

xantrex™ SOLAR

PWM CHARGE CONTROLLER DATASHEET

AVAILABLE IN:
30A



CLEAN DESIGN, EASY-TO-USE, PERFECT FOR BEGINNER SOLAR SYSTEMS

The Xantrex Solar PWM Charge Controller 30 features a highly-efficient PWM charging mode, designed specifically for an aesthetically clean and integrated look in an RV, boat, and truck. Intuitive and easy-to-program to get your solar system harvesting energy as quickly as possible. Equipped with best-in-class PV array and battery protections and a built-in LCD display providing real-time system data. Optional accessories include a remote battery temperature sensor.



Advanced multi-stage charging technology, Bulk, Absorption, Float, Equalization



Best-in-class PV array and battery protections



Battery types supported: Sealed (AGM), Gel, Flooded, Lithium Iron Phosphate (LiFePO)



Aesthetic flush-mount industrial design

APPLICATIONS:



ELECTRICAL DATA

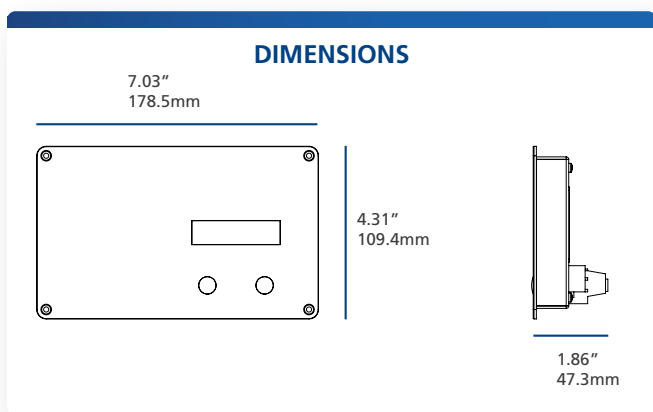
CHARGE CONTROLLER		30A
Part Number		709-3024-01
Nominal System Voltage		12/24V Auto-Detect
Battery Input Voltage Range		8V to 32V
Rated Charge Current		30A
Max. PV Short Circuit Current		30A
Max. PV Open Circuit Voltage		50V
Battery Types Supported		Sealed (AGM) / Gel / Flooded / Lithium Iron Phosphate (LiFePO ₄)
Self-consumption		12V: 4.2mA 24V: 2.6mA
Temperature Compensation Coefficient		-3mV/°C/2V
Grounding		Common negative

ENVIRONMENTAL DATA

CHARGE CONTROLLER		30A
Storage Temperature Range		-30°C to 80°C
Operating Temperature Range		-20°C to 55°C (fully rated output)
Relative Humidity		≤95%, N.C.
Enclosure Protection		IP30

MECHANICAL DATA

CHARGE CONTROLLER		30A
Dimensions		7.03" W x 4.31" H x 1.86" D (178.5mm W x 109.4mm H x 47.3mm D)
Net Weight		0.68lbs / 0.31kg
Max. Cable Size (PV Array and Battery)		0.63in ² (16mm ²) / 6AWG
Recommended Cable Size		0.24in ² (6mm ²) / 10AWG or larger



PRODUCT FEATURES

- Aesthetic flush-mount industrial design
- Advanced multi-stage charging technology, Bulk, Absorption, Float, Equalization, for optimal battery charging
- Intuitive and easy-to-program
- Built-in LCD display – PV Array (Volts, Amps, Watt-hours), Battery (Volts, Temperature)
- Battery types supported: Sealed (AGM), Gel, Flooded, Lithium Iron Phosphate (LiFePO₄)
- Best-in-class PV array and battery protections
- Wide operating temperature range
- Common negative ground design
- Optional remote battery temperature sensor (lead-acid batteries only)

OPTIONAL ACCESSORY



Optimizes battery charging and battery life expectancy

REMOTE BATTERY TEMPERATURE SENSOR (708-0080)



FRONT



BACK