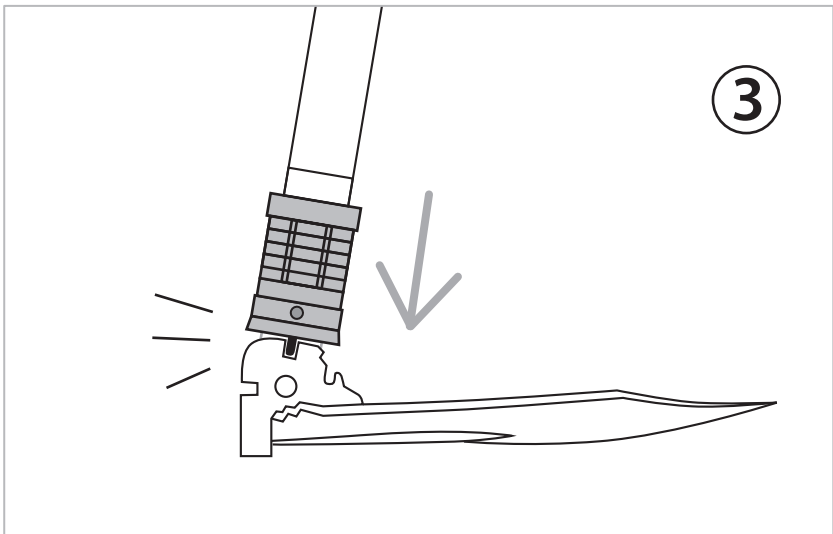
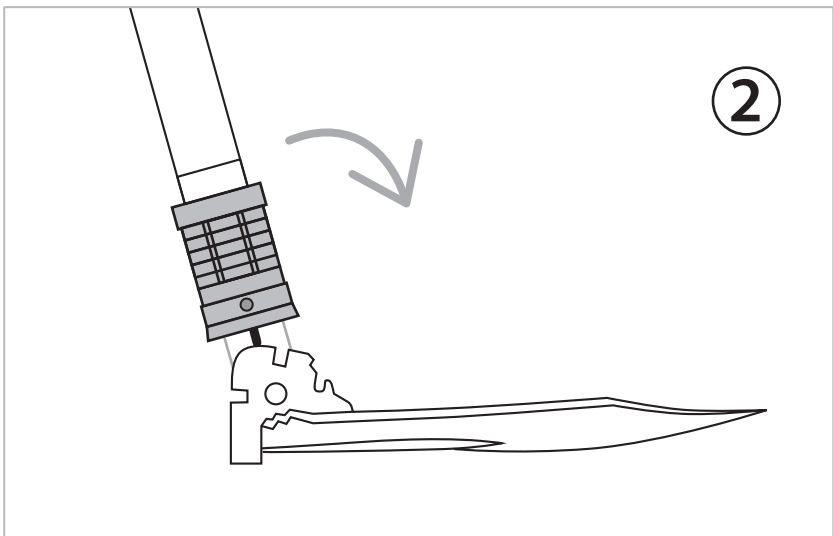
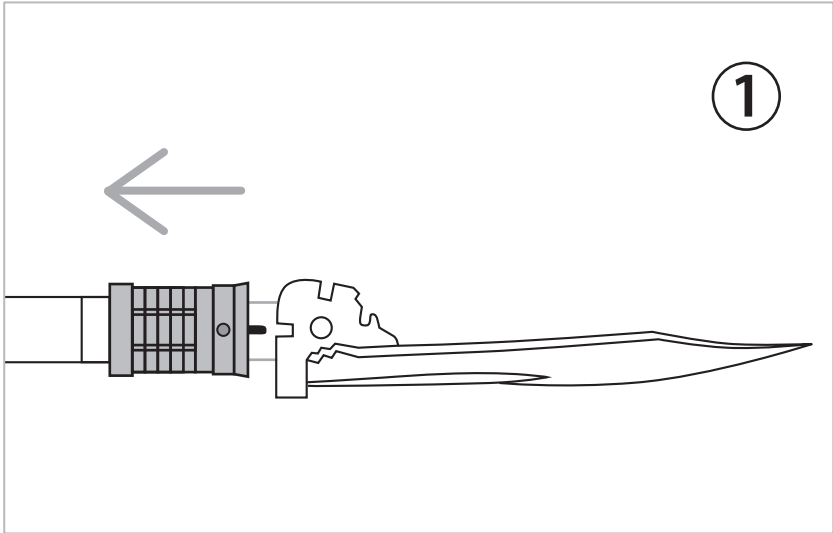






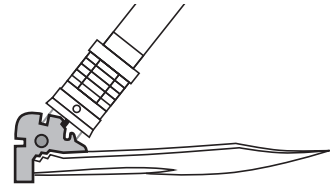

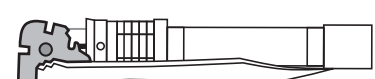



Patented switch mechanism.
Pull the slider to switch mode. Fast and sturdy!



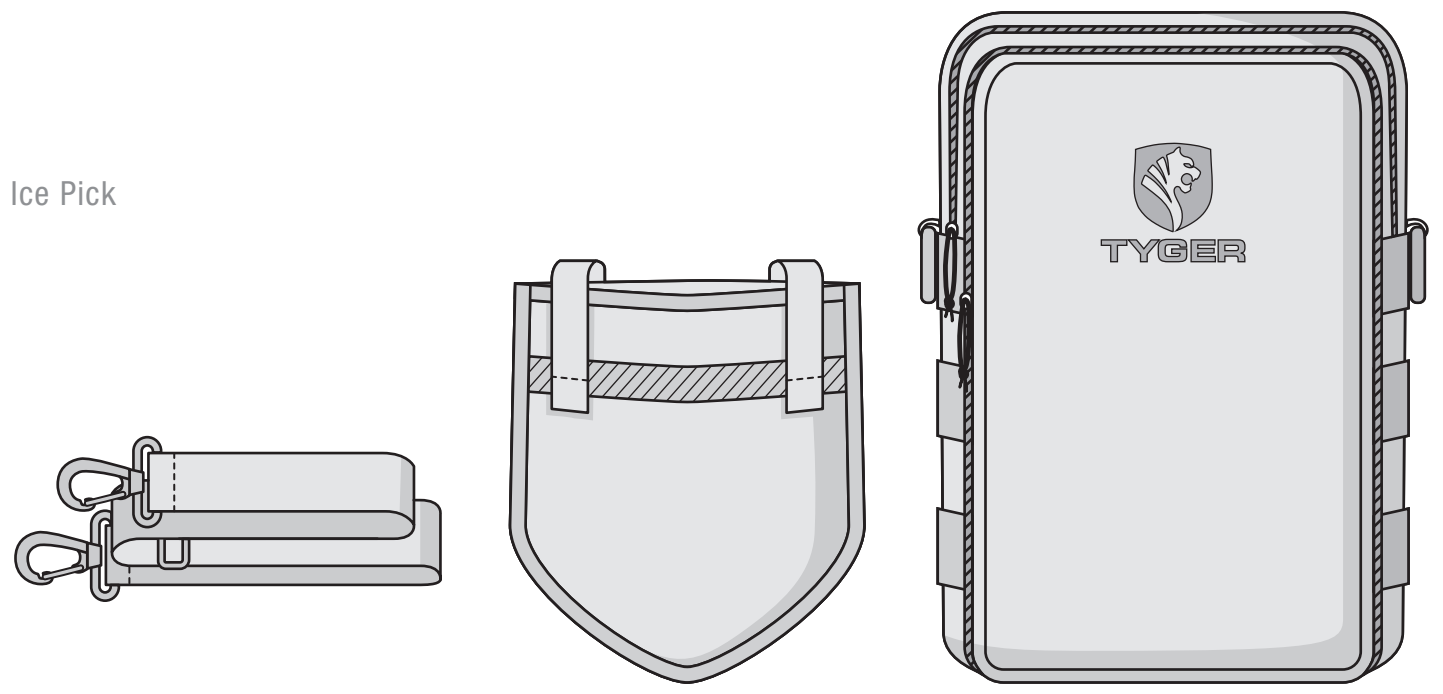
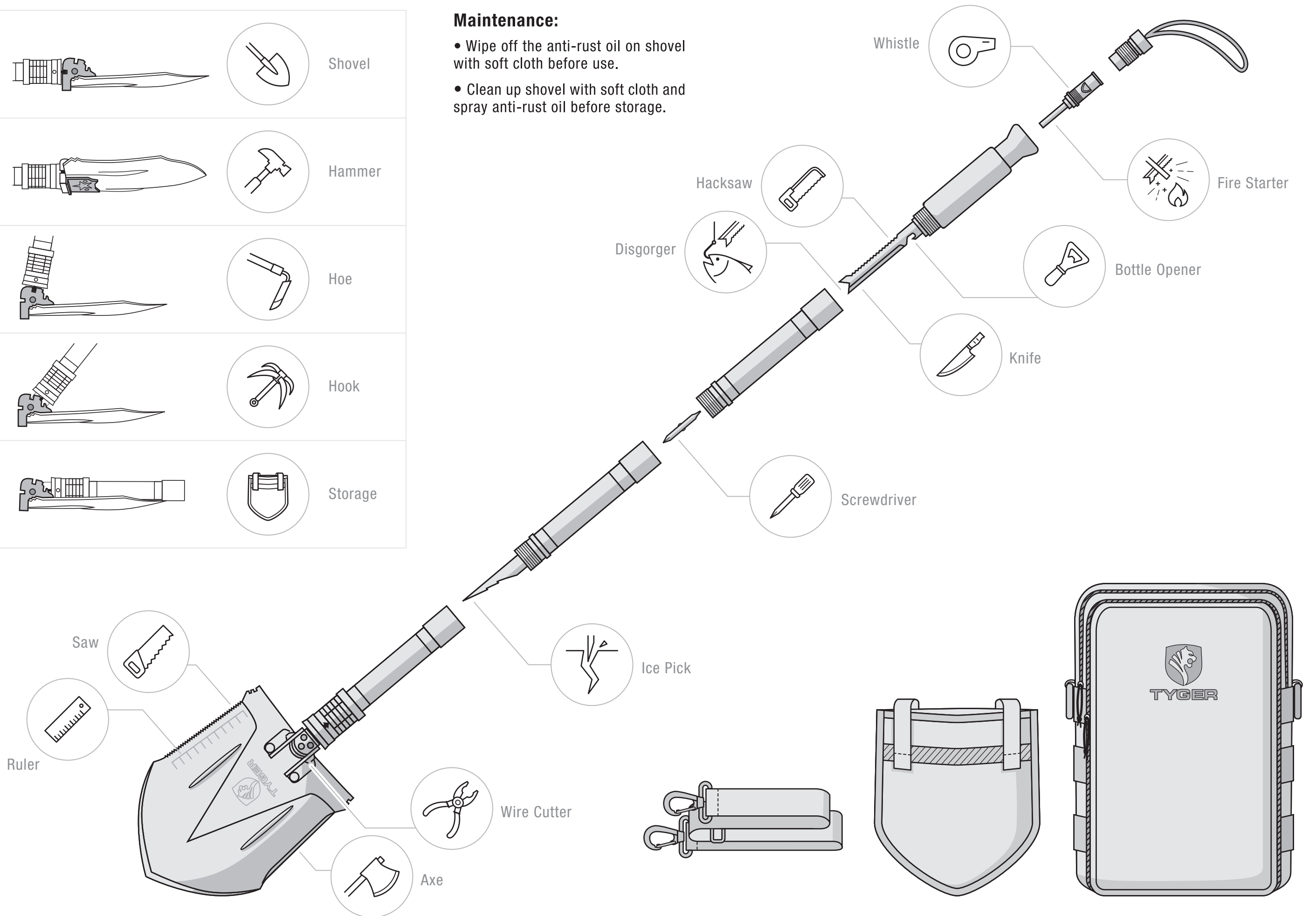
TYGER[®]

SHOVEL
TG-SV8U3217

		Shovel
		Hammer
		Hoe
		Hook
		Storage

Maintenance:

- Wipe off the anti-rust oil on shovel with soft cloth before use.
- Clean up shovel with soft cloth and spray anti-rust oil before storage.



Discover other camp shovels on our website.