


**TRUGLO<sup>®</sup>**

When Brightness Counts<sup>™</sup>

LASER RADIATION - DO NOT STARE INTO THE BEAM OR  
VIEW DIRECTLY WITH OPTICAL INSTRUMENTS  
CLASS 3R LASER PRODUCT  
<5mW 520nm 650nm CW  
Certified to IEC 60825-1 Ed 2, 2007-03



Complies with FDA performance standards for laser products except for  
deviations pursuant to Laser Notice No. 50, dated June 24, 2007  
**Model No:** TG7650G / TG7650R  
**Serial No:**  
**Mfg Date:**

**Green Laser:**  
POWER OUTPUT <1mw  
WAVELENGTH 500-540nm

**Red Laser:**  
POWER OUTPUT <1mw  
WAVELENGTH 630-670nm

COMPLIES WITH 21 CFR 1040.10 AND 1040.11

 **WARNING**

This product is not a toy. Read all warnings and instructions prior to use. Property damage, serious injury or death may result from improper use. Keep out of the reach of children.

 **WARNING**

Laser light is extremely bright and can potentially cause permanent eye damage or interfere with critical operations if improperly used.

**NEVER** look into or stare at the laser beam or its reflection.

**NEVER** point the laser beam at a person or animal.

**NEVER** shine the laser at reflective surfaces.

**NEVER** point the laser beam at any type of moving vehicle, including aircraft. Such actions are unlawful and extremely dangerous.

**NEVER** point the laser beam at a person using binoculars or other magnifying instruments, such as rifle scopes, cameras or telescopes.

**NEVER** remove any safety label from the laser.

**NEVER** attempt to disassemble, repair or modify the laser. Such actions could lead to hazardous exposure.

**! WARNING**

Before you begin, always make sure the weapon is unloaded and safe to handle.

**! WARNING**

Always practice safe handling techniques with any weapon.

**! WARNING**

Once mounted, the weapon will be pointed in the direction of anything illuminated by the laser.

**! WARNING**

Never point the laser at a target you do not intend to shoot.

**! WARNING**

Never engage the trigger until you are ready to fire. The laser can be activated without placing your finger inside the trigger guard.

## On / Off

Constant on: Move the on / off lever to the down position.

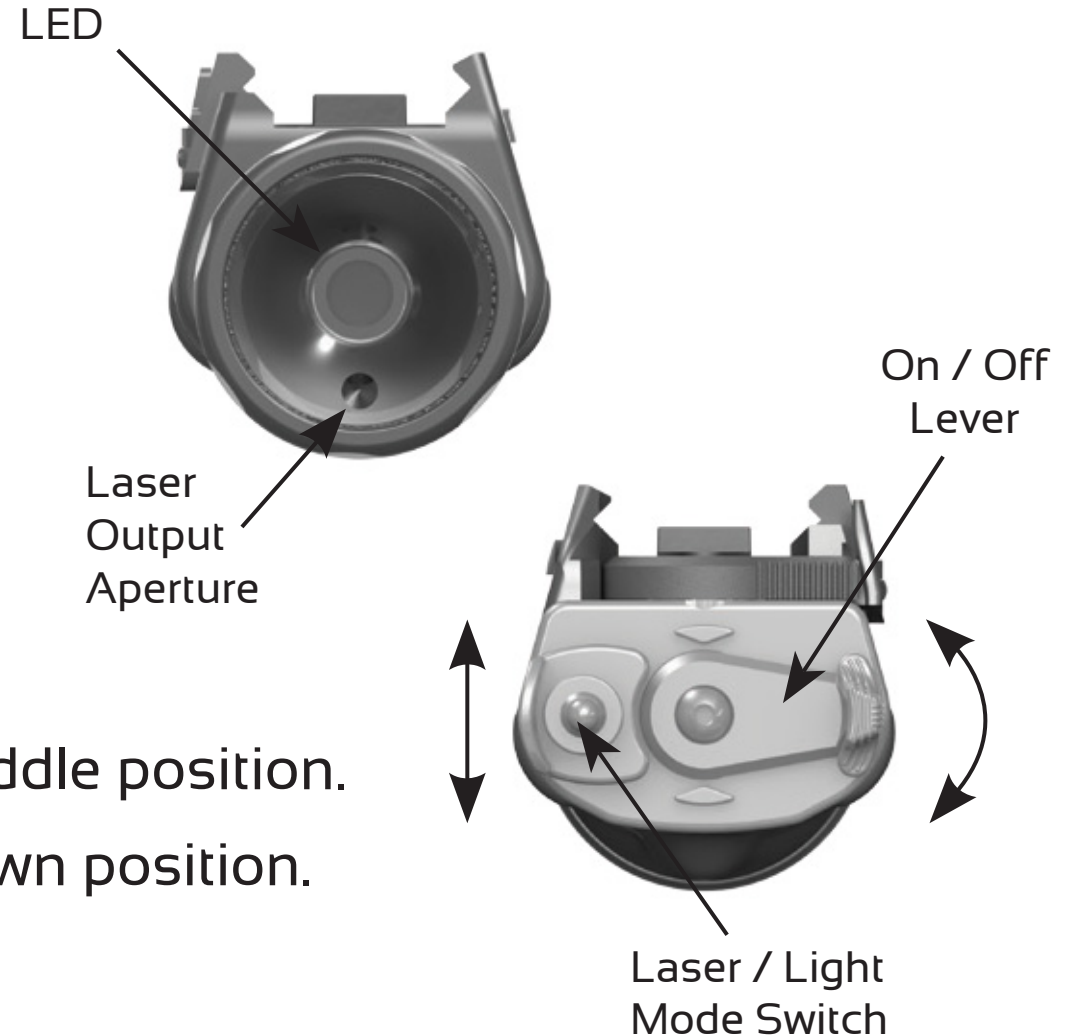
Momentary on: Hold the on / off lever in the up position.

## Laser / Light Modes

Laser only: Move the mode switch to the up position.

Light only: Move the mode switch to the middle position.

Laser and Light: Move the mode switch to the down position.



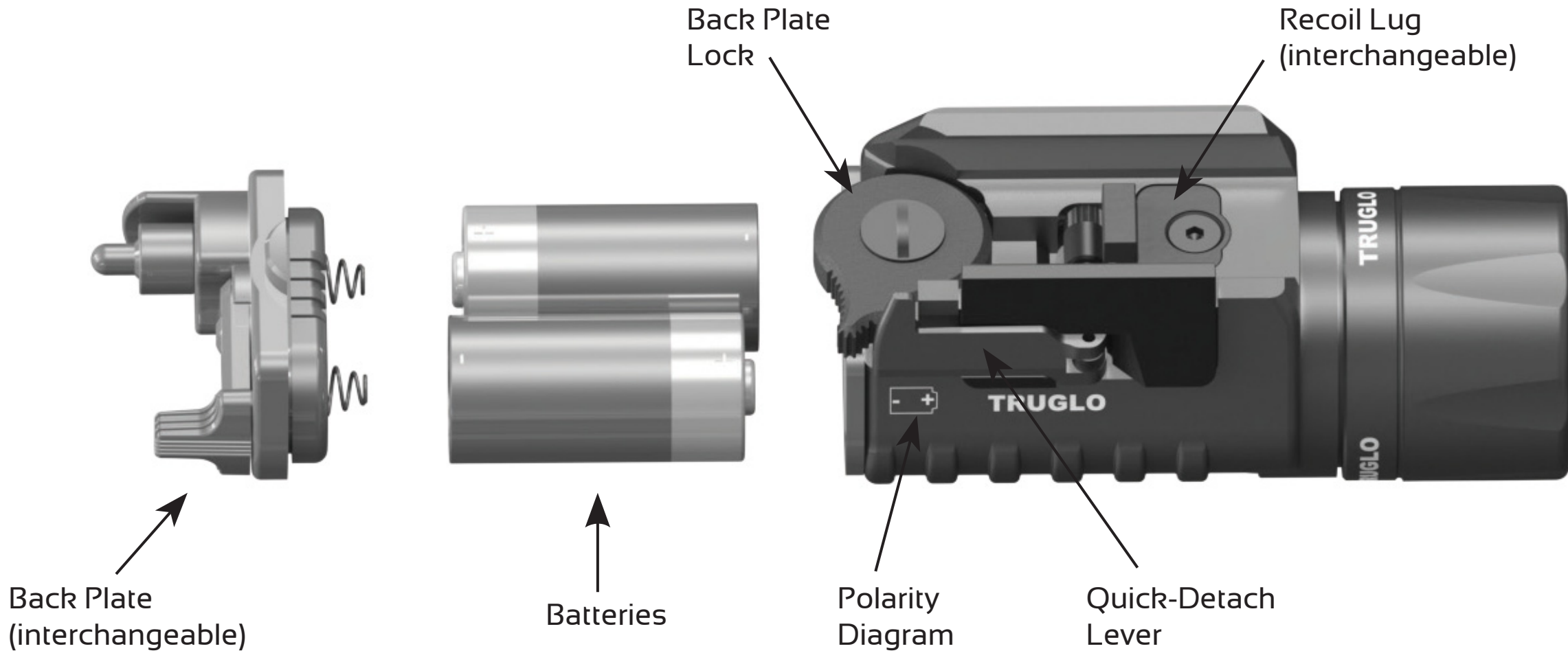
## Battery

- Your laser sight uses two CR123A lithium 3-volt batteries.

To replace batteries:

**CAUTION: CHECK TO MAKE SURE YOUR WEAPON IS UNLOADED.**

- Unlock the Quick-Detach Lever.
- Rotate the Back Plate Lock and remove the Back Plate.
- Replace the batteries (please note the polarity of each battery marked on the outside housing).
- Reinstall the Back Plate and lock in place.



Back Plate  
Lock

Recoil Lug  
(interchangeable)

Back Plate  
(interchangeable)

Batteries

Polarity  
Diagram

Quick-Detach  
Lever

## Mounting

### **CAUTION: CHECK TO MAKE SURE YOUR WEAPON IS UNLOADED.**

- Your laser sight has integrated mounting rails that attach to a standard Weaver-style base or Picatinny rail.
- Unlock the Quick-Detach Lever and set the laser sight onto the mounting base of the weapon.
- The Recoil Lug should fit into one of the grooves in the top of the mounting base. Be sure the laser sight is fully seated before locking the Quick-Detach Lever.

### **PLEASE NOTE:**

- It may be necessary to interchange the Recoil Lug.
- Two additional Recoil Lugs are included. These can be used to fit a majority of firearm/rail configurations.



- To replace the Recoil Lug, use the included 2mm hex wrench.

### **Left-Handed Back Plate**

1. Unlock the Quick-Detach Lever.
2. Rotate the Back Plate Lock and remove the Back Plate.
3. Install the Left-handed Back Plate and lock in place.

### **Remote Pressure Switch**

1. Unlock the Quick-Detach Lever.
2. Rotate the Back Plate Lock and remove the Back Plate.
3. Install the Remote Pressure Switch and lock in place.

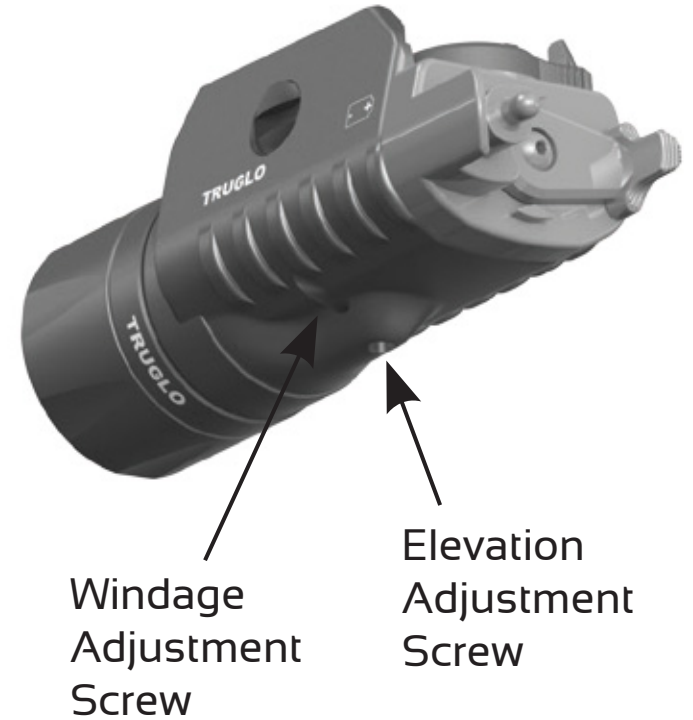
## **ZEROING (windage and elevation adjustments)**

Please note that the laser has been pre-set at the factory to be aligned with the mounting base of the laser sight. Only minor windage and elevation adjustments should be required.

If significant adjustments are necessary, please make sure the laser sight is properly mounted or adjust the mounting base. The maximum adjustment is approximately 10 inches in all directions at 30 feet. Insufficient adjustment is not a defect with the laser sight.

**CAUTION: ALWAYS USE EYE AND EAR PROTECTION. SHOOT ONLY AT AN APPROVED SHOOTING RANGE OR A SUITABLE SAFE AREA.**

- After carefully firing at the target, **CHECK TO MAKE SURE YOUR WEAPON IS UNLOADED.**
- Make any necessary adjustments to the W/E adjustment screws using the included 1.25mm allen wrench.
- Turning the Windage Adjustment Screw clockwise moves the POI to the left.
- Turning the Elevation Adjustment Screw clockwise moves the POI down.
- Do not over-adjust the windage or elevation adjustment screws. Stop turning if you feel any resistance.



Looking for weapon lights? Visit our website.