

CARBON HYBRID™

Windage Adjustment (Left/Right)

1. Loosen the "windage lock" and adjust the pins to "centershot". Retighten the lock.
2. Always retighten the "windage lock" prior to shooting (do not over-tighten).

Elevation Adjustment (Up/Down)

1. Loosen the "elevation lock" and adjust the pins up or down.
2. Always retighten the "elevation lock" prior to shooting (do not over-tighten).

Reversible Mounting Bracket

(for additional elevation adjustment)

1. Loosen the "windage lock".
2. Slide the bracket from the windage plug.
3. Flip the bracket so the "windage lock" points down. Reassemble.

Left/Right-Hand Adjustment

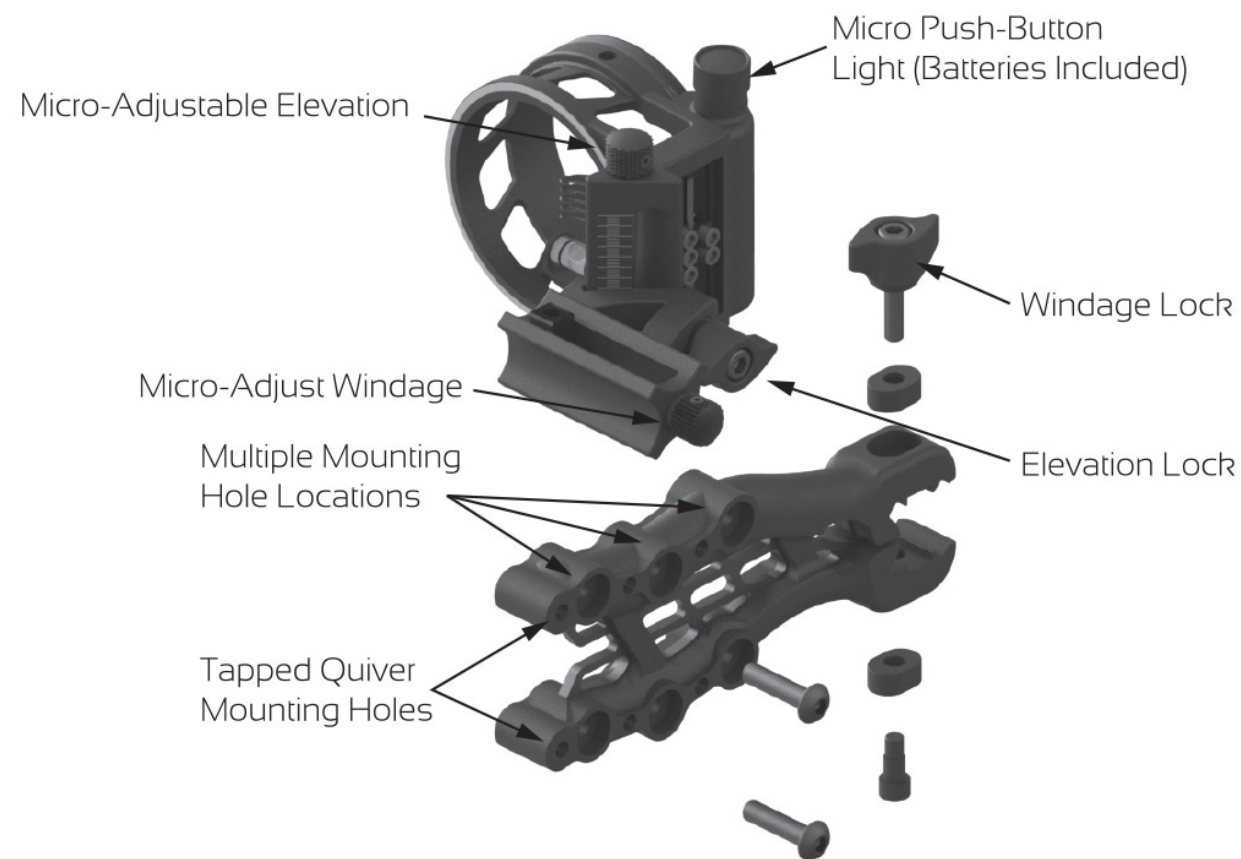
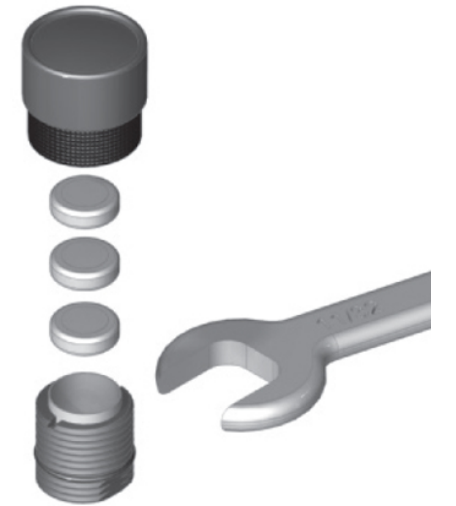
1. If necessary, the bracket can be reversed.
2. The level can be popped out and reglued in the top of the aperture.
3. The windage lock can be reversed.

Optional LED Light Installation

1. Mount light in threaded hole on bracket (see illustration).

To Replace Batteries:

1. Locate the two flats on the threaded section of the light (see illustration).
2. Use a wrench to unscrew the battery compartment.
3. Replace all three batteries with the "Plus +" sides down (SR60 equivalents include 364 and SR621 watch batteries).
4. Do not over-tighten.



WARNING: Failure to follow instructions and warnings could cause serious injury. Always wear eye protection when using archery equipment and never dry fire a bow. Prior to use, always make sure your equipment is in good working condition (screws are tight, etc.). Before firing a bow, make sure nothing is in the path of the arrow or beyond the target (an adequate safety zone must be maintained). Always begin shooting at a relatively close distance to your target in order to first verify the accuracy of your equipment.