

ARCHER'S CHOICE® RANGE ROVER™ PRO

Initial Windage Setup

1. Loosen the windage lock and adjust the pin to centershot.
2. Retighten the windage lock (a hex key can be used, but please do not over-tighten).

Initial Elevation Setup

1. Move the yardage adjustment arm all the way down and tighten the yardage lock screw (the aperture should be in its highest position).
2. The yardage pointer should now be aligned with the 20-yard mark on the pre-installed yardage tape.
3. Loosen the elevation screws and vertically adjust the aperture until sighted in at 20 yards (do not move the yardage adjustment arm during this step). Retighten the elevation lock screws (do not over-tighten).

4. Pick a second yardage distance (40 yard minimum is recommended) and sight in the pin by moving the yardage adjustment arm up.
5. When the second distance is sighted in, place a mark on the yardage tape and move back the adjustment arm to the 20-yard position.
6. Carefully match the two yardage marks (e.g., 20 and 40 yards) with the pre-printed tapes.
7. Carefully install the new tape on the bracket. Be sure to match the 20-yard mark on the new tape with the pointer setting in its lowest position (20-yard position).
8. It is recommended that you confirm the accuracy of the pre-printed tape for all distances that you intend to shoot.
9. Install the adjustable yardage stop (see warning below).

WARNING: ADJUSTABLE YARDAGE STOP MUST BE INSTALLED.

The adjustable yardage stop must be installed and positioned to limit the downward movement of the aperture. You must make sure that

the aperture does NOT obstruct the path of the arrow when the aperture is in its lowest position. This could cause serious injury and damage to your equipment.

Left-hand Adjustment

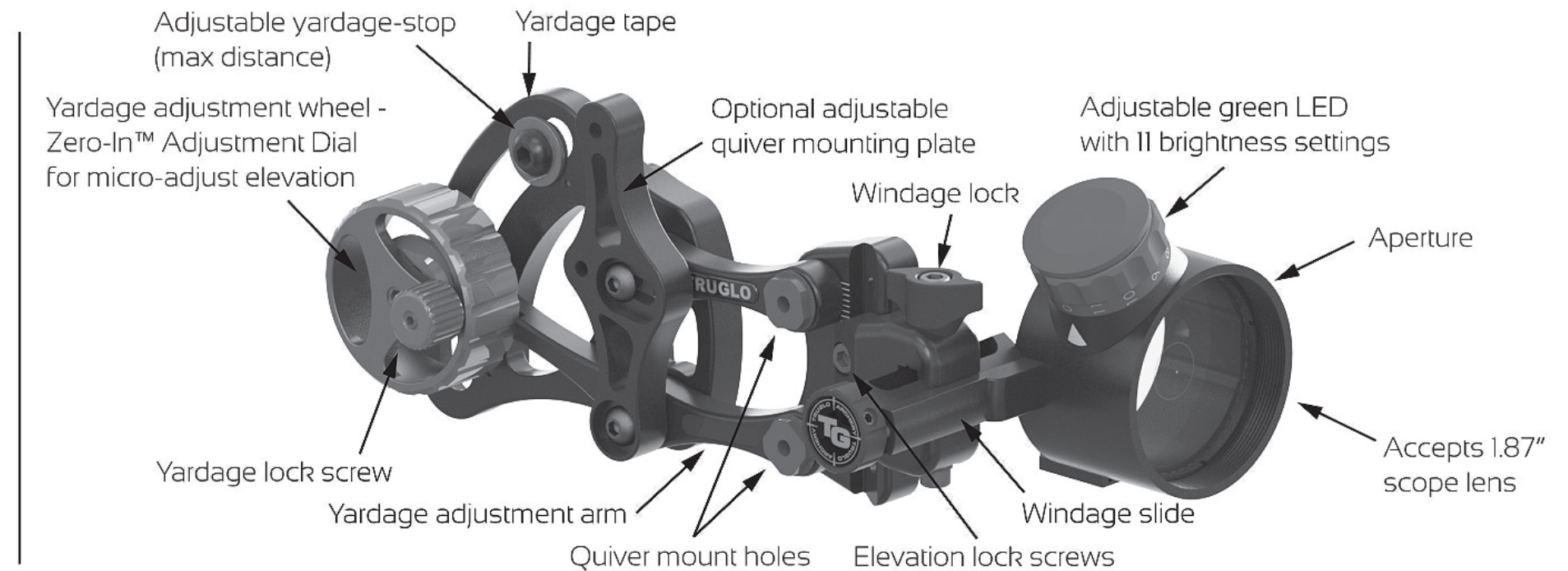
1. Flip the bracket upside down.
2. Remove the screw from the windage slide, rotate the aperture 180 degrees and re-install the screw on the opposite side of the aperture (do not over-tighten).
3. Re-install the adjustable yardage stop.

Quiver Mounting

1. Quiver can be mounted directly to the bracket using the two threaded quiver mounting holes. (see illustration)
2. The optional quiver mounting plate can also be used for greater mounting options. (see illustration)

To Replace Batteries:

1. Unscrew the battery cover.
2. Install the CR2032 battery "+" side out.
3. Replace battery cover.



WARNING: Serious bodily injury or property damage can occur if your equipment is not installed or used properly. Before shooting, verify that there is adequate clearance between the arrow and the archery sight. This is especially important when the aperture is adjusted to its lowest position (the maximum distance setup). The adjustable yardage stop must be installed and positioned to limit the downward movement of the aperture. You must make sure that the aperture does NOT obstruct the path of the arrow. It is recommended that a qualified archery equipment technician install and inspect your archery equipment prior to shooting.

When it comes to quality archery products, Truglo is the brand you can depend on.