



THE GOAT

TRIGGER MODE ADJUSTMENT INSTRUCTIONS:

- INSURE RELEASE IS IN TRIGGER MODE -

TRAVEL ADJUSTMENT INSTRUCTIONS

- 1) TO ADJUST TRAVEL, PLEASE NOTE THAT THERE SHOULD BE RESISTANCE FROM THE TRAVEL LOCK SCREW FELT WHEN YOU ARE ADJUSTING THE TRAVEL ADJUSTMENT SCREW **A**. IF TRAVEL ADJUSTMENT SCREW **A** FEELS LOOSE THEN TIGHTEN THE LOCK SCREW **CLOCKWISE** UNTIL THE TRAVEL ADJUSTMENT SCREW FEELS STIFF.
- 2) DEPRESS COCKING BAR TO COCK WHILE KEEPING FINGERS AWAY FROM TRIGGER.
- 3) TURN TRAVEL SCREW **A** SLOWLY **CLOCKWISE** UNTIL THE RELEASE FIRES. THEN TURN TRAVEL SCREW **A** **COUNTER-CLOCKWISE** (OUT) 1/4 TURN FOR A SAFE SETTING.
- 4) TO INSURE SETTING IS SAFE, REPEAT STEPS 2 AND 3.

SENSITIVITY ADJUSTMENT INSTRUCTIONS

- 1) TO ADJUST SENSITIVITY, PLEASE NOTE THAT THERE SHOULD BE RESISTANCE FROM THE SENSITIVITY LOCK SCREW FELT WHEN YOU ARE ADJUSTING THE SENSITIVITY ADJUSTMENT SCREW **B**. IF SENSITIVITY ADJUSTMENT SCREW FEELS LOOSE THEN TIGHTEN THE LOCK SCREW **CLOCKWISE** UNTIL THE SENSITIVITY ADJUSTMENT SCREW FEELS STIFF.
- 2) TURNING SENSITIVITY ADJUSTMENT SCREW **B** **CLOCKWISE (IN)** 1/4 TURN INCREMENTS WILL MAKE THE TRIGGER SENSITIVITY HEAVIER. FOR LIGHTEST SETTING, MAXIMUM SCREW POSITION IS 1/16" ABOVE HANDLE. *NEVER COMPLETELY REMOVE SENSITIVITY SCREW, TO INSURE LOCK PATCH DOES NOT FALL OUT INSIDE RELEASE.*

NOTE: COUNTER CLOCKWISE ADJUSTMENT WILL MAKE THE TRIGGER SENSITIVITY LIGHTER

NOTE: TURNING SENSITIVITY ADJUSTMENT SCREW IN CLOCKWISE TOO FAR MIGHT RESULT IN A RELEASE THAT WILL NOT COCK.

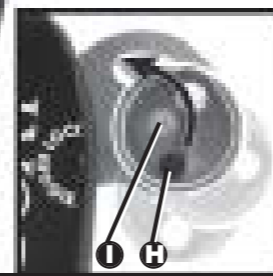
NOTE: WHENEVER TURNING THE SENSITIVITY SCREW COUNTER-CLOCKWISE (OUT), ALWAYS RESET YOUR TRAVEL ADJUSTMENT PER TRAVEL ADJUSTMENT INSTRUCTIONS

NOTE: NEVER COMPLETELY REMOVE ANY ADJUSTMENT SCREWS TO INSURE LOCK PATCH DOES NOT FALL OUT INSIDE RELEASE.



MULTI-POSITION OFFSET TRIGGER THUMB BARREL

NOTE: INSURE SCREW **D IS LOOSENED COUNTER-CLOCKWISE TO INSTALL DOWEL PIN BY HAND WHEN TRANSFORMING TO TRIGGER MODE. DO NOT USE HAMMER TO INSTALL DOWEL PIN.**



ADJUSTING MULTI-POSITION OFFSET TRIGGER THUMB BARREL

2 OPTIONAL CONNECTIONS FOR THUMB BARREL. INSTALL USING HOLE **H** FOR MAXIMUM OFFSET ADJUSTMENT. INSTALL USING HOLE **I** FOR MINIMUM OFFSET ADJUSTMENT. TEARDROP EXTENSION INCLUDED IN PACKAGE.

HINGE MODE ADJUSTMENT INSTRUCTIONS:

- INSURE RELEASE IS IN HINGE MODE -

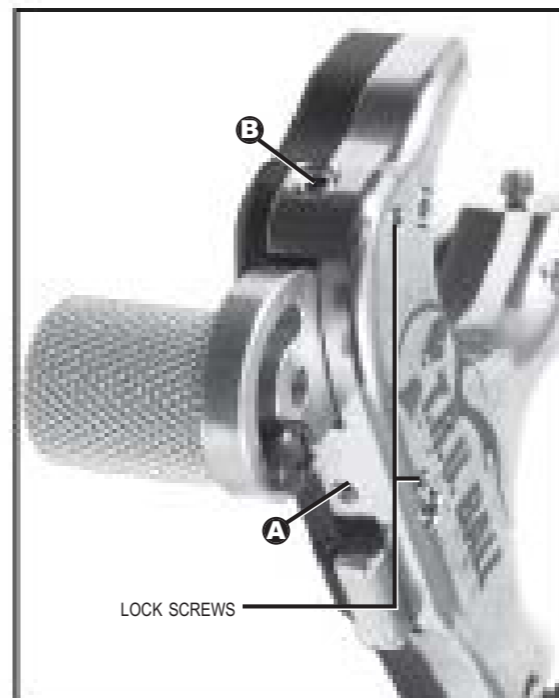
- 1) LOOSEN SEAR LOCK **D** BY TURNING IT COUNTER-CLOCKWISE 3/4 OF A TURN OR UNTIL IT STOPS.
- 2) TURN MICRO-ADJUST SCREW **C** **CLOCKWISE** FOR LESS HINGE TRAVEL (HOTTER)
- 3) TURN MICRO-ADJUST SCREW **C** **COUNTER-CLOCKWISE** FOR MORE HINGE TRAVEL.
- 4) LOCK SEAR LOCK **D** **CLOCKWISE** UNTIL TIGHT, LOCKING THE SEAR IN ITS NEW POSITION.

ADJUSTMENT PROCEDURE: UNLOCK SEAR LOCK — MICRO-ADJUST — LOCK SEAR LOCK

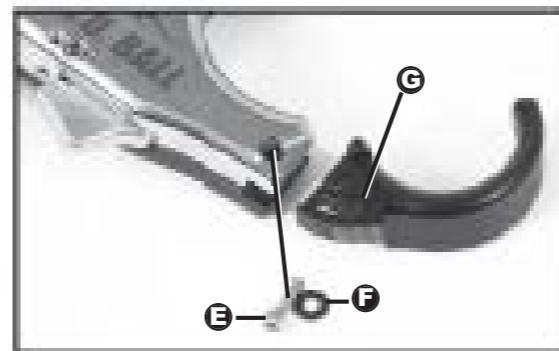
CHECK ALL SCREWS ON RELEASE TO INSURE TIGHTNESS BEFORE EACH USE. THINK AND ACT SAFELY!

WARNING:

- * NEVER DRAW BOW WITHOUT AN ARROW!
- * ALWAYS POINT BOW AT A SAFE TARGET! NEVER POINT BOW IN AN UNSAFE DIRECTION!
- * DO NOT LET GO OF THIS RELEASE DURING THE SHOT PROCESS!
- * NEVER PULL THE RELEASE TOWARD FACE WHEN DRAWING BOW!
- * INSPECT EQUIPMENT BEFORE USE TO INSURE PROPER OPERATING CONDITION!
- * FAILURE TO FOLLOW THESE WARNINGS COULD RESULT IN EQUIPMENT DAMAGE OR INJURY!
- * THINK AND ACT SAFELY!



LOCK SCREWS



ULTRA-FLEX PERSONALIZED FIT SYSTEM: ADDING AND REMOVING FINGER PIECES

USE A 5/64" HEX WRENCH TO REMOVE SCREW **E**. NOTE: SMALL WASHER IS CONTAINED IN INNER POCKET **G** BE CAREFUL NOT TO LOSE WASHER. INSTALL DESIRED FINGER PIECE/PIECES. INSURE SMALL WASHER **F** IS INSTALLED INTO THE CLOSED END OF INNER POCKET **G**. PUSH FINGER PIECE ALL THE WAY INTO THE HANDLE. INSURE SCREW **E** PASSES THROUGH WASHER **F** AND RETIGHTEN. **WARNING: DO NOT OVERTIGHTEN!**