



Brilliant Aiming Solutions™



TABLE OF CONTENTS

Company

Trijicon® History	4
The Science of Brilliant®	6

Magnified Optics

ACOG®	10
VCOG®	24
AccuPoint®	30
Huron™	40
Ascent™	46
Credo™	50
Credo™ HX	58
Tenmile™	64
Tenmile™ HX	70

Reflex

RMR®	78
SRO®	84
MRO®	88
Trijicon® Reflex	94
MGRS®	98

Iron Sights

Trijicon® Fiber	105
Bright & Tough™	106
Bright & Tough™ Suppressor	107
HD™	108
HD XR™	109
TrijiDot®	112

Electro Optics

REAP-IR®	118
IR-HUNTER®	122
SNIPE-IR®	126
IR-PATROL®	130

Archery

AccuPin®	138
ACOG® XB	142

Customer Care

Warranty	147
Returns/Repairs	148
Export Controls	148
Contact Information	149



FOR THOSE WHO DEFEND FREEDOM.

AND THOSE WHO ENJOY IT.



Since the company's founding in 1981, Trijicon® has led the industry in the development of superior any-light aiming systems. We support shooting and hunting enthusiasts around the world, as well as the U.S. government and allies, and state and local law enforcement agencies. We currently supply the Official Rifle Combat Optic (RCO) of the U.S. Marine Corps and the official Miniature Aiming System Day Optic for USSOCOM.

COMPANY HIGHLIGHTS

- 1981** Company founded
- 1985** World's first tritium-reticle riflescope and world's first commercially available tritium-illuminated iron sights
- 1988** Bright & Tough™ Night Sights adopted by the FBI
- 1992** ACOG 3.5x35 introduced with the Bindon Aiming Concept (BAC)
- 1995** USSOCOM chooses ACOG® TA01 as the official scope for M4 carbines
- 1998** AccuPoint® 3-9x40 dual-illuminated riflescope launches for hunters
- 2005** U.S. Marine Corps chooses the ACOG® TA31RCO as their Rifle Combat Optic (RCO)
- 2007** U.S. Army chooses the Trijicon ACOG® 4x32 RCO as a field carry optic
- 2009** Trijicon RMR® named "Optic of the Year" by Firearms Marketing Group
- 2011** HD™ Night Sights and AccuPin® Bow Sight system introduced
- 2013** VCOG® 1-6x24 riflescope launches
- 2015** *Guns & Ammo* magazine awards the MRO® "Optic of the Year."
- 2016** HD XR™ Night Sights launched
- 2017** Trijicon celebrates the 1 millionth ACOG® 4x32 riflescope and launches Electro Optics line
- 2019** Trijicon launches SRO® red dot and VCOG® 1-8x28
- 2020** Trijicon expands variable powered riflescope offerings by launching Huron™, Ascent™, Credo™, Credo™ HX, Tenmile™, and Tenmile™ HX families.

THE SCIENCE OF BRILLIANT®

Like our founder, Glyn Bindon, we are engineers at heart—bound by a commitment to industry-leading research, design, and testing to seek innovative aiming solutions that constantly redefine “brilliant.” This legacy of innovation is fed by what we call The Science of Brilliant®, which is supported by three unwavering principles:

- 1 **Our unique heritage of innovation:** From the ACOG® to the Bindon Aiming Concept
- 2 **Industry-leading durability:** What we’ve learned from decades of deployment
- 3 **A commitment to craftsmanship:** A strict adherence to exact tolerances, ISO certifications, and optical perfection



INDUSTRY-LEADING DURABILITY



Alaska-to-Africa Temperature Tested

We perform an “Alaska-to-Africa” temperature shock test on each design with temperatures from -20°F to 140°F.

Solid Zero Tested

Riflescope zero is measured on each design after at least 1,000; 3,000; and 5,000 consecutive rounds to ensure no reticle shift has occurred and precision is maintained.

Drop Tested

We drop test every riflescope design to check for durability. Because we don’t believe every drop should be followed by a warranty claim.

Shock & Vibration Tested

Every model is tested to withstand recoil and vibrational stresses without performance degradation or malfunction, so it can take a beating before, during, and after use.

Immersion Tested

To ensure our products are protected from harsh environmental conditions, we fill them with dry nitrogen and conduct an immersion test on each optic design to ensure no fogging or leaks.



MAGNIFIED OPTICS



ACOG®



VCOG®



AccuPoint®



»NEW Huron™



»NEW Ascent™



»NEW Credo™



»NEW Credo™ HX



»NEW Tenmile™



»NEW Tenmile™ HX



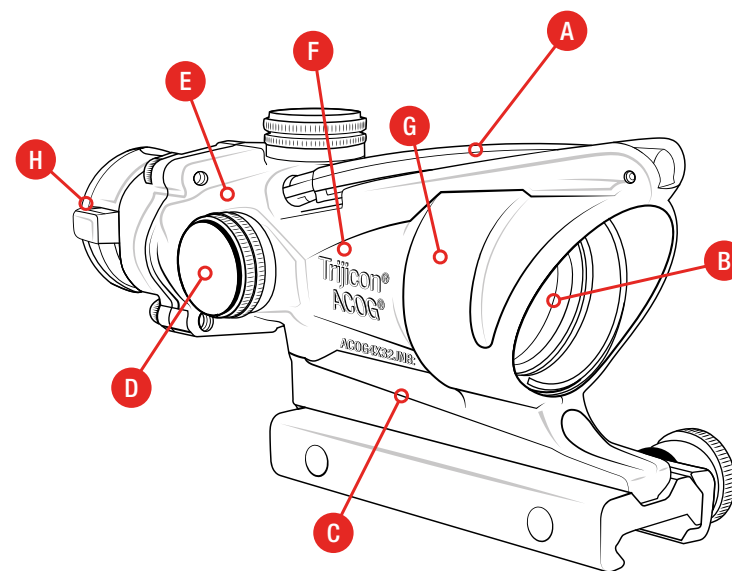
Trijicon ACOG®

THE SCOPE THAT CHANGED EVERYTHING

There's a reason the Trijicon ACOG® (Advanced Combat Optical Gunsight) is the official medium-distance engagement optic of the U.S. Marine Corps and U.S. Special Operations Forces. And why more than one million have been produced. Each one is specifically engineered to provide increased hit potential in all lighting conditions, while also providing legendary durability and reliability.

Features and Benefits

- A Always On, Always Ready**
Most ACOG® models are battery-free, featuring a tritium/fiber optic-illuminated reticle that automatically adjusts the brightness based on available light.
- B Outstanding Clarity**
The quality of the glass and multi-coated lenses maximizes light-gathering capabilities and clear field of view with zero distortion.
- C Rugged Aluminum-Alloy Housing**
Fixed-power design allows for minimal moving parts to create a nearly indestructible sighting system.
- D Exact Target Distances & Holds**
Most ACOG models feature a bullet drop-compensating and target-ranging reticle for decisive aiming.
- E Combat Proven**
No other magnified optic has been used more in combat than the ACOG.
- F Shock-Resistant**
Proven to withstand recoil from a .22LR to a .50BMG and everything in between. Easily passes U.S. Military drop test requirements.
- G Waterproof**
Exceptional waterproof performance. Dry nitrogen-filled to eliminate fogging and tested to perform in both extreme cold and heat.
- H "Both Eyes Open" Design**
Can be used as a CQB sight when shooting "both eyes open" using the Bindon Aiming Concept.





	1.5x16S (TA44 Series)	1.5x24 (TA45 Series)	2x20 (TA47 Series)
Magnification	1.5x	1.5x	2x
Objective Lens	16mm	24mm	20mm
Eye Relief	2.4 in. 61.0mm	3.6 in. 91.4mm	2.1 in. 53.3mm
Exit Pupil	0.42 in. 10.7mm	0.63 in. 16.0mm	0.39 in. 10.0mm
Field of View (Degrees)	7.4°	4.9°	5.6°
Field of View	39.0 ft. @ 100 yd. 12.9m @ 100m	25.6 ft. @ 100 yd. 8.6m @ 100m	29.3 ft. @ 100 yd. 9.8m @ 100m
Adjustments (Per in. @ 100 yd.)	2 Clicks	2 Clicks	2 Clicks
Dimensions (L x W x H) Without Mount	4.0 x 1.6 x 2.1 in. 102 x 42 x 53mm	5.8 x 1.6 x 2.1 in. 147 x 42 x 53mm	5.3 x 1.6 x 2.1 in. 135 x 42 x 53mm
Weight Without Mount	5.1 oz. 144.5g	6.3 oz. 179.1g	6.4 oz. 180.6g
Illumination Source	Fiber Optics & Tritium	Fiber Optics & Tritium	Fiber Optics & Tritium
Battery Life	N/A	N/A	N/A
Reticle Calibration	N/A	N/A	N/A



	3x24 (TA50 Series)	3x30 (TA33 Series)	3.5x35 (TA11 Series)	3.5x35 LED (TA110 Series)
Magnification	3x	3x	3.5x	3.5x
Objective Lens	24mm	30mm	35mm	35mm
Eye Relief	1.4 in. 35.6mm	1.9 in. 48.3mm	2.4 in. 61.0mm	2.4 in. 61.0mm
Exit Pupil	0.31 in. 8.0mm	0.33 in. 8.4mm	0.39 in. 10.0mm	0.39 in. 10.0mm
Field of View (Degrees)	4.9°	3.7°	5.5°	5.5°
Field of View	25.6 ft. @ 100 yd. 8.6m @ 100m	19.3 ft. @ 100 yd. 6.5m @ 100m	28.9 ft. @ 100 yd. 9.6m @ 100m	28.9 ft. @ 100 yd. 9.6m @ 100m
Adjustments (Per in. @ 100 yd.)	2 Clicks	4 Clicks	3 Clicks	2 Clicks per in. @ 100m
Dimensions (L x W x H) Without Mount	5.0 x 1.8 x 2.1 in. 127 x 46 x 53mm	6.1 x 1.6 x 2.1 in. 155 x 42 x 53mm	8.0 x 2.1 x 2.9 in. 203 x 53 x 73mm	8.0 x 3.0 x 2.6 in. 203 x 76 x 66mm
Weight Without Mount	6.1 oz. 173g	7.8 oz. 221.1g	14 oz. 397g	16.8 oz. 476.3g
Illumination Source	Fiber Optics & Tritium	Fiber Optics & Tritium	Fiber Optics & Tritium	LED Powered by a AA Battery
Battery Life	N/A	N/A	N/A	12,000 hours* +
Reticle Calibration	.223 / 7.62x39	.223 / .308 / 7.62x39 / 300 BLK	.223 / .308 / M193 / 300 BLK	.223 / .308

*When used at 70°F (21°C) on setting 4 of 6 with supplied alkaline battery. Extreme temperatures (high or low) will affect battery performance.



	4x32 (TA01)	4x32 BAC (TA31)	4x32 LED (TA02)
Magnification	4x	4x	4x
Objective Lens	32mm	32mm	32mm
Eye Relief	1.5 in. 38.1mm	1.5 in. 38.1mm	1.5 in. 38.1mm
Exit Pupil	0.32 in. 8.1mm	0.32 in. 8.1mm	0.32 in. 8.1mm
Field of View (Degrees)	7.0°	7.0°	7.0°
Field of View	36.6 ft. @ 100 yd. 12.2 @ 100m	36.6 ft. @ 100 yd. 12.2 @ 100m	36.6 ft. @ 100 yd. 12.2 @ 100m
Adjustments (Per in. @ 100 yd.)	2 Clicks	2 Clicks	2 Clicks per in. @ 100m
Dimensions (L x W x H) Without Mount	5.8 x 2.0 x 2.3 in. 147 x 51 x 58mm	5.9 x 2.0 x 2.5 in. 150 x 51 x 64mm	6.0 x 2.9 x 2.5 in. 153 x 74 x 64mm
Weight Without Mount	10.9 oz. 309g	10.5 oz. 297.5g	14.3 oz. 406g
Illumination Source	Tritium Only	Fiber Optics & Tritium	LED Powered by a AA Battery
Battery Life	N/A	N/A	12,000 hours* +
Reticle Calibration	.223 / .308	.223 / .308 / M193 / 300 BLK / 6.8 SPC	.223 / 300 BLK

	5.5x50 (TA55)	6x48 (TA648)
	5.5x	6x
	50mm	48mm
	2.2 in. 55.9mm	2.7 in. 68.6mm
	0.36 in. 9.1mm	0.32 in. 8.1mm
	3.5°	3.3°
	18.3 ft. @ 100 yd. 6.1m @ 100m	17.3 ft. @ 100 yd. 5.8m @ 100m
	5 Clicks	4 Clicks
	12.0 x 2.5 x 2.7 in. 305 x 64 x 69mm	9.0 x 2.9 x 3.4 in. 229 x 74 x 86mm
	25.6 oz. 725.8g	36.9 oz. 1046.1g
	Fiber Optics & Tritium	Fiber Optics & Tritium
	N/A	N/A
	.223 / .308	.223 / .308 / .50 BMG

*When used at 70°F (21°C) on setting 4 of 6 with supplied alkaline battery. Extreme temperatures (high or low) will affect battery performance.

1.5x16S

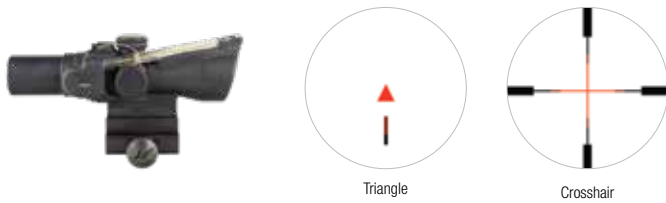


Circle Dot

Tritium/Fiber Optic Illuminated Circle / 2 MOA Center Dot Reticle (Black Finish)

Standard Height:	■ TA44-C-400141	■ TA44-C-400140	■ TA44-C-400138
Low Height:	■ TA44-C-400241	■ TA44-C-400243	■ TA44-C-400242

1.5x24



Triangle

Crosshair

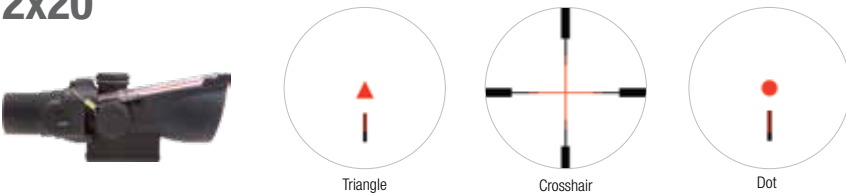
Tritium/Fiber Optic Illuminated 8 MOA Triangle Reticle with Thumbscrew Mount (Black Finish)

Standard Height:	■ TA45-C-400156	■ TA45-C-400153
------------------	-----------------	-----------------

Tritium/Fiber Optic Illuminated Crosshair Reticle with Thumbscrew Mount (Black Finish)

Standard Height:	■ TA45-C-400157	■ TA45-C-400154
------------------	-----------------	-----------------

2x20



Triangle

Crosshair

Dot

Tritium/Fiber Optic Illuminated 9.2 MOA Triangle Reticle (Black Finish)

Standard Height:	■ TA47-C-400150	■ TA47-C-400146
------------------	-----------------	-----------------

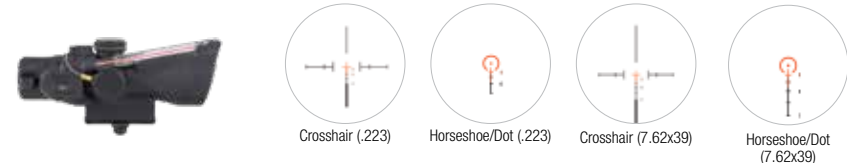
Tritium/Fiber Optic Illuminated Crosshair Reticle (Black Finish)

Standard Height:	■ TA47-C-400151	■ TA47-C-400147	■ TA47-C-400149
------------------	-----------------	-----------------	-----------------

Tritium/Fiber Optic Illuminated 6.9 MOA Dot Reticle (Black Finish)

Standard Height:	■ TA47-C-400152	■ TA47-C-400148
------------------	-----------------	-----------------

3x24



Crosshair (.223)

Horseshoe/Dot (.223)

Crosshair (7.62x39)

Horseshoe/Dot (7.62x39)

Tritium/Fiber Optic Illuminated Crosshair .223/55gr. Ballistic Reticle (Black Finish)

Standard Height:	■ TA50-C-400223	■ TA50-C-400225	■ TA50-C-400224
Low Height:	■ TA50-C-400229	■ TA50-C-400231	■ TA50-C-400230

Tritium/Fiber Optic Illuminated Horseshoe/Dot .223/55gr. Ballistic Reticle (Black Finish)

Standard Height:	■ TA50-C-400226	■ TA50-C-400228	■ TA50-C-400227
Low Height:	■ TA50-C-400232	■ TA50-C-400234	■ TA50-C-400233

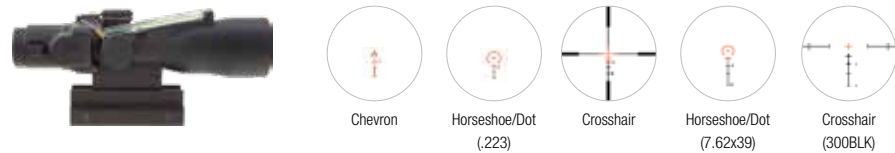
Tritium/Fiber Optic Illuminated Crosshair 7.62x39mm/123gr. Ballistic Reticle (Black Finish)

Low Height:	■ TA50-C-400235	■ TA50-C-400237	■ TA50-C-400236
-------------	-----------------	-----------------	-----------------

Tritium/Fiber Optic Illuminated Horseshoe/Dot 7.62x39mm/123gr. Ballistic Reticle (Black Finish)

Low Height:	■ TA50-C-400238	■ TA50-C-400240	■ TA50-C-400239
-------------	-----------------	-----------------	-----------------

3x30



Chevron

Horseshoe/Dot (.223)

Crosshair

Horseshoe/Dot (7.62x39)

Crosshair (300BLK)

Tritium/Fiber Optic Illuminated Chevron .223/62gr. Ballistic Reticle with Thumbscrew Mount (Black Finish)

Standard Height:	■ TA33-C-400135	■ TA33-C-400127	■ TA33-C-400118
------------------	-----------------	-----------------	-----------------

Tritium/Fiber Optic Illuminated Chevron 7.62x51/175gr. Ballistic Reticle with Thumbscrew Mount (Black Finish)

Standard Height:	■ TA33-C-400136	■ TA33-C-400128	■ TA33-C-400120
------------------	-----------------	-----------------	-----------------

Tritium/Fiber Optic Illuminated Horseshoe/Dot 5.56x45mm/62gr. Ballistic Reticle with Thumbscrew Mount (Black Finish)

Standard Height:	■ TA33-C-400137	■ TA33-C-400129	■ TA33-C-400130
------------------	-----------------	-----------------	-----------------

Tritium/Fiber Optic Illuminated Crosshair .223/69gr. Ballistic Reticle with Thumbscrew Mount (Black Finish)

Standard Height:	■ TA33-C-400132	■ TA33-C-400124	■ TA33-C-400121
------------------	-----------------	-----------------	-----------------

Tritium/Fiber Optic Illuminated Crosshair .308/168gr. Ballistic Reticle with Thumbscrew Mount (Black Finish)

Standard Height:	■ TA33-C-400133	■ TA33-C-400125	■ TA33-C-400122
------------------	-----------------	-----------------	-----------------

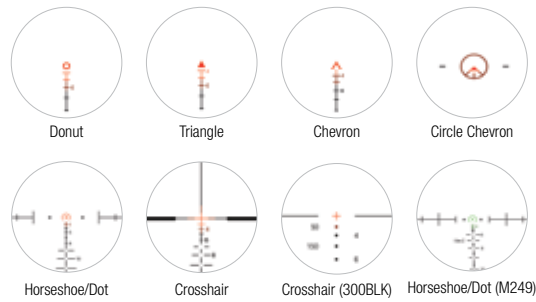
Tritium/Fiber Optic Illuminated Horseshoe/Dot 7.62x39mm/123gr. Ballistic Reticle with Thumbscrew Mount (Black Finish)

Standard Height:	■ TA33-C-400134	■ TA33-C-400126	■ TA33-C-400123
------------------	-----------------	-----------------	-----------------

Tritium/Fiber Optic Illuminated Crosshair 300BLK 115/220gr. Ballistic Reticle with Thumbscrew Mount (Black Finish)

Standard Height:	■ TA33-C-400164	■ TA33-C-400163	■ TA33-C-400162
------------------	-----------------	-----------------	-----------------

3.5x35



Tritium/Fiber Optic Illuminated Donut 5.56/.223 Ballistic Reticle

Black: ■ TA11 ■ TA11-G

Tritium/Fiber Optic Illuminated Donut 7.62/.308 Ballistic Reticle

Black: ■ TA11C

Tritium/Fiber Optic Illuminated Triangle 5.56/.223 Ballistic Reticle **ITAR**

Black: ■ TA11D

Tritium/Fiber Optic Illuminated Chevron 5.56/.223 Ballistic Reticle with Thumbscrew Mount

Black: ■ TA11F ■ TA11F-G ■ TA11F-A

Tritium/Fiber Optic Illuminated Chevron 7.62/.308 Ballistic Reticle with Thumbscrew Mount

Black: ■ TA11E ■ TA11E-G ■ TA11E-A

Tritium/Fiber Optic Illuminated Chevron M193 Reticle with Thumbscrew Mount **ITAR**

Black: ■ TA11-D-100291 ■ TA11-D-100293 ■ TA11-D-100292

Tritium/Fiber Optic Illuminated Circle/Chevron Reticle

Black: ■ TA11B

Tritium/Fiber Optic Illuminated Horseshoe/Dot 5.56/.223 Ballistic Reticle with Thumbscrew Mount **ITAR**

Black: ■ TA11H ■ TA11H-G

Tritium/Fiber Optic Illuminated Horseshoe/Dot .308 M240 BDC Reticle with Thumbscrew Mount **ITAR**

Black: ■ TA11H-308 ■ TA11H-308G

Tritium/Fiber Optic Illuminated Crosshair 5.56/.223 Ballistic Reticle with Thumbscrew Mount **ITAR**

Black: ■ TA11J ■ TA11J-G ■ TA11J-A

Tritium/Fiber Optic Illuminated Crosshair 7.62/.308 Ballistic Reticle with Thumbscrew Mount **ITAR**

Black: ■ TA11J-308 ■ TA11J-308G ■ TA11J308-A

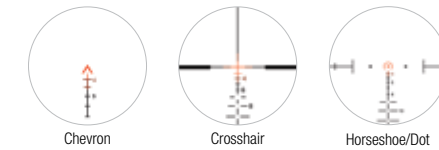
Tritium/Fiber Optic Illuminated Crosshair 300 BLK Ballistic Reticle with Thumbscrew Mount

Black: ■ TA11-C-100414 ■ TA11-C-100416 ■ TA11-C-100415

Tritium/Fiber Optic Illuminated Horseshoe/Dot M249 Ballistic Reticle with Thumbscrew Mount and ARD

Black: ■ TA11MGO-M249 **ITAR**

3.5x35 LED



LED-Illuminated Chevron 5.56/.223 Ballistic Reticle with Thumbscrew Mount

Black: ■ TA110-C-100491 ■ TA110-C-100492

LED-Illuminated Chevron 7.62/.308 Ballistic Reticle with Thumbscrew Mount

Black: ■ TA110-C-100497 ■ TA110-C-100498

LED-Illuminated Crosshair 5.56/.223 Ballistic Reticle with Thumbscrew Mount **ITAR**

Black: ■ TA110-D-100495 ■ TA110-D-100496

LED-Illuminated Crosshair 7.62/.308 Ballistic Reticle with Thumbscrew Mount **ITAR**

Black: ■ TA110-D-100501 ■ TA110-D-100502

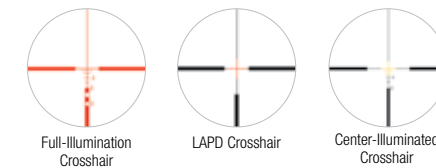
LED-Illuminated Horseshoe/Dot 5.56/.223 Ballistic Reticle with Thumbscrew Mount **ITAR**

Black: ■ TA110-D-100493 ■ TA110-D-100494

LED-Illuminated Horseshoe/Dot 7.62/.308 Ballistic Reticle with Thumbscrew Mount **ITAR**

Black: ■ TA110-D-100499 ■ TA110-D-100500

4x32



Full-Illumination Crosshair 5.56/.223 Ballistic Reticle

Black: ■ TA01

Full-Illumination Crosshair 7.62/.308 Ballistic Reticle

Black: ■ TA01B

Illuminated M16/LAPD Crosshair Reticle **ITAR**

Black: ■ TA01LAW

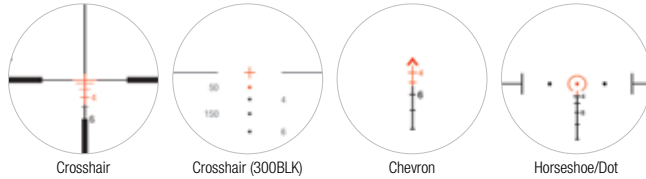
Center-Illuminated Crosshair 5.56/.223 Ballistic Reticle, Thumbscrew Mount, Backup Iron Sights and Dust Cover **ITAR**

Black: ■ TA01NSN
 Sniper Gray: ■ TA01-D-100317
 OD Green: ■ TA01-D-100318
 FDE: ■ TA01-D-100319

Center-Illuminated Crosshair 7.62/.308 Ballistic Reticle, Thumbscrew Mount, Backup Iron Sights and Dust Cover

Black: ■ TA01NSN-308

4x32 LED



LED-Illuminated Crosshair 5.56/.223 Ballistic Reticle with Thumbscrew Mount

Black: ■ TA02 ■ TA02-C-100390

LED-Illuminated Crosshair 300 BLK Ballistic Reticle with Thumbscrew Mount

Black: ■ TA02-C-100431 ■ TA02-C-100432

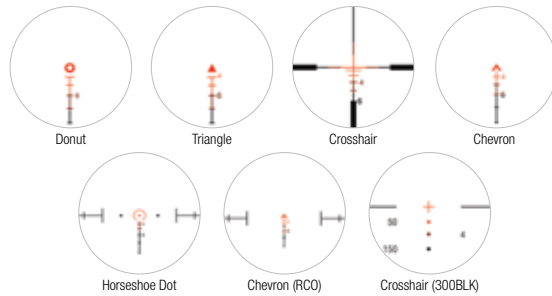
LED-Illuminated Chevron 5.56/.223 Ballistic Reticle with Thumbscrew Mount ITAR

Black: ■ TA02-D-100393 ■ TA02-D-100391

LED-Illuminated Horseshoe/Dot 5.56/.223 Ballistic Reticle with Thumbscrew Mount ITAR

Black: ■ TA02-D-100394 ■ TA02-D-100392

4x32 BAC



Tritium/Fiber Optic Illuminated Donut 5.56/.223 Ballistic Reticle

Black: ■ TA31 ■ TA31-G

Tritium/Fiber Optic Illuminated Triangle 5.56/.223 Ballistic Reticle

Black: ■ TA31A

Tritium/Fiber Optic Illuminated Crosshair 5.56/.223 Ballistic Reticle with Thumbscrew Mount

Black: ■ TA31-CH ■ TA31-CH-G
 Sniper Gray: ■ TA31-C-100370 ■ TA31-C-100378
 OD Green: ■ TA31-C-100371 ■ TA31-C-100379
 FDE: ■ TA31-C-100372 ■ TA31-C-100380

Tritium/Fiber Optic Illuminated Chevron 5.56/.223 Ballistic Reticle with Thumbscrew Mount ITAR

Black: ■ TA31F ■ TA31F-G ■ TA31F-A
 Sniper Gray: ■ TA31-D-100308 ■ TA31-D-100311
 OD Green: ■ TA31-D-100309 ■ TA31-D-100312
 FDE: ■ TA31-D-100310 ■ TA31-D-100313

Tritium/Fiber Optic Illuminated Chevron M193 Reticle with Thumbscrew Mount ITAR

Black: ■ TA31-D-100288 ■ TA31-D-100290 ■ TA31-D-100289

Tritium/Fiber Optic Illuminated Horseshoe/Dot 5.56/.223 Ballistic Reticle with Thumbscrew Mount ITAR

Black: ■ TA31H ■ TA31H-G ■ TA31H-A
 Sniper Gray: ■ TA31-D-100365 ■ TA31-D-100366
 OD Green: ■ TA31-D-100366 ■ TA31-D-100367
 FDE: ■ TA31-D-100367

Tritium/Fiber Optic Illuminated Horseshoe/Dot 6.8 SPC Ballistic Reticle with Thumbscrew Mount ITAR

Black: ■ TA31H-68 ■ TA31H-68-G ■ TA31H-68-A

Tritium/Fiber Optic Illuminated ARMY Rifle Combat Optic for the M150 with Chevron Reticle and Thumbscrew Mount ITAR

Black: ■ TA31RCO-M150CP ■ TA31RCO-M150CP-G

Tritium/Fiber Optic Illuminated USMC Rifle Combat Optic for the M4 with Chevron Reticle and Thumbscrew Mount ITAR

Black: ■ TA31RCO-M4CP

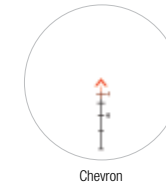
Tritium/Fiber Optic Illuminated USMC Rifle Combat Optic for the A4 with Chevron Reticle and Thumbscrew Mount ITAR

Black: ■ TA31RCO-A4CP

Tritium/Fiber Optic Illuminated Crosshair 300 BLK Ballistic Reticle with Thumbscrew Mount

Black: ■ TA31-C-100411 ■ TA31-C-100413 ■ TA31-C-100412

5.5x50



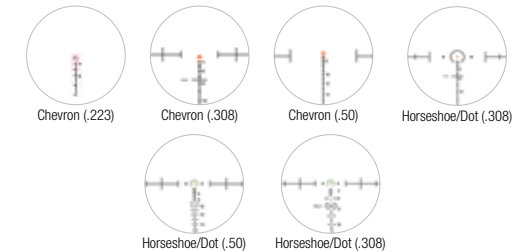
Tritium/Fiber Optic Illuminated Chevron 5.56/.223 Ballistic Reticle with Thumbscrew Mount

Black: ■ TA55

Tritium/Fiber Optic Illuminated Chevron 7.62/.308 Ballistic Reticle with Thumbscrew Mount

Black: ■ TA55A

6x48



Tritium/Fiber Optic Illuminated Chevron 5.56/.223 Ballistic Reticle with Thumbscrew Mount & M1913 Rail

Black: ■ TA648 ■ TA648-G ■ TA648-A ITAR

Tritium/Fiber Optic Illuminated Chevron 7.62/.308 Ballistic Reticle with Thumbscrew Mount & M1913 Rail

Black: ■ TA648-308 ■ TA648-308G ■ TA648-308A ITAR

Tritium/Fiber Optic Illuminated Chevron .50 BMG Ballistic Reticle with Thumbscrew Mount & M1913 Rail

Black: ■ TA648-50 ■ TA648-50G ■ TA648-50A ITAR

Tritium/Fiber Optic Illuminated Horseshoe/Dot 7.62/.308 Ballistic Reticle with Thumbscrew Mount & M1913 Rail ITAR

Black: ■ TA648-308H

Tritium/Fiber Optic Illuminated Horseshoe/Dot .50 BMG M2 Ballistic Reticle, Thumbscrew Mount, ARD & M1913 Rail ITAR

Black: ■ TA648MGO-M2

Tritium/Fiber Optic Illuminated Horseshoe/Dot M240 Ballistic Reticle, Thumbscrew Mount, ARD & M1913 Rail ITAR

Black: ■ TA648MGO-M240

ACOG®/RMR® Combo



3x30 ACOG® Tritium/Fiber Optic Illuminated Horseshoe/Dot 5.56/.223 Ballistic Reticle with Thumbscrew Mount LED RMR® 3.25 MOA Red Dot Sight

Black: ■ TA33-C-400312 ■ TA33-C-400311

3x30 ACOG Tritium/Fiber Optic Illuminated Chevron 5.56/.223 Ballistic Reticle with Thumbscrew Mount RMR 9.0 MOA Dot Sight

Black: ■ TA33-C-400119 ■ TA33-C-400160

3.5x35 ACOG Tritium/Fiber Optic Illuminated Crosshair 5.56/.223 Ballistic Reticle with Thumbscrew Mount LED RMR 3.25 MOA Red Dot Sight ITAR

Black: ■ TA11-D-100557

3.5x35 ACOG Tritium/Fiber Optic Illuminated Crosshair M249 Ballistic Reticle with LaRue Tactical Mount RMR 9.0 MOA Amber Dot Sight ITAR

Black: ■ TA11SD0-CP

3.5x35 ACOG Tritium/Fiber Optic Illuminated Chevron 5.56/.223 Ballistic Reticle with Thumbscrew Mount Adjustable LED RMR 3.25 MOA Red Dot Sight

Black: ■ TA11-C-100565

4x32 ACOG Center-Illuminated Crosshair .223 Ballistic Reticle with BUIS, Quick-Release Mount LED RMR 3.25 MOA Red Dot Sight ITAR

FDE: ■ TA01-D-100555

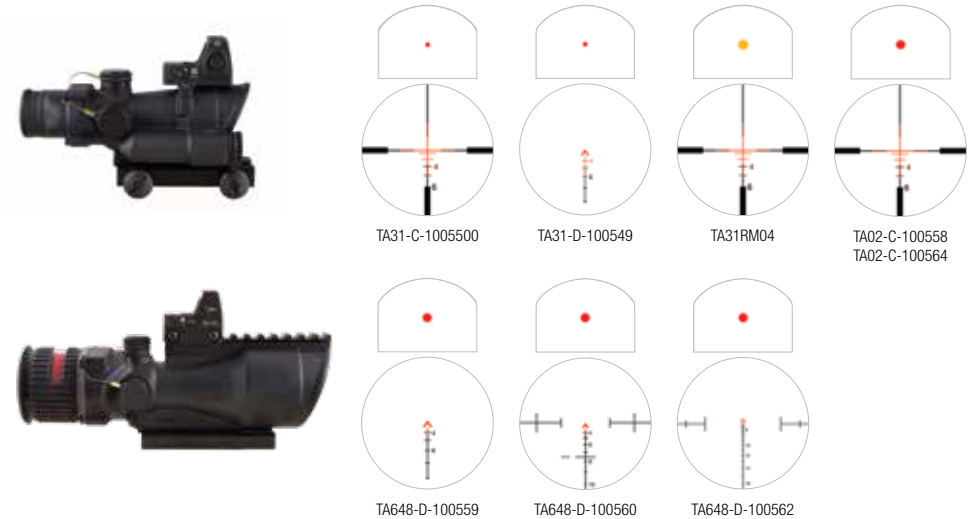
4x32 ACOG Center-Illuminated Crosshair 5.56/.223 Ballistic Reticle with Thumbscrew Mount LED RMR 3.25 MOA Red Dot Sight ITAR

Black: ■ TA01-D-100556

4x32 ACOG Tritium/Fiber Optic Illuminated Crosshair 5.56/.223 Ballistic Reticle with BUIS, Quick-Release Mount LED RMR 3.25 MOA Red Dot Sight ITAR

FDE: ■ TA31-D-100553 ■ TA31-D-100554

ACOG®/RMR® Combo



4x32 ACOG® Tritium/Fiber Optic Illuminated Crosshair 5.56/.223 Ballistic Reticle with Thumbscrew Mount LED RMR® 3.25 MOA Red Dot Sight

Black: ■ TA31-C-1005500 ■ TA31-C-100551 ■ TA31-C-100552

4x32 ACOG Tritium/Fiber Optic Illuminated Chevron 5.56/.223 Ballistic Reticle with Thumbscrew Mount LED RMR 3.25 MOA Red Dot Sight ITAR

Black: ■ TA31-D-100549 ■ TA31-D-100548
 Sniper Gray: ■ TA31-D-100568
 OD Green: ■ TA31-D-100569
 FDE: ■ TA31-D-100570

4x32 ACOG Tritium/Fiber Optic Illuminated Crosshair 5.56/.223 Ballistic Reticle with Thumbscrew Mount RMR 7.0 MOA Amber Dot Sight

Black: ■ TA31RM04

4x32 LED ACOG Illuminated Crosshair 5.56/.223 Ballistic Reticle with Thumbscrew Mount LED RMR 3.25 MOA Red Dot Sight

Black: ■ TA02-C-100558

4x32 LED ACOG Illuminated Crosshair 5.56/.223 Ballistic Reticle with Thumbscrew Mount Adjustable LED RMR 3.25 MOA Red Dot Sight

Black: ■ TA02-C-100564

6x48 ACOG Tritium/Fiber Optic Illuminated Chevron 5.56/.223 Ballistic Reticle with Thumbscrew Mount LED RMR 6.5 MOA Red Dot Sight ITAR

Black: ■ TA648-D-100559 ■ TA648-D-100563

6x48 ACOG Tritium/Fiber Optic Illuminated Chevron 7.62/.308 Ballistic Reticle with Thumbscrew Mount LED RMR 6.5 MOA Red Dot Sight ITAR

Black: ■ TA648-D-100560 ■ TA648-D-100561

6x48 ACOG Tritium/Fiber Optic Illuminated Chevron .50 BMG Ballistic Reticle with Thumbscrew Mount LED RMR 6.5 MOA Red Dot Sight ITAR

Black: ■ TA648-D-100562

ITAR ITAR controlled item. For export restrictions on all products, see page 148. Reticles not shown to scale.

ITAR ITAR controlled item. For export restrictions on all products, see page 148. Reticles not shown to scale.



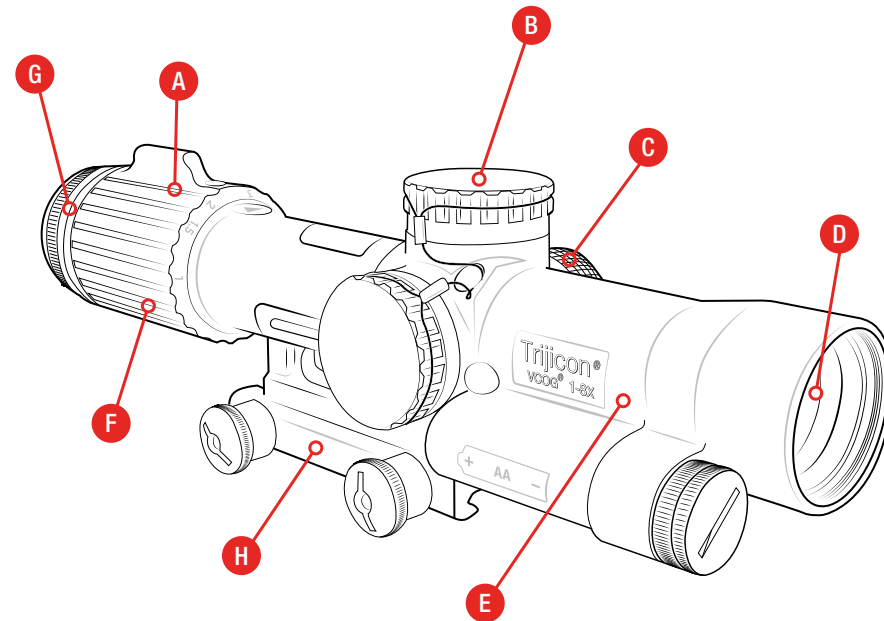
Trijicon VCOG®

EXTREME DURABILITY. ABSOLUTE PRECISION.

The Trijicon VCOG® (Variable Combat Optical Gunsight) is a highly rugged, illuminated, variable magnification riflescope designed for close-quarter battle (CQB) and long-distance marksmanship. Known for its nearly indestructible design, first focal plane reticle and outstanding glass quality, the VCOG is trusted by the U.S. Military, law enforcement, and 3-Gun competitors to take a beating and maintain zero.

Features and Benefits

- A Quick Magnification Adjustments**
Integrated dial fin allows easy rotation through magnification settings.
- B Easy-To-Set Adjusters**
Adjustments are easy and precise—without requiring tools.
- C Adjustable Brightness Settings**
11 brightness settings (1-8x28);
6 brightness settings (1-6x24)
- D Superior Quality Glass**
Multi-coated lenses provide superior clarity and light-gathering capabilities with zero distortion.
- E Rugged & Durable**
Tested to MIL-STD-810G, a series of tests approved by the U.S. Department of Defense to simulate conditions in the field.
- F Waterproof to 20m/66 Ft.**
Dry nitrogen-filled to eliminate fogging.
- G Quick, Accurate Ranging Reticles**
1-6x24 offers BDC or Universal MRAD and MOA reticles; 1-8x28 offers Universal MRAD and MOA reticles.
- H Easily Mounts to Firearms with Standard Picatinny Rail**
Integrated mounting solution allows the optic to be mounted out of the box. No conventional scope rings needed.



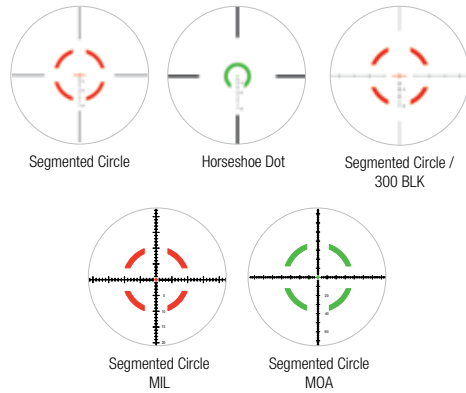


	1-6x24 (VC16 Series)
Magnification	1-6x
Objective Lens	24mm
Focal Plane	First
Eye Relief	4 in. Constant 101.6mm
Exit Pupil	0.41 – 0.15 in. 10.4 – 3.8mm
Field of View (Degrees)	18.0 – 3.0°
Field of View	95 – 15.9 ft. @ 100 yd. 31.7 – 5.3m @ 100m
Adjustments	MOA / MIL .25 MOA / .1 MIL Per Click
Adjustment Range (Elevation and Windage)	90 MOA Total Travel (35 MOA Per Revolution)
Dimensions (L x W x H)	10.05 x 2.51 x 2.73 in. 255 x 64 x 69mm
Weight	23.2 oz. (w/o Mount or Battery) 657.7g
Illumination Source	LED Powered by a Single Lithium or Alkaline AA Battery
Battery Life	700 Hours (Red) 1400 Hours (Green) Continuous Use at Brightness Setting 4 of 6* (Lithium Battery)
Brightness Settings	6

	1-8x28 (VC18 Series)
Magnification	1-8x
Objective Lens	28mm
Focal Plane	First
Eye Relief	4 – 3.9 in. 102 – 99mm
Exit Pupil	0.46 – 0.15 in. 11.8 – 3.5mm
Field of View (Degrees)	20.0 – 2.5°
Field of View	109.2 – 13.1 ft. @ 100 yd. 36.4 – 4.4m @ 100m
Adjustments	MOA / MRAD .25 MOA / .1 MRAD Per Click
Adjustment Range (Elevation and Windage)	120 MOA Total Travel (20 MOA Per Revolution)
Dimensions (L x W x H)	10.8 x 2.8 x 2.8 in. 274.3 x 71.1 x 71.1mm
Weight	31.5 oz. (w/o Mount or Battery) 893g
Illumination Source	LED Powered by a Single Lithium or Alkaline AA Battery
Battery Life	633 Hours (26.4 Days) Continuous Use at Brightness Setting 6
Brightness Settings	11

*When used at 70°F (21°C). Extreme temperatures (high or low) will affect lithium battery performance.

1-6x24



Segmented Circle / Crosshair .223 / 55 Grain Ballistic Reticle

Thumbscrew Mount: ■ VC16-C-1600000 ■ VC16-C-1600040
 Quick-Release Mount: ■ VC16-C-1600007 ■ VC16-C-1600047

Segmented Circle / Crosshair .223 / 77 Grain Ballistic Reticle

Thumbscrew Mount: ■ VC16-C-1600001 ■ VC16-C-1600041
 Quick-Release Mount: ■ VC16-C-1600008 ■ VC16-C-1600048

Segmented Circle / Crosshair .308 / 175 Grain Ballistic Reticle

Thumbscrew Mount: ■ VC16-C-1600004 ■ VC16-C-1600044
 Quick-Release Mount: ■ VC16-C-1600011 ■ VC16-C-1600051

Horseshoe Dot / Crosshair .223 / 55 Grain Ballistic Reticle

Thumbscrew Mount: ■ VC16-C-1600002 ■ VC16-C-1600042
 Quick-Release Mount: ■ VC16-C-1600009 ■ VC16-C-1600049

Horseshoe Dot / Crosshair .223 / 77 Grain Ballistic Reticle

Thumbscrew Mount: ■ VC16-C-1600003 ■ VC16-C-1600043
 Quick-Release Mount: ■ VC16-C-1600010 ■ VC16-C-1600050

Horseshoe Dot / Crosshair .308 / 175 Grain Ballistic Reticle

Thumbscrew Mount: ■ VC16-C-1600005 ■ VC16-C-1600045
 Quick-Release Mount: ■ VC16-C-1600012 ■ VC16-C-1600052

Segmented Circle / Crosshair 300 BLK Ballistic Reticle

Thumbscrew Mount: ■ VC16-C-1600006 ■ VC16-C-1600046
 Quick-Release Mount: ■ VC16-C-1600013 ■ VC16-C-1600053

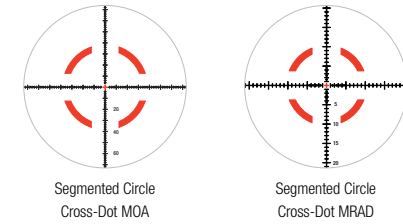
Segmented Circle / Crosshair MOA

Quick-Release Mount: ■ VC16-C-1600035 ■ VC16-C-1600036

Segmented Circle / Crosshair MIL ITAR

Quick-Release Mount: ■ VC16-D-1600037 ■ VC16-D-1600038

1-8x28



Segmented Circle Cross-Dot MOA

Thumbscrew Mount: ■ VC18-C-2400001

Segmented Circle Cross-Dot MRAD

Thumbscrew Mount: ■ VC18-C-2400003





Trijicon

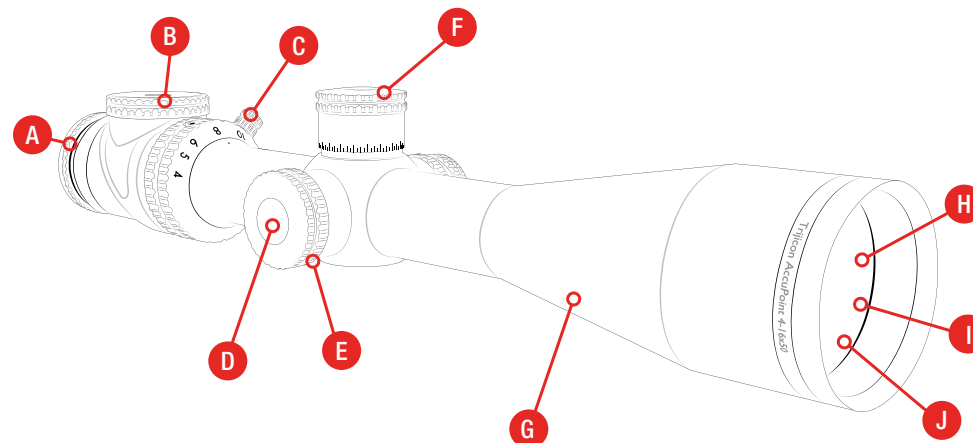
AccuPoint®

BUILT FOR PERFECTIONISTS BY PERFECTIONISTS.

The Trijicon AccuPoint® is a premium, variable-powered sporting riflescope featuring a battery-free illuminated reticle, superior glass clarity and rugged construction. Designed to stand up to the elements, the AccuPoint maintains the refinement needed for precise windage and elevation adjustments. The multi-layer, coated lenses provide superior light transmission, while the illuminated reticle aids in quick target engagement.

Features and Benefits

- A Easy-Focus Eyepiece**
Diopter accommodates the shooter's individual prescription.
- B Confident Aiming in Any Light**
Battery-free, illuminated reticles are "always on" using Tritium/Fiber Optic to automatically adjust to lighting conditions.
- C Ideal Function & Position**
Re-positionable magnification lever accommodates different shooting positions and rifle configurations. Available on higher magnification models.
- D Quick & Easy Adjustments**
Crisp, precise, windage/elevation adjusters require no tools and are designed to prevent accidental shift.
- E Purpose-Driven Design**
Multiple finishes, knurling types, and adjuster styles to suit a variety of applications.
- F Optimal Flexibility**
Generous windage and elevation adjustment for maximum total travel.
- G Ultra Durable for Ensured Reliability**
Ruggedized design engineered to withstand extreme conditions and tested to military standards and protocols.
- H Edge-to-Edge Clarity**
Fully multi-coated, broadband, anti-reflective glass provides excellent light transmission, true detail and color, with zero distortion.
- I "Both-Eyes-Open" Shooting**
Illuminated reticles provide a clear aiming point that draws the shooter's eye for fast engagement.
- J Quick Target Acquisition**
Proven reticle designs for the most discerning hunters, ensuring fast ranging and holdovers.





	1-4x24 (TR24 Series)	1-6x24 (TR25 Series)	2.5-10x56 (TR22 Series)
Eye Relief	2.0 – 3.5 in. 52 – 88mm	2.8 – 5.0 in. 71 – 127mm	2.8 – 4.6 in. 71 – 117mm
Exit Pupil	0.69 – 0.20 in. 17.5 – 5.1mm	0.47 – 0.16 in. 12 – 4.1mm	0.64 – 0.22 in. 16.3 – 5.6mm
Field of View (@ 100 yd.) (@ 100m) (degrees)	97.5 – 24.2 ft. 32.5 – 8.1m 18.0° – 4.6°	117.5 – 18.8 ft. 39.2 – 6.3m 21.4° – 3.6°	37.6 – 10.1 ft. 12.5 – 3.4m 7.2° – 1.9°
Focal Plane	Second	Second	Second
Adjustments	1/4 MOA Per Click	1/4 MOA Per Click 0.1 MIL Per Click	1/4 MOA Per Click
Adjustment Range Total Travel	90 MOA	110 MOA / 32.6 MIL	60 MOA
Parallax Adjustment Range	N/A	N/A	N/A
Finish	Matte	Matte	Matte
Fiber Adjustment Range	Fiber Strip	Fiber Dial	Fiber Strip
Dimensions (L x W x H)	10.3 x 2.0 x 2.0 in.	11.0 x 2.0 x 2.0 in.	13.8 x 2.6 x 2.6 in.
Weight	14.4 oz.	19.2 oz.	20.7 oz.
Illumination Source	Fiber Optics & Tritium	Fiber Optics & Tritium	Fiber Optics & Tritium
Tube Diameter	30mm	30mm	30mm



	2.5-12.5x42 (TR26 Series)	3-9x40 (TR20 Series)	3-18x50 (TR34 Series)	4-16x50 (TR31 Series)
Eye Relief	2.2 – 3.8 in. 56 – 97mm	2.2 – 3.8 in. 56 – 97mm	3.4 – 4.0 in. 87 – 101mm	3.1 – 3.8 in. 78 – 96mm
Exit Pupil	0.42 – 0.13 in. 10.6 – 3.3mm	0.52 – 0.17 in. 13.3 – 4.4mm	0.45 – 0.11 in. 11.4 – 2.8mm	0.33 – 0.12 in. 8.5 – 3.1mm
Field of View (@ 100 yd.) (@ 100m) (degrees)	41.3 – 8.3 ft. 13.8 – 2.8m 7.8° – 1.6°	33.8 – 11.3 ft. 11.3 – 3.8m 6.5° – 2.2°	34.7 – 5.8 ft. 11.6 – 1.9m 6.62° – 1.11°	28.5 – 7.1 ft. 9.5 – 2.4m 5.43° – 1.36°
Focal Plane	Second	Second	Second	Second
Adjustments	1/4 MOA Per Click 0.1 MIL Per Click	1/4 MOA Per Click	1/4 MOA Per Click	1/4 MOA Per Click 0.1 MRAD Per Click
Adjustment Range Total Travel	90 MOA / 26.1 MIL	40 MOA / 11.6 MIL	60 MOA	70 MOA (C) / 70 MOA (C) 100 MOA (E) / 70 MOA (C) 29 MRAD (E) / 20.1 MRAD (C)
Parallax Adjustment Range	10 yds. to Infinity	N/A	N/A	10 yds. to Infinity
Finish	Matte	Matte	Satin	Matte / Satin
Fiber Adjustment Range	Fiber Dial	Fiber Strip	Fiber Dial	Fiber Dial
Dimensions (L x W x H)	13.8 x 2.4 x 2.3 in.	12.4 x 1.9 x 1.9 in.	14.81 x 2.87 x 2.76 in.	14.4 x 2.9 x 2.4 in.
Weight	22.4 oz.	13.4 oz.	27.1 oz.	25.9 - 26.8 oz.
Illumination Source	Fiber Optics & Tritium	Fiber Optics & Tritium	Fiber Optics & Tritium	Fiber Optics & Tritium
Tube Diameter	30mm	1 in.	30mm	30mm

(E) = Exposed Adjusters (C) = Capped Adjusters



»NEW



»NEW

	4-24x50 (TR32 Series)	5-20x50 (TR33 Series)
Eye Relief	3.1 – 3.8 in. 78 – 96mm	3.1 – 3.8 in. 78 – 96mm
Exit Pupil	0.33 – 0.08 in. 8.5 – 2.1mm	0.3 – 0.10 in. 7.8 – 2.5mm
Field of View (@ 100 yd.) (@ 100m) (degrees)	28.5 – 4.7 ft. 9.5 – 1.6m 5.43° – 0.91°	22.8 – 5.7 ft. 7.6 – 1.9m 4.35° – 1.09°
Focal Plane	Second	Second
Adjustments	1/4 MOA Per Click	1/4 MOA Per Click 0.1 MRAD Per Click
Adjustment Range Total Travel	100 MOA Elevation 70 MOA Windage	100 MOA / 29 MRAD Elevation 70 MOA / 20.4 MRAD Windage
Parallax Adjustment Range	10 yds. to Infinity	10 yds. to Infinity
Finish	Satin	Matte / Satin
Fiber Adjustment Range	Fiber Dial	Fiber Dial
Dimensions (L x W x H)	14.4 x 2.9 x 2.4 in.	14.4 x 2.9 x 2.4 in.
Weight	26.8 oz.	26.8 - 26.9 oz.
Illumination Source	Fiber Optics & Tritium	Fiber Optics & Tritium
Tube Diameter	30mm	30mm

1-4x24



BAC
Triangle Post



German #4



Standard
Duplex

BAC, Triangle Post Reticle, 30mm Tube, Capped Adjusters

Matte Black: ■ TR24G ■ TR24 ■ TR24R

German #4 Crosshair, 30mm Tube, Capped Adjusters

Matte Black: ■ TR24-3G ■ TR24-3

Standard Duplex Crosshair, 30mm Tube, Capped Adjusters

Matte Black: ■ TR24-C-200071 ■ TR24-C-200070

1-6x24



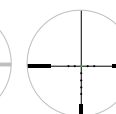
Standard
Duplex



German #4



Circle Cross



MOA Dot



BAC
Triangle Post



MIL Dot

Standard Duplex Crosshair, 30mm Tube, Capped Adjusters

Matte Black: ■ TR25-C-200080

German #4 Crosshair, 30mm Tube, Capped Adjusters

Matte Black: ■ TR25-C-200083

Circle-Cross Crosshair, 30mm Tube, Capped Adjusters

Matte Black: ■ TR25-C-200086

MOA-Dot Crosshair, 30mm Tube, Capped Adjusters

Matte Black: ■ TR25-C-200089

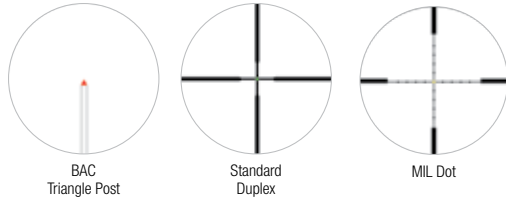
BAC, Triangle Post Reticle, 30mm Tube, Capped Adjusters

Matte Black: ■ TR25-C-200092 ■ TR25-C-200091 ■ TR25-C-200090

MIL-Dot Crosshair, 30mm Tube, Capped Adjusters

Matte Black: ■ TR25-C-200095

2.5-10x56



BAC, Triangle Post Reticle, 30mm Tube, Capped Adjusters

Matte Black: ■ TR22G ■ TR22 ■ TR22R

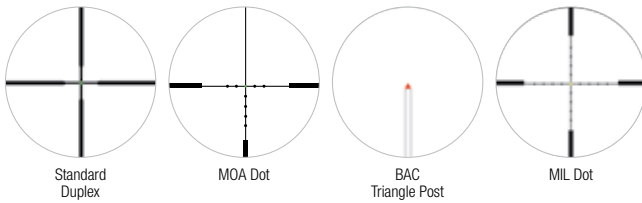
Standard Duplex Crosshair, 30mm Tube, Capped Adjusters

Matte Black: ■ TR22-1G ■ TR22-1

MIL-Dot Crosshair, 30mm Tube, Capped Adjusters

Matte Black: ■ TR22-2G ■ TR22-2

2.5-12.5x42



Standard Duplex Crosshair with Green Dot, 30mm Tube, Capped Adjusters

Matte Black: ■ TR26-C-200098

MOA-Dot Crosshair with Green Dot, 30mm Tube, Capped Adjusters

Matte Black: ■ TR26-C-200104

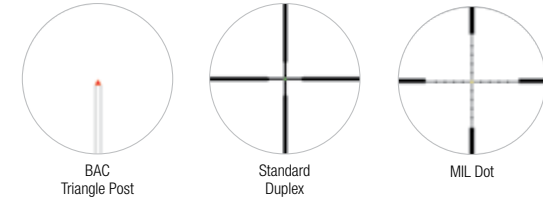
BAC, Triangle Post Reticle, 30mm Tube, Capped Adjusters

Matte Black: ■ TR26-C-200107 ■ TR26-C-200106 ■ TR26-C-200105

MIL-Dot Crosshair with Green Dot, 30mm Tube, Capped Adjusters

Matte Black: ■ TR26-C-200110

3-9x40



BAC, Triangle Post Reticle, 1 in. Tube, Capped Adjusters

Matte Black: ■ TR20G ■ TR20 ■ TR20R

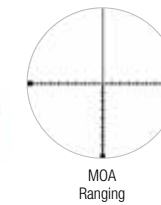
Standard Duplex Crosshair, 1 in. Tube, Capped Adjusters

Matte Black: ■ TR20-1G ■ TR20-1

MIL-Dot Crosshair, 1 in. Tube, Capped Adjusters

Matte Black: ■ TR20-2G ■ TR20-2

3-18x50

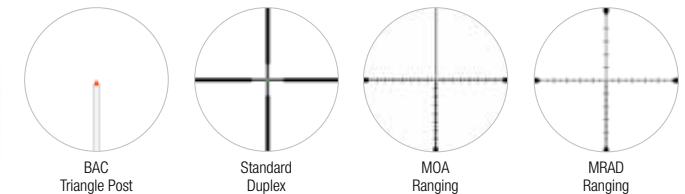


»NEW

MOA Ranging Reticle, 30mm Tube, Exposed Elevation with Return to Zero Feature

Satin Black: ■ TR34-C-200158

4-16x50



»NEW

BAC, Triangle Post Reticle, 30mm Tube, Low Capped Adjusters

Satin Black: ■ TR31-C-200145 ■ TR31-C-200143

Standard Duplex Crosshair, 30mm Tube, Low Capped Adjusters

Satin Black: ■ TR31-C-200146

MOA Ranging Crosshair, 30mm Tube, Exposed Elevation Adjuster with Return-to-Zero Feature

Satin Black: ■ TR31-C-200147

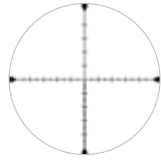
MRAD Ranging Crosshair, 30mm Tube, Exposed Elevation Adjuster with Return-to-Zero Feature

Matte Black: ■ TR31-C-200148

4-24x50



»NEW



MOA Ranging

MOA Ranging Crosshair, 30mm Tube, Exposed Elevation Adjuster with Return-to-Zero Feature

Satin Black: ■ TR32-C-200157

5-20x50



»NEW



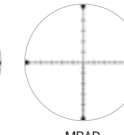
BAC Triangle Post



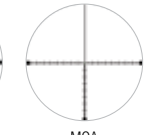
Standard Duplex



MIL-Dot



MRAD Ranging



MOA Ranging

BAC, Triangle Post Reticle, 30mm Tube, Exposed Adjusters with Return to Zero Elevation Feature

Satin Black: ■ TR33-C-200154 ■ TR33-C-200152

Standard Duplex Crosshair, 30mm Tube, Exposed Adjusters

Matte Black: ■ TR23-1G

Standard Duplex Crosshair, 30mm Tube, Exposed Adjusters with Return to Zero Elevation Feature

Satin Black: ■ TR33-C-200155

MIL-Dot Crosshair, 30mm Tube, Exposed Adjusters

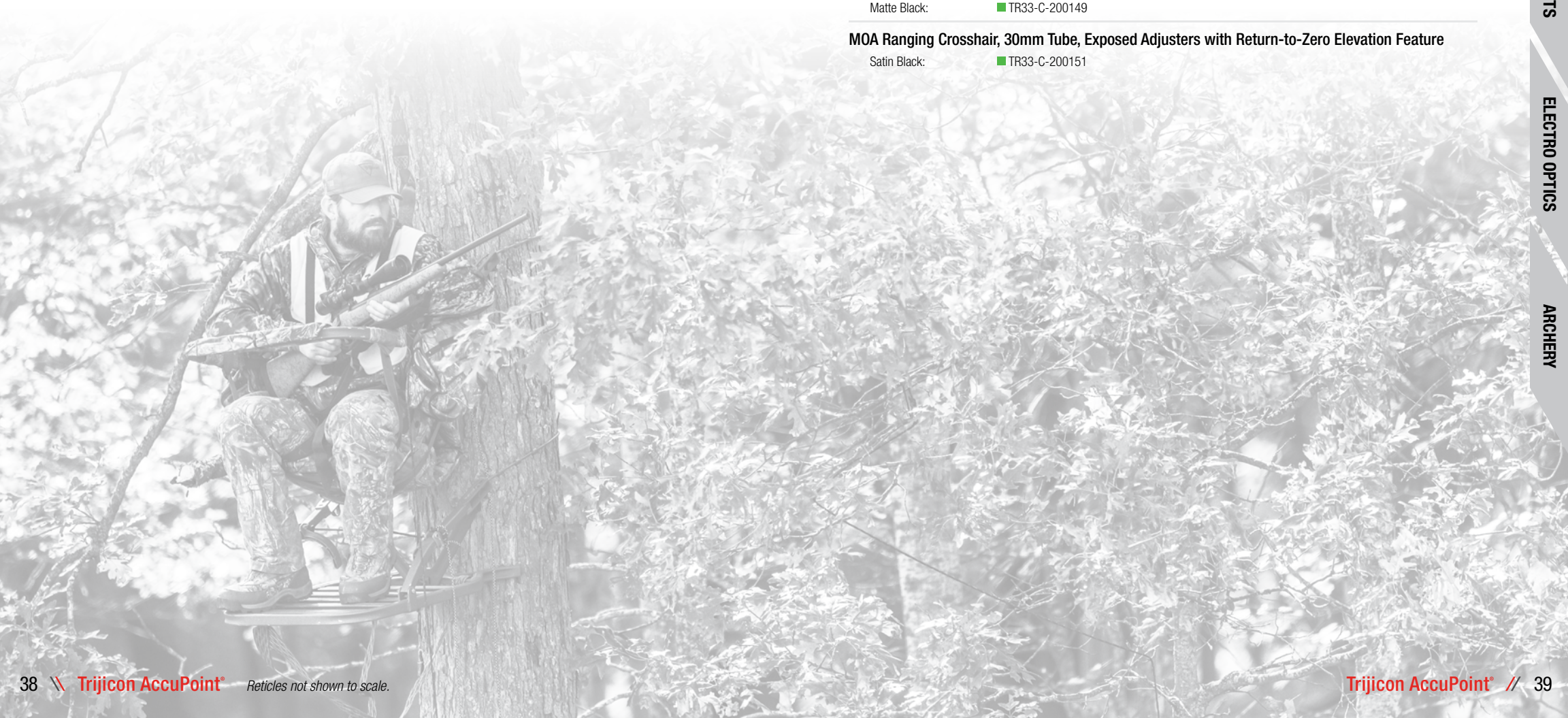
Matte Black: ■ TR23-2G

MRAD Ranging Crosshair, 30mm Tube, Exposed Adjusters with Return-to-Zero Elevation Feature

Matte Black: ■ TR33-C-200149

MOA Ranging Crosshair, 30mm Tube, Exposed Adjusters with Return-to-Zero Elevation Feature

Satin Black: ■ TR33-C-200151





Trijicon

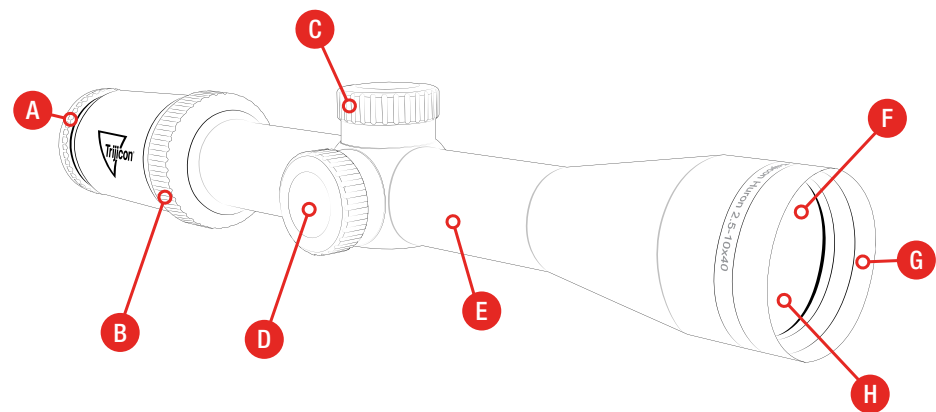
Huron[™]

ABSOLUTE ACCURACY. EVEN WHEN YOUR HEART'S BEATING OUT OF YOUR CHEST.

This is the Trijicon[®] variable riflescope made specifically for the American deer hunter. The Trijicon Huron[™] comes with the high-quality glass, proven precision, and rugged construction you need for bragging rights every season, along with a price that lets you invest heavily in your other hunting gear.

Features and Benefits

- A Easy-Focus Eyepiece**
Diopter accommodates the shooter's individual prescription.
- B Accurate Shot Placement at Various Distances**
Versatile magnification ranges designed for the whitetail hunter.
- C Sleek Design & Finish**
Satin finish and hunter knurling prevent snagging and allow for smooth adjustments of optic controls.
- D Quick & Easy Adjustments**
Crisp, precise, windage/elevation adjusters require no tools. Capped adjusters ensure no accidental shift.
- E Field-Ready Construction**
Ultra-lightweight, ruggedized design stands up to the elements without added weight.
- F Edge-to-Edge Clarity**
Fully multi-coated, broadband, anti-reflective glass provides excellent light transmission, true detail and color, with zero distortion.
- G Fast Scanning, Detection, and Tracking**
Extra-wide field of view for maximum situational awareness.
- H Rapid Target Acquisition**
Uncluttered, easy-to-use reticles for fast and accurate shots.

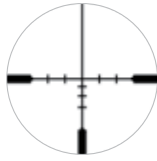




	1-4x24 (HR424 Series)	2.5-10x40 (HR1040 Series)
Eye Relief	2.6 – 3.9 in. 65 – 98mm	2.4 – 3.3 in. 62 – 83mm
Exit Pupil	0.69 – 0.2 in. 17.5 – 5.1mm	0.58 – 0.16 in. 14.8 – 4.0mm
Field of View (@ 100 yd.) (@ 100m) (degrees)	95.0 – 24.2 ft. 31.7 – 8.1m 18° – 4.6°	40.2 – 10.0 ft. 13.4 – 3.3m 7.66° – 1.92°
Focal Plane	Second	Second
Adjustments	1/4 MOA Per Click	1/4 MOA Per Click
Adjustment Range Total Travel	100 MOA	70 MOA
Finish	Satin	Satin
Dimensions (L x W x H)	10.4 x 2.0 x 1.9 in.	12.55 x 2.26 x 2.26 in.
Weight	15.9 oz.	18.2 oz.
Tube Diameter	30mm	30mm

	3-9x40 (HR940 Series)	3-12x40 (HR1240 Series)
Eye Relief	2.5 – 3.7 in. 63 – 93mm	2.2 – 3.2 in. 55 – 81mm
Exit Pupil	0.52 – 0.13 in. 13.3 – 4.5mm	0.52 – 0.13 in. 13.2 – 3.4mm
Field of View (@ 100 yd.) (@ 100m) (degrees)	33.8 – 11.3 ft. 11.3 – 3.8m 6.45° – 2.15°	36.3 – 9.1 ft. 12.1 – 3.0m 6.93° – 1.74°
Focal Plane	Second	Second
Adjustments	1/4 MOA Per Click	1/4 MOA Per Click
Adjustment Range Total Travel	40 MOA	70 MOA
Finish	Satin	Satin
Dimensions (L x W x H)	12.23 x 2.14 x 2.14 in.	12.55 x 2.26 x 2.26 in.
Weight	15.8 oz.	17.8 oz.
Tube Diameter	1 in.	30mm

1-4x24

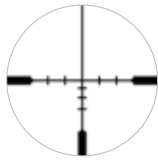


BDC
Hunter Holds

BDC Hunter Holds, 30mm Tube, Capped Adjusters

Satin Black: HR424-C-2700001

2.5-10x40

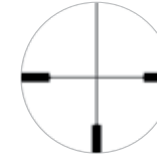


BDC
Hunter Holds

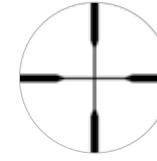
BDC Hunter Holds, 30mm Tube, Capped Adjusters

Satin Black: HR1040-C-2700002

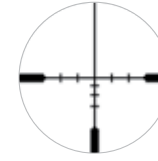
3-9x40



German #4



Standard
Duplex



BDC
Hunter Holds

German #4 Crosshair, 1 in. Tube, Capped Adjusters

Satin Black: HR940-C-2700004

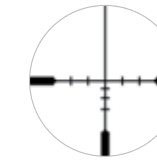
Standard Duplex, 1 in. Tube, Capped Adjusters

Satin Black: HR940-C-2700005

BDC Hunter Holds, 1 in. Tube, Capped Adjusters

Satin Black: HR940-C-2700006

3-12x40



BDC
Hunter Holds

BDC Hunter Holds, 30mm Tube, Capped Adjusters

Satin Black: HR1240-C-2700003





Trijicon

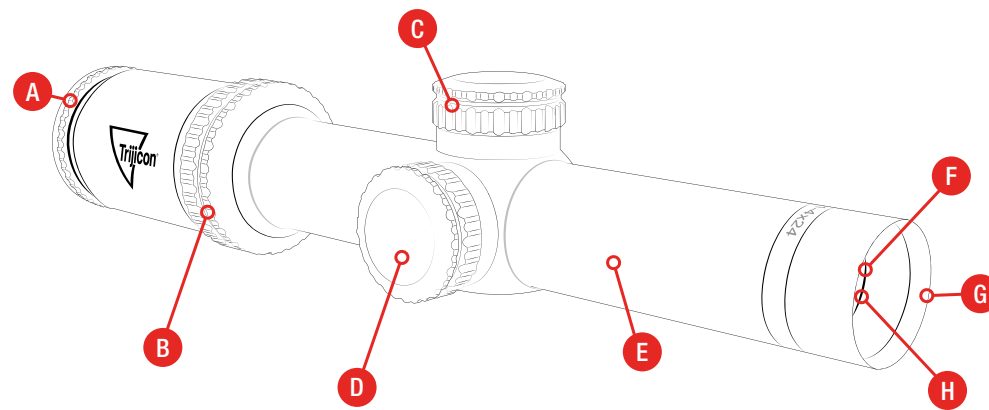
Ascent™

LEG DAY. ARM DAY. RANGE DAY. REPEAT.

Constantly improving your shooting skills requires a tactical riflescope that can grow with you, while also leading the way. The Trijicon Ascent™ gives you durability you can trust, along with the fast, easy-to-use reticles and clear glass you expect from Trijicon. You can elevate your skill set with a price point that lets you invest in more range time than ever.

Features and Benefits

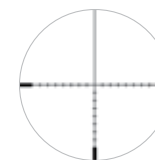
- A Easy-Focus Eyepiece**
Diopter accommodates the shooter's individual prescription.
- B Accurate Shot Placement at Any Distance**
Versatile magnifications designed for the range and competition.
- C Ultimate User Control**
Matte finish and easy-grip tactical knurling for responsive adjustments.
- D Quick & Easy Zeroing**
Crisp, precise, windage/elevation adjusters require no tools. Capped adjusters prevent accidental shift.
- E Range-Ready Construction**
Ultra-lightweight, ruggedized design stands up to the elements without added weight.
- F Edge-to-Edge Clarity**
Fully multi-coated, broadband, anti-reflective glass provides excellent light transmission, true detail and color, with zero distortion.
- G Fast Scanning, Detection, and Engagement**
Extra-wide field of view for maximum situational awareness.
- H Rapid Target Acquisition**
Uncluttered, easy-to-use reticles for fast and accurate shots.





	1-4x24 (AT424 Series)	3-12x40 (AT1240 Series)
Eye Relief	2.6 – 3.9 in. 65 – 98mm	2.2 – 3.2 in. 55 – 81mm
Exit Pupil	0.69 – 0.2 in. 17.5 – 5.1mm	0.52 – 0.13 in. 13.2 – 3.4mm
Field of View (@ 100 yd.) (@ 100m) (degrees)	95.0 – 24.2 ft. 31.7 – 8.1m 18° – 4.6°	36.3 – 9.1 ft. 12.1 – 3.0m 6.93° – 1.74°
Focal Plane	Second	Second
Adjustments	1/4 MOA Per Click	1/4 MOA Per Click
Adjustment Range Total Travel	100 MOA	70 MOA
Finish	Matte	Matte
Dimensions (L x W x H)	10.4 x 2.0 x 1.9 in.	12.55 x 2.26 x 2.26 in.
Weight	15.9 oz.	17.8 oz.
Tube Diameter	30mm	30mm

1-4x24

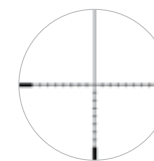


BDC Target Holds

BDC Target Holds, 30mm Tube, Capped Adjusters

Matte Black: AT424-C-2800001

3-12x40



BDC Target Holds

BDC Target Holds, 30mm Tube, Capped Adjusters

Matte Black: AT1240-C-2800002



Reticles not shown to scale.



Trijicon

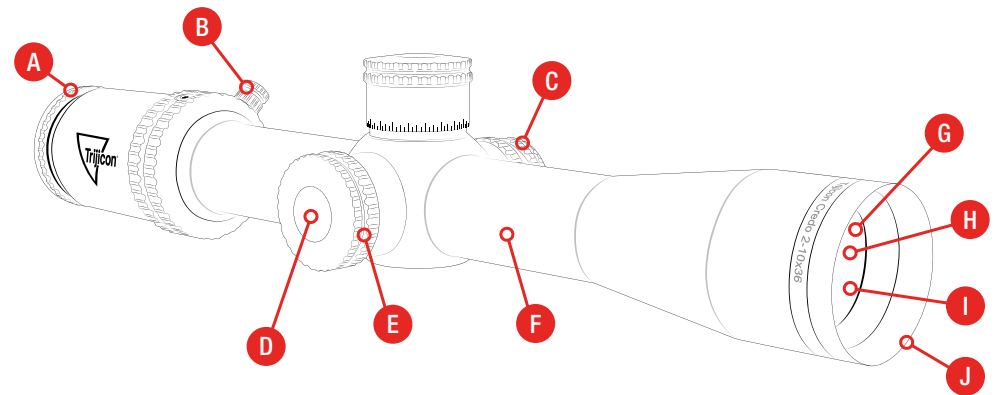
Credo™

BREAK A SWEAT WITHOUT BREAKING YOUR OPTIC.

What we've learned from decades of deployment with America's greatest fighting forces, we've put back into our technology for the Trijicon Credo™ tactical riflescope. It delivers an incredibly clear sight picture, green or red illuminated reticles, superior target acquisition, and rugged durability.

Features and Benefits

- A Easy-Focus Eyepiece**
Diopter accommodates the shooter's individual prescription.
- B Re-Positionable Magnification Lever***
Accommodates different shooting positions and rifle configurations.
- C Confident Aiming in Any Light**
User-selectable LED brightness settings with an "off" in between each setting to adapt to any environment.
- D Quick & Easy Adjustments**
Crisp, precise, windage/elevation adjusters require no tools and are designed to prevent accidental shift.
- E Purpose-Driven Design**
Matte finish and easy-grip controls for fast, intuitive adjustments.
- F Ultra Durable for Ensured Reliability**
Ruggedized design engineered to withstand extreme conditions and tested to military standards and protocols.
- G Edge-to-Edge Clarity**
Fully multi-coated, broadband, anti-reflective glass provides excellent light transmission, true detail and color, with zero distortion.
- H "Both-Eyes-Open" Shooting**
Illuminated reticles provide a clear aiming point that draws the shooter's eye for fast engagement.
- I Rapid Target Acquisition**
Choose from a variety of specially engineered reticle designs for fast ranging and holdovers.
- J Fast Scanning, Detection, and Tracking**
Extra-wide field of view for maximum situational awareness.



*Available for most models



	1-4x24 (CR424 Series)	1-6x24 (CR624 Series)	1-8x28 (CR828 Series)
Eye Relief	2.6 – 3.9 in. 65 – 98mm	3.5 – 3.9 in. 88 – 100mm	3.0 – 4.0 in. 76 – 101mm
Exit Pupil	.69 – .2 in. 17.5 – 5.1mm	.47 – .16 in. 12.0 – 4.1mm	.46 – .14 in. 11.7 – 3.5mm
Field of View (@ 100 yd.) (@ 100m) (degrees)	95 – 24.2 ft. 31.7 – 8.1m 18.0° – 4.6°	113.4 – 18.8 ft. 37.8 – 6.3m 21.4° – 3.58°	105.8 – 13.2 ft. 35.3 – 4.4m 20° – 2.53°
Focal Plane	Second	First / Second	First
Adjuster Style	Capped	Capped	Exposed Locking
Adjustments	0.1 MRAD Per Click	0.1 MRAD Per Click	0.1 MRAD Per Click
Adjustment Range Total Travel	29 MRAD	29 MRAD	29.1 MRAD
Parallax Adjustment Range	N/A	N/A	N/A
Finish	Matte	Matte	Matte
Dimensions (L x W x H)	10.5 x 2.7 x 1.9 in.	11.0 x 2.0 x 2.0 in.	10.8 x 3.2 x 2.6 in.
Weight	17.1 oz.	18.2 – 18.9 oz.	25.6 oz.
Illumination Source	LED Powered by a CR2032 Lithium Battery	LED Powered by a CR2032 Lithium Battery	LED Powered by a CR2032 Lithium Battery
Tube Diameter	30mm	30mm	34mm

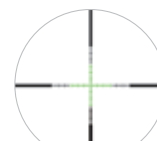


	2-10x36 (CR1036 Series)	2.5-10x56 (CR1056 Series)	2.5-15x42 (CR1542 Series)	2.5-15x56 (CR1556 Series)
Eye Relief	3.4 – 3.9 in. 87 – 99mm	2.8 – 4.0 in. 72 – 102mm	3.4 – 3.9 in. 85 – 100mm	3.3 – 3.9 in. 85 – 99mm
Exit Pupil	.41 – .13 in. 10.5 – 3.4mm	.64 – .21 in. 16.2 – 5.4mm	.42 – .11 in. 10.7 – 2.8mm	.46 – .15 in. 11.6 – 3.7mm
Field of View (@ 100 yd.) (@ 100m) (degrees)	50.0 – 10.1 ft. 16.7 – 3.4m 9.53° – 1.92°	38.3 – 10.2 ft. 12.8 – 3.4m 7.3° – 1.94°	41.2 – 6.9 ft. 13.7 – 2.3m 7.86° – 1.31°	43.1 – 7.4 ft. 14.4 – 2.5m 8.22° – 1.42°
Focal Plane	First	Second	Second	Second
Adjuster Style	Exposed / Capped	Exposed / Capped	Exposed / Capped	Exposed / Capped
Adjustments	1/4 MOA / 0.1 MRAD Per Click	1/4 MOA Per Click	1/4 MOA Per Click	1/4 MOA Per Click
Adjustment Range Total Travel	90 MOA / 26.2 MRAD	50 MOA	100 MOA Elevation 80 MOA Windage	60 MOA
Parallax Adjustment Range	N/A	N/A	10 yds. to Infinity	10 yds. to Infinity
Finish	Matte	Matte	Matte	Matte
Dimensions (L x W x H)	13.1 x 3.24 x 2.6 in.	13.8 x 2.9 x 2.6 in.	13.9 x 3.3 x 2.6 in.	14.7 x 3.2 x 2.8 in.
Weight	23 oz.	25.3 oz.	22.9 oz.	27 oz.
Illumination Source	LED Powered by a CR2032 Lithium Battery	LED Powered by a CR2032 Lithium Battery	LED Powered by a CR2032 Lithium Battery	LED Powered by a CR2032 Lithium Battery
Tube Diameter	30mm	30mm	30mm	30mm



	3-9x40 (CR940 Series)	4-16x50 (CR1650 Series)
Eye Relief	3.5 – 3.7 in. 90 – 93mm	3.1 – 3.8 in. 78 – 96mm
Exit Pupil	0.52 – 0.17 in. 13.3 – 4.4mm	0.33 – 0.12 in. 8.5 – 3.1mm
Field of View (@ 100 yd.) (@ 100m) (degrees)	35.5 – 11.8 ft. 11.8 – 3.9m 6.75° – 2.25°	28.5 – 7.1 ft. 9.5 – 2.4m 5.43° – 1.36°
Focal Plane	Second	Second
Adjuster Style	Capped	Exposed / Capped
Adjustments	1/4 MOA Per Click	1/4 MOA Per Click / 0.1 MRAD
Adjustment Range Total Travel	60 MOA	70 MOA
Parallax Adjustment Range	N/A	10 yds. to Infinity
Finish	Matte	Matte
Dimensions (L x W x H)	12.3 x 2.5 x 2.2 in.	14.5 x 3.3 x 2.4 in.
Weight	17.02 oz.	25.5 oz.
Illumination Source	LED Powered by a CR2032 Lithium Battery	LED Powered by a CR2032 Lithium Battery
Tube Diameter	1 in.	30mm

1-4x24



MRAD
Ranging



BDC Segmented
Circle .223/55 gr.

MRAD Ranging, 30mm Tube, Low Capped Adjusters

Matte Black: ■ CR424-C-2900011 ■ CR424-C-2900012

BDC Segmented Circle .223 / 55gr, 30mm Tube, Low Capped Adjusters

Matte Black: ■ CR424-C-2900013 ■ CR424-C-2900014

1-6x24 (SFP)



BDC Segmented
Circle .223/55 gr.

Second Focal Plan (SFP) BDC Segmented Circle .223 / 55gr, 30mm Tube, Low Capped Adjusters

Matte Black: ■ CR624-C-2900015 ■ CR624-C-2900016

1-6x24 (FFP)



MRAD
Segmented Circle

First Focal Plane (FFP) MRAD Segmented Circle, 30mm Tube, Low Capped Adjusters

Matte Black: ■ CR624-C-2900023 ■ CR624-C-2900024

1-8x28

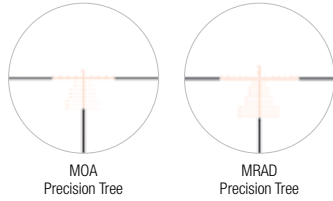


MRAD
Segmented Circle

First Focal Plane (FFP) MRAD Segmented Circle, 34mm Tube, Exposed Locking Adjusters

Matte Black: ■ CR828-C-2900032

2-10x36



MOA
Precision Tree

MRAD
Precision Tree

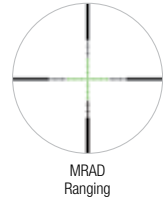
First Focal Plane (FFP) Rifle Scope MOA Precision Tree, 30mm Tube, Exposed Elevation Adjuster with Return-to-Zero Feature

Matte Black: ■ CR1036-C-2900037

First Focal Plane (FFP) MRAD Precision Tree, 30mm Tube, Exposed Elevation Adjuster with Return-to-Zero Feature

Matte Black: ■ CR1036-C-2900038

2.5-10x56

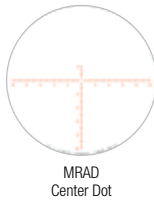


MRAD
Ranging

MRAD Ranging, 30mm Tube, Exposed Elevation Adjuster with Return-to-Zero Feature

Matte Black: ■ CR1056-C-2900025 ■ CR1056-C-2900026

2.5-15x42

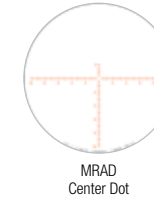


MRAD
Center Dot

MRAD Center Dot, 30mm Tube, Exposed Elevation Adjuster with Return-to-Zero Feature

Matte Black: ■ CR1542-C-2900034

2.5-15x56

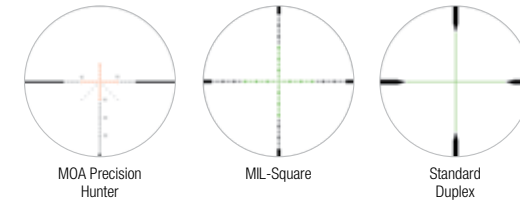


MRAD
Center Dot

MRAD Center Dot, 30mm Tube, Exposed Elevation Adjuster with Return-to-Zero Feature

Matte Black: ■ CR1556-C-2900036

3-9x40



MOA Precision
Hunter

MIL-Square

Standard
Duplex

MOA Precision Hunter, 1 in. Tube, Low Capped Adjusters

Matte Black: ■ CR940-C-2900039 ■ CR940-C-2900040

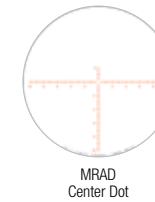
MIL-Square, 1 in. Tube, Low Capped Adjusters

Matte Black: ■ CR940-C-2900041 ■ CR940-C-2900042

Standard Duplex, 1 in. Tube, Low Capped Adjusters

Matte Black: ■ CR940-C-2900043 ■ CR940-C-2900044

4-16x50



MRAD
Center Dot

MRAD Center Dot, 30mm Tube, Exposed Elevation Adjuster with Return-to-Zero Feature

Matte Black: ■ CR1650-C-2900003 ■ CR1650-C-2900004



Trijicon

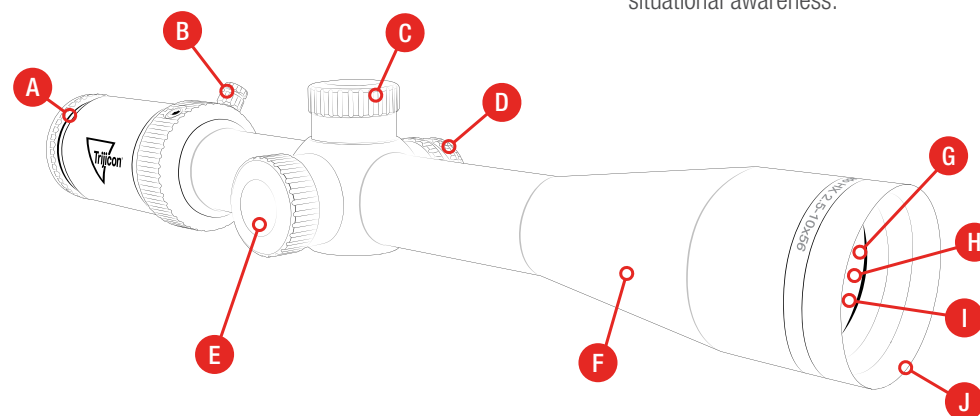
Credo™ HX

PROVEN ACCURACY WHEN IT COUNTS. AND IT ALWAYS COUNTS.

The Trijicon Credo™ HX was designed with one purpose in mind: brag-worthy hunts. To help you do so with style, it offers rapid target acquisition from dawn to dusk, pinpoint accuracy, and tough-as-nails construction that can more than handle the hazards of a hunt.

Features and Benefits

- A Easy-Focus Eyepiece**
Diopter accommodates the shooter's individual prescription.
- B Re-Positionable Magnification Lever**
Accommodates different shooting positions and rifle configurations.
- C Purpose-Driven Design**
Sleek finish and low-profile controls prevent snagging.
- D Confident Aiming in Any Light**
User-selectable LED brightness settings with an "off" in between each setting to adapt to any environment.
- E Quick & Easy Adjustments**
Crisp, precise, windage/elevation adjusters require no tools and are designed to prevent accidental shift.
- F Ultra Durable for Ensured Reliability**
Ruggedized design engineered to withstand extreme conditions and tested to military standards and protocols.
- G Edge-to-Edge Clarity**
Fully multi-coated, broadband, anti-reflective glass provides excellent light transmission, true detail and color, with zero distortion.
- H "Both-Eyes-Open" Shooting**
Illuminated reticles provide a clear aiming point that draws the shooter's eye for fast engagement.
- I Quick Target Acquisition**
Proven reticle designs for the most discerning hunters, ensuring fast ranging and holdovers.
- J Fast Scanning, Detection and Tracking**
Extra-wide field of view for maximum situational awareness.





	1-4x24 (CRHX424 Series)	1-6x24 (CRHX624 Series)	1-8x28 (CRHX828 Series)
Eye Relief	2.6 – 3.9 in. 65 – 98mm	3.5 – 3.9 in. 88 – 100mm	3.0 – 4.0 in. 76 – 101mm
Exit Pupil	.69 – .2 in. 17.5 – 5.1mm	.47 – .16 in. 12 – 4.1mm	.46 – .14 in. 11.7 – 3.5mm
Field of View (@ 100 yd.) (@ 100m) (degrees)	95 – 24.2 ft. 31.7 – 8.1m 18.0° – 4.6°	113.4 – 18.8 ft. 37.8 – 6.3m 21.4° – 3.58°	105.8 – 13.2 ft. 35.3 – 4.4m 20° – 2.53°
Focal Plane	Second	First / Second	First
Adjuster Style	Capped	Capped	Exposed Locking
Adjustments	1/4 MOA Per Click	1/4 MOA Per Click	1/4 MOA Per Click
Adjustment Range Total Travel	100 MOA	100 MOA	100 MOA
Parallax Adjustment Range	N/A	N/A	N/A
Finish	Satin	Satin	Satin
Dimensions (L x W x H)	10.5 x 2.7 x 1.9 in.	10.9 x 2.8 x 2.0 in.	10.8 x 3.2 x 2.6 in.
Weight	17.2 oz.	18.2 – 18.9 oz.	25.7 oz.
Illumination Source	LED Powered by a CR2032 Lithium Battery	LED Powered by a CR2032 Lithium Battery	LED Powered by a CR2032 Lithium Battery
Tube Diameter	30mm	30mm	34mm



	2.5-10x56 (CRHX1056 Series)	2.5-15x42 (CRHX1542 Series)	2.5-15x56 (CRHX1556 Series)	4-16x50 (CRHX1650 Series)
Eye Relief	2.8 – 4.0 in. 72 – 102mm	3.4 – 3.9 in. 85 – 100mm	3.3 – 3.9 in. 85 – 98mm	3.1 – 3.8 in. 78 – 96mm
Exit Pupil	.64 – .21 in. 16.2 – 5.4mm	.42 – .11 in. 10.7 – 2.8mm	.46 – .15 in. 11.6 – 3.7mm	0.33 – 0.12 in. 8.5 – 3.1mm
Field of View (@ 100 yd.) (@ 100m) (degrees)	38.3 – 10.2 ft. 12.8 – 3.4m 7.3° – 1.94°	41.2 – 6.9 ft. 13.7 – 2.3m 7.86° – 1.31°	43.1 – 7.4 ft. 14.4 – 2.5m 8.22° – 1.42°	28.5 – 7.1 ft. 9.5 – 2.4m 5.43° – 1.36°
Focal Plane	Second	Second	Second	Second
Adjuster Style	Exposed / Capped	Exposed / Capped	Exposed / Capped	Exposed / Capped
Adjustments	1/4 MOA Per Click	1/4 MOA Per Click	1/4 MOA Per Click	1/4 MOA Per Click
Adjustment Range Total Travel	50 MOA	100 MOA Elevation 80 MOA Windage	60 MOA	70 MOA
Parallax Adjustment Range	N/A	10 yd. to Infinity	10 yd. to Infinity	10 yd. to Infinity
Finish	Satin	Satin	Satin	Satin
Dimensions (L x W x H)	13.8 x 2.7 – 2.9 x 2.6 – 2.8 in.	13.9 x 3.3 x 2.6 in.	14.7 x 3.3 x 2.9 in.	14.5 x 3.1 x 2.1 in.
Weight	25.4 oz.	22.9 oz.	27 oz.	24.7 oz.
Illumination Source	LED Powered by a CR2032 Lithium Battery	LED Powered by a CR2032 Lithium Battery	LED Powered by a CR2032 Lithium Battery	LED Powered by a CR2032 Lithium Battery
Tube Diameter	30mm	30mm	30mm	30mm

1-4x24



MOA
Precision Hunter



Standard
Duplex

MOA Precision Hunter, 30mm Tube, Low Capped Adjusters

Satin Black: ■ CRHX424-C-2900007 ■ CRHX424-C-2900008

Standard Duplex, 30mm Tube, Low Capped Adjusters

Satin Black: ■ CRHX424-C-2900009 ■ CRHX424-C-2900010

1-6x24 (SFP)



LED Dot BDC Hunter
Holds .308



LED Dot BDC Hunter
Holds .223

Second Focal Plane (SFP) LED Dot BDC Hunter Holds .308, 30mm Tube, Low Capped Adjusters

Satin Black: ■ CRHX624-C-2900019 ■ CRHX624-C-2900017

Second Focal Plane (SFP) LED Dot BDC Hunter Holds .223, 30mm Tube, Low Capped Adjusters

Satin Black: ■ CRHX624-C-2900020 ■ CRHX624-C-2900018

1-6x24 (FFP)



MOA Segmented Circle

First Focal Plane (FFP) MOA Segmented Circle, 30mm Tube, Low Capped Adjusters

Satin Black: ■ CRHX624-C-2900021 ■ CRHX624-C-2900022

1-8x28

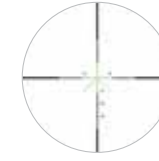


MOA
Segmented Circle

First Focal Plane (FFP) MOA Segmented Circle, 34mm Tube, Exposed Locking Adjusters

Satin Black: ■ CRHX828 -C-2900031

2.5-10x56



MOA
Precision Hunter



Standard
Duplex

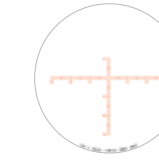
MOA Precision Hunter, 30mm Tube, Exposed Elevation Adjuster with Return-to-Zero Feature

Satin Black: ■ CRHX1056-C-2900027 ■ CRHX1056-C-2900028

Standard Duplex, 30mm Tube, Low Capped Adjusters

Satin Black: ■ CRHX1056-C-2900029 ■ CRHX1056-C-2900030

2.5-15x42

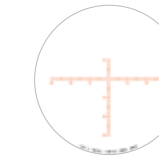


MOA
Center Dot

MOA Center Dot, 30mm Tube, Exposed Elevation Adjuster with Return-to-Zero Feature

Satin Black: ■ CRHX1542-C-2900033

2.5-15x56

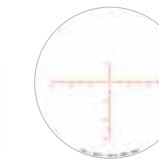


MOA
Center Dot

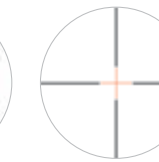
MOA Center Dot, 30mm Tube, Exposed Elevation Adjuster with Return-to-Zero Feature

Satin Black: ■ CRHX1556-C-2900035

4-16x50



MOA
Center Dot



Standard
Duplex

MOA Center Dot, 30mm Tube, Exposed Elevation Adjuster with Return-to-Zero Feature

Satin Black: ■ CRHX1650-C-2900001 ■ CRHX1650-C-2900002

Standard Duplex, 30mm Tube, Low Capped Adjusters

Satin Black: ■ CRHX1650-C-2900005 ■ CRHX1650-C-2900006



Trijicon

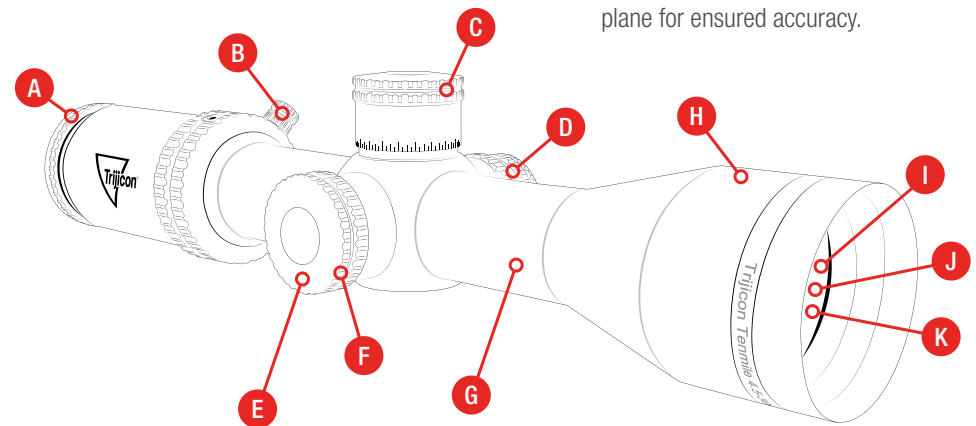
Tenmile™

WORRY ABOUT THE WIND, YOUR BREATHING AND YOUR TRIGGER PRESS. NOT YOUR RIFLESCOPE.

Keep pushing your long-range limits with the Trijicon Tenmile™ riflescope. Specifically designed for refined shooters, all Tenmile models ensure accuracy and precision at extreme distances, letting you choose the focal plane and reticle design you trust the most. You can also expect proven Trijicon durability and clarity.

Features and Benefits

- A Easy-Focus Eyepiece**
Diopter accommodates the shooter's individual prescription.
- B Re-Positionable Magnification Lever**
Accommodates different shooting positions and rifle configurations.
- C Optimal Flexibility**
Generous windage and elevation adjustment for maximum total travel.
- D Confident Aiming in Any Light**
User-selectable LED brightness settings with an "off" in between each setting to adapt to any environment.
- E Quick & Easy Adjustments**
Crisp, precise, windage/elevation adjusters require no tools and are designed to prevent accidental shift.
- F Purpose-Driven Design**
Matte finish and easy-grip controls for fast, intuitive adjustments.
- G Increased Adjuster Range**
30mm and 34mm tube sizes offer increased durability and adjuster range.
- H Ultra Durable for Ensured Reliability**
Ruggedized design engineered to withstand extreme conditions and tested to military standards and protocols.
- I Edge-to-Edge Clarity**
Fully multi-coated, broadband, anti-reflective glass provides excellent light transmission, true detail and color, with zero distortion.
- J "Both-Eyes-Open" Shooting**
Illuminated reticles provide a clear aiming point that draws the shooter's eye for fast engagement.
- K Pinpoint Aiming in Any Condition**
Precise milling and holdover reticles available in first or second focal plane for ensured accuracy.



Specifications

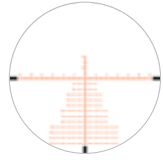


	3-18x44 (TM1844 Series)	4-24x50 (TM42450 Series)	4.5-30x56 (TM3056 Series)
Eye Relief	3.4 – 3.9 in. 87 – 100mm	3.1 – 3.8 in. 78 – 96mm	3.2 – 3.8 in. 82 – 97mm
Exit Pupil	0.45 – 0.09 in. 11.4 – 2.4mm	0.33 – 0.08 in. 8.5 – 2.1mm	0.35 – 0.07 in. 8.8 – 1.9mm
Field of View (@ 100 yd.) (@ 100m) (degrees)	35.3 – 5.9 ft. 11.8 – 2.0m 6.73° – 1.12°	28.5 – 4.7 ft. 9.5 – 1.6m 5.43° – 0.91°	24.7 – 3.7 ft. 8.2 – 1.2m 4.7° – 0.7°
Focal Plane	First	Second	First / Second
Adjuster Style	Exposed / Capped	Exposed / Capped	Exposed / Capped
Adjustments	1/4 MOA Per Click	0.1 MRAD Per Click	1/4 MOA Per Click 0.1 MRAD Per Click
Adjustment Range Total Travel	60 MOA	29 MRAD Elevation 20 MRAD Windage	100 MOA / 29.1 MRAD Elevation 50 MOA / 14.5 MRAD Windage
Parallax Adjustment Range	15 yds. to Infinity	10 yds. to Infinity	20 yds. to Infinity
Finish	Matte	Matte	Matte
Dimensions (L x W x H)	15.02 x 3.26 x 2.4 in.	14.45 x 3.26 x 2.37 in.	14.23 – 14.33 x 3.63 x 2.9 in.
Weight	24.4 oz.	25.7 oz.	36 oz.
Illumination Source	LED Powered by a CR2032 Lithium Battery	LED Powered by a CR2032 Lithium Battery	LED Powered by a CR2032 Lithium Battery
Tube Diameter	30mm	30mm	34mm



	5-25x50 (TM2550 Series)	5-50x56 (TM5056 Series)	6-24x50 (TM62450 Series)
Eye Relief	2.9 – 3.9 in. 73 – 99mm	3.5 – 3.9 in. 89 – 100mm	3.1 – 3.8 in. 79 – 96mm
Exit Pupil	0.39 – 0.08 in. 10.0 – 2.0mm	0.28 – 0.04 in. 7.2 – 1.1mm	0.29 – 0.08 in. 7.5 – 2.1mm
Field of View (@ 100 yd.) (@ 100m) (degrees)	20.1 – 4.0 ft. 6.7 – 1.3m 3.83° – 0.77°	21.2 – 2.1 ft. 7.1 – 0.7m 4.0° – 0.41°	19.0 – 4.7 ft. 6.3 – 1.6m 3.62° – 0.91°
Focal Plane	Second	Second	Second
Adjuster Style	Exposed / Capped	Exposed / Capped	Capped
Adjustments	0.1 MRAD Per Click	1/8 MOA Per Click 0.05 MRAD Per Click	1/4 MOA Per Click
Adjustment Range Total Travel	14.5 MRAD Elevation 11.6 MRAD Windage	100 MOA / 29.1 MRAD Elevation 50 MOA / 14.5 MRAD Windage	20.4 MRAD Total Travel
Parallax Adjustment Range	25 yds. to Infinity	10 yds. to Infinity	10 yds. to Infinity
Finish	Matte	Matte	Matte
Dimensions (L x W x H)	13.5 x 3.3 x 2.8 in.	16 x 3.6 x 2.9 in.	14.45 x 3.05 x 2.14 in.
Weight	25.6 oz.	38.4 oz.	24.9 oz.
Illumination Source	LED Powered by a CR2032 Lithium Battery	LED Powered by a CR2032 Lithium Battery	LED Powered by a CR2032 Lithium Battery
Tube Diameter	30mm	34mm	30mm

3-18x44

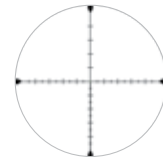


MRAD
Precision Tree

First Focal Plane (FFP) MRAD Precision Tree, 30mm Tube, Exposed Elevation Adjuster with Return-to-Zero Feature

Matte Black: ■ TM1844-C-3000002

4-24x50

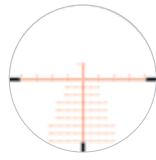


MRAD
Ranging

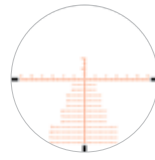
MRAD Ranging LED Dot, 30 mm Tube, Exposed Elevation Adjuster with Return-to-Zero Feature

Matte Black: ■ TM42450 -C-3000007 ■ TM42450 -C-3000008

4.5-30x56 (FFP)



MOA
Precision Tree



MRAD
Precision Tree

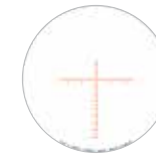
First Focal Plane (FFP) MOA Precision Tree, 34mm Tube, Exposed Elevation Adjuster with Return-to-Zero Feature

Matte Black: ■ TM3056-C-3000012

First Focal Plane (FFP) MRAD Precision Tree, 34mm Tube, Exposed Elevation Adjuster with Return-to-Zero Feature

Matte Black: ■ TM3056-C-3000013

4.5-30x56 (SFP)



MOA
Long Range



MRAD
Long Range

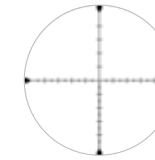
Second Focal Plane (SFP) MOA Long Range, 34mm Tube, Exposed Elevation Adjuster with Return-to-Zero Feature

Matte Black: ■ TM3056-C-3000014

Second Focal Plane (SFP) MRAD Long Range, 34mm Tube, Exposed Elevation Adjuster with Return-to-Zero Feature

Matte Black: ■ TM3056-C-3000015

5-25x50

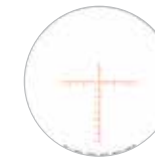


MRAD
Center Dot

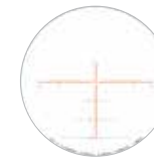
MRAD Center Dot, 30mm Tube, Exposed Elevation Adjuster with Return-to-Zero Feature

Matte Black: ■ TM2550-C-3000011

5-50x56



MOA
Long Range



MRAD Center Dot
with Wind Holds

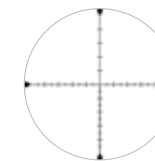
MOA Long Range, 34mm Tube, Exposed Elevation Adjuster with Return-to-Zero Feature

Matte Black: ■ TM5056-C-3000016

MRAD Center Dot w/ Wind Holds, 34mm Tube, Exposed Elevation Adjuster with Return-to-Zero Feature

Matte Black: ■ TM5056-C-3000017

6-24x50



LED Dot
MRAD Ranging

LED Dot MRAD Ranging, 30mm Tube, Low Capped Adjusters

Matte Black: ■ TM62450-C-3000005 ■ TM62450-C-3000006



Trijicon

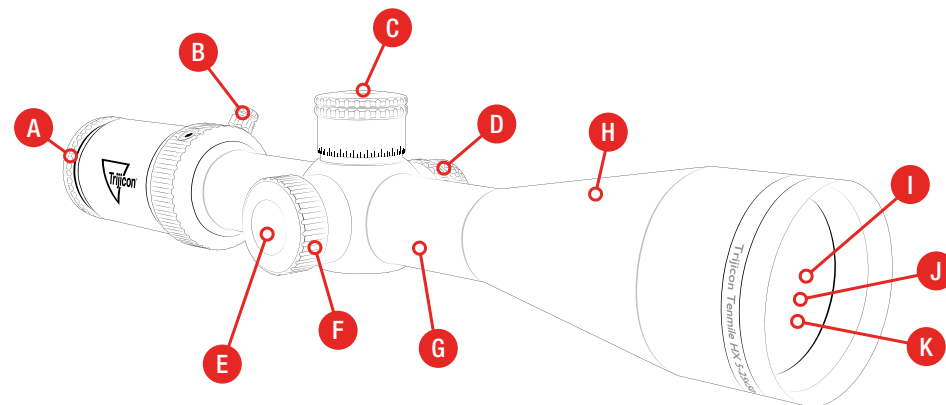
Tenmile™ HX

HERE'S TO CARRYING OUT MORE THAN YOU CARRY IN.

When you need to dial in long-range shots in the toughest environments, trust the Trijicon Tenmile™ HX rifle scope. Equipped with illuminated precision hunting reticles, outstanding glass, and rugged construction, the Tenmile HX stands up to anything nature throws at you.

Features and Benefits

- A Easy-Focus Eyepiece**
Diopter accommodates the shooter's individual prescription.
- B Re-positionable Magnification Lever**
Accommodates different shooting positions and rifle configurations.
- C Optimal Flexibility**
Generous windage and elevation adjustment for maximum total travel.
- D Confident Aiming in Any Light**
User-selectable LED brightness settings with an "off" in between each setting to adapt to any environment.
- E Quick & Easy Adjustments**
Crisp, precise, windage/elevation adjusters require no tools and are designed to prevent accidental shift.
- F Purpose-Driven Design**
Sleek finish and low-profile controls prevent snagging.
- G Increased Adjuster Range**
30mm tube offers increased durability and adjuster range.
- H Ultra Durable for Ensured Reliability**
Ruggedized design engineered to withstand extreme conditions and tested to military standards and protocols.
- I Edge-to-Edge Clarity**
Fully multi-coated, broadband, anti-reflective glass provides excellent light transmission, true detail, and color with zero distortion.
- J "Both-Eyes-Open" Shooting**
Illuminated reticles provide a clear aiming point that draws the shooter's eye for fast engagement.
- K Pinpoint Aiming in Any Condition**
Precise milling and holdover reticles available in first or second focal plane for ensured accuracy.

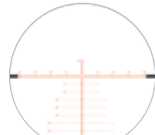




	3-18x44 (TMHX1844 Series)	3-18x50 (TMHX1850 Series)
Eye Relief	3.4 – 3.9 in. 87 – 100mm	3.4 – 4.0 in. 87 – 101mm
Exit Pupil	0.45 – 0.09 in. 11.4 – 2.4mm	0.45 – 0.11 in. 11.4 – 2.8mm
Field of View (@ 100 yd.) (@ 100m) (degrees)	35.3 – 5.9 ft. 11.8 – 2.0m 6.73° – 1.12°	34.7 – 5.8 ft. 11.6 – 1.9m 6.62° – 1.11°
Focal Plane	First	Second
Adjuster Style	Exposed / Capped	Capped
Adjustments	1/4 MOA Per Click	0.1 MRAD Per Click
Adjustment Range Total Travel	60 MOA	17 MRAD
Parallax Adjustment Range	15 yds. to Infinity	15 yds. to Infinity
Finish	Satin	Satin
Dimensions (L x W x H)	15.02 x 3.26 x 2.4 in.	14.87 x 3.26 x 2.59 in.
Weight	24.4 oz.	25.7 oz.
Illumination Source	LED Powered by CR2032 Lithium Battery	LED Powered by CR2032 Lithium Battery
Tube Diameter	30mm	30mm

	5-25x50 (TMHX2550 Series)	6-24x50 (TMHX2450 Series)
Eye Relief	2.9 – 3.9 in. 73 – 99mm	3.1 – 3.8 in. 79 – 96mm
Exit Pupil	0.39 – 0.08 in. 10.0 – 2.0mm	0.29 – 0.08 in. 7.5 – 2.1mm
Field of View (@ 100 yd.) (@ 100m) (degrees)	20.1 – 4.0 ft. 6.7 – 1.3m 3.83° – 0.77°	19.0 – 4.7 ft. 6.3 – 1.6m 3.62° – 0.91°
Focal Plane	Second	Second
Adjuster Style	Exposed / Capped	Capped
Adjustments	1/4 MOA Per Click	1/4 MOA Per Click
Adjustment Range Total Travel	50 MOA Elevation 40 MOA Windage	70 MOA
Parallax Adjustment Range	25 yds. to Infinity	10 yds. to Infinity
Finish	Satin	Satin
Dimensions (L x W x H)	13.5 x 3.3 x 2.8 in.	14.45 x 3.05 x 2.14 in.
Weight	25.6 oz.	24.9 oz.
Illumination Source	LED Powered by CR2032 Lithium Battery	LED Powered by CR2032 Lithium Battery
Tube Diameter	30mm	30mm

3-18x44

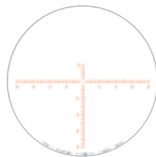


MOA
Precision Tree

First Focal Plane (FFP) MOA Precision Tree, 30mm Tube, Exposed Elevation Adjuster with Return-to-Zero Feature

Satin Black:  TMHX1844-C-3000001

3-18x50

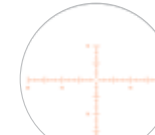


MRAD
Center Dot

MRAD Center Dot, 30mm Tube, Exposed Elevation Adjuster with Return-to-Zero Feature

Satin Black:  TMHX1850-C-3000009

5-25x50

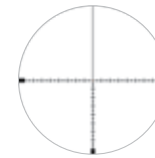


MOA
Center Dot

MOA Center Dot, 30mm Tube, Exposed Elevation Adjuster with Return-to-Zero Feature



Satin Black:  TMHX2550-C-3000010

6-24x50



LED Dot
MOA Ranging

LED Dot MOA Ranging LED Dot, 30mm Tube, Low Capped Adjusters

Satin Black:  TMHX2450-C-3000003  TMHX2450-C-3000004





REFLEX SIGHTS



RMR®



»NEW SRO®



MRO®



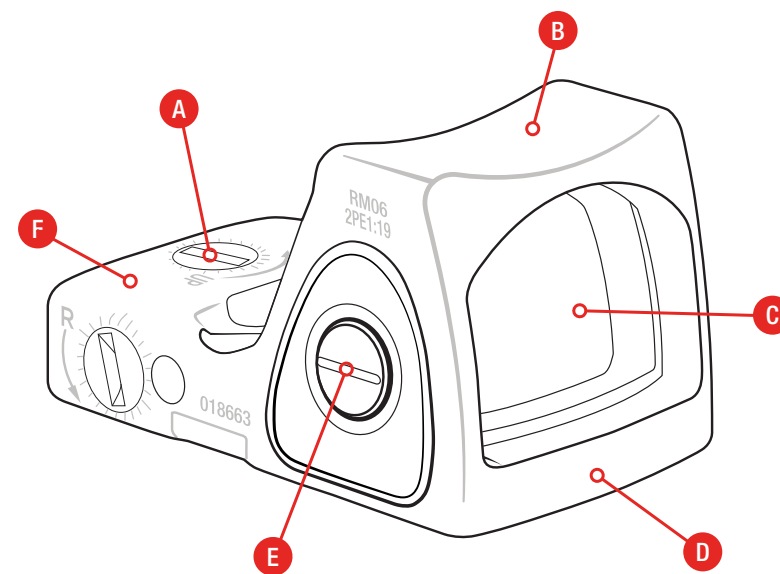
Trijicon® Reflex



MGRS®

Features and Benefits

- A Adjustable Windage/Elevation**
Easily adjustable without special tools. 1 MOA per click.
- B Rugged, Patented Housing Shape**
Military-grade, aluminum alloy-forged housing shape diverts force of impact away from the lens, greatly increasing its durability.
- C True-Color, Multi-Coated Lens**
Wide-band light transmission for minimal change in target area color.
- D True Versatility**
Multiple primary applications including rifle, pistol, shotgun and carbine, or use as a secondary sight with a magnified optic.
- E Dependable Design**
Electronic models offer ruggedized battery contacts and electronics that ensure performance and survivability in harsh environments.
- F Shock-Resistant**
Proven to withstand recoil from a .22LR to a .50BMG and everything in between. Easily passes U.S. Military drop test requirements.
- G Available in Many Models & Red Dot Sizes/Colors**
Choose from Adjustable LED, Dual-Illuminated (battery-free), LED and HRS models, with multiple dot sizes and colors available.



Trijicon
RMR[®]

RUGGED. ACCURATE. PROVEN.

Selected by the U.S. Special Operations Command (USSOCOM) for the Handgun Reflex Sight (HRS) Contract, the Trijicon RMR[®] (Ruggedized Miniature Reflex) is designed to be as durable as the legendary Trijicon ACOG[®] while also improving precision and accuracy with any style or caliber of firearm. The RMR is designed with a patented housing shape that absorbs impacts and diverts stresses away from the lens to increase durability.



	Adjustable LED
Magnification	1x
Sight Window	.87 x .63 in. 22 x 16mm
Lens	Tempered Glass
Adjustments	1 Click = 1 MOA
Adjustment Range (Elevation & Windage)	150 MOA Total Travel
Dimensions (L x W x H)	1.8 x 1.2 x 1.0 in. 46 x 30 x 25mm
Weight	1.17 oz. (w/ battery) 33.2g
Illumination Source	LED Powered by a CR2032 Lithium Battery
Battery Life	4+ Years of Continuous Use* at Setting 4 of 8
Brightness Settings	Automatic and 8 Adjustable Settings
Available Mounting Adapters	Picatinny Rail, Weaver Rail, ACOG® Add-On, Rifle Scope Add- On, Pistol, Double-Barreled Rifle



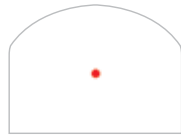
LED	Dual-Illuminated
1x	1x
.87 x .63 in. 22 x 16mm	.87 x .63 in. 22 x 16mm
Tempered Glass	Tempered Glass
1 Click = 1 MOA	1 Click = 1 MOA
150 MOA Total Travel	150 MOA Total Travel
1.8 x 1.1 x 1.0 in. 46 x 28 x 25mm	1.8 x 1.2 x 1.0 in. 46 x 30 x 25mm
1.2 oz. (w/ battery) 34g	1.2 oz. 34g
LED Powered by a CR2032 Lithium Battery	Fiber Optics & Tritium
2 Years of Typical Use*, 5 Years in Dark Storage	N/A
Automatic	N/A
Picatinny Rail, Weaver Rail, ACOG® Add-On, Rifle Scope Add- On, Pistol, Double-Barreled Rifle	Picatinny Rail, Weaver Rail, ACOG® Add-On, Rifle Scope Add- On, Pistol, Double-Barreled Rifle



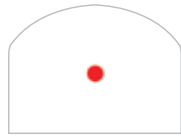
LED	Dual-Illuminated
1x	1x
.87 x .63 in. 22 x 16mm	.87 x .63 in. 22 x 16mm
Tempered Glass	Tempered Glass
1 Click = 1 MOA	1 Click = 1 MOA
150 MOA Total Travel	150 MOA Total Travel
1.8 x 1.1 x 1.0 in. 46 x 28 x 25mm	1.8 x 1.2 x 1.0 in. 46 x 30 x 25mm
1.2 oz. (w/ battery) 34g	1.2 oz. 34g
LED Powered by a CR2032 Lithium Battery	Fiber Optics & Tritium
2 Years of Typical Use*, 5 Years in Dark Storage	N/A
Automatic	N/A
Picatinny Rail, Weaver Rail, ACOG® Add-On, Rifle Scope Add- On, Pistol, Double-Barreled Rifle	Picatinny Rail, Weaver Rail, ACOG® Add-On, Rifle Scope Add- On, Pistol, Double-Barreled Rifle

*When used at 70°F (21°C). Extreme temperatures (high or low) will affect lithium battery performance.

RMR® Type 2 LED



3.25 MOA Dot



6.5 MOA Dot

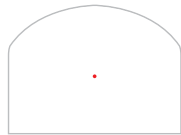
3.25 MOA Dot

Black:	■ RM01-C-700600
Sniper Gray:	■ RM01-C-700622
OD Green:	■ RM01-C-700623
FDE:	■ RM01-C-700624

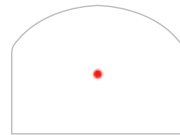
6.5 MOA Dot

Black:	■ RM02-C-700607
Sniper Gray:	■ RM02-C-700643
OD Green:	■ RM02-C-700644
FDE:	■ RM02-C-700645

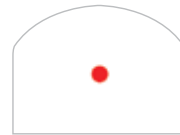
RMR® Type 2 Adjustable LED



1.0 MOA Dot



3.25 MOA Dot



6.5 MOA Dot

1.0 MOA Dot

Black:	■ RM09-C-700742
Sniper Gray:	■ RM09-C-700743
OD Green:	■ RM09-C-700744
FDE:	■ RM09-C-700745

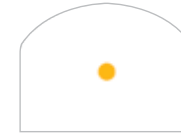
3.25 MOA Dot

Black:	■ RM06-C-700672
Sniper Gray:	■ RM06-C-700694
OD Green:	■ RM06-C-700695
FDE:	■ RM06-C-700696

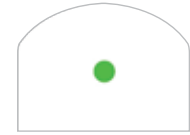
6.5 MOA Dot

Black:	■ RM07-C-700679
Sniper Gray:	■ RM07-C-700715
OD Green:	■ RM07-C-700716
FDE:	■ RM07-C-700717

RMR® Dual-Illuminated



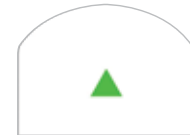
7.0 MOA Dot



9.0 MOA Dot



13.0 MOA Dot



12.9 MOA Triangle

7.0 MOA Dot

Black:	■ RM04
Sniper Gray:	■ RM04-C-700163
OD Green:	■ RM04-C-700164
FDE:	■ RM04-C-700165

9.0 MOA Dot

Black:	■ RM05	■ RM05G
Sniper Gray:	■ RM05-C-700187	■ RM05-C-700208
OD Green:	■ RM05-C-700188	■ RM05-C-700209
FDE:	■ RM05-C-700189	■ RM05-C-700210

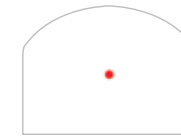
13.0 MOA Dot

Black:	■ RM03
Sniper Gray:	■ RM03-C-700142
OD Green:	■ RM03-C-700143
FDE:	■ RM03-C-700144

12.9 MOA Triangle

Black:	■ RM08A	■ RM08G
Sniper Gray:	■ RM08-C-700256	■ RM08-C-700280
OD Green:	■ RM08-C-700257	■ RM08-C-700281
FDE:	■ RM08-C-700258	■ RM08-C-700282

RMR® HRS



3.25 MOA Dot

Hard-Anodized Coyote Brown HRS

FDE:	■ RM06-C-700780
------	-----------------



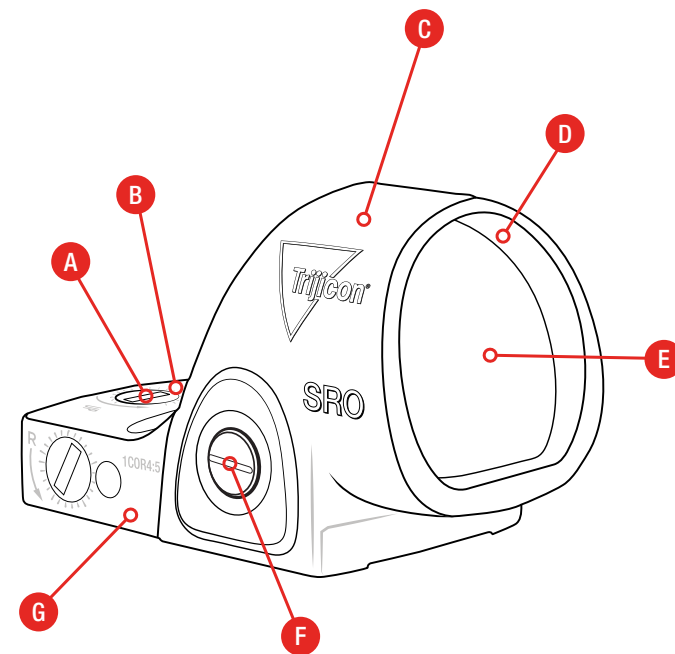
Trijicon SRO[®]

**FASTER TARGET ACQUISITION STARTS WITH
FASTER RED DOT ACQUISITION.**

The Trijicon SRO[®] (Specialized Reflex Optic) is designed with a maximized field of view and a clean, crisp red dot that deliver improved pistol accuracy in competitive-shooting and target-shooting applications. It's also engineered with Trijicon's legendary durability, so it can withstand abuse on and off the range.

Features and Benefits

- A Easily Adjustable Windage & Elevation**
Tool-less design makes zeroing hassle-free.
- B Top-Loading Battery**
Battery changes are easy, with no need to dismount the optic; Uses common CR2032 battery.
- C Rugged, Durable Construction**
7075-T6 forged aluminum housing; waterproof up to 10 ft. (3m).
- D Large, Unobstructive Field of View**
Find the red dot with ease; parallax free.
- E Clear, Crisp Red Dot**
Finely tuned illuminated reticle, coupled with an exceptionally clear front lens, offer clear sight picture.
- F Intuitive, Easy-to-Adjust Illumination Controls**
8 brightness settings, including 1 super bright mode and 2 night vision modes.
- G Identical Footprint as RMR[®]**
Mounts easily on popular red-dot-ready pistols using the same base as Trijicon RMR[®].

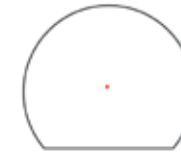




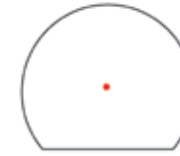
	SRO®
Magnification	1x
Sight Window	.98 x .89 in. 25 x 22.5mm
Lens	Tempered Glass
Adjustments	1 Click = 1 MOA
Adjustment Range (Elevation & Windage)	150 MOA Total Travel
Dimensions (L x W x H)	2.2 x 1.3 x 1.4 in. 55 x 32 x 34mm
Weight	1.6 oz. (w/battery) [46g]
Illumination Source	LED Powered by a CR2032 Lithium Battery
Battery Life	3 Years at Setting 4*
Brightness Settings	Automatic & 8 Adjustable Settings

*When used at 70°F (21°C) on setting 4 of 6 with supplied alkaline battery. Extreme temperatures (high or low) will affect battery performance.

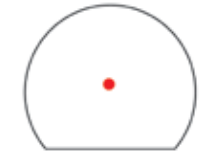
SRO®



1.0 MOA Red Dot



2.5 MOA Red Dot



5.0 MOA Red Dot

Adjustable LED 1.0 MOA Red Dot

Black:  SR01-C-2500001

Adjustable LED 2.5 MOA Red Dot

Black:  SR02-C-2500002

Adjustable LED 5.0 MOA Red Dot

Black:  SR03-C-2500003





Trijicon

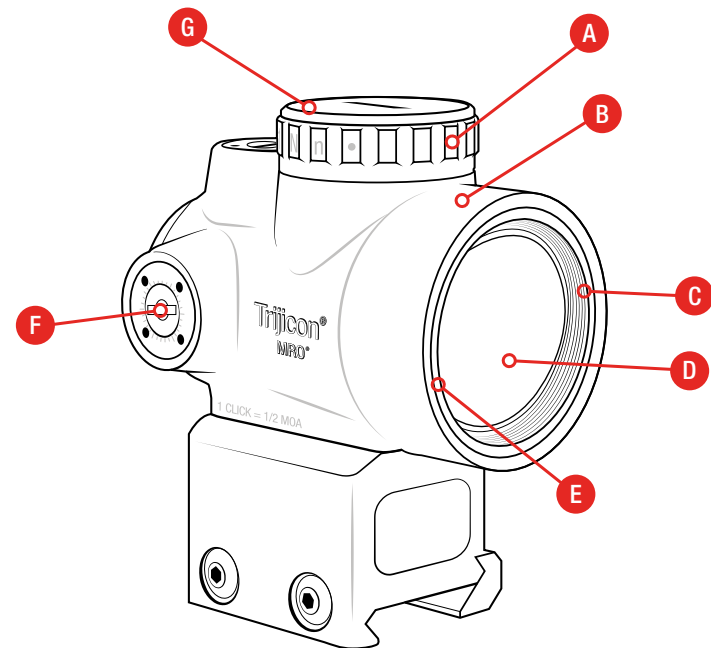
MRO®

FAST TARGET ACQUISITION EVERY TIME

The Trijicon MRO® (Miniature Rifle Optic) is a sealed miniature reflex sight intended for use on rifles, carbines and shotguns to provide fast target acquisition. The large aperture and tapered light path maximize the viewing area and allow for better situational awareness and fast target engagement — especially from non-standard shooting positions.

Features and Benefits

- A Ambidextrous Brightness Control**
Easy usage by left- or right-handed operators without having to remove hand from fire control.
- B Aircraft-Grade Aluminum Housing**
Forged 7075 housing and fully sealed construction protects against the toughest elements; waterproof to 100 ft. (30m).
- C Large Viewing Area**
Allows faster target acquisition and engagement with reduced “tube effect.”
- D Superior Quality Glass**
Multi-coated lenses provide superior clarity and light-gathering capabilities with zero distortion and provide for a crisp dot reticle.
- E Small Footprint**
Specifically engineered with a slightly canted objective lens, allowing for a shorter optic while minimizing reflections.
- F Sub-Flush, Easy-to-Set Adjusters**
Eliminates snag hazards and maintains zero; provides positive-click reticle movement in ½-MOA increments; and requires no special tools for operation.
- G Long Battery Life**
Up to 5 years of continuous use with single lithium CR2032 battery.*



*Red dot MRO on setting 5 of 8 at 70°F (21°C) with supplier lithium battery.



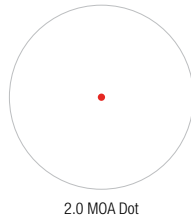
»NEW

System	MRO® Red Dot	MRO® Green Dot
Magnification	1x	1x
Objective Size	25mm	25mm
Clear Aperture	0.805 in. 20.4mm	0.805 in. 20.4mm
Eye Relief	Infinite	Infinite
Adjustments	1 Click = ½ MOA	1 Click = ½ MOA
Adjustment Range (Elevation & Windage)	70 MOA Total Travel	70 MOA Total Travel
Dimensions (L x W x H)	2.6 x 1.7 x 2.0 in. 66 x 43 x 51mm	2.6 x 1.7 x 2.0 in. 66 x 43 x 51mm
Weight Without Mount	4.1 oz. (w/Supplied Lithium Battery) 116g	4.1 oz. (w/Supplied Lithium Battery) 116g
Illumination Source	LED Powered by CR2032 Lithium Battery	LED Powered by CR2032 Lithium Battery
Available Mounting Adapters	Picatinny Rail (in "Low," Full Co-Witness, and Lower 1/3 Co-Witness Heights)	Picatinny Rail (in "Low," Full Co-Witness, and Lower 1/3 Co-Witness Heights)
Battery Life	5 Years of Continuous Use* at Day-Setting 3	1 Years of Continuous Use* at Day-Setting 3
Brightness Settings	8 Total Settings: 2 Night Vision, 5 Day Settings, 1 Super-Bright	8 Total Settings: 2 Night Vision, 5 Day Settings, 1 Super-Bright

MRO® Patrol	MRO® HD	
1x	1x	
25mm	25mm	
0.805 in. 20.4mm	0.805 in. 20.4mm	
Infinite	Infinite	
1 Click = ½ MOA	1 Click = ½ MOA	
70 MOA Total Travel	70 MOA Total Travel	
3.6 x 1.8 x 2.0 in. 91 x 43 x 51mm	2.9 x 1.7 x 2.0 in. 75 x 43 x 51mm	
5.0 oz. (w/Supplied Lithium Battery) 141.7g	4.6 oz. (w/Supplied Lithium Battery) 130g	
LED Powered by CR2032 Lithium Battery	LED Powered by CR2032 Lithium Battery	
Picatinny Rail (Full Co-Witness, and Lower 1/3 Co-Witness Heights)	Picatinny Rail (in "Low," Full Co-Witness, and Lower 1/3 Co-Witness Heights)	
5 Years of Continuous Use* at Day-Setting 3	Red Dot: 2.5 years Reticle: 75 Days	
8 Total Settings: 2 Night Vision, 5 Day Settings, 1 Super-Bright	16 Total Settings (8 for each reticle)	
	Red Dot: 2 Night Vision, 5 Day Settings, 1 Super-Bright	Reticle: 2 Night Vision, 5 Day Settings, 1 Super-Bright

*When used at 70°F (21°C). Extreme temperatures (high or low) will affect lithium battery performance.

1x25 MRO® (Red Dot)



2.0 MOA Dot

2.0 MOA Adjustable Red Dot (without Mount)

Black: ■ MRO-C-2200003

2.0 MOA Adjustable Red Dot with Low Mount

Black: ■ MRO-C-2200004

2.0 MOA Adjustable Red Dot with Full Co-Witness Mount

Black: ■ MRO-C-2200005

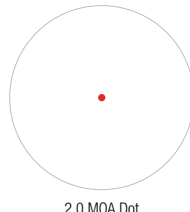
2.0 MOA Adjustable Red Dot with Lower 1/3 Co-Witness Mount

Black: ■ MRO-C-2200006

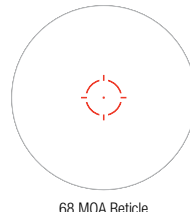
MRO® HD (Red Dot | Reticle)



»NEW



2.0 MOA Dot



68 MOA Reticle

68 MOA Reticle with 2.0 MOA Dot

Black: ■ MRO-C-2200050

68 MOA Reticle with 2.0 MOA Dot with Low Mount

Black: ■ MRO-C-2200051

68 MOA Reticle with 2.0 MOA Dot with Full Co-Witness Mount

Black: ■ MRO-C-2200052

68 MOA Reticle with 2.0 MOA Dot with Lower 1/3 Co-Witness Mount

Black: ■ MRO-C-2200053

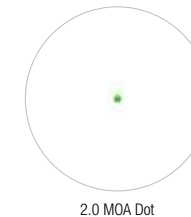
Trijicon MRO® HD Combo Set; 68 MOA Reticle with 2.0 MOA Dot with Full Co-Witness Mount & 3x Magnifier with Adjustable Height Quick Release, Flip to Side Mount

Black: ■ MRO-C-2200057

Trijicon® 3x Magnifier with Adjustable Height Quick Release, Flip to Side Mount

Black: ■ MAG-C-2600001

1x25 MRO® (Green Dot)



2.0 MOA Dot

2.0 MOA Dot Adjustable Green Dot (without Mount)

Black: ■ MRO-C-2200028

2.0 MOA Dot Adjustable Green Dot with Low Mount

Black: ■ MRO-C-2200029

2.0 MOA Dot Adjustable Green Dot with Full Co-Witness Mount

Black: ■ MRO-C-2200030

2.0 MOA Dot Adjustable Green Dot with Lower 1/3 Co-Witness Mount

Black: ■ MRO-C-2200031

2.0 MOA Dot Adjustable Green Dot with Low-Levered Quick-Release Mount

Black: ■ MRO-C-2200032

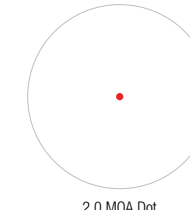
2.0 MOA Dot Adjustable Green Dot with Full Co-Witness Levered Quick-Release Mount

Black: ■ MRO-C-2200033

2.0 MOA Dot Adjustable Green Dot with Lower 1/3 Co-Witness Levered Quick-Release Mount

Black: ■ MRO-C-2200034

1x25 MRO® Patrol (Red Dot)



2.0 MOA Dot

2.0 MOA Adjustable Red Dot (without Mount) with KillFlash and Flip Caps

Black: ■ MRO-C-2200017

2.0 MOA Adjustable Red Dot with Lower 1/3 Co-Witness Mount, KillFlash and Flip Caps

Black: ■ MRO-C-2200018

2.0 MOA Adjustable Red Dot with Full Co-Witness Mount, KillFlash and Flip Caps

Black: ■ MRO-C-2200019



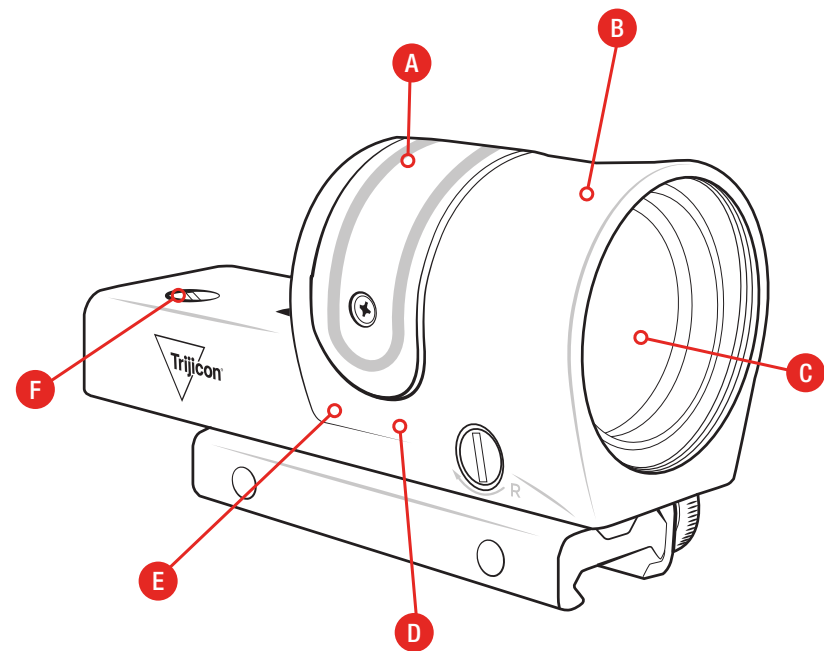
Trijicon® Reflex

AS ACCURATE AS IT IS VERSATILE

The Trijicon® Reflex sight is a robust, battery-free, illuminated sight. Designed for close-quarter engagement, the Reflex offers fast target acquisition while maintaining pinpoint accuracy. It allows users such as the U.S. Military and law enforcement to shoot with “both eyes open”—a critical advantage. With several mounting adapters available, this versatile sight is a proven choice for rifles, carbines and shotguns.

Features and Benefits

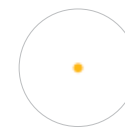
- A Battery-Free Illuminated**
A combination of fiber optics and tritium provides an illuminated reticle. No batteries needed.
- B Durable Aluminum-Alloy Housing**
Aircraft-aluminum-alloy housing provides for a nearly indestructible sighting system.
- C True-Color, Multi-Coated Lenses**
Offer wide-band light transmission.
- D Versatile Sight**
Multiple platform applications including bolt-action rifle, shotgun and carbine.
- E Shock Resistant**
Designed to withstand shock from various weapon platforms.
- F Surface Flush Adjusters**
Easy to adjust; built to maintain zero even after dropping.



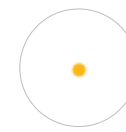


	1x24	1x42
Magnification	1x	1x
Objective Size	24mm	42mm
Clear Aperture	0.95 in. 24mm	1.54 in. 39mm
Adjustments	1 Click = 1 MOA	1 Click = 1 MOA
Adjustment Range (Elevation & Windage)	60 MOA Total Travel	60 MOA Total Travel
Dimensions (L x W x H)	4.25 x 1.35 x 1.65 in. 108 x 34 x 42mm	5.0 x 2.1 x 2.2 in. 127 x 53 x 56mm
Weight	4.2 oz. 119g	8.7 oz. 246.6g
Illumination Source	Fiber Optics & Tritium	Fiber Optics & Tritium
Available Mounting Adapters	Carry Handle, Picatinny Rail, Weaver Rail, AK47	Carry Handle, Picatinny Rail, Weaver Rail, AK47

1x24



4.5 MOA Dot



6.5 MOA Dot



12.9 MOA Triangle

4.5 MOA Dot **ITAR**

Black:  RX01NSN

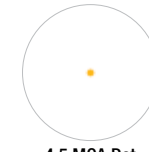
6.5 MOA Dot

Black:  RX01

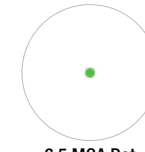
12.9 MOA Triangle

Black:  RX06

1x42








4.5 MOA Dot








6.5 MOA Dot

4.5 MOA Dot

Black:  RX34  RX34-C-800112
 Sniper Gray:  RX34-C-800092
 OD Green:  RX34-C-800092
 FDE:  RX34-C-800092

6.5 MOA Dot

Black:  RX30  RX30-C-800113
 Sniper Gray:  RX30-C-800065
 OD Green:  RX30-C-800066
 FDE:  RX30-C-800067



Trijicon

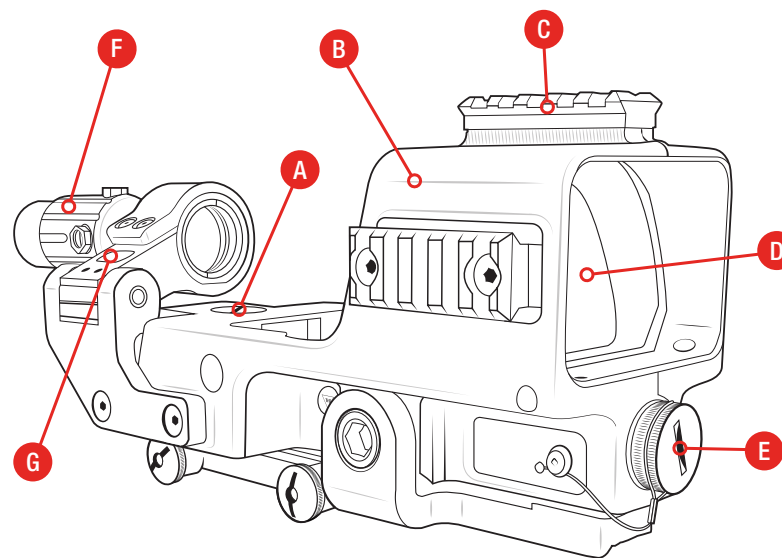
MGRS®

BECOME A FIRST-ROUND-HIT MACHINE

The Trijicon MGRS® (Machine Gun Reflex Sight) is a non-magnified optic that mounts to both the M2 and M240 machine guns. Intended to aid the machine gunner in rapid target acquisition and engagement, the MGRS allows “both-eyes-open” engagement from a natural shooting position. Accuracy is enhanced by use of machine-gun-specific, interchangeable range dials.

Features and Benefits

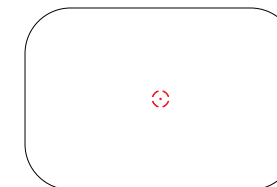
- A Windage & Elevation Adjustments**
Includes elevation and azimuth adjustment to 100 MOA total travel.
- B 35 MOA-Segmented Circle with 3 MOA Dot**
Significantly increases the probability of first-round hits.
- C Three Detachable Picatinny Rails**
Detachable rails allow for mounting of lasers and LRFs to the top or side of optic.
- D Large Objective Lens**
Ample 3 in. x 2 in. viewing area.
- E Easily Accessible Battery Compartment**
Requires one CR123A lithium battery.
- F 3x Magnifier**
Built to work with the Trijicon MGRS® for the ultimate first-round hit solution.
- G Magnifier Flip Mount**
Attaches the 3x MGRS Magnifier to MGRS main body and allows for flip-to-the-side control.





	MGRS®	MGRS® Mag Combo
Magnification	1x	3x
Reticle Pattern	35 MOA Segmented Circle with 3 MOA Dot	35 MOA Segmented Circle with 3 MOA Dot
Day Reticle Color	Red	Red
Housing material	7075-T6 Forged Aluminum	7075-T6 Forged Aluminum
Immersion	Waterproof to 2m (6.6 ft.)	Waterproof to 2m (6.6 ft.)
Adjustment Range (Elevation & Windage)	100 MOA Total Travel	40 MOA Total Travel
Dimensions (L x W x H)	8.78 x 4.38 x 5.22 in. 108 x 34 x 42mm	12.1 x 4.4 x 5.3 in. 136 x 34 x 42mm
Weight	66.9 oz. 4.18 lbs.	72.49 oz. 4.53 lbs.
Range	Interchangeable Range Knobs for M2 and M240	Interchangeable Range Knobs for M2 and M240
Illumination Source	LED Powered by a CR123A Lithium Battery	LED Powered by a CR123A Lithium Battery

MGRS®

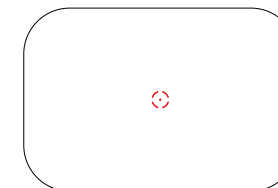


35 MOA-Segmented Circle with 3 MOA Dot

35 MOA-Segmented Circle with 3 MOA Dot

Black: ■ MGRS-D-2300002

MGRS® Mag Combo



35 MOA-Segmented Circle with 3 MOA Dot

35 MOA-Segmented Circle with 3 MOA Dot with 3x Magnifier and Integrated Mount

Black: ■ MGRS-D-2300005



MGRS® Magnifier: 3x magnifier built to work with the Trijicon MGRS (TA50-C-400301)



MGRS® MAG Flip Mount: Attaches the 3x MGRS Magnifier to MGRS main body (AC32072)

The Trijicon MGRS® MAG 3x Magnifier is built to work with the MGRS for the ultimate first-round hit solution. It is shown here with a flip-to-the-side mount sold separately or with the MGRS/MAG Combo. Reticles not shown to scale.



Trijicon®

Iron Sights

THE FIRST CHOICE OF PROFESSIONALS

There's a reason so many Trijicon® iron sights are trusted by local, state and federal law enforcement agencies, as well as the most discerning pistol sports shooters on the planet: they're designed for faster target acquisition in any lighting situation, as well as designed to take on abuse and still operate with precision. Upgrade your iron sights with proven, superior aiming technology.

IRON SIGHTS



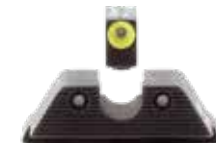
**Trijicon®
Fiber Sights**



**Bright & Tough™
Night Sights**



**Bright & Tough™
Suppressor Night Sights**



HD™ Night Sights



**HD XR™
Night Sights**

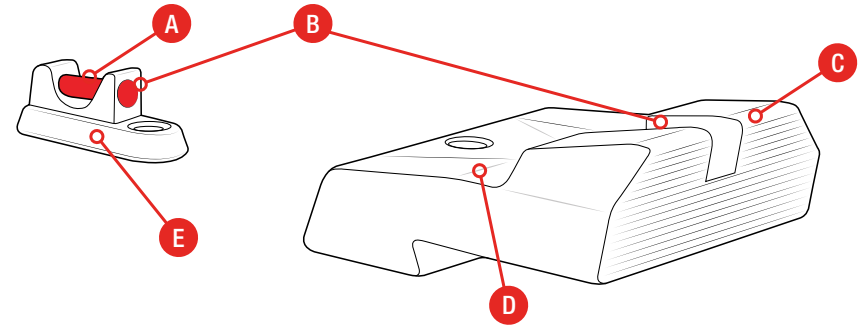


**TrijiDot® Fiber Optic
Shotgun Sights**

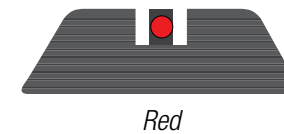
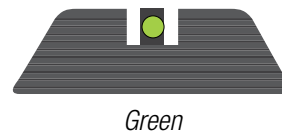
Firearm Manufacturers	Trijicon® Fiber Sights	Bright & Tough™ Night Sights	Bright & Tough™ Suppressor Sights	HD™ Night Sights	HD XR™ Night Sights
1911	✓	✓		✓	
AR15/M16		✓			
Beretta		✓		✓	✓
Browning		✓			
Colt		✓		✓	
CZ	✓	✓			✓
Desert Eagle		✓			
Firestar		✓			
FN America	✓	✓	✓	✓	✓
Glock	✓	✓	✓	✓	✓
H&K	✓	✓	✓	✓	✓
Kimber		✓			
Remington		✓		✓	
Ruger		✓		✓	
Sig Sauer	✓	✓	✓	✓	✓
Smith & Wesson	✓	✓	✓	✓	✓
Springfield Armory	✓	✓	✓	✓	✓
Steyr-Mannlicher		✓			
Taurus		✓			
Walther	✓	✓		✓	

Features and Benefits

- A Highly Visible Front Sight**
A bright front post fiber (.060 in. diameter) combined with a subdued rear sight promotes acquisition of front sight and target.
- B Clear, Precise Sight Picture**
The .110 in. width front post and .125 in. wide rear notch allow for a refined sight picture in a variety of shooting environments.
- C Comfortable to Conceal**
Rounded edges of rear sight reduce snag points for improved comfort while carrying.
- D One-Handed Manipulation**
Steeply hooked front surface of rear sight assists in emergency one-handed slide manipulations.
- E Withstands Rigorous, Everyday Pistol Use**
Using leading-edge Trijicon® fiber optic materials and decades of iron sight development, this sight is designed to withstand rigorous shooting, holstering and rough slide handling.



Available Fiber Colors:



Trijicon® Fiber Sights come from the factory with a red fiber preinstalled on the front sight, along with additional red and green fiber replacements. Additional fiber replacements are available for purchase.

Trijicon Bright & Tough™ Night Sights

Features and Benefits

A Visible Sight Picture In No-Light/Low-Light Situations

Tritium phosphor-filled glass lamp provides battery-free glow for a visible sight picture in all lighting situations.

B Enhanced Protection from Heavy Recoil and Harsh Cleaning Solvents

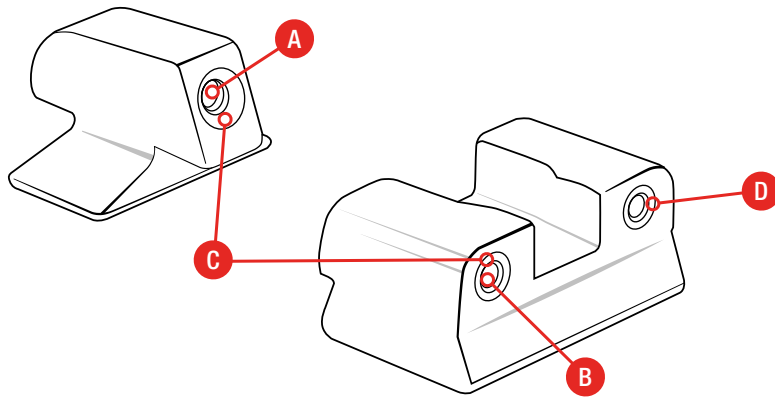
Tritium gas lamps are contained within protective aluminum sleeve cushioned with silicone for maximum durability and are capped with a sapphire jewel to protect the lamp from puncture and solvents.

C Daylight Dot Visibility

White-painted rings around tritium lamps enhance user's ability to see sight picture in bright-light shooting situations.

D Evenly Distributes Light From Tritium Lamps

Each Trijicon tritium lamp is capped with a sapphire jewel that helps evenly distribute the light, providing a uniform brightness for crisp, clear low-light performance.



Color Combinations:



Front: White Outline / Green Lamp
Rear: White Outline / Green Lamps



Front: White Outline / Green Lamp
Rear: White Outline / Yellow Lamps



Front: White Outline / Green Lamp
Rear: White Outline / Orange Lamps

Trijicon Bright & Tough™ Suppressor Night Sights

Features and Benefits

A Increased Height To Accommodate Multiple Applications

Specifically engineered to be as robust as possible while still allowing use with a suppressor or as backup iron sights for a slide-mounted red dot sight, such as the Trijicon RMR® or Trijicon SRO®.

B Instant Sight Picture in No-Light and Low-Light Situations

Tritium phosphor-filled glass lamp provides battery-free glow, allowing for a visible sight picture in all lighting situations.

C Increased Daylight Dot Visibility

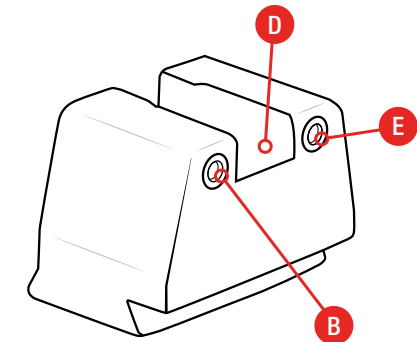
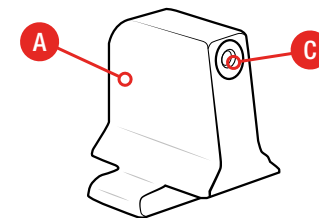
White-painted rings around tritium lamps enhance user's ability to see sight picture in bright-light shooting situations.

D Enhanced Protection from Heavy Recoil and Harsh Cleaning Solvents

Tritium gas lamps are contained within protective aluminum cylinders cushioned with silicone for maximum durability and are capped with a sapphire jewel to protect the lamp from puncture and solvents.

E Evenly Distributed Light From Tritium Lamps

Each Trijicon tritium lamp is capped with a sapphire jewel that helps evenly distribute the light, providing a uniform brightness for crisp, clear low-light performance.



Glock® Color Combinations:



Front: White Outline
Rear: White Outline



Front: Black Outline
Rear: Black Outline



Front: White Outline
Rear: Black Outline

All Other Manufacturer Color Combinations:



Front: White Outline / Green Lamp
Rear: White Outline / Green Lamps

Tritium Color Combinations:



Front: Green Lamp
Rear: Green Lamps



Front: Green Lamp
Rear: Yellow Lamps



Front: Green Lamp
Rear: Orange Lamps

Trijicon HD™ Night Sights

Features and Benefits

A Enhanced Front-Sight Acquisition In Bright, Transitional, and No-Light Situations

Glow-in-the-dark, photoluminescent-painted front outline combines with a “U” notch rear and black-painted rear outlines to quickly draw your eye to the front post in all lighting conditions.

B Evenly Distributed Light From Tritium Lamps

Each Trijicon® tritium lamp is capped with a sapphire jewel that helps evenly distribute the light, providing a uniform brightness for crisp, clear low-light performance.

C Visible Sight Picture In No-Light and Low-Light Situations

Tritium phosphor-filled glass lamp illuminates sights for high visibility in all lighting situations.

D One-Handed Slide Manipulation

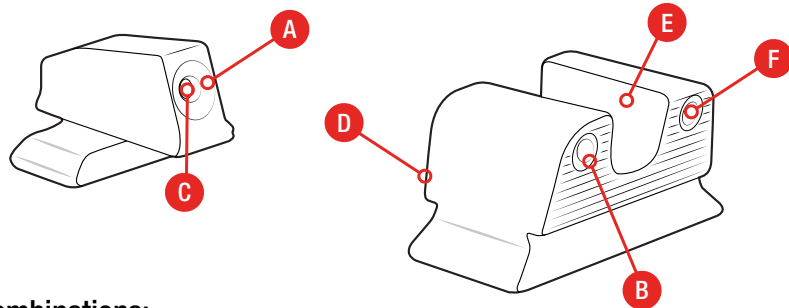
Steeply hooked front surface of rear sight to assist in emergency, one-handed slide manipulation.

E Enhanced Protection from Heavy Recoil and Harsh Cleaning Solvents

Tritium gas lamps are contained within protective aluminum cylinders cushioned with silicone for maximum durability and are capped with a sapphire jewel to protect the lamp from puncture and solvents.

F Evenly Distributed Light From Tritium Lamps

Each Trijicon® tritium lamp is capped with a sapphire jewel that helps evenly distribute the light, providing a uniform brightness for crisp, clear low-light performance.



Color Combinations:



Front: Yellow Outline / Green Lamp
Rear: Black Outline / Green Lamps



Front: Orange Outline / Green Lamp
Rear: Black Outline / Green Lamps

Trijicon HD XR™ Night Sights

Features and Benefits

A Expanded Field of View and a Precision Sight Picture for Longer-Range Engagements

Thin front post (.122 in. width) promotes a larger field of view for fast target identification and engagement at longer distances.

B Visible Sight Picture in No-Light and Low-Light Situations

Tritium phosphor-filled glass lamp illuminates sights for high visibility in all lighting situations.

C Enhanced Protection From Heavy Recoil and Harsh Cleaning Solvents

Tritium gas lamps are contained within protective aluminum cylinders and have additional silicone rubber cushioning.

D Enhanced Front-Sight Acquisition in Bright, Transitional, and No-Light Situations

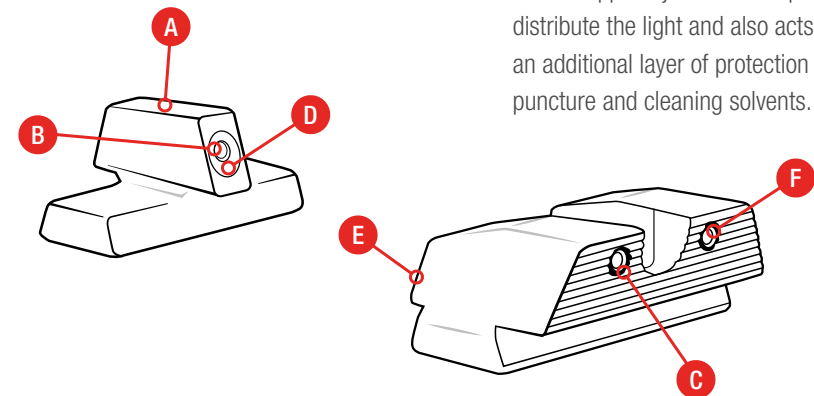
Glow-in-the-dark, photoluminescent-painted front outline combines with a “U” notch rear and black-painted rear outlines to quickly draw your eye to the front post in all lighting conditions.

E One-Handed Slide Manipulation

Steeply hooked front surface to assist in emergency, one-handed slide manipulation.

F Evenly Distributed Light From Tritium Lamps

Each Trijicon® tritium lamp is capped with a sapphire jewel that helps evenly distribute the light and also acts as an additional layer of protection from puncture and cleaning solvents.



Color Combinations:



Front: Yellow Outline / Green Lamp
Rear: Black Outline / Green Lamps



Front: Orange Outline / Green Lamp
Rear: Black Outline / Green Lamps

Trijicon® Iron Sights Comparison Guide



	Fiber	Bright & Tough™
Features	<ul style="list-style-type: none"> • Exceptional daylight visibility for enhanced sight and target acquisition. • Precise sight picture for engagements past CQB distances. • One-handed slide manipulation assistance. 	<ul style="list-style-type: none"> • The original tritium-illuminated night sight solution. • Provides sight picture in all lighting conditions.
Tritium Phosphor-Filled Lamps		✓
Protective Aluminum Sleeves with Silicone Rubber Cushioning		✓
Sapphire Jewel for Evenly Distributed Light		✓
Fiber Optic Illuminated Front Post	✓	
Enhanced Daylight Brightness	✓	
“Square” Notch Rear Sight	✓	✓
“U” Notch Rear Sight		
Increased Height (for Compatability with Suppressors and Pistol-Mounted Red Dot Sights)		
Glow-In-The-Dark Painted Front Sight Outline		
Steeply Hooked Rear Sight	✓	
Thin Front Post	✓	
Trijicon® Tritium Warranty		✓

	Bright & Tough™ Suppressor	HD™	HD XR™
	<ul style="list-style-type: none"> • Optimized for use with suppressors and pistol-mounted red dot sights. • Provides sight picture in all lighting conditions. 	<ul style="list-style-type: none"> • Enhanced front sight acquisition in all lighting conditions. • Optimized sight picture for transitional lighting. • One-handed slide manipulation assistance. 	<ul style="list-style-type: none"> • More precise sight picture for longer engagements. • Enhanced front sight acquisition in all lighting conditions. • Optimized sight picture for transitional lighting. • One handed slide manipulation assistance.
	✓	✓	✓
	✓	✓	✓
	✓	✓	✓
		✓	✓
	✓		
		✓	✓
		✓	✓
		✓	✓
	✓	✓	✓



Trijicon

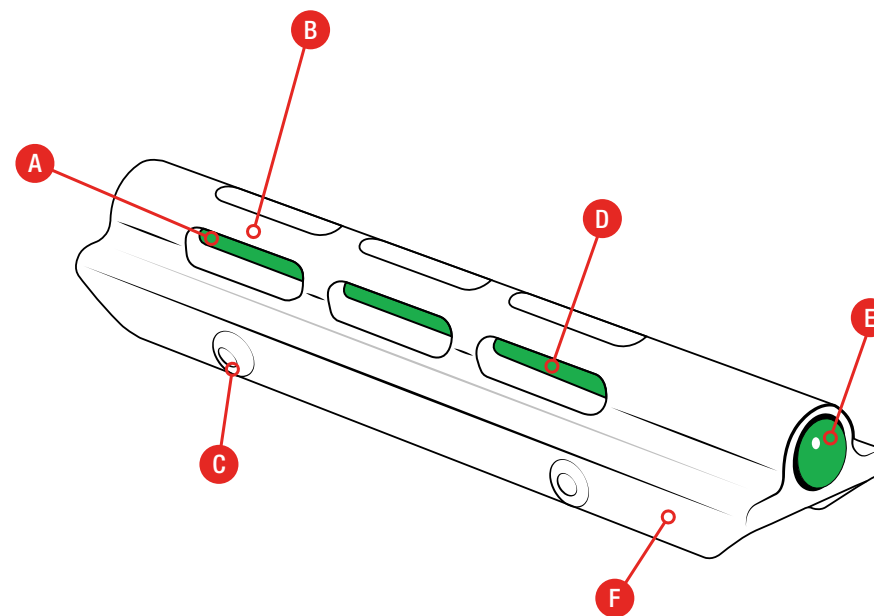
TrijiDot® Fiber Optic Shotgun Sights

AIM WITH CONFIDENCE

The TrijiDot® is a fiber optic shotgun sight. The fiber optic collects ambient light while a rugged sapphire lens magnifies and focuses the light, resulting in a bright aiming point for a wide range of lighting conditions.

Features and Benefits

- A Fiber Optic Technology**
Collects ambient light to provide a brilliant aiming point in most lighting conditions.
- B Anodized Aircraft-Grade Aluminum**
Robust fiber optic protection.
- C Secure Notched Mount**
Fits over existing bead sight and locks in place with four set screws.
- D Large Bead Sight**
0.157 in./4.0mm bead diameter allows for quick target acquisition.
- E Rugged Sapphire Lens**
Magnifies and focuses light from fiber optic.
- F Shock Resistant**
Withstands all shotgun recoils.





Models





Available Fiber Colors:





Shotgun Fiber Optic Bead Sight for .210 – .280 in. wide ribs

Black:  SH01-R  SH01-G

Shotgun Fiber Optic Bead Sight for .265 – .335 in. wide ribs

Black:  SH02-R  SH02-G

Shotgun Fiber Optic Bead Sight for .325 – .395 in. wide ribs

Black:  SH03-R  SH03-G



MAGNIFIED

REFLEX

IRON SIGHTS

ELECTRO OPTICS

ARCHERY



ELECTRO OPTICS



REAP-IR®



IR-HUNTER®



SNIPE-IR®



IR-PATROL®



Trijicon

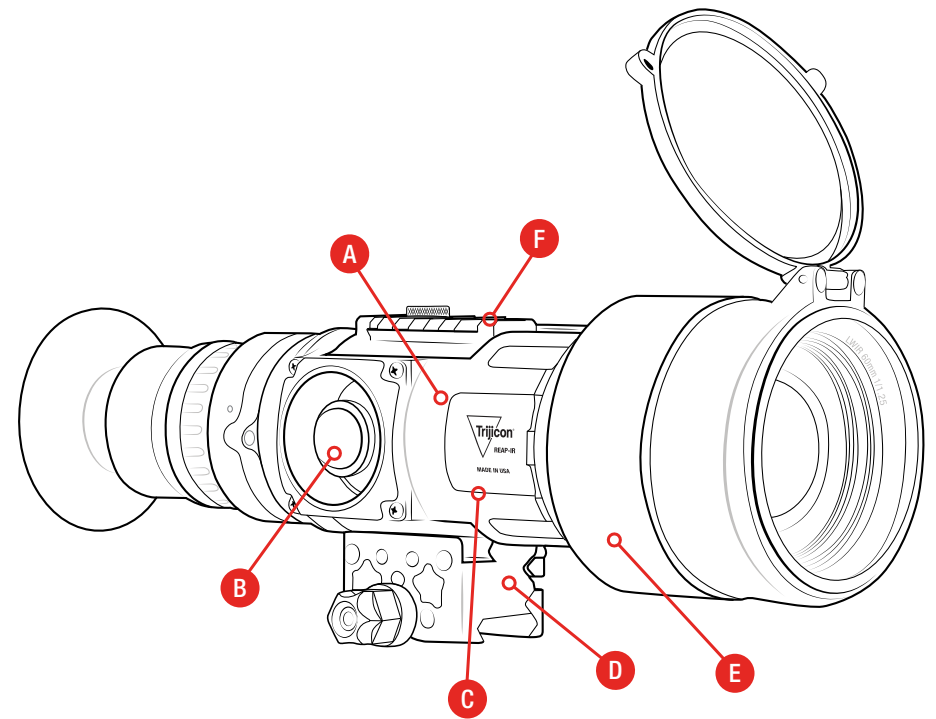
REAP-IR®

GET ROUNDS ON TARGET FASTER THAN EVER

The Trijicon REAP-IR® mini thermal riflescope is a small, light, powerful thermal riflescope that lets you engage targets in any light. It's trusted by the most demanding shooters and hunters who require speed and accuracy for nighttime use. Choose from multiple magnification levels and fields of view to fit your specific needs.

Features and Benefits

- A Outstanding Image Quality**
The state-of-the-art 640x480, 12 micron, 60 Hz thermal core provides exceptional clarity in complete darkness.
- B Easy-to-Use**
The miniature thumbstick, simple menu system, and user configurable quick select menu enable quick zeroing and intuitive control.
- C Built to Endure**
The machined 6061 aluminum housing was designed and tested to MIL-STD-810G for years of worry-free use in the field.
- D DLOC Quick Release Mount**
This mount design retains zero and enables rapid transition from handheld observation to rifle mounted use.
- E Multiple Magnification Options**
Choose from several base magnifications—designed for different shooting scenarios—and enjoy extended shots with the digital zoom.
- F Mini-Picatinny Interface**
Easily enables the use of optional accessories.



Specifications



System	IRMS-20-2	IRMS-35
Sensor Resolution	640x480	640x480
Sensor Micron	12 Micron	12 Micron
Sensor Type	VOx Vanadium Oxide	VOx Vanadium Oxide
Frame Rate	60 Hz	60 Hz
Display Type	Digital OLED	Digital OLED
Thermal Sensitivity	< 50 mK	< 50 mK
Spectral Response	8–12 Micron	8–12 Micron
Field of View	22°	12°
Eye Relief	27mm	27mm
Diopter	-6 /+2	-6 /+2
Magnification / E-Zoom	1x Optical / 8x Digital	2.5x Optical / 8x Digital
Objective Lens	19mm f/1.2	35mm f/1.14
Battery Pack	Top Loading / Vertical	Front Loading / Horizontal
Battery Type	(2) CR123 Lithium	(2) CR123 Lithium
Battery Life	Approx. 2 Hours Per Battery	Approx. 2 Hours Per Battery
Environmental	-40°C to +55°C Operating -45°C to +75°C Storage	-40°C to +55°C Operating -45°C to +75°C Storage
Weight	16 oz. / 454g	20.8 oz. / 590g
Dimensions (L x W x H)	5.95 x 3.42 x 2.96 in. 151.1 x 86.8 x 75.18mm	6.5 x 3.0 x 2.95 in. 165.1 x 76.2 x 74.9mm
User Interface	Thumbstick	Thumbstick
Accessory Mount Interface	Picatinny Rail	Wilcox Shoe
Mounting Kit	Mini Picatinny Rail Mount	Mini Picatinny Rail Mount
Easy Zero	✓	N/A
Image Capture	Approx. 60 images	Approx. 60 images
Video Out	✓	✓

IRMS-35-2	IRMS-60-2
640x480	640x480
12 Micron	12 Micron
VOx Vanadium Oxide	VOx Vanadium Oxide
60 Hz	60 Hz
Digital OLED	Digital OLED
< 50 mK	< 50 mK
8–12 Micron	8–12 Micron
12°	7°
27mm	27mm
-6 /+2	-6 /+2
2.5x Optical / 8x Digital	4.5x Optical / 8x Digital
35mm f/1.14	60mm f/1.25
Top Loading / Vertical	Top Loading / Vertical
(2) CR123 Lithium	(2) CR123 Lithium
Approx. 2 Hours Per Battery	Approx. 2 Hours Per Battery
-40°C to +55°C Operating -45°C to +75°C Storage	-40°C to +55°C Operating -45°C to +75°C Storage
24.5 oz. / 694g	32.0 oz. / 907g
6.28 x 3.42 x 2.96 in. 159.5 x 86.8 x 75.18mm	7.51 x 3.42 x 2.96 in. 190.8 x 86.8 x 75.18mm
Thumbstick	Thumbstick
Picatinny Rail	Picatinny Rail
Mini Picatinny Rail Mount	Mini Picatinny Rail Mount
✓	✓
Approx. 60 images	Approx. 60 images
✓	✓



Trijicon

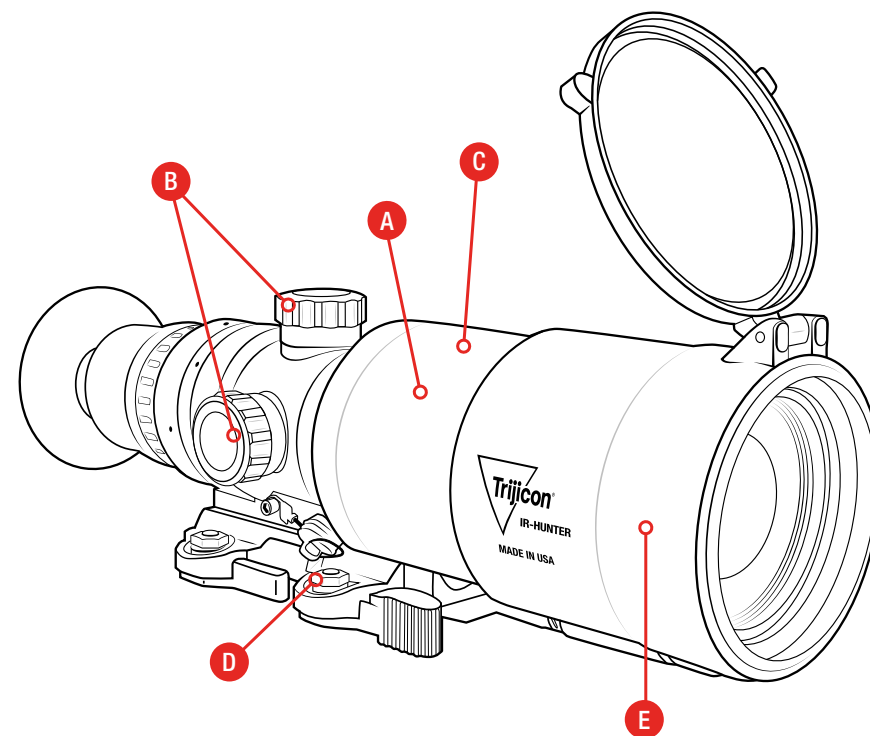
IR-HUNTER®

LIGHTS-OUT PRECISION FOR A SUPERIOR HUNTING ADVANTAGE

Meet the advanced thermal hunting scope that's built for one purpose: a successful hunt every time. More than 25 years of night vision system design has led us to the user-friendly ergonomics and advanced infrared technology of the Trijicon IR-HUNTER® thermal weapon series. All you have to think about is sight alignment and trigger squeeze. Choose from multiple magnifications, fields of view, and distance needs.

Features and Benefits

- A Outstanding Image Quality**
The state-of-the-art 640x480, 12 micron, 60 Hz thermal core provides exceptional clarity in complete darkness.
- B Easy-to-Use**
Prominent turret controls and intuitive menu layout simplify nighttime use.
- C Built to Endure**
The machined 6061 aluminum housing was designed and tested to MIL-STD-810G for years of worry-free use in the field.
- D Quick-Release Mount**
Throw-lever mount for zero retention and easy mounting and dismounting.
- E Multiple Magnification Options**
Choose from several base magnifications, designed for different shooting scenarios plus the digital zoom allows extended shots.



Specifications



	IRMK2-20	IRMK2-35
Sensor Type	Uncooled VOx (Vanadium Oxide)	Uncooled VOx (Vanadium Oxide)
Thermal Sensitivity	<50mk	<50mk
Sensor Resolution	640x480	640x480
Pixel Pitch	12 Micron	12 Micron
Frame Rate	60 Hz with a 30 Hz Power Save Mode	60 Hz with a 30 Hz Power Save Mode
Spectral Response	8–12 Micron	8–12 Micron
Display Type	Digital OLED	Digital OLED
Display Resolution	640x480 pixels	640x480 pixels
Basic Features	E-Zoom, Polarity (optional color)	E-Zoom, Polarity (optional color)
Advanced Features	DCE—Digital Contrast Enhancement ETR—Enhanced Target Recognition	DCE—Digital Contrast Enhancement ETR—Enhanced Target Recognition
Start-Up Time	Approx. 5 Seconds	Approx. 5 Seconds
Athermalized	Yes	Yes
Video Output	Analog RS-170 (with Optional Cable)	Analog RS-170 (with Optional Cable)
Battery Type	(2) CR123 Lithium	(2) CR123 Lithium
Battery Life	3.5 Hours @ 60 Hz	3.5 Hours @ 60 Hz
Weapon Mount	Singular Lever	Singular Lever
Reticle	Simple and Complex Reticles	Simple and Complex Reticles
Weight	29.1 oz / 825g	34.9 oz / 989g
Dimensions (L x W x H)	6.5 x 2.9 x 3.1 in.	7.4 x 2.9 x 3.1 in.
Diopter	-3	-3
Eye Relief	27mm	27mm
Environmental	-40c to +55c Operating -45c to +75c Storage	-40c to +55c Operating -45c to +75c Storage
Magnification		
Optical	1.5x	2.5x
Digital	8x	8x
Total	12x	20x
Lens	19mm/f1.1	35mm f/1.1
Base FOV	22°	12°

	IRMK3-35	IRMK3-60
Sensor Type	Uncooled VOx (Vanadium Oxide)	Uncooled VOx (Vanadium Oxide)
Thermal Sensitivity	<50mk	<50mk
Sensor Resolution	640x480	640x480
Pixel Pitch	12 Micron	12 Micron
Frame Rate	60 Hz with a 30 Hz Power Save Mode	60 Hz with a 30 Hz Power Save Mode
Spectral Response	8–12 Micron	8–12 Micron
Display Type	Digital OLED	Digital OLED
Display Resolution	640x480 pixels	640x480 pixels
Basic Features	E-Zoom, Polarity (optional color)	E-Zoom, Polarity (optional color)
Advanced Features	DCE—Digital Contrast Enhancement ETR—Enhanced Target Recognition RANGEFINDER - Stadiametric	DCE—Digital Contrast Enhancement ETR—Enhanced Target Recognition RANGEFINDER - Stadiametric
Start-Up Time	Approx. 5 Seconds	Approx. 5 Seconds
Athermalized	Yes	Yes
Video Output	Analog RS-170 (with Optional Cable)	Analog RS-170 (with Optional Cable)
Battery Type	(3) CR123 Lithium	(3) CR123 Lithium
Battery Life	3.5 Hours @ 60 Hz	3.5 Hours @ 60 Hz
Weapon Mount	Dual Lever	Dual Lever
Reticle	Simple and Complex Reticles Digital Read-Outs 4 Save Locations	Simple and Complex Reticles Digital Read-Outs 4 Save Locations
Weight	34.9 oz / 989g	37 oz / 1050g
Dimensions (L x W x H)	7.4 x 2.9 x 3.1 in.	7.6 x 3.1 x 3.3 in.
Diopter	-3	-3
Eye Relief	27mm	27mm
Environmental	-40c to +55c Operating -45c to +75c Storage	-40c to +55c Operating -45c to +75c Storage
Magnification		
Optical	2.5x	4.5x
Digital	8x	8x
Total	20x	36x
Lens	35mm f/1.1	60mm f/1.25
Base FOV	12°	7°



Trijicon

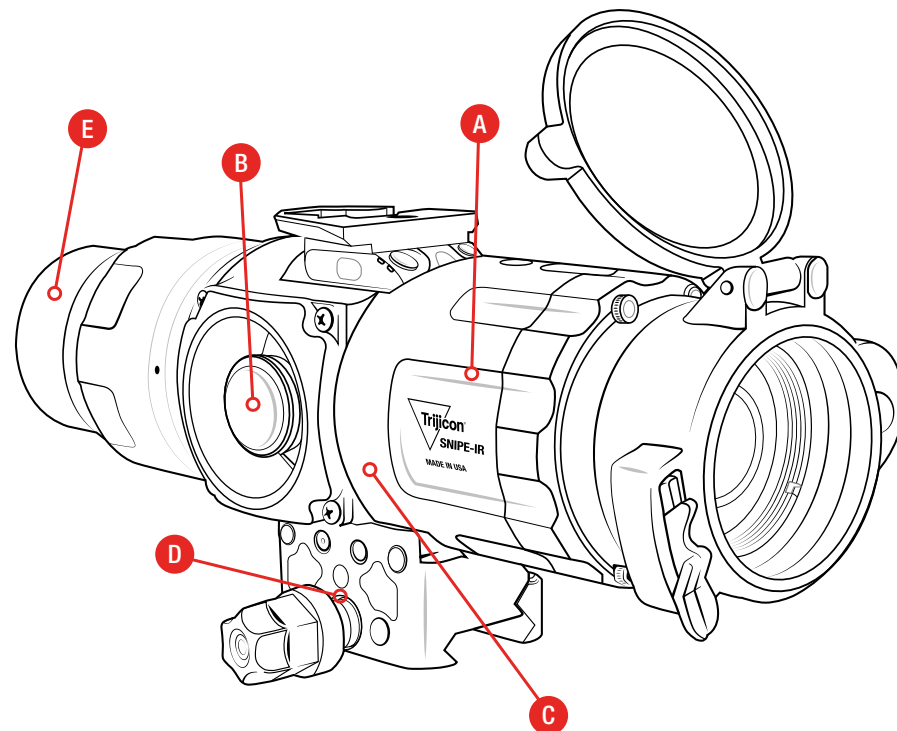
SNIPE-IR®

THE NEXT-GENERATION CLIP-ON SIGHT

The Trijicon SNIPE-IR® is designed to become one with your optical day sight, both on the battlefield and on the hunting field. It comes with a 640x480, 12-micron VOx sensor and OLED digital micro display that give you clear, brilliant imagery at a fast 60 Hz frame-rate system—even through pitch-black darkness. The Trijicon SNIPE-IR is optimized for use with a 4x day optic but will work with variable sights up to approximately 6x.

Features and Benefits

- A Outstanding Image Quality**
The state-of-the-art 640x480, 12 micron, 60 Hz thermal core provides exceptional clarity in complete darkness.
- B Easy-to-Use**
The miniature thumbstick, simple menu system, and user configurable quick select menu enable quick zeroing and intuitive control.
- C Built to Endure**
The machined 6061 aluminum housing was designed and tested to MIL-STD-810G for years of worry-free use in the field.
- D DLOC Quick Release Mount**
This mount design retains zero and enables rapid transition from handheld observation to rifle mounted use.
- E Collimating Eyepiece for Clip-On Use**
Seamless integration with existing day optics.



Specifications



	IRCO-35
Sensor Type	Uncooled VOx (Vanadium Oxide)
Thermal Sensitivity	<50mk
Sensor Resolution	640x480 Pixels
Sensor Pitch	12 Micron
Frame Rate	60 Hz with a 30 Hz Power Save Mode
Spectral Response	8 – 12 Micron
Display Type	Digital OLED
Field of View	12° Horizontal
System Modes	CLIP-ON / HYBRID / DEDICATED
Basic Features	E-Zoom, Polarity
Advanced Features	NO-SHOT ZERO Image Capture DFC – Digital Focus Control
Start-Up Time	Approx. 5 Seconds
Video Output	Analog RS-170 (with Optional Cable)
Battery Type	(2) CR123 Lithium
Battery Life	3.5 Hours @ 60 Hz
Weapon Mount	Mini D-LOC Mount – Standard Model
Day Sight Compatibility	1x up to 4x Fixed Sights 1–4x and 1–6x Variable Sights 2.5–10x up to 4–12x Variable Sights

	IRCO-35
Weight	24.6 oz. / 700g
Dimensions (L x W x H)	7.4 x 2.95 x 3 in.
Exit Pupil	30mm Clip-On
Environmental	-40c to +55c Operating -45c to +75c Storage





Trijicon

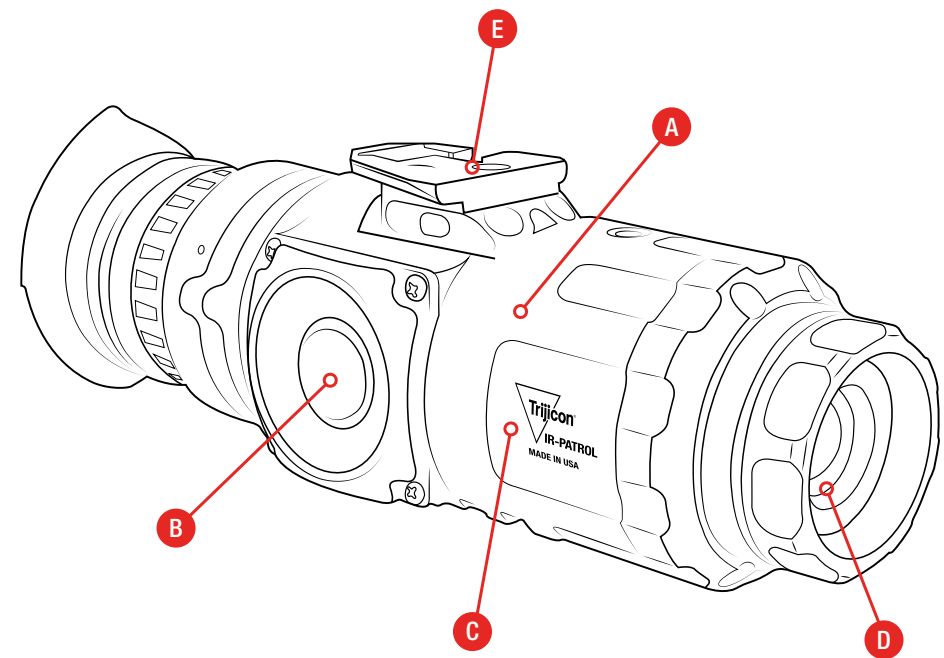
IR-PATROL®

THE MULTI-PURPOSE, HIGH-PERFORMANCE THERMAL IMAGING MONOCULAR

Whether your mission is searching for a suspect or securing your position, the Trijicon IR-PATROL® is the ideal multi-purpose thermal imaging monocular. It's compact, lightweight and rugged; offering some of the most advanced performance options on the market for a clear, sharp image. Choose from handheld, helmet-mounted or rifle-mounted IR-PATROL systems.

Features and Benefits

- A Outstanding Image Quality**
The state-of-the-art 640x480, 12 micron, 60 Hz thermal core provides exceptional clarity in complete darkness.
- B Easy-to-Use**
The miniature thumbstick, simple menu system, and user configurable quick select menu enable quick zeroing and intuitive control.
- C Built to Endure**
The machined 6061 aluminum housing was designed and tested to MIL-STD-810G for years of worry-free use in the field.
- D Manual Focus Knob**
Allows easy adjustments for optimal image definition, near and far.
- E Versatile Mounting Interface**
Allows user to use as a handheld, helmet-mounted or rifle-mounted thermal solution.



Specifications



System	LE100	LE100C
Application	Handheld / Tripod Mounted	Handheld / Tripod Mounted
Sensor Resolution	640x480	640x480
Sensor Micron	12 Microns	12 Microns
Sensor Type	VOx Vanadium Oxide	VOx Vanadium Oxide
Frame Rate	30 Hz	30 Hz
Display Type	Digital OLED	Digital OLED
Thermal Sensitivity	< 50 mK	< 50 mK
Spectral Response	8–12 Microns	8–12 Microns
Field of View	22°	22°
Eye Relief	27mm	27mm
Diopter	-6 /+2	-6 /+2
Magnification / E-Zoom	1x Optical / 8x Digital	1x Optical / 8x Digital
Objective Lens	19mm f/1.2	19mm f/1.2
Battery Type	CR123 Lithium	CR123 Lithium
Battery Life	Approx. 2 Hours Per Battery	Approx. 2 Hours Per Battery
Environmental	-40°C to +55°C Operating -45°C to +75°C Storage	-40°C to +55°C Operating -45°C to +75°C Storage
Weight	16 oz. / 454g	16 oz. / 454g
Dimensions (L x H x W)	5.95 x 2.0 x 2.95 in.	5.95 x 2.0 x 2.95 in.
User Interface	Thumbstick	Thumbstick
Mounting Kit	¼-20 Interface	¼-20 Interface
Download Cable		✓
Shoe Interface		✓
Polarity / E-Zoom	✓	✓
Edge Detect		✓
Image Capture		✓
Video Out		✓
Reticle Feature		
Configuration Level		



M250	M250K
Handheld / Helmet Mounted	Handheld / Helmet Mounted
640x480	640x480
12 Microns	12 Microns
VOx Vanadium Oxide	VOx Vanadium Oxide
60 Hz	60 Hz
Digital OLED	Digital OLED
< 50 mK	< 50 mK
8–12 Microns	8–12 Microns
22°	22°
27mm	27mm
-6 /+2	-6 /+2
1x Optical / 8x Digital	1x Optical / 8x Digital
19mm f/1.2	19mm f/1.2
CR123 Lithium	CR123 Lithium
Approx. 2 Hours Per Battery	Approx. 2 Hours Per Battery
-40°C to +55°C Operating -45°C to +75°C Storage	-40°C to +55°C Operating -45°C to +75°C Storage
16 oz. / 454g	16 oz. / 454g
5.95 x 2.0 x 2.95 in.	5.95 x 2.0 x 2.95 in.
Thumbstick	Thumbstick
Wilcox® Shoe Interface	Wilcox® Shoe Interface Wilcox® Bridge Assembly
	✓
✓	✓
✓	✓
✓	✓
✓	✓
✓	✓
✓	✓

Specifications



System	M250XR	M300
Application	Handheld / Tripod Mounted	Handheld / Helmet Mounted / Rifle
Sensor Resolution	640x480	640x480
Sensor Micron	12 Microns	12 Microns
Sensor Type	VOx Vanadium Oxide	VOx Vanadium Oxide
Frame Rate	60 Hz	60 Hz
Display Type	Digital OLED	Digital OLED
Thermal Sensitivity	< 50 mK	< 50 mK
Spectral Response	8–12 Microns	8–12 Microns
Field of View	7°	22°
Eye Relief	27mm	27mm
Diopter	-6 /+2	-6 /+2
Magnification / E-Zoom	4.5x Optical / 36x Digital	1x Optical / 8x Digital
Objective Lens	60mm f/1.25	19mm f/1.2
Battery Type	CR123 Lithium	CR123 Lithium
Battery Life	Approx. 2 Hours Per Battery	Approx. 2 Hours Per Battery
Environmental	-40°C to +55°C Operating -45°C to +75°C Storage	-40°C to +55°C Operating -45°C to +75°C Storage
Weight	27 oz. / 755g	16 oz. / 454g
Dimensions (L x H x W)	8.0 x 3.3 x 3.0 in.	5.95 x 2.0 x 2.95 in.
User Interface	Thumbstick	Thumbstick
Mounting Kit	¼-20 Interface	Wilcox® Shoe Interface
Download Cable	✓	
Shoe Interface		✓
Polarity / E-Zoom	✓	✓
Edge Detect	✓	✓
Image Capture	✓	✓
Video Out	✓	✓
Reticle Feature		✓
Configuration Level	✓	✓

M300K	M300TK
Handheld / Helmet Mounted / Rifle	Handheld / Helmet Mounted / Rifle
640x480	640x480
12 Microns	12 Microns
VOx Vanadium Oxide	VOx Vanadium Oxide
60 Hz	60 Hz
Digital OLED	Digital OLED
< 50 mK	< 50 mK
8–12 Microns	8–12 Microns
22°	22°
27mm	27mm
-6 /+2	-6 /+2
1x Optical / 8x Digital	1x Optical / 8x Digital
19mm f/1.2	19mm f/1.2
CR123 Lithium	CR123 Lithium
Approx. 2 Hours Per Battery	Approx. 2 Hours Per Battery
-40°C to +55°C Operating -45°C to +75°C Storage	-40°C to +55°C Operating -45°C to +75°C Storage
16 oz. / 454g	16 oz. / 454g
5.95 x 2.0 x 2.95 in.	5.95 x 2.0 x 2.95 in.
Thumbstick	Thumbstick
Wilcox® Shoe Interface Wilcox® Flip to Side Rifle Mount	Wilcox® Shoe Interface Wilcox® Bridge Assembly Wilcox® Flip to Side Rifle Mount
✓	✓
✓	✓
✓	✓
✓	✓
✓	✓
✓	✓
✓	✓
✓	✓



ARCHERY SIGHTS



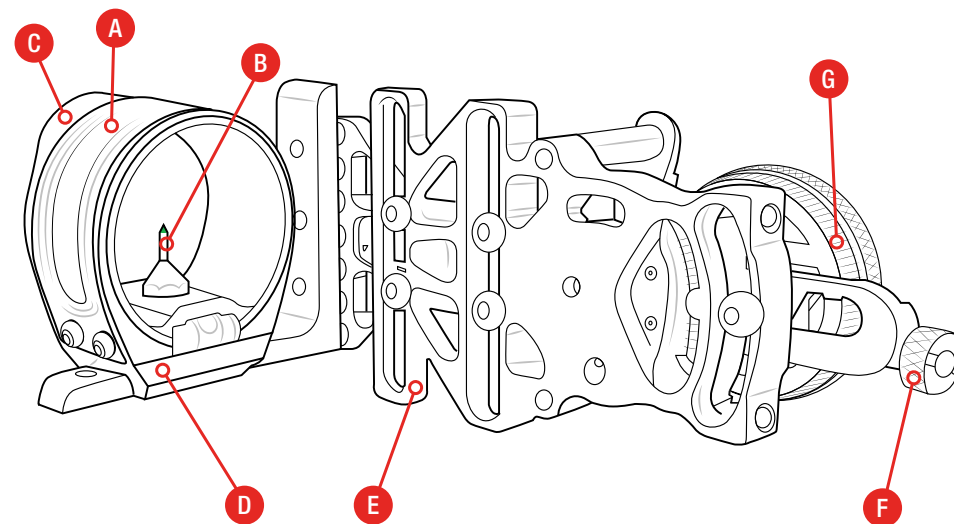
AccuPin®



ACOG® XB

Features and Benefits

- A Tritium-Phosphor Lamp & Fiber Optics**
Provide illumination for any light condition without batteries.
- B Triangular Aiming Point and Clear Pin**
Precision aiming point with unobstructed view of target.
- C High-Impact Shade Shield**
High-visibility aiming circle for optimal aiming-point acquisition and protection.
- D Aircraft-Grade 6061-T6 Aluminum**
Made in the USA and so tough, it's guaranteed for life.
- E AccuDial™ Bow Mount**
Enables exact, "on-the-fly" range adjustment and synchronization for any bow/arrow speed combination, thanks to its laser-etched dial.
- F Adjust to Bow's Speed**
Synchronize the AccuDial™ to the bow's speed to utilize ranging dial (speed range 245–335 feet per second).
- G Pre-Set Ranging Dial**
Easily dial in on range holdover in one-yard increments from 0–80 yd. once bow speed is synchronized.



Trijicon

AccuPin®

THE POWER OF TRITIUM

Bow hunters aren't your average hunters. And these aren't your average, run-of-the-mill bow sights. These are battery-free, technological marvels that help serious hunters own the fields from dawn to dusk, thanks to a tritium-phosphor lamp and superior fiber optics that give you quick target acquisition in low-light conditions. It's what bow hunters deserve.

Specifications



	AccuPin®
Magnification	1x
Aperture	Single Pin
Right/Left Hand	Ambidextrous
Illumination Source	Fiber Optics & Tritium
Pin Style	Triangle
Sight Window	1.77 in. 45mm
Dimensions (L x W x H)	1.5 x 2.1 x 2.5 in. 38 x 53 x 64mm
Weight	Dovetail Base: 2.29 oz. (65g) Rail Grabber Base: 2.47 oz. (70g)
Mount Options	<ul style="list-style-type: none"> – Dovetail base that mounts to an L-bracket which will attach to the Trijicon AccuDial® or other adjustable mounts. – Rail grabber-style mount base attaches to adjustable mounts equipped with a Weaver® or MIL-STD-1913 (Picatinny) rail, including the Trijicon AccuDial adjustable mount and rail adapter.

	AccuDial™
Right/Left Hand	Available in Both Configurations
Bow Speed	245 – 335 ft./sec. 74.7 – 102.1m/s
Target Range	0 – 80+ yd. 0 – 73.2m
Adjustment Increments	1 yd. .91m
Dimensions (L x W x H)	6.0 x 3.7 x 2.8 in. 152 x 94 x 71mm
Weight	8.0 oz. 226.8g
Sights It Accepts	<ul style="list-style-type: none"> – Trijicon AccuPin® Sight – Side-mounted apertures/scope which utilize #10-32 studs – Sights with Weaver® or MIL-STD-1913 Picatinny bases (requires rail adapter)

AccuPin®



Bow Sight with Dovetail Base

Black:  BW01G-BL

Bow Sight with Rail Grabber Base

Black:  BW02G-BL

AccuDial™



Right-Hand Mount with Sight Bracket and Rail Adapter

Black: BW10-BL

Left-Hand Mount with Sight Bracket and Rail Adapter

Black: BW11-BL

Combo



Right-Hand AccuPin® Bow Sight with AccuDial™ Mount

Black:  BW50G-BL

Left-Hand AccuPin Bow Sight with AccuDial Mount

Black:  BW51G-BL



Trijicon

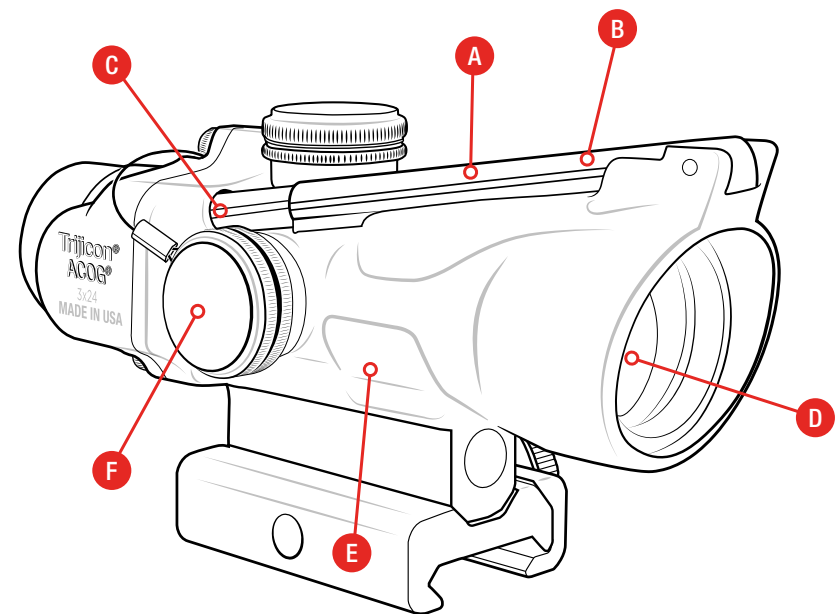
ACOG® XB

TARGET ACQUISITION YOU CAN TRUST IN LOW LIGHT.

The Trijicon ACOG® XB Crossbow Scope is compact, lightweight, rugged, and battery-free. Utilizing the same platform as the traditional ACOG, this crossbow optic is tough, accurate, and reliable. The reticle is illuminated in any light by fiber optics and tritium, has bolt drop-compensated stadia lines and features a built-in ranging reference system.

Features and Benefits

- A 100% Battery-Free**
Trijicon ACOG® XB delivers increased hit potential in all lighting conditions—without the use of batteries.
- B Trijicon® Fiber Optics**
Automatically adjusts the brightness level and contrast of the reticle to available light conditions.
- C Tritium-Phosphor Lamp**
Aiming reticle glows in low-light conditions for quick target acquisition. Lamp is guaranteed to illuminate for 15 years.
- D Broadband Anti-Reflective Coated Lenses**
Multi-coated lens provides superior clarity and light-gathering capabilities with zero distortion.
- E Forged 7075-T6 Aluminum Housing**
Aircraft-grade-aluminum housing provides extreme durability and light weight in a compact design, built to withstand the shock pattern of all crossbows.
- F Internally Adjustable Settings**
Since only the prism housing moves, the Trijicon ACOG XB is much more rugged than conventional designs.





	3x24 XB
Magnification	3x
Objective Lens	24mm
Eye Relief	1.4 in. 35.6mm
Exit Pupil	0.32 in. 8.1mm
Field of View (Degrees)	4.9°
Field of View	25.6 ft. @ 100 yd. 8.6m @ 100m
Adjustments	7 Clicks Per in. @ 30 yd.
Dimensions (L x W x H)	5.0 x 1.6 x 2.1 in. 127 x 42 x 53mm
Weight	6.1 oz. 218.2g
Illumination Source	Fiber Optics & Tritium
Bolt Speed	TA50-C-400143 (XB1): 300 – 340 fps TA50-C-400144 (XB2): 340 – 400 fps TA50-C-400145 (XB3): 400 – 440+ fps Note: If your bolt speed borders between two models, choose the model with the lower speed.

3x24 XB



Chevron

Dual-Illuminated Chevron, 300-340 fps Bolt Drop Compensation and Bad River Outdoors® Ranging System with Low Weaver Mount

Black:  TA50-C-400143

Dual-Illuminated Chevron, 340-400 fps Bolt Drop Compensation and Bad River Outdoors® Ranging System with Low Weaver Mount

Black:  TA50-C-400144

Dual-Illuminated Chevron, 400-440+ fps Bolt Drop Compensation and Bad River Outdoors® Ranging System with Low Weaver Mount

Black:  TA50-C-400145

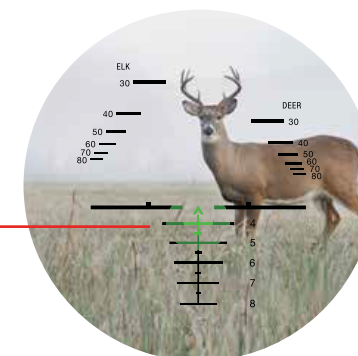
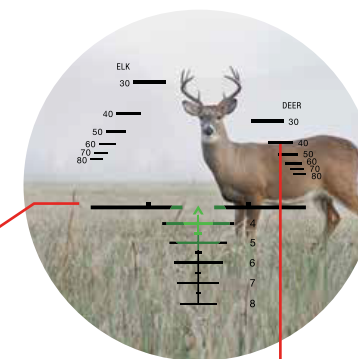
Range Finding Reticle

The ACOG® Crossbow Scope reticle features Bad River Outdoors® patented ranging system for elk and whitetail deer. The three available reticles have varying bolt drop compensators based on your crossbow speed (see next page).

Step 1: Hold the bottom line on the belly/rib cage of animal.

Step 2: Read the back line.
(Ex. this reads 40 yds)

Step 3: Move scope to crosshair that corresponds to the distance. (Ex. stadia line 4)





Trijicon®

Customer Care

WE STAND BEHIND OUR PRODUCTS

Trijicon products and technologies have been trusted by the U.S. Military and allies, law enforcement agencies, and civilian shooters and enthusiasts for decades. They're built to work no matter what. However, in the unlikely event of an issue, we offer a Limited Lifetime Warranty.

Trijicon® warrants that our manufactured products will be free from defects in material and workmanship for the lifetime of the original owner. Trijicon® will repair or replace (at our option) the registered product. This warranty does not apply to defects caused by anything which is deemed abnormal, abusive or improper, including any fault resulting from an accident or improper service. This warranty specifically applies to the optical systems and metal structure of the product and does not apply to the illumination or electronic system.

VCOG®, LED ACOG®, MGRS®, MRO®, SRO®, RMR® LED, RMR® Adjustable LED, Credo™, Credo™ HX, Tenmile™, and Tenmile™ HX

Electronics are warranted to be free of defects in material and workmanship during normal use for a period of five (5) years from date of original manufacture.

ACOG®, ACOG® XB Scope, Reflex, RMR® Dual-Illuminated, AccuPoint®, and AccuPin® Bow Sight:

The tritium lamp is warranted to glow for fifteen (15) years from date of manufacture for optics with tritium and fiber optic configuration. Optics with tritium only are warranted to glow for ten (10) years from the date of manufacture, and the AccuPin® Bow Sight is warranted to glow for twelve (12) years from date of manufacture.

Bright & Tough™ Night Sights, Bright & Tough™ Suppressor Sights, HD™ Night Sights, and HD XR™ Night Sights:

The tritium lamp is warranted to glow for five (5) years for orange night sights, twelve (12) years for green and yellow night sights from date of original manufacture.

SPECIAL NOTE:

Many Trijicon® products contain tritium and are regulated by the nuclear regulatory commission. They may not be disassembled by anyone other than Trijicon, Inc. which holds the necessary licenses. Any attempt at disassembly or repair will annul this warranty. This warranty gives you specific legal rights, and you may also have other rights which vary from state to state.