

Tipton®

Gun Cleaning Supplies

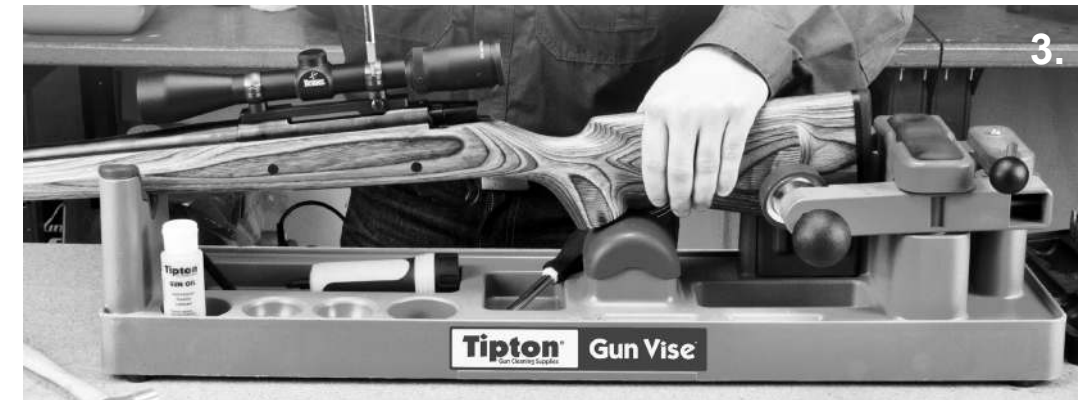
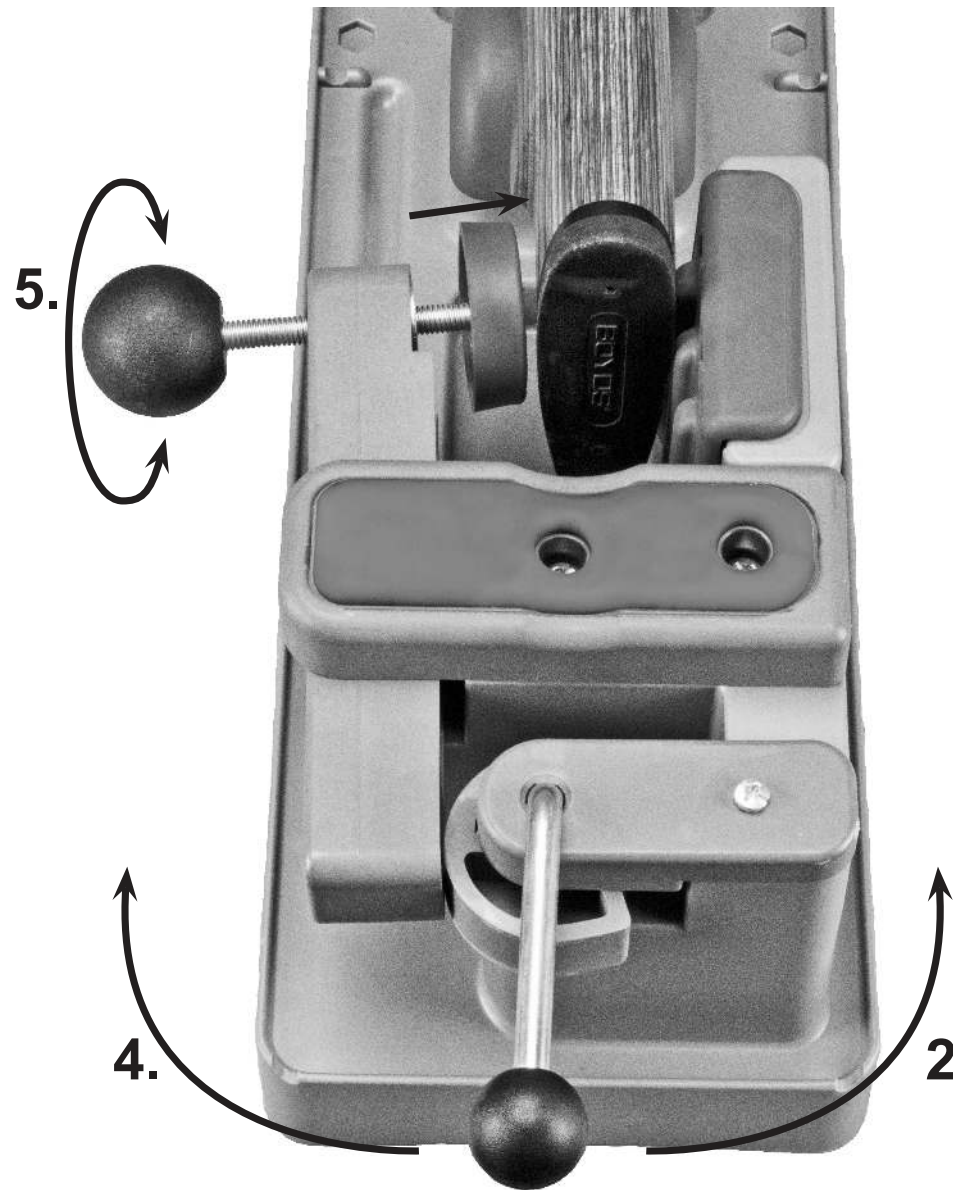
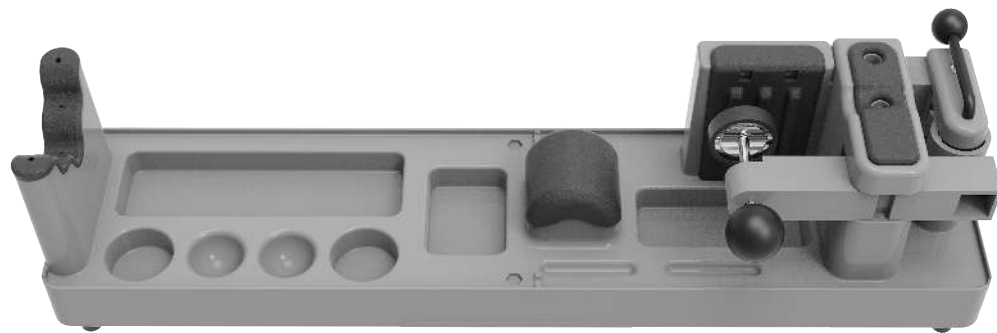
Gun Vise™

Assembly and Usage Instructions

Product #: 782731

Instructions #: 690000

Revision E



Usage Instructions:

1. Place the Gun Vise on a flat surface with enough clearance for the barrel to protrude out the side.
2. Make sure the Cam Lever is turned toward the back of the Vise.
3. Place your gun into the Gun Vise as shown.
4. Turn the Cam Lever to the front of the Vise.
5. Turn the Adjustment Knob until the Clamp Pad just touches the stock.
6. Open the Cam Lever again, and turn the Adjustment Knob clockwise 2-3 more turns.
7. Turn the Clamp Lever to the front of the Vise. This should tightly clamp your gun while allowing the Cam Lever to lock into the fully forward position.

NOTE: For best results, ensure the Clamp Pad is firmly in contact with the stock and not positioned on the edge of the cheek piece.

STOP! If you have a problem with this product, DON'T RETURN IT TO THE STORE WHERE YOU PURCHASED IT. Contact customer service at...

Battenfeld
Technologies, Inc.

NOT WARRANTED AGAINST MISUSE, ABUSE, OR COMMERCIAL USE.

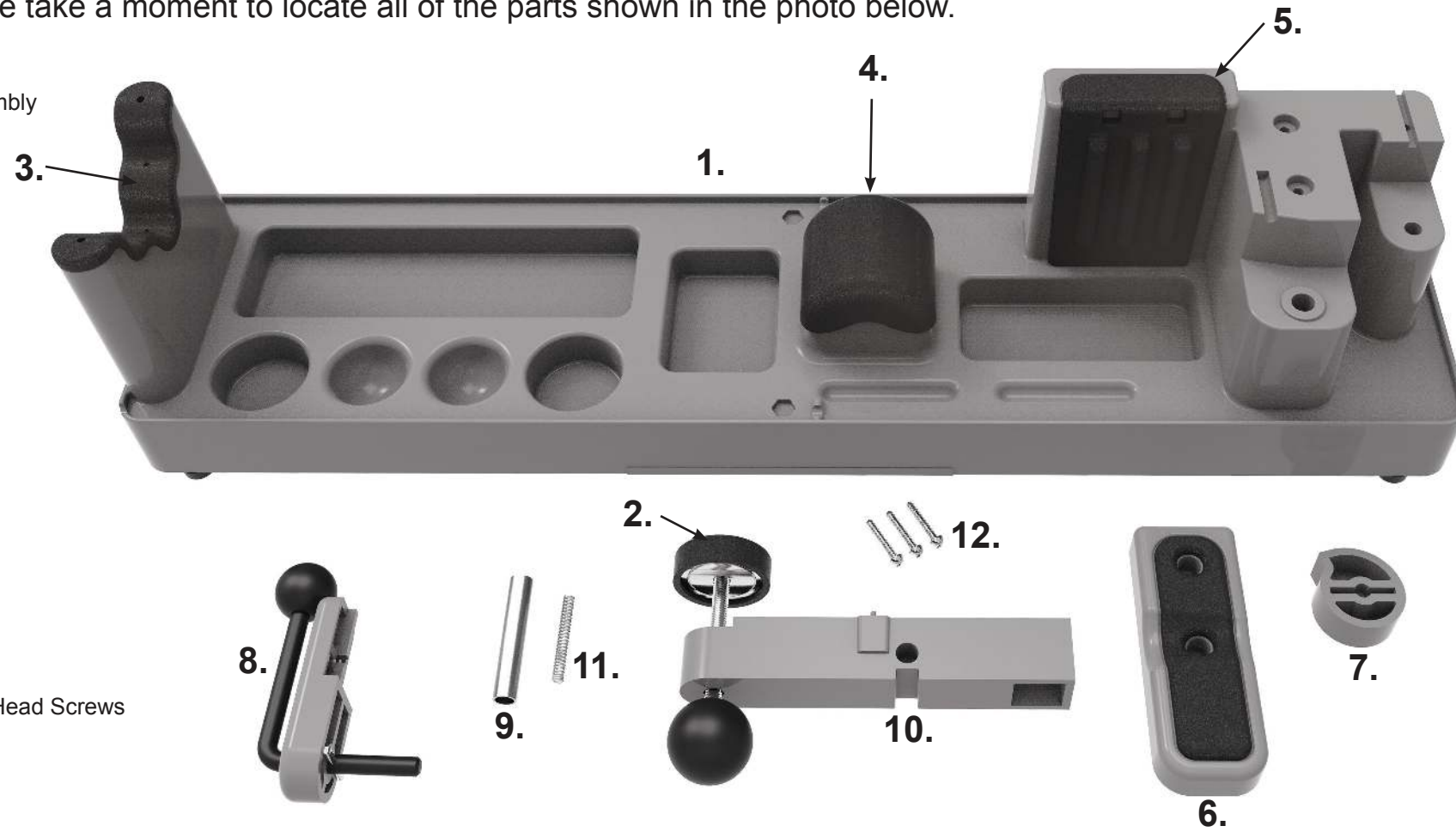
Limited Warranty

Every Tipton product is warranted to be free of defects in materials and workmanship for a period of one (1) year from the date of original purchase. Tipton will, at its option, repair or replace without charge, except for transportation costs, parts that fail under normal use and service when operated and maintained in accordance with our Instructions. This warranty does not apply to normal wear or to items whose life is dependent upon their use and care. This warranty is in lieu of all other warranties, expressed or implied and releases Tipton, its affiliates, and its vendors from all other obligations and liabilities.

WARNING: THIS PRODUCT IS NOT A BENCH REST. DO NOT SHOOT A FIREARM WHILE IT IS CLAMPED INTO THIS PRODUCT.

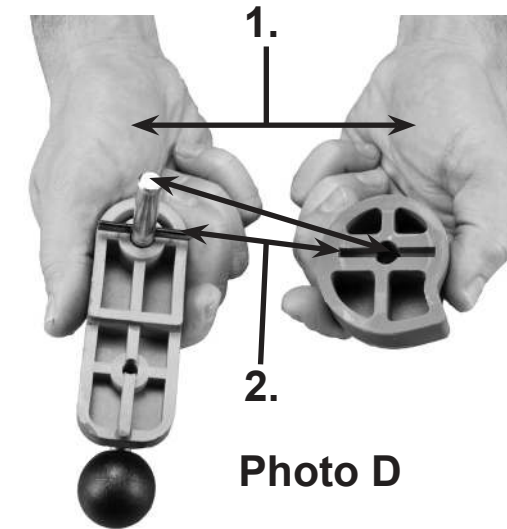
Thank you for purchasing a Tipton Gun Vise. Assembly of this product is very easy and requires only a Phillips head screwdriver. Please take a moment to locate all of the parts shown in the photo below.

- 1..... Gun Vise Base Assembly (1018466)
- 2..... Clamp Pad (203931)
- 3..... Forend Pad (1018468)
- 4..... Grip Pad (1000076)
- 5..... Rear Pad (1000077)
- 6..... Pivot Arm Cover (1015872)
- 7..... Cam (527772)
- 8..... Cam Lever Assembly (432410)
- 9..... Pivot Arm Pin (242621)
- 10... Pivot Arm Assembly (318636)
- 11... Spring (539059)
- 12... (3) 1/4-20 x 1.25 Pan Head Screws (138037)



2. Cam Assembly

1. Hold the Cam(7) in one hand and the Cam Lever Assembly(8) in the other hand as shown (photo D).
2. Insert the Cam Lever into the Cam so that the Roll Pin snaps into the slot in the Cam. The completed Cam Assembly should be oriented like below (Photo E).
3. Now slide the bottom of the Cam Lever into the hole in the Base and secure the Cam Cover with the remaining Screw.

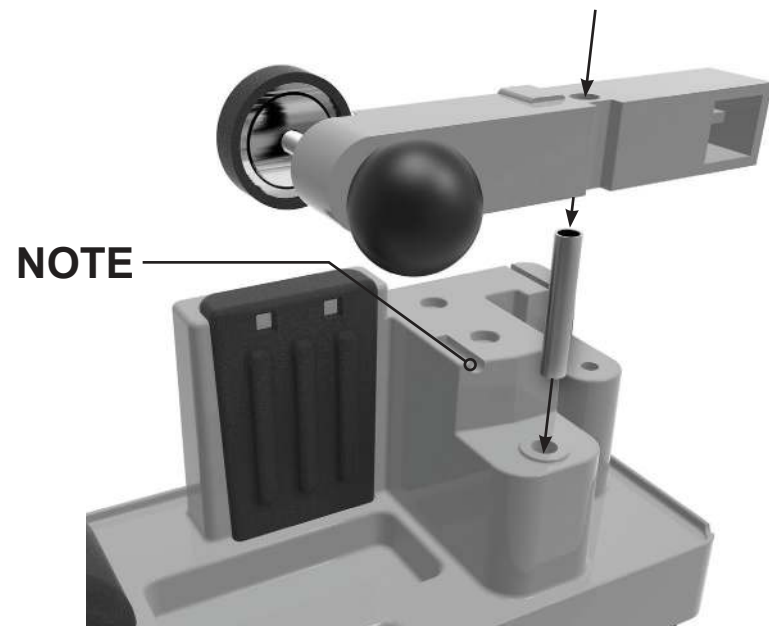


ASSEMBLY INSTRUCTIONS:

1. Pivot Arm Assembly

1. Insert the Pivot Arm Pin(9) into the large hole in the vise.
2. Install the Pivot Arm(10) onto the pin.

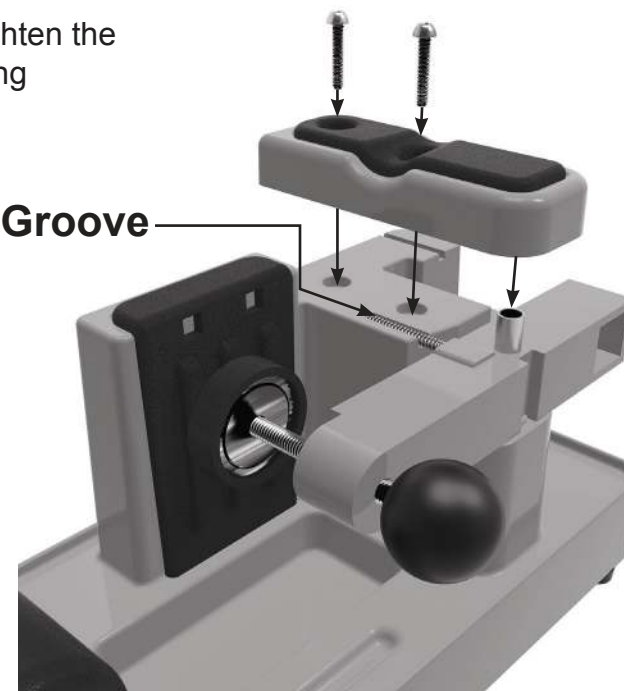
NOTE: The Arm should be oriented so that the Spring Alignment Stud is even with the Spring Groove as shown.



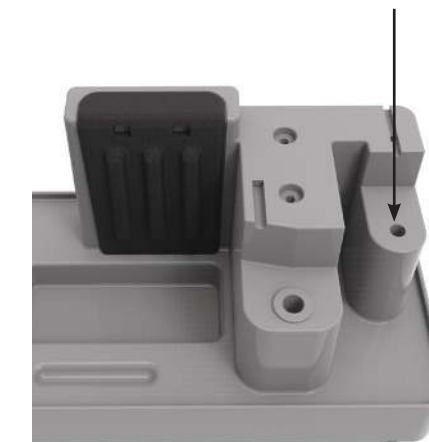
3. Slide one end of the Spring(11) onto the Alignment Stud and place the body of the spring into the Spring Groove.
4. Now place the Pivot Arm Cover(6) over the Pivot Arm Pin and secure it with two of the provided Pan Head Screws(12).

NOTE: Do not over tighten the screws. Over tightening the screws can strip out the plastic base.

Spring Groove



Cam lever post hole



Secure Screw



Battenfeld
Technologies, Inc.

Looking for gun maintenance products? Visit our website.