

Tipton™

Deluxe Carbon Fiber Cleaning Rods



The Finest Cleaning Rod Money Can Buy



This is the finest
cleaning rod money can buy.

No other rod is more thoroughly researched and engineered.

No other rod features dual ball bearings and shank-through construction.

No other rod has the advantages that come from a high-modulus carbon fiber shaft.

No other rod deserves a place in your cleaning kit.



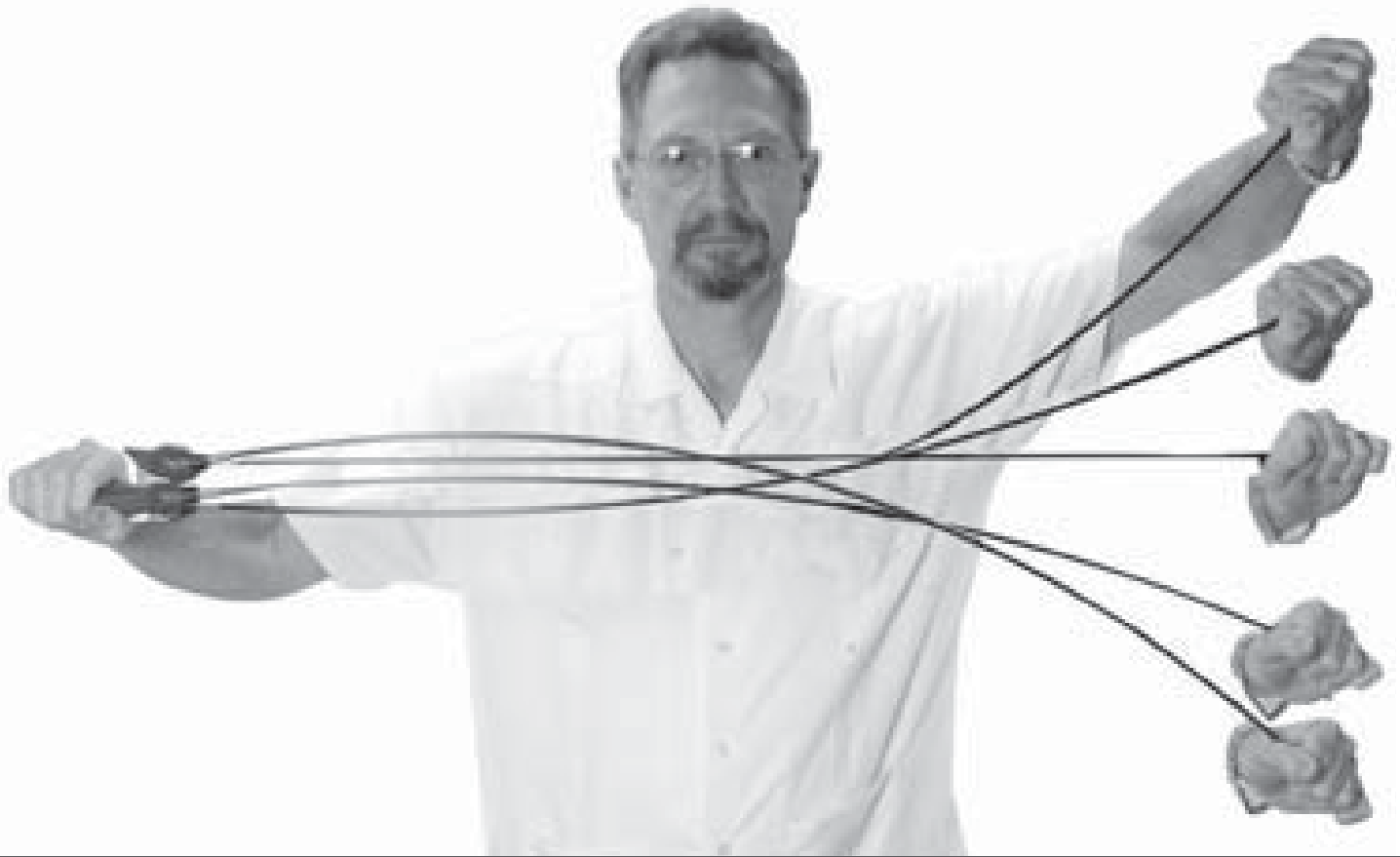
Carbon fiber is an ideal material for cleaning rods

Carbon Fiber is better than Stainless Steel

- Stainless Steel rods are hard, and will wear rifling on the throat and crown of a rifle.
- Stainless Steel shafted rods will take a “set” if bent too far and can never return to true. Carbon fiber rods can be bent and return to their original straightness.

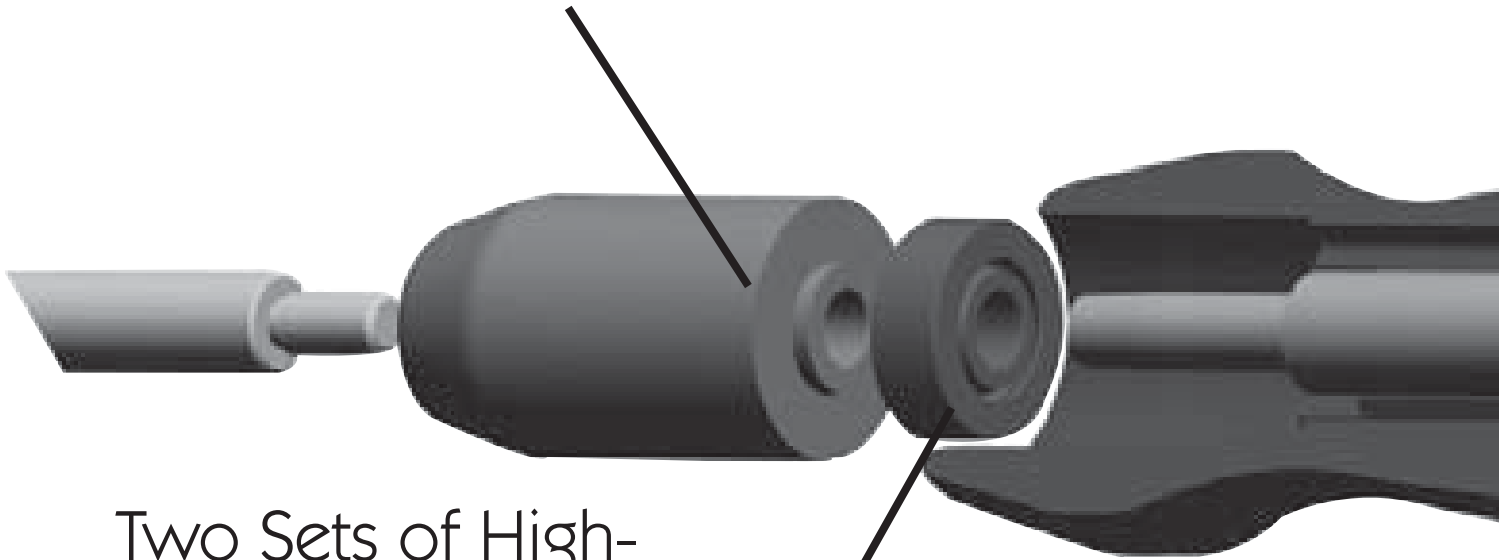
Carbon Fiber is better then Coated Steel

- “Coated rods” are made from steel that has been covered with a synthetic material. This coating is soft and will embed with damaging grit over time.
- Because the center of a Coated rod is steel, it will take a “set” if bent too far.



Rods bend but always return
to original straightness.

All-Steel Internal
Construction

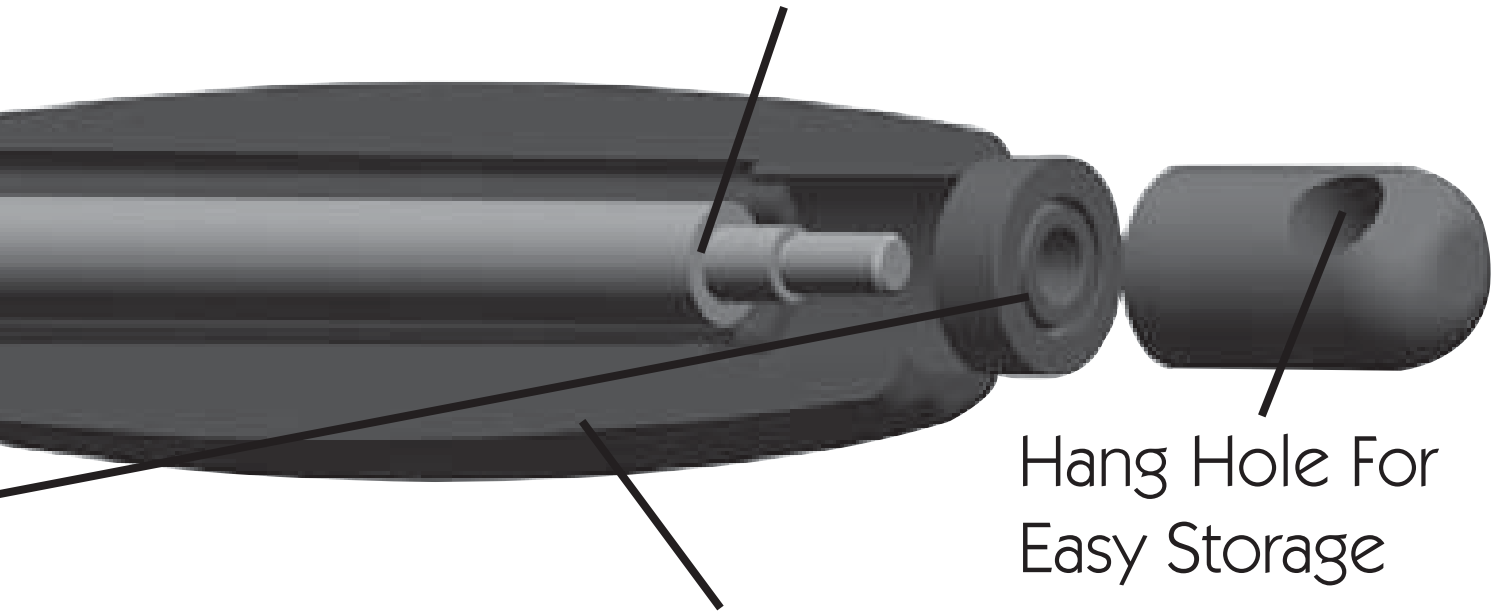


Two Sets of High-
Quality Bearings

- Won't bind under pressure
- Smoothly follows rifling

The Finest Cleaning

Shank-Through
Construction for Working
Tight Patches



Hang Hole For
Easy Storage

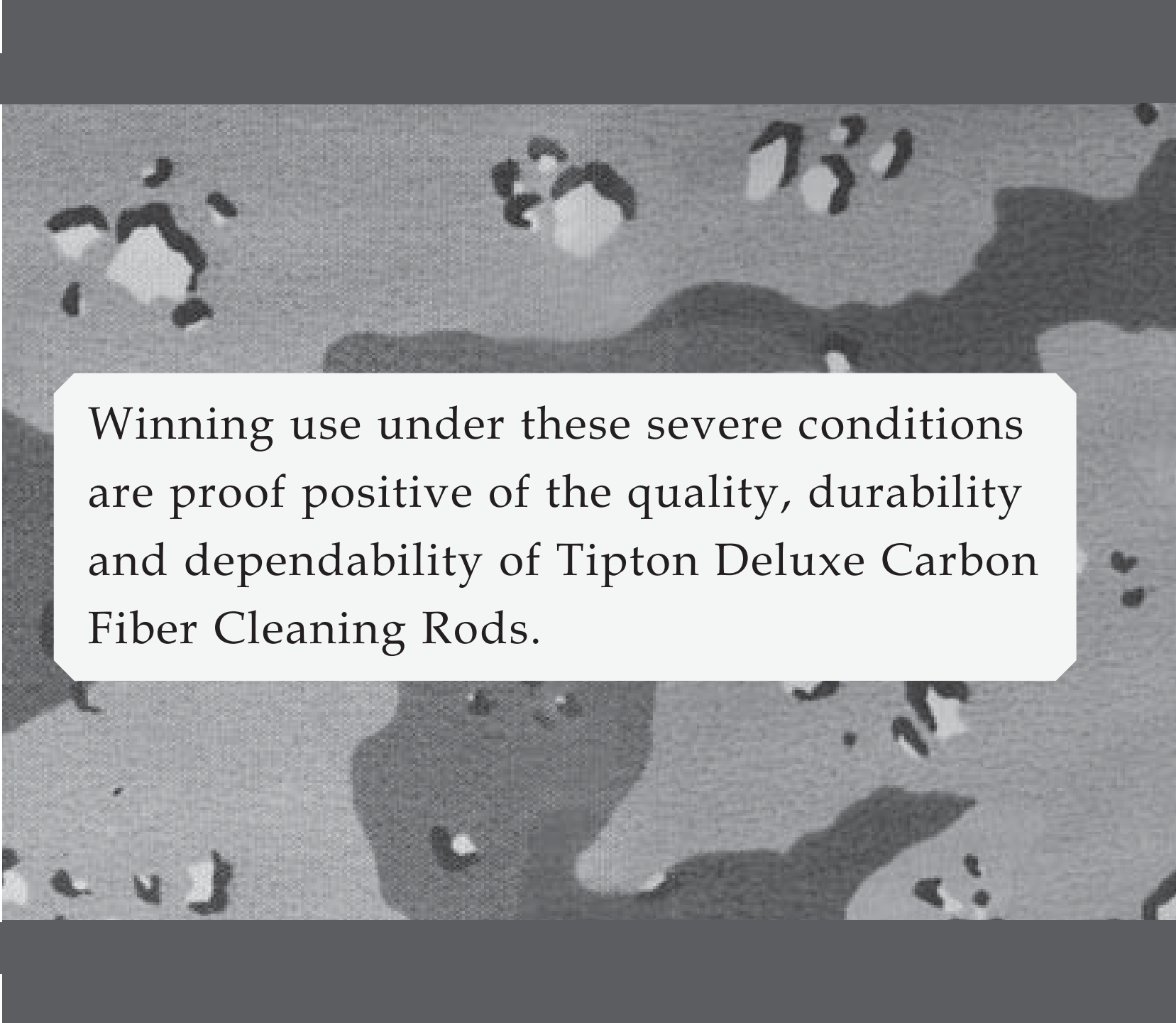
Comfortable Ergonomic Shape

Rod Money Can Buy

Tipton™

Choice of the US Military

During Operation Iraqi Freedom, US Military Armorers called on Tipton provide cleaning rods that would clean service rifles in demanding conditions. Carbon Fiber rods will not pick up potentially damaging small abrasive particles that speed up wear in rifle barrels.



Winning use under these severe conditions are proof positive of the quality, durability and dependability of Tipton Deluxe Carbon Fiber Cleaning Rods.

Tipton's Other Cleaning Accessories



Tipton Gun Vise



Tipton Best Gun Vise

Tipton Makes a Rod That Fits

	17-20	22-27	27-45	40+	Shotgun
12"	x	x	x		
26"	x	x	x		
36"	x	x	x		
40"		x	x	x	x
44"		x	x	x	
62" (50 BMG)				x	

**Rods feature industry-standard threads
to fit standard cleaning accessories.**

17 Caliber: 5-32 • Shotgun: 5/16"-27 • All others: 8-32