

# ➤ Instructions

**Thule Spring Canopy**  
113003XX



501-8908-01

**IMPORTANT**

• IMPORTANT - READ CAREFULLY AND KEEP FOR FUTURE REFERENCE. The child's safety may be affected if you do not follow these instructions.

**⚠ WARNING!**

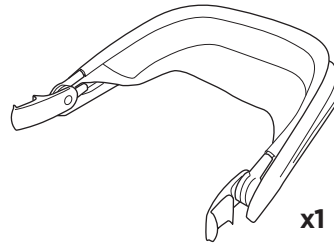
- Ensure that all the locking devices are engaged before use.
- Do not let your child play with this product.
- Not designed to restrain the child.
- Avoid serious injury from falling or sliding out. Always use seat belt.
- Do not lift the stroller by the canopy.

**MAINTENANCE**

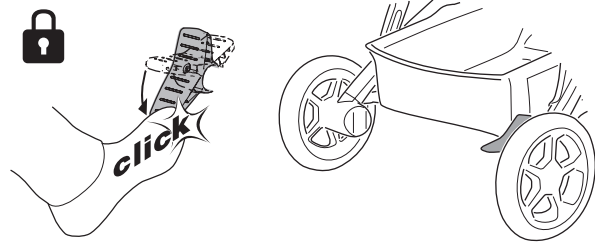
- Clean the Thule Spring Canopy with a cloth and warm water. Dry it with a dry cloth.

**IMPORTANT INFORMATION**

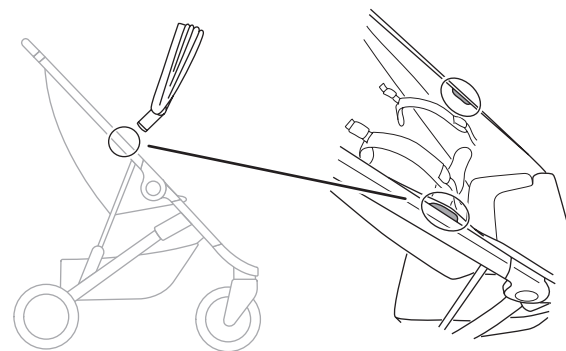
Thule Spring Canopy is compatible with Thule Spring.



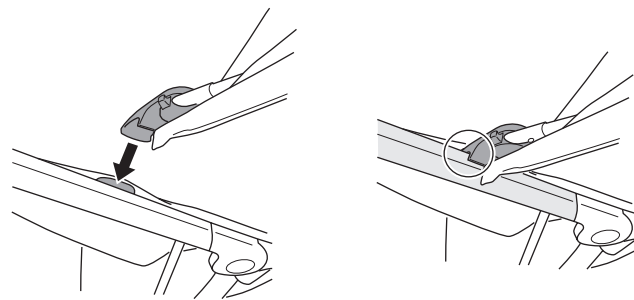
**1**



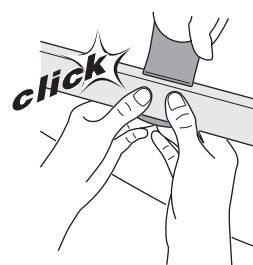
**2**



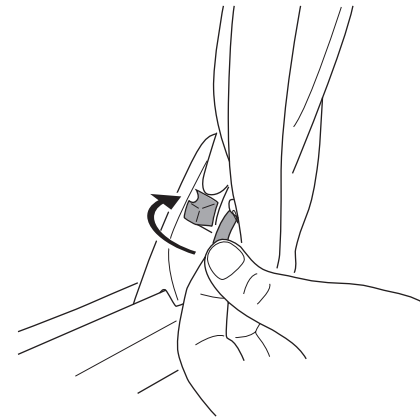
**A**



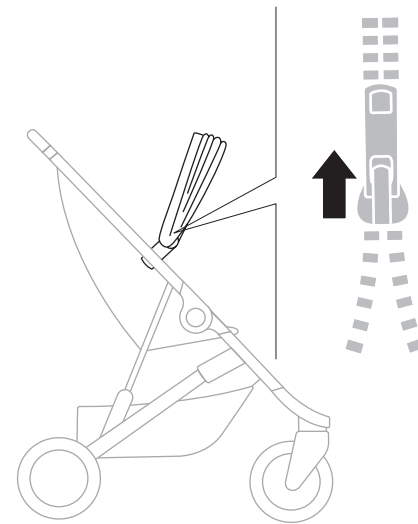
**B**



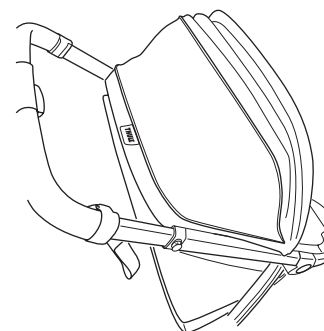
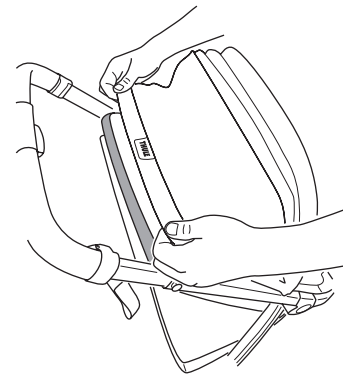
**3**



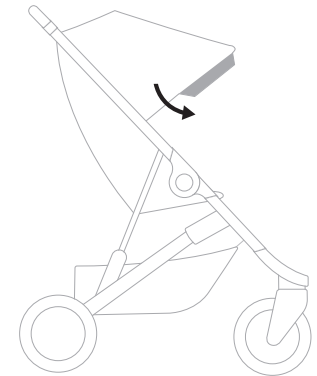
**4**



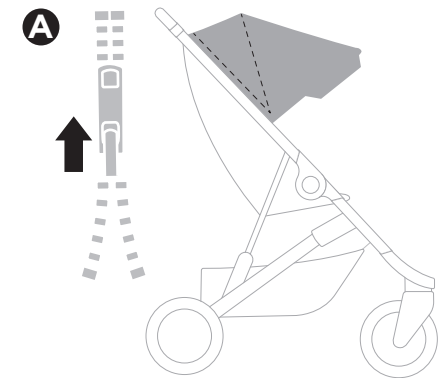
**5**



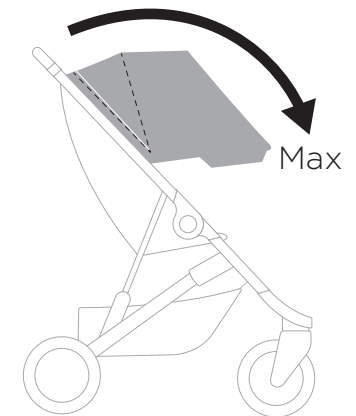
**i**



**i**



**B**



**C**

