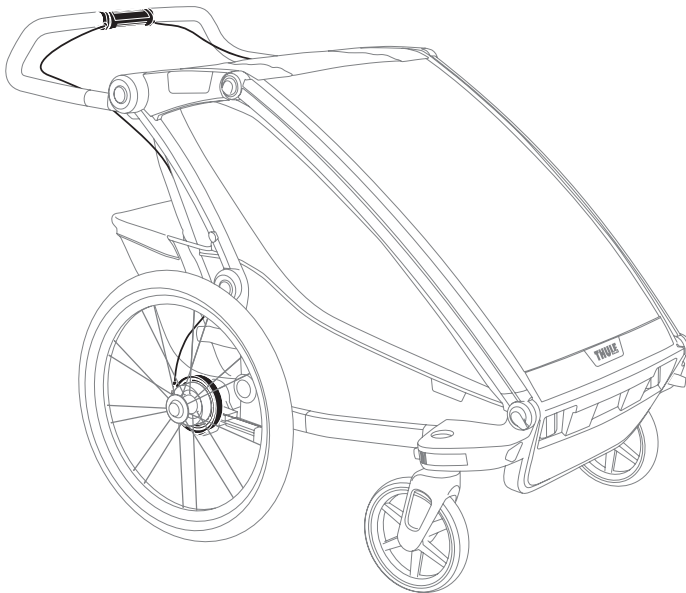
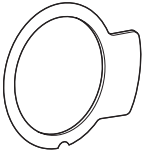


## Thule Chariot Brake Kit

# ➤ Instructions





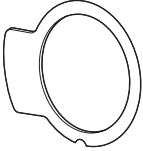
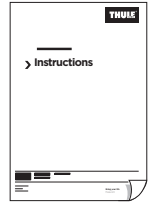
x1



x2



x6



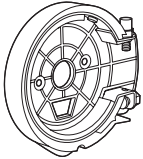
x1



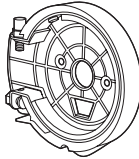
x2



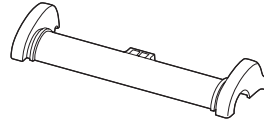
x4



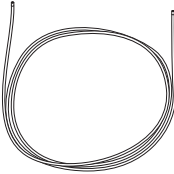
x1



x1



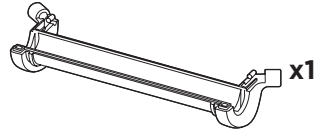
x1



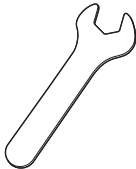
x2



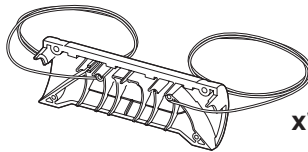
x2



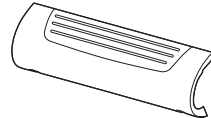
x1



x1

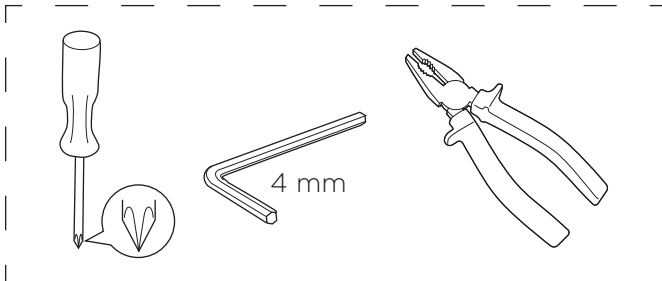


x1

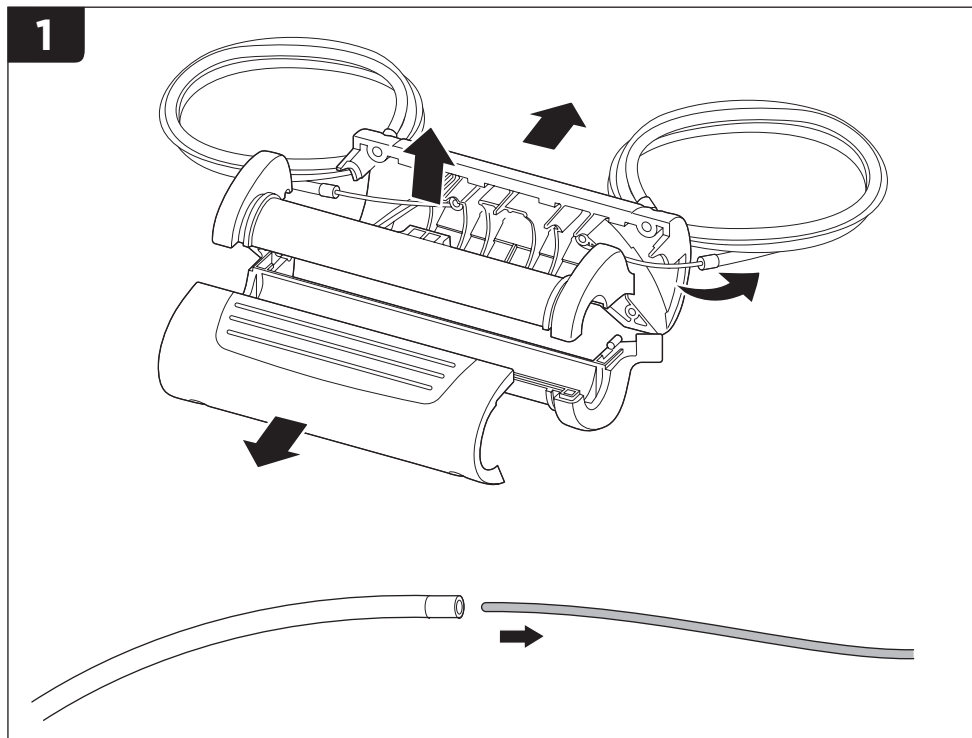
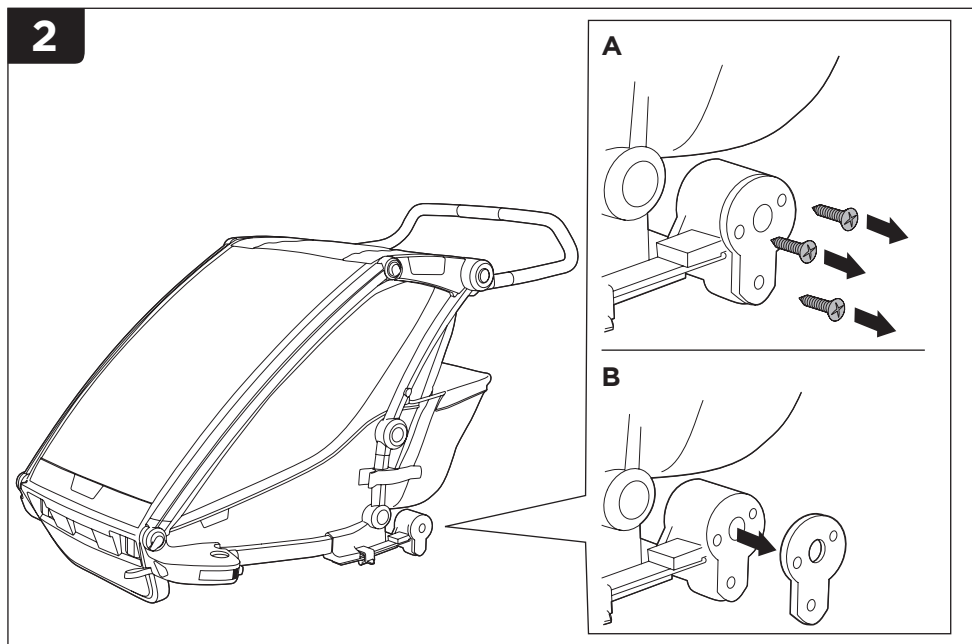


x1

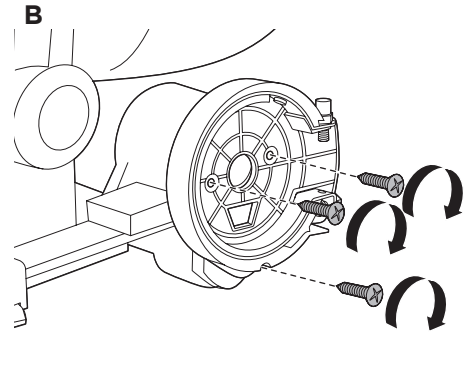
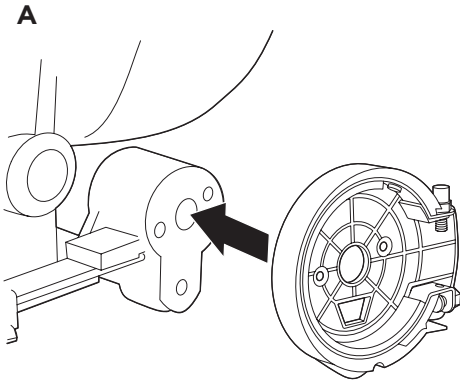
10 mm



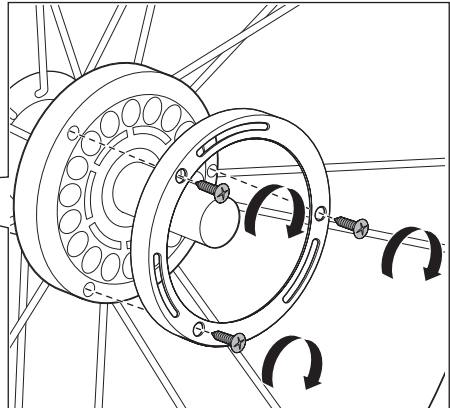
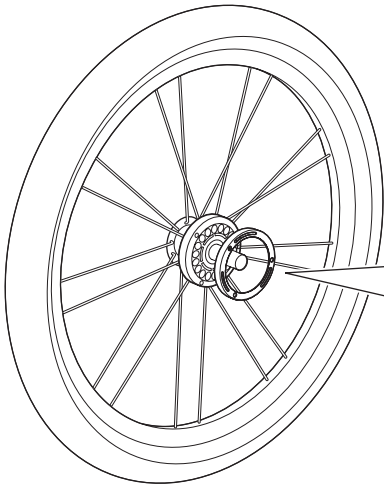
4 mm

**1****2**

**3** x2



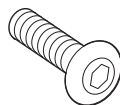
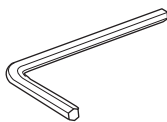
**4** x2



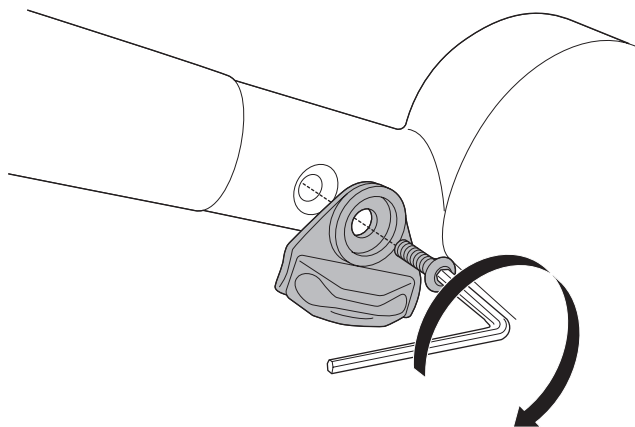
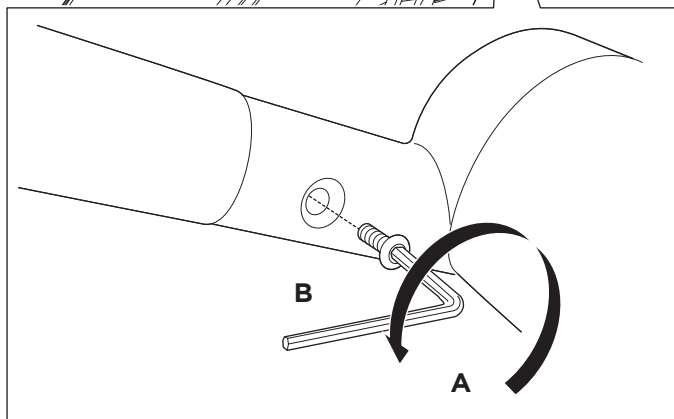
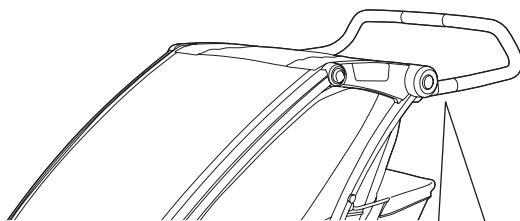
**5** x2



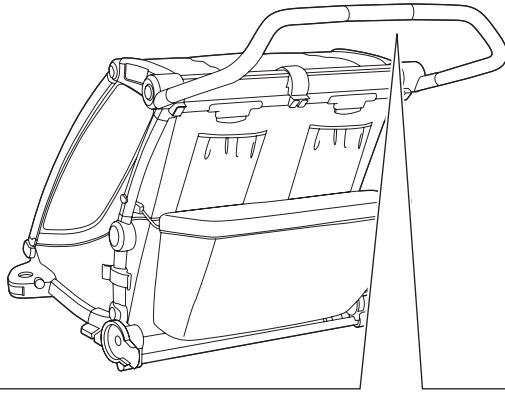
x2



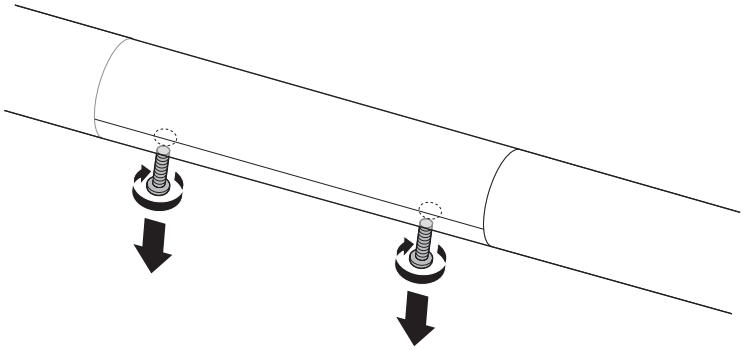
x2



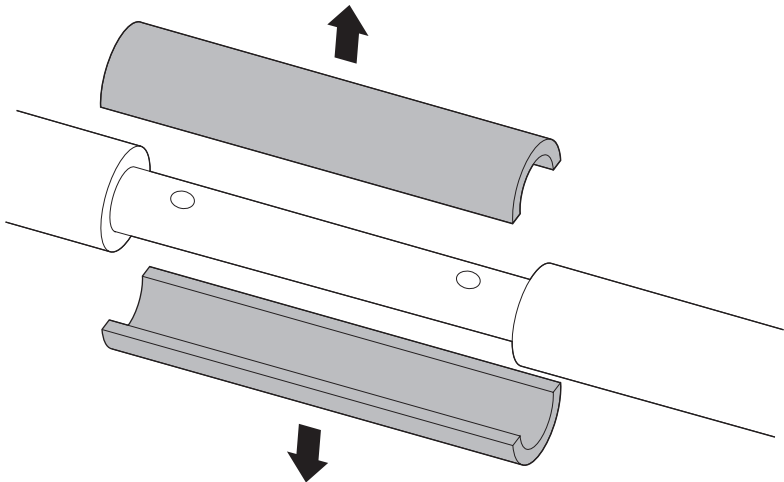
6



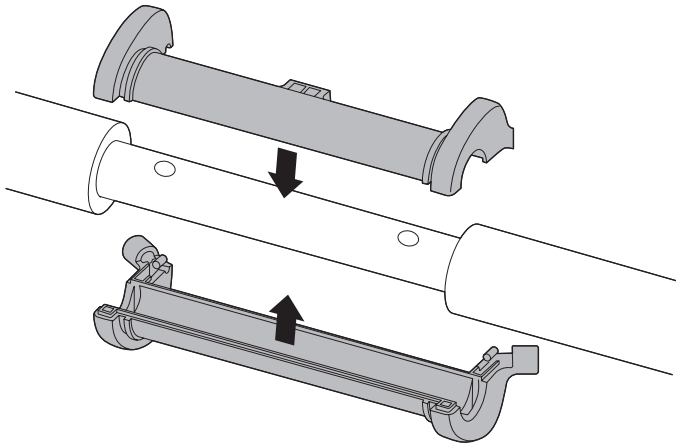
A



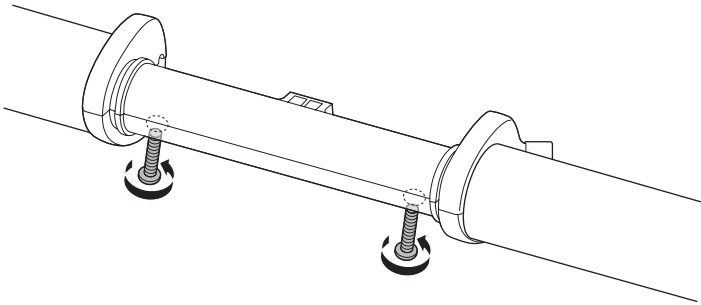
B



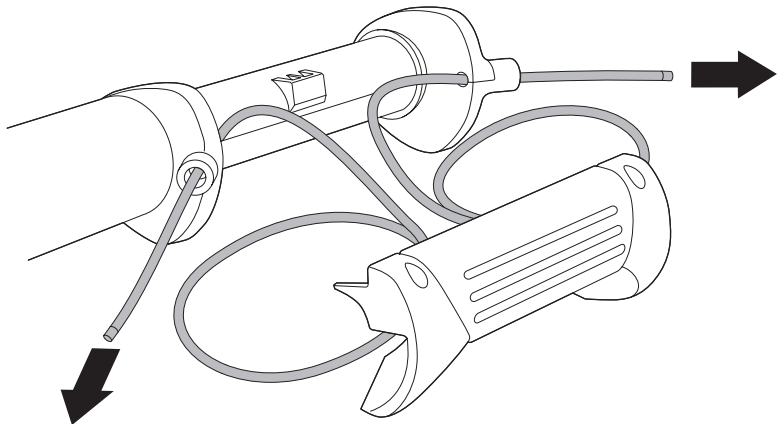
C



D

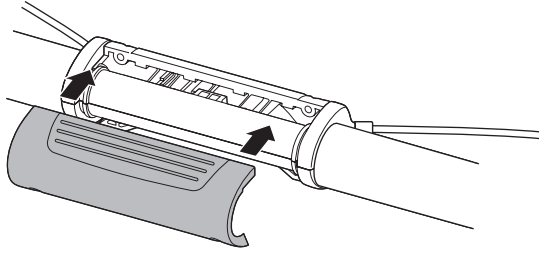


E

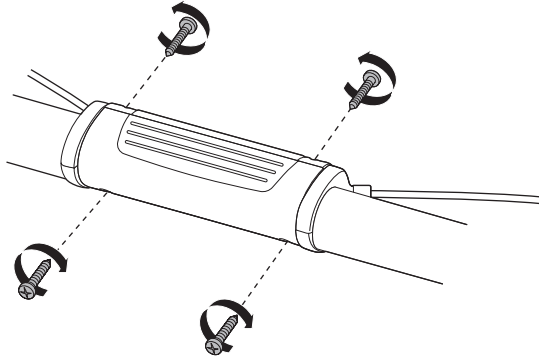


**7**

**A**

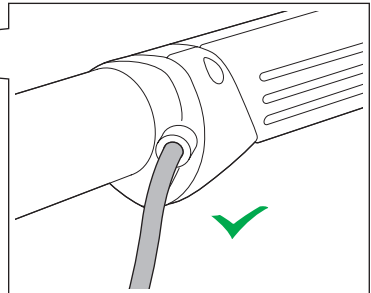
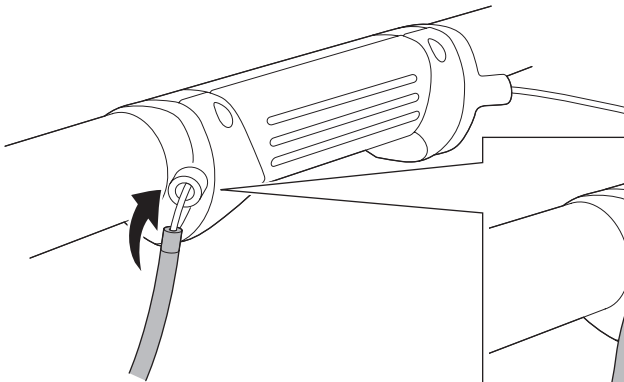
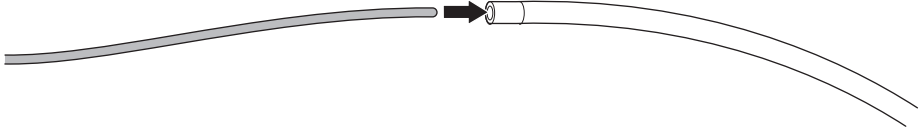


**B**



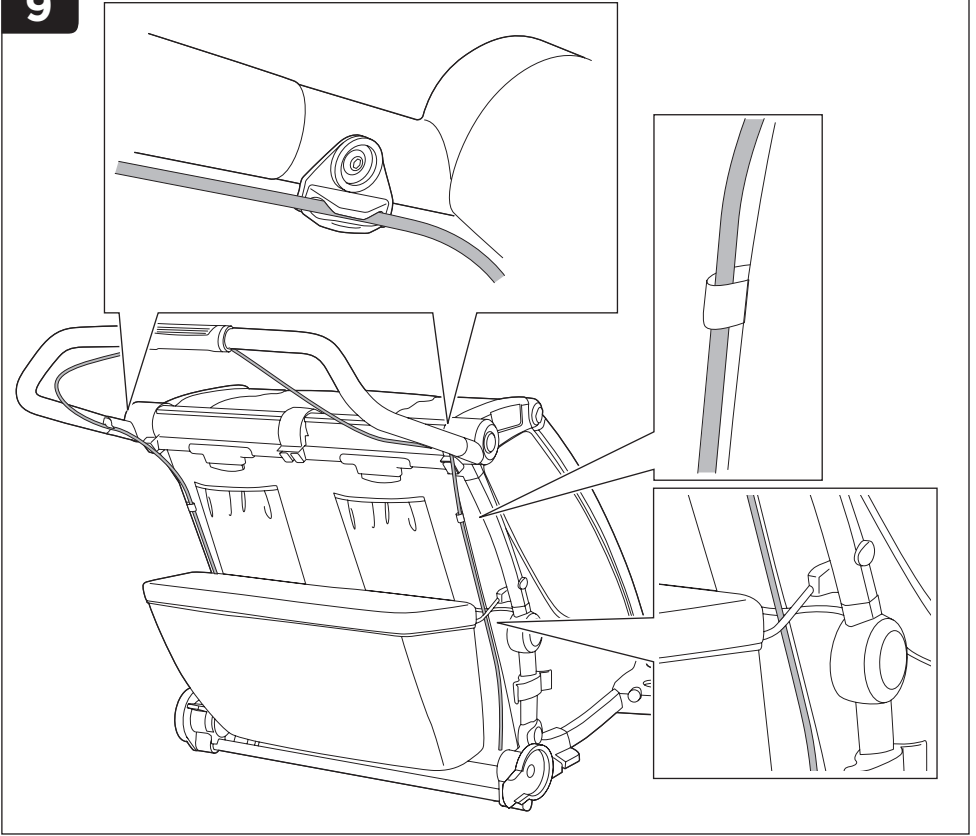
**x4**

**8**

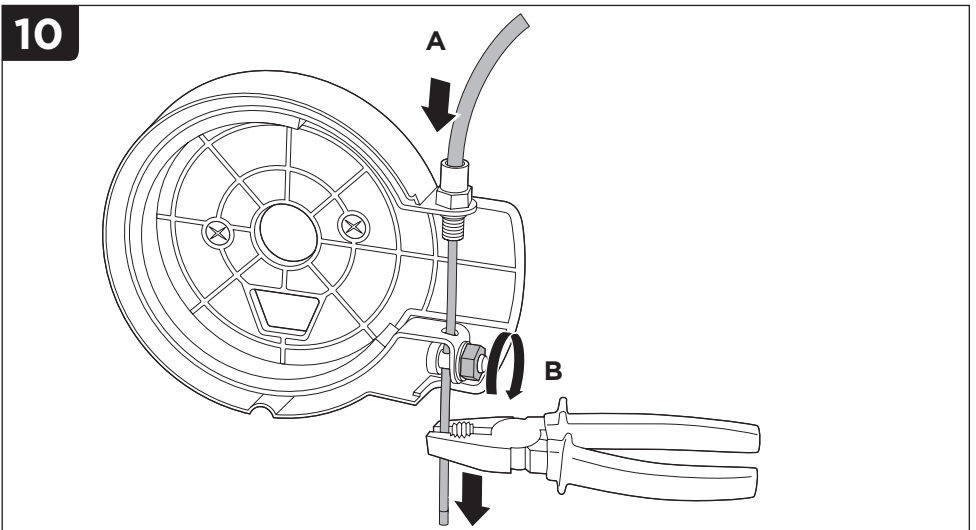




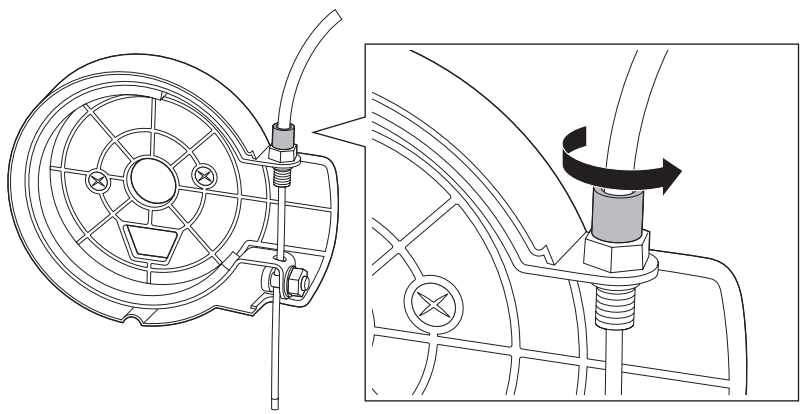
9



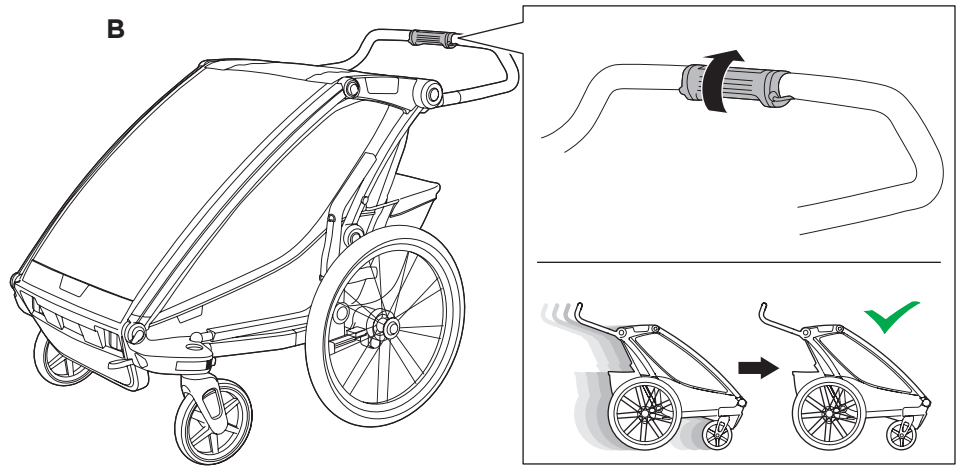
10



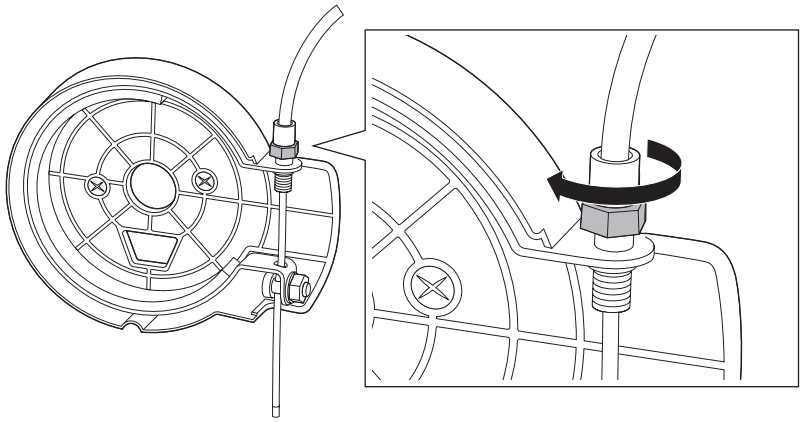
A



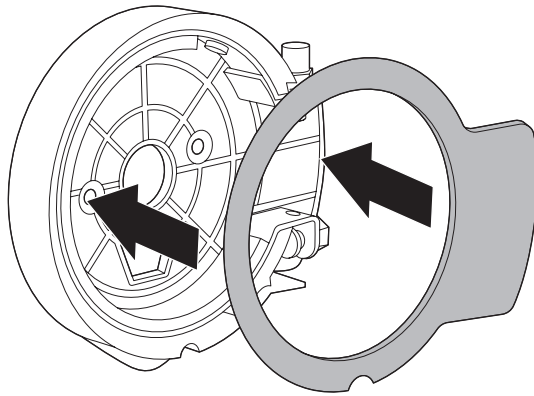
B



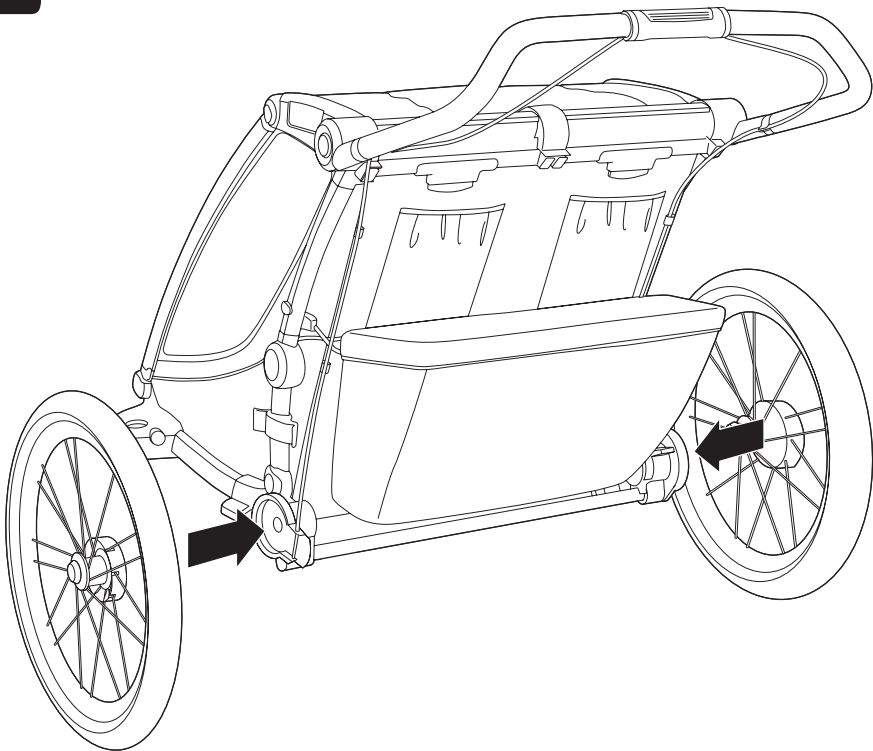
C



**12** x2



**13**





## **WARNING:**

- Not suitable for skating.
- Use wrist safety strap at all times.
- Check that the brakes work properly before use.