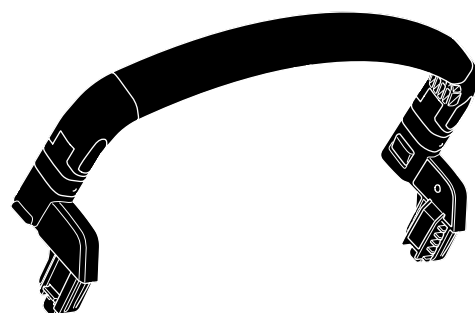


> Instructions

Thule Spring Bumper Bar
11300403



5560047001

IMPORTANT

• IMPORTANT - READ CAREFULLY AND KEEP FOR FUTURE REFERENCE. The child's safety may be affected if you do not follow these instructions.

⚠ WARNING!

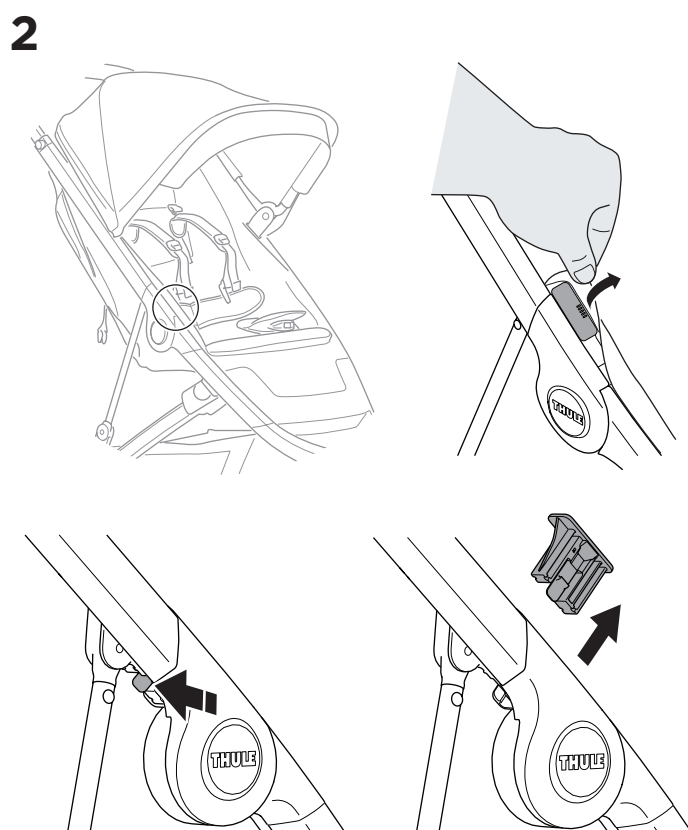
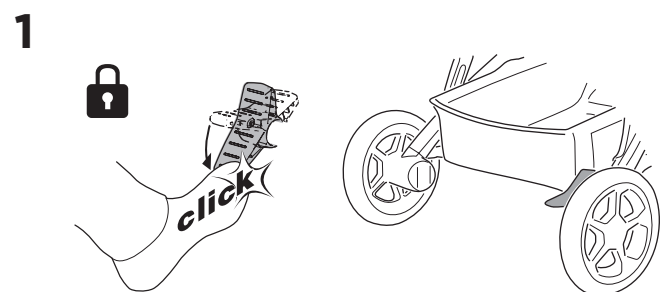
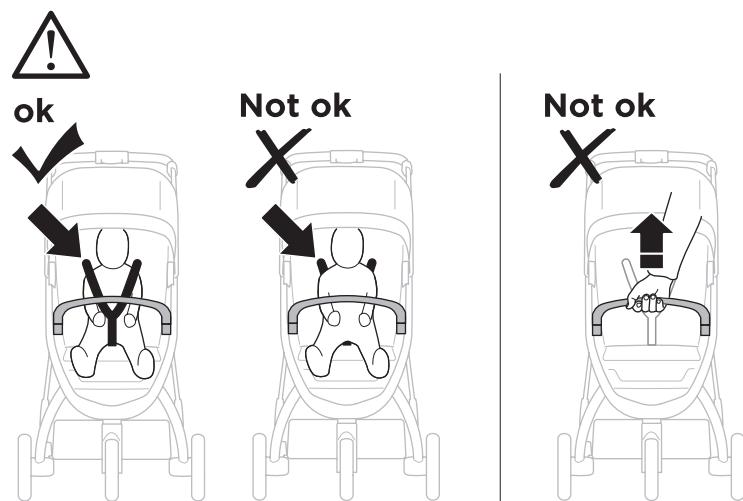
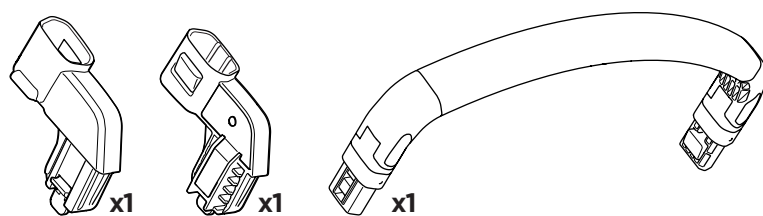
- Ensure that all the locking devices are engaged before use.
- Do not let your child play with this product.
- Not designed to restrain the child.
- Avoid serious injury from falling or sliding out. Always use seat belt.
- Do not lift the stroller by the bumper bar.

MAINTENANCE

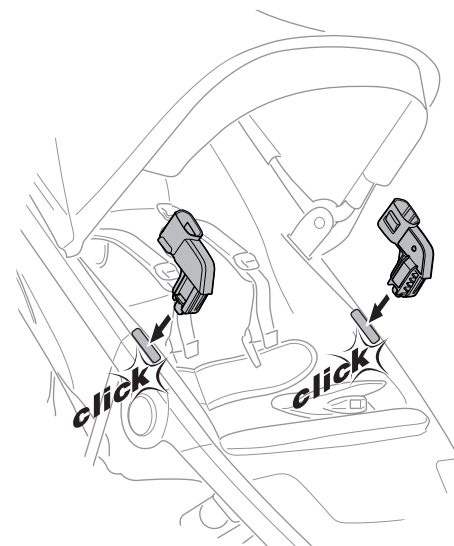
- Clean the Thule Spring Bumper Bar with a cloth and warm water. Dry it with a dry cloth.

IMPORTANT INFORMATION

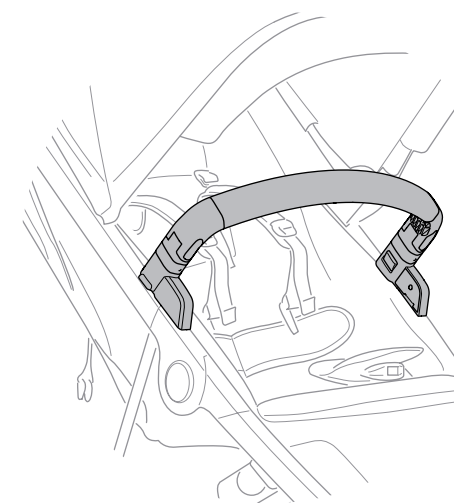
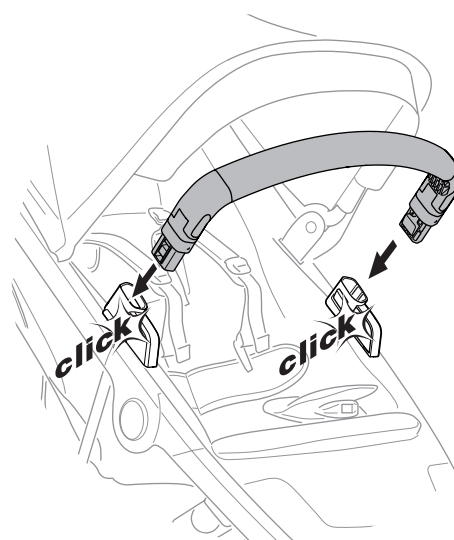
Thule Spring Bumper Bar is compatible with Thule Spring.



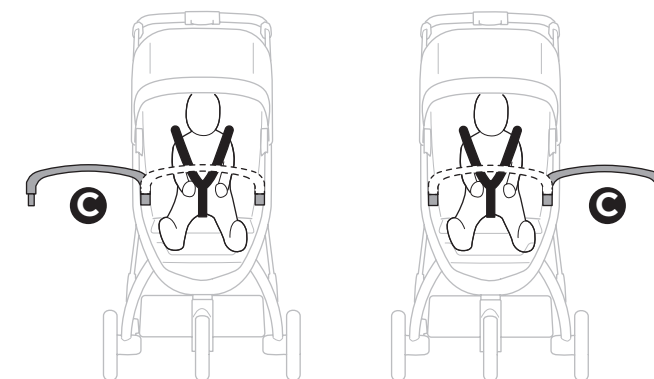
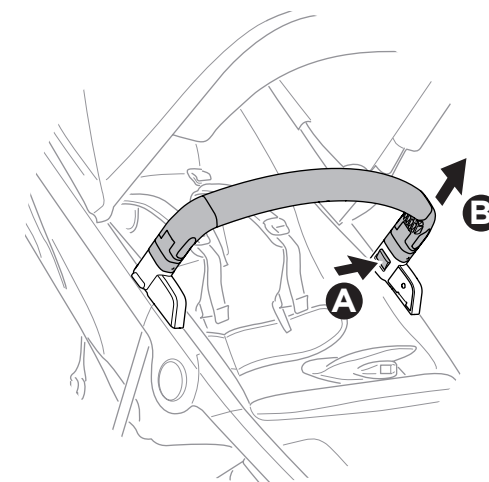
3



4



i



i

