

> Instructions

Thule Organizer
11000323



IMPORTANT

Keep these instructions for future reference. Your child's safety may be affected if you do not follow these instructions.

⚠ WARNING!

- Do not let your child play with this product.
- The stroller will become unstable if the manufacturer's recommended load is exceeded.
- Do not use product around or near an open fire or exposed flame. Carelessness causes fire.
- Do not use the Thule Organizer to hold hot liquids or food items.

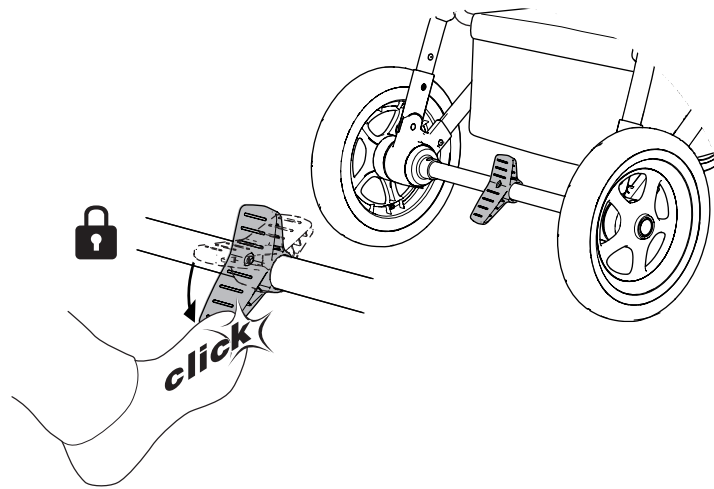
MAINTENANCE

- Spot wash with mild soap & warm water & if needed, light scrubbing using a soft plastic bristle brush. Rinse well with warm water. Hang to air dry completely.
- Do not machine wash! No bleach. Do not iron. Do not dry clean.

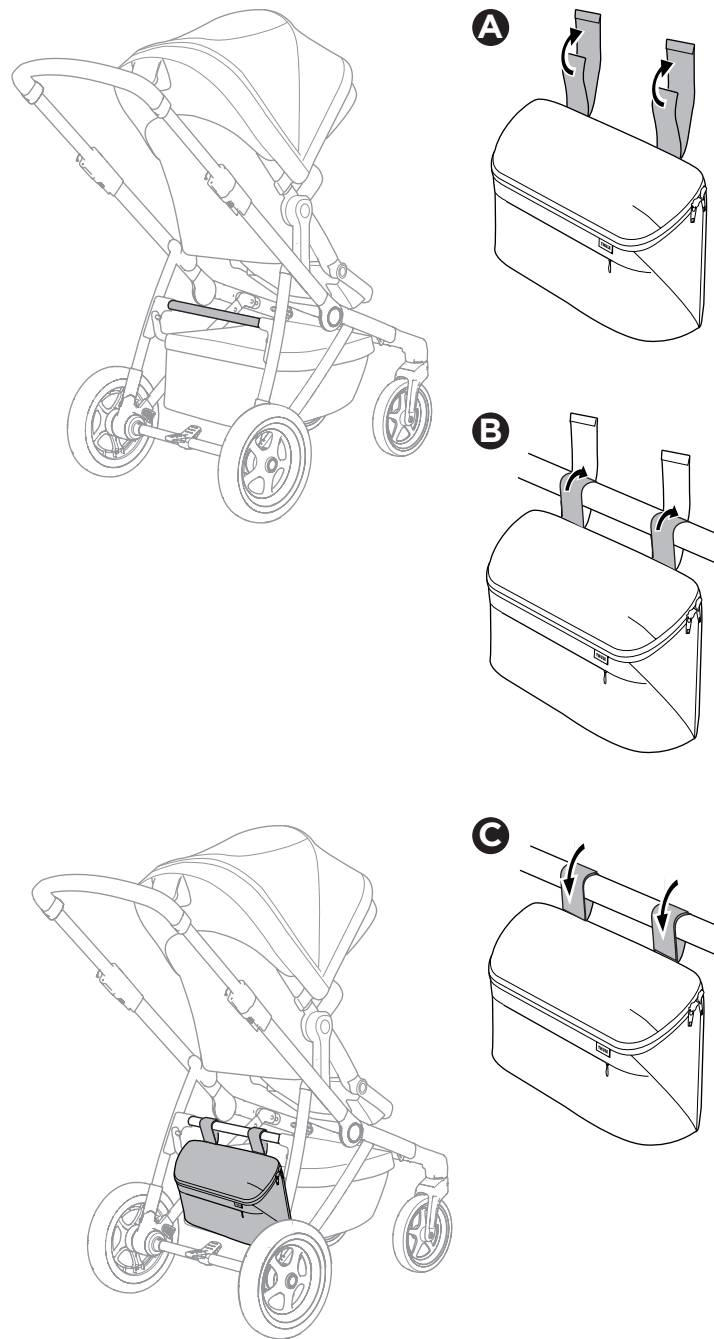
IMPORTANT INFORMATION

Thule Organizer is compatible with Thule Sleek.

1



2



i

MAX
2 kg
4,4 lbs

