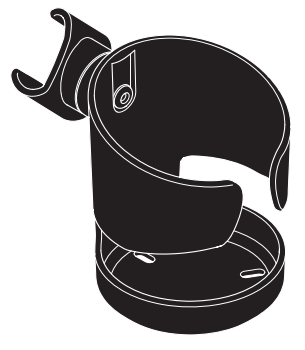


# > Instructions

Thule Cup Holder  
11000308



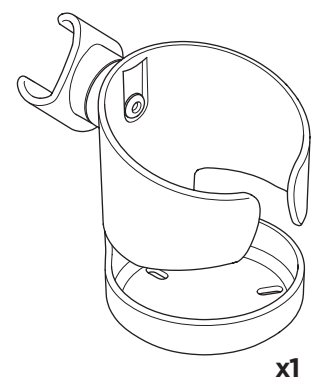
**IMPORTANT**

Keep these instructions for future reference. Your child's safety may be affected if you do not follow these instructions.

- ⚠ WARNING!**
- Ensure that all the locking devices are engaged before use.
  - Do not let your child play with this product.
  - The child carrier will become unstable if the manufacturer's recommended load is exceeded.
  - Before folding or removing the seat or bassinet from the chassis make sure to remove any container from the cup holder.
  - Do not use in rough terrain.
  - Do not use the Thule Cup Holder to hold hot liquids or food items.

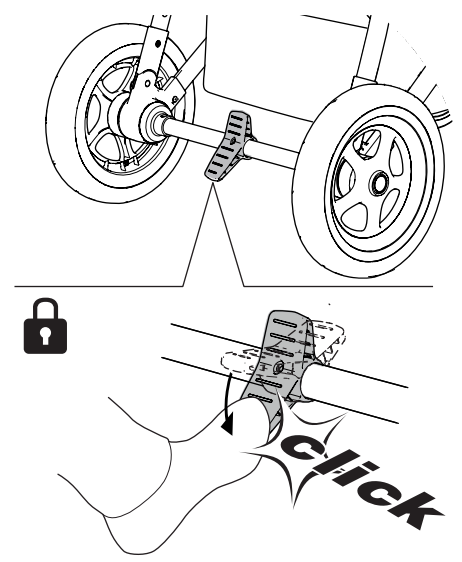
**MAINTENANCE**  
Clean the cup holder with a cloth and warm water. Dry it with a dry cloth.

**IMPORTANT INFORMATION**  
Thule Cup Holder is compatible with Thule Sleek.

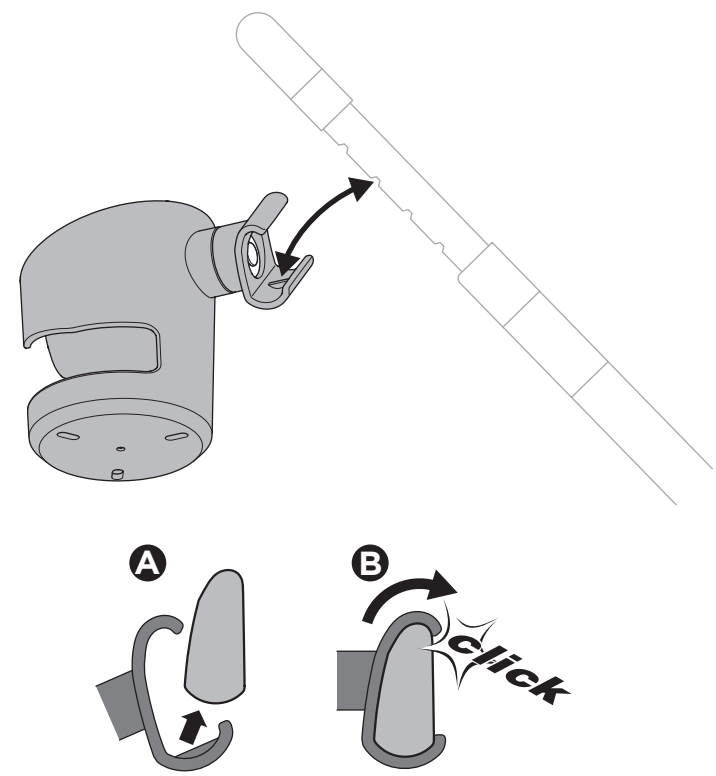
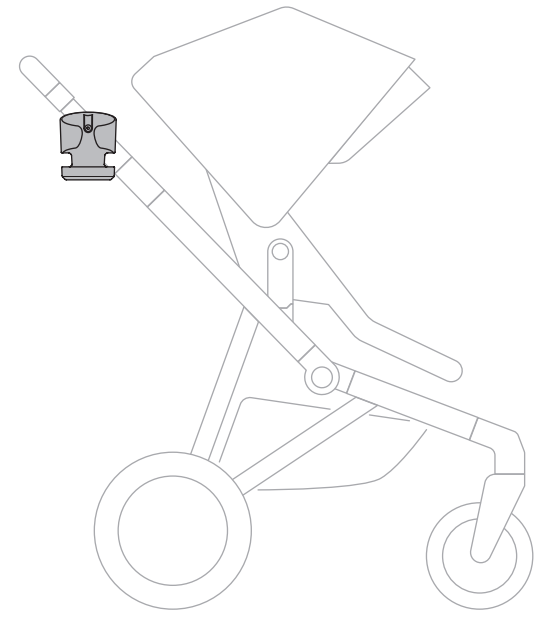


**!** Max 0,5 kg  
1.1 lbs

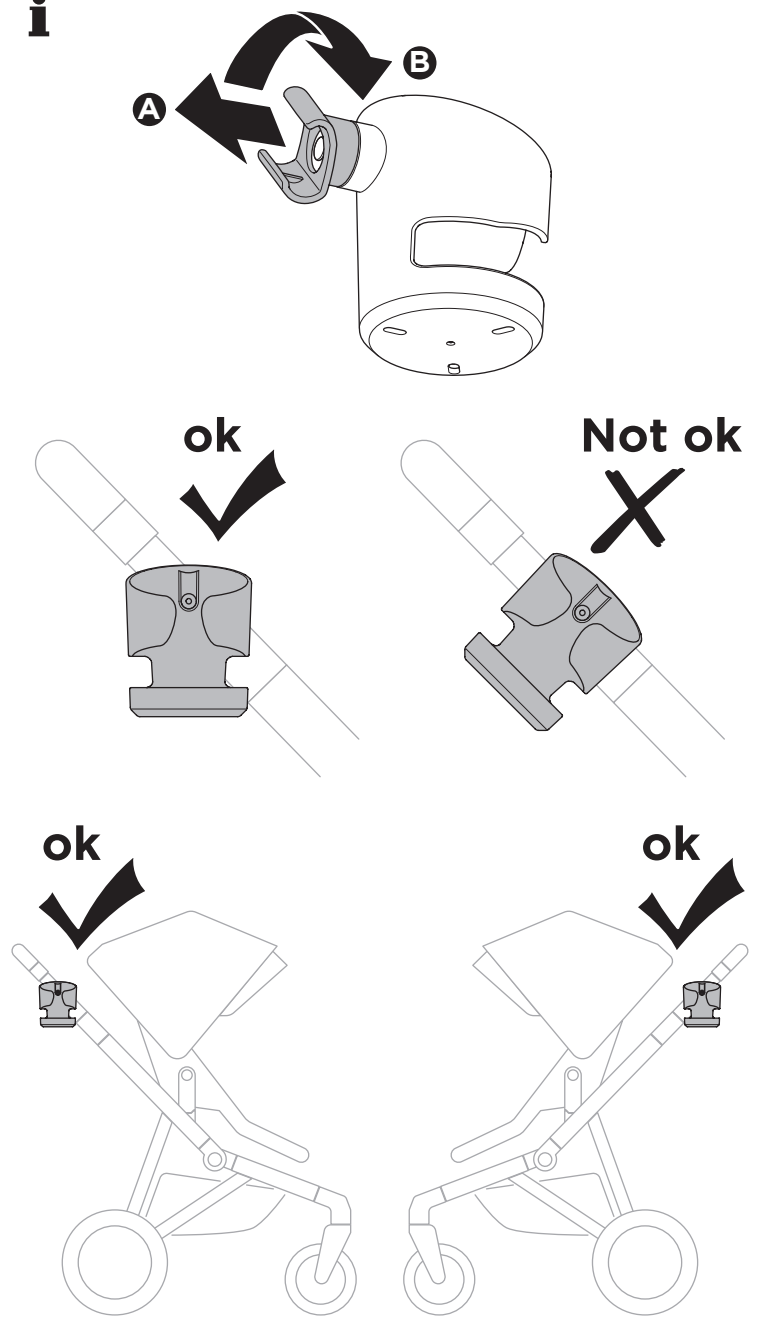
**1**



**2**



**i**



**i**

