

➤ Instructions

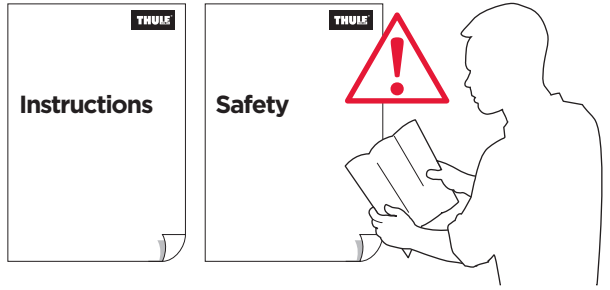
Thule Sleek Bassinet












Bassinet












11000100, 11000101, 11000102, 11000103, 11000104, 11000105,
11000106, 11000107



Bassinet including bassinet rain cover, upper and lower adapters

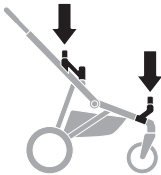
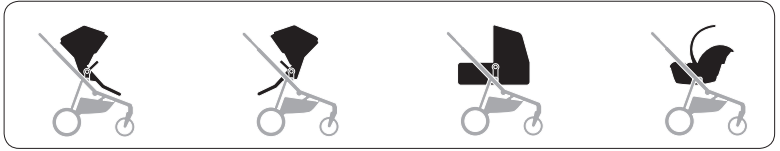


					
MAX kg 	 9 kg	 9 kg + 9 kg	 9 kg + (9 kg)	 9 kg + (15 kg)	
MAX kg 	5 kg				

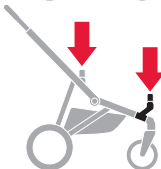
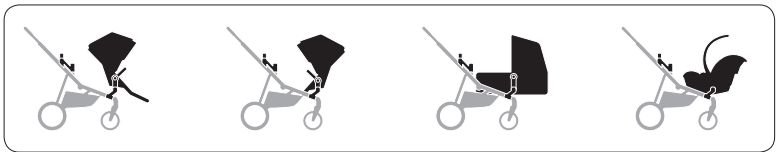
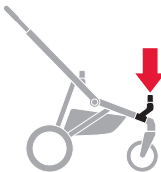
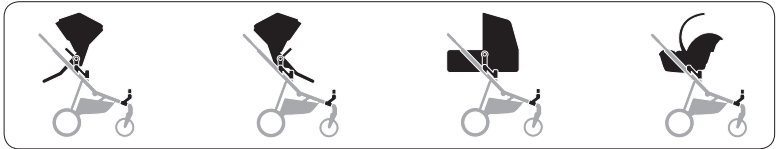
					
MAX lbs 	 20 lbs	 20 lbs + 20 lbs	 20 lbs + (20 lbs)	 20 lbs + (33 lbs)	
MAX lbs 	11 lbs				



Approved configurations



Not Approved configurations



Content

Introduction

Visual language in instructions
Introduction to Thule Sleek Bassinet
Safety guidelines
Maintenance

Preparing for use

In the box
Assembling the bassinet

Instruction for use

Mounting the bassinet
Using the canopy and ventilation
Folding bassinet and stroller
Using the rain cover

Instruction for use Duo and Twin mode

Mounting the bassinet

Visual language in instructions

The meaning of the visual language used in these instructions:



Visual check OK.



Conveys additional information.



Visual check not OK.



Indicates that special attention is required.



Audible click.



Indicates that special attention is required and refers to a paragraph in the safety guidelines section of these instructions.



Movement in given direction.



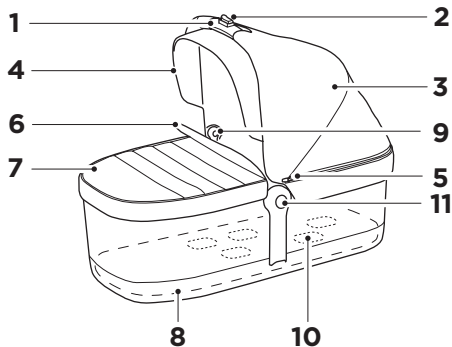
Indicates that special attention is required and refers to a paragraph in the safety guidelines section of the separate safety booklet delivered with this product.

2x

Repeat action.

➤ Features

1. Carry handle
2. Bassinet release slide button
3. Canopy
4. Sun visor
5. Zipper for canopy ventilation
6. Wind flap
7. Apron
8. Mattress
9. Canopy folding buttons
10. Bottom ventilation
11. Mounting arm fold button



WARNING:

- i1. **IMPORTANT** - Keep these instructions for future reference. Your child's safety may be affected if you do not follow these instructions.
- i2. Read the Safety manual for Thule Strollers and Bassinets before use and keep for future reference.
- i3. Read all instructions before use of the infant carrier.

IMPORTANT INFORMATION

Thule Sleek Bassinet is only compatible with Thule Sleek stroller.

MAINTENANCE

Keeping your Thule Sleek Bassinet clean and well maintained is an important factor in keeping it in good condition.

Regularly inspect your stroller and accessories for damage and signs of wear:

- Do not use the infant carrier if it is damaged or broken.
- Check metal components for any dents or cracks. Do not use the stroller if any metal components are cracked or damaged.

- Examine the fabric regularly for tears, worn spots or any other signs of damage.

The fabrics on Thule Sleek Bassinet can be cleaned according to the following instructions:

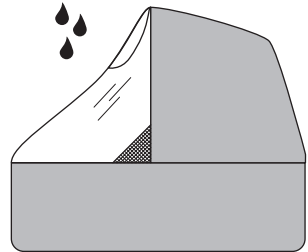
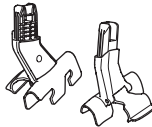
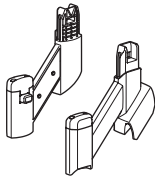
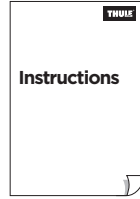
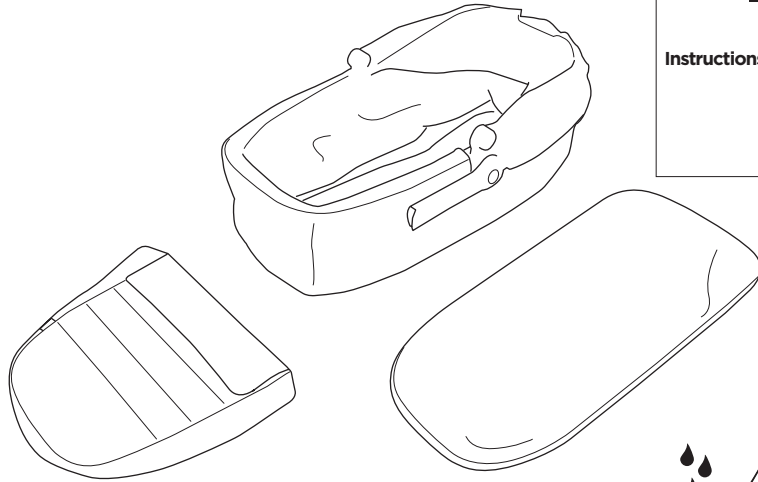
Apron, mattress pad, mattress cover & zip-off liner

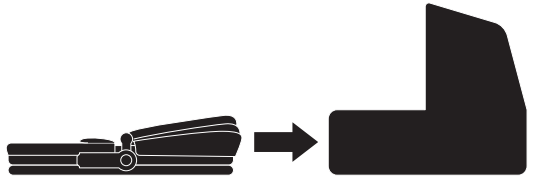
- Gentle machine wash separately or with like items using mild soap & warm water.
- Maximum water temperature 30 degrees Celsius.
- Rinse well & spin dry with no heat.
- Hang to air dry completely.
- No bleach. Do not iron. Do not dry clean.

Bassinet cover and canopy

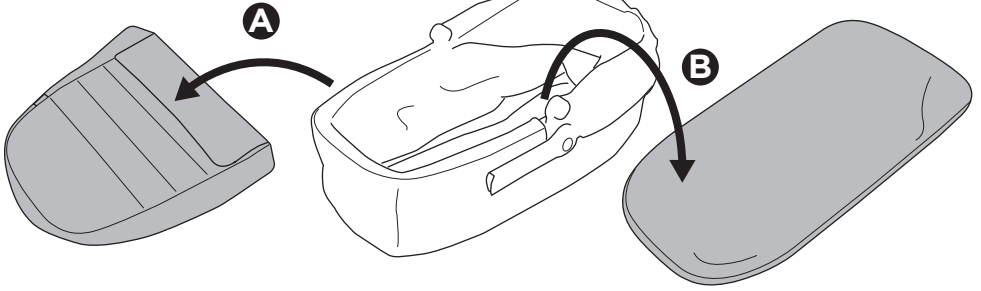
- Spot clean or hand wash gently with mild soap & warm water. Do not use cleaning solvents.
- Rinse well with warm water.
- Hang to air dry completely.
- Do not machine wash!
- No bleach. Do not iron. Do not dry clean.

Store your stroller and accessories in a dry area out of direct sunlight. Before storing your stroller, it should be dry to prevent the growth of mold or bacteria.

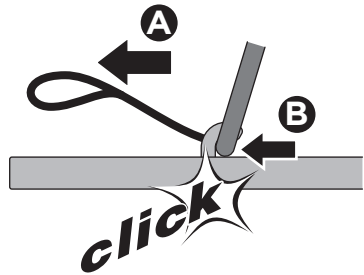
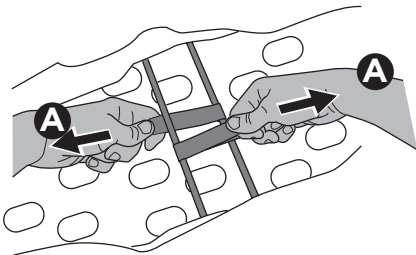
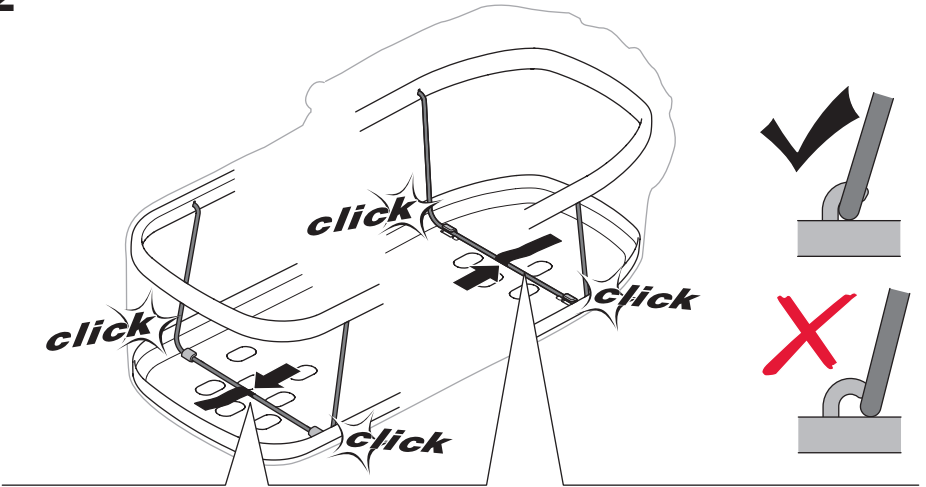




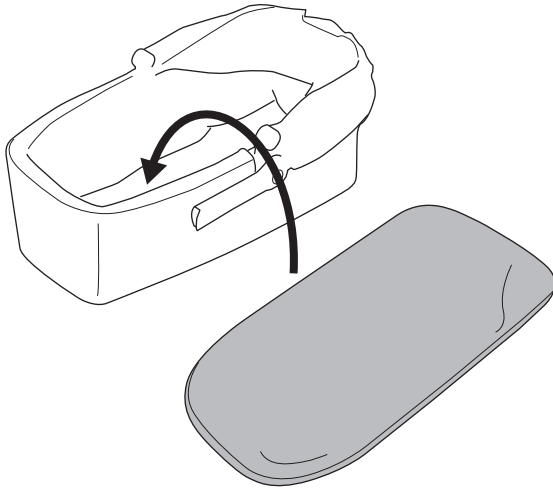
1



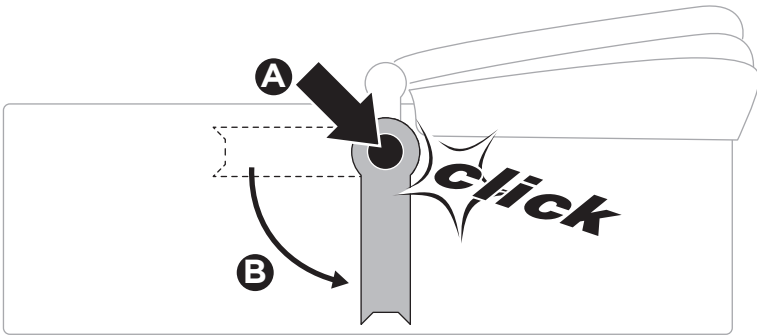
2



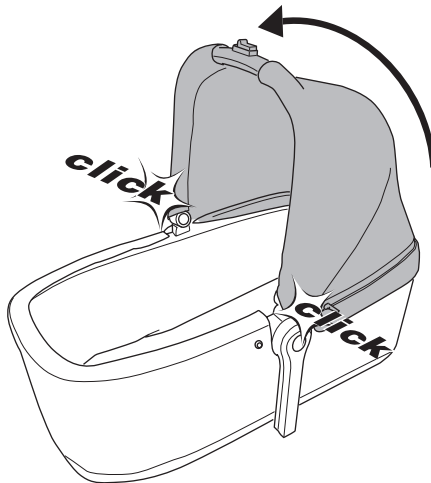
3



4

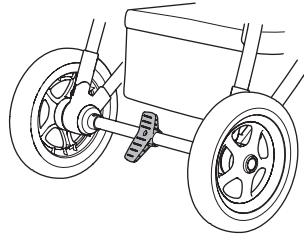
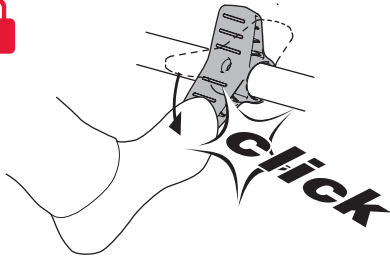


5

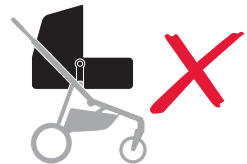
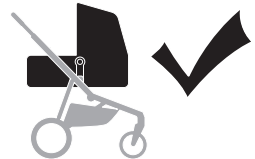
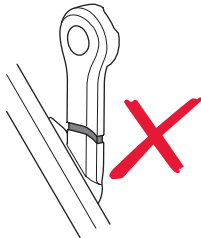
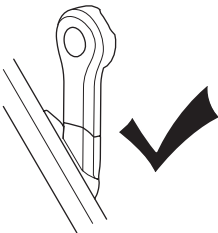
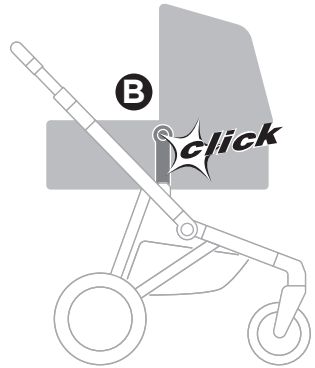
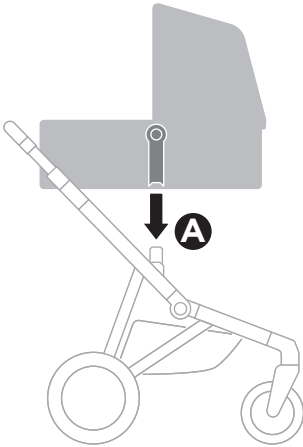




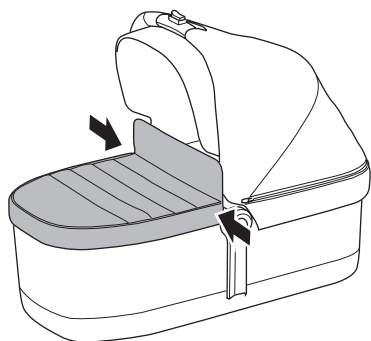
1



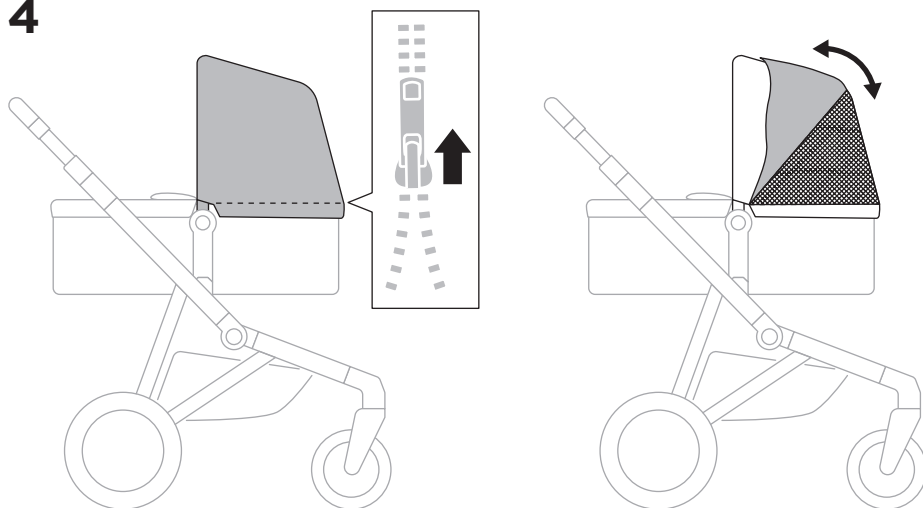
2



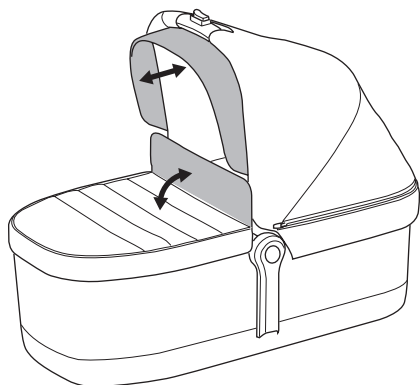
3



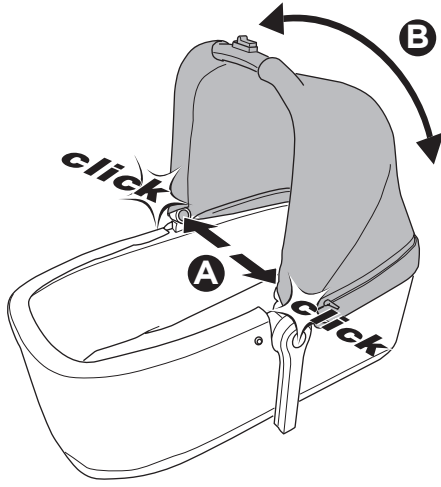
4



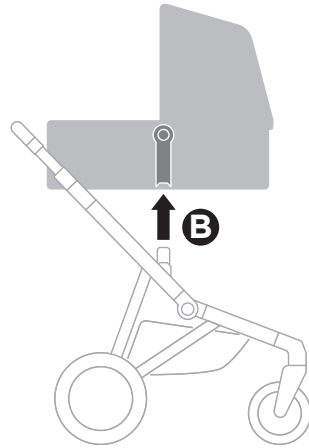
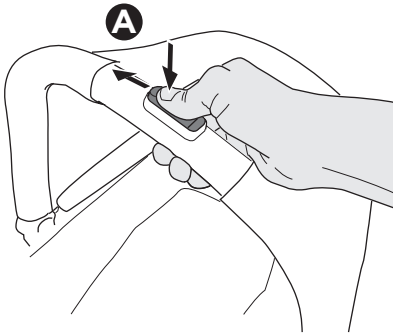
5



6

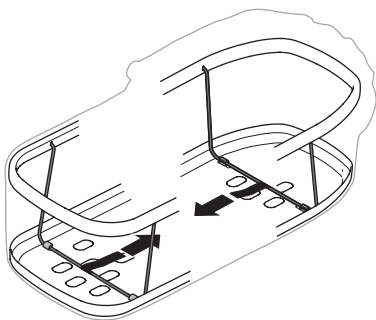
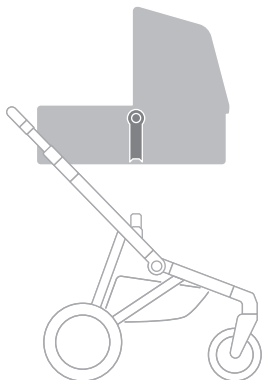


7

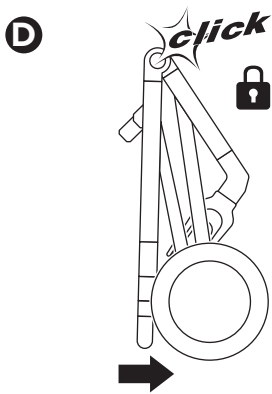
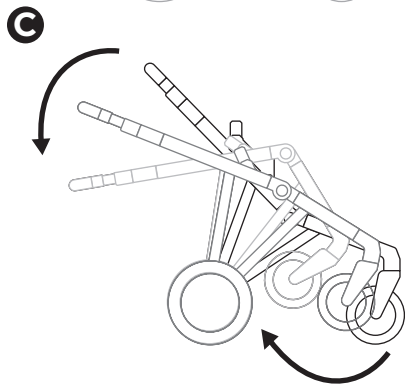
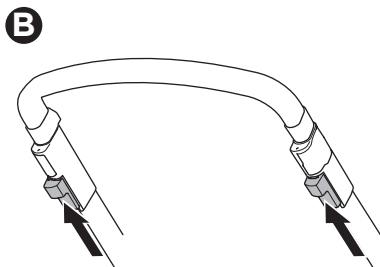
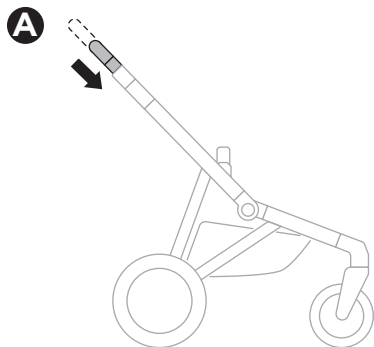




1

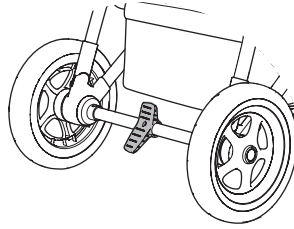
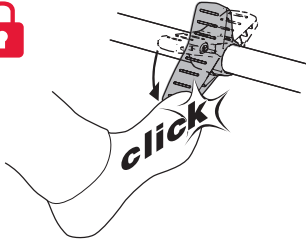


2

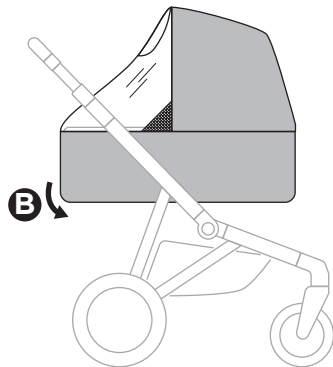
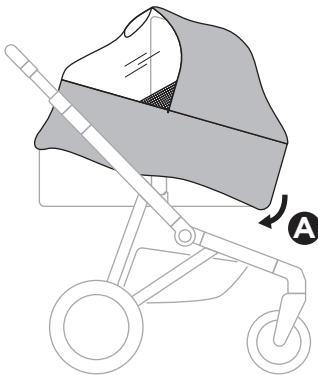
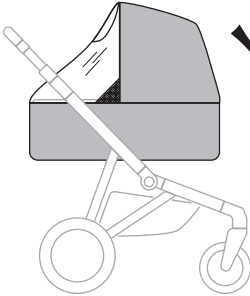




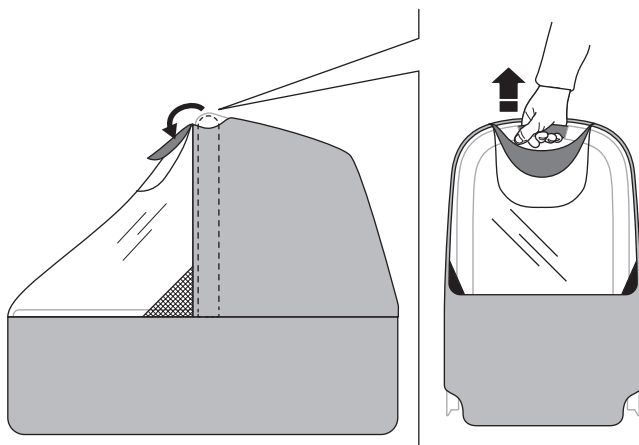
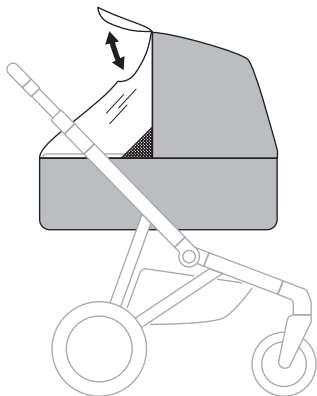
1



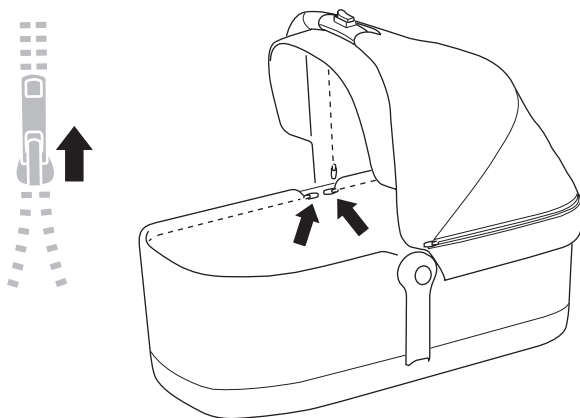
2

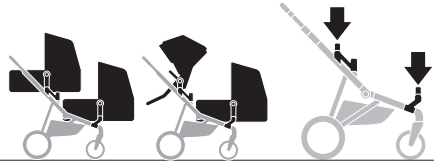


i

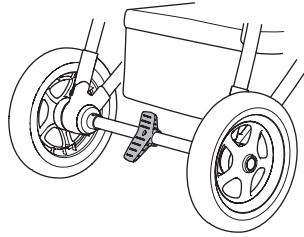
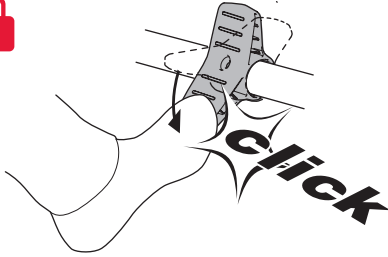


i

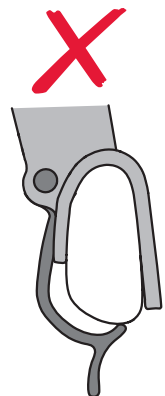
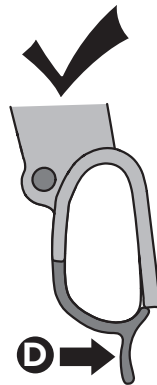
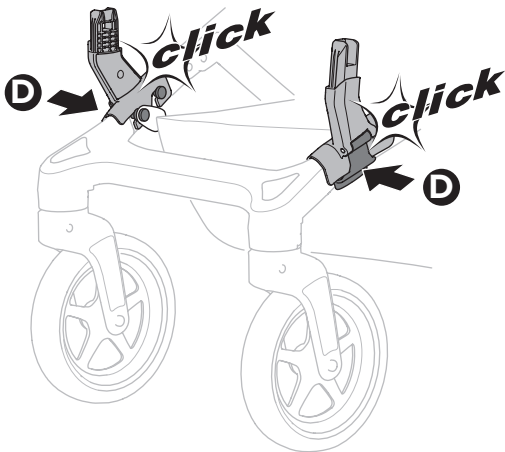
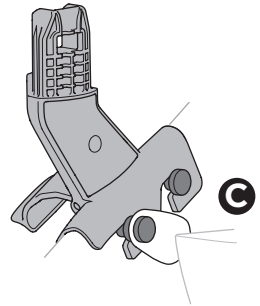
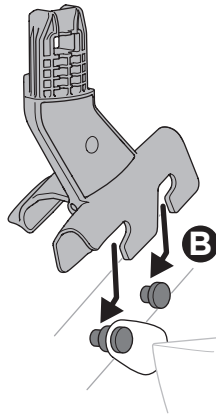
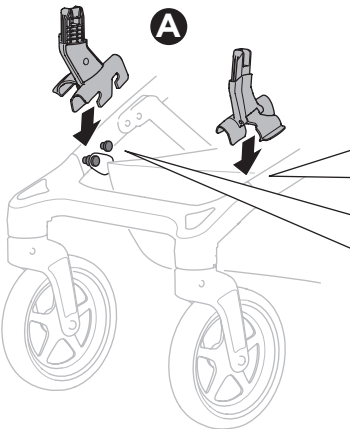




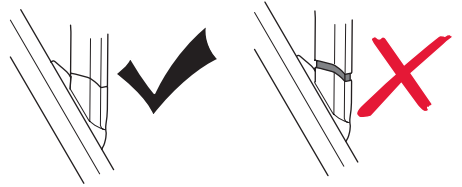
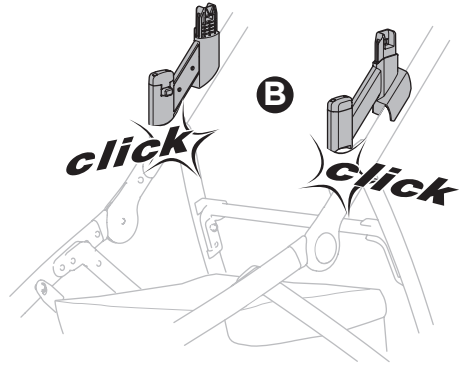
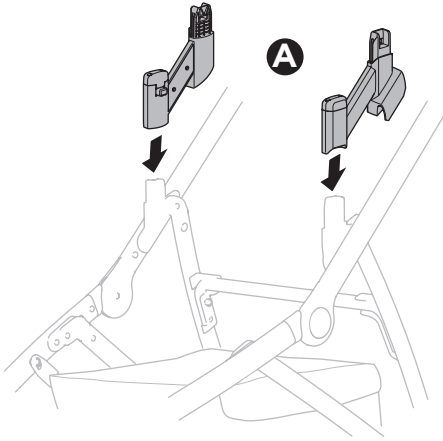
1



2



3



i

