

THULE
SWEDEN

Thule Pack 'n Pedal SmartPhone Mount 100087

➤ Instructions



100087

C.20161025

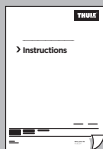
506-7193-00



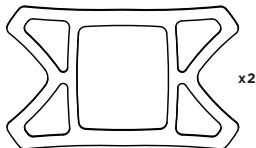
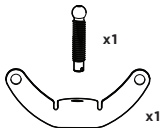
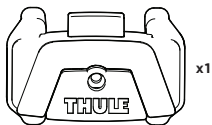
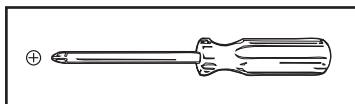
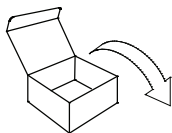
max
3 kg
6.6 lbs



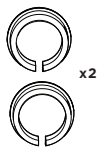
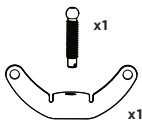
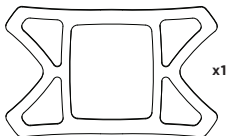
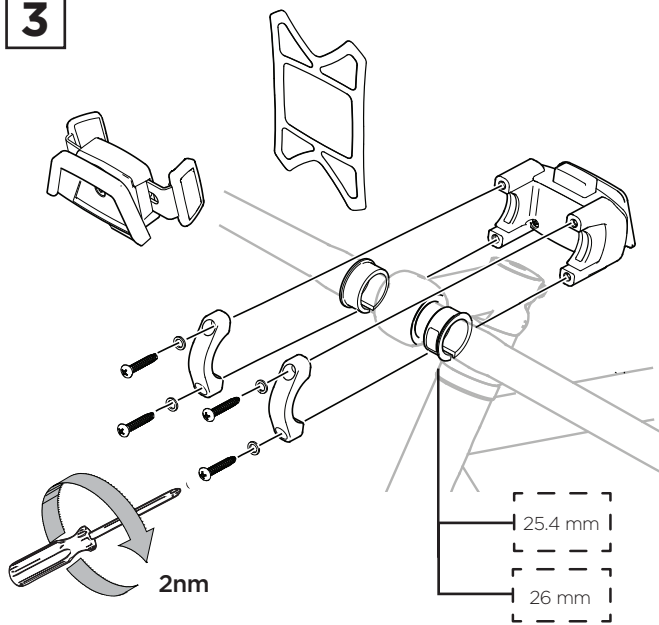
1



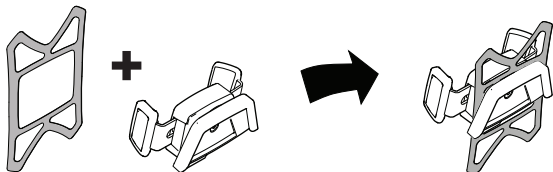
2



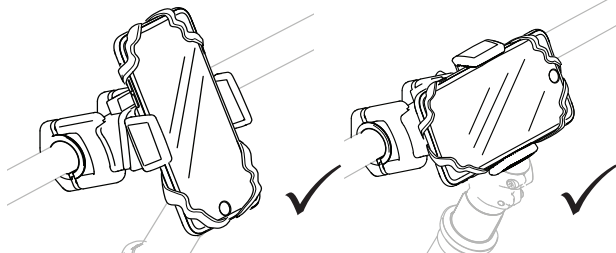
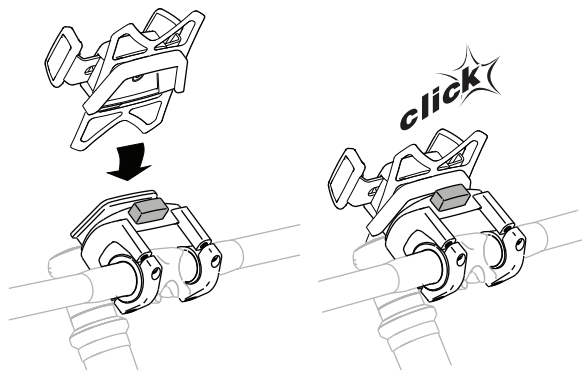
3

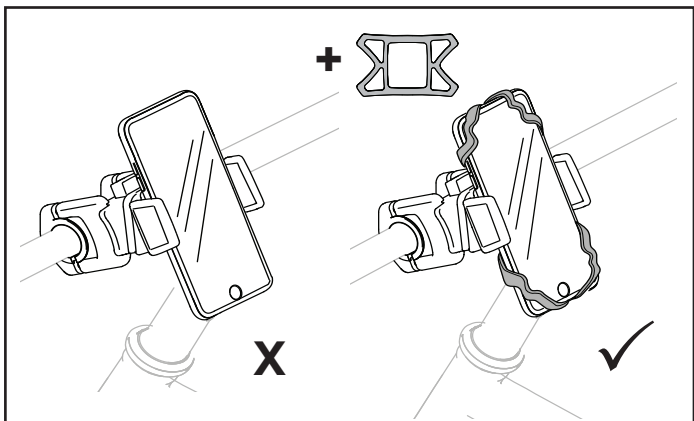
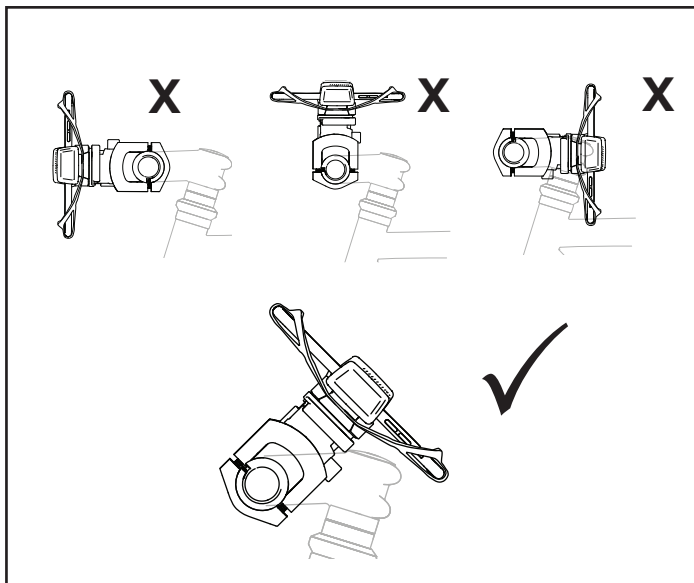


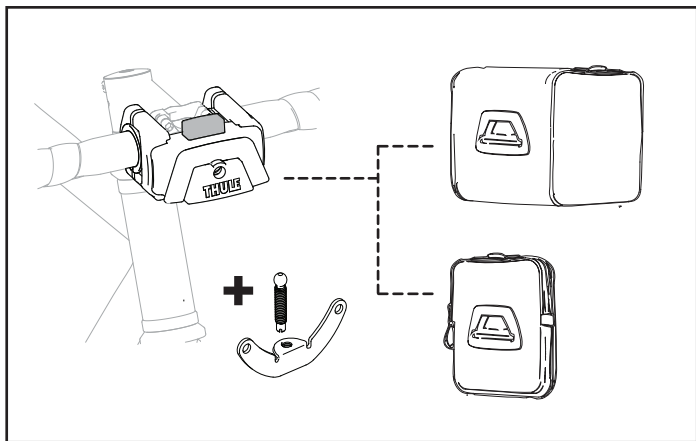
4



5







Discover other bikes & accessories on our website.