



*Exceeding Customers Expectations*

# **Marine OEM Catalog**



## Over 30 Years of Marine Experience

For the past 30 years Teak Isle has served our customers with one single principle in mind:

**“EXCEED CUSTOMERS EXPECTATIONS”**

Simply put, this means that Teak Isle will...

- Work actively with customers to design prototype parts
- Make customers aware of new, innovative materials and products
- Supply production parts on time
- Keep prices as competitive as possible by keeping our manufacturing methods lean and technologically advanced
- Provide helpful, friendly, and knowledgeable customer service
- Do everything in our power to provide our customers with what they need to keep their customers happy

**We understand the marine industry. We understand that production schedules change and prototypes are often needed at the last minute.**

---

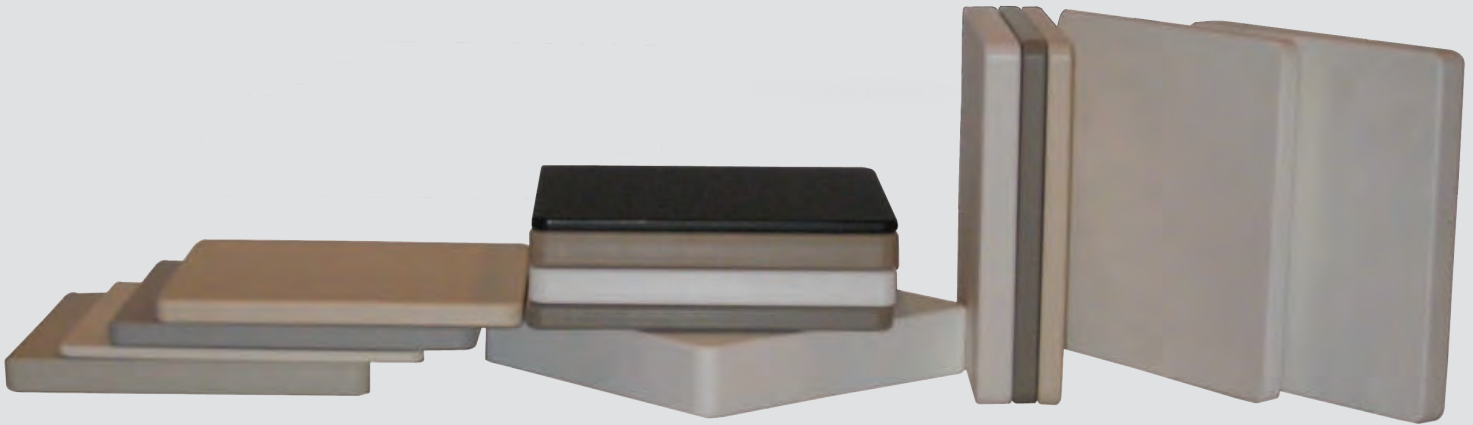
# Pictures from IBEX





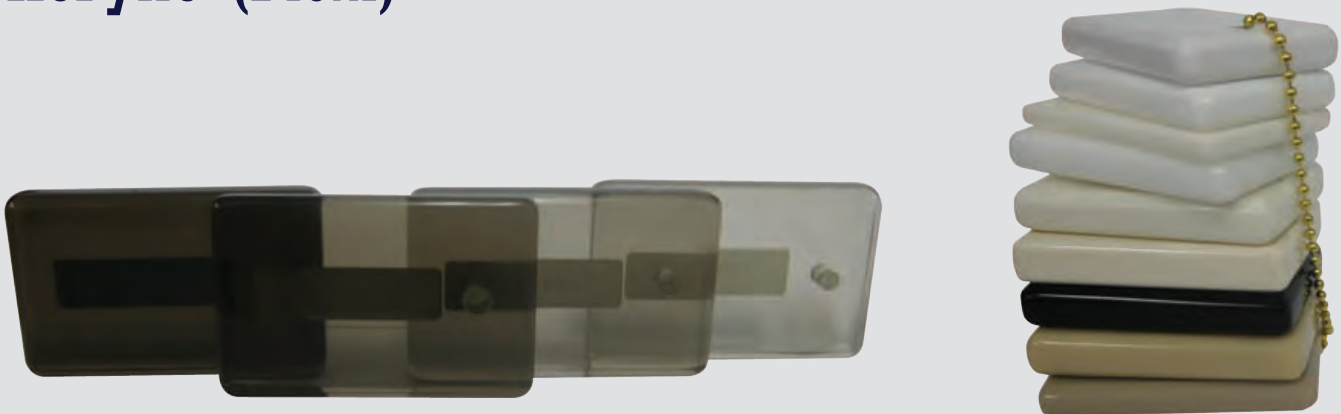
# Materials Used

## King Starboard (Poly, HDPE)



High density polyethylene (King Starboard) has revolutionized the design and manufacturing of marine accessory components. Starboard's durability in marine environments, ease of manufacturing, and lack of necessary maintenance make it a primary material substrate choice of boat builders worldwide. Teak Isle helped pioneer the use of Starboard in the manufacturing of marine products, and has become the largest consumer of King Starboard in the industry.

## Acrylic (Plexi)



Acrylic parts offer boat builders an attractive high gloss styling option which complements the gloss of their gel coat. Teak Isle's high impact modified acrylic provides superior impact strength and cost savings due to reduction of warranty claims.

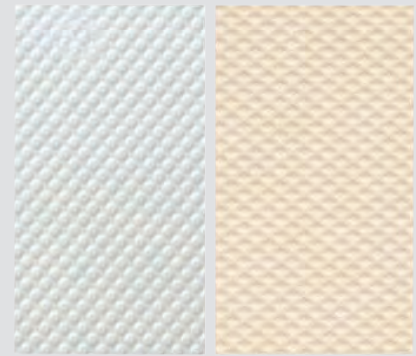
# Materials Used

## Other Materials

- Anti-Skid Starboard
- King ColorCore
- Proboard (Foam PVC)
- ABS
- King Starlite
- Polycarbonate (Lexan)
- UHMW
- Corian
- Karadon
- Sparalloy
- Treated Plywood
- Wood (Teak, Cherry, Jatoba, Sapele)



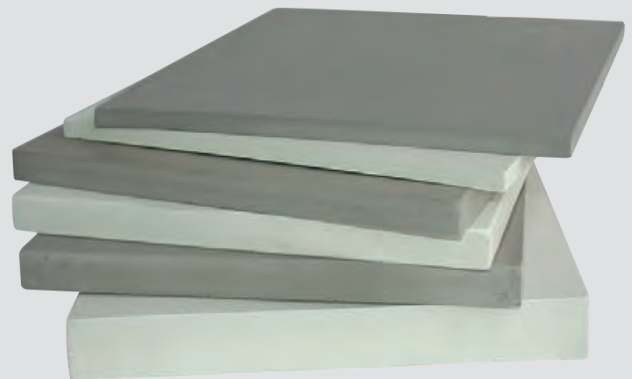
King ColorCore is available in a variety of color combinations and is ideal for signs and parts with engravings.



Anti-Skid Poly is available in dot or diamond pattern and is great for high traffic areas that require good traction.



King Starlite features the same attractive textured surface as Starboard with a foamed core for weight and cost savings.



Proboard (Foam PVC) offers a lightweight, heat formable upholstery substrate.

# Storage Access Doors



Powder Coated Aluminum Framed Acrylic Access Door with Hidden Fasteners



King Starboard (Poly) Access Doors and Tackle Storage Units



King Starboard (Poly) Anchor Locker Door with Vented Louvers



King Starboard (Poly) Wing Panel Door Custom Shaped to Maximize Usable Space

Teak Isle designs and manufactures custom access doors depending on our customer's style and function requirements. Available in acrylic or poly materials, access doors can be customized to any size and shape to help achieve the desired look and utilize available space as efficiently as possible. Doors can have either poly, acrylic, or powder coated aluminum frames with optional integrated seals. Teak Isle's design department offers boat builders the option to customize their doors to include storage boxes, tool holders, or any other feature that will increase usability and convenience.



Powder Coated Aluminum Framed Removable Drop-in Acrylic Door

# Bent Acrylic Parts

Teak Isle's bent acrylic plexi parts offer boat builders an attractive styling option by matching the shape of their doors and hatches to the boat's fiberglass contours. By utilizing impact modified acrylics we assure our customer's parts will stand up to the harsh marine environment. Teak Isle's design team assures the fit of bent acrylic components by custom prototyping parts to fit boat builder supplied splashes. Matching the boat's curvatures allows boatbuilders to eliminate the need for bulky looking frames and creates a flush finished look.



Bent Acrylic Wetbar Doors and Corian Countertop



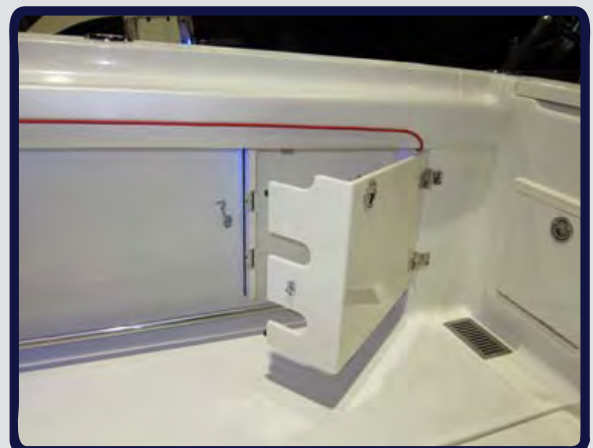
Bent Acrylic Wetbar Top



Bent Acrylic Deck Boat Head Entry Door



Bent Acrylic Doors with Corian Countertop Inserts



Bent Acrylic Rod Storage Cover



# Center Console Doors

Teak Isle designs and manufactures powder coated aluminum framed center console entry doors using CNC cut poly and acrylic substrates. With the ability to create custom sizes and shapes, our design team is able to maximize entry space while maintaining console style lines. We offer water resistant integrated seals, and optional vented louvers to allow air circulation. These doors can also be utilized in deck boats and dual console installations.



Acrylic Console Door with Powder Coated Aluminum Frame



King Starboard (Poly) Console Door with Powder Coated Aluminum Frame and Vented Louvers



King Starboard Console Door with Frosted Acrylic Window Panel and Vented Louvers



T-Slot Bulb Seal Slides Into Matching Slot in Frame



# Cabin Entry Doors

Teak Isle offers a wide variety of custom designed cabin entry door and hatch assemblies. Customers have the option of utilizing aluminum powder coated frames or integrating doors and hatches into molded recesses. With a variety of hardware alternatives and integrated seals, these doors provide a wide range of cabin entry options.



Aluminum Framed Acrylic Cabin Entry Door with Hatch (Closed View)



Aluminum Framed Acrylic Cabin Entry Door with Hatch (Open View)



Acrylic Hatch with Weather Resistant Seal



Powder Coated Aluminum Framed King Starboard (Poly) Doors with Acrylic Hatch Covers



Radius Corner Powder Coated Aluminum Frame with Acrylic Door and Bent Hatch

# Sliding Cabin Entry Doors

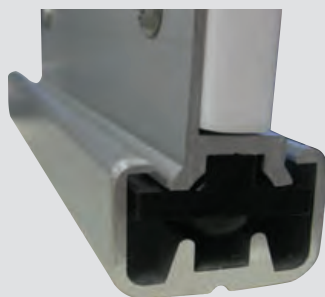


Bent Acrylic Sliding Cabin Entry Door



Aluminum Sliding Door Track

Teak Isle's custom sliding entry doors offer boat builders a stylish, space-efficient design that is easy to use as well as install. These doors utilize smooth sliding aluminum tracks with Delrin roller balls, which fit neatly into molded fiberglass recesses. Teak Isle's design team assures the fit of our bent sliding cabin entry doors by custom prototyping parts to fit boat builder supplied splashes. Teak Isle also advises builders on the required fiberglass tooling necessary for the accurate alignment of tracks and doors.



Aluminum Track with Delrin Roller Ball System



Sliding Cabin Entry Door with Stainless Handle & Flush Latch (Closed View)



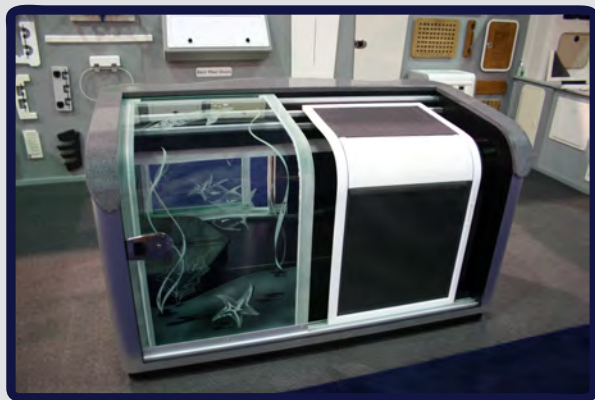
Sliding Cabin Entry Door with Stainless Handle & Flush Latch (Open View)



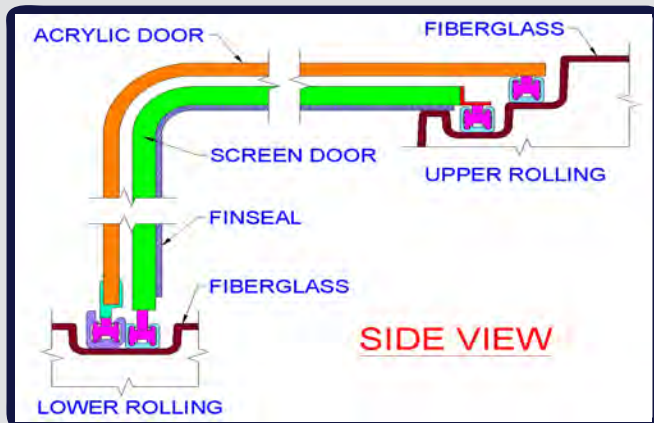
Slotted door carrier allows height adjustments of doors

# Teak Isle is now your source for the parts previously manufactured by Spartech Marine

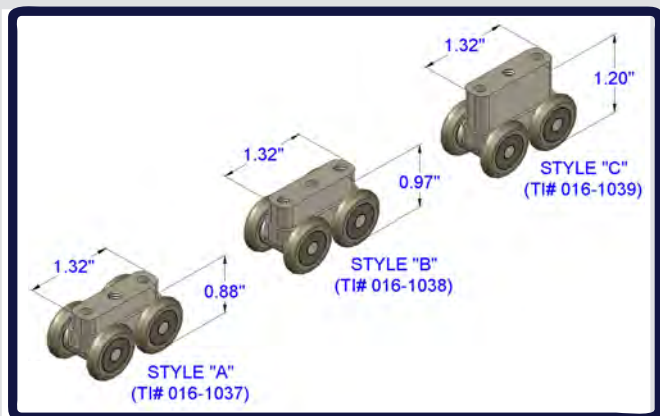
With the exit of Spartech Marine from the industry, Teak Isle acquired a variety of Spartech's product lines and bending ovens. With the tooling purchased from Spartech Marine, we are able to supply exact replacement parts for sliding door tracks and rolling wheel assemblies. Track assemblies are available in a variety of track colors and rolling wheel truck heights.



Engraved Acrylic Sliding Cabin Entry Door and Screen Door Display



Drawing of our Rolling Door and Screen Assemblies



Rolling Door Trucks Available in Various Heights



Sliding Cabin Entry Door Track Hardware Available in a Variety of Materials and Colors



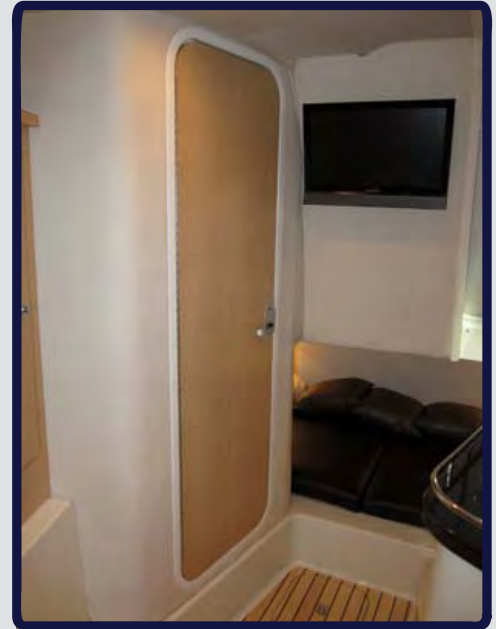
Teak Isle also now produces Spartech Marine Windscreens



Full Lower Rolling Door Track Assembly



# Shower and Head Doors



Teak Isle supplies a variety of custom built head entry doors. These doors include aluminum powder coated frames and are available with laminate or acrylic door panels. The doors can be supplied with additional mirrored panels to give your cabin or head a more spacious feel. All doors are custom built to customer specified sizes. Our in-house frame building allows us to quickly produce prototypes and respond to short lead time orders.



Teak Isle offers both flat panel and bent rotary acrylic doors. Rotary shower doors allow for efficient use of space while employing wheels with stainless steel bearings for years of smooth movement. These doors use a combination of flat and thermoformed panels to create your shower enclosure using a mixture of color matched white, clear, and green edge acrylic. This not only creates the feel of more space, but also gives a clean high end look at a very reasonable cost.

# Tackle Storage & Drawer Units

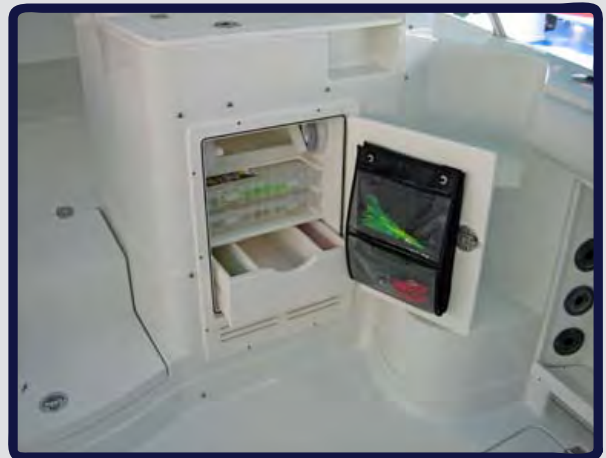
Efficiently integrating storage systems and tackle units into a limited space is often a challenge in boat design. Teak Isle's prototype team solves these challenges by custom designing parts that specifically fit into our customer's available space. Storage systems can be simple drawer units or elaborate tackle storage systems which utilize a variety of accessory items such as tackle bags, leader holders, lure tubes, and Plano tackle compartments.



Tackle Storage Drawer Unit with Tackle Bags, and Plano Tackle Boxes



Tackle Unit with Drawers, Rod Tubes, and Pliers Holder



Tackle Storage Unit with Tackle Boxes and Lure Bags



Dock Tackle Storage Unit with 3 Drawers, 4 Tackle Boxes, 4 Rod Holders, Pliers and Lure Holders



Side Compartment Tackle Storage Unit

# King Starboard Parts



King Starboard (Poly) Transom Door with Magnetic Latch



Load and Lock Rod Holders and Rod Holder Tube Assembly



Double Open Out Wind Break Door with Flag Latch



King Starboard (Poly) Dive Platform with Double Step Telescoping Ladder



King Starboard (Poly) Anti-Skid Ladder Lid



King Starboard (Poly) Tilt-out Remote Steering Control



# King Starboard Parts



Battery Switch Electronics Panel Door with Poly Frame



King ColorCore Poly Exterior Signage



Bent Acrylic Point of Purchase Display



Starboard (Poly) Baitwell Lid Assembly and Sink Cover Combo with Acrylic Baitwell Lid



King Starboard (Poly) Summer Kitchen with Corian Countertop

# Wood Products



Jatoba Steps with Maple Inserts



Jatoba Step with Maple Inserts  
(Shown Left)



Teak Folding Table with Inset Corian Drink Holders



Teak Shower Grate



Teak Louvered Cabin Entry Door with Powder Coated Frame



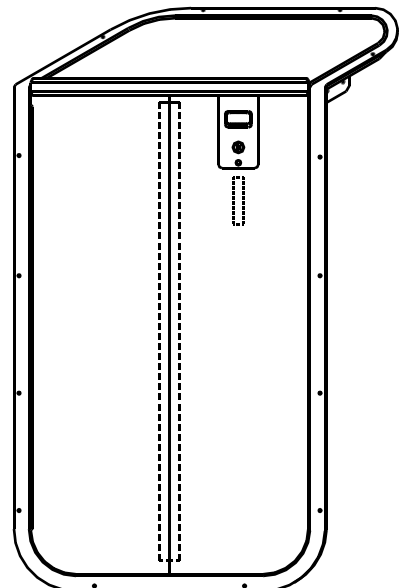
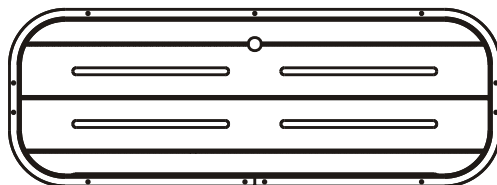
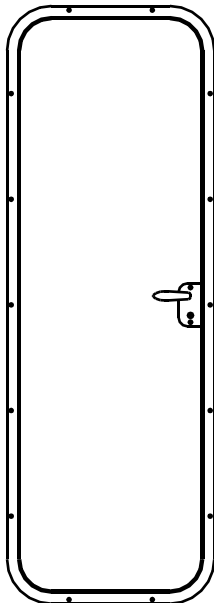
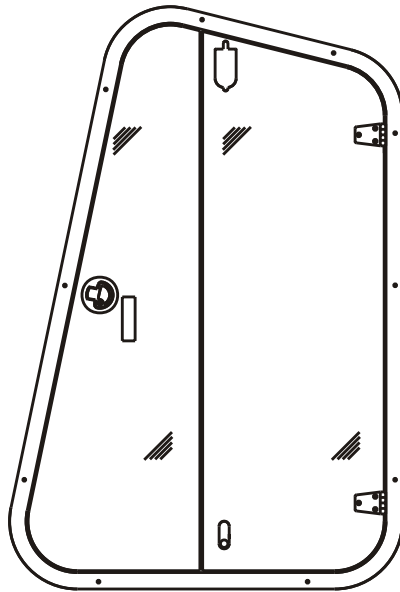
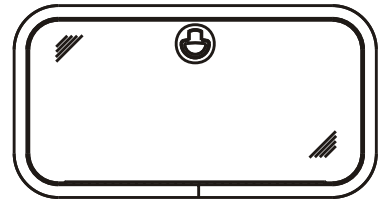
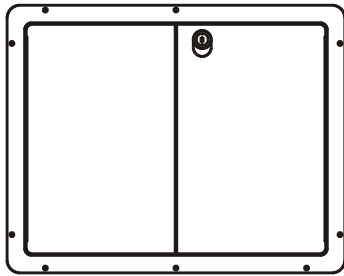
Louvered Access Door with Powder Coated Aluminum Frame



*Teak Isle Mfg., Inc.*

## SAMPLE PRINTS

The following are prints showing the basic style and construction of many of our more standard parts. They are designed to give you a better idea of how our parts would work in your boats. Ordering a custom part is now as easy as filling in the dimension blanks and faxing or E-mailing it to us. Please keep in mind that while these are standards, we can help you with any further customizing you may need.



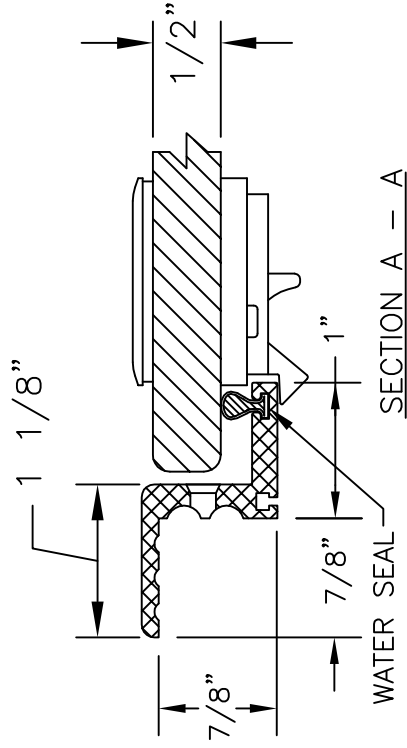
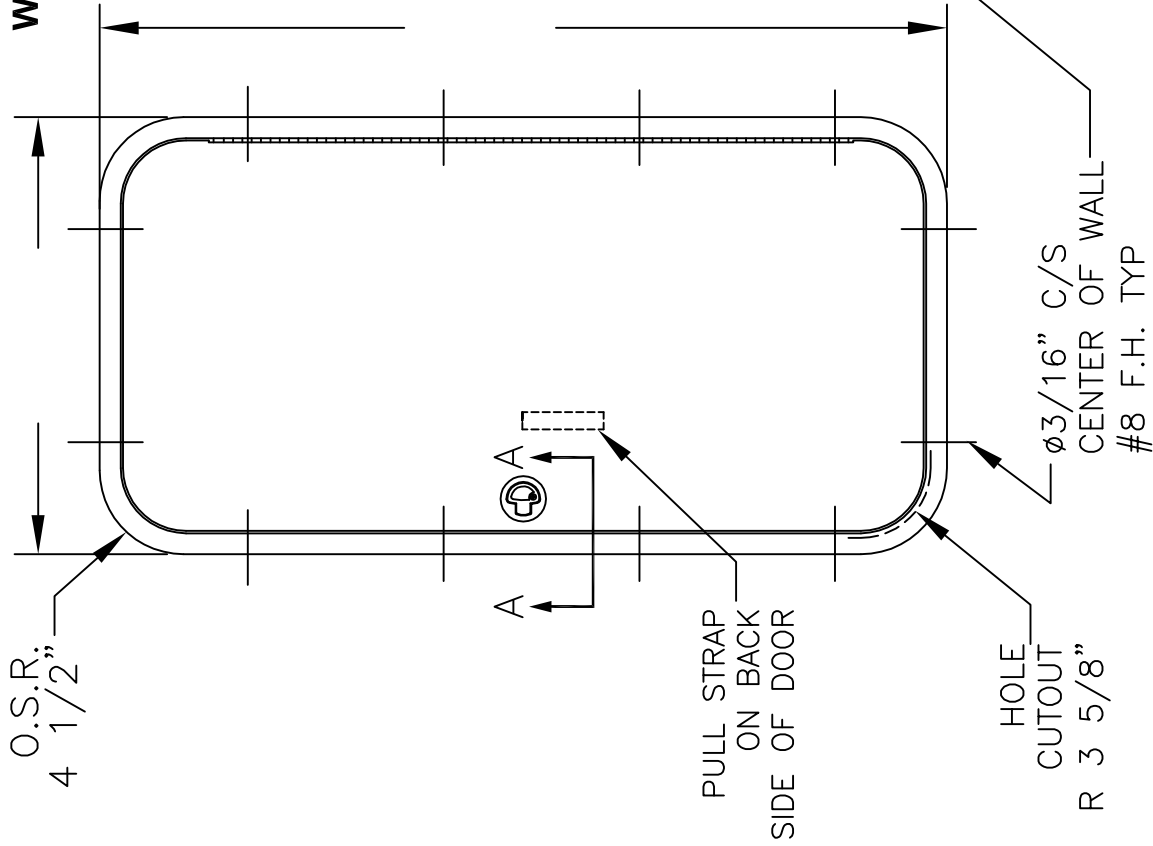


# CENTER CONSOLE DOOR, FOUR SIDED

POWDER COATED ALUMINUM FRAME

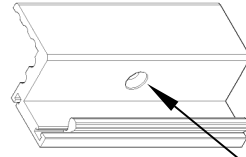
EXTRUSION #2062

WITH INTERIOR MOUNTING HOLES  
WITH FLUSH PULL LATCH




NOTES: 1. DIMENSIONS ARE OUTSIDE MEASUREMENTS (CUTOUT DIMENSIONS CAN BE DETERMINED BY REDUCING OUTSIDE DIMENSIONS BY 1 3/4")

2. BENT ALUMINUM POWDER COATED FRAME WITH SLIDE IN WATER SEAL
3. DOOR OPTIONS: PLEXIGLASS OR STARBOARD
4. STAINLESS STEEL PIANO HINGE
5. LOCKING FLUSH LATCH IN STAINLESS STEEL OR PLASTIC
6. LOUVERS CAN BE ADDED FOR VENTILATION

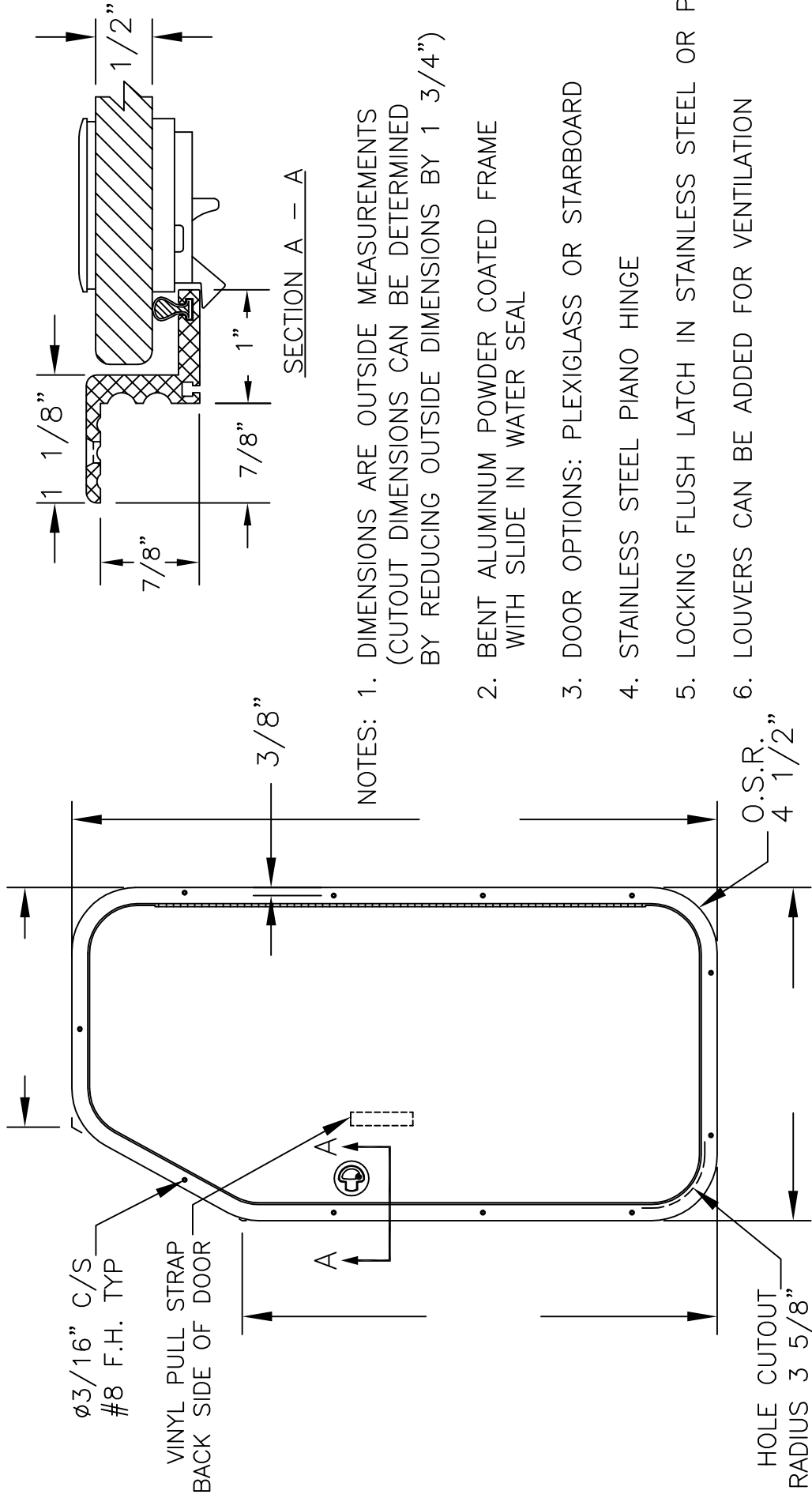


INTERIOR MOUNTING HOLE DETAIL

COMPANY NAME:		MODEL:	
TITLE: CENTER CONSOLE DOOR, FOUR SIDED W/ FLUSH PULL LATCH		DRAWN BY: Randy Beckwith	
PART#: SAMPLE 48		TOLERANCES: ±1/32"	
		DATE: 11/2010	
		SCALE: NTS	
		CAD/CAM #: *	
 Peak Isle, Mfg		SHEET 1 OF 1	
		SIZE DWG. A	


# CENTER CONSOLE DOOR, FIVE SIDED

POWDER COATED ALUMINUM FRAME  
 EXTRUSION #2062  
 WITH FLUSH PULL LATCH



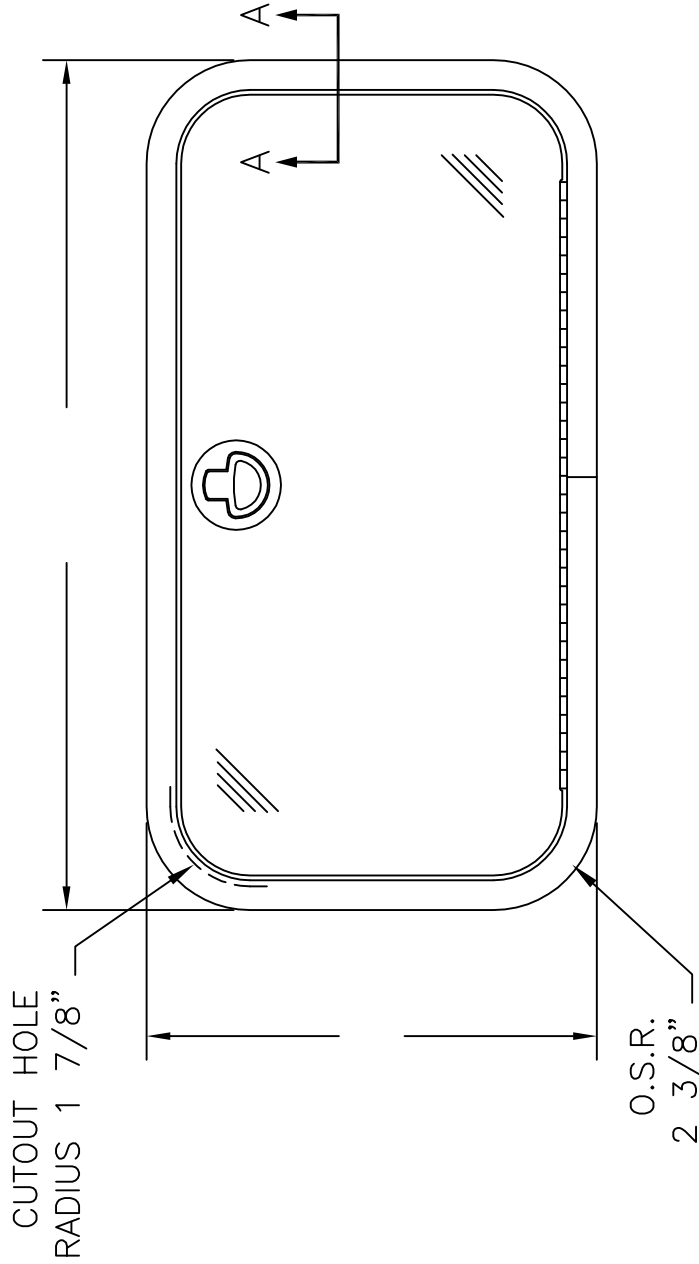
NOTES: 1. DIMENSIONS ARE OUTSIDE MEASUREMENTS  
 (CUTOUT DIMENSIONS CAN BE DETERMINED  
 BY REDUCING OUTSIDE DIMENSIONS BY 1 3/4")

2. BENT ALUMINUM POWDER COATED FRAME WITH SLIDE IN WATER SEAL
3. DOOR OPTIONS: PLEXIGLASS OR STARBOARD
4. STAINLESS STEEL PIANO HINGE
5. LOCKING FLUSH LATCH IN STAINLESS STEEL OR PLASTIC
6. LOUVERS CAN BE ADDED FOR VENTILATION

 <b>Teak Isle, Mfg</b>		COMPANY NAME: *	MODEL: *
TITLE: CENTER CONSOLE DOOR, FIVE SIDED W/ FLUSH PULL LATCH		DRAWN BY: <i>Randy Beckwith</i> TOLERANCES: ±1/32"	SHEET 1 OF 1 SIZE DWG: A
PART#: SAMPLE 23		DATE: 1/2007	SCALE: NTS
		CAD/CAM #: *	

# ACCESS DOOR

POWDER COATED ALUMINUM FRAME  
EXTRUSION #1064  
WITH FLUSH PULL LATCH



- NOTES:
1. BENT ALUMINUM POWDER COATED FRAME WITH PUSH IN WATER SEAL
  2. DOOR OPTIONS: PLEXIGLASS OR STARBOARD
  3. STAINLESS STEEL PIANO HINGE
  4. HANDLE: SOUTHCO FLUSH LATCH LOCKING OR NON-LOCKING STAINLESS STEEL OR PLASTIC
  5. MOUNTING HOLES: LOCATED THROUGH INSIDE WALL OF FRAME FOR HIDDEN FASTENER MOUNTING

NOTES: DIMENSIONS ARE OUTSIDE MEASUREMENTS (CUTOUT DIMENSIONS CAN BE DETERMINED BY REDUCING OUTSIDE DIMENSIONS BY 1")



COMPANY NAME:		MODEL:	
TITLE: ACCESS DOOR ALUMINUM FRAME WITH FLUSH PULL LATCH		*	
DRAWN BY: Randy Beckwith		SHEET 1 OF 1	
TOLERANCES: ±1/32"		SIZE DWG. A	
DATE: 1/2007		SCALE: NTS	
PART#: SAMPLE 10		CAD/CAM #: *	

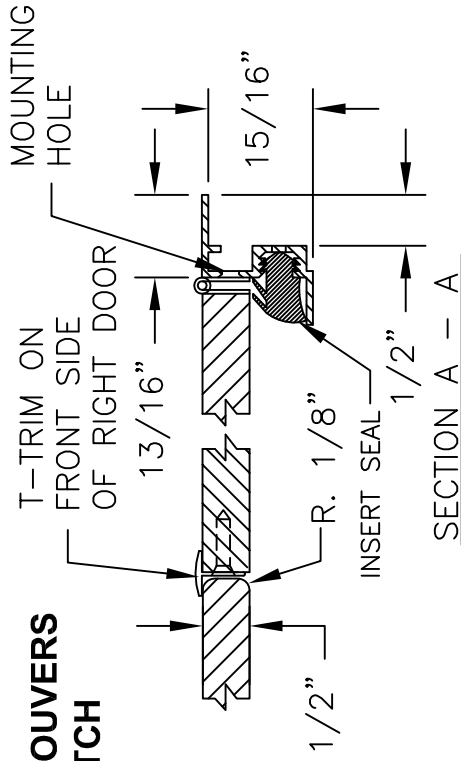
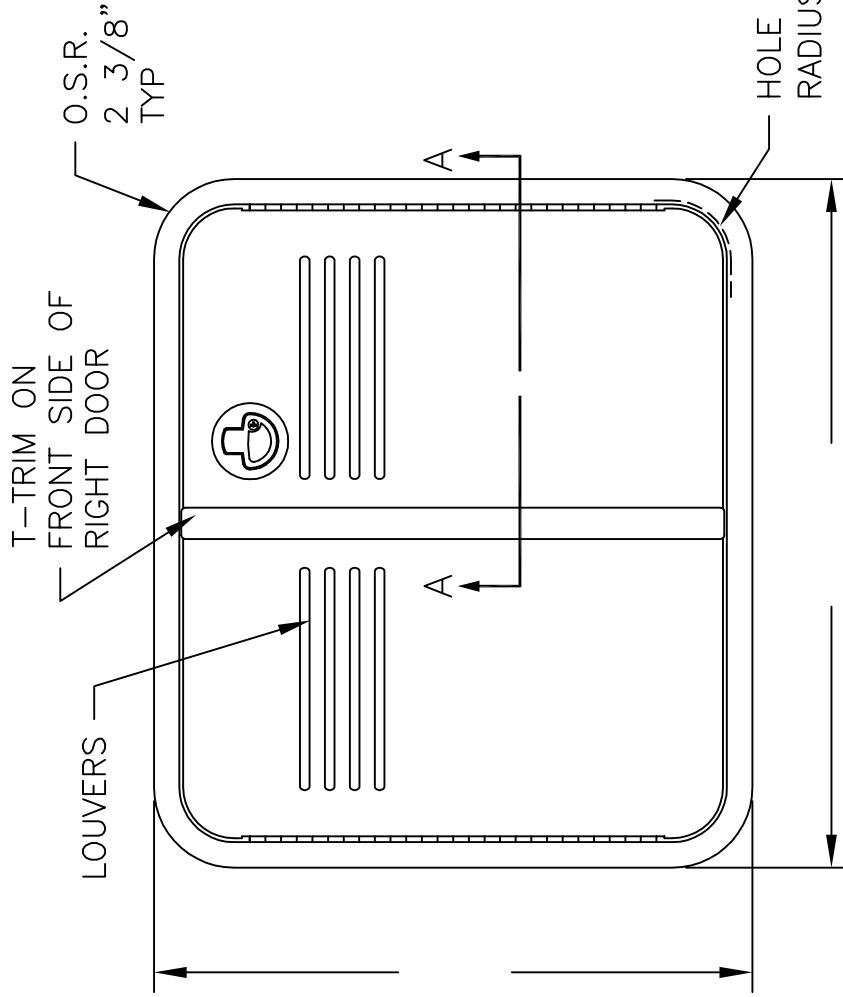


# ACCESS DOOR DOUBLE OPEN OUT

ALUMINUM POWDER COATED FRAME  
EXTRUSION #1064

STARBOARD DOOR WITH LOUVERS

WITH FLUSH PULL LATCH



- NOTES: 1. DIMENSIONS ARE OUTSIDE MEASUREMENTS (CUTOUT DIMENSIONS CAN BE DETERMINED BY REDUCING OUTSIDE DIMENSIONS BY 1")
2. BENT ALUMINUM POWDER COATED FRAME WITH PUSH IN WATER SEAL
  3. STARBOARD DOOR
  4. STAINLESS STEEL PIANO HINGE
  5. FLUSH PULL LATCH LOCKING OR NON-LOCKING IN STAINLESS STEEL OR PLASTIC
  6. MOUNTING HOLES LOCATED THROUGH INSIDE WALL OF FRAME FOR HIDDEN FASTENER MOUNTING



COMPANY NAME:

MODEL:

TITLE: ACCESS DOOR  
DOUBLE OPEN  
W/ FLUSH PULL LATCH

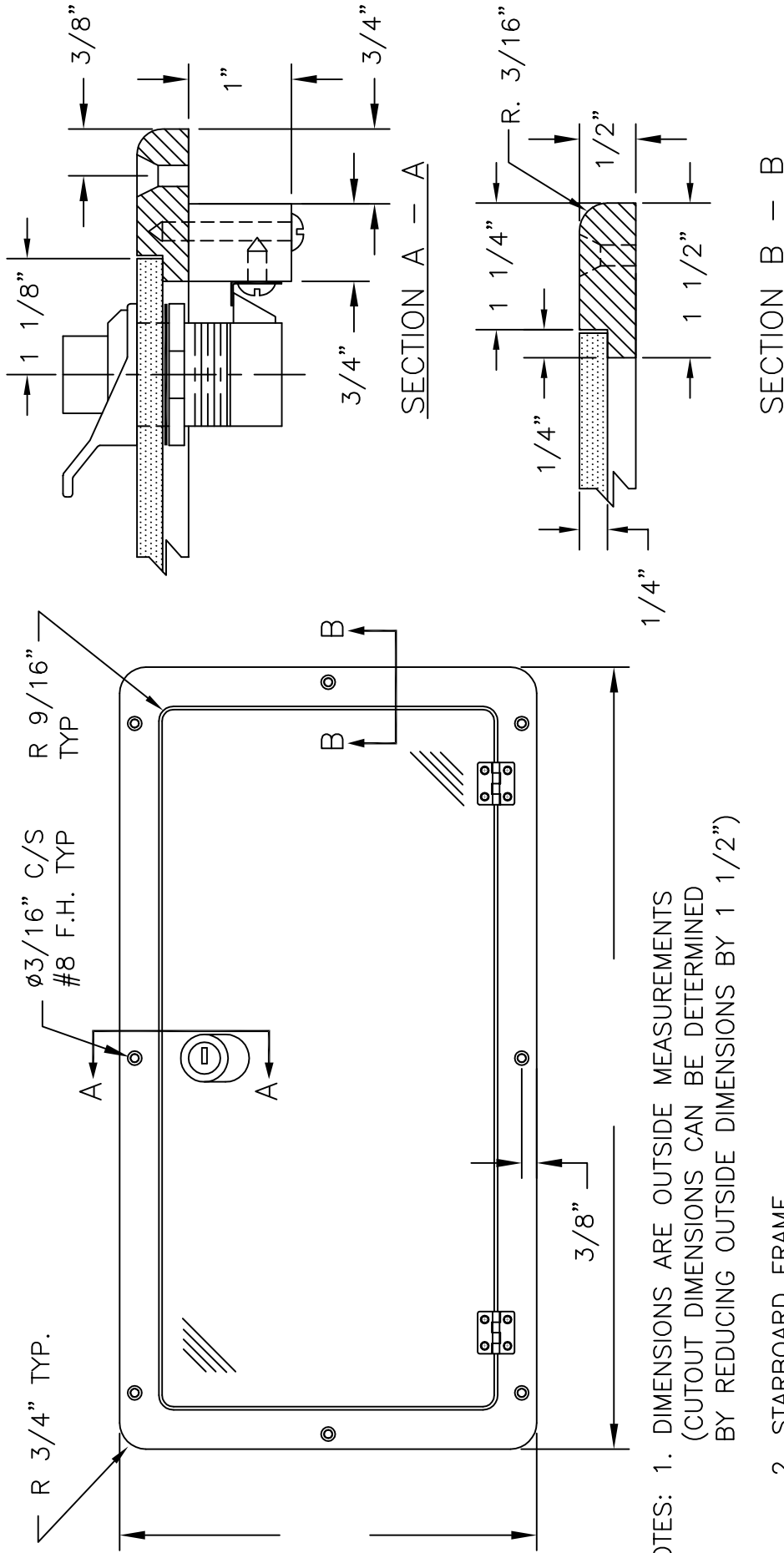
DRAWN BY: *Randy Beckwith* SHEET 1 OF 1  
TOLERANCES: ±1/32" SIZE DWG. A  
DATE: 1/2007 SCALE: NTS

PART#: SAMPLE 26

CAD/CAM #:

# ACCESS DOOR

## STARBOARD FRAME/PLEXIGLASS DOOR WITH PUSH BUTTON LATCH



NOTES: 1. DIMENSIONS ARE OUTSIDE MEASUREMENTS  
(CUTOUT DIMENSIONS CAN BE DETERMINED  
BY REDUCING OUTSIDE DIMENSIONS BY 1 1/2")

2. STARBOARD FRAME

3. PLEXIGLASS DOOR

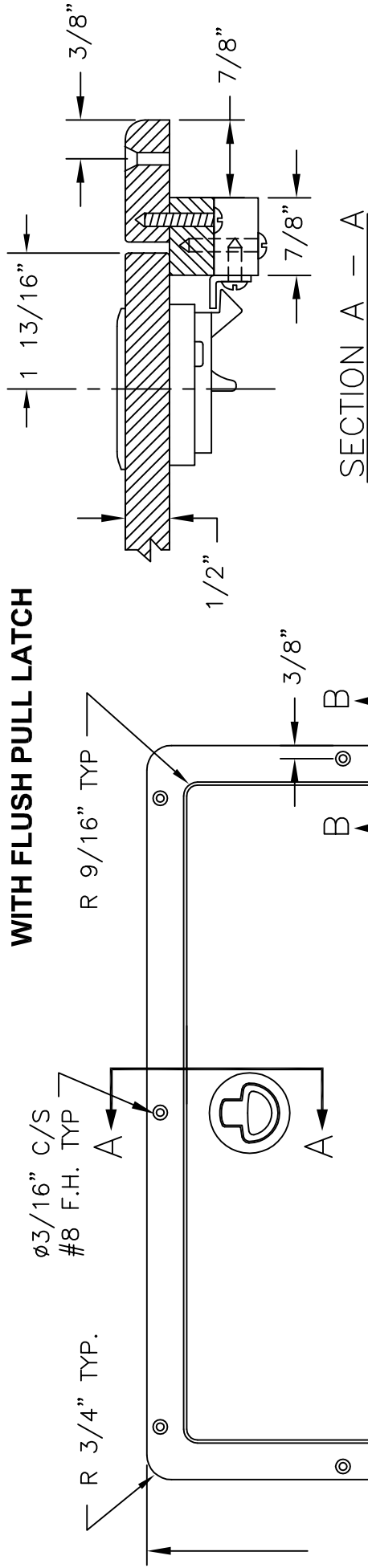
4. STAINLESS STEEL BUTT HINGES

5. PUSH BUTTON LOCKING LATCH SHOWN  
LATCH OPTIONS INCLUDE LOCKING OR  
NON-LOCKING FLUSH PULL LATCH  
IN STAINLESS STEEL OR PLASTIC

 Teak Isle, Mfg.		COMPANY NAME:	MODEL:
		TITLE: ACCESS DOOR W/ PUSH BUTTON LATCH	*
DRAWN BY: <i>Bandy Beckwith</i>		SHEET 1 OF 1	SIZE DWG. A
TOLERANCES: ±1/32"		DATE: 1/2007	SCALE: NTS
PART#: SAMPLE 8		CAD/CAM #:	*

# ACCESS DOOR

## STARBOARD FRAME/ STARBOARD DOOR WITH FLUSH PULL LATCH



SECTION A - A

SECTION B - B

STAINLESS STEEL PIANO HINGE

NOTES: 1. DIMENSIONS ARE OUTSIDE MEASUREMENTS  
(CUTOUT DIMENSIONS CAN BE DETERMINED  
BY REDUCING OUTSIDE DIMENSIONS BY 1 3/4")

2. STARBOARD DOOR & FRAME
3. STAINLESS STEEL PIANO HINGE
4. FLUSH PULL LATCH  
LOCKING OR NON-LOCKING IN  
STAINLESS STEEL OR PLASTIC

COMPANY NAME:		MODEL:	
TITLE: ACCESS DOOR W/ FLUSH PULL LATCH		* DRAWN BY: <i>Bandy Beckwith</i> SHEET 1 OF 1	
PART #: SAMPLE 29		TOLERANCES: ±1/32" SIZE DWG. A	
		DATE: 1/2007 SCALE: NTS	
		CAD/CAM #: *	

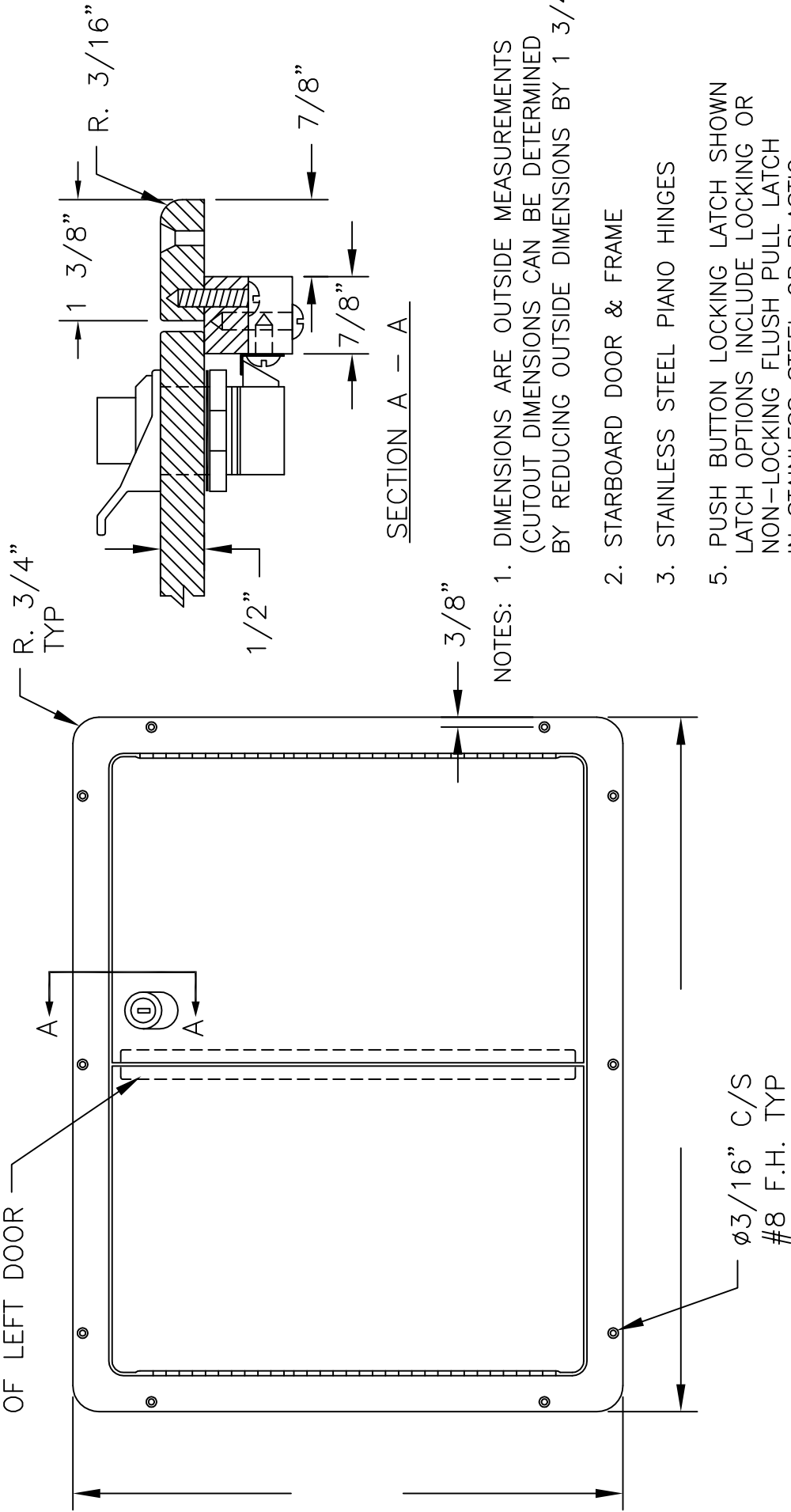




# ACCESS DOOR DOUBLE OPEN OUT


## STARBOARD FRAME/ STARBOARD DOOR WITH PUSH BUTTON LATCH

BATTEN MOUNTED ON BACK OF LEFT DOOR



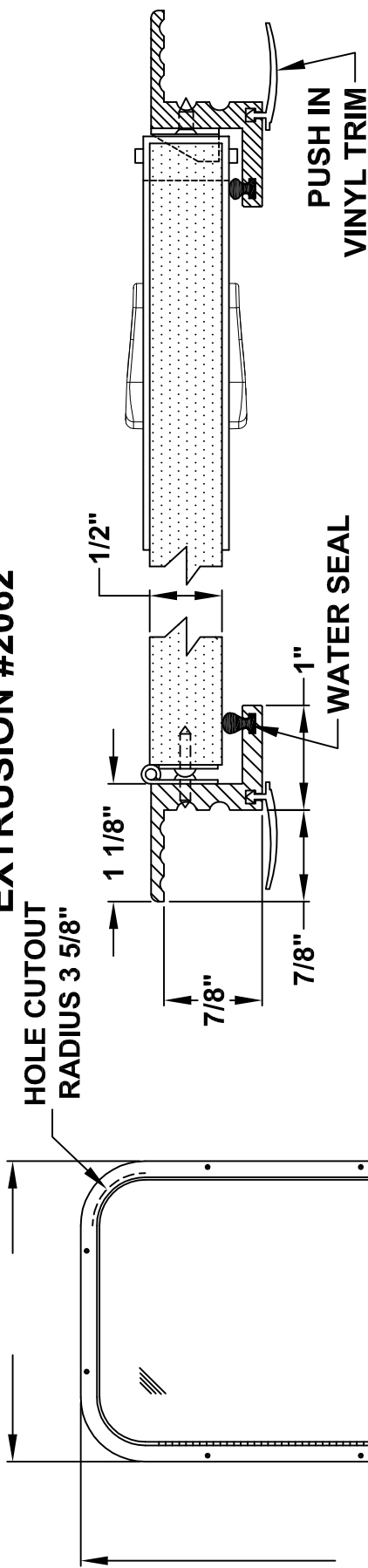
NOTES: 1. DIMENSIONS ARE OUTSIDE MEASUREMENTS (CUTOUT DIMENSIONS CAN BE DETERMINED BY REDUCING OUTSIDE DIMENSIONS BY 1 3/4")

2. STARBOARD DOOR & FRAME
3. STAINLESS STEEL PIANO HINGES
5. PUSH BUTTON LOCKING LATCH SHOWN LATCH OPTIONS INCLUDE LOCKING OR NON-LOCKING FLUSH PULL LATCH IN STAINLESS STEEL OR PLASTIC

 <p>Teak Isle, Mfg.</p>	COMPANY NAME:		MODEL:
			*
TITLE: <b>DOUBLE ACCESS DOOR W/ PUSH BUTTON LATCH</b>		DRAWN BY: <i>Randy Beckwith</i>	SHEET 1 OF 1
		TOLERANCES: ±1/32"	SIZE DWG. A
		DATE: 1/2007	SCALE: NTS
PART#: SAMPLE 25		CAD/CAM #: *	

# HEAD ENTRY DOOR

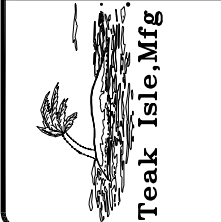
PLEXIGLASS WITH FLUSH OMNI LATCH  
POWDER COATED ALUMINUM FRAME  
EXTRUSION #2062



## SECTION A - A

NOTES: 1. DIMENSIONS ARE OUTSIDE MEASUREMENTS  
(CUTOUT DIMENSIONS CAN BE DETERMINED  
BY REDUCING OUTSIDE DIMENSIONS BY 1 3/4")

2. PLEXIGLASS DOOR
3. STAINLESS STEEL PIANO HINGE
4. MOBELLA #MR-02-120-24 PRIVACY LATCH SHOWN  
OTHER OPTIONS AVAILABLE
5. PLEASE SPECIFY WHICH SIDE THE DOOR HINGES ON
6. LOUVERS CAN BE ADDED FOR VENTILATION

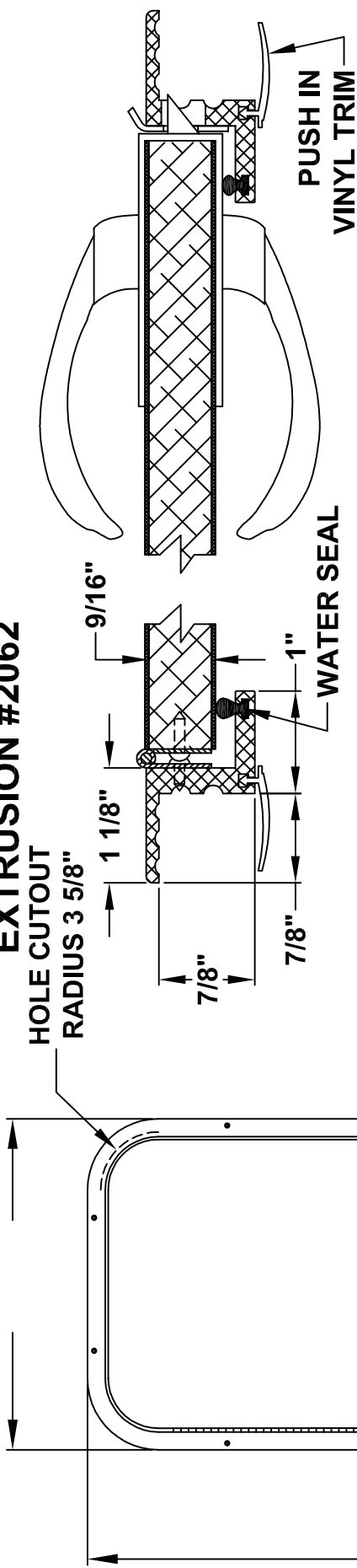


COMPANY NAME:		MODEL:	
TITLE: <b>HEAD DOOR</b>		DRAWN BY: RANDY BECKWITH	SHEET 1 OF 1
PART #: <b>SAMPLE 46</b>		TOLERANCES: ±1/32"	SIZE DWG. A
		DATE: 1/2007	SCALE: NTS
		CAD/CAM #:	

# HEAD ENTRY DOOR

LAMINATE COVERED PLYWOOD  
POWDER COATED ALUMINUM FRAME

EXTRUSION #2062

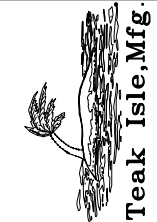


## SECTION A - A

NOTES: 1. DIMENSIONS ARE OUTSIDE MEASUREMENTS  
(CUTOUT DIMENSIONS CAN BE DETERMINED  
BY REDUCING OUTSIDE DIMENSIONS BY 1 3/4")

2. MICA LAMINATED PLYWOOD, DOOR (SPECIFY COLOR)
3. STAINLESS STEEL PIANO HINGE
4. PERKO #711-002-LOC PERKO PRIVACY LATCH SHOWN  
OTHER OPTIONS AVAILABLE
5. PLEASE SPECIFY WHICH SIDE THE DOOR HINGES ON
6. VENTS CAN BE ADDED FOR AIR CIRCULATION

Ø3/16" C/S  
#8 F.H. TYP



COMPANY NAME:

MODEL:

TITLE:  
HEAD DOOR

DRAWN BY: RANDY BECKWITH

SHEET 1 OF 1

TOLERANCES: ±1/32" SIZE DWG. A

DATE: 1/2007 SCALE: NTS

PART#: SAMPLE 45 CAD/CAM #:

3/8"  
O.S.R.  
4 1/2"

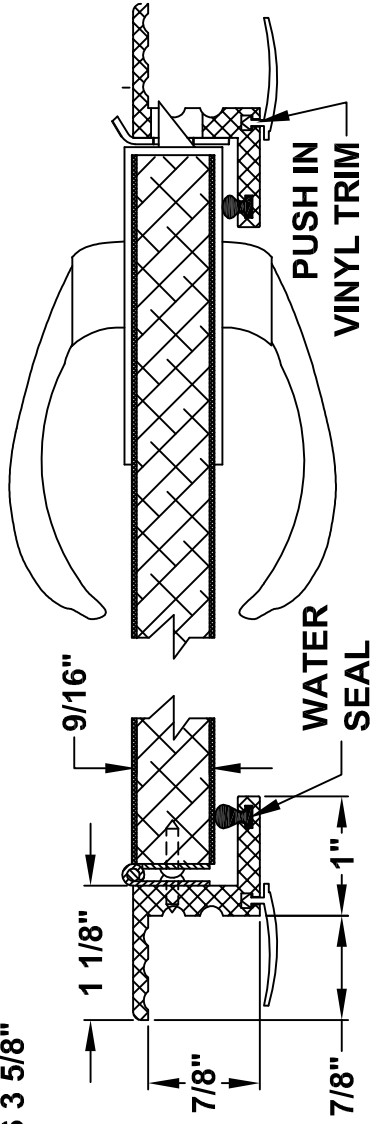


# HEAD ENTRY DOOR W/ RADIUS TOP

LAMINATE COVERED PLYWOOD  
POWDER COATED ALUMINUM FRAME  
WITH INTERIOR MOUNTING HOLES

Frame Radius  
27 1/8"

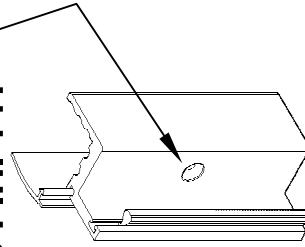
HOLE CUTOUT  
RADIUS 3 5/8"



## SECTION A - A


- NOTES: 1. DIMENSIONS ARE OUTSIDE MEASUREMENTS (CUTOUT DIMENSIONS CAN BE DETERMINED BY REDUCING OUTSIDE DIMENSIONS BY 1 3/4")
- MICA LAMINATED PLYWOOD, DOOR (SPECIFY COLOR)
  - STAINLESS STEEL PIANO HINGE
  - PERKO #711-002-LOC PERKO PRIVACY LATCH SHOWN OTHER OPTIONS AVAILABLE
  - PLEASE SPECIFY WHICH SIDE THE DOOR HINGES ON
  - VENTS CAN BE ADDED FOR AIR CIRCULATION

Ø3/16" C/S  
#8 F.H. TYP



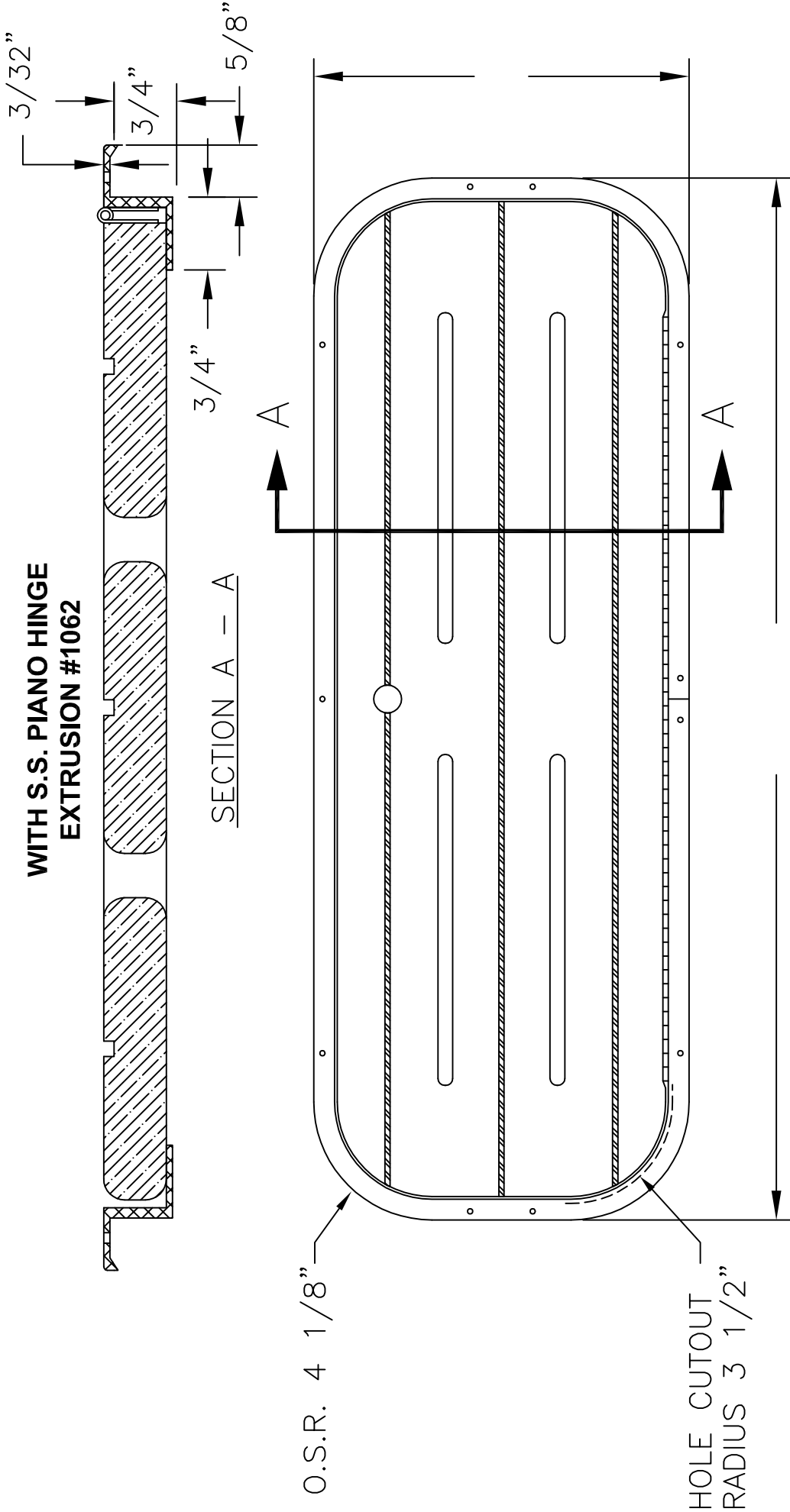
INTERIOR MOUNTING  
HOLE DETAIL

O.S.R.  
4 1/2"

 Teak Isle, Mfg.	COMPANY NAME:	MODEL:
	TITLE: <b>HEAD DOOR W/ RADIUS</b>	DRAWN BY: RANDY BECKWITH
PART#: <b>SAMPLE 47</b>	TOLERANCES: ±1/32"	SIZE DWG. A
	DATE: 11/2010	SCALE: NTS
	CAD/CAM #:	

# FLOOR STORAGE LID

WITH S.S. PIANO HINGE  
EXTRUSION #1062



O.S.R. 4 1/8"

HOLE CUTOUT  
RADIUS 3 1/2"

NOTES: 1. DIMENSIONS ARE OUTSIDE MEASUREMENTS  
(CUTOUT DIMENSIONS CAN BE DETERMINED  
BY REDUCING OUTSIDE DIMENSIONS BY 1 1/4")

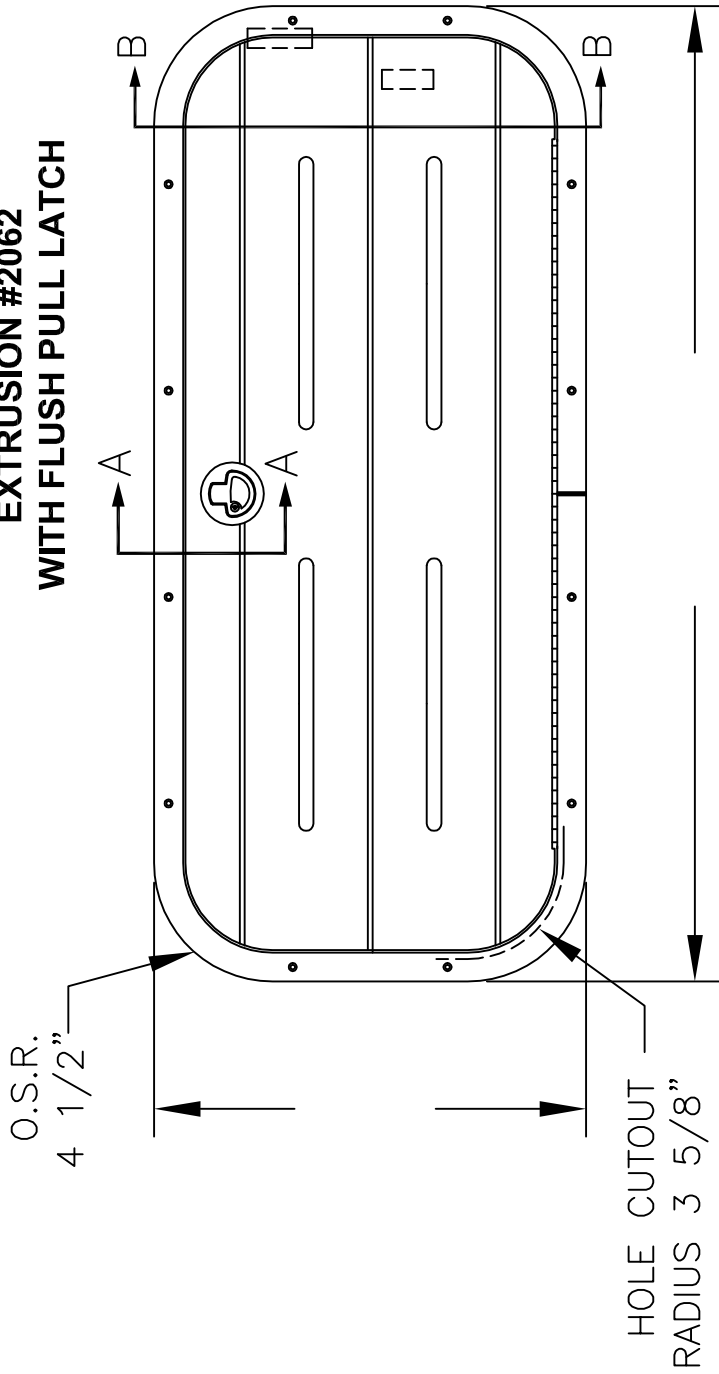
- 2. STARBOARD LID
- 3. ALUMINUM ANODIZED RING
- 4. STAINLESS STEEL PIANO HINGE

COMPANY NAME:		MODEL:	
TITLE: STARBOARD FLOOR STORAGE LID, WITH HINGE		DRAWN BY: <i>Randy Beckwith</i> SHEET 1 OF 1	
PART#: SAMPLE 21		TOLERANCES: ±1/32"	
		DATE: 1/2007	
		SCALE: NTS	
		CAD/CAM #: *	



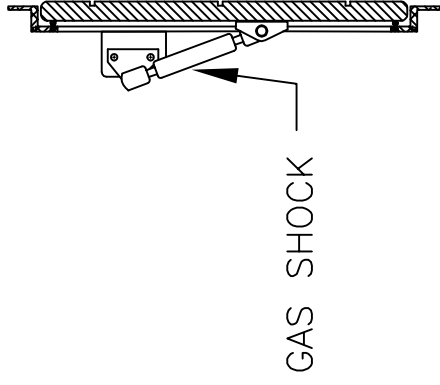
# FLOOR STORAGE LID

POWDER COATED ALUMINUM FRAME  
EXTRUSION #2062  
WITH FLUSH PULL LATCH

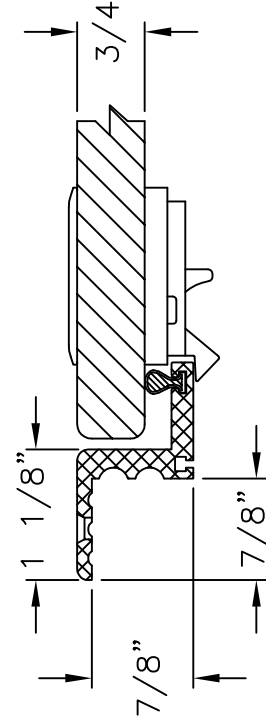


NOTES: 1. DIMENSIONS ARE OUTSIDE MEASUREMENTS  
(CUTOUT DIMENSIONS CAN BE DETERMINED  
BY REDUCING OUTSIDE DIMENSIONS BY 1 3/4")

2. STARBOARD LID
3. ALUMINUM POWDER COATED RING
4. STAINLESS STEEL PIANO HINGE
5. LOCKING FLUSH PULL LATCH IN  
STAINLESS STEEL OR PLASTIC
6. PLEASE SPECIFY OPENING ANGLE  
FOR GAS SHOCK PLACEMENT



SECTION B - B



SECTION A - A

COMPANY NAME:

MODEL:



DRAWN BY: *Bandy Beckwith*

SHEET 1 OF 1

TITLE: FLOOR STORAGE LID  
WITH GAS SHOCK & HINGE  
WITH FLUSH PULL LATCH

TOLERANCES: ±1/32"

DATE: 1/2007

CAD/CAM #: \*

PART#: SAMPLE 44

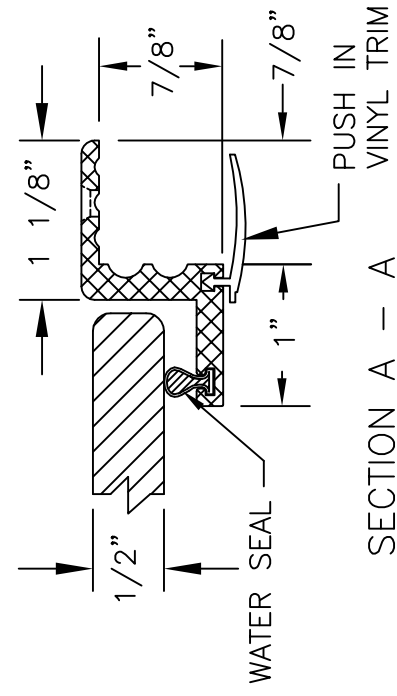
SIZE DWG. A

SCALE: NTS

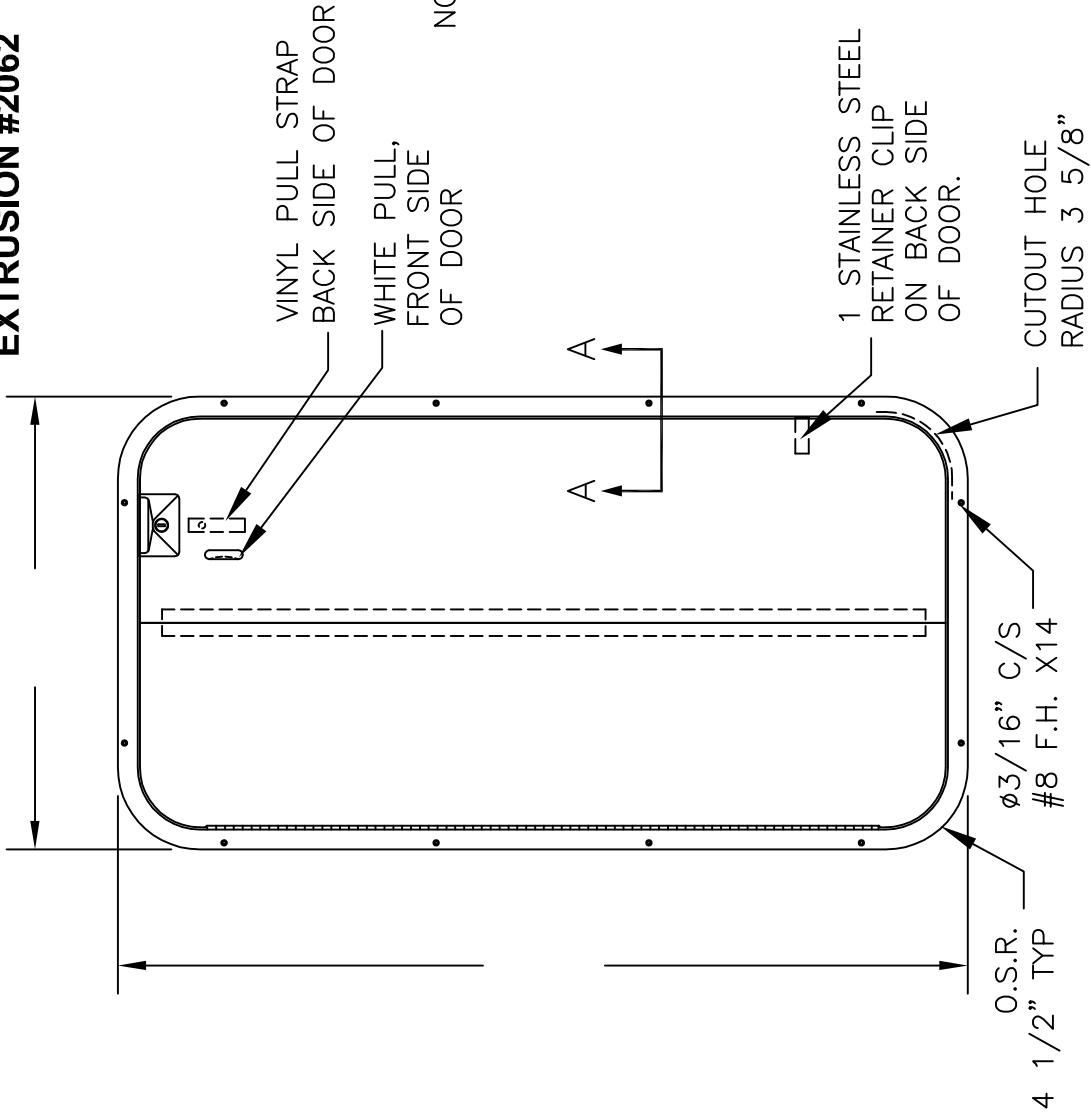


# BIFOLD CABIN ENTRY DOOR

## POWDER COATED ALUMINUM FRAME EXTRUSION #2062



SECTION A - A



NOTES: 1. BENT ALUMINUM POWDER COATED FRAME WITH SLIDE IN WATER SEAL

2. DOOR OPTIONS: PLEXIGLASS OR STARBOARD

3. STAINLESS STEEL PIANO HINGE

4. BLACK VINYL STRAP, BACK SIDE OF DOOR

5. MOBELLA SECURE, LATCH

6. #100-3084 WHITE PULL NP405-022

7. VINYL INTERIOR TRIM SUPPLIED

8. PLEASE SPECIFY WHICH SIDE THE DOORS HINGE ON

NOTES: DIMENSIONS ARE OUTSIDE MEASUREMENTS (CUTOUT DIMENSIONS CAN BE DETERMINED BY REDUCING OUTSIDE DIMENSIONS BY 1 3/4")

COMPANY NAME:

MODEL:



DRAWN BY: *Bandy Beckwith* SHEET 1 OF 1

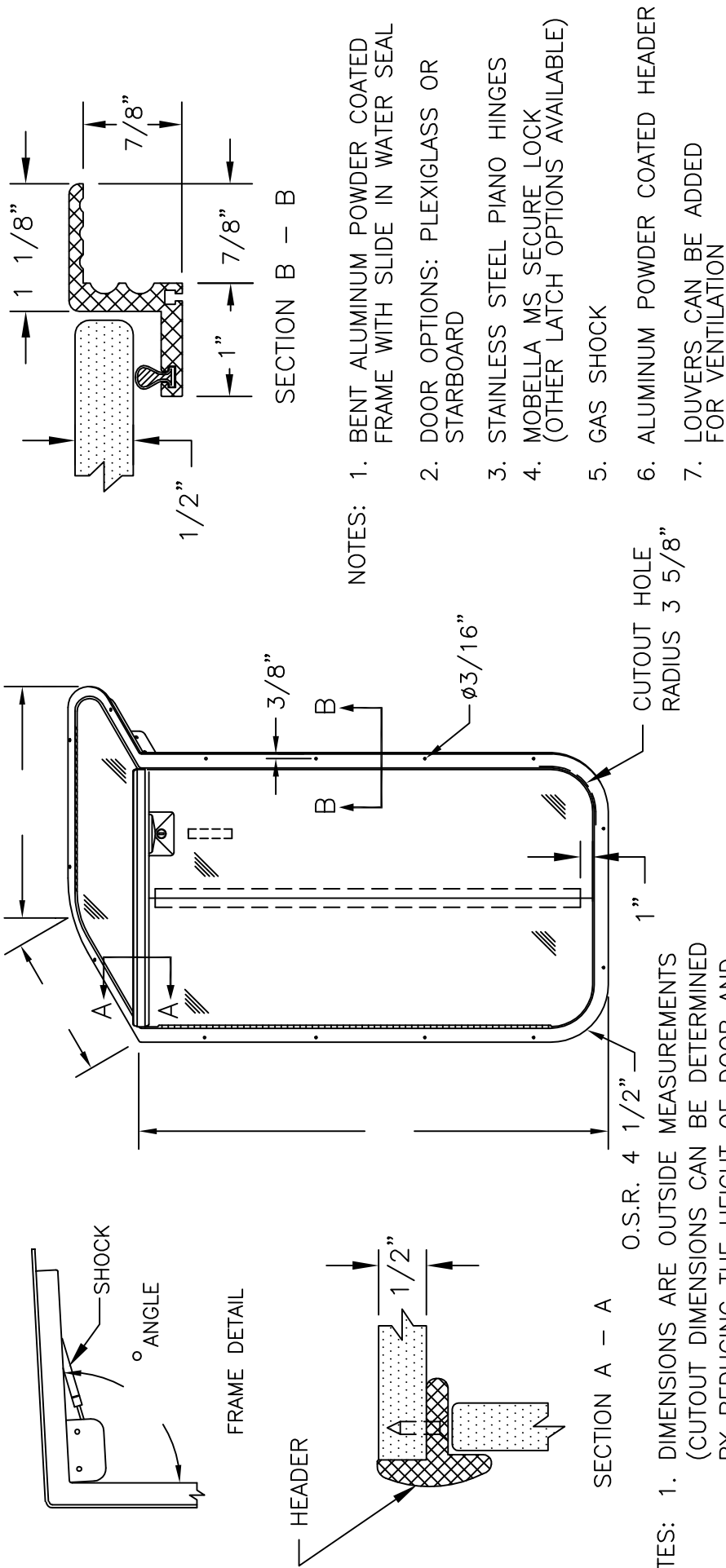
TOLERANCES: ±1/32" SIZE DWG. A

DATE: 1/2007 SCALE: NTS

CAD/CAM #: \* PART#: SAMPLE 14


# CABIN DOOR WITH HATCH

POWDER COATED ALUMINUM FRAME  
EXTRUSION #2062



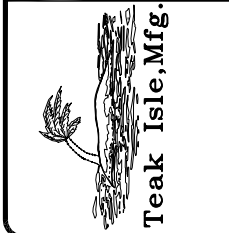
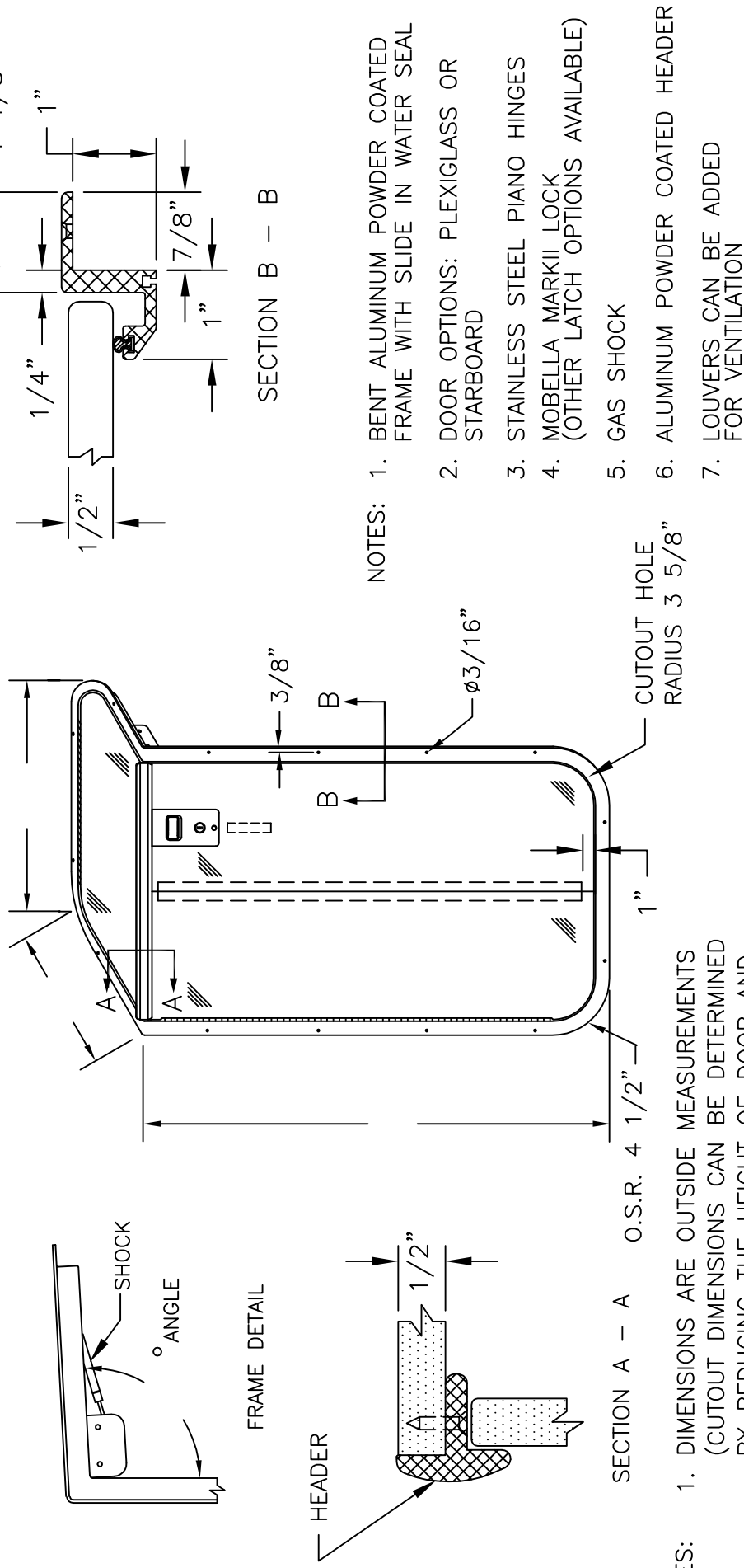
- NOTES:
1. BENT ALUMINUM POWDER COATED FRAME WITH SLIDE IN WATER SEAL
  2. DOOR OPTIONS: PLEXIGLASS OR STARBOARD
  3. STAINLESS STEEL PIANO HINGES
  4. MOBELLA MS SECURE LOCK (OTHER LATCH OPTIONS AVAILABLE)
  5. GAS SHOCK
  6. ALUMINUM POWDER COATED HEADER
  7. LOUVERS CAN BE ADDED FOR VENTILATION

- NOTES:
1. DIMENSIONS ARE OUTSIDE MEASUREMENTS (CUTOUT DIMENSIONS CAN BE DETERMINED BY REDUCING THE HEIGHT OF DOOR AND DEPTH OF HATCH DIMENSIONS BY 7/8", AND REDUCING THE WIDTH OF DOOR BY 1 3/4")
  2. NEED DECK ANGLE OF DOOR AND HATCH INTERSECTION
  3. NEED MAXIMUM HEIGHT OF HATCH IN THE OPEN POSITION FOR SHOCK PLACEMENT
  4. SPECIFY DOORS IS HINGE TO THE RIGHT OR LEFT

COMPANY NAME:		MODEL:	
 <p>Teak Isle, Mfg.</p>		*	
		DRAWN BY: <i>Randy Beckwith</i> SHEET 1 OF 1	
		TOLERANCES: ±1/32" SIZE DWG. A	
		DATE: 1/2007 SCALE: NTS	
PART #: SAMPLE 42		CAD/CAM #: *	

# CABIN DOOR WITH HATCH

## POWDER COATED ALUMINUM FRAME EXTRUSION #2063

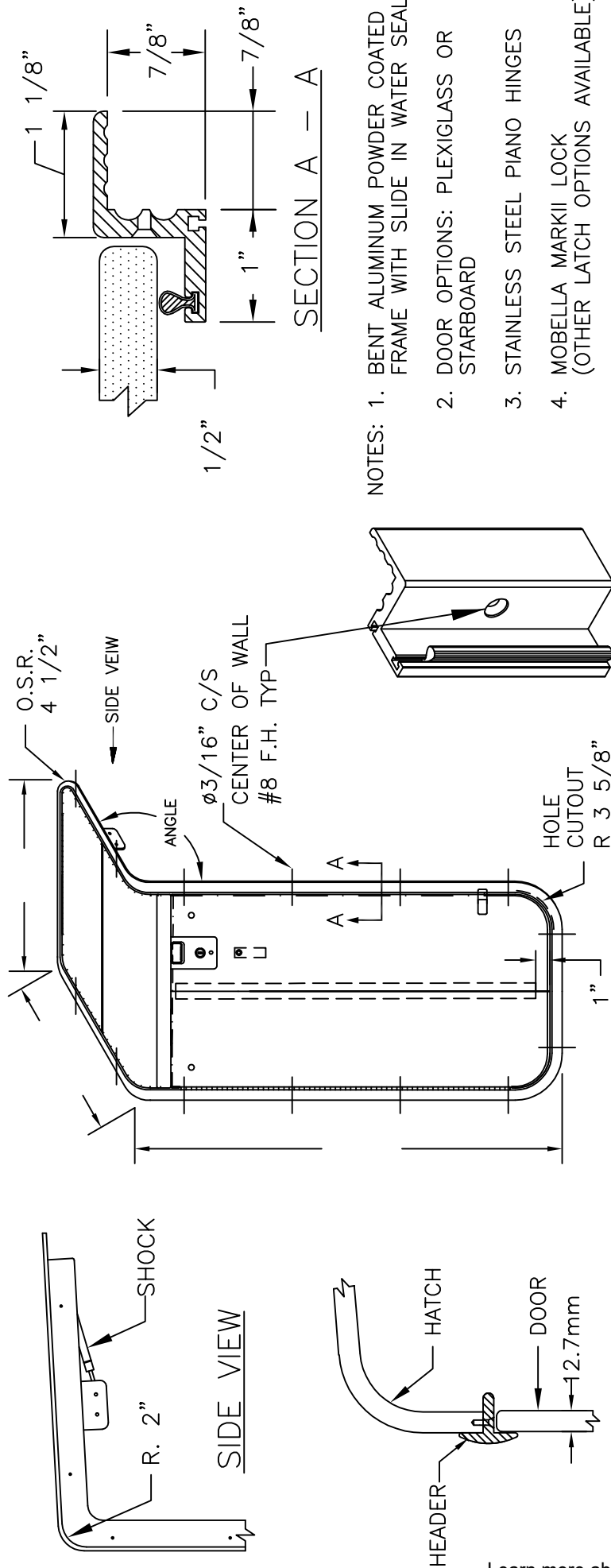


COMPANY NAME:  
**TITLE:  
CABIN DOOR  
WITH HATCH**

COMPANY NAME:	MODEL:
<b>TOLERANCES: ±1/32"</b>	*
DATE: 1/2007	SHEET 1 OF 1
CAD/CAM #: *	SIZE DWG. A
	SCALE: NTS
	NTS

# CABIN DOOR WITH HATCH (BENT CORNER)

POWDER COATED ALUMINUM FRAME WITH INTERIOR MOUNTING HOLES  
EXTRUSION #2062 WITH FLUSH PULL LATCH




SECTION A - A

- NOTES:
1. BENT ALUMINUM POWDER COATED FRAME WITH SLIDE IN WATER SEAL
  2. DOOR OPTIONS: PLEXIGLASS OR STARBOARD
  3. STAINLESS STEEL PIANO HINGES
  4. MOBELLA MARKII LOCK (OTHER LATCH OPTIONS AVAILABLE)
  5. GAS SHOCK
  6. ALUMINUM POWDER COATED HEADER
  7. LOUVERS CAN BE ADDED FOR VENTILATION

INTERIOR MOUNTING HOLE DETAIL

- NOTES:
1. DIMENSIONS ARE OUTSIDE MEASUREMENTS (CUTOUT DIMENSIONS CAN BE DETERMINED BY REDUCING THE HEIGHT OF DOOR AND DEPTH OF HATCH DIMENSIONS BY 7/8", AND REDUCING THE WIDTH OF DOOR BY 1 3/4")
  2. NEED DECK ANGLE OF DOOR AND HATCH INTERSECTION
  3. NEED MAXIMUM HEIGHT OF HATCH IN OPEN POSITION FOR SHOCK PLACEMENT
  4. SPECIFY DOORS IS HINGE TO THE RIGHT OR LEFT

COMPANY NAME:		MODEL:		
 <p><b>Teak Isle, Mfg.</b></p>		DRAWN BY: <i>Randy Beckwith</i>	SHEET <u>1</u> OF <u>1</u>	
		<b>TOLERANCES: ±1/32"</b>		SIZE DWG. A
		DATE: 11/2010	SCALE: NTS	
PART#: SAMPLE 49		CAD/CAM #:		