



## SPORTS CARGO MANAGEMENT SYSTEMS



**2018 PRODUCT CATALOG**



- 6** - Platform Hitch Racks
- 22** - Two Arm Hitch Racks
- 26** - Single Arm Hitch Racks
- 28** - Towing Racks
- 30** - RV Racks
- 40** - Trunk Racks
- 42** - Roof Racks
- 46** - Pick Up Racks
- 50** - Water Sports
- 56** - Bike Storage
- 60** - Accessories
- 68** - Commercial Racks
- 72** - Winter Sports
- 74** - Merchandise
- 76** - POP



# INTRODUCTION



## HELLO SWAGMAN FRIENDS

Swagman continues to create innovative cargo management gear for you! We also aim to serve our customers and users of Swagman products beyond their wildest expectations.

## PLATFORM RACKS

## SEMI 2.0

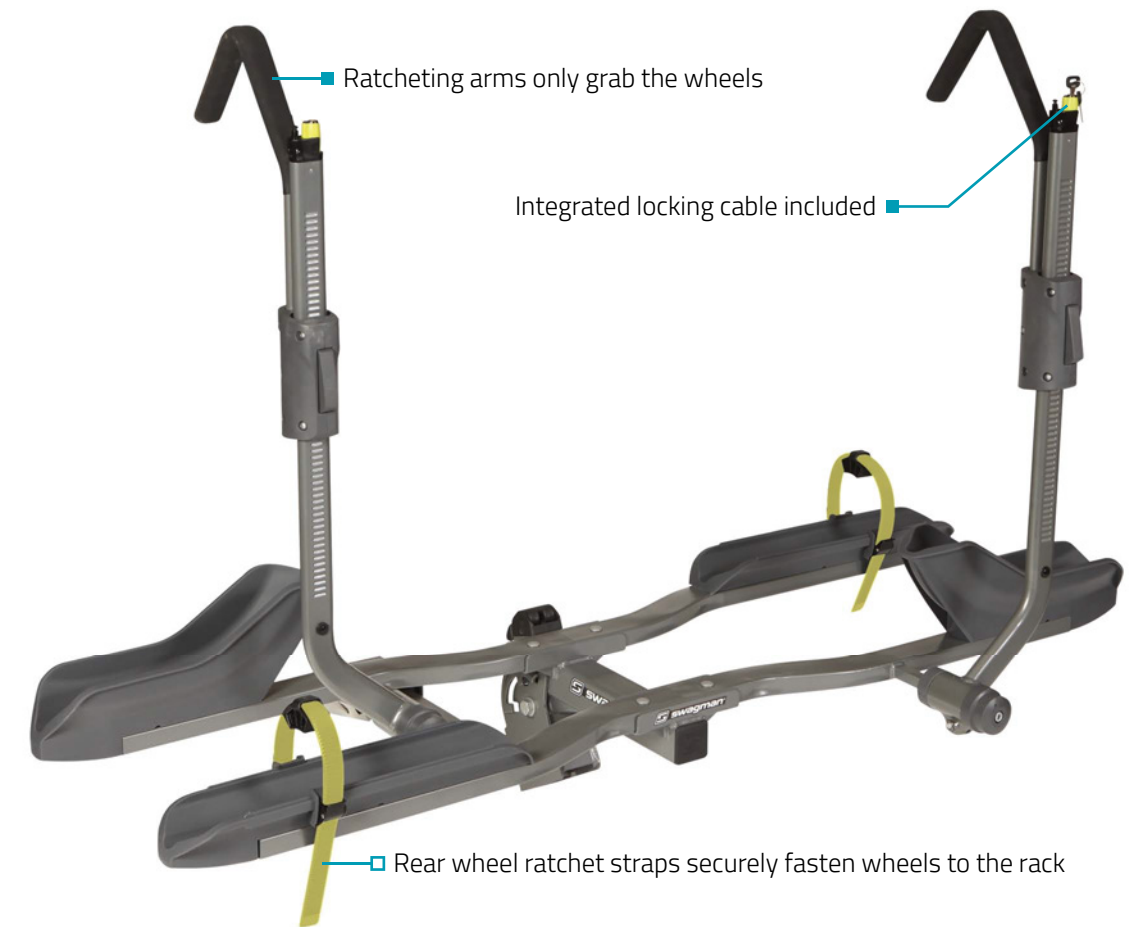
The Semi 2.0 was designed to keep that sweet carbon-frame of yours safe and secure during transport. It's no surprise the Semi 2.0 platform rack is Swagman's best-selling rack 2 years running. The foolproof ratcheting hook grips the front wheel tightly while the rear wheel ratchet strap securely fastens wheel to the rack. An included integrated cable lock will secure your bike for peace of mind when you're away from your vehicle. If you truly love your bike, this is the rack of choice.



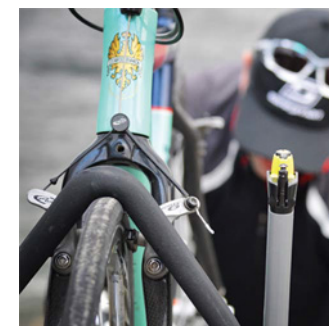
## SEMI 2.0

CARRIES: 1 OR 2 BIKES

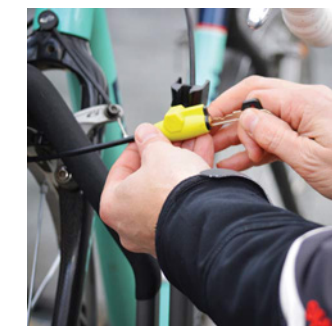
**FITS:** 1-1/4" & 2" HITCH RECEIVER **MAX LOAD:** 45 LBS PER BIKE **ITEM:** 64686



- Ratcheting arms only grab the wheels
- Integrated locking cable included
- Rear wheel ratchet straps securely fasten wheels to the rack
- Zero frame contact
- Tilts down to allow access to rear of vehicle even when bikes are loaded
- Fits 1-1/4" and 2" hitch receiver
- Fits most frame sizes, shapes and styles
- Folds up against vehicle when not in use
- Locking hitch pin included



■ RATCHING ARM ONLY GRABS WHEELS



■ INTEGRATED LOCKING CABLE INCLUDED



■ RACK TILTS DOWN TO ALLOW ACCESS TO REAR OF VEHICLE

PLATFORM RACKS

# SEMI 4.0 & ADD ON

The Semi 4.0 rack was designed for the most seasoned rider with plenty of friends or family. It's an extremely versatile rack that lets you choose between a 2 bike or 4 bike carrier, on the fly. Wait, what? Yes, you read that right. This zero frame-contact rack is unique because it can quickly convert from a 2 bike to a 4 bike rack using the Semi 4.0 Add On (Sold Separately), perfect for that growing family. Purchase the Semi 4.0 now then upgrade to the ADD ON when you're ready, saving you time and money!



## SEMI 4.0

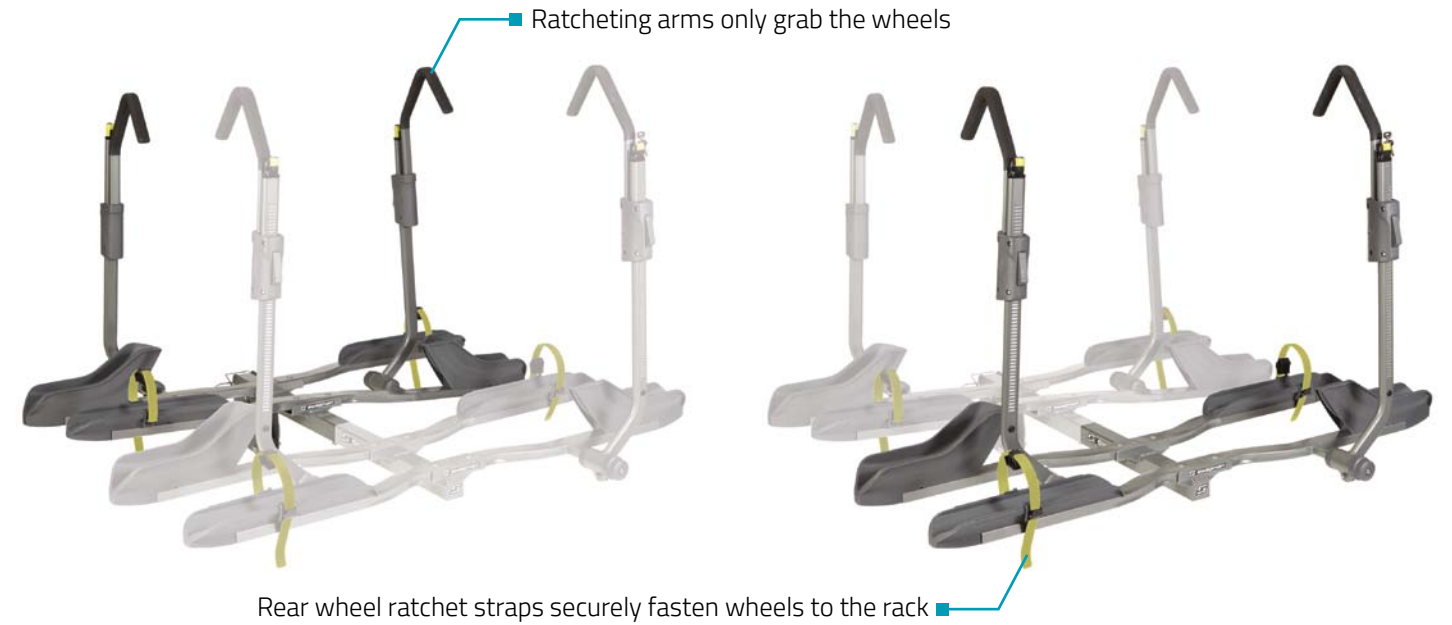
CARRIES: 1 OR 2 BIKES

FITS: 2" HITCH RECEIVER  
 MAX LOAD: 45 LBS PER BIKE  
 ITEM: 64698

## SEMI 4.0 ADD ON

CARRIES: 1 OR 2 BIKES

FITS: SEMI 4.0 (64698)  
 MAX LOAD: 45 LBS PER BIKE  
 ITEM: 64699



The Semi 4.0 (64698) is a **2 bike carrier** that has the option of attaching the Semi 4.0 Add On (64699) that transforms your Semi 4.0 rack into a **4 bike carrier**.

- Zero frame contact
- Fits 20" – 29" wheel sizes up to 3" wide
- Fits most frame sizes, shapes and styles
- Comes with a threaded locking hitch pin
- Rear wheel ratchet straps securely fasten wheels to the rack
- Integrated locking cable included
- Ratcheting arms only grab the wheels
- The rack folds up against the rear of the vehicle when not in use
- Not compatible with Semi 2.0



■ THE SEMI 4.0 IS A ZERO-FRAME CONTACT RACK



■ THE RACK FOLDS UP AGAINST THE REAR OF VEHICLE WHEN NOT IN USE



□ QUICKLY CONVERTS FROM A 2 BIKE TO A 4 BIKE RACK WITH THE ADD-ON

PLATFORM RACKS

# SITKKA 2 & 3

Sitkka series, zero frame-contact, platform racks were tailored to satisfy even the most fastidious riders. Through extensive research and development, Swagman constructed an opulent 2 or 3 bike rack that accommodates all biking categories, even the growing fat bike community. This sleek looking rack provides the flexibility riders need when hauling either a super-light triathlon bike or a rugged fat bike using the same wheel trays. Wicked!



## SITKKA 2

CARRIES: 1 OR 2 BIKES

FITS: 1-1/4" & 2" HITCH RECEIVER

MAX LOAD: 40 LBS PER BIKE

ITEM: 64687

## SITKKA 3

CARRIES: 1, 2 OR 3 BIKES

FITS: 2" HITCH RECEIVER

MAX LOAD: 40 LBS PER BIKE

ITEM: 64688

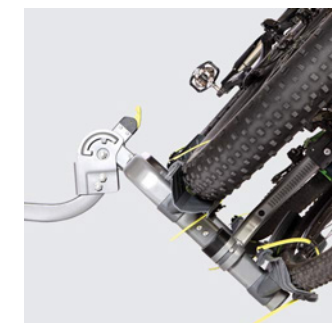


- Fits bikes from 20" wheels up to 29"+ including fat bikes up to 5" wide
- Rack folds up against the back of the vehicle when not in use
- Tilts down to allow access to the rear of vehicle, even when bikes are loaded

- Locking ratcheting arms with replaceable keys help to prevent bike theft
- Sliding rear straps accommodate bikes of various lengths
- Wheel ratchet straps securely fasten wheels to the rack
- Locking hitch pin included



■ SITKKA FOLDS UP AGAINST THE BACK OF VEHICLE WHEN NOT IN USE



■ TILTS DOWN TO ALLOW REAR ACCESS TO VEHICLE EVEN WHILE BIKES ARE LOADED



■ WHEEL RATCHET STRAPS FIRMLY HOLD BIKES AND SECURE WHEELS

PLATFORM RACKS

# G10

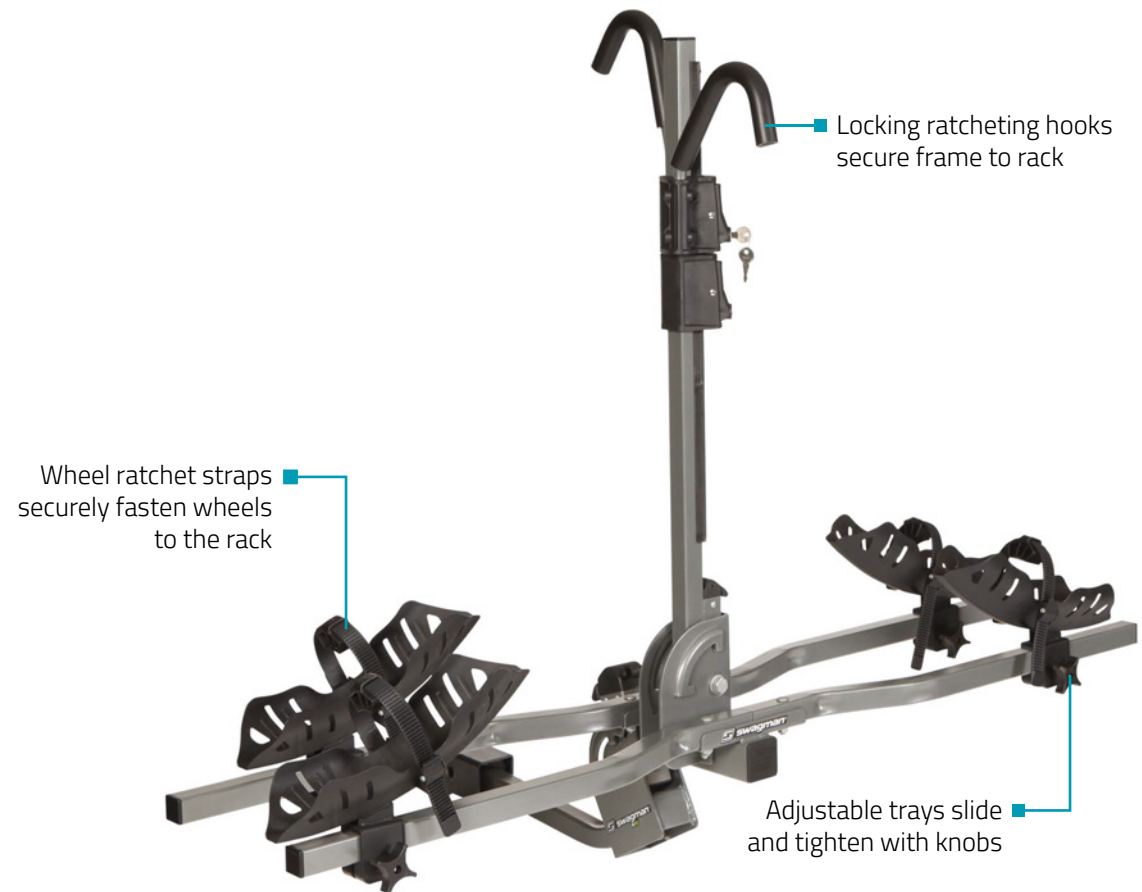
Versatile and user-friendly, the G10 platform rack was built for performance. Fitting a variety of frame sizes, shapes and styles, the G10 is even fat bike friendly. No need to constantly remove your rack because the user-friendly cam lever allows you to fold the rack up against the vehicle for compact convenience. The G10 even tilts away to access the rear of the vehicle to get your gear before your ride. Beefy fat bike tire trays sold separately.



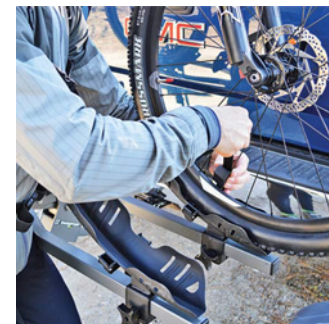
# G10

CARRIES: 1 OR 2 BIKES

FITS: 1-1/4" & 2" HITCH RECEIVER    MAX LOAD: 45 LBS PER BIKE    ITEM: 64682



- The rack is straight forward to install and folds up when not in use
- Tilts down to allow access to rear of vehicle, even when the bikes are loaded
- Locking hitch pin included
- Fits most frame sizes, shapes and styles
- Includes 2 same key lock cylinders to lock bike to bike rack
- Fat tire trays sold separately (#64679)



■ WHEEL RATCHET STRAPS FASTEN WHEELS TO THE RACK



■ LOCKING RATCHETING HOOKS SECURE FRAME TO RACK



■ ADJUSTABLE TRAYS SLIDE AND TIGHTEN WITH KNOBS

PLATFORM RACKS

# CHINOOK

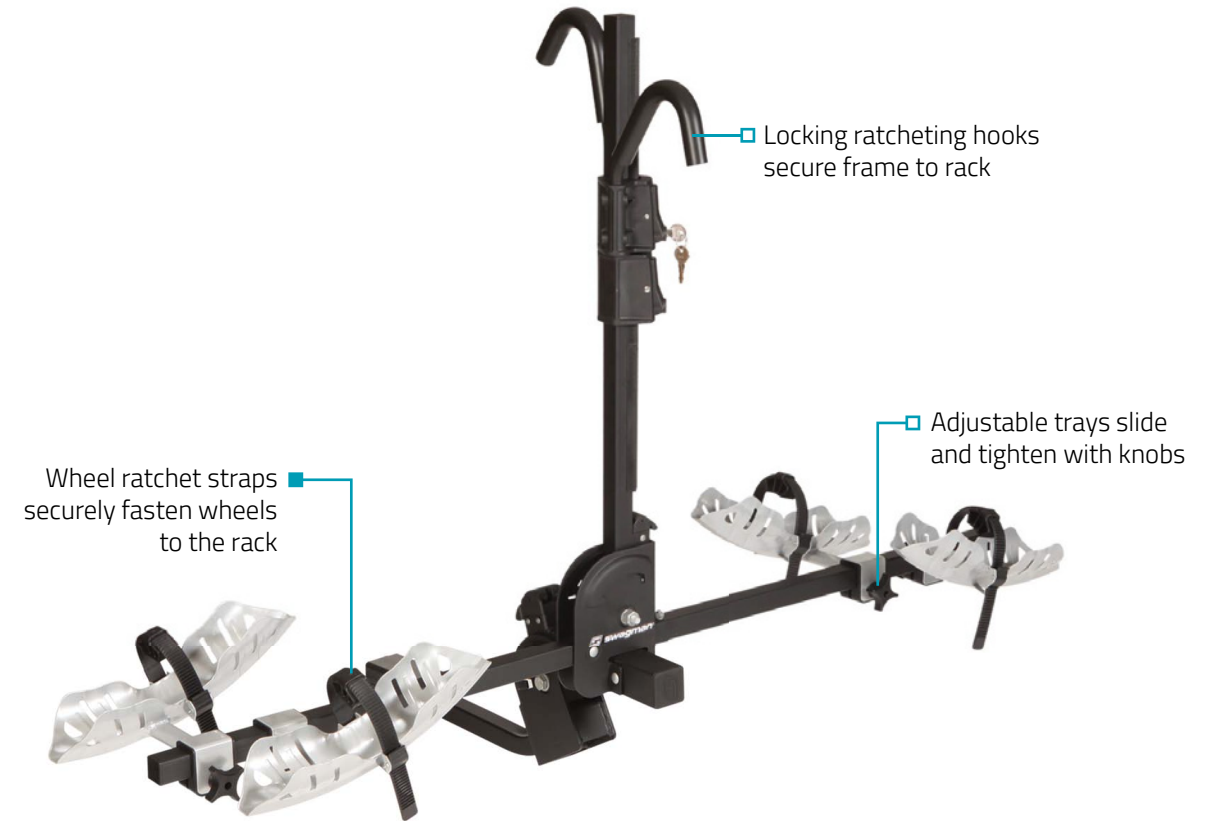


The Chinook is lightweight, hassle-free bike rack that combines convenience and durability; two things all rack owners demand in a rack. This is the perfect rack for anyone who is planning on using it often, but looking for a rack that folds up nicely for easy storage. The Chinook's offer a tilt-down feature that allows users access to the rear of your vehicle, even when the bikes are loaded. It may just be the last rack you ever need to buy.

# CHINOOK

CARRIES: 1 OR 2 BIKES

FITS: 1-1/4" & 2" HITCH RECEIVER    MAX LOAD: 45 LBS PER BIKE    ITEM: 64683



- Fits 1-1/4" and 2" hitch receiver
- Tilts down to allow access to rear of vehicle, even when bikes are loaded
- Fits most frame sizes, shapes and styles
- Rack is lightweight, tipping the scales at only 35 lbs
- Includes 2 same key lock cylinders that secure frame to bike rack
- Locking hitch pin included
- Fat Tire Trays available sold separately (#64694)



■ RATCHETING WHEEL STRAPS HOLD BIKES FIRMLY IN PLACE



■ RACK TILTS AWAY FROM VEHICLE EVEN WITH BIKES LOADED



□ RACK FOLDS UP AGAINST THE REAR OF VEHICLE WHEN NOT IN USE



PLATFORM RACKS

# QUAD 2+2

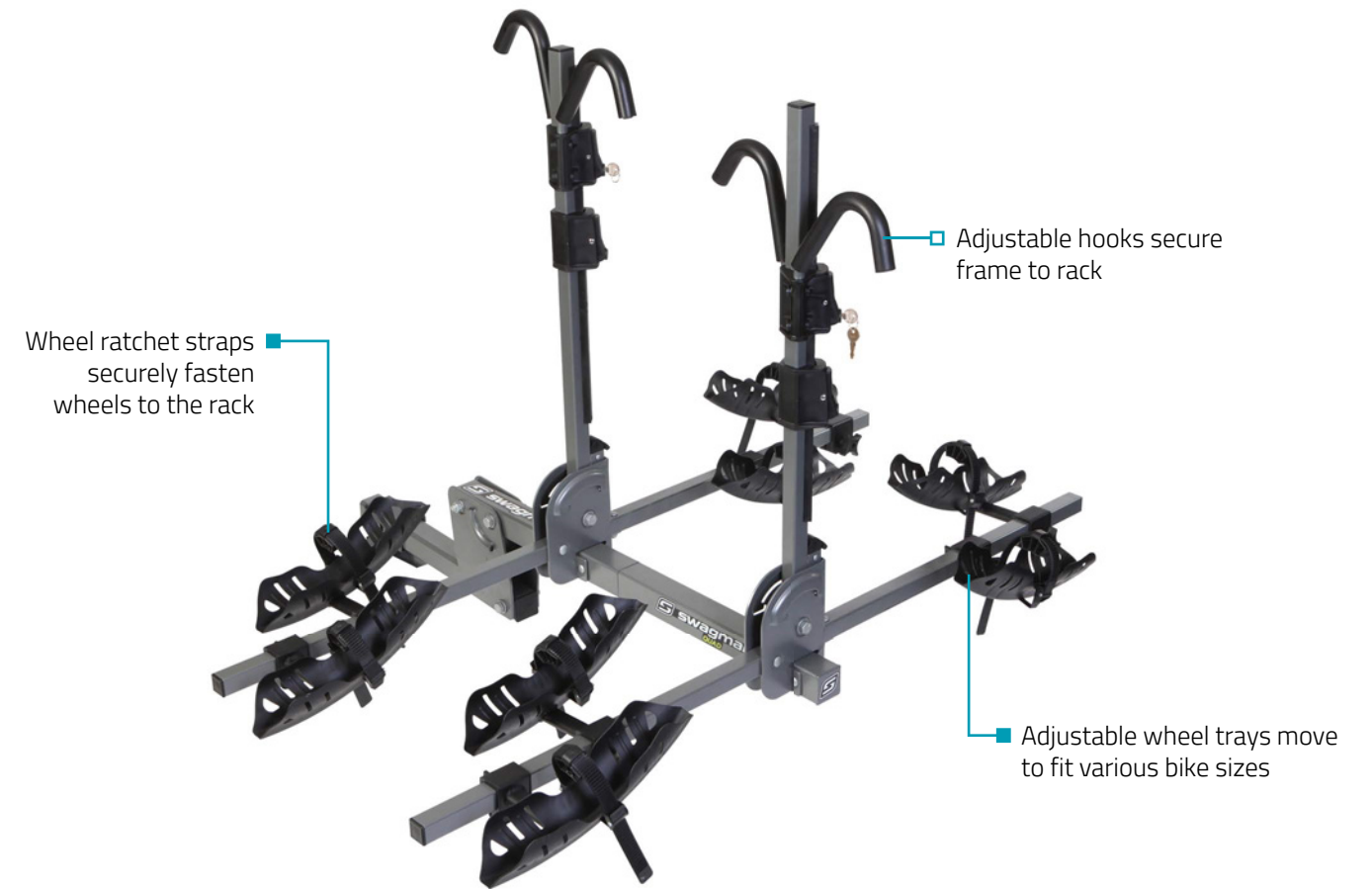


**WARNING** – Quad 2+2 owners have been known to experience increased popularity due to the extra load room for friends' bikes. From beach cruisers to road bikes, the Quad 2+2 can haul it all. You know just from the name, the Quad 2+2 was designed to get 4 bikes to their destination safely and securely. Think of this rack as your trusty Sherpa, safely traversing the wilderness to get your bikes to the trailhead. The solid and stable wheel trays are adjustable and slide into their desired positions while the locking hooks secure your bike to the rack. No need to stress when this unit is not in use, the rack folds up nicely against the vehicle.

# QUAD 2+2

CARRIES: 1, 2, 3 OR 4 BIKES

FITS: 2" HITCH RECEIVER    **MAX LOAD:** 45 LBS PER BIKE    **ITEM:** 64692



- ▣ Fits 2" hitch receiver
- ▣ Locking hitch pin included
- ▣ Fits most frame sizes, shapes and styles
- ▣ Transforms from 2-bike to 4-bike carrier in seconds
- ▣ Includes 4 same key lock cylinders to lock bike to rack
- ▣ Fat tire trays sold separately (#64694)



■ ADJUSTABLE WHEEL TRAYS MOVE TO FIT VARIOUS BIKE SIZES



▣ RACK FOLDS UP AGAINST THE VEHICLE WHEN NOT IN USE



■ RATCHETING WHEEL STRAPS HOLD BIKES FIRMLY IN PLACE

PLATFORM RACKS

# XTC2 & 4

The Original - tried and true. This XTC2 is a tried and true original and one of the straightforward racks in our line-up to use. Simply rest the bike's wheels in the wells, secure the straps, ratchet down the finish friendly frame hook and you're ready to go! The XTC2 has optional fat tire trays (sold separately) and folds up neatly for storage when not in use.



## XTC2

CARRIES: 1 OR 2 BIKES

FITS: 1-1/4" & 2" HITCH RECEIVER

MAX LOAD: 35 LBS PER BIKE

ITEM: 64670

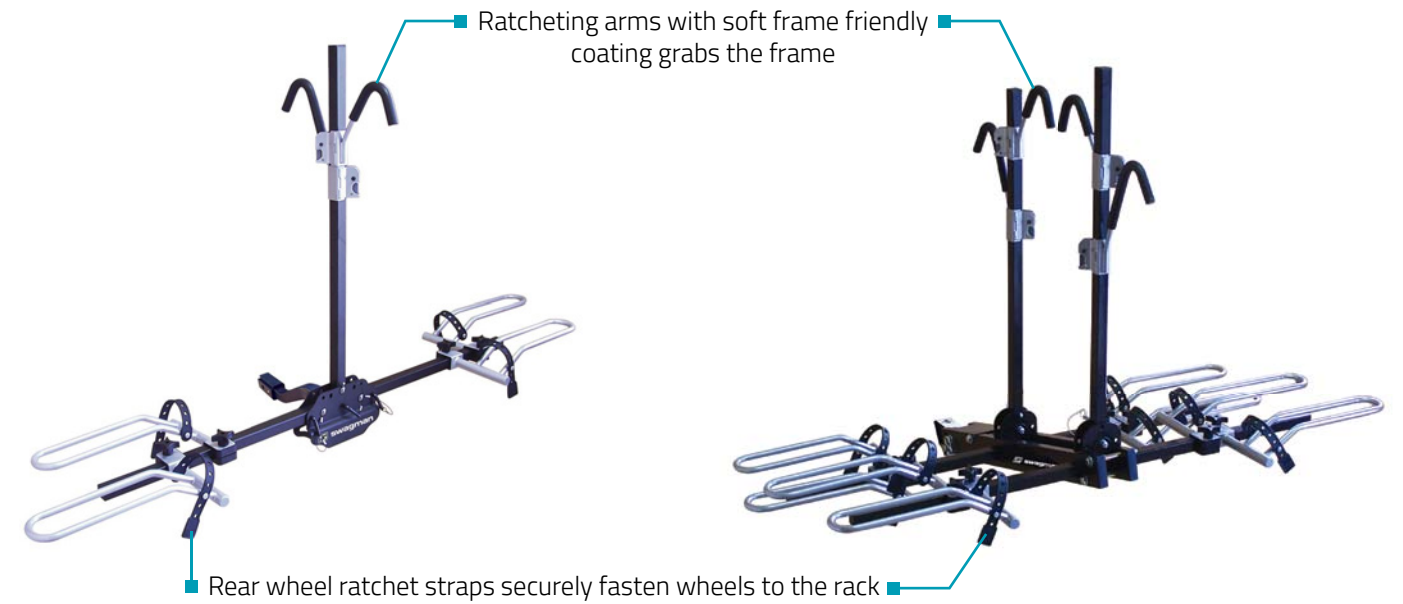
## XTC4

CARRIES: 1, 2, 3 OR 4 BIKES

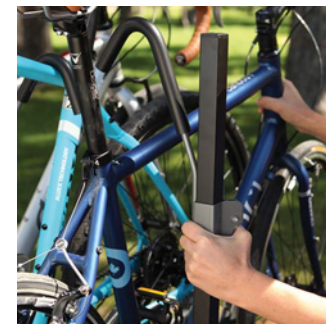
FITS: 2" HITCH RECEIVER

MAX LOAD: 35 LBS PER BIKE

ITEM: 64665



- Built-in anti-wobble hitch device
- Upright ratchet arms easily adjust to different bike frame sizes
- Soft, frame friendly grip arms hold bikes in place and protect bike's finish
- Center arm folds down to allow access to the rear of vehicle without removing the rack
- 4 bike rack folds up when not in use
- Powder coated for added rust protection
- Fits 20" – 29" wheel sizes
- Locking hitch pin and 8 ft. long 10 mm security cable included for item# 64665
- Locking hitch pin and 7.5 ft. long 10 mm security cable (#64031) sold separately for item# 64670



■ RATCHETING ARMS WITH SOFT FRAME FRIENDLY COATING



■ RACK FOLDS UP FOR EASY STORAGE



□ FAT TIRE TRAYS SOLD SEPARATELY (#64674). MAX 35 LBS. PER BIKE

PLATFORM RACKS

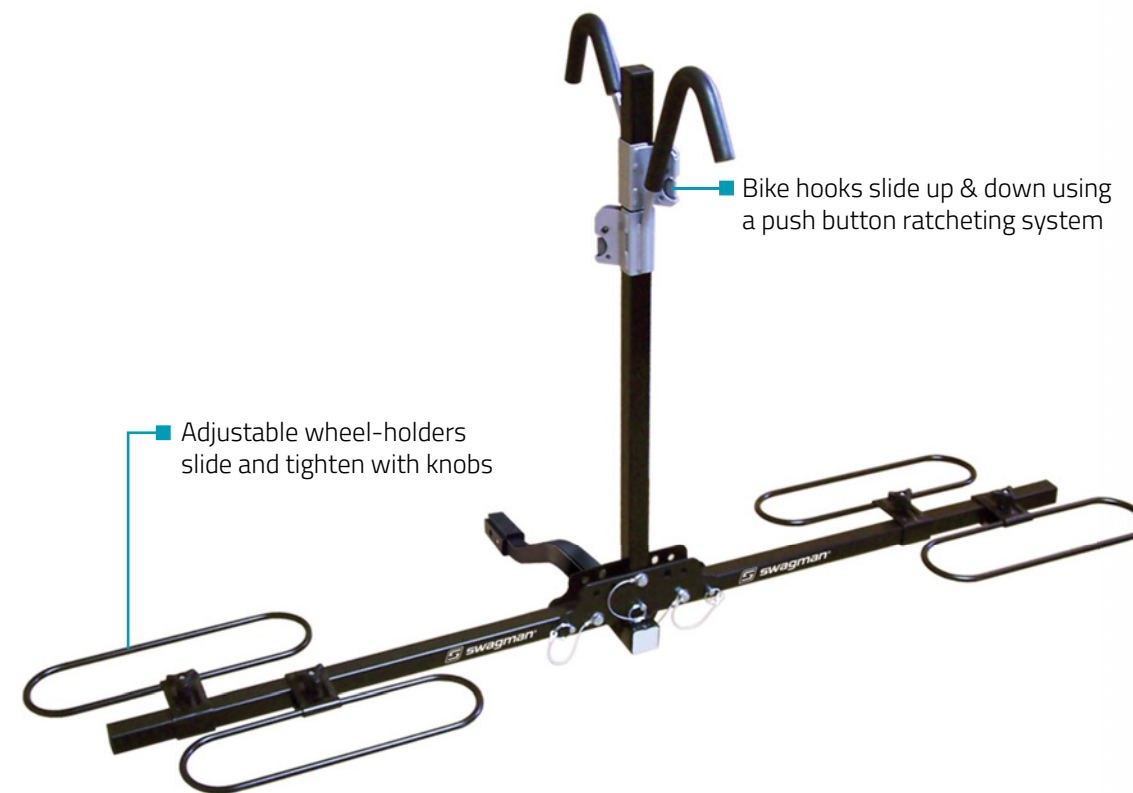
XC2



Looking for a stress-free way to transport your bikes? Well, look no further than the XC2. As one of our original racks from season one, the XC2 is a no-nonsense rack that easily adjusts to fit most frame sizes and folds up for compact storage. It's lightweight making it easy to take on and off the vehicle.

XC2  
CARRIES: 1 OR 2 BIKES

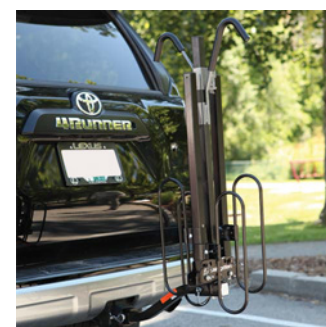
FITS: 1-1/4" & 2" HITCH RECEIVER    MAX LOAD: 35 LBS PER BIKE    ITEM: 64650



■ Bike hooks slide up & down using a push button ratcheting system

■ Adjustable wheel-holders slide and tighten with knobs

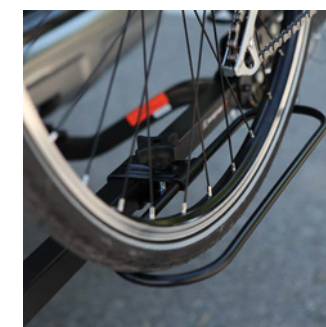
- Built-in anti-wobble hitch device
- Upright ratchet arms easily adjust to different bike frame sizes
- Frame grip arms with improved soft frame-friendly coating to protect bike's finish
- Center arm folds down to allow access to the rear of vehicle without removing the rack
- Fits 20" – 29" wheel sizes
- Locking hitch pin and 10 mm security cable sold separately (#64031)



□ RACK FOLDS UP FOR EASY STORAGE



■ BIKE HOOKS SLIDE UP & DOWN USING A PUSH BUTTON RATCHETING SYSTEM



■ ADJUSTABLE WHEEL-HOLDERS

TWO ARM RACKS

# TITAN



The definition of Titan is one that is gigantic in size or power: one that stands out for greatness of achievement, and its name couldn't be more fitting. Our Titan series racks are dual arm carriers that offer endless stability and versatility.

# TITAN 2

CARRIES: 1 OR 2 BIKES

FITS: 1-1/4" & 2" HITCH RECEIVER

MAX LOAD: 35 LBS PER BIKE

ITEM: 63400

- Anti-sway cradles prevent bike-to-bike contact
- Cam lever release enables rack and arms to tilt down to allow access to the rear of your vehicle
- Integrated locking 8 mm security cable included that retracts into the mast for storage when not in use
- Compatible with 1-1/4" and 2" hitch receiver
- Dual arms fold down for convenient storage
- Deluxe Bar Adapter\* (sold separately) provides horizontal mounting point if bike does not have a horizontal top tube



■ RACK TILTS AWAY TO ALLOW EASY ACCESS TO THE REAR OF VEHICLE



■ INTEGRATED LOCKING 8 MM SECURITY CABLE INCLUDED



■ DELUXE BAR ADAPTER\* (#64005) SOLD SEPARATELY

# TITAN 4

CARRIES: 1, 2, 3 OR 4 BIKES

FITS: 1-1/4" & 2" HITCH RECEIVER MAX LOAD: 35 LBS PER BIKE ITEM: 63410



- Anti-sway cradles prevent bike-to-bike contact
- Lower cam lever enables the rack to tilt away allowing rear of vehicle access
- Compatible with 1-1/4" and 2" hitch receiver
- Integrated locking 8 mm security cable that retracts into the mast for storage when not in use



■ DUAL ARMS FOLD DOWN FOR CONVENIENT STORAGE



■ DUAL ARMS PROVIDE MAXIMUM BIKE STABILITY



■ INTEGRATED LOCKING CABLE

TWO ARM RACKS

# TRAILHEAD 2, 3 & 4



The Trailhead 2, 3 and 4 two-arm hitch racks are strong and reliable. The Anti-Sway cradles prevent bike-to-bike contact on your way to your destination. These racks even tilt away from your vehicle giving making it as versatile as it is economical.

## TRAILHEAD 2

**CARRIES: 1 OR 2 BIKES**

**FITS: 1-1/4" & 2" HITCH RECEIVER**

**MAX LOAD: 35 LBS PER BIKE**

**ITEM: 63360**

- Transports up to 2 bikes
- Rack tilts away to allow access to the rear of your vehicle
- Dual arms fold down for convenient storage

Compatible with 1-1/4" and 2" hitch receiver



□ Anti-sway cradles prevent bike-to-bike contact and secures bike to the rack using durable rubber straps

## TRAILHEAD 3

**CARRIES: 1, 2 OR 3 BIKES**

**FITS: 1-1/4" & 2" HITCH RECEIVER**

**MAX LOAD: 35 LBS PER BIKE**

**ITEM: 63365**

- Transports up to 3 bikes
- Compatible with 1-1/4" and 2" hitch receiver
- Anti-sway cradles prevent bike-to-bike contact and secure bike to the rack using durable rubber straps
- Rack tilts away to allow access to the rear of your vehicle
- Dual arms fold down for convenient storage



## TRAILHEAD 4

**CARRIES: 1, 2, 3 OR 4 BIKES**

**FITS: 1-1/4" & 2" HITCH RECEIVER**

**MAX LOAD: 35 LBS PER BIKE**

**ITEM: 63380**

- Transports up to 4 bikes
- Compatible with 1-1/4" and 2" hitch receiver
- Anti-sway cradles prevent bike-to-bike contact and secure bike to the rack using durable rubber straps
- Rack tilts away to allow access to the rear of your vehicle
- Dual arms fold down for convenient storage



■ FITS 1-1/4" AND 2" HITCH RECEIVERS



■ RACK TILTS AWAY AT BASE



■ DUAL ARMS FOLD DOWN FOR STORAGE WHEN NOT IN USE

SINGLE ARM RACKS

XP 4 & 5

XP Series racks were designed with rotating cradles that keep wheels level and provide greater ground clearance. Equipped with locking knobs, these folding one-arm racks get you there fast!



XP 4 FOLDING

CARRIES: 1, 2, 3 OR 4 BIKES

FITS: 1-1/4" & 2" HITCH RECEIVER

MAX LOAD: 35 LBS PER BIKE

ITEM: 64960

- Cradles rotate to keep wheels level to the ground to provide greater ground clearance
- Cradles accommodate up to a 2" diameter round frame tube
- Rotating cradles are made of soft rubber with deep grooves to prevent bike scratches
- Arm folds down to allow access to the rear of your vehicle
- Quick loading and unloading of your bikes
- Locking hitch pin sold separately (#64029)



Equipped with locking knob

XP 5 FOLDING

CARRIES: 1, 2, 3, 4 OR 5 BIKES

FITS: 2" HITCH RECEIVER

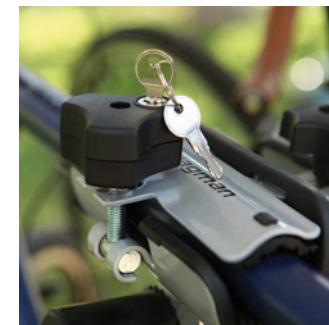
MAX LOAD: 35 LBS PER BIKE

ITEM: 64970

- Fits 2" hitch receiver
- Cradles rotate to keep wheels level to the ground to provide greater ground clearance
- Equipped with locking knob
- Cradles accommodate up to a 2" diameter round frame tube
- Arm folds down to allow access to the rear of your vehicle
- Quick loading and unloading of your bikes
- Locking hitch pin sold separately (#64027)



Rotating cradles are made of soft rubber with deep grooves to prevent bike scratches



■ LOCKING KNOB INCLUDED



■ CUSHIONED CRADLES HELP TO STABILIZE BIKE AND PREVENT SCRATCHING



□ LOCKING HITCH PIN SOLD SEPARATELY

TOWING RACKS



# ORIGINAL 4

**CARRIES:** 1, 2, 3 OR 4 BIKES

**FITS:** 2" TOWING RECEIVER

**MAX LOAD:** 35 LBS PER BIKE

**ITEM:** 64675

- ❑ Transports up to 4 bikes
- ❑ Tow bar rated for 3500 lbs.
- ❑ 350 lb. capacity tongue weight



- ❑ SOFT KRATON CUSHIONS PROTECT BIKE



Comes with tow bar; requires a 2" ball (not included)

# TRAILHEAD 4

**CARRIES:** 1, 2, 3 OR 4 BIKES

**FITS:** 2" TOWING RECEIVER

**MAX LOAD:** 35 LBS PER BIKE

**ITEM:** 63390

- ❑ Arms fold away and rack folds down to allow access to the rear of your vehicle
- ❑ Tow bar rated for 3000 lbs.
- ❑ 300 lb. capacity tongue weight
- Anti-sway cradles prevent bike-to-bike contact



■ Anti-sway cradles prevent bike-to-bike contact and secures bike to the rack using durable rubber straps

Comes with tow bar, requires a 2" ball (not included) ❑

# TRAVELER XCS2

**CARRIES:** 1 OR 2 BIKES

**FITS:** 2" TOWING RECEIVER

**MAX LOAD:** 35 LBS PER BIKE

**ITEM:** 64664

- ❑ Ratchet arms have a soft frame friendly coating to protect the bike's finish
- ❑ Lifts bikes 17" from the top of the towing bar
- ❑ Locking hitch pin and 10 mm security cable sold separately
- Fits Class 3 & 4 hitch receivers (tow bar not included)



- ❑ RACK FOLDS UP FOR EASY STORAGE



❑ Push-button ratchet arm easily adjusts to secure your bike

Fits over 2" towing bar (not included)

RV RACKS



The Straddler is being introduced in 2018 to give Travel Trailer owners the ability to mount a bike rack on the nose of their travel trailer. This innovative rack will clamp onto the triangular frame, telescoping and rotating legs allow for fitting to a variety of trailer designs with the capability of rising over even 30lb LP Tanks.

# THE STRADDLER

CARRIES: UP TO 2 BIKES + 2 BIKE CARRIER

FITS: MOST TRAVEL TRAILER "A" FRAMES

MAX LOAD: 35 LBS PER BIKE + BIKE RACK (MAX. 100 LBS INCLUDING BIKE RACK) ITEM: 80503

Designed to create a 2" receiver



- Steel construction
- Powder coated to resist corrosion
- Designed to create a 2" receiver on the nose of the travel trailer
- Allows the user to utilize their own hitch mounted bike racks regardless of RV Approved status as the bounce and sway is not as severe on the nose of the trailer



■ RECEIVER CAN BE RAISED OVER PROPANE TANKS



■ MAXIMUM 2 BIKE CARRIER ACCEPTED



■ ROTATING/TELESCOPING FOOT CLAMPS ALLOW FOR MAXIMUM FITMENT ON TRAILER FRAMES

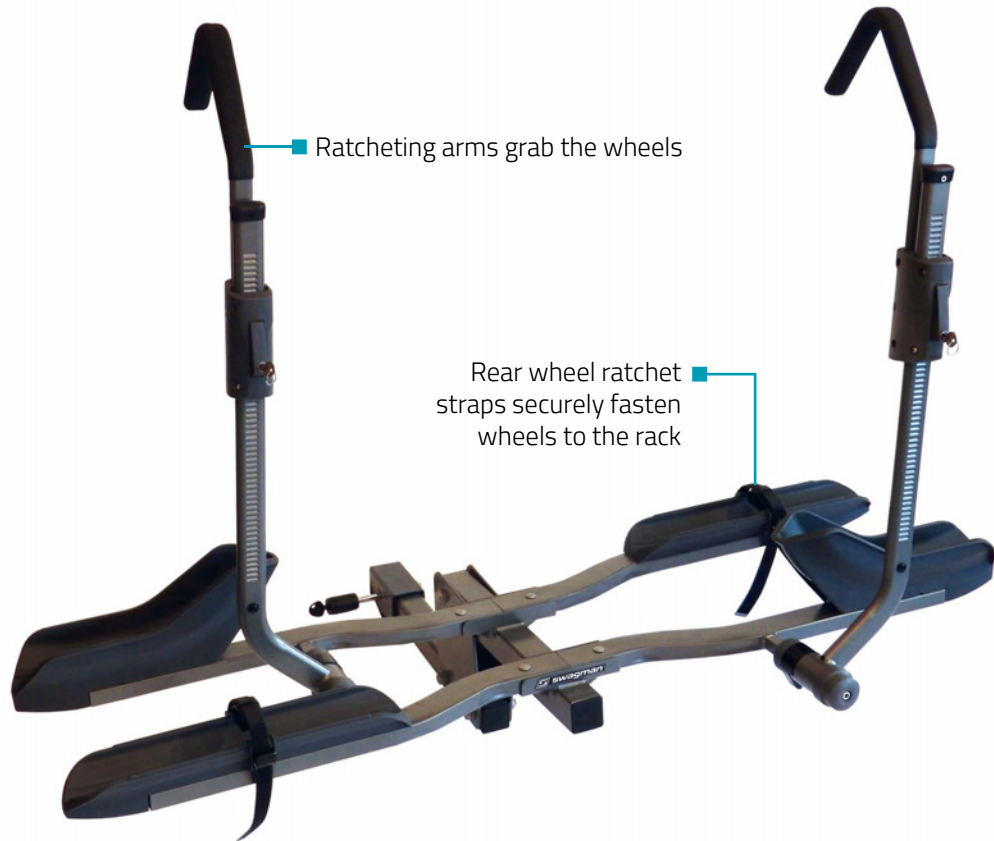


RV RACKS

# ESCAPEE RV / E-BIKE

CARRIES: 1 OR 2 BIKES

FITS: 2" HITCH RECEIVER    **MAX LOAD:** 60 LBS PER BIKE    **ITEM:** 64693



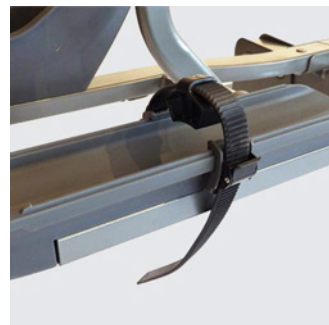
Ratcheting arms grab the wheels

Rear wheel ratchet straps securely fasten wheels to the rack

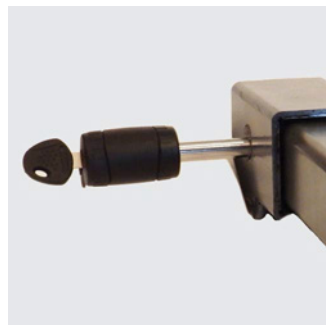
- Zero frame contact
- Fits 20" – 29" wheel sizes up to 3" wide
- Fits most frame sizes, shapes and styles
- Designed for heavy duty use (E-bikes up to 60 lbs.)
- Comes with a threaded locking hitch pin
- Includes 2 same key lock cylinders to lock bike to rack



■ ZERO FRAME CONTACT; RATCHETING ARMS GRAB THE WHEELS



■ REAR WHEEL RATCHET STRAPS SECURELY FASTEN WHEELS TO THE RACK



■ THREADED LOCKING HITCH PIN INCLUDED

# DISPATCH

CARRIES: 1 OR 2 BIKES

FITS: 2" HITCH RECEIVER    **MAX LOAD:** 45 LBS PER BIKE    **ITEM:** 64684



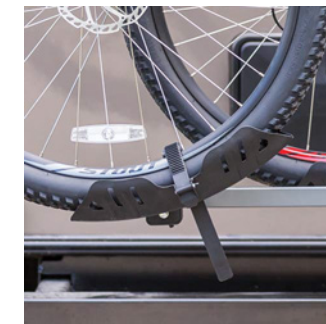
Adjustable hooks secure frame to rack

Wheel ratchet straps securely fasten wheels to the rack

- Locking hitch pin and cable included
- Sliding wheel trays adjust to accommodate bikes of different lengths
- Designed for increased ground clearance (7" higher than #64663)
- Cam lever works to easily lower vertical post
- Fat wheel trays available sold separately (#64694)



■ FAT WHEEL TRAYS AVAILABLE SOLD SEPARATELY (#64694)



■ RATCHETING WHEEL STRAPS SECURE WHEELS TO TRAY



■ SOFT FRAME-FRIENDLY HOOKS PROTECT BIKES FINISH

RV RACKS

# TRAVELER XC2

CARRIES: 1 OR 2 BIKES

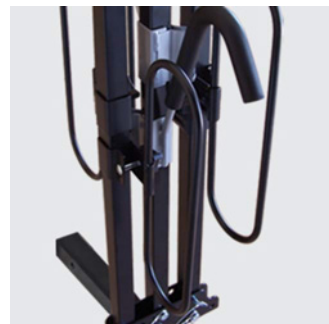
FITS: 2" HITCH RECEIVER MAX LOAD: 35 LBS PER BIKE ITEM: 64663



Push-button ratchet arm easily adjusts to secure your bike

Adjustable hoops fit a variety of bikes

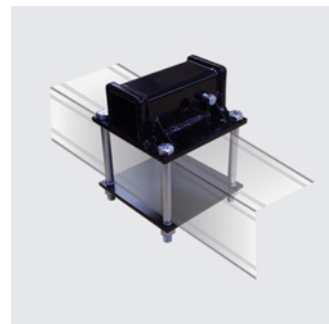
- 2" bumper mount adapter included
- Fits into a 2" Class 3 Hitch or mounts to a 4.5" continuous steel welded RV bumper
- Locking hitch pin and 10 mm security cable sold separately (#64030)



□ RACK FOLDS UP FOR EASY STORAGE



■ ADJUSTABLE HOOPS FIT A VARIETY OF BIKES



■ BUMPER ADAPTER INCLUDED

# TRAILHEAD 4

CARRIES: 1, 2, 3 OR 4 BIKES

FITS: 2" HITCH RECEIVER  
MAX LOAD: 35 LBS PER BIKE  
ITEM: 63381

- Fits 2" receiver
- Arms fold down when not in use
- Ideal for RV's or Motorhomes



■ ANTI-SWAY CRADLES PREVENT BIKE-TO-BIKE CONTACT



Anti-sway cradles prevent bike-to-bike contact

# XP 4 STANDARD

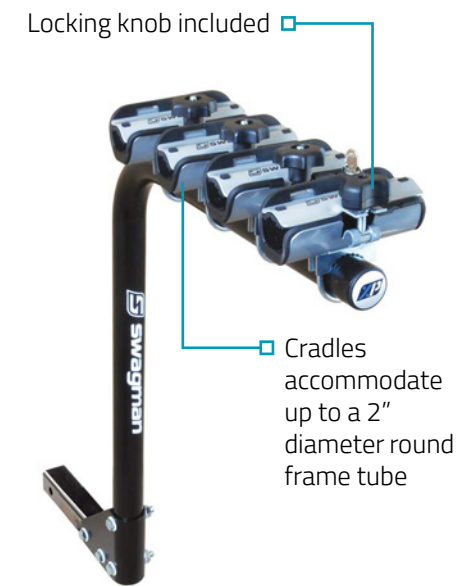
CARRIES: 1, 2, 3 OR 4 BIKES

FITS: 2" HITCH RECEIVER  
MAX LOAD: 35 LBS PER BIKE  
ITEM: 64940

- Cradles rotate to keep wheels level to the ground to provide greater ground clearance
- Soft Kraton cradle wraps help to provide a secure, scratch-free ride for your bike
- Recommended for the back of RV's



■ SOFT KRATON CRADLE WRAPS HELP STABILIZE AND PROTECT BIKES



Locking knob included

□ Cradles accommodate up to a 2" diameter round frame tube

RV RACKS

# ROAMER

**CARRIES: 1 OR 2 BIKES**

**FITS:** TENT TRAILERS, TRUCK CANOPIES & TONNEAU COVERS

**MAX LOAD:** 150 LBS MAX. INCLUDING RACK

**ITEM:** 80510

- Fits tent trailers, truck canopies and tonneau covers\*
- Cross bars (84" in length) fit most bikes and watersports accessories
- Carrier Weight: 27 lbs.



(\*Please consult the manufacturer of your canopy, tonneau cover or tent trailer for maximum load capacity)



□ MOUNTING HARDWARE INCLUDED

# LADDER RACK

**CARRIES: 1 OR 2 BIKES**

**FITS:** LADDER MOUNT

**MAX LOAD:** 35 LBS PER BIKE

**ITEM:** 80630

- Fits on most RV Ladders
- Easy hook design for quick installation and removal
- 2 straps included for securing rack and bikes



□ SOFT CRADLES HOLD BIKES SECURELY



# AROUND THE SPARE DELUXE

**CARRIES: 1 OR 2 BIKES**

**FITS:** 4-4.5" SQUARE CONTINUOUSLY WELDED STEEL BUMPERS

**MAX LOAD:** 30 LBS PER BIKE

**ITEM:** 80501

Anti-sway cradles prevent bike-to-bike contact and secures bike to the rack using durable rubber straps

- Carries up to 2 bikes
- Mounts around most spare tires
- Anti-sway cradles prevent bike-to-bike contact



RV RACKS

# BUMPER ADAPTER

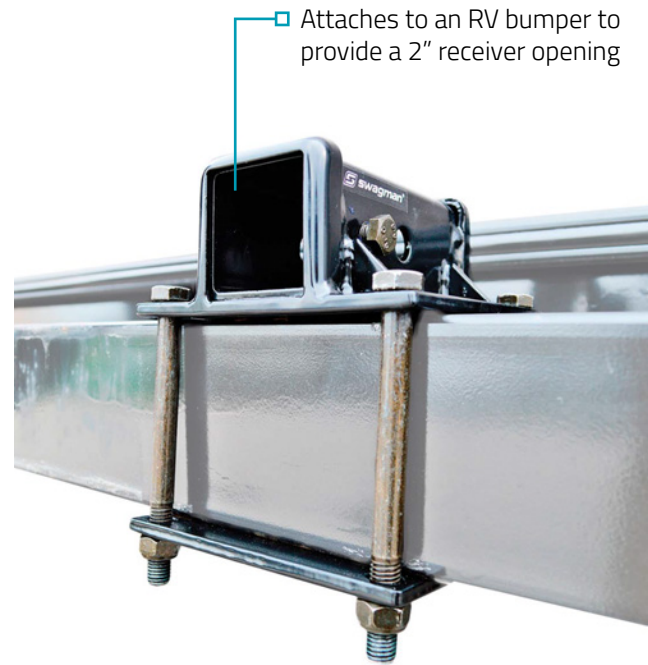
**CARRIES:** 1 HITCH MOUNT RACK

**FITS:** 4-4.5" CONTINUOUSLY WELDED STEEL BUMPERS  
**ITEM:** 64025

- Solid steel construction
- Easy installation
- Adapter weighs 9 lbs.
- Powder coated to resist corrosion
- When used with a hitch pin and anti-wobble set screw, the bumper adapter provides a secure way to carry an RV approved hitch bike rack



■ HITCH PIN AND ANTI-WOBBLE SET SCREW



□ Attaches to an RV bumper to provide a 2" receiver opening



\*Not to be used for towing or with cargo carriers. Consult your trailer manufacturer for load rating on bumper.

# RV BUMPER RACK 2

**CARRIES:** 1 OR 2 BIKES

**FITS:** 4-4.5" SQUARE RV BUMPER  
**MAX LOAD:** 30 LBS PER BIKE  
**ITEM:** 80605



# RV BUMPER RACK 4

**CARRIES:** 1, 2, 3 OR 4 BIKES

**FITS:** 4-4.5" SQUARE RV BUMPER  
**MAX LOAD:** 30 LBS PER BIKE  
**ITEM:** 80600



- Designed for 4" to 4.5" square RV bumpers\*, installs with 6" and 7" U-Bolts around the RV bumper
- Heavy duty steel construction with a black paint finish and powder-coated to resist corrosion
- Comes with steel U-Bolts to secure the rack to your bumper

- Upright bar in the center of the rack gives added support to your bikes while towing
- Simple to use and supports various bike sizes, frames and wheels
- \* Not for use on aluminum or spot welded bumpers



■ BUMPER RACK 2 CARRIES UP TO 2 BIKES



■ BUMPER RACK 4 CARRIES UP TO 4 BIKES

# HORIZONTAL BIKE BAG

**LOAD:** COVERS UP TO 2 BIKES

**FITS:** HITCH MOUNT RACK  
**ITEM:** 82006

- Covers up to 2 bikes
- Specially designed for bicycles that are mounted on a platform-style, hitch mounted bike rack
- Protect and hide your high value bikes



□ Super tough water resistant 420 D nylon



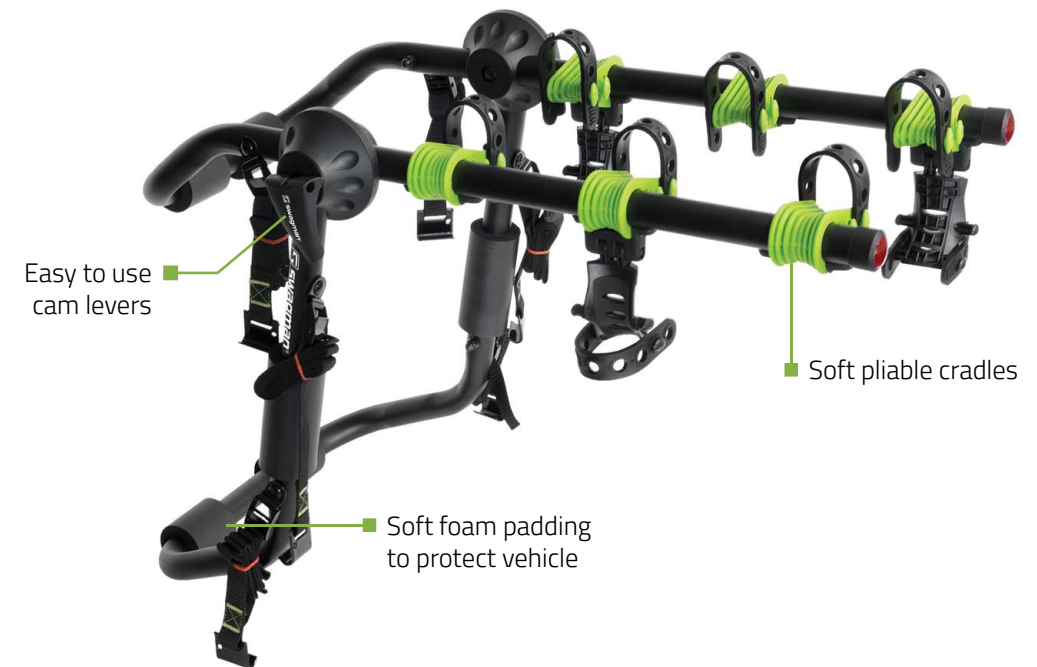
TRUNK RACKS



# GRIDLOCK

CARRIES: 1, 2 OR 3 BIKES

FITS: TRUNK MOUNT    MAX LOAD: 35 LBS PER BIKE    ITEM: 80310



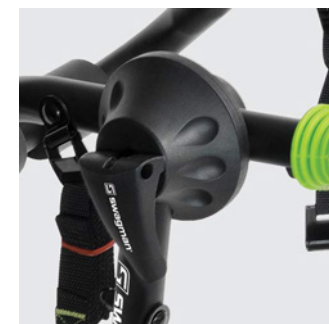
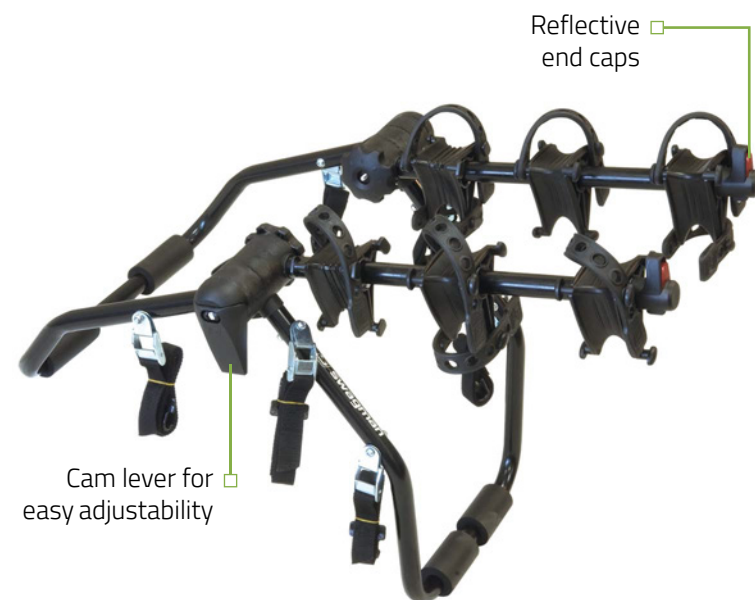
- Pliable and conforming anti-sway cradles prevent bike-to-bike contact
- Premium oversized steel tubing
- Fits up to 3 bikes
- Arms fold down for easy storage
- Integrated reflective end caps
- Fits a wide variety of vehicles and SUV's

# ST-ONE

CARRIES: 1, 2 OR 3 BIKES

FITS: TRUNK MOUNT  
MAX LOAD: 35 LBS PER BIKE  
ITEM: 80305

- New 3 way adjustable cam and lever fits most vehicles
- Pliable and conforming anti-sway cradles prevent bike-to-bike contact
- 6-strap system secures rack in place



■ EASY TO USE CAM LEVERS



■ SOFT PLIABLE CRADLES



■ SOFT FOAM PADDING TO PROTECT VEHICLE

ROOF RACKS



Official Bike Rack Supplier of the Canadian National Cycling Team



# RACE READY

CARRIES: 1 BIKE

FITS: UPRIGHT ROOF MOUNT    **MAX LOAD:** 45 LBS PER BIKE    **ITEM:** 64705



Locking ratcheting arm grabs the wheel

Adjustable wheel holder secures front tire

Rear wheel ratchet strap firmly holds bike and secures wheels

- Locking ratcheting arm grabs the wheel
- Fits all wheel sizes from 20" up to 5" fat tires
- Universal mount fits round, square and up to 3.5" oval cross bars
- Zero frame contact
- Additional 70 mm bolts included to fit larger diameter cross bars
- Rear wheel ratchet strap firmly holds bike and secures wheels
- Assembles in just a few minutes



■ ADJUSTABLE WHEEL HOLDER SECURES FRONT TIRE



■ RATCHET ARM FOLDS DOWN WHEN NOT IN USE

ROOF RACKS



# UPRIGHT ROOF RACK

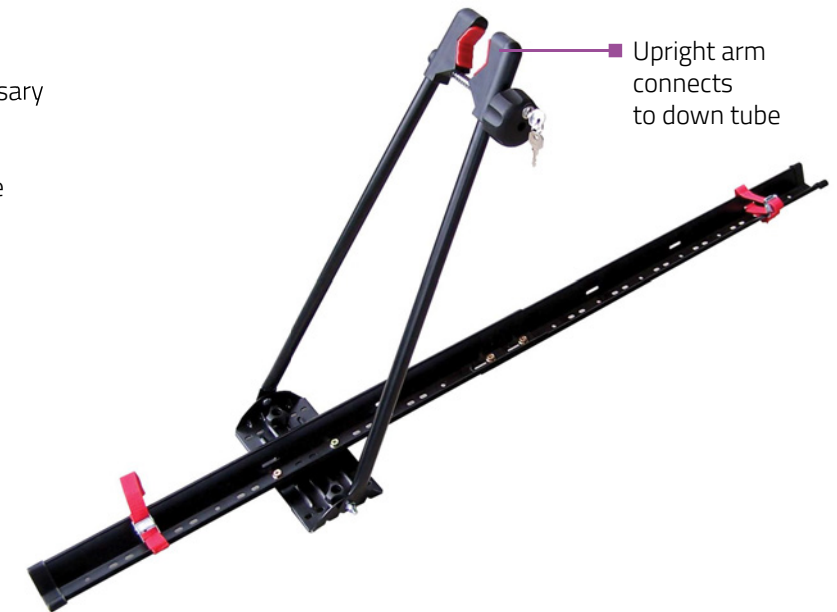
CARRIES: 1 BIKE

FITS: UPRIGHT ROOF MOUNT    **MAX LOAD:** 35 LBS PER BIKE    **ITEM:** 64720

- Carries one bike and no wheel removal necessary
- Versatile and lockable
- Tie-down straps for wheels included
- Fits square, round and oval bars up to 3" wide



■ UPRIGHT ARM CONNECTS TO DOWN TUBE



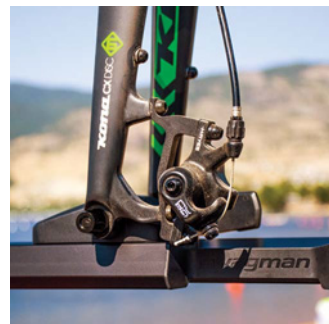
■ Upright arm connects to down tube

# ENFORCER

CARRIES: 1 BIKE

FITS: UPRIGHT ROOF MOUNT  
**MAX LOAD:** 45 LBS PER BIKE  
**ITEM:** 64704

- Locking 9 mm quick-release included
- Universal mount fits round, square and oval 3.5" cross bars
- Adjustable wheel tray fits most bike lengths but not tandems and recumbents
- Fits most disk brakes
- Tool free installation and removal
- Fits up to 4" wide tires
- 20 mm x 110 mm adaptor core sold separately (#64715)
- 15 mm x 150 mm fat bike adaptor core sold separately (#64716)
- 15 mm x 100 mm mountain bike adaptor core sold separately (#64717)
- 12 mm x 100 mm road/cyclocross disc adaptor sold separately (#64718)
- 15 mm x 110 mm Boost 110 adaptor core sold separately (#64719)



□ INTEGRATED LOCKING 9 MM FORK MOUNT



□ INCLUDES ALUMINUM ADAPTORS TO FIT 9 MM AND 15 MM X 100 MM AXLES



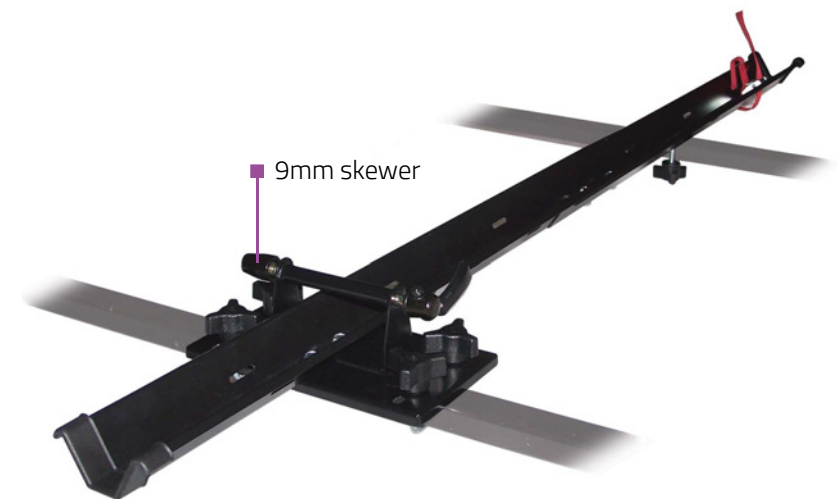
□ RATCHET STRAP SECURES REAR WHEEL

# STANDARD ROOF RACK

CARRIES: 1 BIKE

FITS: UPRIGHT ROOF MOUNT    **MAX LOAD:** 35 LBS PER BIKE    **ITEM:** 64710

- Fits square, round and oval bars up to 3" wide
- 9 mm skewer attaches to front fork of bicycle once the front wheel is removed
- Quick-release and tie-down straps for wheels are included



■ 9mm skewer

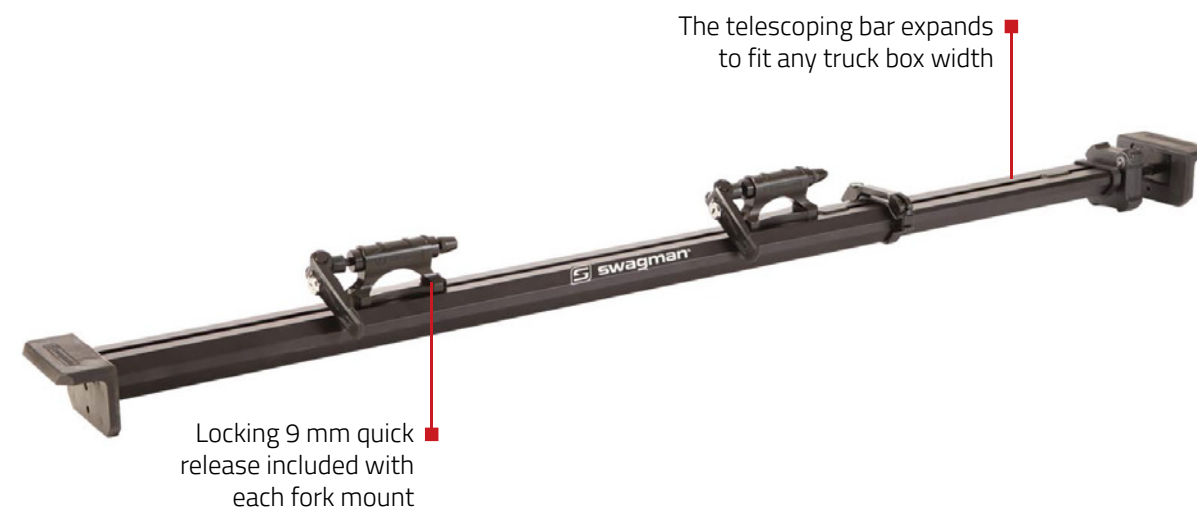
PICK UP RACKS



# PATROL

CARRIES: 1 OR 2 BIKES

FITS: PICK UP TRUCKS    MAX LOAD: 45 LBS PER BIKE    ITEM: 64701



The telescoping bar expands to fit any truck box width

Locking 9 mm quick release included with each fork mount

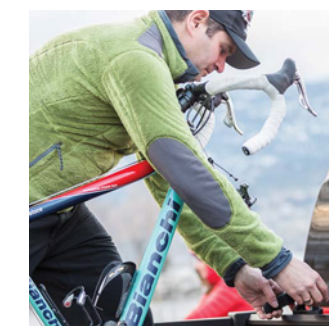
- Fits nearly all standard 9 mm quick release equipped bikes as well as 15 mm x 100 mm thru axle bikes
- Locking cam lever for easy secure fit
- Locking micro-adjust wheel for final fit against truck box walls
- Locking 9 mm quick release included with each fork mount
- Comes with 3 keys, keyed alike to fit all 4 locks (cam lever, adjust wheel & both fork mounts)
- Length: 45" – 68"
- Extra fork mount available sold separately (#64703 Impakt)
- 20 mm x 110 mm adaptor core sold separately (#64715)
- 15 mm x 150 mm fat bike adaptor core sold separately (#64716)
- 15 mm x 100 mm mountain bike adaptor core sold separately (#64717)
- 12 mm x 100 mm road/cyclocross disc adaptor sold separately (#64718)
- 15 mm x 110 mm Boost 110 adaptor core sold separately (#64719)



■ LOCKING 9 MM QUICK RELEASE INCLUDED



■ THE TELESCOPING BAR EXPANDS TO FIT ANY TRUCK BOX WIDTH



□ EASY AND SECURE FORK MOUNT



PICK UP RACKS



PICK UP  
CARRIES: 1 OR 2 BIKES

FITS: PICK UP TRUCKS MAX LOAD: 45 LBS PER BIKE ITEM: 64702



Integrated lock secures rack to truck bed

- Mounts across top of truck bed
- Adjusts to any size of truck bed
- Integrated lock secures rack to truck bed
- Transports up to 2 bikes
- Length: 54" – 62"

TAILWHIP TAILGATE PAD

FULL SIZE CARRIES: UP TO 5 BIKES

FITS: TRUCK TAILGATE

SIZE: 61" WIDE

ITEM: 64760

MID SIZE CARRIES: UP TO 4 BIKES

FITS: TRUCK TAILGATE

SIZE: 54" WIDE

ITEM: 64761

- Constructed with high density foam to protect your bike
- Lined with soft fleece to protect your vehicle
- Made from waterproof and ballistic tarpaulin ensuring durability
- Flap includes a clasp to keep the flap open when using a back up camera
- Includes Velcro straps to fasten your bikes to the integrated nylon daisy-chain webbing across the top of the pad
- Straps are made of nylon webbing for longer life when exposed to constant sun and weather
- Full size Tailwhip comes with 5 Velcro lash straps
- Mid size Tailwhip comes with 4 Velcro lash straps



OVER-SIZED TAILGATE POCKET ALLOWS FOR EASY ACCESS TO TAILGATE LATCH



ADDITIONAL TAILWHIP VELCRO STRAPS SOLD SEPARATELY (#64765)



STRATEGICALLY PLACED DAISY CHAINS ALLOW FOR VERSATILE BIKE PLACEMENT



WATER SPORTS



# FOLDING CONTOUR

CARRIES: SINGLE KAYAK

**FITS:** ROUND, SQUARE AND OVAL CROSS BARS  
**ITEM:** 65140

- Universal mount fits round, square and 3.5" crossbars
- Includes 2 tie-down straps with padded cam lock buckles, plus bow and stern straps
- Soft yet firm padding to protect boat
- Additional 10 mm bolts included to fit larger diameter cross bars
- Folds down flat while not in use for access to your garage and creates aerodynamic efficiency



# CONTOUR

CARRIES: SINGLE KAYAK

**FITS:** ROUND, SQUARE AND OVAL CROSS BARS  
**ITEM:** 65148

- Universal mount fits round, square and factory crossbars
- Additional 10 mm bolts included to fit larger diameter OEM bars
- Soft yet firm padding to help protect boat



Soft yet firm padding around nose to protect boat

- INCLUDES 2 TIE-DOWN STRAPS WITH CAM LOCK BUCKLES, PLUS BOW AND STERN STRAPS



# CORONADO

CARRIES: SINGLE KAYAK

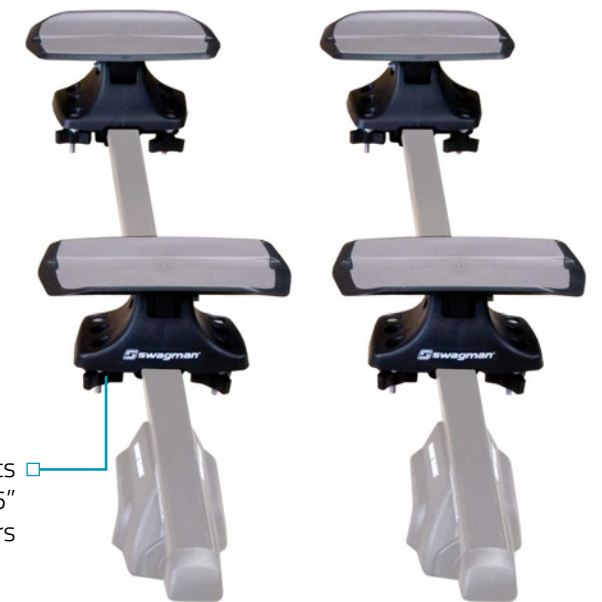
**FITS:** ROUND, SQUARE AND OVAL CROSS BARS  
**ITEM:** 65149

- Includes set of 4 saddles
- Saddle pivots to assist loading
- 2 tie-down straps with soft cam buckles included



■ SADDLES PIVOT

Universal mount fits round, square and 3.5" oval cross bars



WATER SPORTS

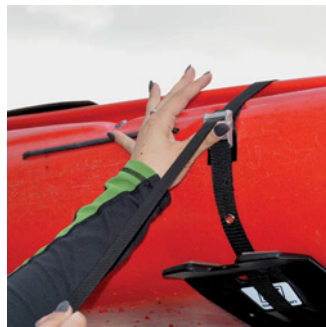
# EXO AERO

CARRIES: SINGLE KAYAK

FITS: ROUND, SQUARE AND OVAL CROSS BARS

ITEM: 65145

- Includes 2 tie-down straps with cam buckles and bow and stern straps
- Universal mount fits round, square and 3.5" oval cross bars
- 60 mm and 100 mm bolts included
- Includes 2 Exo Aero cradles to fit one kayak



■ TIE DOWN STRAPS SECURE BOAT TO RACK

□ Soft co-molded and form-fitting cradles



# HAULER

CARRIES: SINGLE KAYAK OR CANOE

FITS: ALL CANOES AND KAYAKS

ITEM: 65144

- This cart is for moving kayaks and canoes quickly
- Made with heavy duty powder coated aluminum
- Durable latex foam-filled tires
- Includes 2 tie-down straps



■ LARGE WHEELS MAKE IT EASY TO MOVE THROUGH SAND

□ The Hauler is made with aluminum and large wheels to handle a heavy load



# RINCON

CARRIES: SINGLE SUP OR KAYAK

FITS: ROUND, SQUARE AND OVAL CROSS BARS

ITEM: 65141

- Includes 2 tie down straps with padded cam lock buckles, plus bow and stern straps
- Universal mount fits round, square and 3.5" oval cross bars
- Additional 10 mm bolts included to fit larger diameter cross bars



□ PADDED SUPPORT CONFORM TO THE HULL FOR ADDED PROTECTION

□ Includes set of 4 dual pivoting saddles allowing easier loading



# VAPOR SURF & SUP

CARRIES: SINGLE SUP

FITS: AERO BAR FIT

SIZE SMALL: 18" WIDE

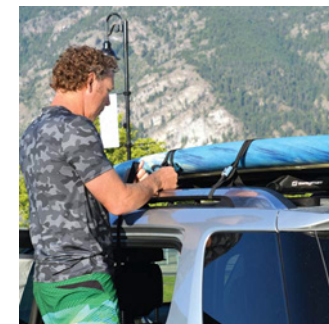
ITEM: 65160

FITS: AERO BAR FIT

SIZE LARGE: 24" WIDE

ITEM: 65161

- Includes soft yet firm, high density padding to protect your surfboard or SUP board
- Industrial strength Velcro secures pads to cross bars



■ SOFT FOAM PADS PROTECT SUP

18" small pads □



24" large pads □

**WATER SPORTS**

# TIE DOWNS

**CARRIES:** KAYAK, CANOE OR SUP

**FITS:** UNIVERSAL

**ITEM:** 65137

- Heavy duty cam style buckle
- Made from 1" Polypropylene webbing
- 10 ft. long
- Rubber cover protects cam buckle



Heavy duty buckle

# PROSPECTOR GUNWALE PADS

**CARRIES:** SINGLE CANOE

**FITS:** VEHICLE ROOF

**ITEM:** 65155

- Carries one canoe
- Ideal for use on a bare car roof
- Quick and economical way to transport your canoe
- Integrated non-skid underside helps protect vehicle's finish



Fits roof crossbars

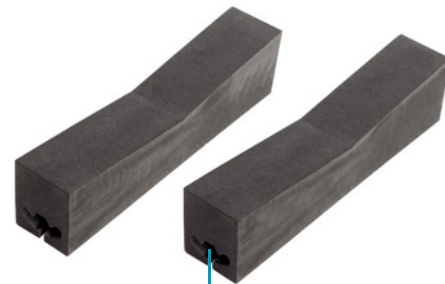
# COASTAL HULL PADS

**CARRIES:** KAYAK, CANOE OR SUP

**FITS:** VEHICLE ROOF

**ITEM:** 65156

- Carries one Canoe, Kayak, Surfboard or SUP board
- Ideal for use on a bare vehicle or crossbars roof
- Quick and economical way to transport your boat
- Integrated non-skid underside helps protect vehicle's finish



Fits roof crossbars

# JOURNEY

**CARRIES:** SINGLE SUP

**FITS:** WALL MOUNT

**ITEM:** 65142

- Soft yet firm padding to protect your SUP
- Includes all mounting hardware
- Fits all SUP sizes and shapes



■ SOFT PADDING TO PROTECT SUP



□ Saves space and folds against the wall when not in use

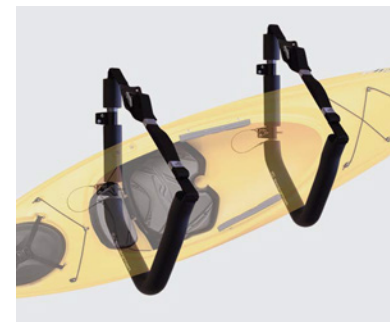
# TAJO

**CARRIES:** SINGLE KAYAK

**FITS:** WALL MOUNT

**ITEM:** 65146

- Soft yet firm padding to protect boat from scratching
- Includes two tie-down straps to secure kayak to rack
- Takes up less space and folds against wall when not in use
- Includes all mounting hardware



■ MOUNTS EASILY TO WALL



Soft protective padding

BIKE STORAGE

# HANG IT

LOAD: UP TO 2 BIKES

FITS: UPRIGHT STORAGE

ITEM: 80960

- Our handy bike storage hanger allows you to store 2 bikes anywhere in the room
- Expands to a max. height of 9 ft. to brace against the floor and ceiling
- Hooks can be set at varying heights and angles to hold almost any bike size or shape
- Quick and easy to put up and take down



Adjustable hooks support most bike sizes and shapes

# DOUBLE FOLDING WALL MOUNT

LOAD: UP TO 2 BIKES

FITS: WALL MOUNT STORAGE

ITEM: 80961

- Minimal assembly required
- Made of solid steel tubing and super tough powder coating
- Includes mounting hardware

Top shelf design can be used to store shoes and helmets



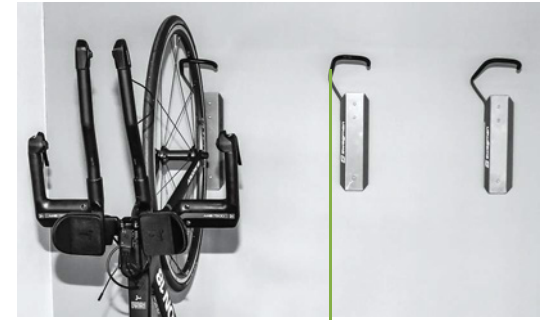
# HOOK IT

LOAD: 1 BIKE

FITS: WALL MOUNT STORAGE

ITEM: 80951

- Includes 4 mounting screws
- Fits all tire and rim sizes up to 3"



Heavy duty steel hook

# FOLD IT

LOAD: 1 BIKE

FITS: WALL MOUNT STORAGE

ITEM: 80955

- Store your bike when needed, then fold the storage unit up and out of the way when not in use
- Includes mounting hardware

Arm folds up when not in use



# FOLD IT DELUXE

LOAD: 1 BIKE

FITS: WALL MOUNT STORAGE

ITEM: 80956

- Store you bike when needed, then fold the storage unit up and out of the way when not in use
- Hook can be set at varying angles and widths to hold most bikes level
- Includes mounting hardware

Hook can be set at varying angles and widths



BIKE STORAGE

# X MOUNT

LOAD: 1 BIKE RACK

WALL MOUNT STORAGE ITEM: 80940



- Fits 2" receiver style bike racks and 1-1/4" with adapter
- Stores bike rack when not in use
- Folds against wall when not in use



□ FITS RECEIVER STYLE BIKE RACKS

# PARK CITY

LOAD: UP TO 6 BIKES

FLOOR STAND STORAGE

ITEM: 64016

- Quick and easy to assemble
- Fits all tire sizes
- Continuous steel construction

Fits all tires sizes



# PARK 3

LOAD: UP TO 3 BIKES

FLOOR STAND STORAGE

ITEM: 64018

- A simple solution for bike storage
- Made of heavy duty steel tubing



Heavy duty steel tubing



□ MULTIPLE UNITS CAN BE ADDED TO HOLD ADDITIONAL BIKES

# PARK 6

LOAD: UP TO 6 BIKES

FLOOR STAND STORAGE

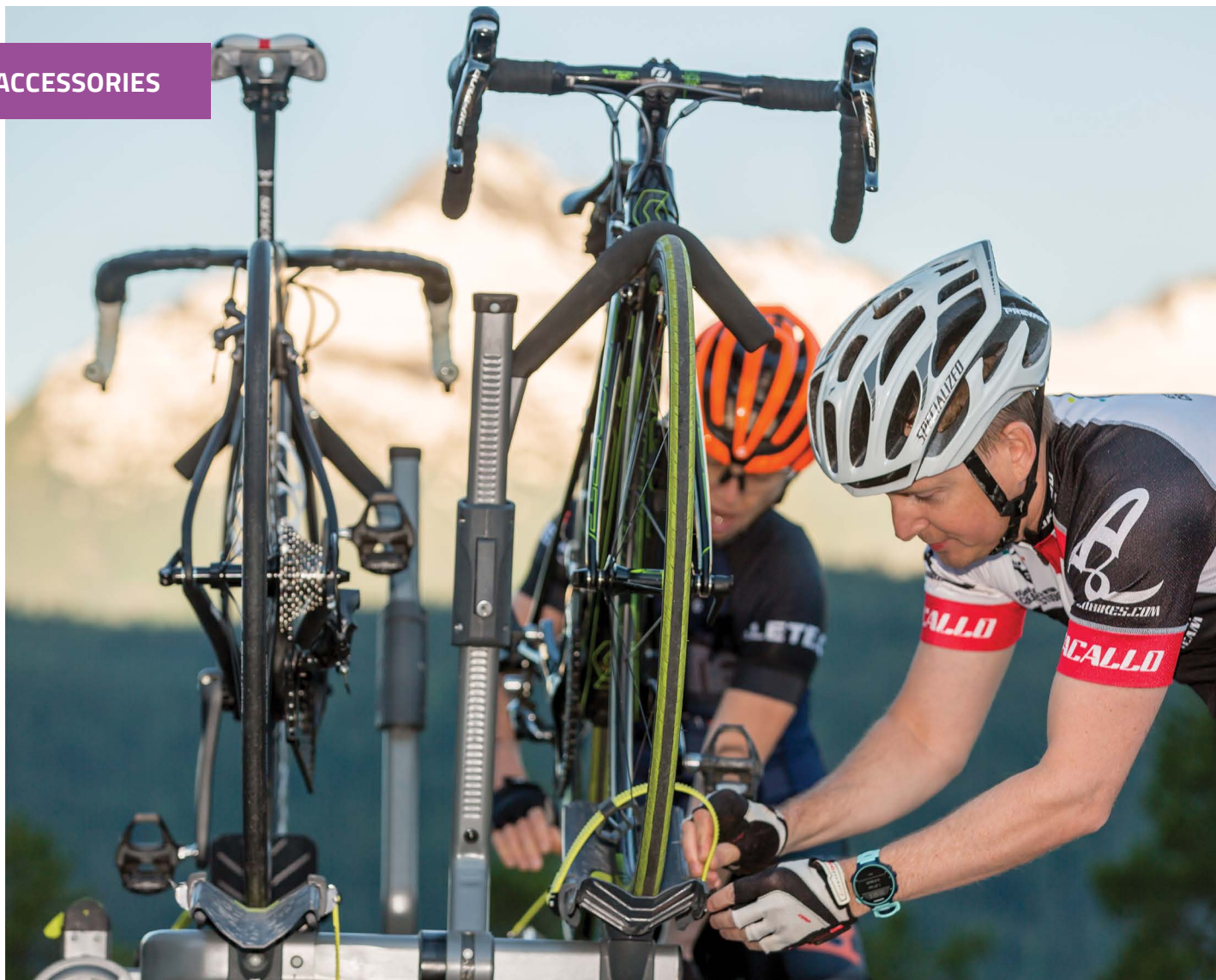
ITEM: 64019

- A simple solution for bike storage
- Made of heavy duty steel tubing

Fits up to 6 bikes



ACCESSORIES



# IMPAKT

CARRIES: 1 BIKE

**FITS:** PICK UP BOX OR OTHERS  
**MAX LOAD:** 45 LBS PER BIKE  
**ITEM:** 64703

- Includes aluminum adaptors to fit 9 mm and 15 mm x 100 mm axles
- Theft resistant torque wrench and bolts included
- 20 mm x 110 mm adaptor core sold separately (#64715)
- 15 mm x 150 mm fat bike adaptor core sold separately (#64716)
- 15 mm x 100 mm mountain bike adaptor core sold separately (#64717)
- 12 mm x 100 mm road/cyclocross disc adaptor sold separately (#64718)
- 15 mm x 110 mm Boost 110 adaptor core sold separately (#64719)



Full cast aluminum one piece design

# CLAW

CARRIES: 1 BIKE

**FITS:** FORK ROOF MOUNT  
**MAX LOAD:** 45 LBS PER BIKE  
**ITEM:** 64700

- Quick release
- Easy to use and great for pick-ups or SUV's
- Fits 9 mm axles



Quick release

# ADAPTOR CORES

**FITS:** ADAPTOR  
 20 MM X 110 MM  
**ITEM:** 64715

**FITS:** FAT BIKE  
 ADAPTOR  
 15 MM X 150 MM  
**ITEM:** 64716

**FITS:** MOUNTAIN  
 BIKE ADAPTER  
 15 MM X 100 MM  
**ITEM:** 64717

**FITS:** ROAD/  
 CYCLOCROSS  
 DISC ADAPTOR  
 12 MM X 100 MM  
**ITEM:** 64718

**FITS:** BOOST 110  
 ADAPTOR  
 15 MM X 110 MM  
**ITEM:** 64719



□ For use in Impakt/Patrol & Enforcer models

ACCESSORIES

# SPIRE

**CARRIES:** 1 BIKE

**FITS:** FORK ROOF MOUNT  
**MAX LOAD:** 45 LBS PER BIKE  
**ITEM:** 64706

- Full aluminum one piece design
- Fits 15 and 20 mm axles
- Includes aluminum adaptors to fit 15 and 20 mm axles
- Boost fork adaptors available sold separately (#64708)



■ FITS 15 AND 20 MM AXLES

Full aluminum one piece design



# DELUXE BAR ADAPTER

**CARRIES:** 1 BIKE

**FITS:** TELESCOPIC BAR  
**ITEM:** 64005

- The Deluxe Bar Adapter creates a horizontal cross bar for bikes so they can be mounted onto racks that require a top horizontal tube
- Adapter comes equipped with vinyl-coated hangers
- User friendly quick release
- Adjusts from 19" to 26"

Telescopic bar fits multiple bike sizes



# 5/8" PIN & CABLE

**LOAD:** THREADED 5/8" CLASS 3 LOCKING HITCH PIN

**FITS:** CLASS 3 – 2" RECEIVERS  
**ITEM:** 64030

- Premium chrome plated for maximum rust protection
- 8.5 ft. long 10 mm security cable with hitch pin adapter



□ 5/8" THREADED HITCH PIN



□ High security key allows for easy access with only a half-turn to unlock

# 1/2" PIN & CABLE

**LOAD:** THREADED 1/2" CLASS 1 & 2 LOCKING HITCH PIN

**FITS:** CLASS 1 & 2 – 1-1/4" AND 2" UNIVERSAL MOUNT  
**ITEM:** 64031

- Premium chrome plated for maximum rust protection
- 7.5 ft. long 10 mm security cable with hitch pin adapter



□ 1/2" THREADED HITCH PIN



High security key allows for easy access with only a half-turn to unlock



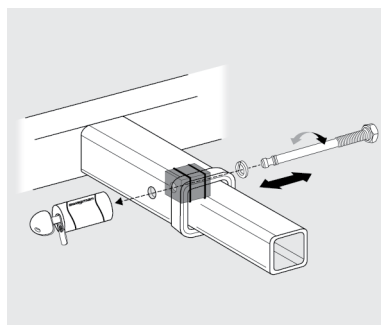
## ACCESSORIES

## 5/8" HITCH PIN

**LOAD:** THREADED 5/8" CLASS 3  
LOCKING HITCH PIN

**FITS:** 2" RECEIVERS  
**ITEM:** 64027

- Premium chrome plated for maximum rust protection
- Unique hidden pin cylinder for weather protection
- Fits 2" receiver hitch only



■ FITS 2" RECEIVER HITCH



- High security key allows for easy access with only a half-turn to unlock

## 1/2" HITCH PIN

**LOAD:** THREADED 1/2" CLASS 1 & 2  
LOCKING HITCH PIN

**FITS:** 1-1/4" AND 2" UNIVERSAL MOUNT  
**ITEM:** 64029

- High security key allows for easy access with only a half-turn to unlock
- Unique hidden pin cylinder for weather protection
- All 1-1/4" hitches will take a 1/2" hitch pin
- Hitch pin must be tightened with a wrench
- 1/2" - 12 UNC thread



- Premium chrome plated for maximum rust protection

## TO-GO CLIP

**CARRIES:** SINGLE BOTTLE

**ATTACHES:** UNIVERSAL CLAMP  
**ITEM:** 80980

- When you want to take your favourite beverage "to go"
- Easy to use clip can be attached to your bike handle bars or baby stroller
- Fits coffee mugs and beverage cans
- Easy installation



■ EASY TO USE CLIP MOUNT



## 1/2" HITCH PIN

**LOAD:** THREADED 1/2" CLASS 1 & 2  
LOCKING HITCH PIN

**FITS:** 1-1/4" AND 2" UNIVERSAL MOUNT  
**ITEM:** 64029

- High security key allows for easy access with only a half-turn to unlock
- Unique hidden pin cylinder for weather protection
- All 1-1/4" hitches will take a 1/2" hitch pin
- Hitch pin must be tightened with a wrench
- 1/2" - 12 UNC thread



- Premium chrome plated for maximum rust protection

## ANOTHER TO-GO CLIP

**CARRIES:** SINGLE BOTTLE

**ATTACHES:** UNIVERSAL CLAMP  
**ITEM:** 80982

- Take your favorite beverage "to go"
- Easy to use clip can be mounted anywhere such as handle bars or on baby strollers
- Fits standard sized coffee mugs and beverage cans
- Easy installation
- Universally adjustable clamp
- Easy to level rotating clip



## ACCESSORIES



## FAT BASKET

**FITS:** MOST PANNIER RACKS

**ITEM:** 80972

- Easily folds away when not in use
- Large basket 33 cm x 22 cm x 22 cm
- Easy to install & fits most pannier racks



## RETRO BASKET

**FITS:** MOST BIKE HANDLE BARS

**MAX LOAD:** 12 LBS

**ITEM:** 90004

- Weather-resistant construction, finely woven plastic coated steel basket
- Ideal for holding shopping items, groceries, small pets and other personal items while riding
- Adjustable handle for carrying off the bike, and for transporting items while riding
- Carries up to 12 lbs.



## THE OKANAGAN

**FITS:** MOST BIKE HANDLE BARS

**ITEM:** 90025

- Made of genuine coated wicker
- Detachable and easy to mount to your bike
- The ultimate commuter shopping basket
- Deluxe universal QR adapter



**COMMERCIAL RACKS**

# THE BACKBONE

**LOAD: 1 OR 2 BIKES**

**ITEM: 75090**

- Accepts bikes on either side of the rack or through the middle for a wheel up to 4.5"
- Fits nearly all bike designs
- Unique contemporary design
- Mounting hardware included, additional mounting hardware may be required depending on mounting surface
- 20" Length x 33.3" Height x 4.5" Width



Zinc plated steel with a durable powder coat in pewter colour

# POSTIE

**LOAD: 1 OR 2 BIKES**

**ITEM: 75095**

- Fits nearly all bike designs
- Zinc plated steel with a durable powder coat in pewter colour
- Mounting hardware included, additional mounting hardware may be required depending on mounting surface
- 19" Length x 32" Height x 2.5" Width

Unique contemporary design



## COMMERCIAL RACKS

CITY  
SERIES 4

LOAD: UP TO 4 BIKES

FITS: ALL TIRE SIZES

ITEM: 7504S

- Premium chrome plated for maximum rust protection
- Unique hidden pin cylinder for weather protection

CITY  
SERIES 8

LOAD: UP TO 8 BIKES

FITS: ALL TIRE SIZES

ITEM: 7504D

- Dual sided and fits up to 8 bicycles
- Zinc and powder coated for exceptional corrosion resistance
- Quick and easy assembly
- Fits all bikes and tire sizes
- Dimensions 47" wide x 29" high x 36.5" deep

CITY  
SERIES 5

LOAD: UP TO 5 BIKES

FITS: ALL TIRE SIZES

ITEM: 7505S

- Single sided and fits up to 5 bicycles
- Zinc and powder coated for exceptional corrosion resistance
- Quick and easy assembly
- Fits all bikes and tire sizes
- Dimensions 45" wide x 29" high x 29.5" deep

CITY  
SERIES 10

LOAD: UP TO 10 BIKES

FITS: ALL TIRE SIZES

ITEM: 7505D

- Dual sided and fits up to 10 bicycles
- Zinc and powder coated for exceptional corrosion resistance
- Quick and easy assembly
- Fits all bikes and tire sizes
- Dimensions 51" wide x 29" high x 36.5" deep

CITY  
SERIES 6

LOAD: UP TO 6 BIKES

FITS: ALL TIRE SIZES

ITEM: 7506S

- Single sided and fits up to 6 bicycles
- Zinc and powder coated for exceptional corrosion resistance
- Quick and easy assembly
- Fits all bikes and tire sizes
- Dimensions 67" wide x 29" high x 29.5" deep

CITY  
SERIES 12

LOAD: UP TO 12 BIKES

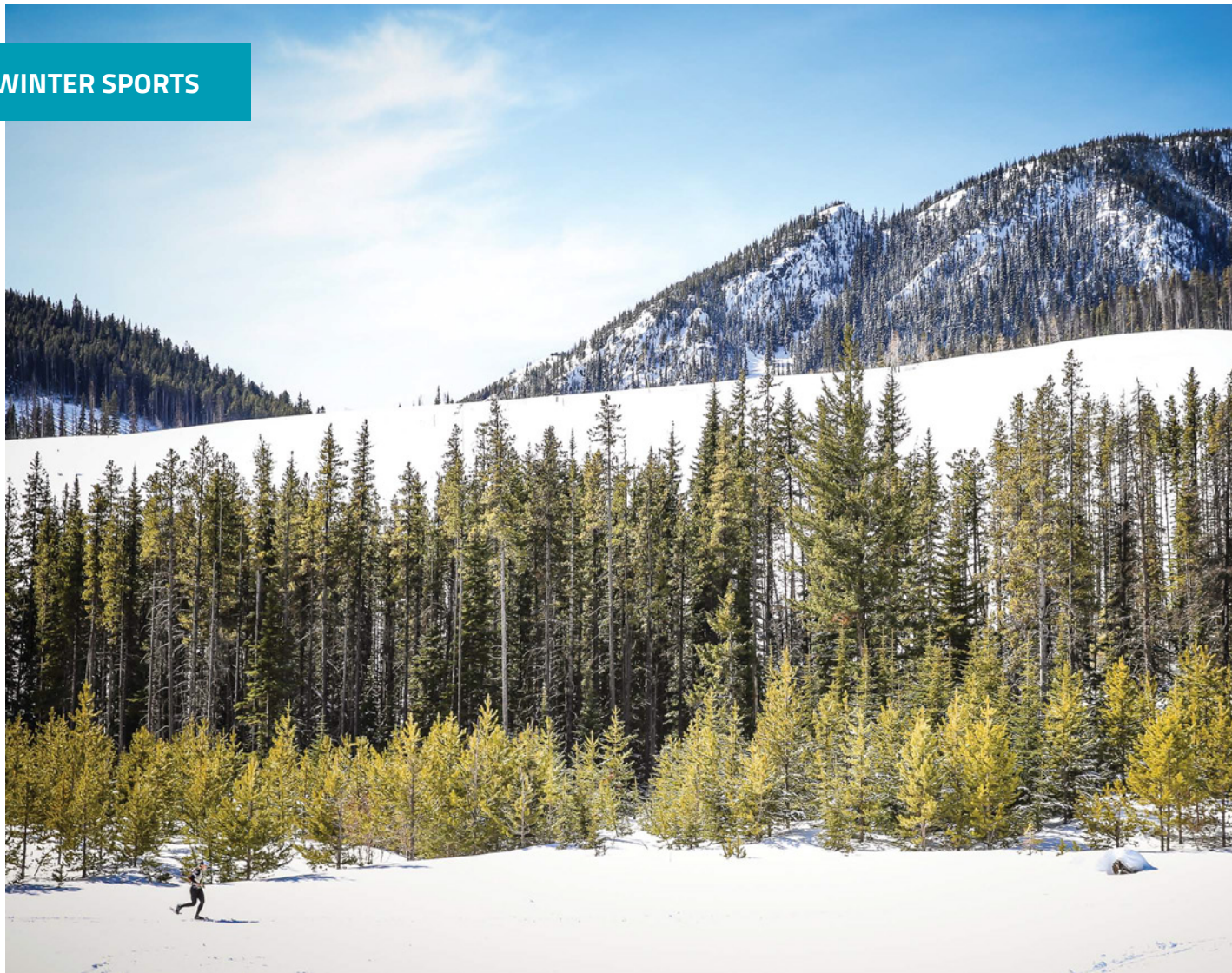
FITS: ALL TIRE SIZES

ITEM: 7506D

- Dual sided and fits up to 12 bicycles
- Zinc and powder coated for exceptional corrosion resistance
- Quick and easy assembly
- Fits all bikes and tire sizes
- Dimensions 70" wide x 29" high x 36.5" deep



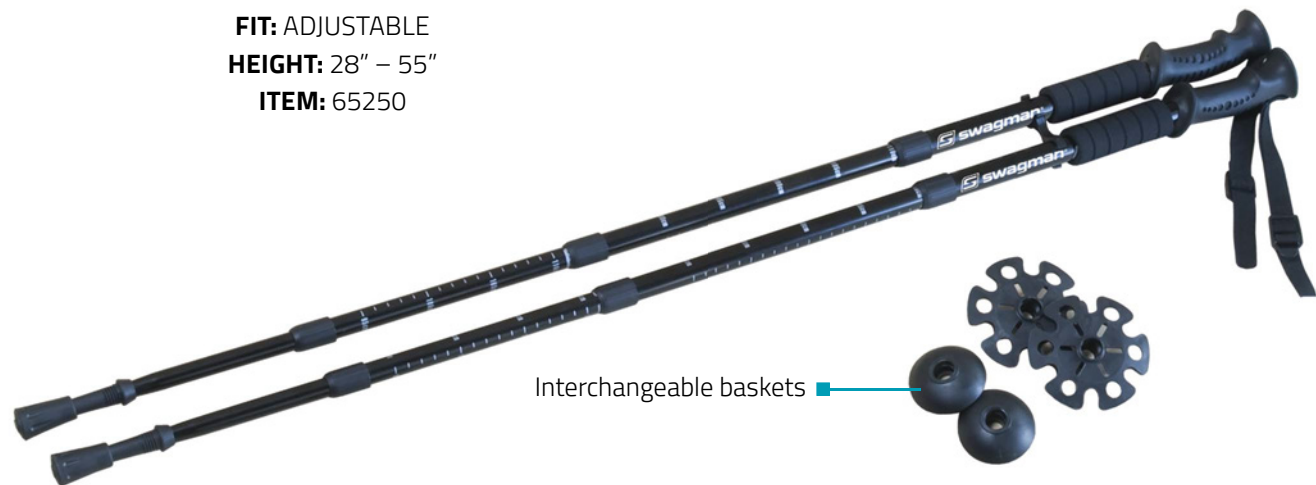
WINTER SPORTS



# VAGABOND TREKKING POLES

**FIT:** ADJUSTABLE  
**HEIGHT:** 28" – 55"  
**ITEM:** 65250

- Internal shock absorbing system
- 3-section micro-adjustable telescoping shaft extends from 28" – 55"
- Lightweight T6 6000 series aluminum
- Ergonomic handle and adjustable wrist band



Interchangeable baskets

# PROFORM SNOWSHOES

**SIZE:** MEDIUM  
**MAX LOAD:** 80 TO 160 LBS  
**ITEM:** 65200

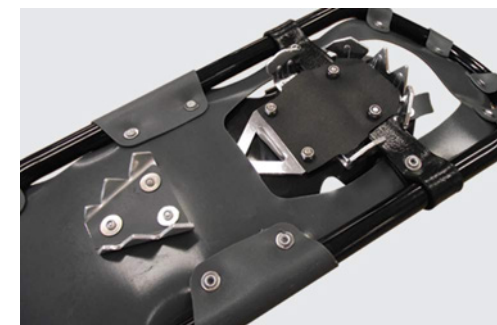
**SIZE:** LARGE  
**MAX LOAD:** 120 TO 200 LBS  
**ITEM:** 65205

**SIZE:** X-LARGE  
**MAX LOAD:** 200 TO 300 LBS  
**ITEM:** 65215

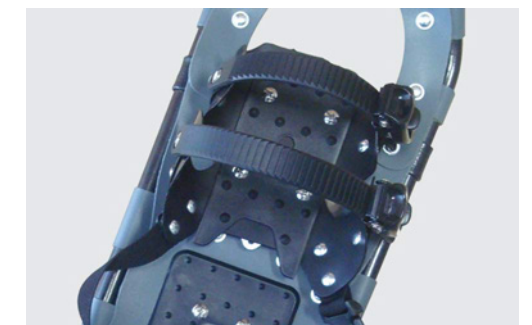
Tough and abrasion-resistant deck



- Lightweight T6 6000 series aluminum frame
- Tough and abrasion-resistant deck for temps to -50°C
- Glove-friendly micro-adjustable ratchet-buckle system
- Aluminum front-and rear-claw design reduces snow and ice build-up



■ TOE AND HEEL ALUMINUM CRAMPON PROVIDES TRACTION ON HARD SNOW



■ RATCHETING STRAPS PROVIDE AN EASY WAY TO GET IN AND OUT OF SNOWSHOES AND ADJUST FOR FIT

MERCHANDISE



VINTAGE  
Black Grey



VINTAGE  
Navy BlueGrey



WOODY  
Black BlueGrey



WOODY  
Black Grey



WOODY  
Navy StoneGrey



DARWIN  
Black Lime



DARWIN  
Blue Blue



DARWIN  
Grey Sand



GREAT OUTDOORS  
Grey Grey



GREAT OUTDOORS  
Navy Green



HAPPY TRAILS  
Heather Blue



HAPPY TRAILS  
Galapagos Green



TAKE IT EASY  
Heather Blue



PEACH CITY  
Heather Blue



PEACH CITY  
Purple



SKAHA BACKPACK  
ITEM: 69800



SWAGMAN CHAMBRAY CAP  
High Crown & Low Crown



SWAGMAN CAP  
High Crown & Low Crown



WATER BOTTLE  
ITEM: 69023



COFFEE MUG  
ITEM: 69022



COFFEE MUG  
ITEM: 69021



BIG RING BEANS  
ITEM: 69025

POINT OF PURCHASE



DELUXE POP STAND

SIZE: HOLDS 3 RACKS  
ITEM: 65200



SWAGMAN LARGE DEALER BANNER

SIZE: 72" X 40"  
ITEM: 69030



SWAGMAN MEDIUM DEALER BANNER

SIZE: 56" X 22"  
ITEM: 69031



SWAGMAN DEALER SIGN

SIZE: 36" X 22"  
ITEM: 69032



SWAGMAN DEALER DECAL

SIZE: 20" X 3"  
ITEM: 69035



SWAGMAN DECAL

SIZE: 8" X 6"  
ITEM: 69036







Shop for other bike racks on our website.