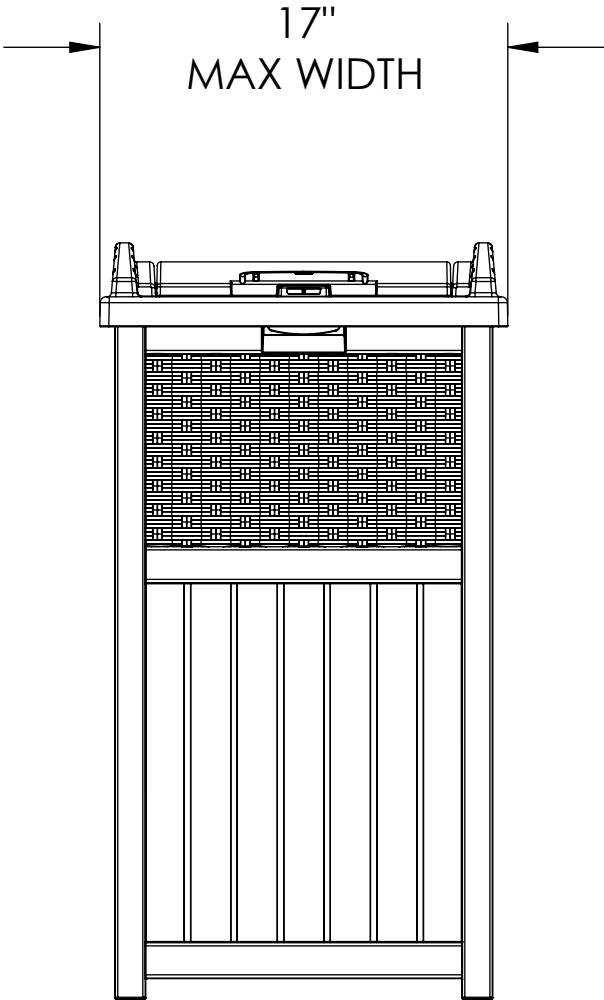
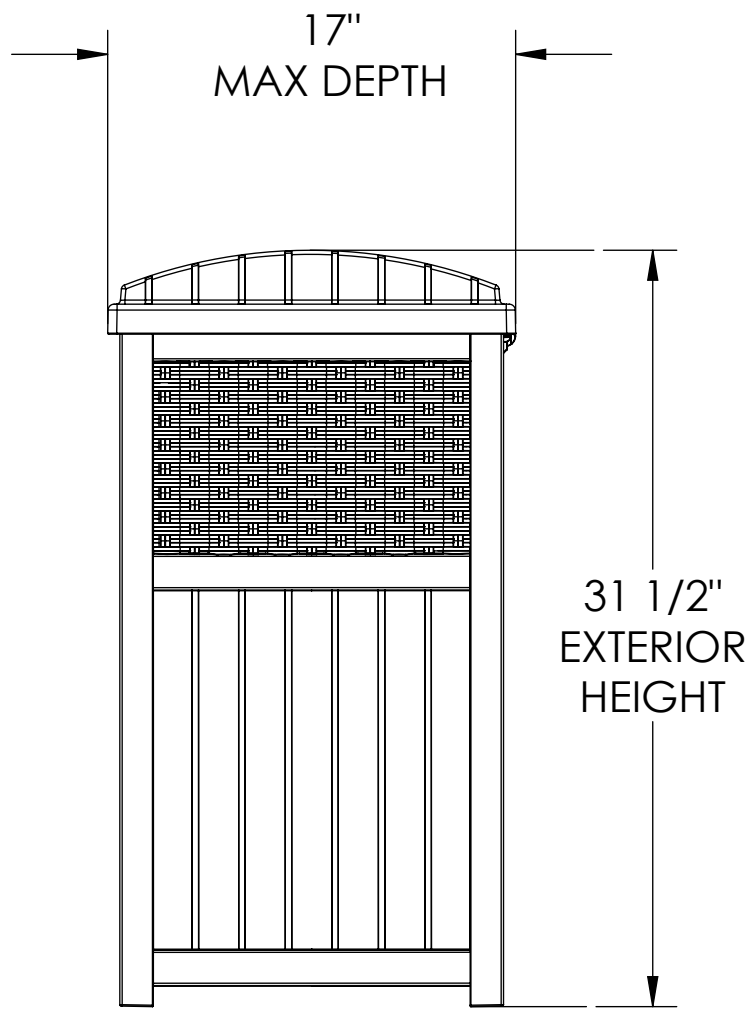
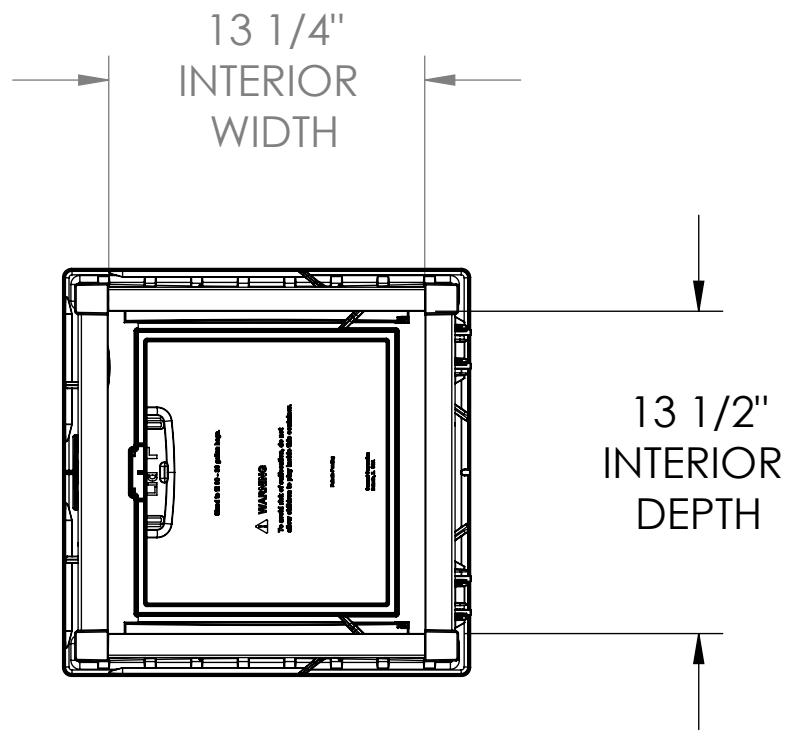


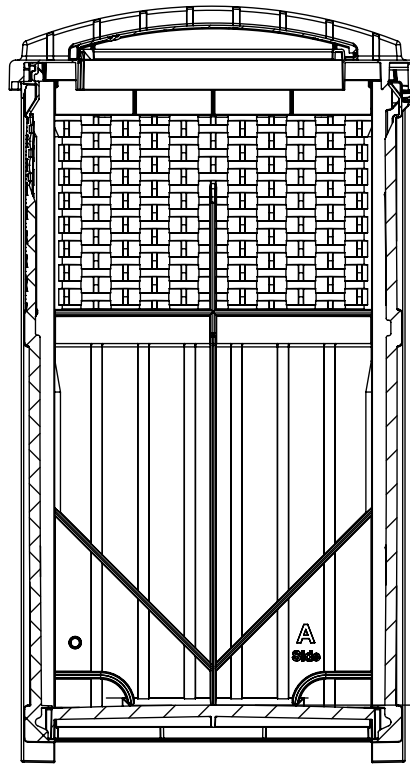
**GH1732/J**  
**FRONT VIEW**

**VOLUME: 3.0 CU .FT.**  
**23 GAL**  
**Maximum Capacity**









26 3/4"  
INTERIOR  
HEIGHT