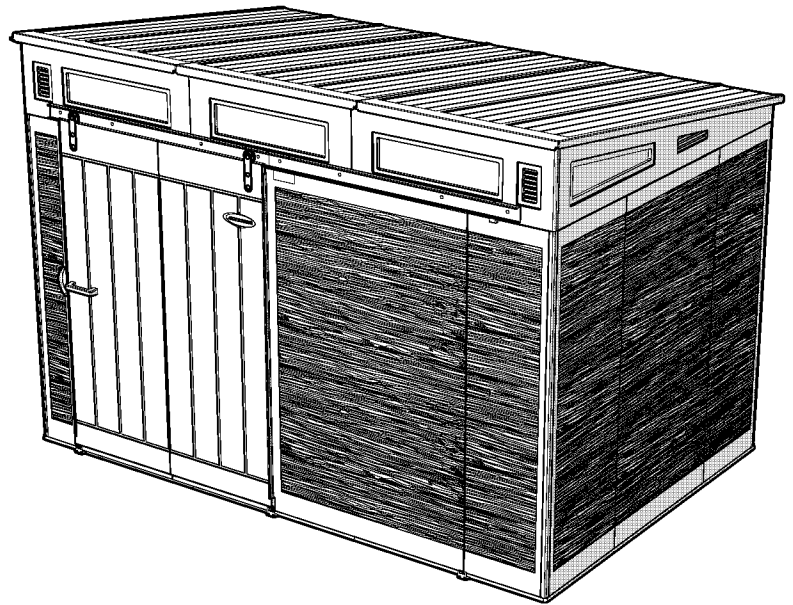
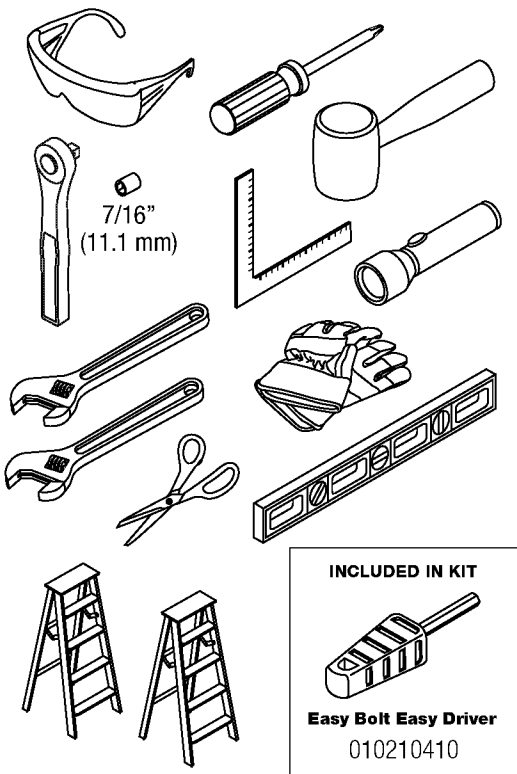


BMS9000 Barn Door Shed

ASSEMBLY INSTRUCTIONS



Tools Required



Scan QR Code for product assembly video.



Smart. Inside & Out®

Register your product for Limited Warranty!

Must register product within 90 days of purchase for limited warranty



www.suncast.com/warranty or call US 1 (800) 846-2345

Have Questions?

We are here to help. Check out our resource library along with helpful tips, videos and FAQ's.

You may call the Contact Center directly at: 1 (800) 846-2345 or write
Suncast Corporation, Contact Center, 701 N. Kirk Road, Batavia, IL 60510 (USA)



Before You Begin...

- **Consult your local authorities for any permits required to construct shed.**
Prior to the construction of your shed, check with the local building code official to review any required permits or building limitations.
- **A level and sturdy foundation is required before shed construction can begin.**
Site preparation information is available on pages 11-12. A foundation that differs from the suggestions within this manual could prevent proper assembly and may damage parts.
- **Read instructions thoroughly prior to assembly.**
This kit contains parts that can be damaged if assembled incorrectly or in the wrong sequence.
- **Please follow instructions.**
Suncast is not responsible for replacing parts lost or damaged due to incorrect assembly.
- **Assistance is required during entire assembly.**



IMPORTANT

IF FOUNDATION IS REQUIRED, COMPLETE SITE PREPARATION AND FOUNDATION CONSTRUCTION BEFORE UNPACKING ALL PARTS.

OPEN ALL BOXES FIRST AND NEATLY LAYOUT PARTS. SMALL PARTS MAY BE CONTAINED IN EACH BOX. PLEASE REFERENCE THE PARTS LIST WITHIN THIS MANUAL TO VERIFY ALL PARTS ARE PRESENT.



Caution

- Proper site preparation required.
- Shed not intended for use in extreme weather conditions.
- Shed not intended for storage of flammable or caustic chemicals.
- Store heavy items near the bottom of shed.
- Shed not intended for use by children.
- Do not stand, sit, or store items on storage shed roof.
- Treat carefully in extreme temperatures.
- Repair or replace broken parts immediately.
- Suncast is not responsible for damage caused by weather or misuse.
- At regular intervals, inspect your shed to make sure that assembly integrity has been maintained.
- Periodically check that the location you have chosen to set your shed is still level.
- This kit contains parts with metal edges. Please be careful when handling.

Suncast Products and Replacement Parts

To purchase Suncast replacement parts and learn about other Suncast products, visit us online or call.



www.suncast.com



1-800-846-2345 or 1-630-879-2050



Care Instructions

- Hot items, such as recently used grills, blowtorches, etc., must not be stored in the shed.
- Heavy articles should not be leaned against the walls, as this may cause panel distortion and permanent damage.
- Keep roof clean of snow and leaves.
- Your product is made of materials that will withstand outdoor use. Exposure to the elements (such as dust, plant and animal life, moisture and sunlight) encourages moss, algae, and mold to grow on outdoor items. To maintain the look of your product, we recommend cleaning it each year with mild soap and water. **DO NOT** use bleach, ammonia, or other caustic cleaners, and **DO NOT** use stiff bristle brushes. Failure to perform annual cleaning could result in permanent staining of the plastic. This is not a manufacturing defect and is not covered under warranty.



Assembly Day Tips

- Complete site preparation and foundation construction before unpacking parts and beginning assembly.
- **DO NOT** attempt to assemble on a day with strong winds.
- **DO NOT** attempt to assemble on days when temperature is below 32 degrees.
- Set aside appropriate amount of time to completely assemble shed.
- Make sure you have assistance nearby to lift and secure parts in place.
- Wear light duty work gloves while assembling shed.
- Once roof is assembled, a flashlight may be of use when assembling smaller components inside shed.
- **DO NOT** use a power drill to tighten provided Easy Bolts. Use 010210410 Easy Bolt Easy Driver tool (provided) **ONLY**.
- Suncast provides extra hardware for small fasteners for customer convenience. In some cases, there will be extra small fasteners once the assembly is complete.

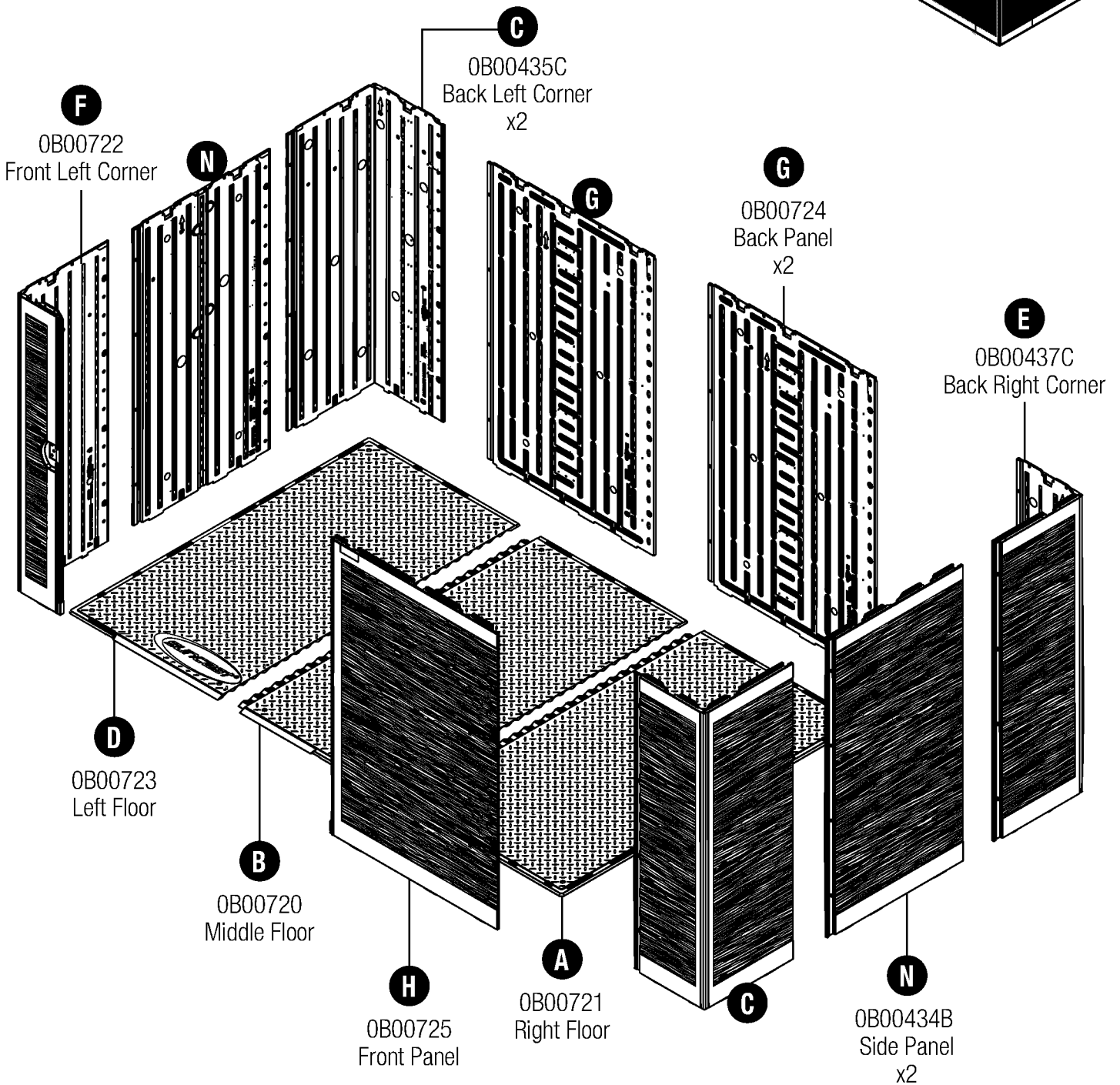
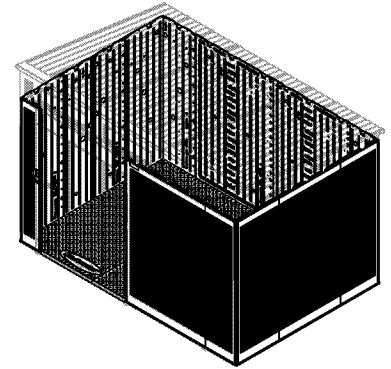
Note: This product contains parts that are used in different orientations to construct the shed. Please take note of the orientation of the parts shown throughout this instruction manual. Failure to follow instructions could result in damage to parts. Suncast is not responsible for replacing parts lost or damaged due to incorrect assembly.

Walls and Floors

IMPORTANT

IF FOUNDATION IS REQUIRED, COMPLETE SITE PREPARATION AND FOUNDATION CONSTRUCTION BEFORE UNPACKING ALL PARTS.

OPEN ALL BOXES FIRST AND NEATLY LAYOUT PARTS. SMALL PARTS MAY BE CONTAINED IN EACH BOX. PLEASE REFERENCE THE PARTS LIST WITHIN THIS MANUAL TO VERIFY ALL PARTS ARE PRESENT.

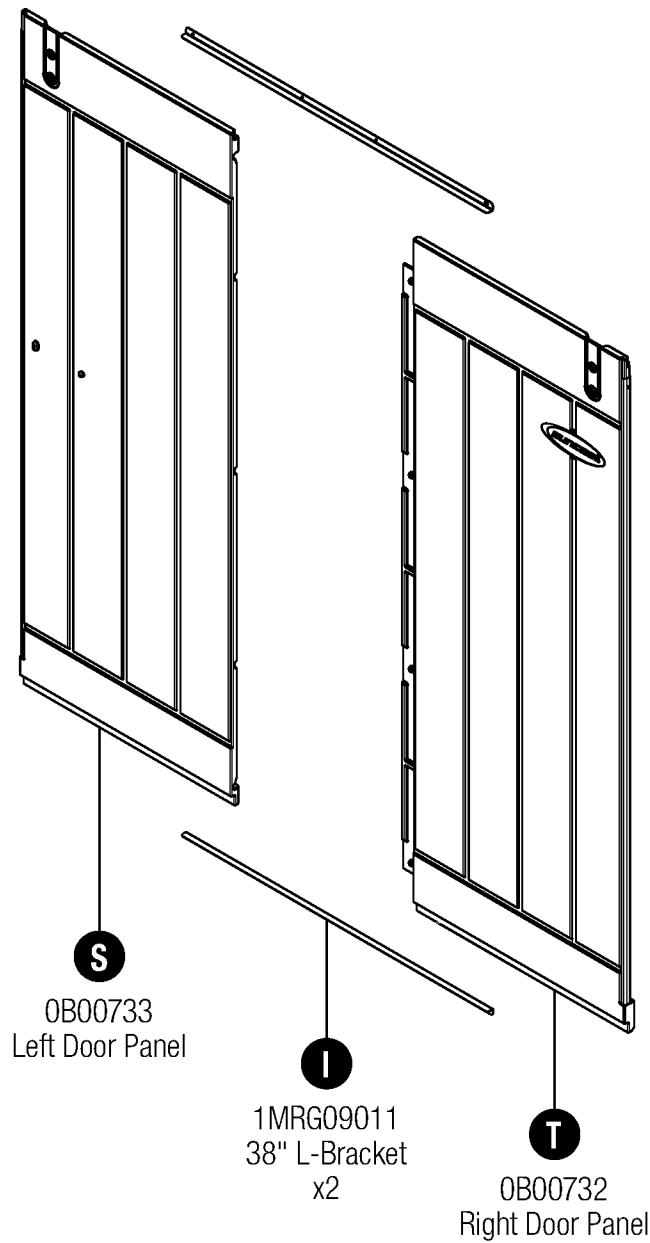
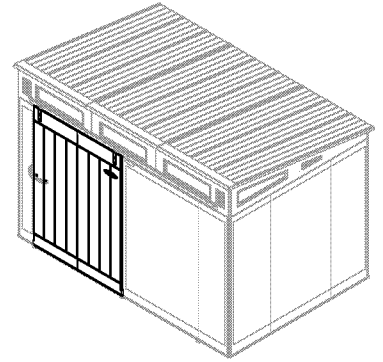


Sliding Doors

IMPORTANT

IF FOUNDATION IS REQUIRED, COMPLETE SITE PREPARATION AND FOUNDATION CONSTRUCTION BEFORE UNPACKING ALL PARTS.

OPEN ALL BOXES FIRST AND NEATLY LAYOUT PARTS. SMALL PARTS MAY BE CONTAINED IN EACH BOX. PLEASE REFERENCE THE PARTS LIST WITHIN THIS MANUAL TO VERIFY ALL PARTS ARE PRESENT.



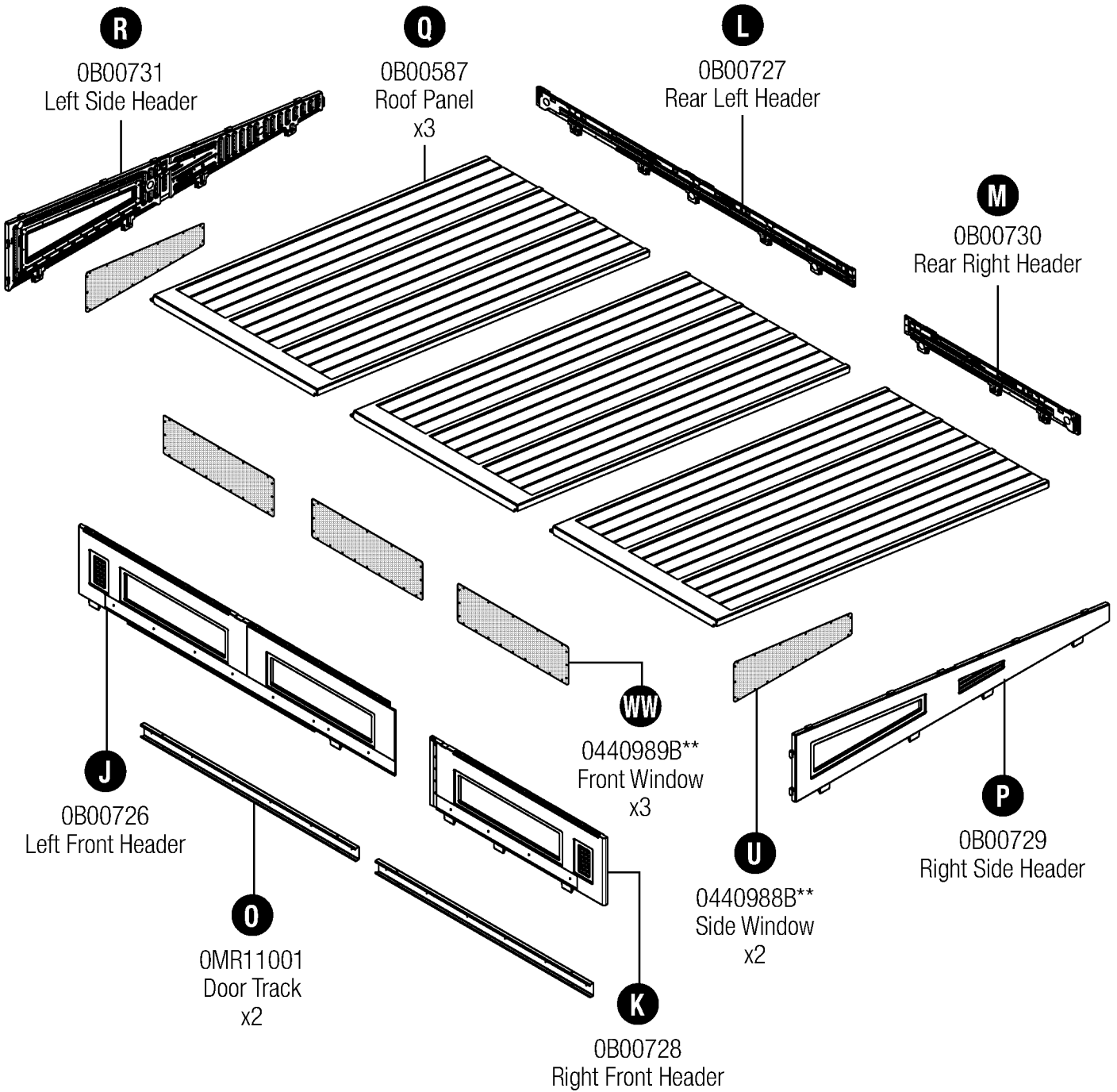
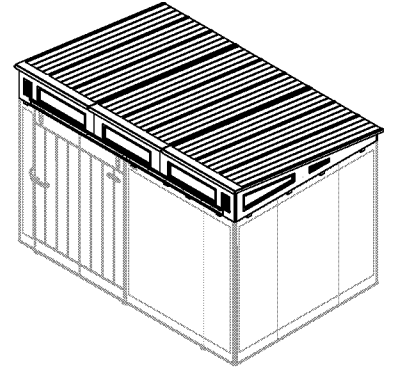
Roof - Headers - Windows - Door Track

IMPORTANT

IF FOUNDATION IS REQUIRED, COMPLETE SITE PREPARATION AND FOUNDATION CONSTRUCTION BEFORE UNPACKING ALL PARTS.

OPEN ALL BOXES FIRST AND NEATLY LAYOUT PARTS. SMALL PARTS MAY BE CONTAINED IN EACH BOX. PLEASE REFERENCE THE PARTS LIST WITHIN THIS MANUAL TO VERIFY ALL PARTS ARE PRESENT.

****0441006 window 5-pack**

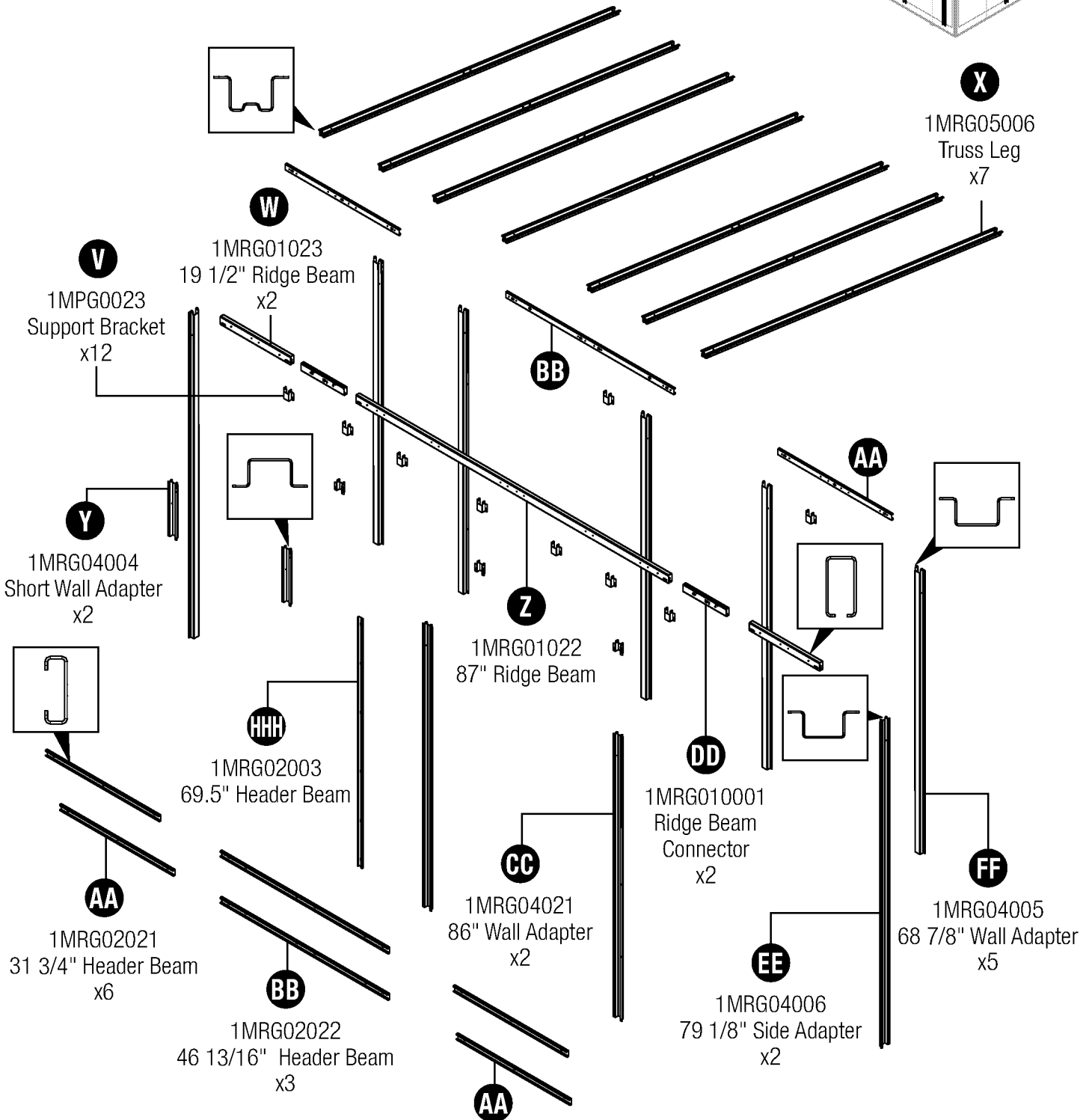
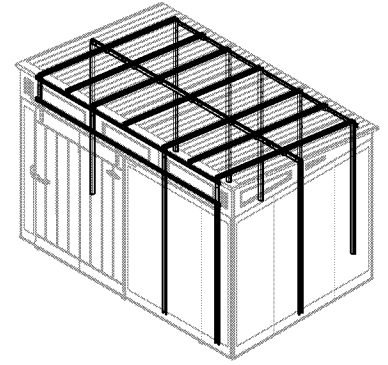


Steel Frame

IMPORTANT

IF FOUNDATION IS REQUIRED, COMPLETE SITE PREPARATION AND FOUNDATION CONSTRUCTION BEFORE UNPACKING ALL PARTS.

OPEN ALL BOXES FIRST AND NEATLY LAYOUT PARTS. SMALL PARTS MAY BE CONTAINED IN EACH BOX. PLEASE REFERENCE THE PARTS LIST WITHIN THIS MANUAL TO VERIFY ALL PARTS ARE PRESENT.



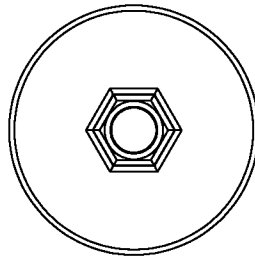
Window Kit Hardware

0480517 – Hardware Bag



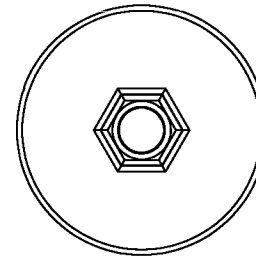
NN

010210410
Easy Bolt Driver*



PP

0102188N6
Easy Bolt
Color:
Peppercorn gray
x36

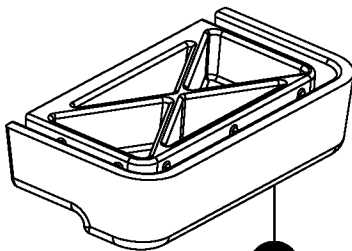


00

0102188N9
Easy Bolt
Color:
Passive white
x5

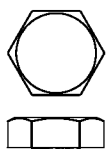
0480533 – MASTER HARDWARE BAG

0480513 – Hardware Bag



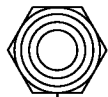
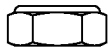
HH

0102566
Wall Adapter Cap*
x4



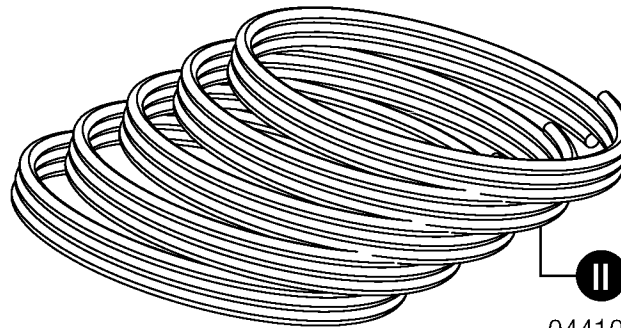
KK

0632504
1/4"-20 x 2"
Hex Bolt
x30



LL

0632505
1/4"-20
Lock-Nut
x30



II

0441007
Window Gasket*
x5

0480377 – Hardware Bag (x4)



MM

0630821
#10 x .625"
Screw
x156 (per bag)

0480516 – Hardware Bag



JJ

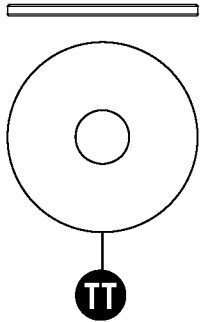
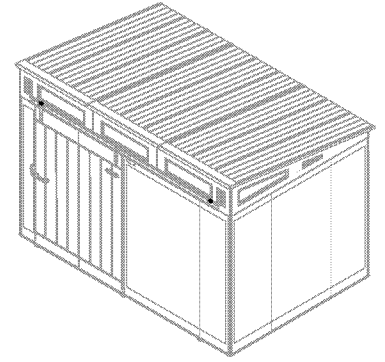
0630183
#8 x .5"
Screw
x25

Hardware shown at actual size (*unless otherwise noted). Extra hardware provided. Not all are used.

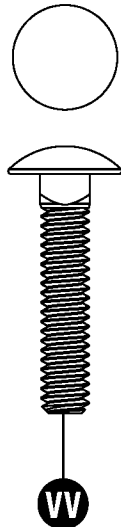
Door Kit

0480534 – MASTER HARDWARE BAG

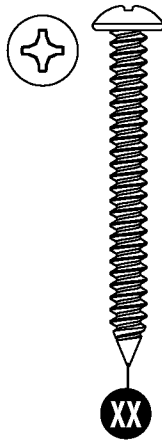
0480514 – Hardware Bag



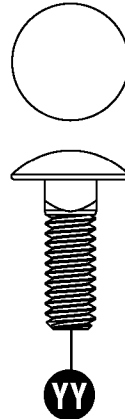
TT
0631773
1/4" Flat Washer
x11



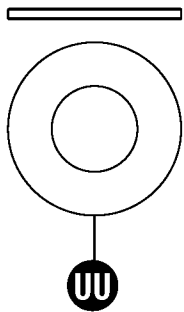
VV
0632496
.25-20 x 1.25"
Carriage Bolt
x6



XX
0632130
#10 x 1.75" Screw
x2



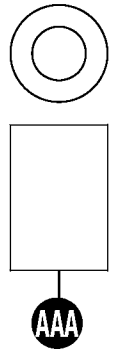
YY
0632497
1/4-20 x .75"
Carriage Bolt
x3



UU
0631011
3/8" Flat Washer
x2

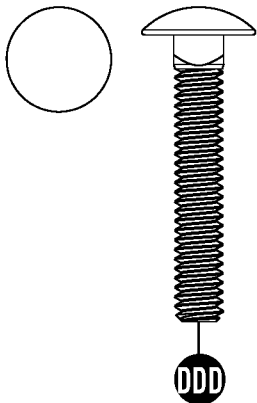


ZZ
0631148
1/4"-20
Lock-Nut
x9

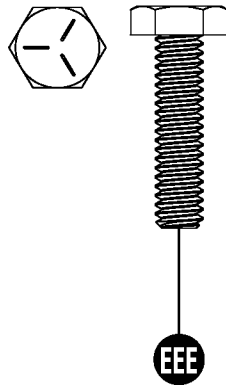


AAA
0510987
Nylon Spacer
x4

0480515 – Hardware Bag



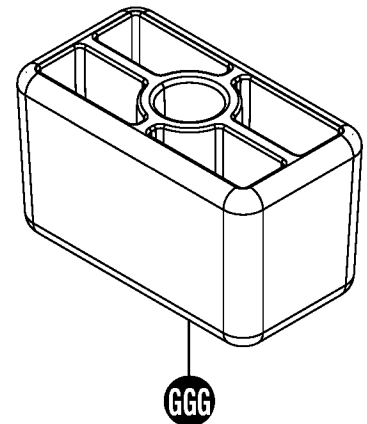
DDD
0631456
.25-20 x 1.5"
Carriage Bolt
x8



EEE
0631115
.25-20 x 1"
Hex Bolt
x2

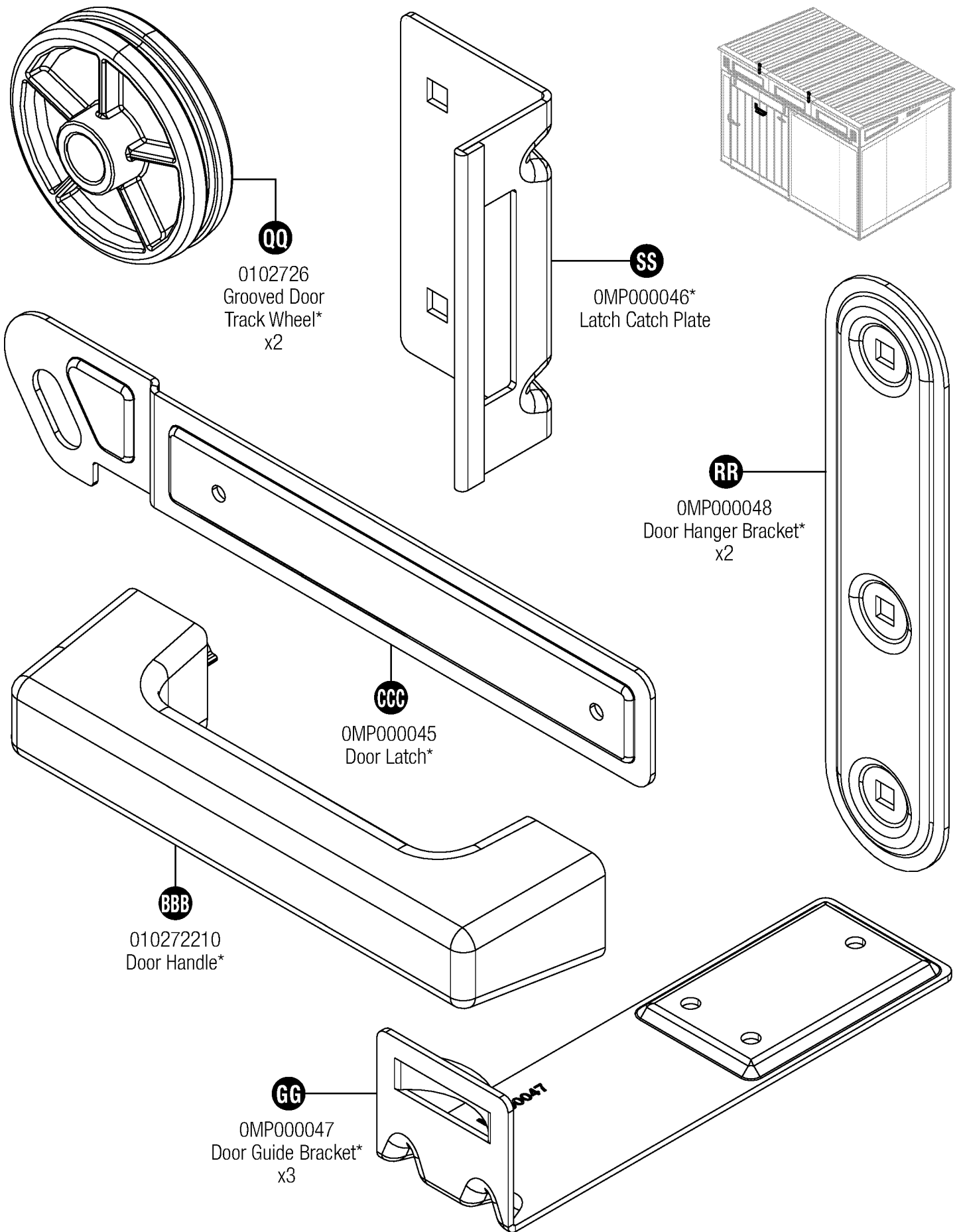


FFF
0631148
1/4-20
Lock-Nut
x10



GGG
0102748
Door Bumper*
x2

Hardware shown at actual size (*unless otherwise noted). Extra hardware provided. Not all are used.



Hardware shown at actual size (*unless otherwise noted). Extra hardware provided. Not all are used.

Site Preparation and Platform Construction

Materials **NOT** supplied with Shed Kit

Important:

- **Site preparation is required for this shed. Placing the shed on a properly constructed, square, flat and level foundation, as described below, is required. Without a properly constructed, square, flat and level foundation, settling will eventually occur, causing distortion and damage to the shed. Suncast is not responsible for replacing parts damaged or property lost due to incorrect foundation construction. Warranty requires a properly constructed foundation as described below.**
- **Complete the site preparation and foundation construction before unpacking parts and beginning assembly. For tips on site preparation, go to www.suncast.com, consult retailer, or local codes.**

Site Preparation

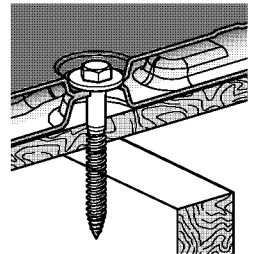
1. Consult your local authorities for building codes and covenants before beginning foundation or erecting shed.
2. Before any digging, check with local utilities to determine location of buried cables, pipes, etc.
3. Decide which type of foundation is most suitable for your installation. **The foundation surface must be square, flat and level.** Follow the below guidelines for foundation options:

Concrete Slab

- Construct a slab of at least 4" thickness.
- The use of reinforcement bar is recommended.
- 4. Complete the foundation preparations as follows:
 - A vapor barrier may be applied over the foundation to prevent excessive condensation in the shed. Follow local building codes for a proper vapor barrier.
 - The ground should slope away from the foundation area to provide drainage.

Wood Platform

- Use exterior grade wood.
- Set the wood platform on pier blocks or footing.



Anchor section example

Anchoring the Floor Panels to the Foundation

- Shed floor panels include flattened areas where anchors or lag screws are to be secured. These flat areas must be drilled through prior to securing the floor panels to the foundation.

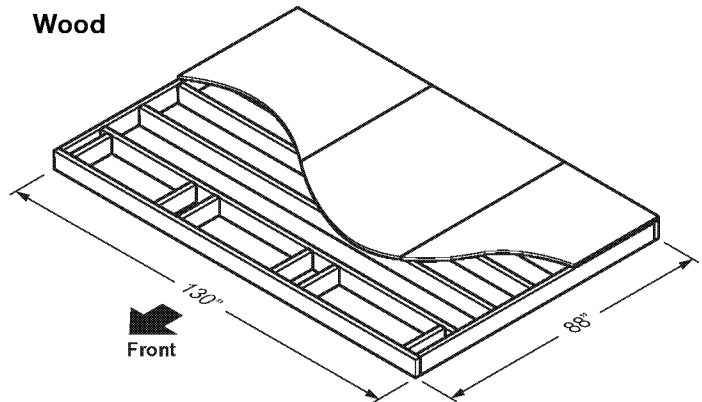
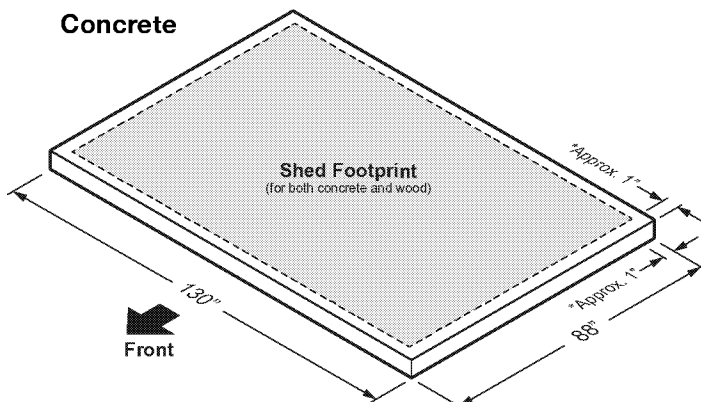
Concrete Slab

- Secure shed to concrete slab using 3/8" masonry anchors with 1" washers. Masonry anchors and 1" washers are available at most local hardware retailers. **12 masonry anchors are required for the Suncast BMS9000 Barn Door Shed.**

Wood Platform

- Secure shed to wood platform using 1/4" - 3/8" x 3" lag screws with 1" washers. Lag screws and 1" washers are available at most local hardware retailers. **12 lag screws are required for the Suncast BMS9000 Barn Door Shed.**

Note: Shed floor fastening locations are designed to align with the under-structure layout. Be sure the front of the base panels are oriented correctly on the platform to ensure lag bolts engage with the under-structure.



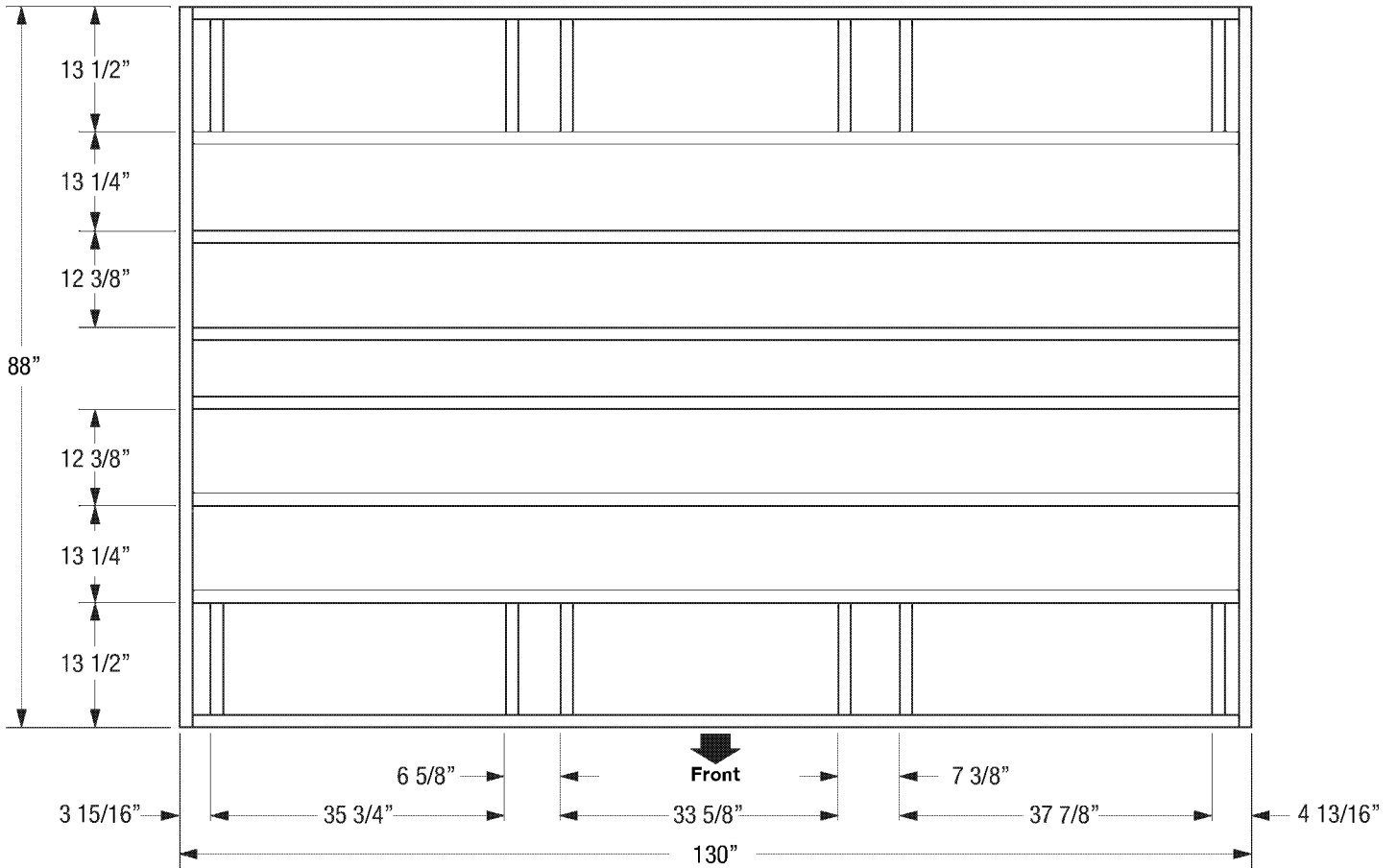
* Dimensions allow for shed to fit within the nearest 1" on each side.

Site Preparation and Platform Construction (continued)

Materials **NOT** supplied with Shed Kit

Wood platform critical spacing

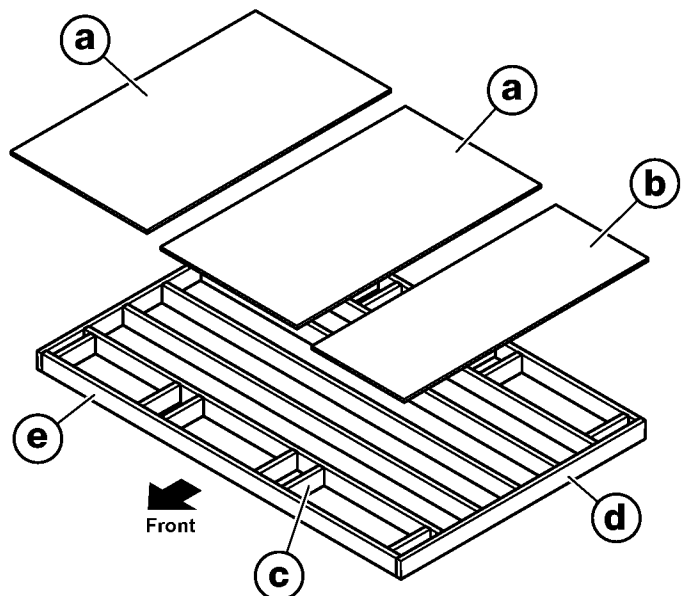
- Check all critical spacing measurements carefully.



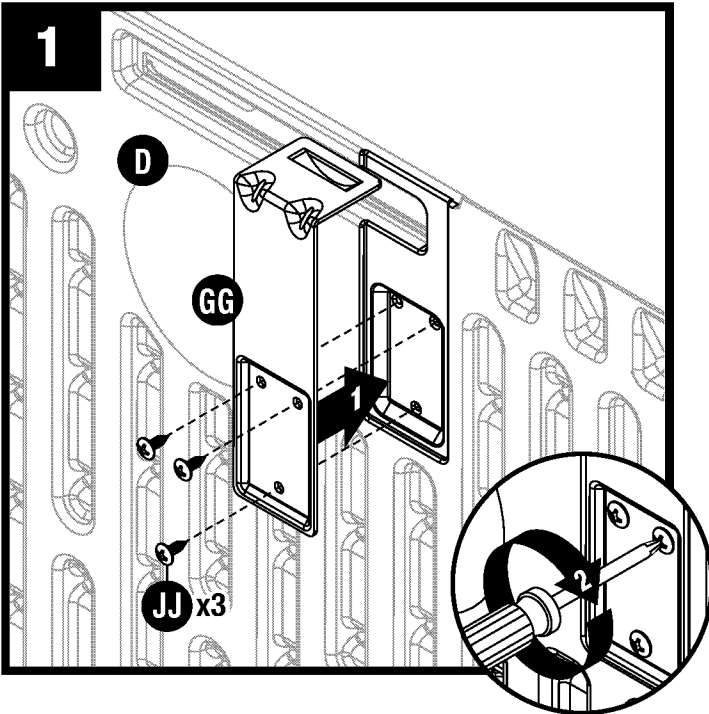
Wood platform materials list

Item	Qty	Size
a	2	48" x 88" x .75"
b	1	34" x 88" x .75"
c	12	2" x 6" x 12"
d	2	2" x 6" x 88"
e	8	2" x 6" x 127"

- Please note, 2 x 6 dimensional lumber is actually 1/2" smaller than noted sizes. Dimensions given presume standard 1.5" x 5.5" actual size lumber. Lumber dimensions can vary. Check lumber dimensions before cutting and make appropriate adjustments to achieve given dimensions. Cut sizes are actual size.



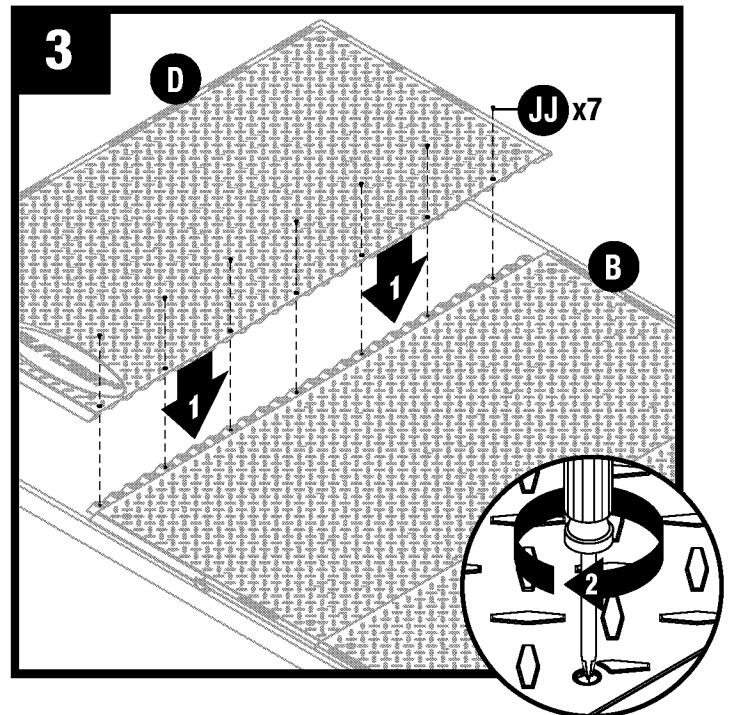
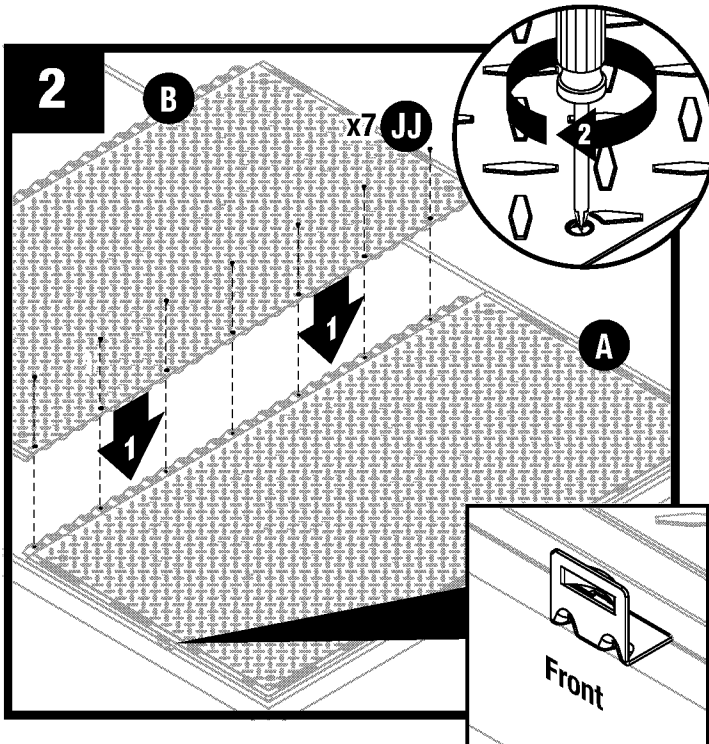
Floor and Door Handle Pre-Assembly



Stand left floor panel (D) horizontally on edge. On the underside of left floor panel (D), have a second person install a door guide bracket (GG) and secure with three screws (JJ).

Repeat for the middle floor panel (B) and right floor panel (A).

Lay flat on foundation to avoid damaging door guides. Be sure the door guide brackets are facing the front of the foundation (front of foundation indicated earlier in these instructions).



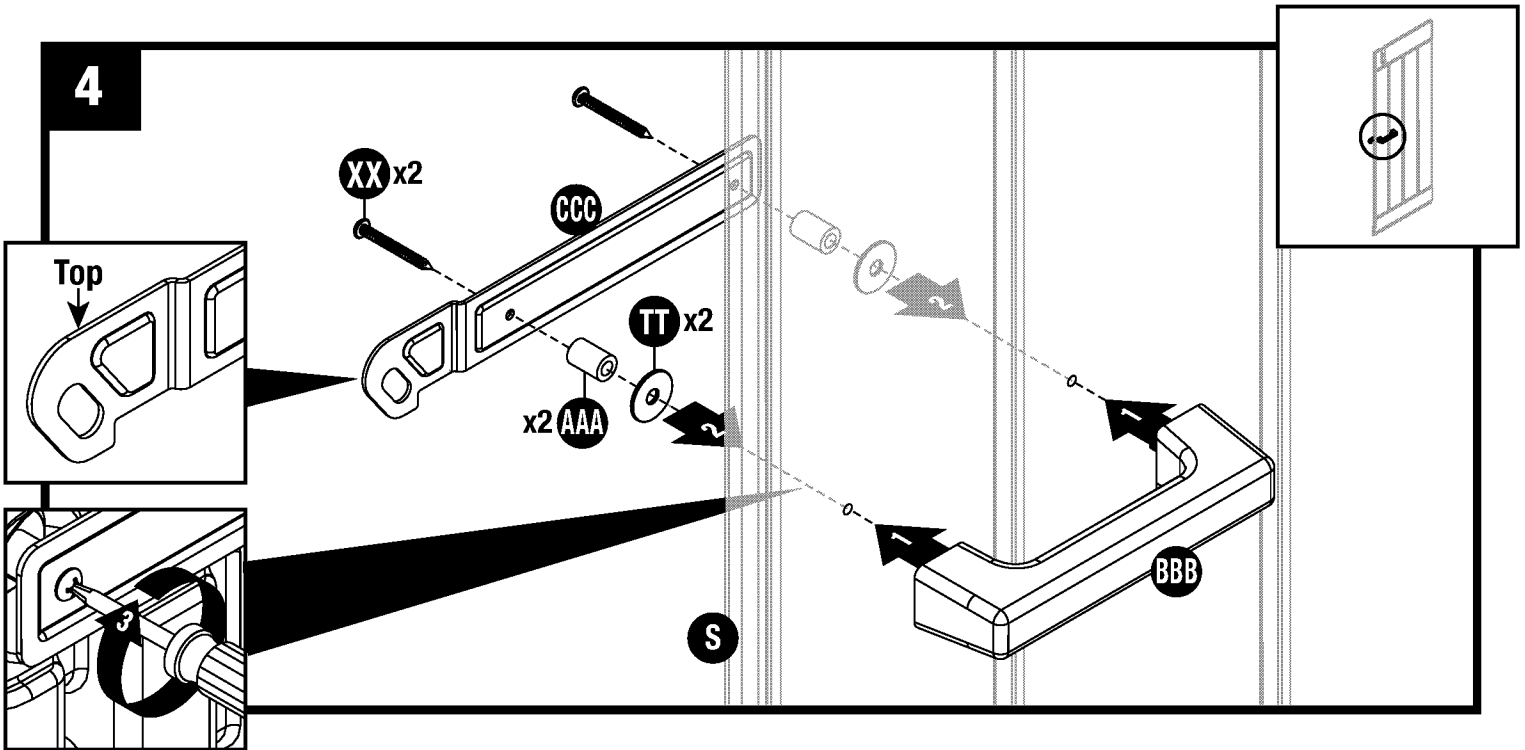
Place edge of middle floor panel (B) onto right floor panel (A) and secure with seven screws (JJ). Be sure the door guide brackets are facing the front of the foundation (front of foundation indicated earlier in these instructions). Install end-most screws first followed by remaining screws

Note: Lay floor panels into position on foundation as they are assembled.

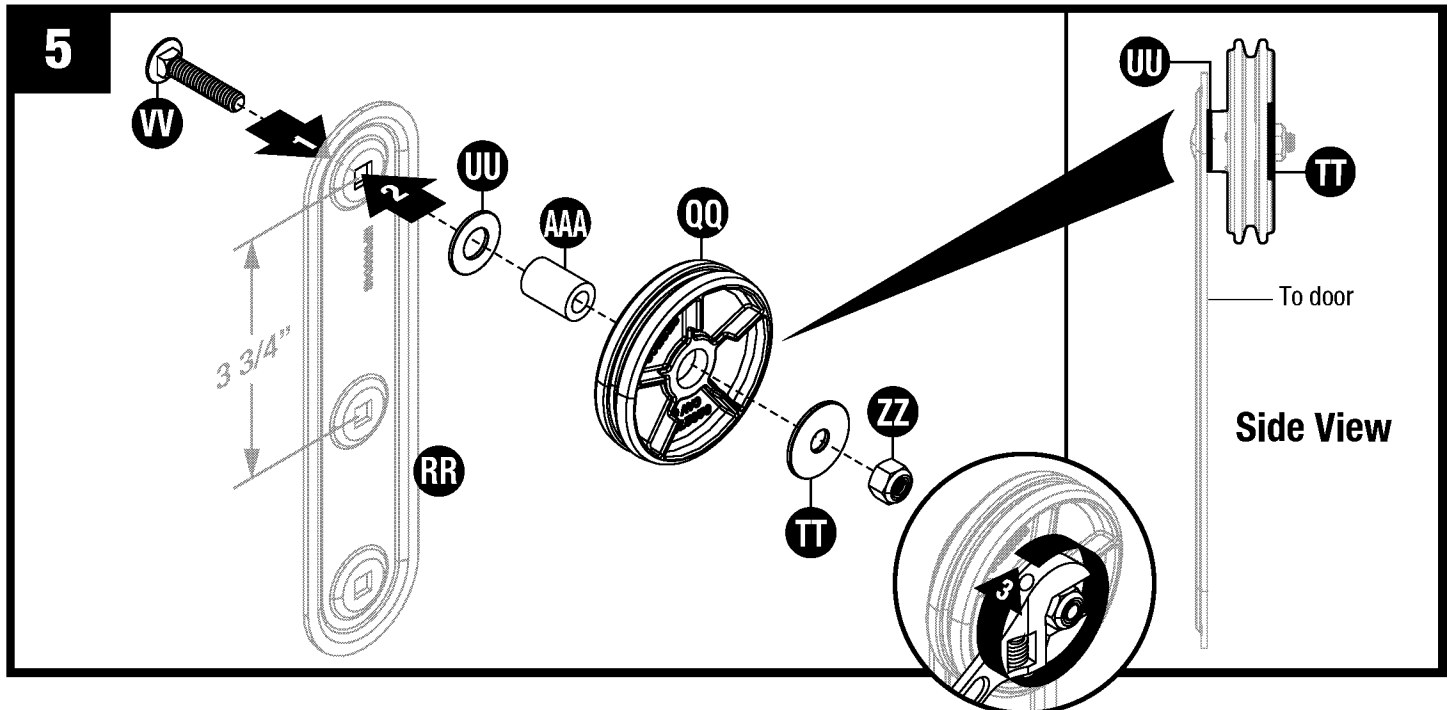
Place edge of left floor panel (D) onto middle floor panel (B) and secure with seven screws (JJ).

Fasten floor panels to the foundation at this time. Refer to foundation construction and fastening information earlier in these instructions.

Door Pre-Assembly (continued)



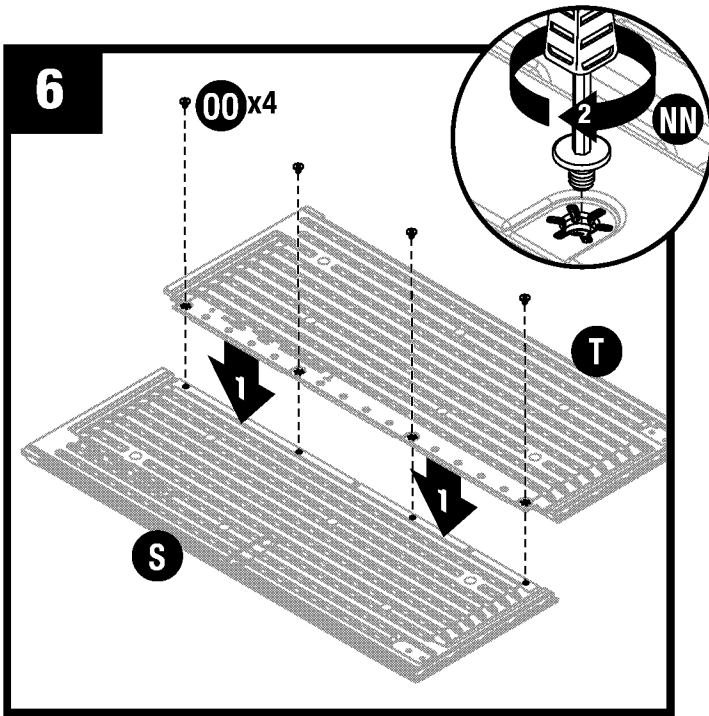
On the inside of left door panel (S), install washers (TT), nylon spacers (AAA), door latch (CCC) and screws (XX) through mounting holes. On the outside of door panel (S), place door handle (BBB) over screws (XX). Tighten the screws securely.



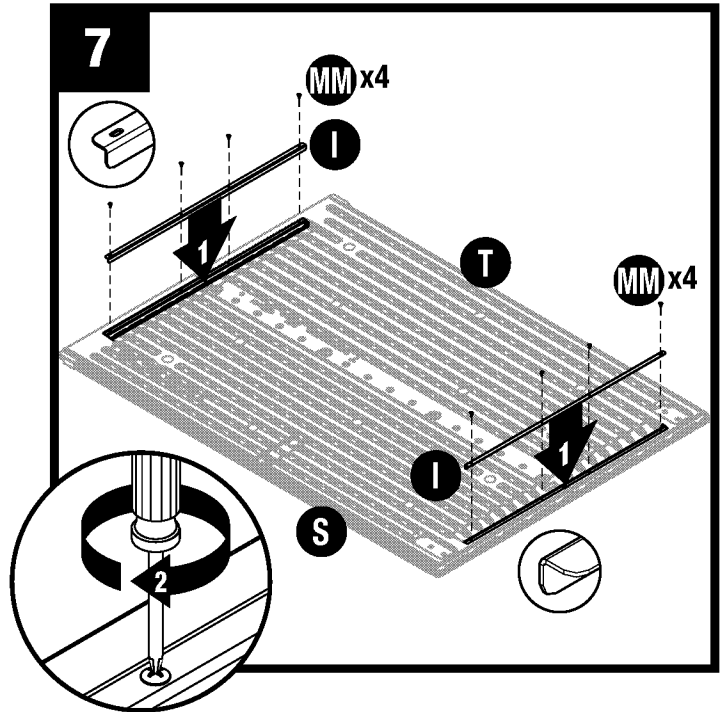
Orient the door hanger bracket (RR) as shown with the larger space between holes ($3 \frac{3}{4}$ " upward). Place bolt (VV) through top hole in door hanger bracket (RR) and install washer (UU), nylon spacer (AAA), grooved door track wheel (QQ) (refer to detail for proper orientation of door track wheel) and larger washer (TT) over the bolt. Secure with locknut (ZZ). Tighten the locknut to the washer (TT). Do not over-tighten. Check the door track wheel for spin; the wheel should spin freely. If the door track wheel does not spin freely, loosen the nut in small increments until the door track wheel spins freely.

Repeat for remaining door hanger assembly.

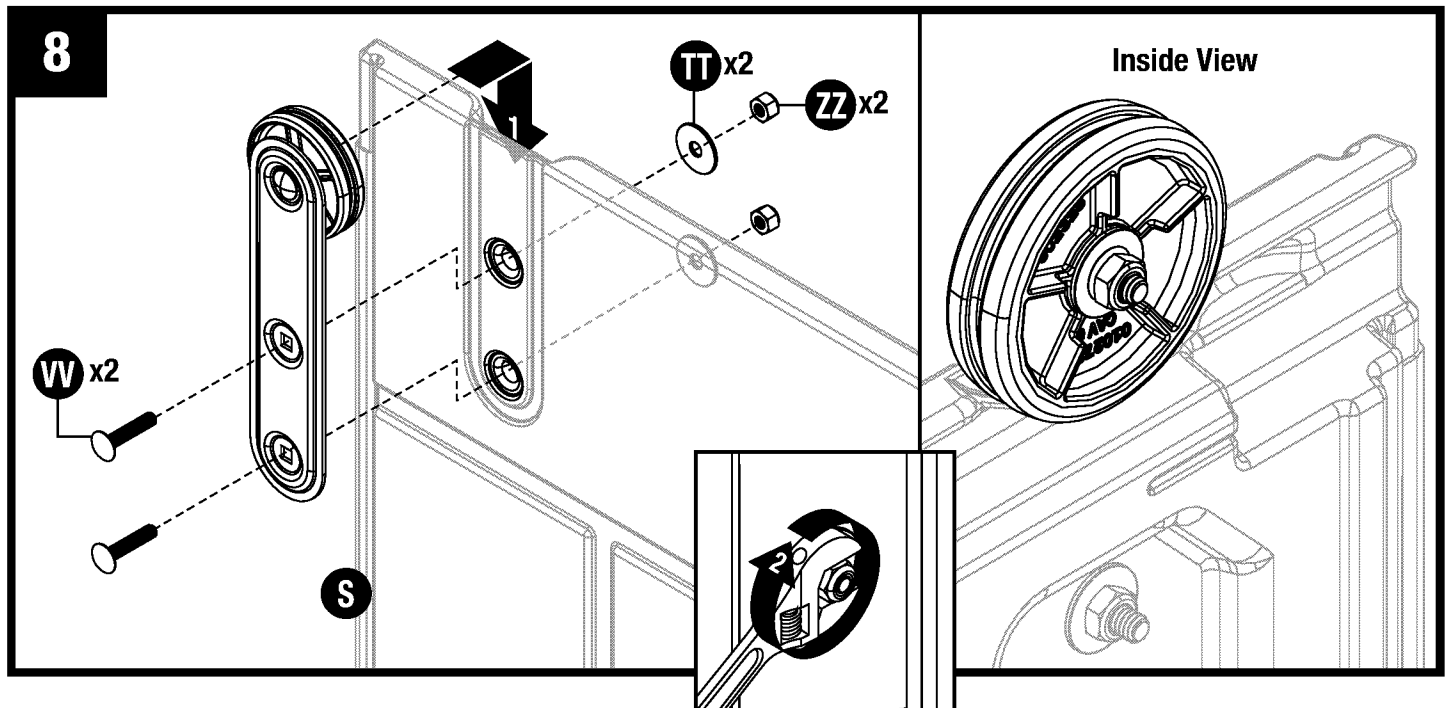
Door Pre-Assembly (continued)



Lay door on a flat surface with show side face down. Overlap left and right door panels (S, T) and secure with four white easy bolts (OO) using provided easy bolt driver (NN). Listen for 3-4 clicks to indicate easy bolts are fully tightened.



Align holes in L-bracket (I) with holes at top of door panel assembly (S, T) and attach L-bracket (I) with four screws (MM). Repeat for remaining L-bracket (I) at bottom of door panel assembly (T, S).

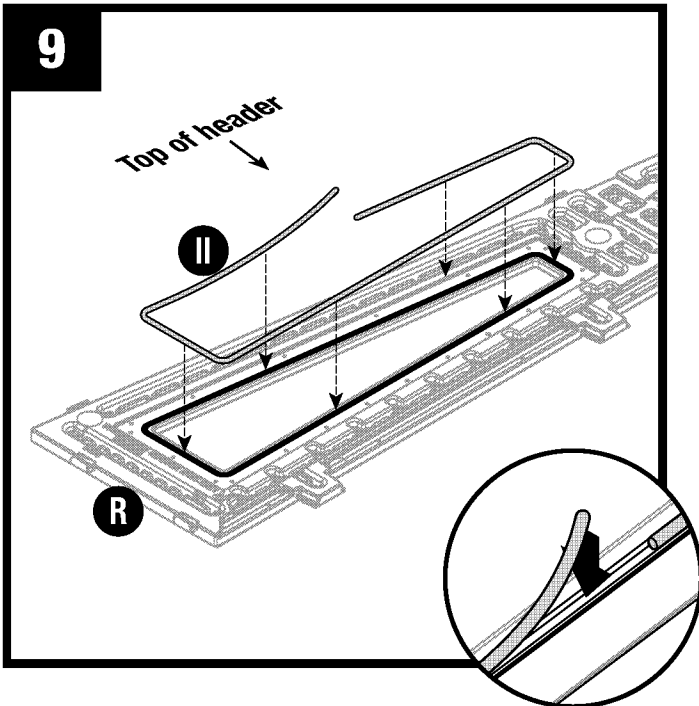


Tilt door panel assembly (S, T) upright. Nest door hanger assembly into pocket of left door panel (S). Secure with bolts (VV), washers (TT), and locknuts (ZZ).

Repeat for remaining hanger and right door panel (T).

Note: The two holes in both door panel pockets may need to be pierced prior to inserting bolts.

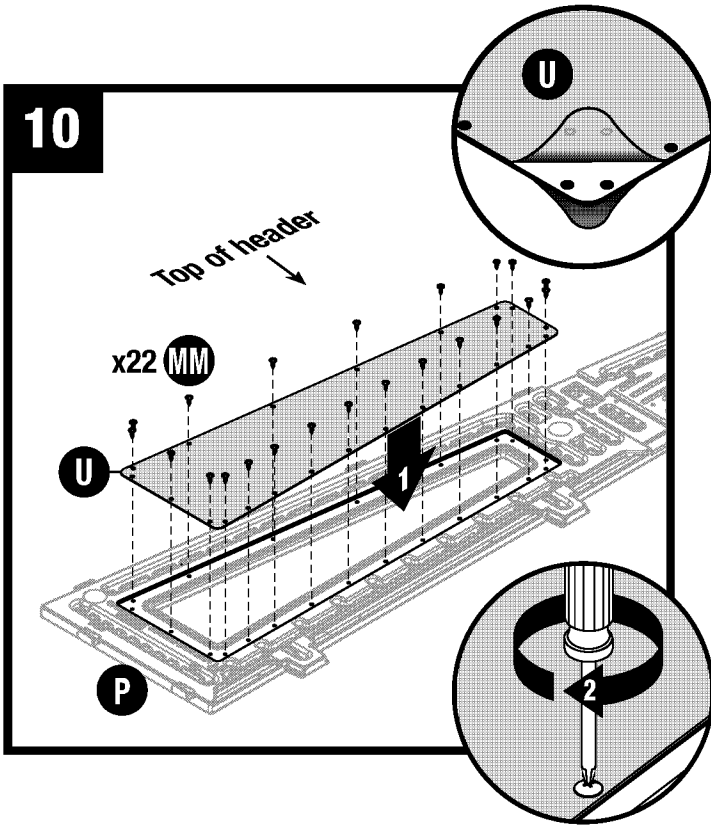
Header Pre-Assembly



Place left side header (R) face down on flat surface. Starting at the top-center of window, press one end of gasket (II) into the channel and work around the window. Trim any excess gasket with scissors.

Repeat gasket installation for remaining right side header (P), front right header (K) and front left header (J).

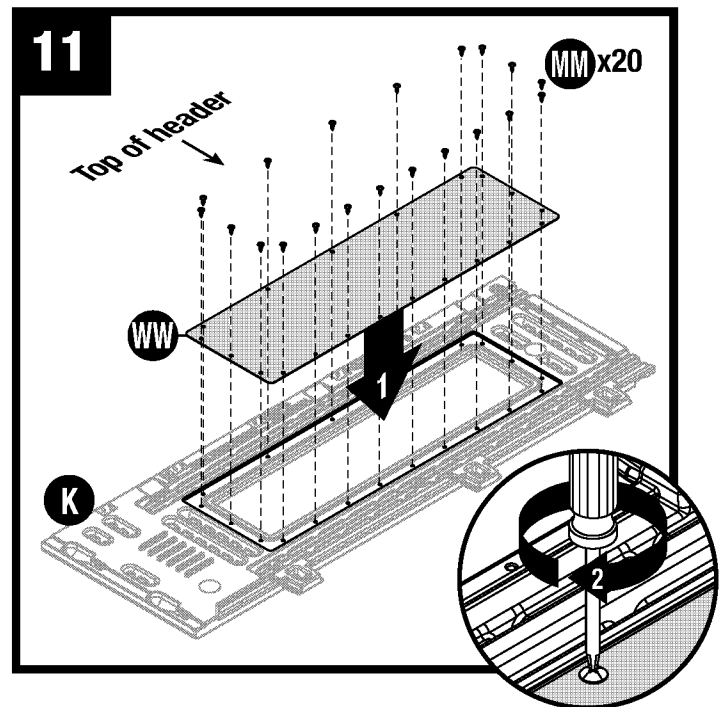
Note: Do not stretch gasket when installing. press firmly downward and slightly backward while running the gasket around the gasket channel.



NOTE: Remove protective film from both sides of window (U) prior to installation.

With left side header (R) still face down on flat surface, install side window (U). Secure with 22 screws (MM).

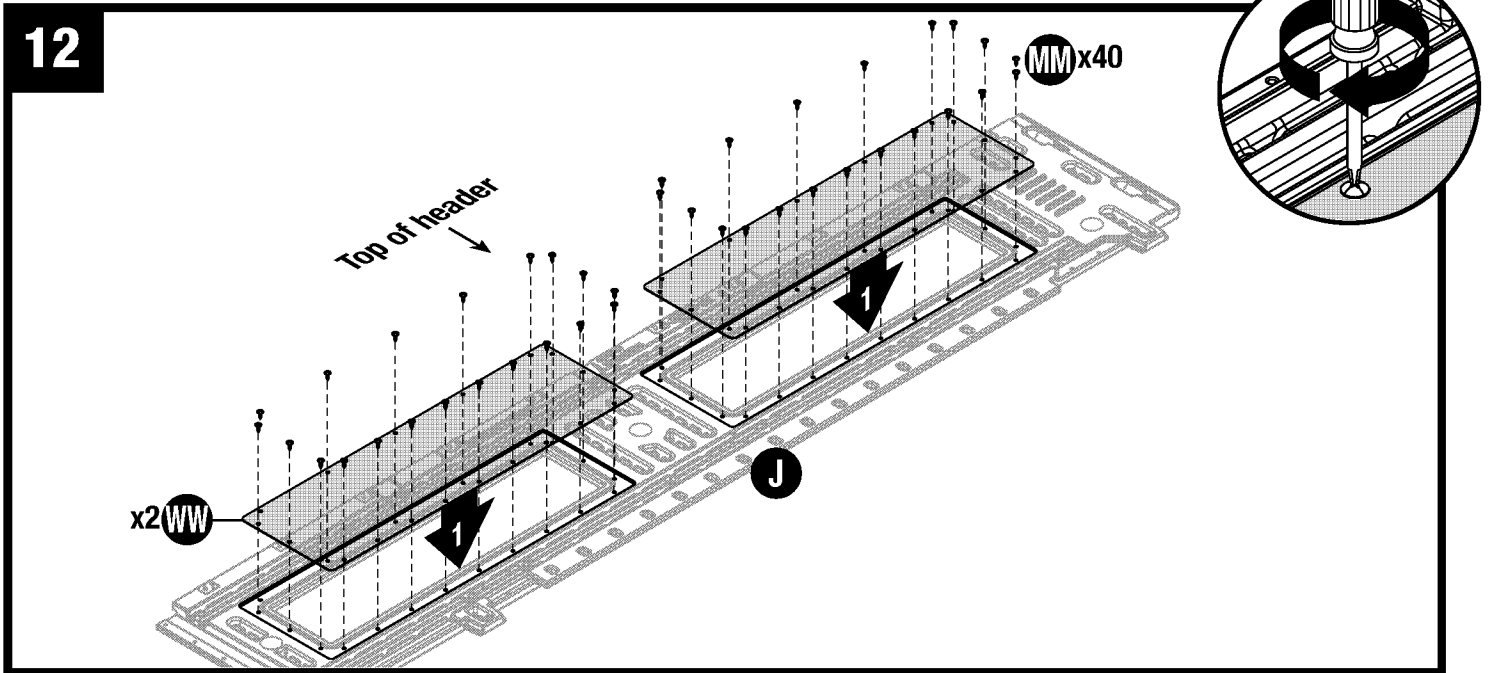
Repeat for remaining side window (U) and right side header (P).



NOTE: Remove protective film from both sides of window (WW) prior to installation.

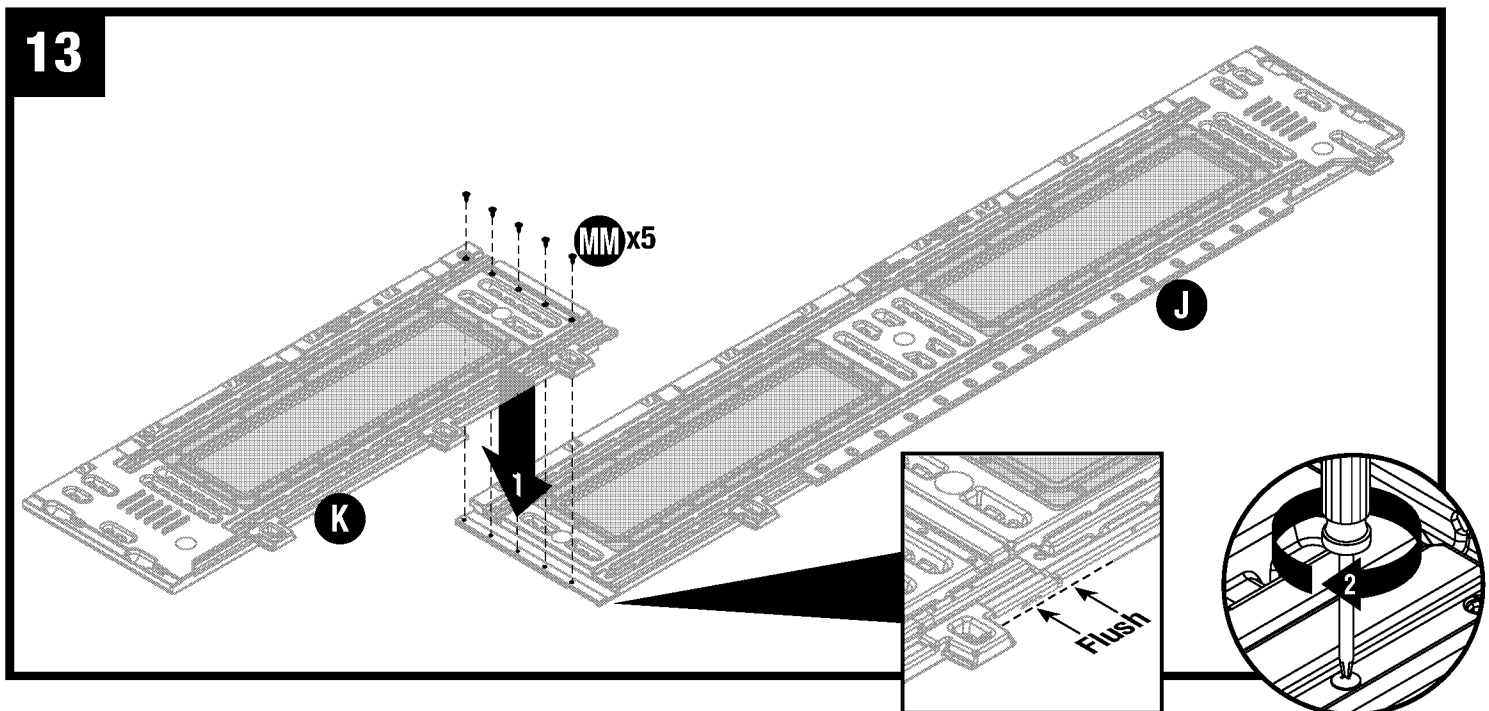
Place front right header (K) face down on flat surface and install front window (WW). Be sure holes in windows align properly with screw recesses in left header. Secure with 20 screws (MM).

Header Pre-Assembly (continued)

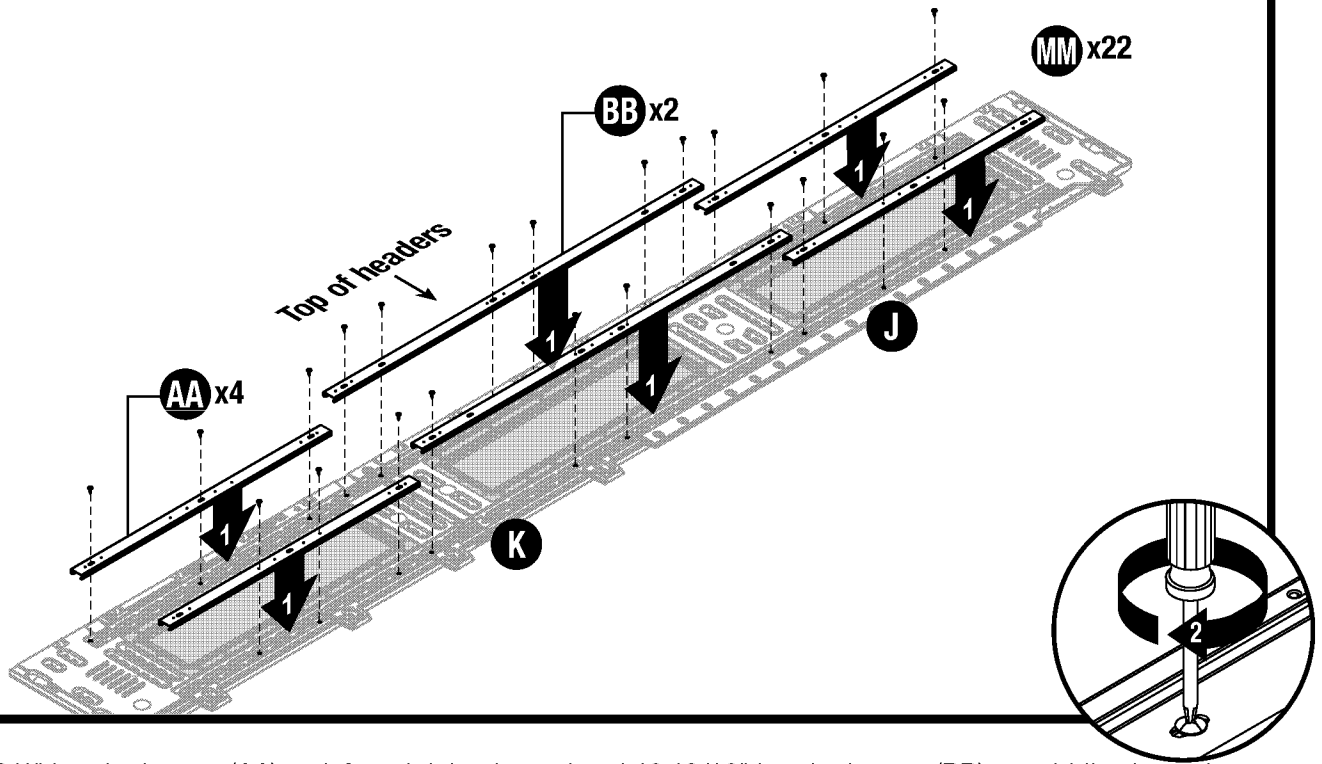


NOTE: Remove protective film from both sides of windows (WW) prior to installation.

Place front left header (J) face down on a flat surface and install front windows (WW). Be sure holes in windows align properly with screw recesses in left header. Secure with 40 screws (MM).

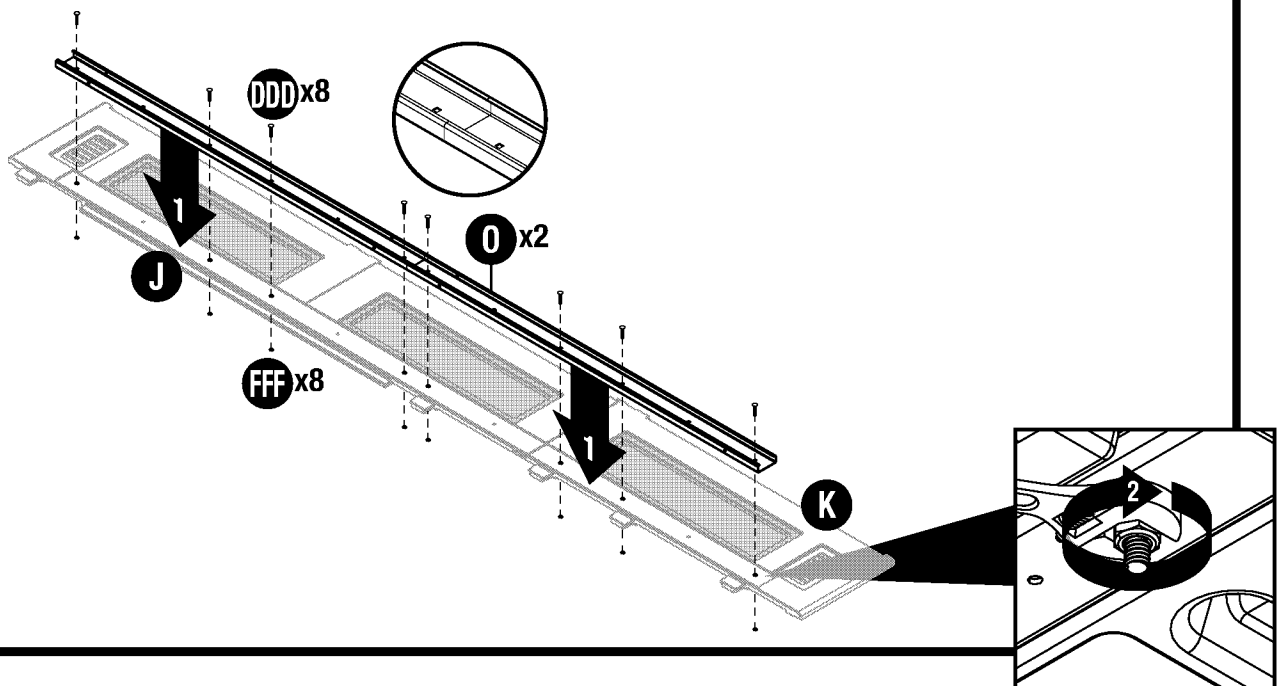


With left front header (J) still face down on a flat surface, place edge of right front header (K) into slot on edge of left front header (J). **Make sure bottom edges of both headers are flush.** Secure headers together with five screws (MM).

14

Place 31 3/4" header beams (AA) on left and right channel and 46 13/16" header beams (BB) on middle channel above and below the window openings of front left and right headers (J, K). Secure header beams (AA, BB) at top of header with **twelve** screws (MM) as shown. Secure header beams (AA, BB) at bottom of header with **ten** screws (MM) as shown.

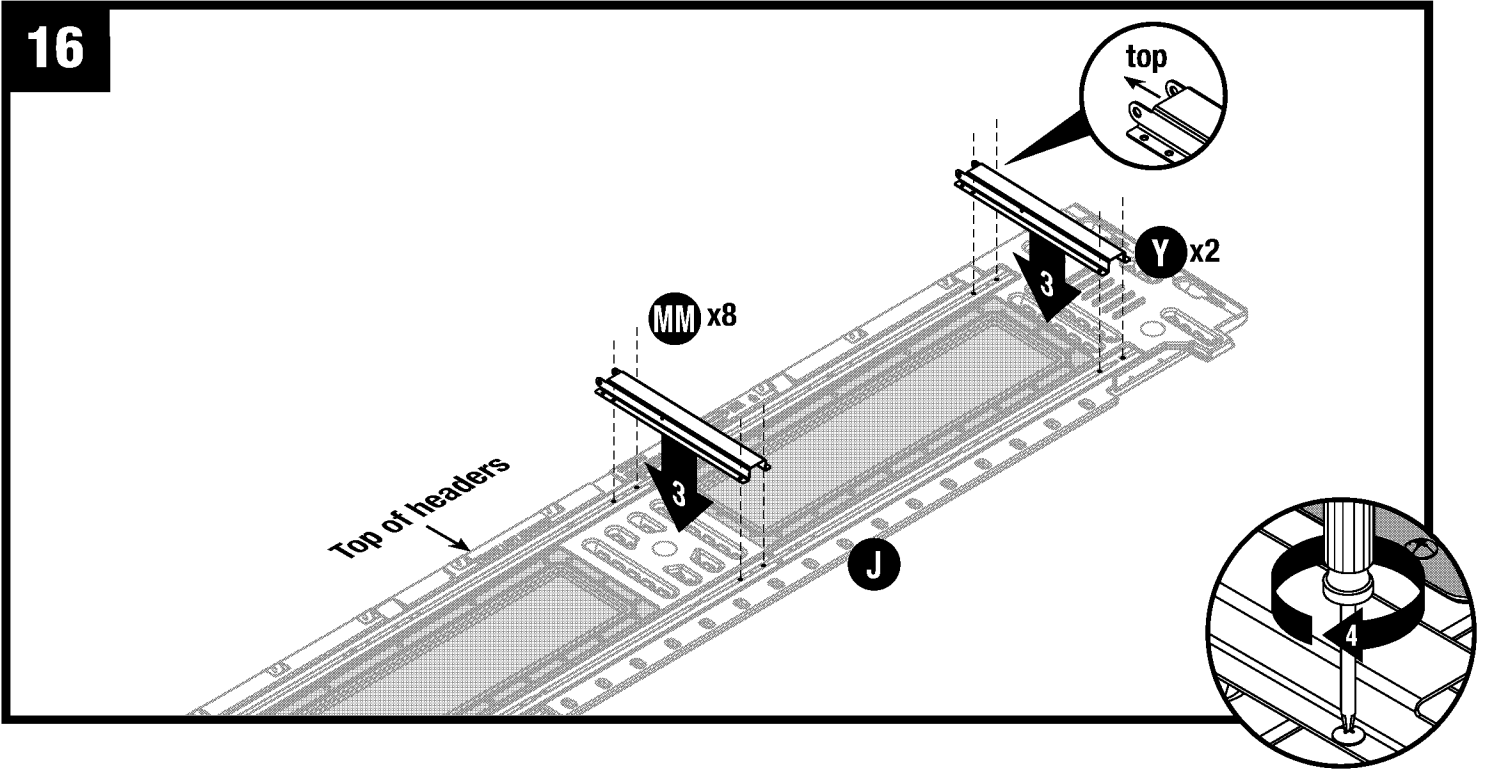
IMPORTANT: Make sure to install screws into exact locations only as shown (not all screw holes are used at this point in assembly).

15

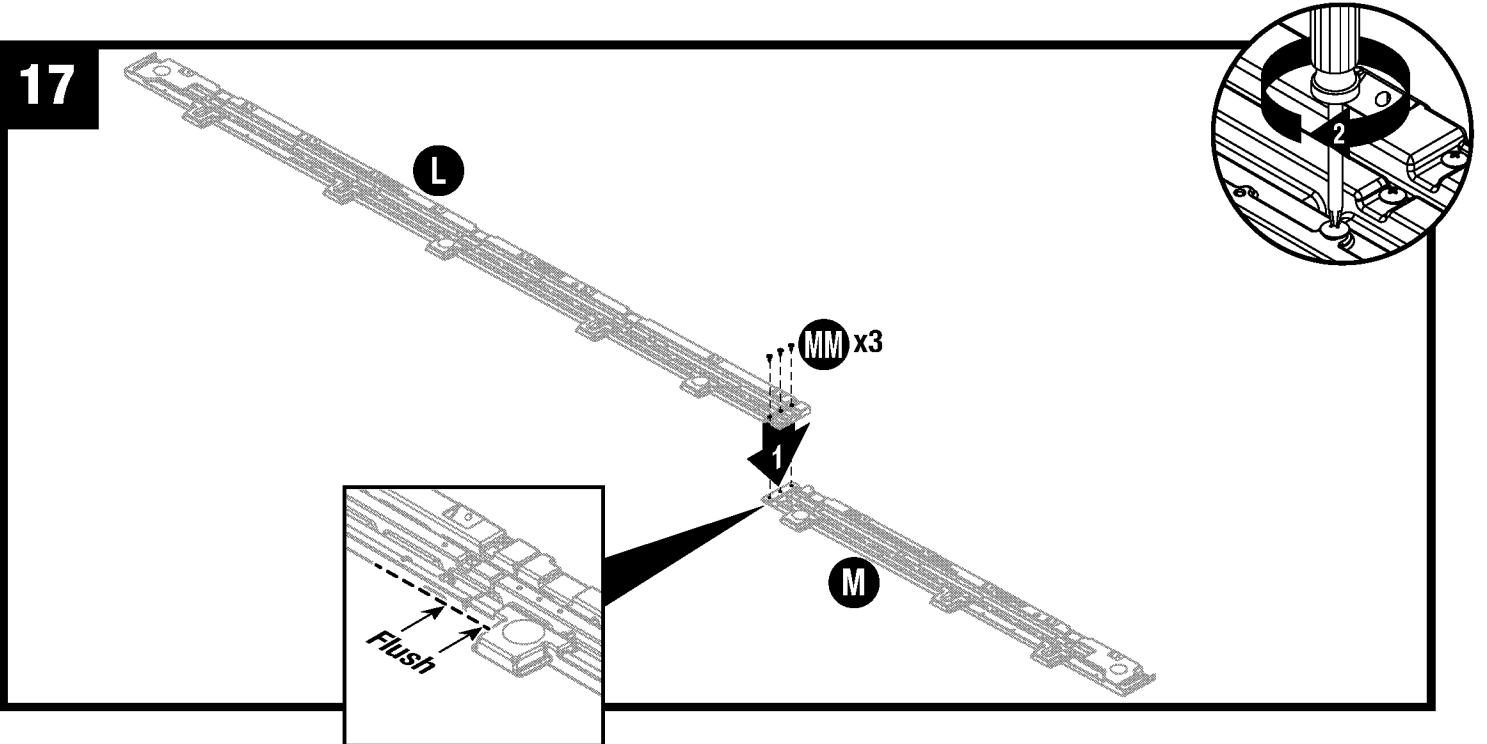
With header assembly (J, K) flipped over and laid on a flat surface, nest door tracks (O) into pockets on outside of header assembly. Making sure the door tracks are aligned at center, secure door tracks (O) with eight carriage bolts (DDD) and locknuts (FFF).

Note: The holes for carriage bolts (DDD) may need to be pierced prior to inserting bolts.

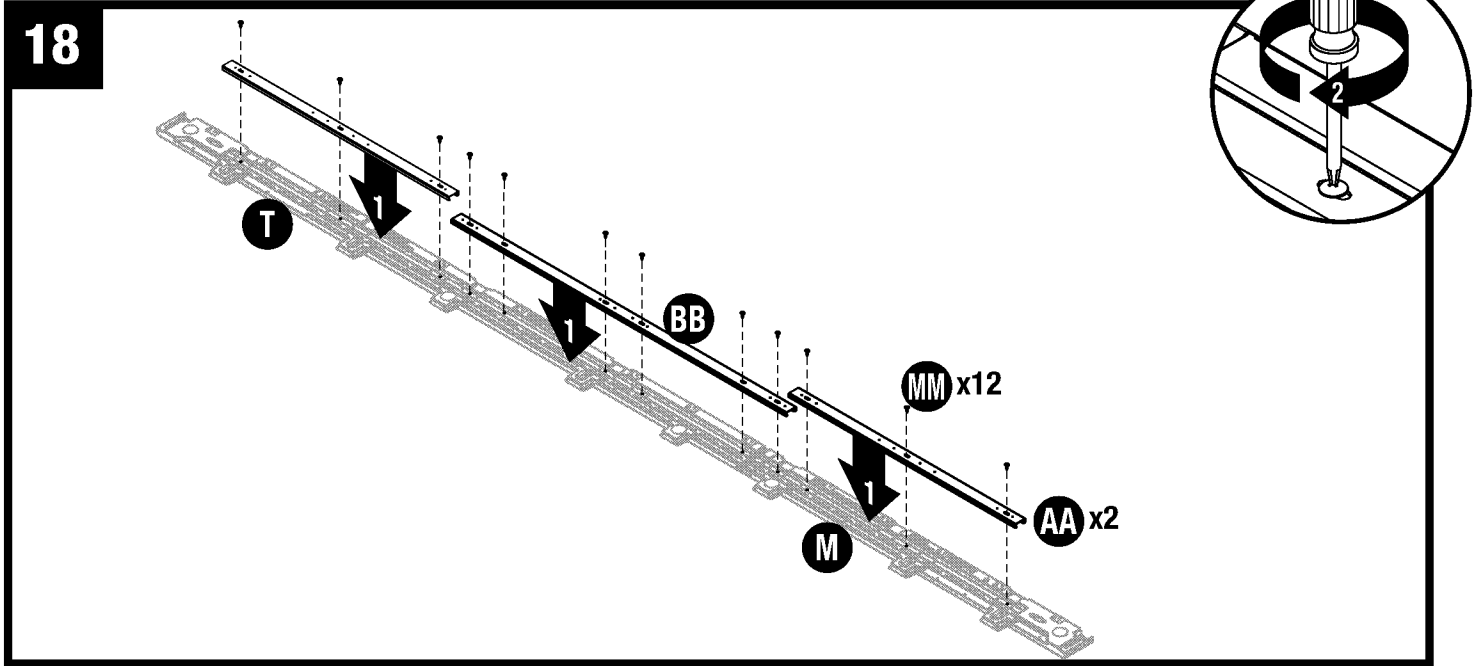
Header Pre-Assembly (continued)



Place short side adapters (Y) between windows of left front header (J) with the flat bottom end facing down. Secure short side adapters (Y) with four screws (MM) each.



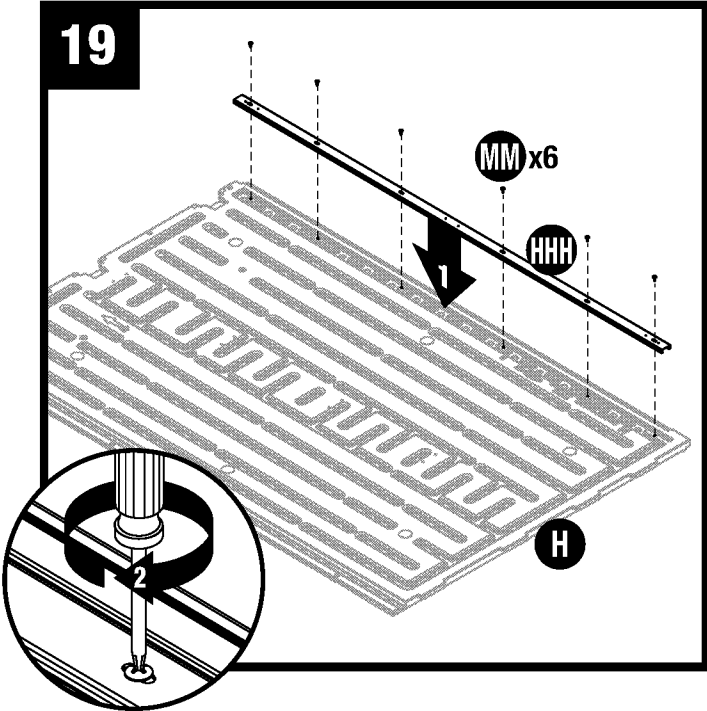
With right rear header (M) laying on a flat surface, place the right edge of the left rear header (L) into slot on edge of right rear header (M). **Make sure bottom edges of both headers are flush.** Secure headers together with three screws (MM).



With right and left assembled rear header beams (M, T) laying on a flat surface, place two 31 3/4" header beams (AA) at each end and one 46 13/16" header beam in the center into channels. Secure header beams (AA, BB) with 12 screws (MM) as shown.

IMPORTANT: Make sure to install screws into slots only as shown (not all screw holes are used at this point in assembly).

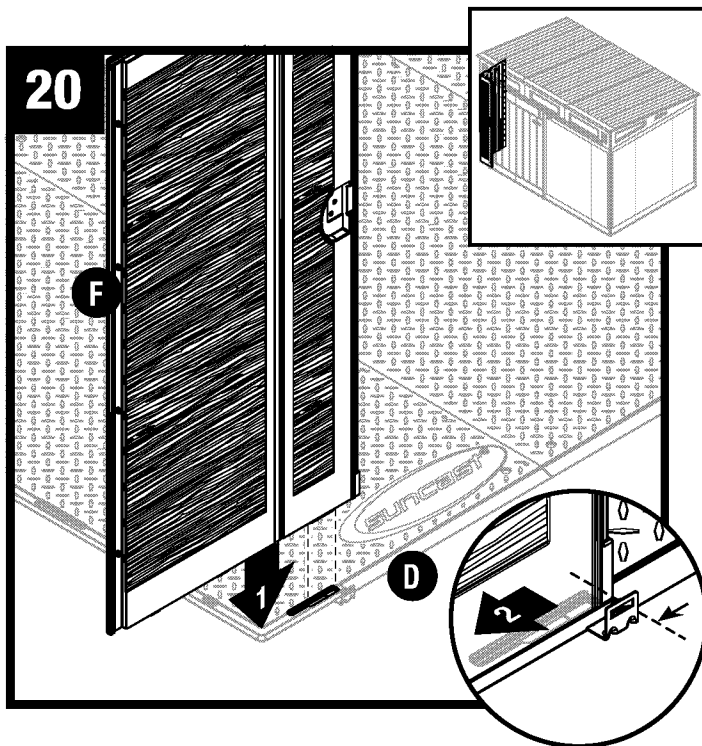
Front Panel Pre-Assembly



With front panel (H) face down on a protected surface, install the 69.5" header beam (HHH) into channel on right side of front panel (H). Install 6 screws (MM) into slots as shown to secure.

IMPORTANT: Before proceeding, if not already prepared, a concrete slab or wood foundation must be created using the information on pages 11-12.

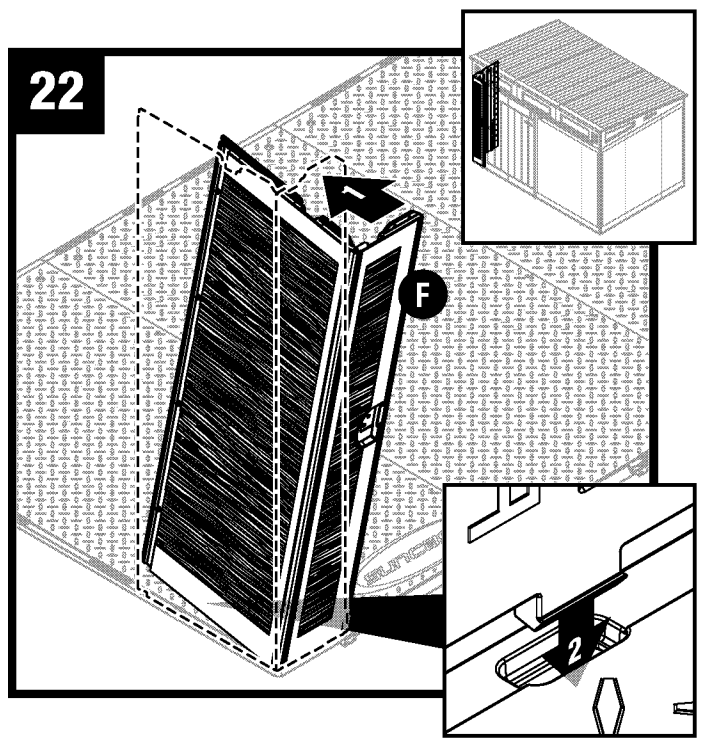
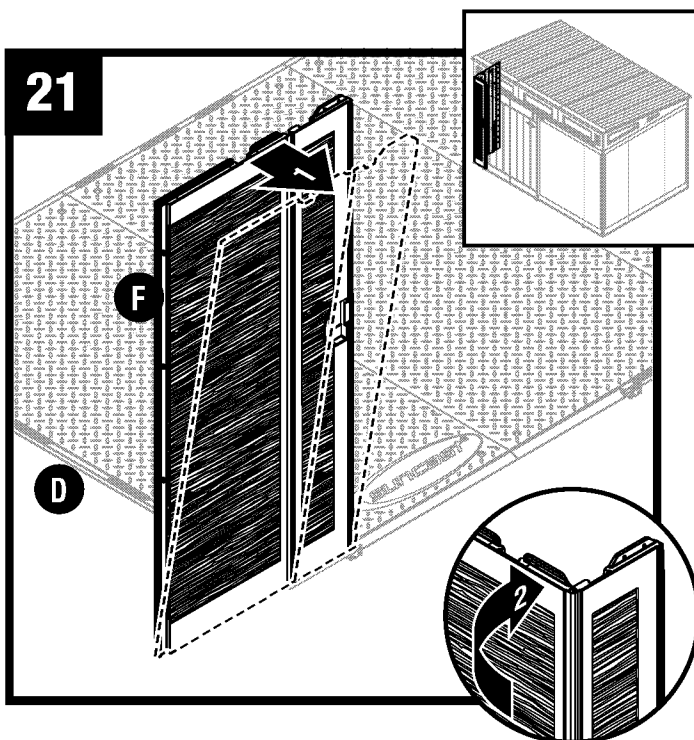
Shed Assembly Floors and Walls



Align tab on bottom right side of left front corner (F) with front slot on left floor (D). Lower panel into slot and lock in place by sliding panel toward left edge of floor.



Note: Use a rubber mallet to “push” left front corner (F) into locked position. To help prevent damage from mallet, place a scrap piece of wood on the panel being struck by mallet. This will help distribute the force throughout the panel, minimizing the risk of damage.



Tip left front corner (F) outward slightly and bend corner hinge.

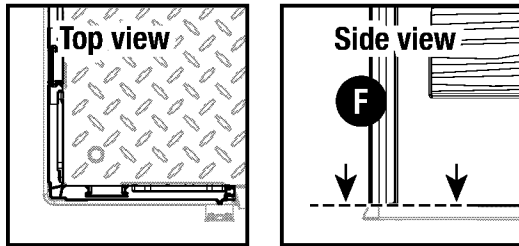
Tip left front corner (F) back to vertical position and align lower tabs on left side with slots in floor. Press down firmly to engage lower tabs into floor panel.

Note: You will hear a snap when tab is fully engaged.

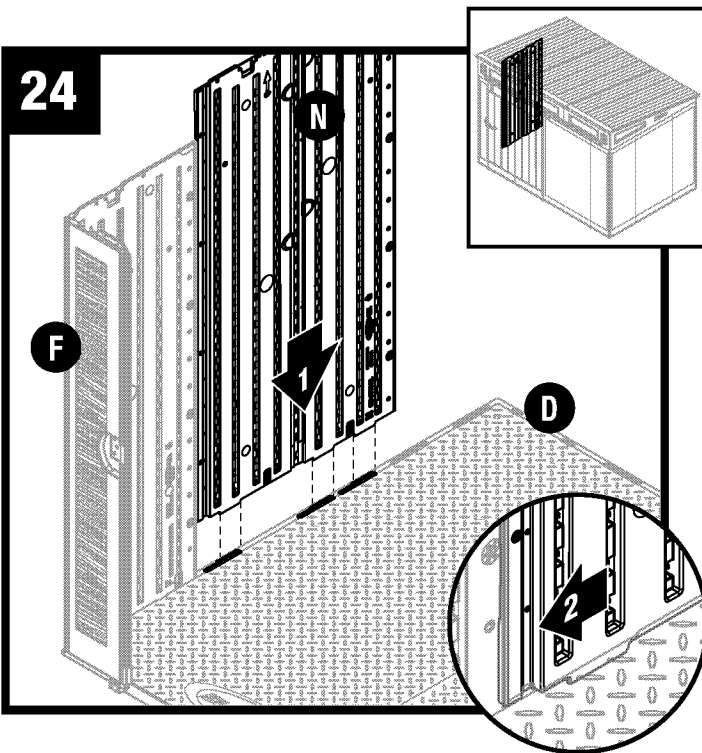
23

Before proceeding, make sure corner is square (top view) where it meets the floor and that panel is flush (side view) with floor.

If not, repeat Steps 19–21 until square and flush.



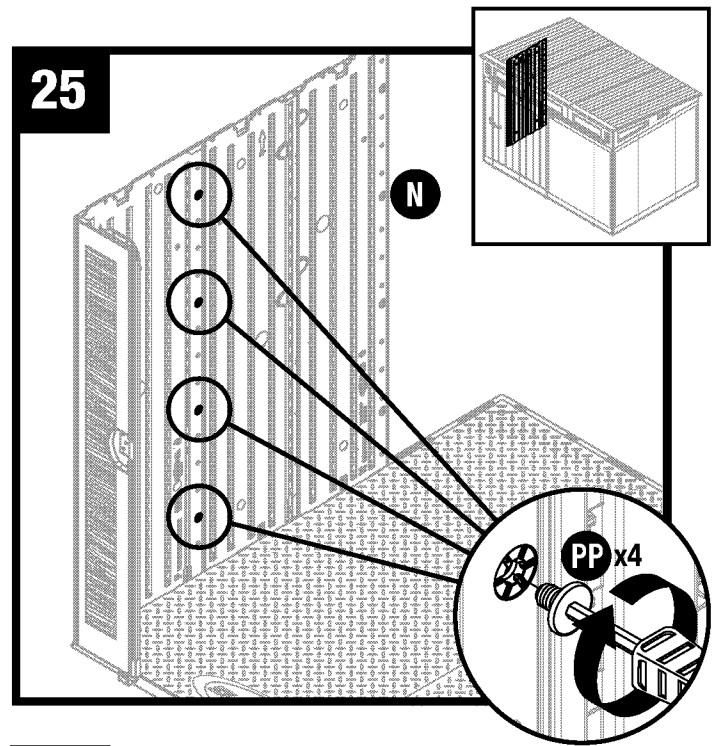
24



Align tabs on bottom of side panel (N) with slots along side of left floor (D). Lower side panel (N) into slots and lock in place by sliding left side panel (F) toward front left corner (F). Be sure all tabs are fully inserted into slots before sliding to lock.

Note: Use a rubber mallet to “push” side panel (N) into locked position.

25



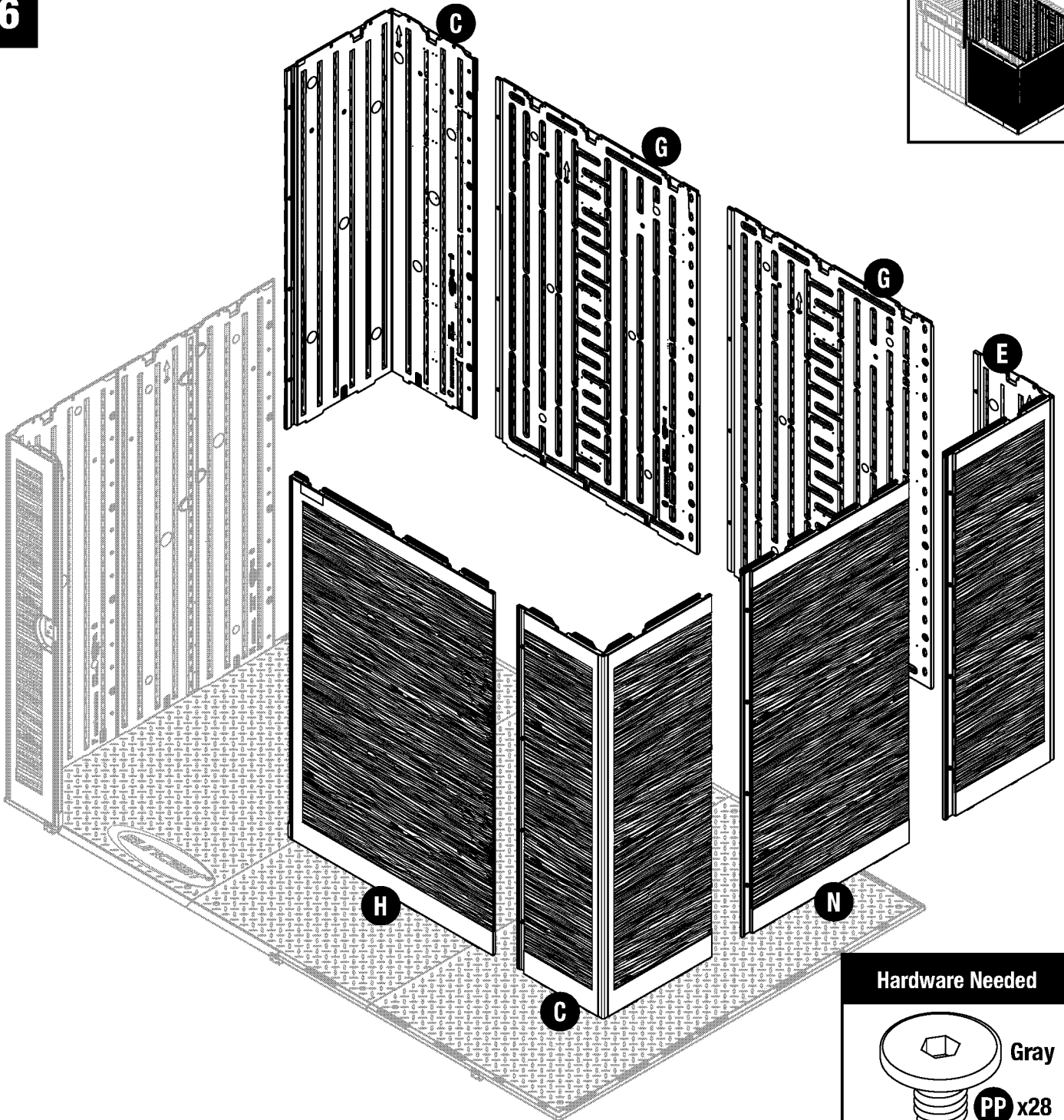
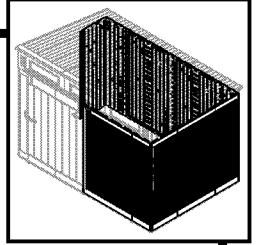
TIP: Have a second person supporting from the outside.

Secure side panels together with four gray easy bolts (PP), working from bottom to top. Use easy bolt easy driver (NN) and hand tighten. Easy bolt head will be flush when fully seated. **DO NOT** over tighten easy bolts.

Note: You may hear a 3-4 clicks before easy bolt has been tightened completely.

Shed Assembly Walls

26

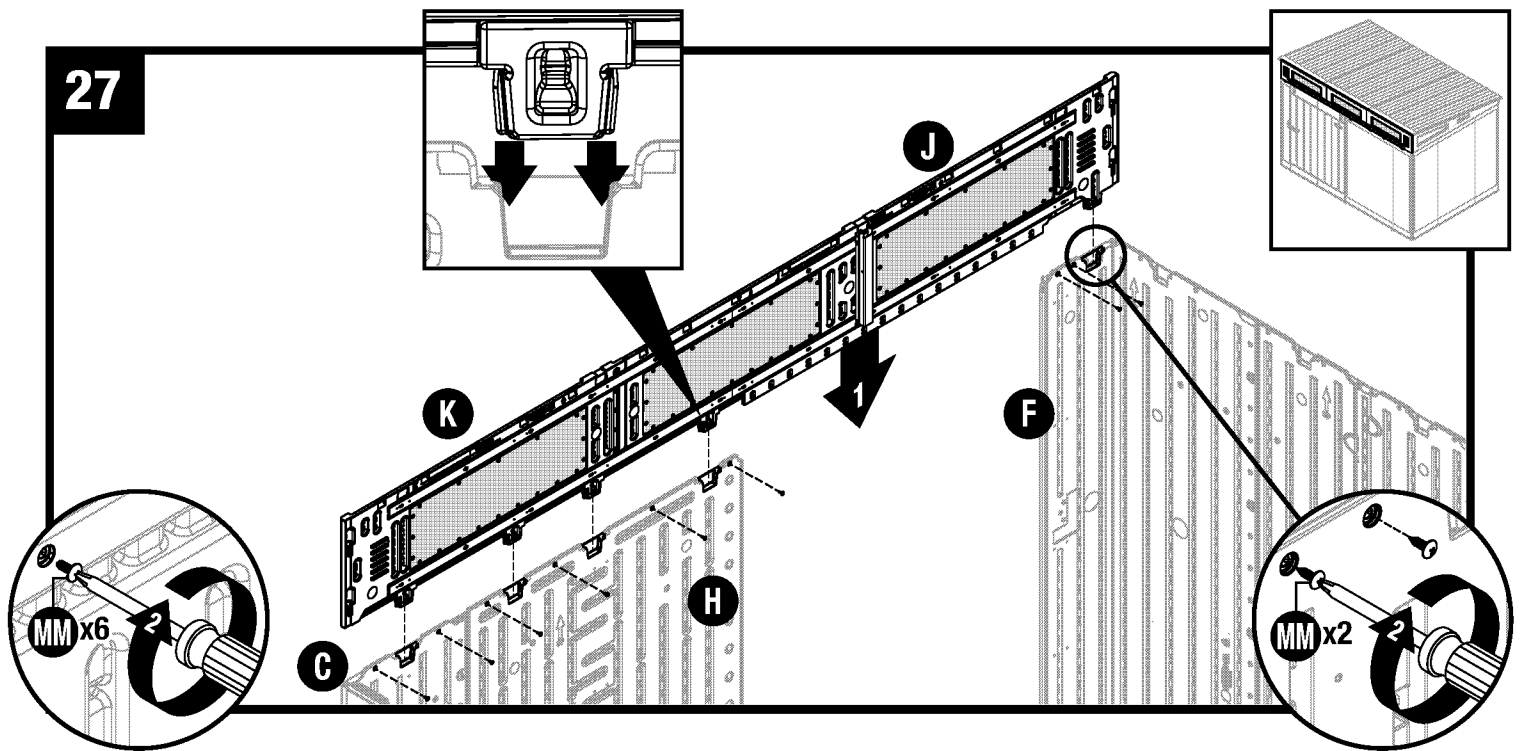


Hardware Needed

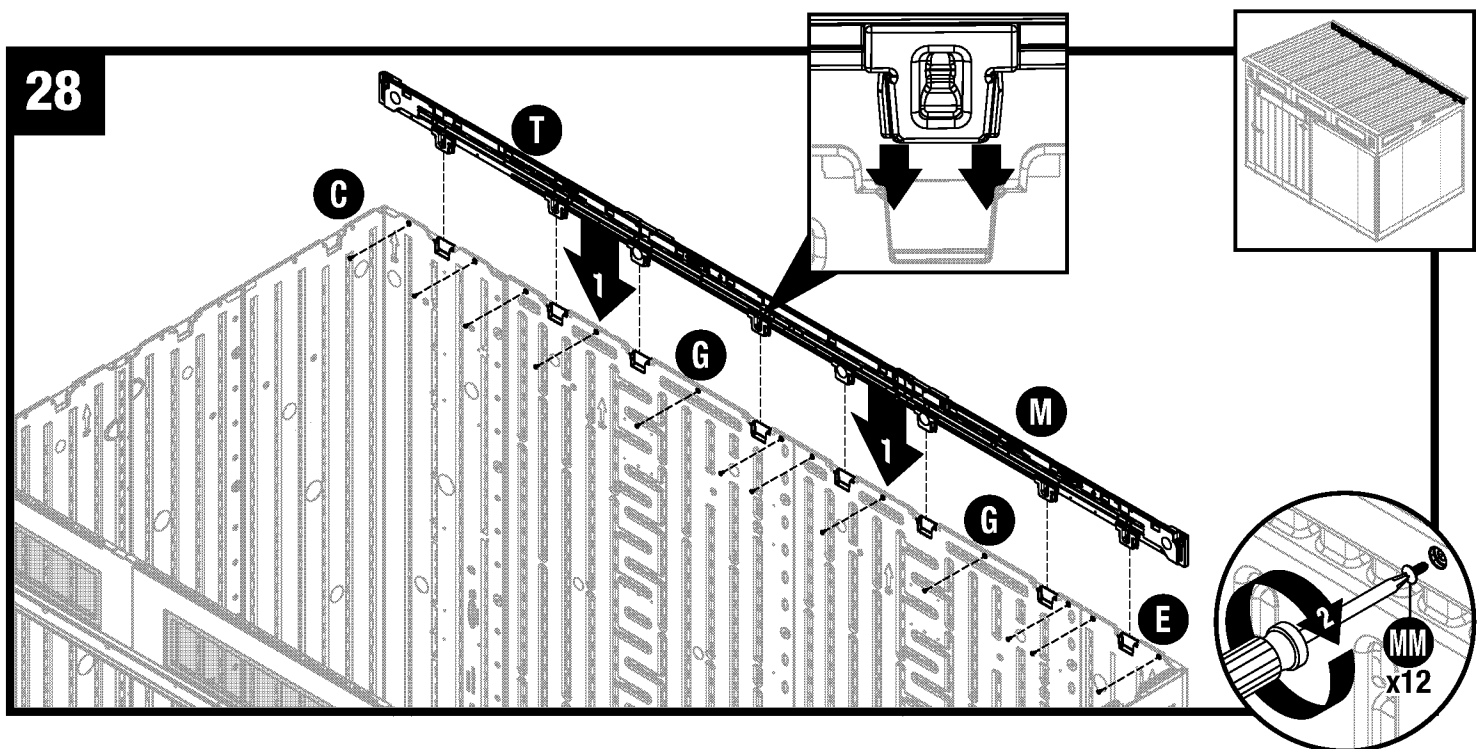


Repeat Steps 19-24 for remaining panels.

Shed Assembly Headers

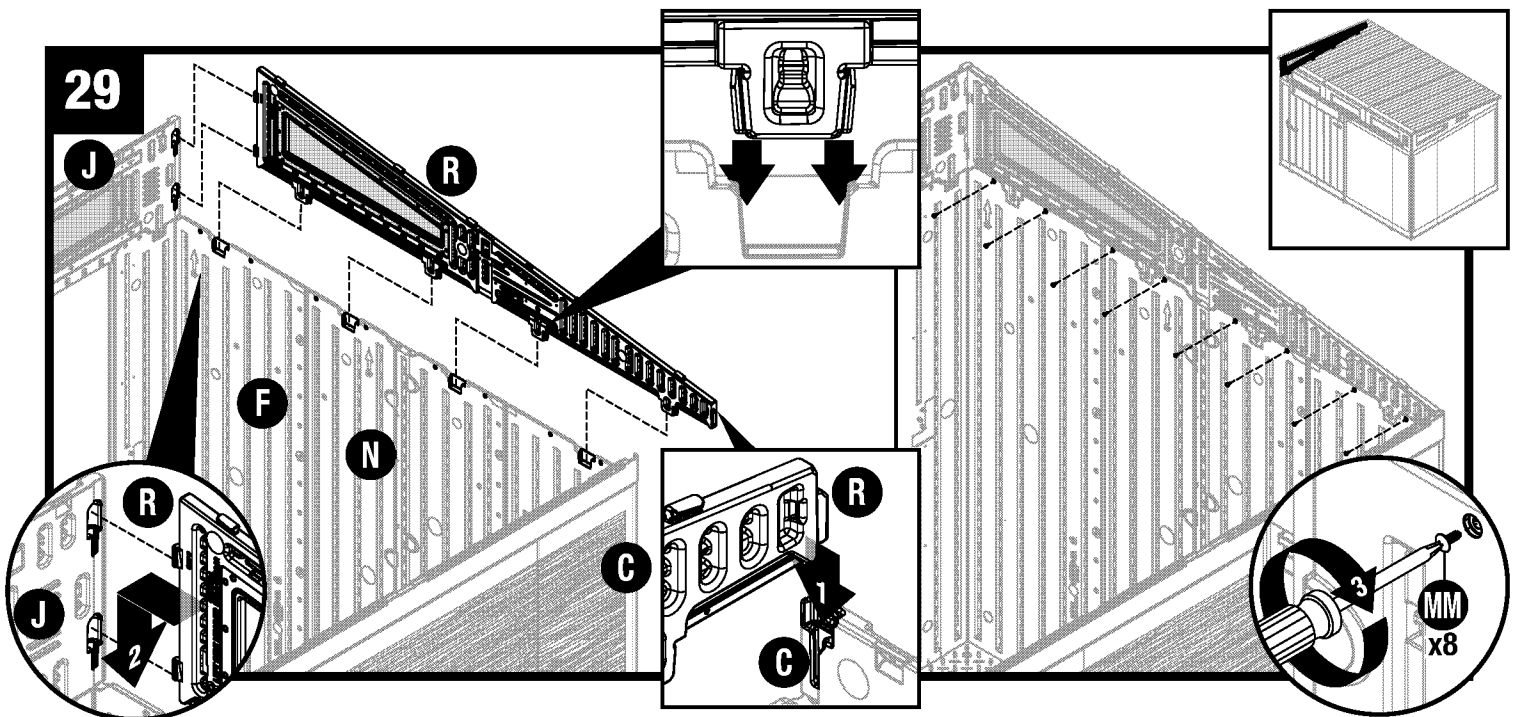


Place left and right (J, K) front header assembly over door opening and fit the five protruding support tabs into pockets in front left corner (F), front right corner (C) and front panel (H). Secure front header with eight screws (MM).



Place left rear (T) and right rear (M) header assembly over back left corner (C), back panels (G) and back right corner (E) and fit the eight protruding tabs into pockets provided. Secure rear header with 12 screws (MM).

Shed Assembly Headers/Latch Plate



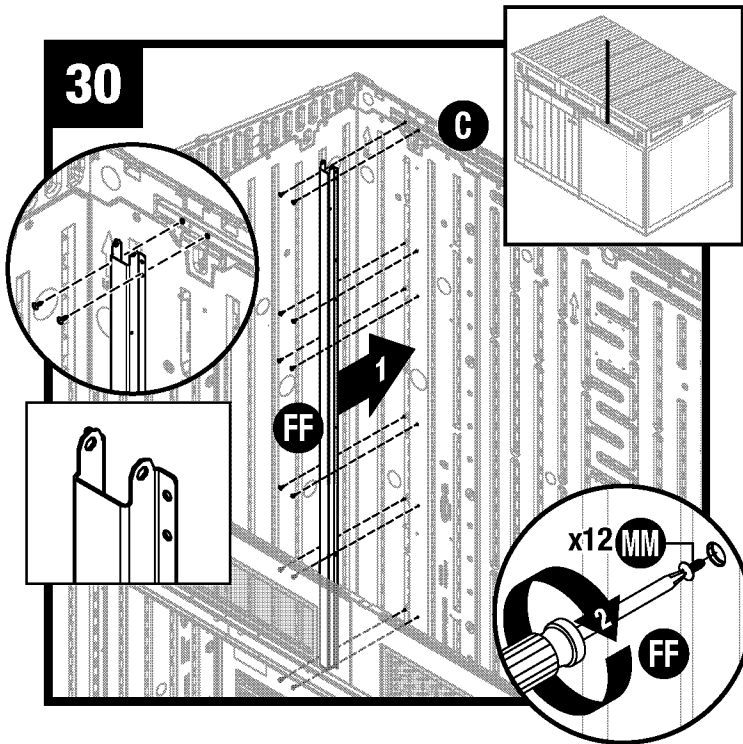
TIP: Have a second person hold wall from inside.

Place left side header (R) into left front header (J) and over left front corner (F), side panel (N), back left corner (C) and rear left header (T). Insert the protrusion at the back of left header (R) into the slot in the rear header (C) and press down on left header (R) to secure in position. Insert the two protrusions at the front of the left side header (R) into the slots provided on the end of the front left header (J) and press down into slots. Fasten the left side header (R) with eight screws (MM).

Repeat for Right Side Header (P).

Shed Assembly Steel Frame/Roof Steel

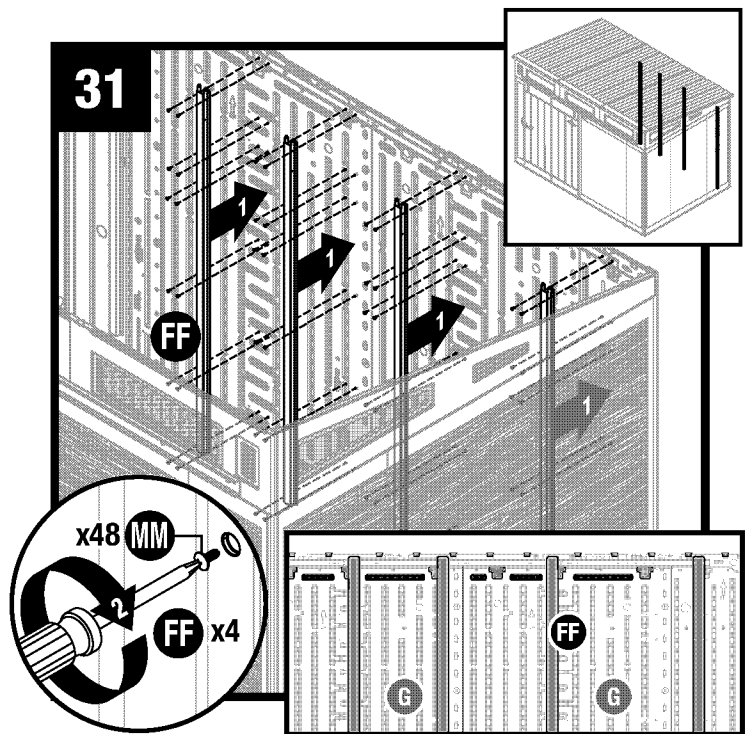
! CAUTION: Wear gloves when handling steel frame parts.



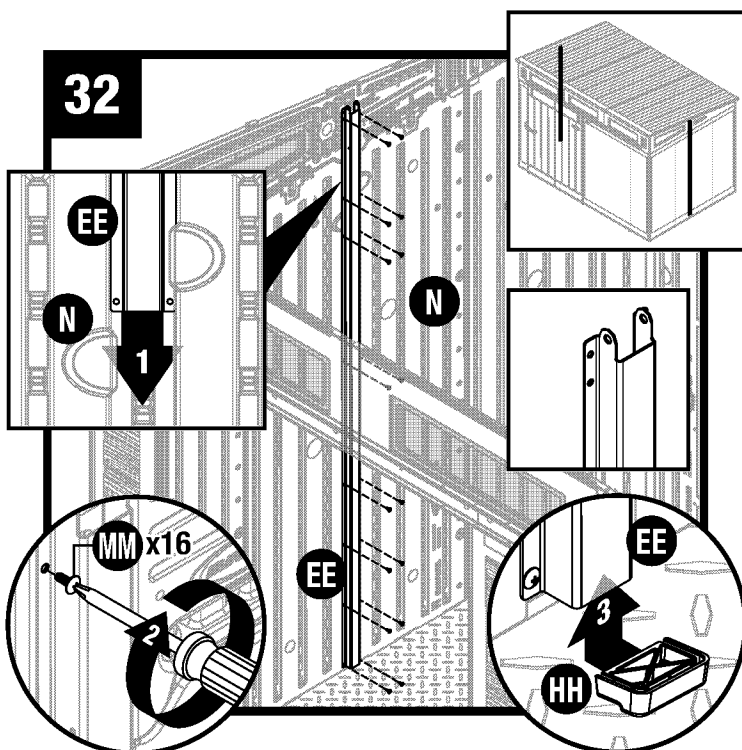
Place one 68 7/8" wall adapter (FF) in position on back left corner (C). Secure with 12 screws (MM).

Note: Critical Orientation of bracket is shown and used in next steps.

Repeat steps with the remaining five 68 7/8" wall adapters (FF) on back and right back corner panels (G, E).



Repeat step 30 with the remaining four 68 7/8" wall adapters (FF) on back and right back corner panels (G, E).

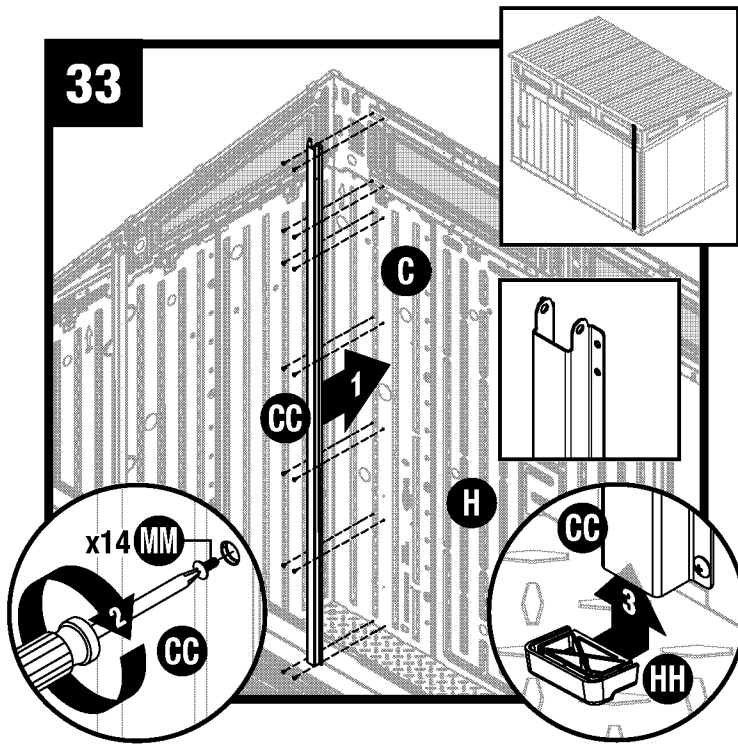


Attach one 79 1/8" side adapter (EE) to side panel (N) by sliding it in place from above. Secure with 16 screws (MM). Install a wall adapter cap (HH) to bottom of 79 1/8" side adapter (EE).

Note: Critical Orientation of bracket is shown.

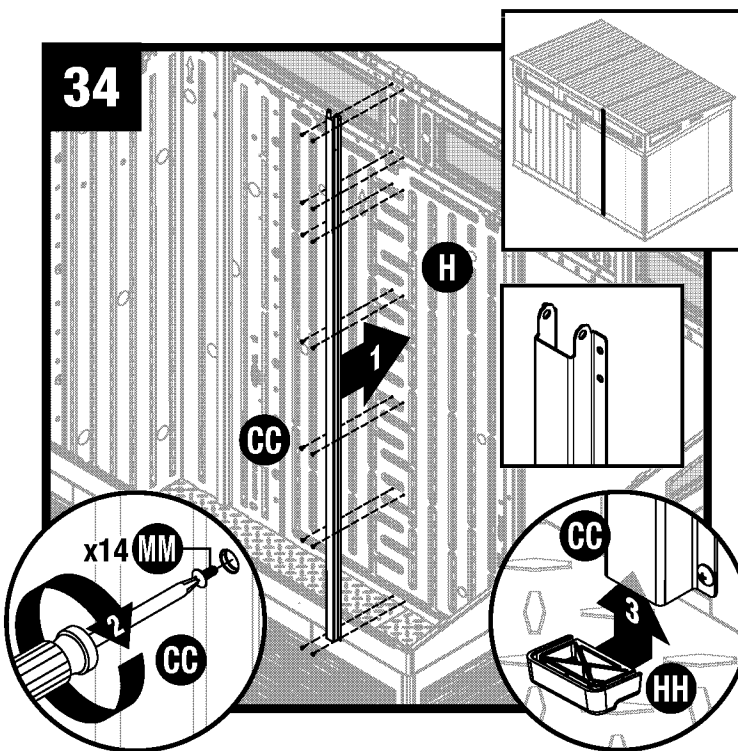
Repeat for the remaining 79" side adapter (EE) on right side of the shed interior.

Shed Assembly Steel Frame / Roof Steel (continued)



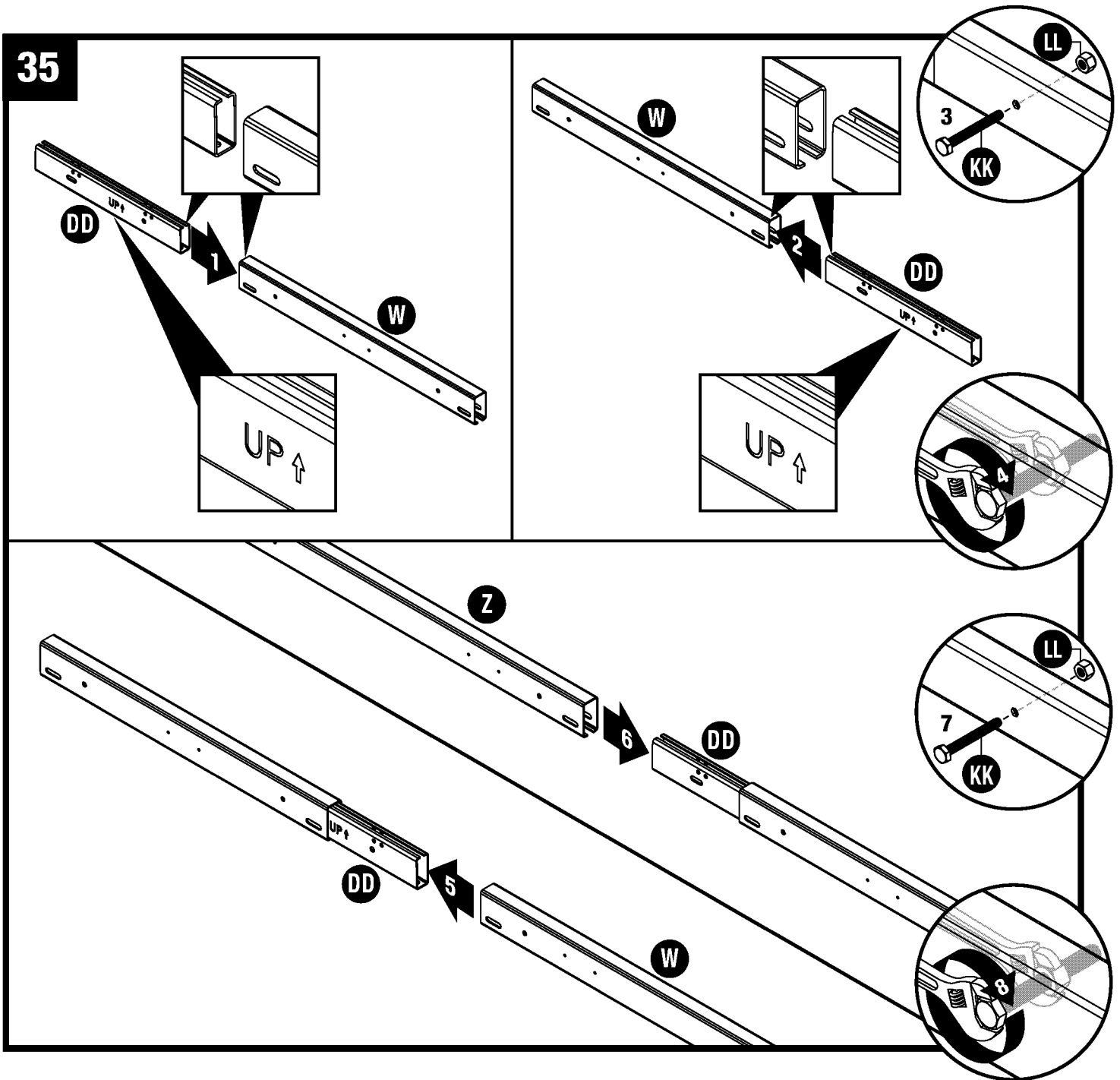
Place one 86 5/8" wall adapter (CC) in position on front left corner (C). Secure with 14 screws (MM). Install a wall adapter cap (HH) to bottom of 86 5/8" wall adapter (CC).

Note: Critical Orientation of bracket is shown and used in next steps.



Repeat step 33 with the remaining 86 5/8" wall adapter (CC) on front panel (H).

35



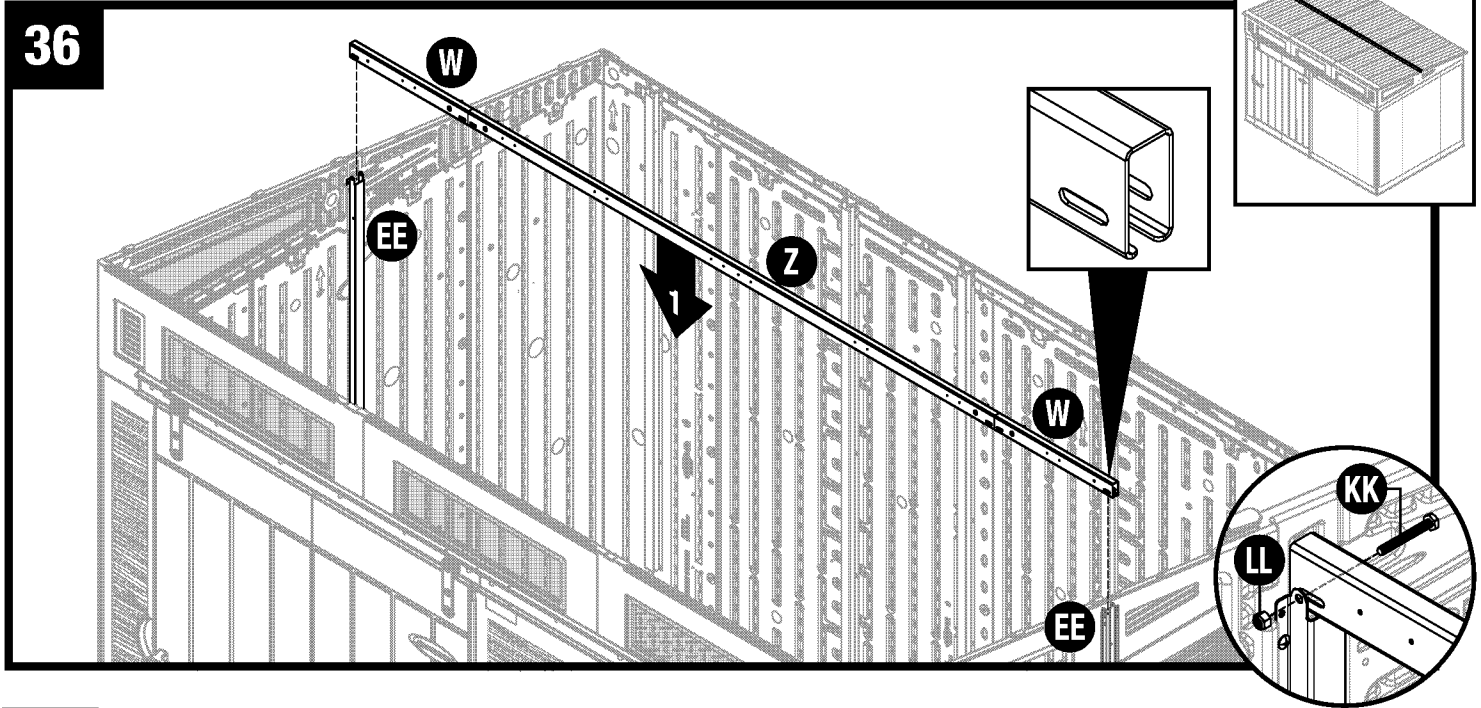
Place a ridge beam connector (DD) into 19 1/2" ridge beam (W). Repeat for the remaining beam connector (DD) and 19 1/2" ridge beam (W). Secure with hex bolt (KK) and nut (LL).


IMPORTANT: Orientation of parts DD and W are critical. Be sure ridge beam connector (DD) "UP" direction is oriented in relation to 19 1/2" ridge beam (W) as shown, see inset. **OPEN SIDES MUST NOT BE ALIGNED.**

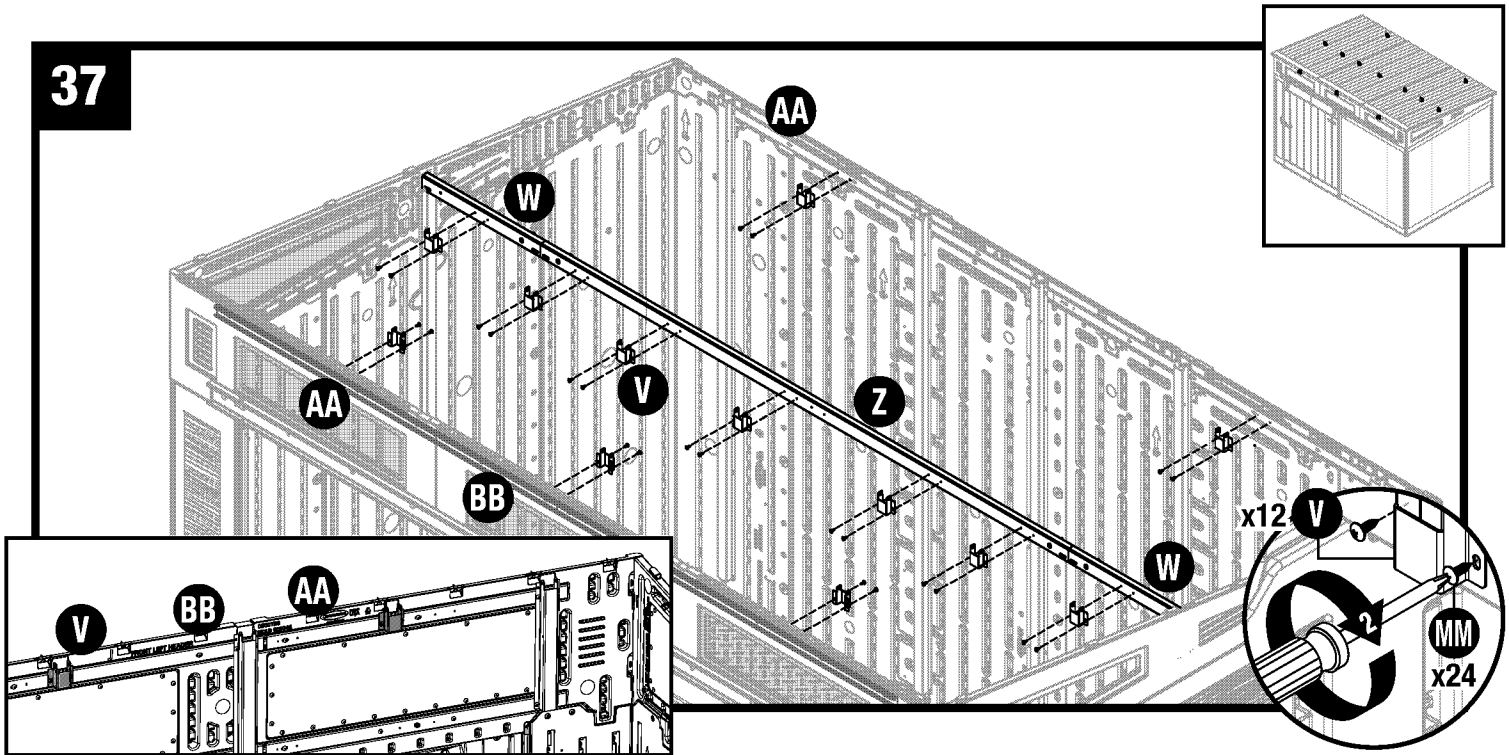
Place one ridge beam connector (DD) with ridge beam (W) assembly into one end of the 87" ridge beam (Z) as shown. Secure with hex bolt (KK) and locknut (LL). Repeat for the opposite end of the 87" ridge beam (Z) and remaining beam connector (DD) with ridge beam (W) assembly.

IMPORTANT: Pay close attention to to orientation of the ridge beam components when assembling.

Shed Assembly Steel Frame / Roof Steel (continued)



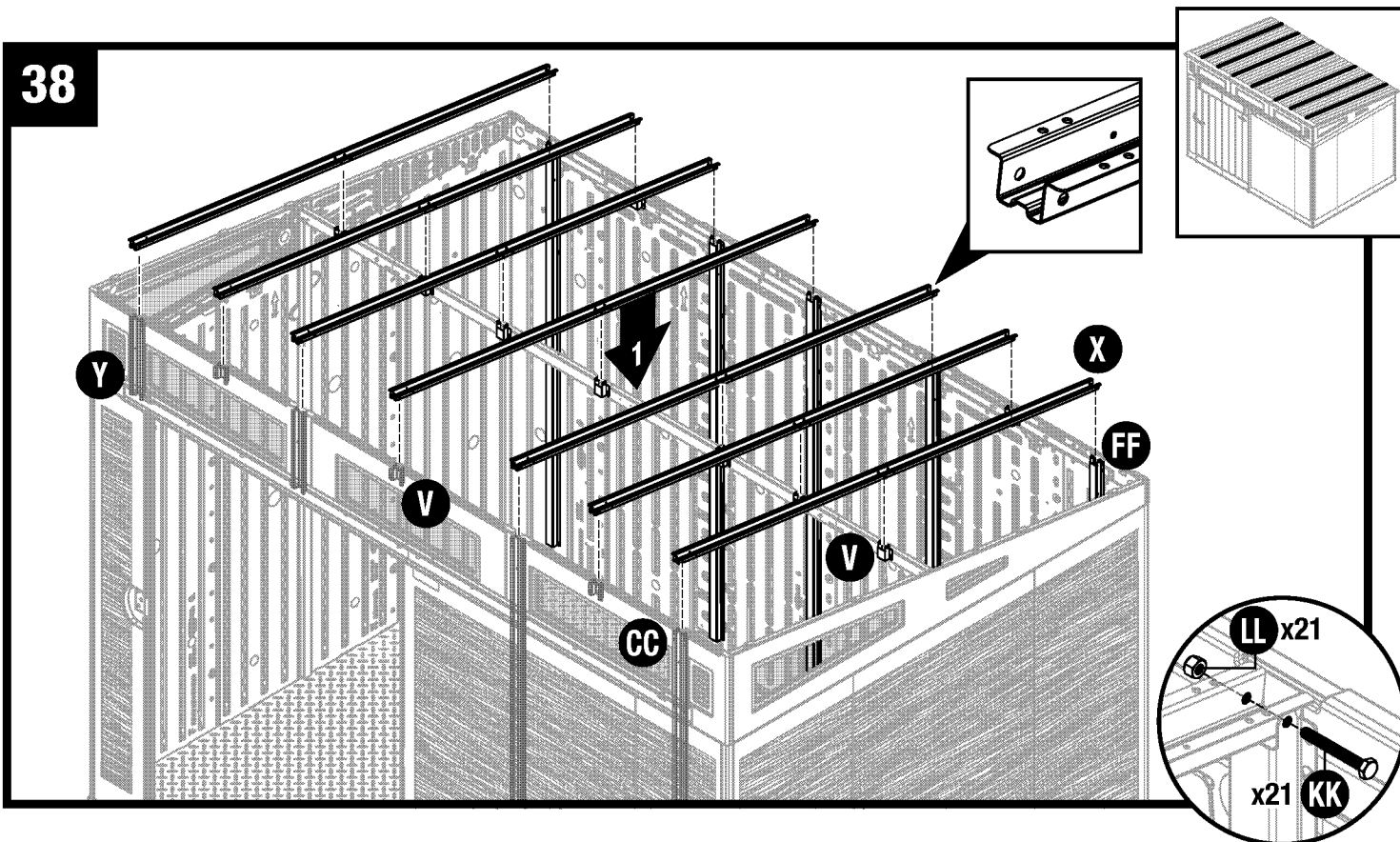
 Place ridge beam assembly (W, Z) into top of the two 79 1/8" side mount side adapters (EE). Secure with one bolt (KK) and one nut (LL) at each end of assembly. **IMPORTANT: Make sure open end of ridge beam assembly is facing down.**



Attach seven support brackets (V) to the front of ridge beam assembly (W,Z), three support brackets (V) to header beams on front header and two support brackets (V) on header beams in rear headers. Secure each support bracket (V) with two screws (MM).

Note: Critical Connection, screws will be difficult to get started in the steel ridge beam assembly.

38

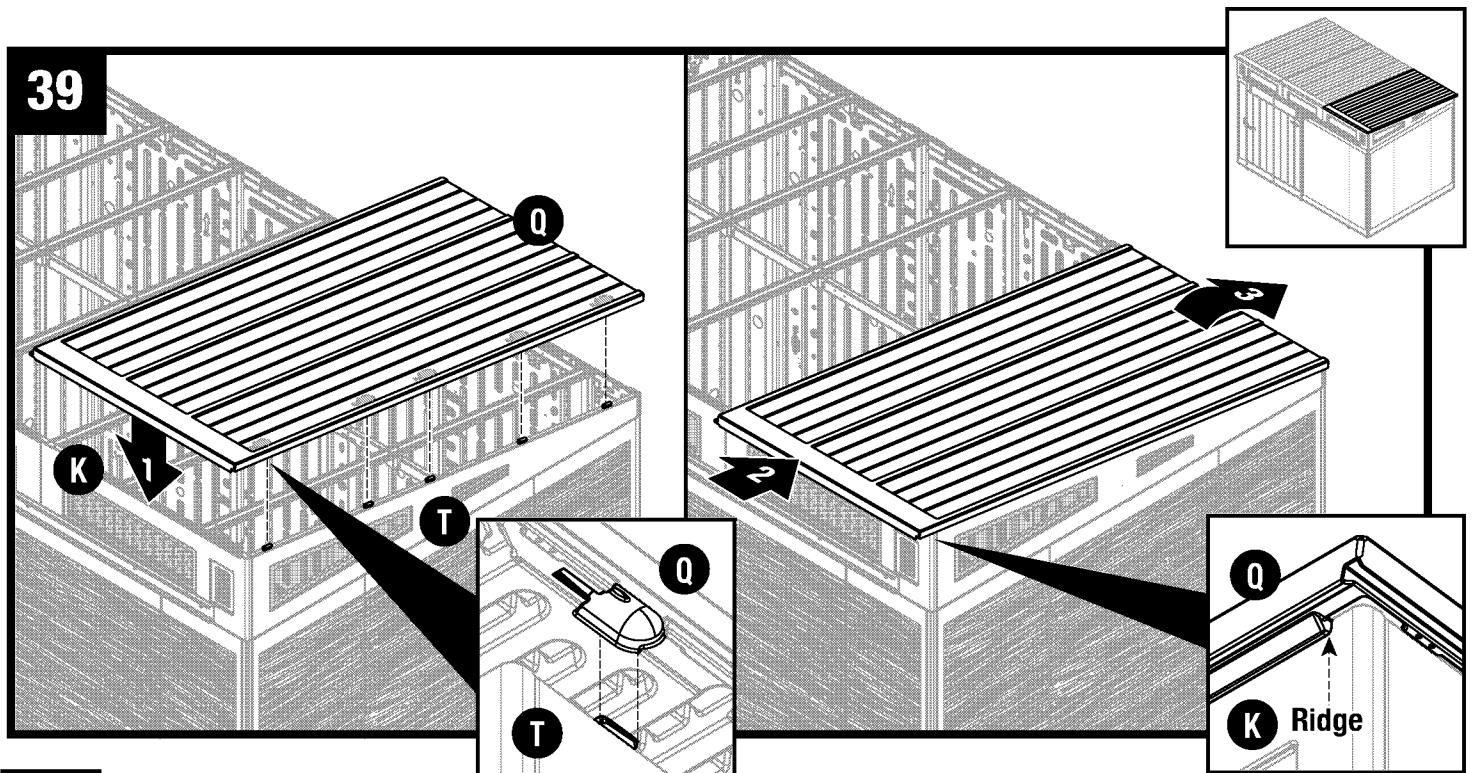


Place a truss leg (X) over wall adapters (CC,FF) and support bracket (V) on the ridge beam. Secure to wall adapters and support brackets with bolts (KK) and locknuts (LL). Do not over-tighten.

TIP: Install bolts (KK) only first into all locations. Install nuts (LL) to bolts after after all bolts are installed.

Repeat for the remaining six truss legs (X), wall adapters (CC, FF, Y) and support brackets (V).

Shed Assembly Roof Panels



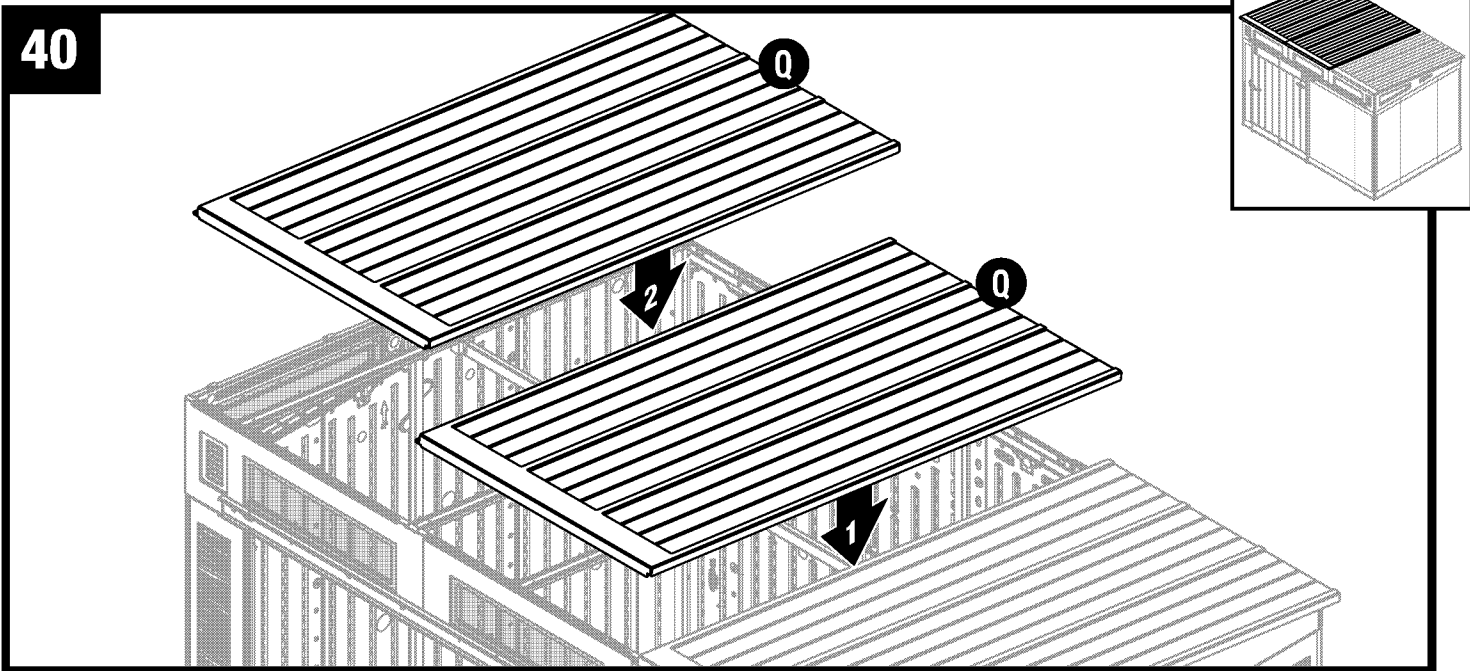
Line up one roof panel (Q) with the right side header (T) so the tabs on the right side header (T) align with the five slots in the roof panel (Q).

Note: The wide band of the roof panel design faces front.

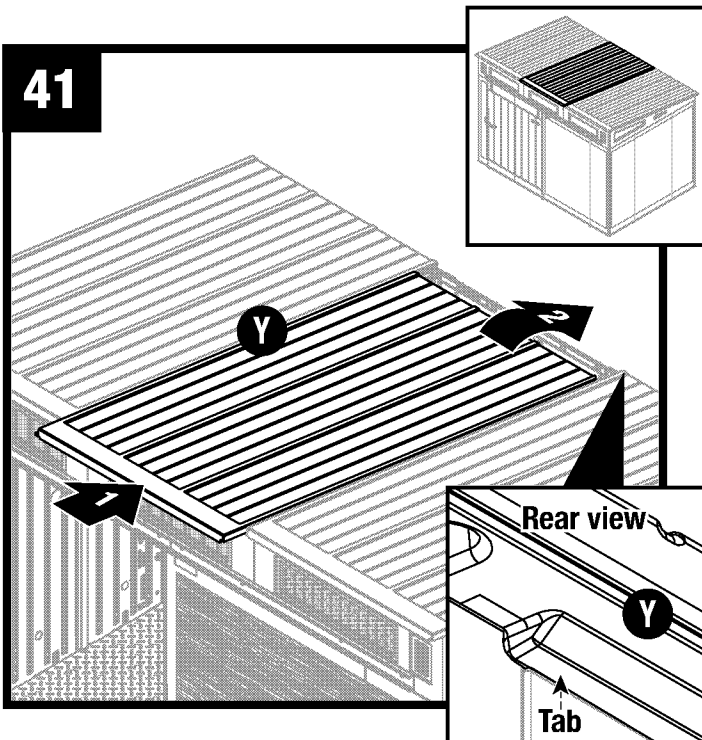
Once the roof panel (Q) is engaged and laying flat on the right side header (T) and with one person holding the roof panel (Q) in place from the outside, slide the roof panel (Q) toward the back wall using a rubber mallet to fully engage the attachment features.

The roof panel (Q) is fully locked into position when the ridge on the underside of the roof panel meets the top of the front right header (K).

IMPORTANT: The roof panels must be installed in a specific order starting with the right side, then proceeding to the middle and finally the left side.



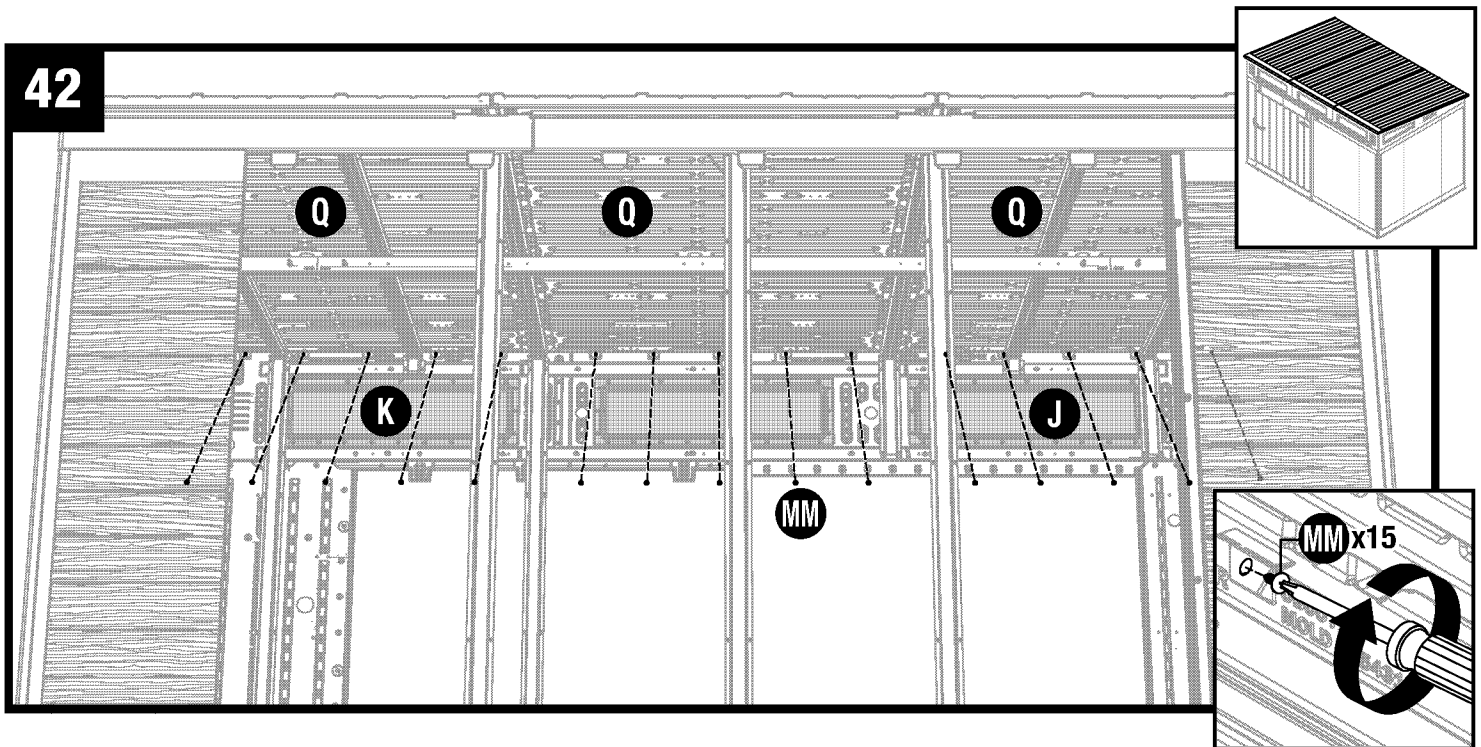
Place a roof panel (Q) to the middle of the shed assembly then place roof panel (Q) on the left side of shed assembly and the left side header (R). Follow step 38 to secure the roof panel (Q) to left side header (R).



Slide middle roof panel toward the back until aligned with right and left roof panels.

Note: Verify roof panels are correctly located when back mounting tabs are located on the back side of the rear side panels.

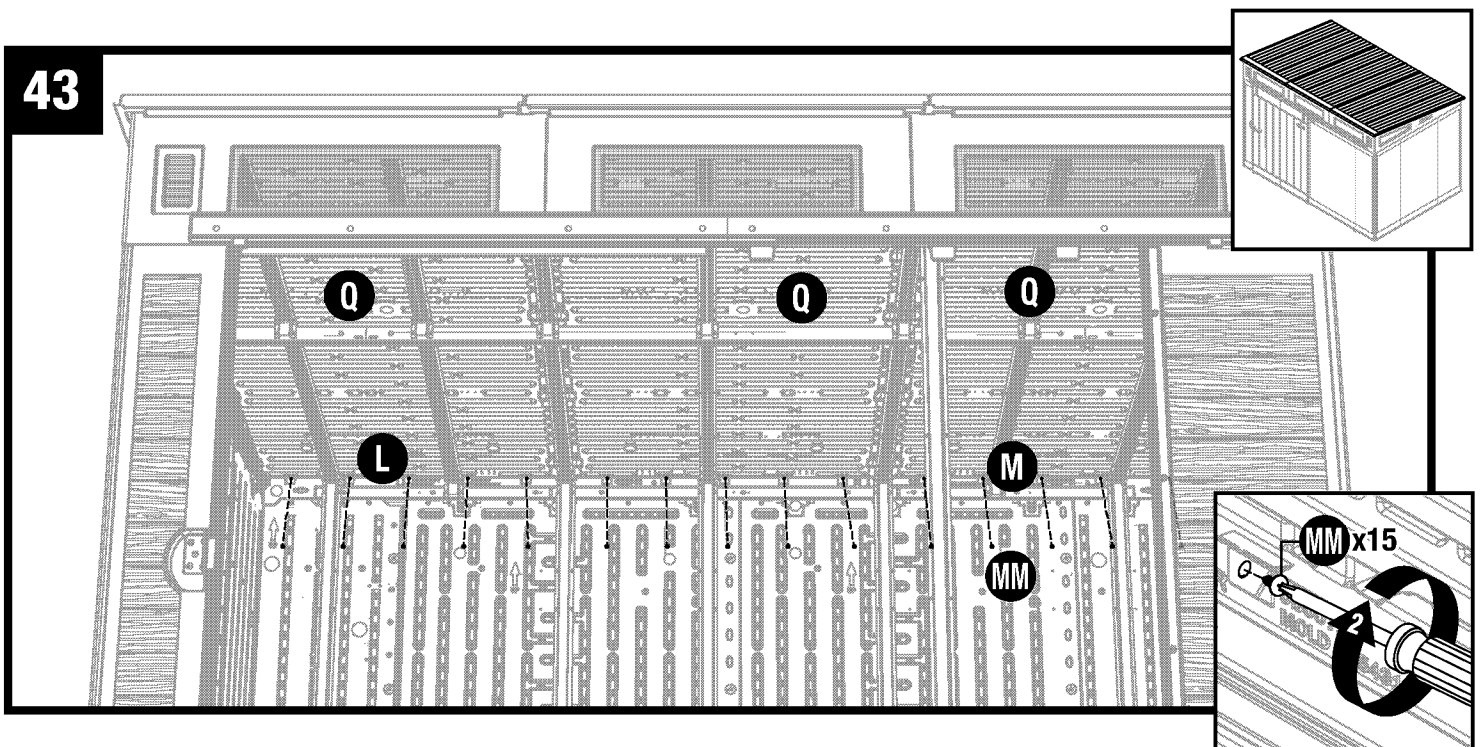
Shed Assembly Roof Panels (continued)



Secure roof panels (Q) to the top of the front right and left header (J, K) assembly using 15 screws (MM).

IMPORTANT: On steps 42-44a use a screwdriver to tighten screws (using a drill could strip the screw receptor detail on panels).

Note: For clarity, illustration is shown with some parts removed.

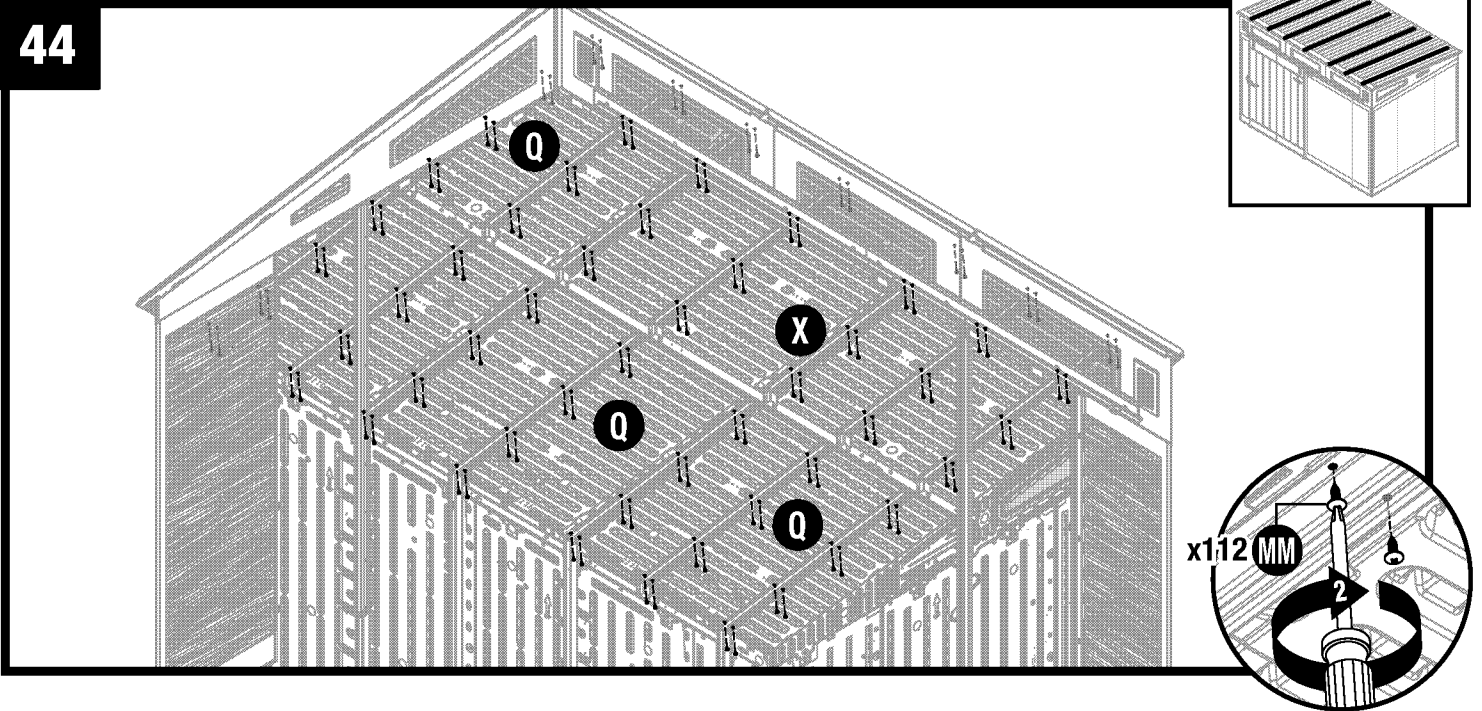


Secure roof panels (Q) to the top of the back right and left header (M, L) assembly using 15 screws (MM).

Note: For clarity, illustration is shown with some parts removed.

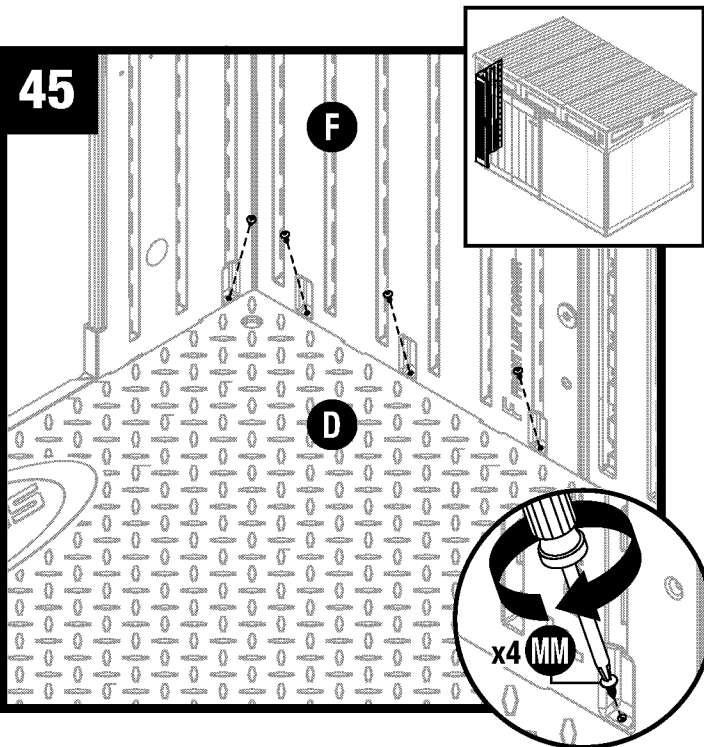
Shed Assembly Roof Panels/Doors

44



Secure each truss leg (X) to the roof panels (Q) with 16 screws (MM) per truss leg (X).

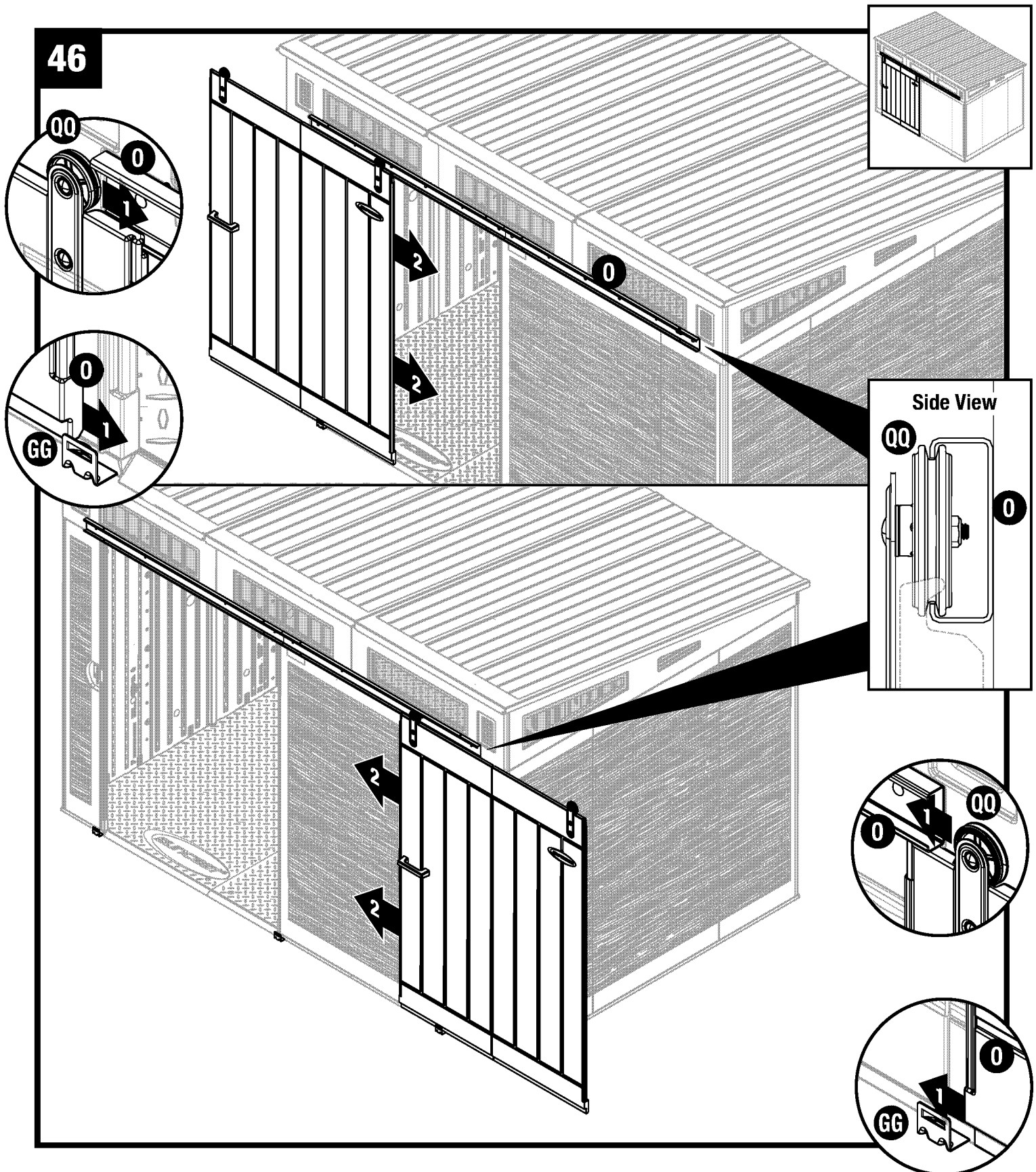
45



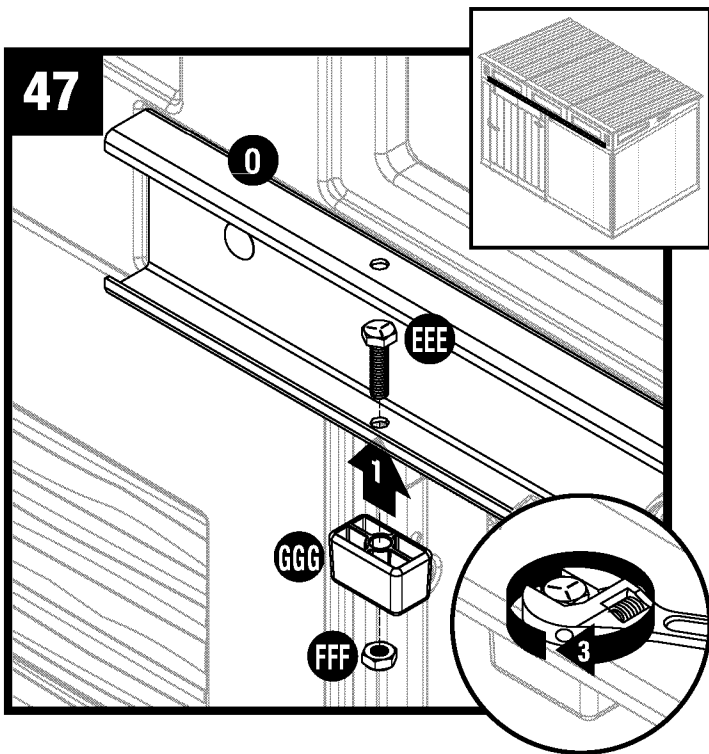
From the inside of the shed, secure the left front corner (F) to the left floor panel (D) with four screws (MM).

Repeat step to secure inside of all remaining corner, front, back and side panels to floor panels.

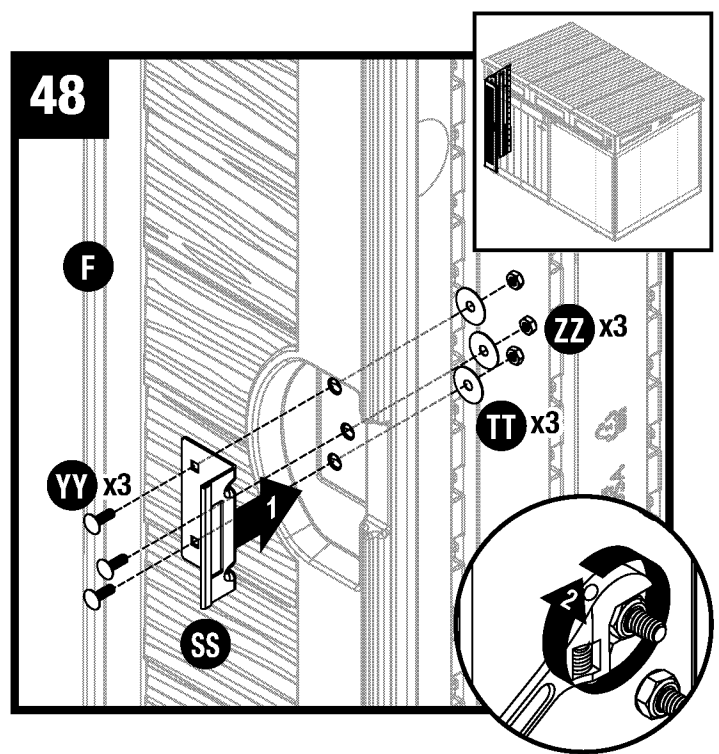
Shed Assembly Roof Panels/Doors (continued)



Slide grooved door track wheels (QQ) into door track (O) from either the right or the left side. Make sure bottom of door panel engages into the bottom door guides (GG).

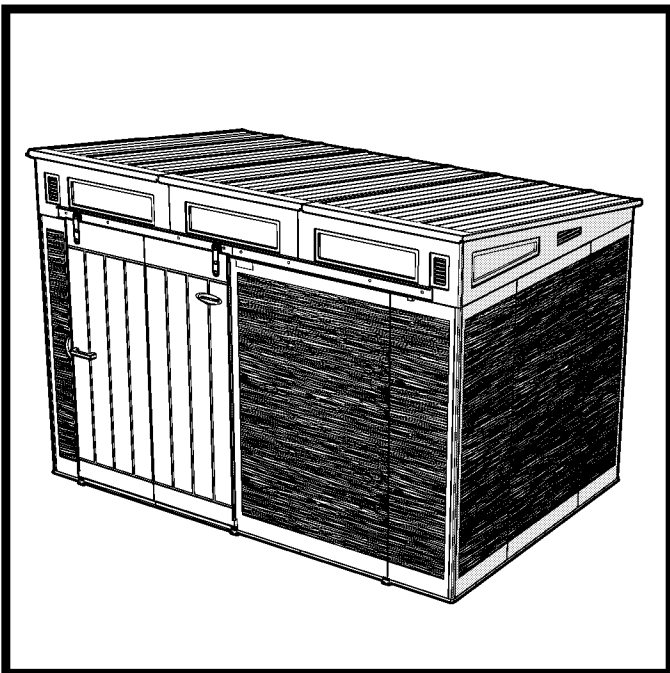


Install a bumper (GGG) to left underside of the door track (O) and secure with bolt (EEE) and nut (FFF).
Repeat for other end of door track.



Install latch catch plate (SS) to right front corner (F) and secure with three bolts (YY), three washers (TT) and three locknuts (ZZ).

Note: The holes for catch plate (SS) may need to be pierced prior to inserting bolts.



Complete.



The label located on the inside of the door contains information regarding your product. The QR code is a direct link to the product registration page on the Suncast website. The codes at the bottom of the label are specifically related to your product. Please have these numbers available should you need to contact Suncast.

