



No. 1028-29 GIMBAL MOUNT

NOTE: Downriggers must face aft while fishing. If downriggers faced outwards, the twisting force will damage the rodholders

- Only heavy duty, all metal, flush mounted rod holders are suitable for use with this product.
- Bracing the lower portion of the rod holder may be required for added strength.
- For added support, place a 1"x6" board, cut to length, into the pocket at front of the plastic plate. Drill two holes in the front face of the plastic plate and secure board with screws.

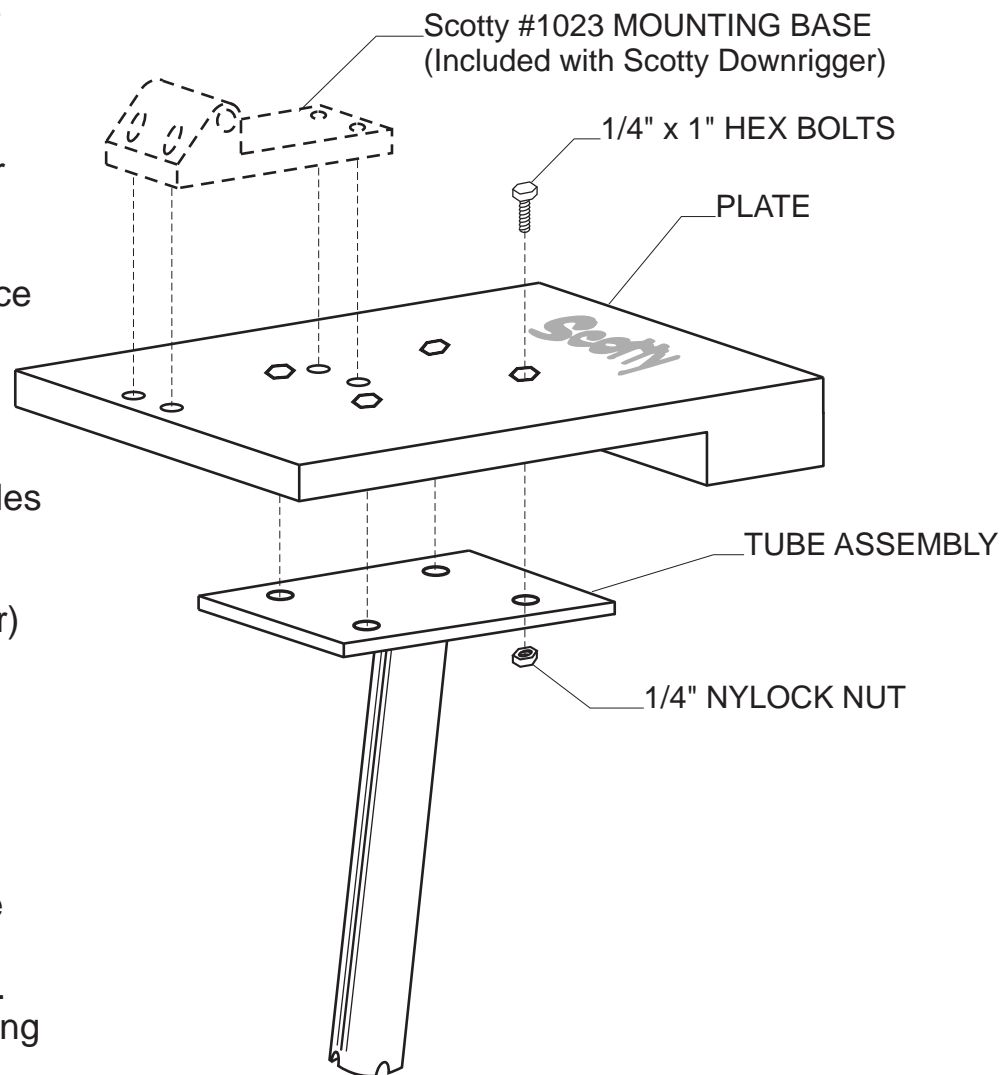
ASSEMBLY INSTRUCTIONS FOR:

No.1050 Depthmaster & No.1060 Depthking:

1. Insert the four 1/4"x1" hex head bolts into the hex shaped holes of the plate (see illustration) and attach the metal tube section with the four 1/4" nyloc nuts.
2. Attach the No.1010 Mounting Base (included with downrigger) with the four 10/24x1-1/4" machine screws and nuts.

All Manual and Electric Downriggers with tilt base:

1. Insert one of the four 1/4"x1" hex head bolts into the plastic plate (see illustration). This bolt must be positioned now before the No.1023 Mounting Base (included with downrigger) is attached, as the Mounting Base will cover the bolt hole.
2. Attach the No.1023 Mounting Base to the 1028-29 Plate (see illustration). Insert the four 1/4"x1" slot head bolts into the Mounting Base and the 1/4" nuts into the underside of the plate.
3. Attach the tube assembly to the plate using the three remaining 1/4"x1" hex head bolts and the 1/4" nyloc nuts.



View [other trolling gear](#) made by [Scotty](#) on our website.