

BASE-CLAMPS HOW IT WORKS:

STEP 1

Select the right size clamp
(Various sizes sold
separately)

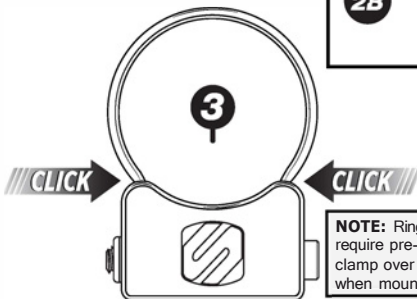
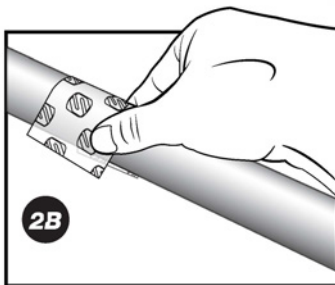
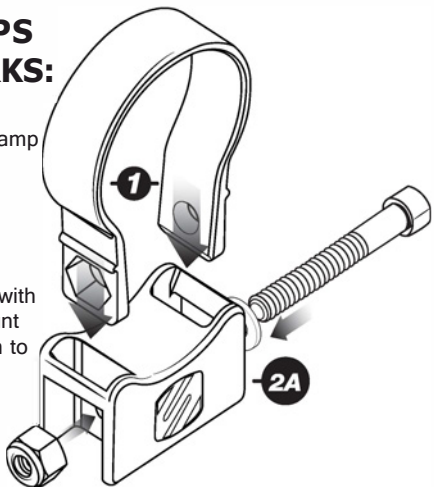
STEP 2

Select the base & ring
clamp that coincides with
what you need to mount
2A. Use protective film to
prevent any paint
damage 2B.

STEP 3

Lock it in place

The self locking clamp design
allows for easy one
person installation. Simply slip the
clamp over tube and lock in your
base, secure using the stainless
mounting hardware and you are
ready to Mount Up and Move Out.



NOTE: Ring clamps 2" & over in size may
require pre-stretching to help spread the
clamp over the tube. (Use Protective film
when mounting)

SCOSCHE

PSM31001

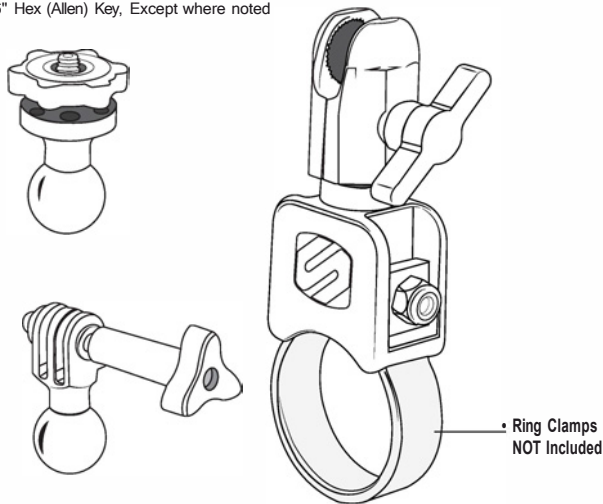
CAMERA/ GoPro® MOUNT BASE

PARTS INCLUDED

- (1) Camera Base Adjustment Mount
- (1) 1/4" -20 Screw Mount
- (1) GoPro® Mount

TOOLS REQUIRED (Not Included)

3/16" Hex (Allen) Key, Except where noted



*VARIOUS RING CLAMP SIZES SOLD SEPARATELY W/ HARDWARE *

- PSC21006 - BaseClamp 1.5" Tube Clamp
- PSC21007 - BaseClamp 1.625" Tube Clamp
- PSC21009 - BaseClamp 1.75" Tube Clamp
- PSC21010 - BaseClamp 1.85" Tube Clamp
- PSC21011 - BaseClamp 1.875" Tube Clamp
- PSC21012 - BaseClamp 2" Tube Clamp

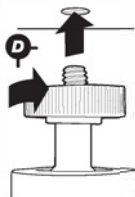
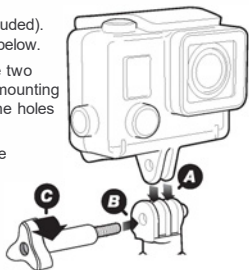


DEVICE SETUP GUIDE

MOUNTING ADAPTER for GoPro®

Requires GoPro® camera with waterproof case (not included).

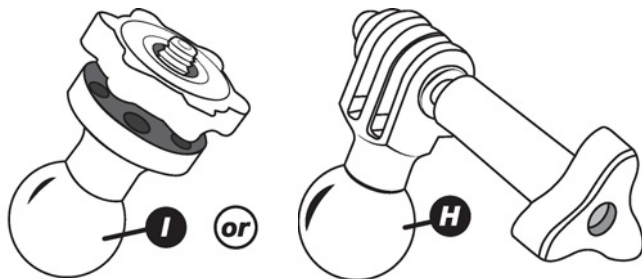
1. Attach ball adapter to the mounting base as show below.
2. Place the camera case onto the adapter so that the two mounting brackets on the case fit between the (3) mounting brackets on the adapter as shown (A). Make sure the holes on both sets of brackets are aligned.
3. Insert the threaded end of the clamping arm into the bracket holes (B), and thread into the threaded nut at the opposite end and tighten until snug (C). Loosen the arm to adjust the angle of the camera.



1/4" THREADED MOUNTING ADAPTER

for devices with a 1/4" threaded mount

1. Attach the ball adapter to the mounting base as shown on the following page.
2. Screw the 1/4" threaded mounting adapter directly into the 1/4" mounting hole on device.



PSM31001

Camera/GoPro® Mount Base

STEP 1

Choose a mounting location (D).

STEP 2

Mount base to the appropriate sized clamp ring for the vehicle (E*).

Note: Do not exceed 200 inch-pounds

STEP 3

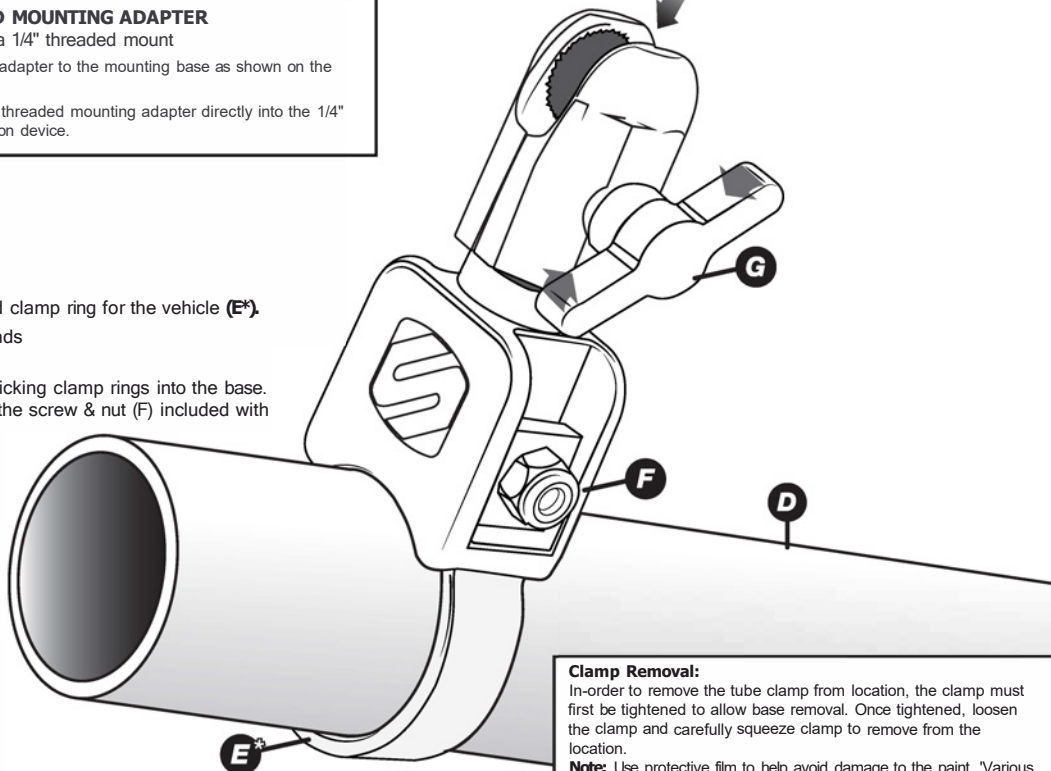
Position the base into location by clicking clamp rings into the base. Then use a 3/16" hex key to fasten the screw & nut (F) included with the ring clamp*. Continue until clamp is tight and does not move.

Note: Do not exceed 200 inch-pounds

STEP 4

Tighten/Loosen the ball and hinge joint using the mounted turn knob (G) on the mount base.

Note: Use the knob to loosen, tighten or switch-out the 1/4" -20 screw mount (J) or the GoPro® mount (H).



Clamp Removal:

In-order to remove the tube clamp from location, the clamp must first be tightened to allow base removal. Once tightened, loosen the clamp and carefully squeeze clamp to remove from the location.

Note: Use protective film to help avoid damage to the paint. *Various ring clamp sizes available (sold separately w/ hardware)