

TerraClamp™

MAGICMOUNT™ Pro Handlebar

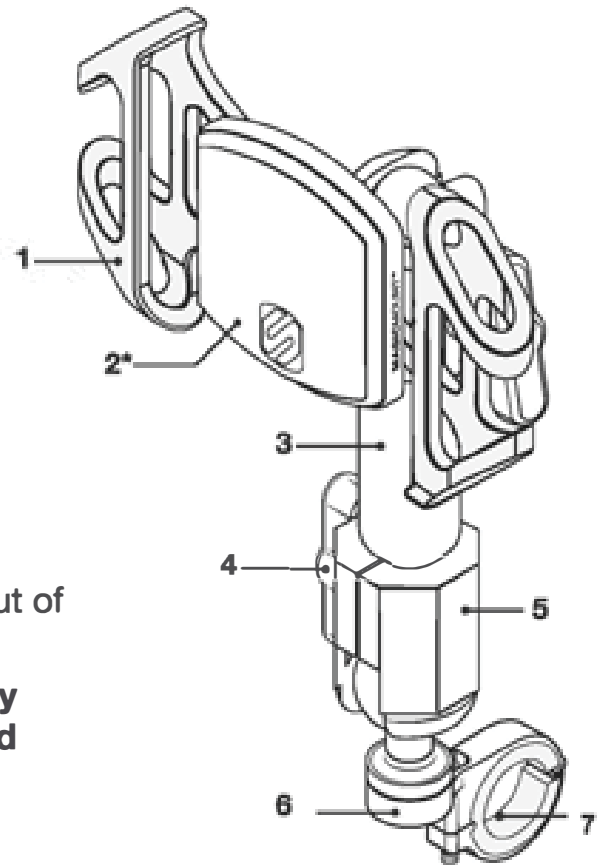
PARTS INCLUDED

1. (1) Elastic Band
2. (1) *MAGICMOUNT™ w/ Mounting Plates
3. (1) 1.5" Extension Bar
4. (2) Adjustment Knobs w/ Washers
5. (2) Mounting Adapters
6. (1) Handlebar Clamp
7. (3) Ring Inserts**

***Caution:** This magnetic mount is not a toy. The small magnetics are harmful if swallowed. Keep out of reach of children.

WARNING: Do not use the magnetic mount with any hard-drive based devices such as iPod classic, iPod video and Zune MP3 players.

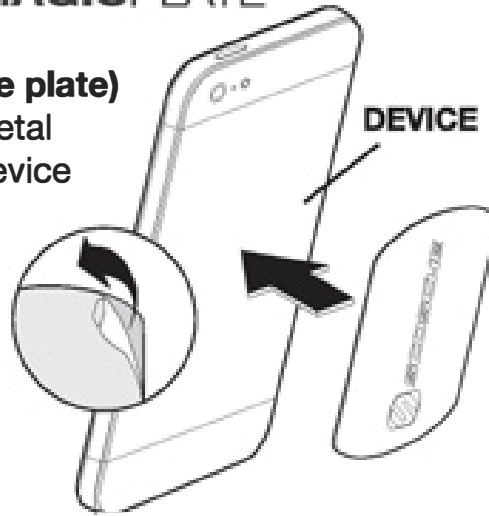
****Ring Inserts Sizes Included:** .875", 1" & 1.125"



MOUNTING THE MAGICPLATE™

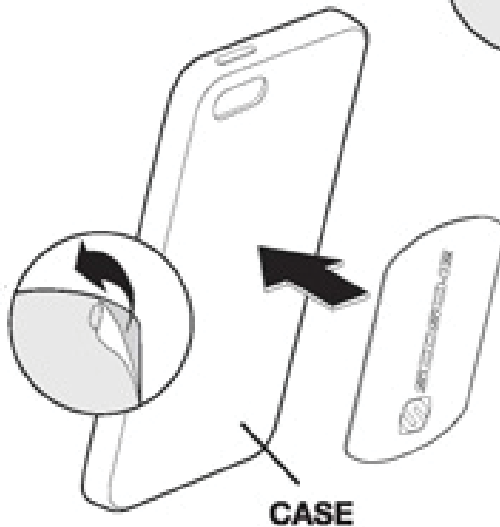
OPTION 1 (small or large plate)

Attach adhesive side of metal plate directly to back of device



OPTION 2 (small or large plate)

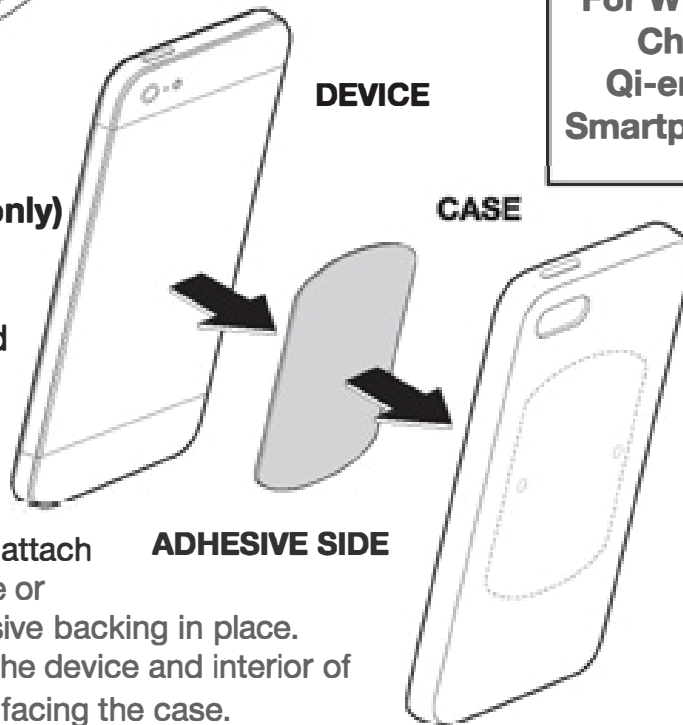
Attach adhesive side of metal plate directly to back of case



OPTION 3 (large plate only)

Attach adhesive side of metal plate to interior of case, between device and inside of case. Plate will adhere to magnetic mount through rear panel of case.

NOTE: If you choose not to attach the metal plate to the device or case please leave the adhesive backing in place. Position the plate between the device and interior of case with the metal surface facing the case.

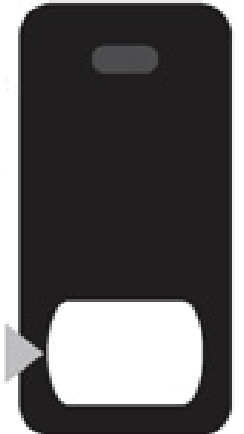


MAGICPLATE™ PLACEMENT

For Typical
Smartphones



For Wireless
Charging
Qi-enabled
Smartphones



REMOVING THE MAGICPLATE™

Use a thin plastic card to carefully lift the plate's adhesive surface from the mounting surface. Slowly lift up and remove the plate.

ASSEMBLY

Instructions

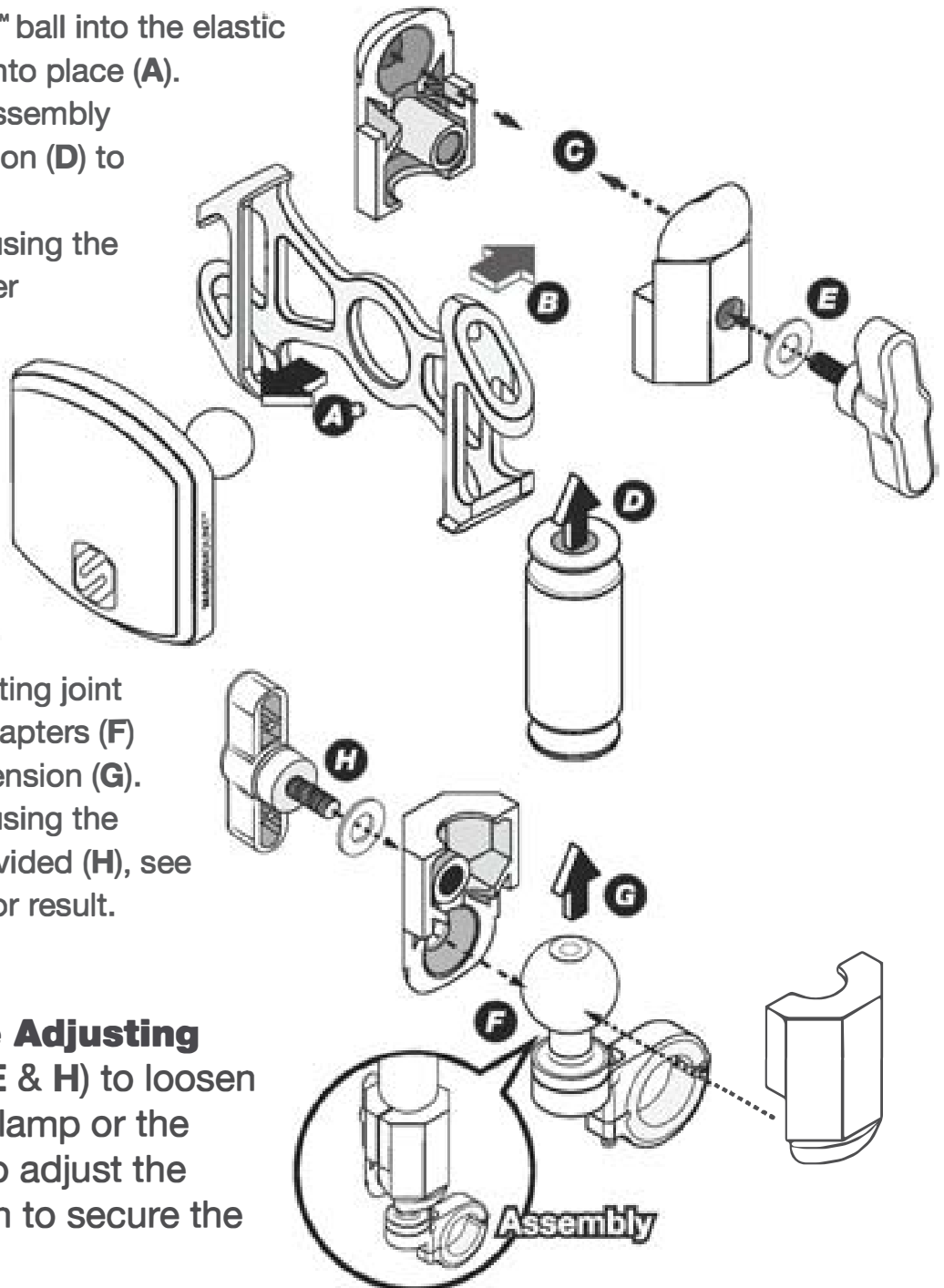
1. Install **MAGICMOUNT™** ball into the elastic center ring and hook into place (**A**).
2. Mount the magnetic assembly (**B**) and the bar extension (**D**) to the two adapters (**C**).
3. Secure the assembly using the screw knob and washer provided (**E**).

* **NOTE:** For a stable & secure riding experience we recommend using the provided elastic band when mounting the device to a mobile application. Elastic band is not necessary for stationary applications **ONLY**.

4. Place the clamp mounting joint in-between the two adapters (**F**) along with the bar extension (**G**).
5. Secure the assembly using the screw and washer provided (**H**), see *Assembly* illustration for result.

Device Clamp Angle Adjusting

Use the screw knobs (**E & H**) to loosen and tighten either the clamp or the MagicMount. Loosen to adjust the angle/rotation or tighten to secure the positioning up to 360°.

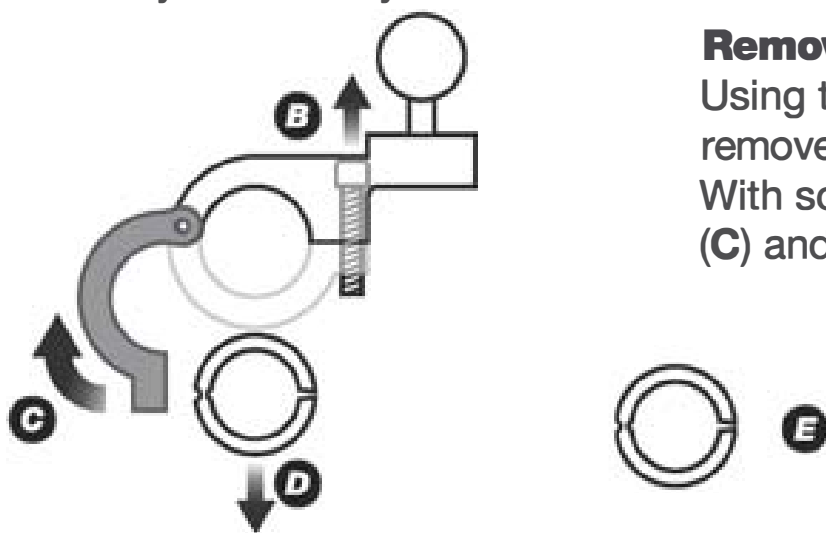
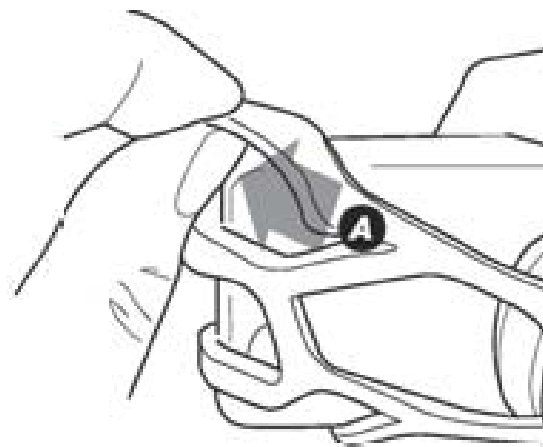


SET-UP GUIDE

Elastic Band

With the metal plate positioned onto the device, align the elastic band with your device and attach to the corners of your device as shown (A). The elastic band will secure your device while riding.

NOTE: Elastic band can be attached horizontally or vertically



Removing Handlebar Clamp

Using the appropriate size allen key, remove the screw securing clamp (B). With screw removed, open the clamp (C) and remove insert from location (D).

Mounting Handlebar Clamp

Place the appropriate size ring insert onto the handlebar location (E). Secure the insert by clamping the lower hinge onto the location (F). Secure the clamp using the provided screw with an appropriate size allen key.

