

Sabelt

2020 - CATALOGUE

Sabelt



Sabelt[®]

CATALOG
2020

24h
LE MANS



Technical Partner

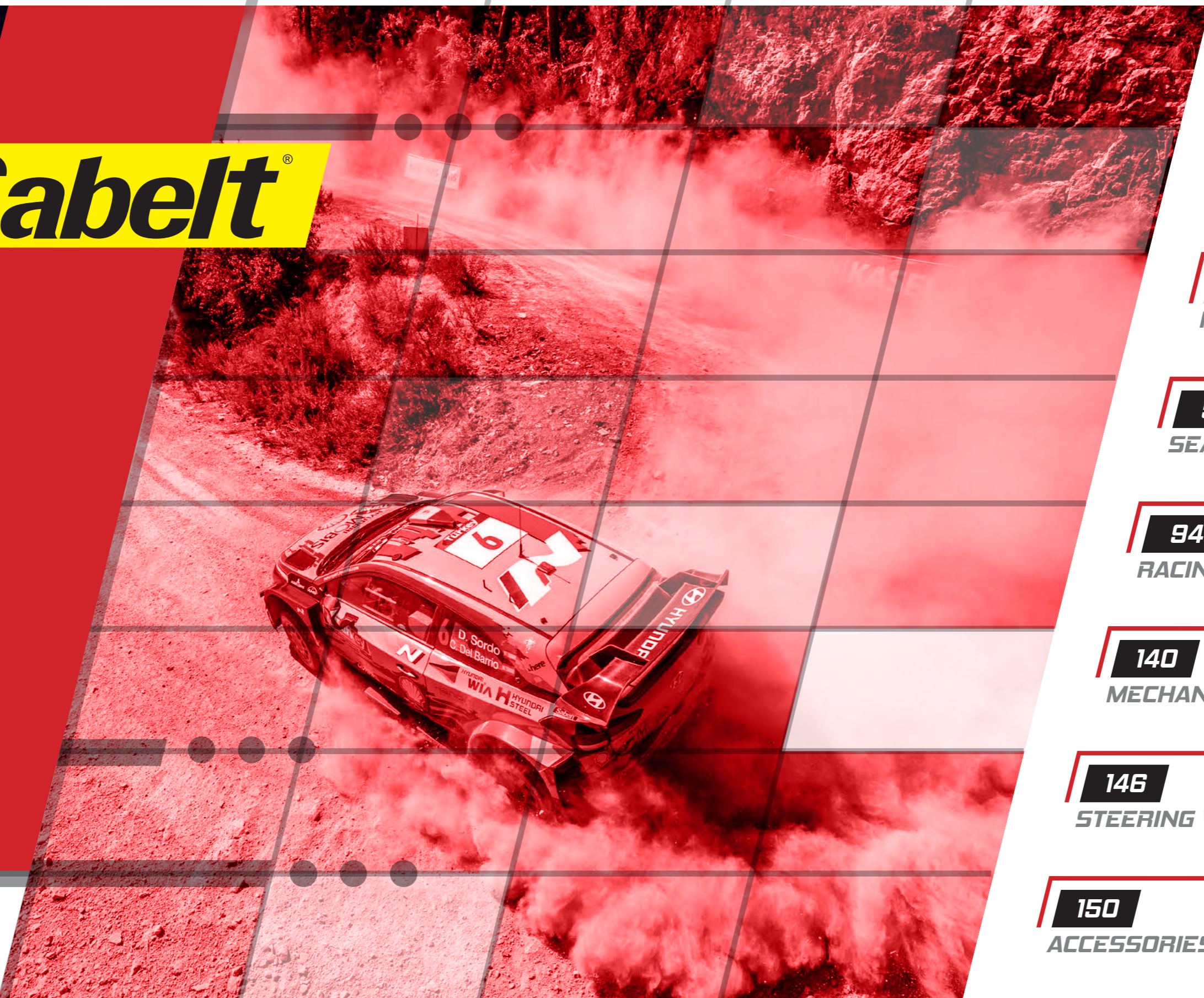
Competizioni GT

Sabell®



Ferrari 488 GTE Le Mans 2019

Sabelt®



12
HARNESSES

52
NETS

56
SEATS

94
RACING WEAR

140
MECHANICS

146
STEERING WHEELS

150
ACCESSORIES



HERITAGE

Our personal history shows what we are able to be and identify what we could become. We have provided the top historical car manufacturers with innovative restraint systems for decades, combining a smart use of seat belts and seats for different applications: from the world of motorsport to the automotive industry and the aerospace. Top Formula 1 drivers past and present as Ayrton Senna, Michael Schumacher, Sebastian Vettel and Daniel Ricciardo have chosen to work and collaborate with us.



SAFETY

For Sabelt, safety is of the utmost importance: first in the car, supplying the best seat belts in the world, second for drivers all over categories and championships. We develop new technologies, new solutions and new materials: that's why we have expanded our offer. Today Sabelt is not only the European leader for safety belts but it is a company able to invest, to develop and to produce accessories, fire-proof wear and seats for every type of race. We have provided the top historical car manufacturers and drivers with innovative restraint systems for decades and we are the only one able to test components at extreme conditions thanks to an internal advanced dynamic crash test. To reach so important goals, we set high technology laboratories, we receive the best specialists of this sector and we choose the most reliable partners.



DESIGN

Sabelt offers high performance levels integrated with style and design. Each component is designed and engineered either exclusively by Sabelt in support with external Design&Style centres or in partnership with the client.



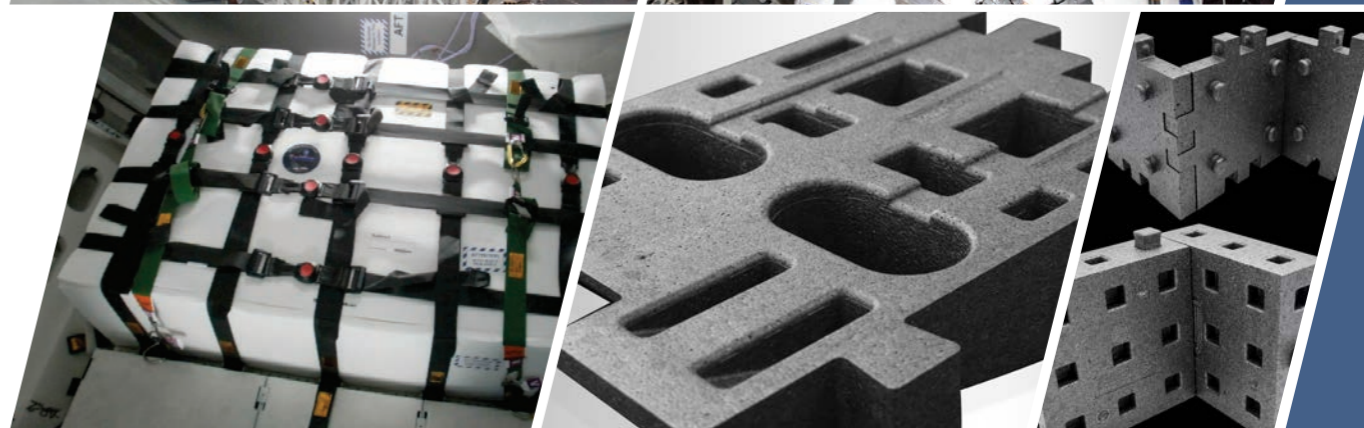
INNOVATION

We transform ideas into products. We collaborate with our customers to study new and better solutions and meet specific needs and new requirements. All our products are the result of a process that brings together various novel ideas with engineering and technology. The quality of Sabelt products is the result of intensive R&D which allows to achieve the highest levels of performance and safety.

OEM



SPECIAL APPLICATIONS



Sabelt has developed and implemented a new business unit dedicated to application of seatbelts in niche markets, such as Military, Aviation, Aerospace, Tractors, Bus and many fields in which small customized products for niche markets may be requested. Thanks to a long-lasting experience in this field and to a fully equipped laboratory, Sabelt is able to produce and supply safety belts for several different applications.

HARNESSES



ASTON MARTIN
 Red Bull RACING
 TEAM SUPPLIER

Sabelt

FIA 8853-2016

SALOON / RALLY

GOLD

CCG632SRD



NEW

STEEL

CCS632SRDN



SILVER

CCA622SRDLPM



CCS622SRUN



CCA622SRDN1



CCS633SRUN



CCA622SRUN1



CCA633SRUN



FORMULA

GOLD

CCG832FSR



CCG622FSR



SILVER

CCA622FRUN1



STEEL

CCS622FRUN



8854/98

SALOON / RALLY

SILVER

CCA433SRDN



STEEL

CCS433SRDN



CCS433SRUN



ECE

CLUBMAN

CFCC4046 (no ECE)



904020NP



904070NP



904059NP



904005N



904019N



BUCKLES



B1

Tongues entry designed to simplify the driver fastening. Machined from solid aluminium.



B5

Tongues entry designed to simplify the driver fastening. Quick release with spring ejectors. 255 g



B2

With integrated crotch belt "T" type attachment. Aluminium. Patented buckle. 219 g



B6

Developed with Formula1 Teams. Su-perlight buckle in machined from solid aluminium.



B3

For "Formula" safety belt developed in Formula1. Aluminium. Protection for the lever. 192 g



B4

Buckle for 4 points safety belt. Dx fixed point. Aluminium. 184 g



B7

NEW

Developed for Endurance applications. 2019 24h Le Mans winner. 266 g

ADJUSTERS



A9

2" Quick release adjuster ma-chined from solid aluminium. Developed in Formula1. 54 g



A10

2" Quick release adjuster ma-chined from solid aluminium. Developed for double shoulder belt. 74 g



A1

Quick release adjuster for 3" webbing. Forged and anodized aluminium. 95 g



A2

Quick release adjuster for 2" webbing. Forged and anodized aluminium. 70 g



A13

NEW

Aluminium quick adjuster 2" with webbing guide. 2019 24h Le Mans winner. 78 g



A3

Adjuster integrated to the buckle tongue designed for 2" webbing. Developed for GT/Endurance cars. Steel-aluminium. 123 g



A4

Adjuster for 2" webbing. Steel-aluminium. 113 g



A5

"America" adjuster for 3" webbing. Steel. 147 g



A6

"America" adjuster for 2" webbing. Steel. 94 g



A14

NEW

Ergal "Tribar" adjuster for 2" webbing. Steel. 46 g



A7

"Tribar" adjuster for 3" webbing. Steel. 110 g



A8

"Tribar" adjuster for 2" webbing. Steel. 80 g



A12

"Bufflug" steel adjuster. 63 g



A11

Steel "Stop" adjuster for 2" webbing. 24 g



A15

NEW

Ergal "Tribar" adjuster for 3" webbing. Steel. 64 g

FISSAGGI - FIXINGS



F1
Carabiner. Inox Steel. **24 g**



F2A
Snap hook in combination with A7 or A8. Steel. **77 g**



F2B
Sewn snap hook in combination with A7 or A8. Steel. **77 g**



F7
Titanium double fixing plate for 2" webbing. For M8 screw. **38 g**



F3A
Fixing plate in combination with A7 or A8. Steel. **63 g**



F3B
Sewn fixing plate in combination with A7 or A8. Steel. **63 g**



F5
"Wrap around" fixing in combination with A7 or A8. Steel. **63 g**



F6
"Sewn loop" fixing.



F4
Sewn "P" type steel fixing plate. **47 g**



F8
Small Sewn fixing plate. **45 g**



F9 **NEW**
Small fixing plate. **44 g**



F10 **NEW**
Double hole fixing plate. **38 g**



F11 **NEW**
Sewn double hole fixing plate. **38 g**



F12 **NEW**
X2 double hole fixing plate. **76 g**

LINGUE - TONGUES



T1
Lap belt tongue with ergonomic bend. Steel. **32 g**



T2
Shoulder belt tongue for 3" webbing. Steel. **30 g**



T3
Shoulder belt tongue for 2" webbing. Steel. **23 g**



T4
Titanium mini-tongue for CCG622FSR, CCG832FSR harnesses. **7 g**



T5
Titanium tongue for E1 harnesses. **9 g**



T6
Lap belt tongue with ergonomic bend. Titanium. **18 g**



T7 **NEW**
Steel shoulder belt tongue +5 mm. **38 g**

OPTIONALS



O6
Intercom or Drink System cord.



O2
Logo printed directly on the webbing in high grip material for FHR.



O7
Hook and loop fastener on upper shoulder belt.



O4
Closure hook and loop for adjustable straps.



O5
Ergonomic handle.

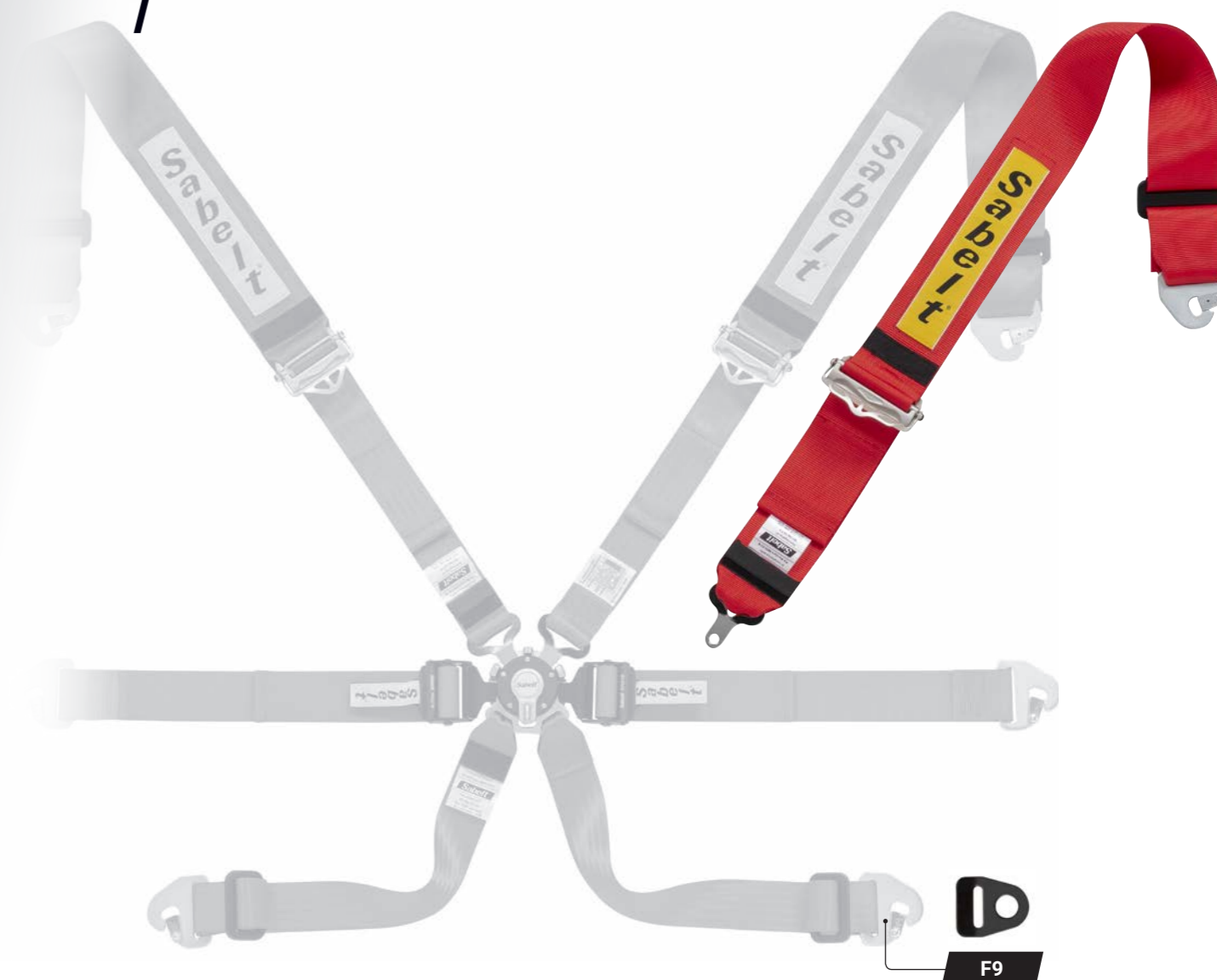
CCG632SRD

CCG632SRD

STANDARD FEATURES



CONFIGURATIONS ON DEMAND



FIA APPROVED

MANUFACTURER: SABELT
MODEL: ENDURANCE
HOM. NO: SH.064.19-T-6
FIA STANDARD: 8853-2016

SALOON

FIA 8853-2016

STANDARD MEASURES (mm)

A 430 • B 790 • C 620 • D 330

STANDARD COLOURS/CODES

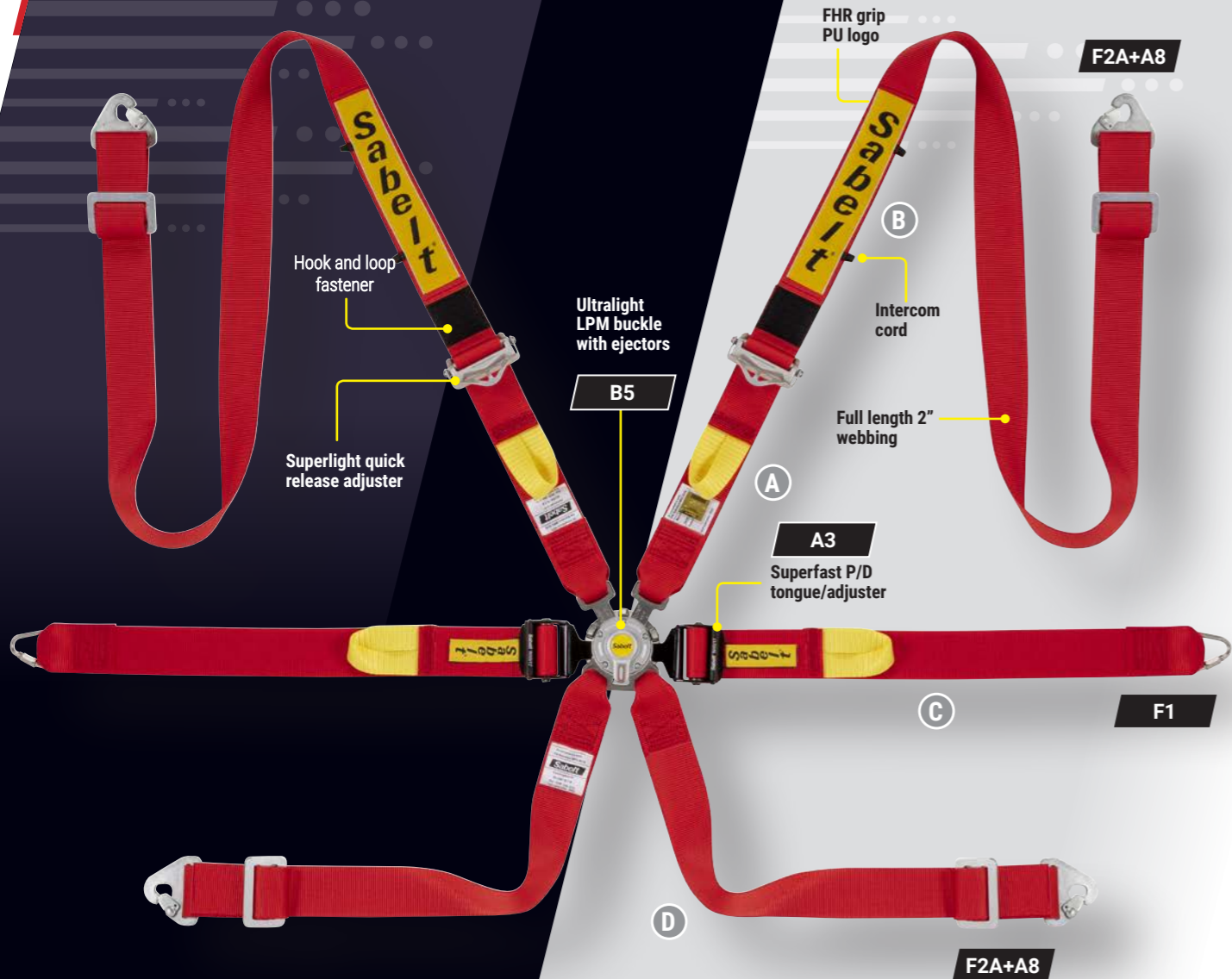
CCG632SRD • CCG632SND • CCG632SBD



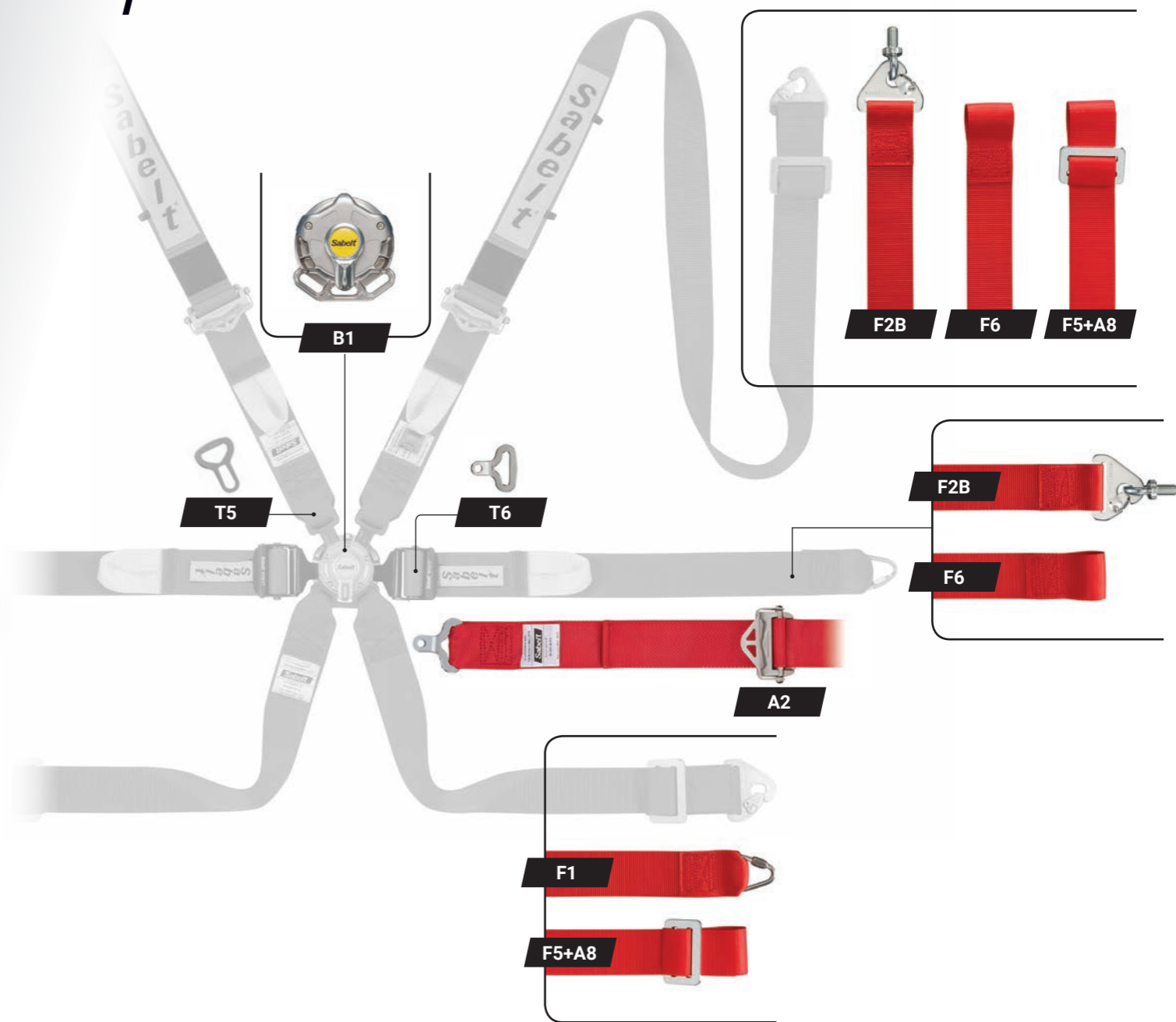
CCA622SRDLPM

CCA622SRDLPM

STANDARD FEATURES



CONFIGURATIONS ON DEMAND



SALOON

FIA 8853-2016

MANUFACTURER: SABELT
MODEL: E1
HOM. NO: SH.006.16-T-6
FIA STANDARD: 8853-2016

STANDARD MEASURES (mm)

A 380 • **B** 1700 • **C** 680 • **D** 850

STANDARD COLOURS/CODES

CCA622SRDLPM • CCA622SNDLPM • CCA622SBDLPM

OPTIONALS

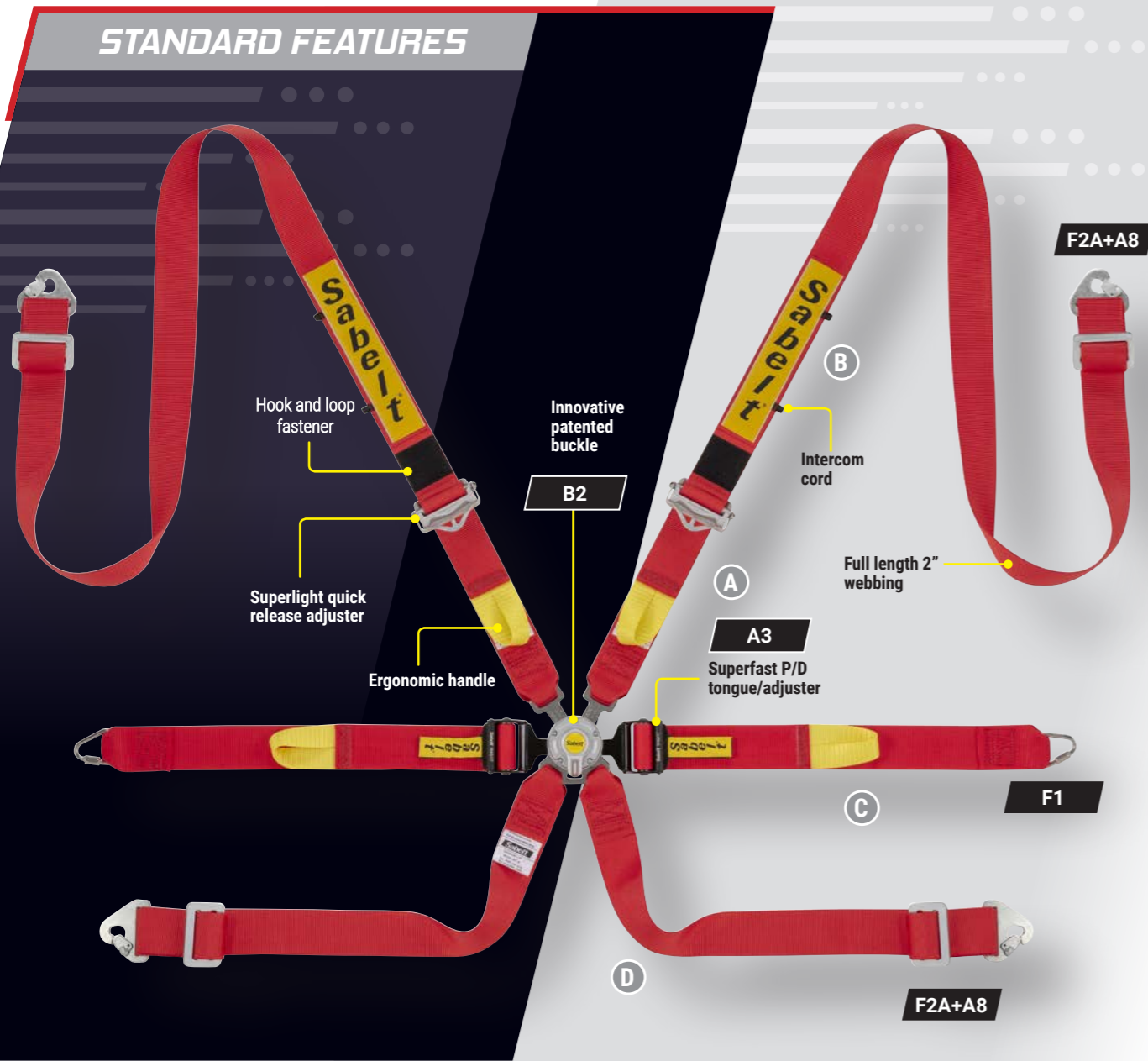


04

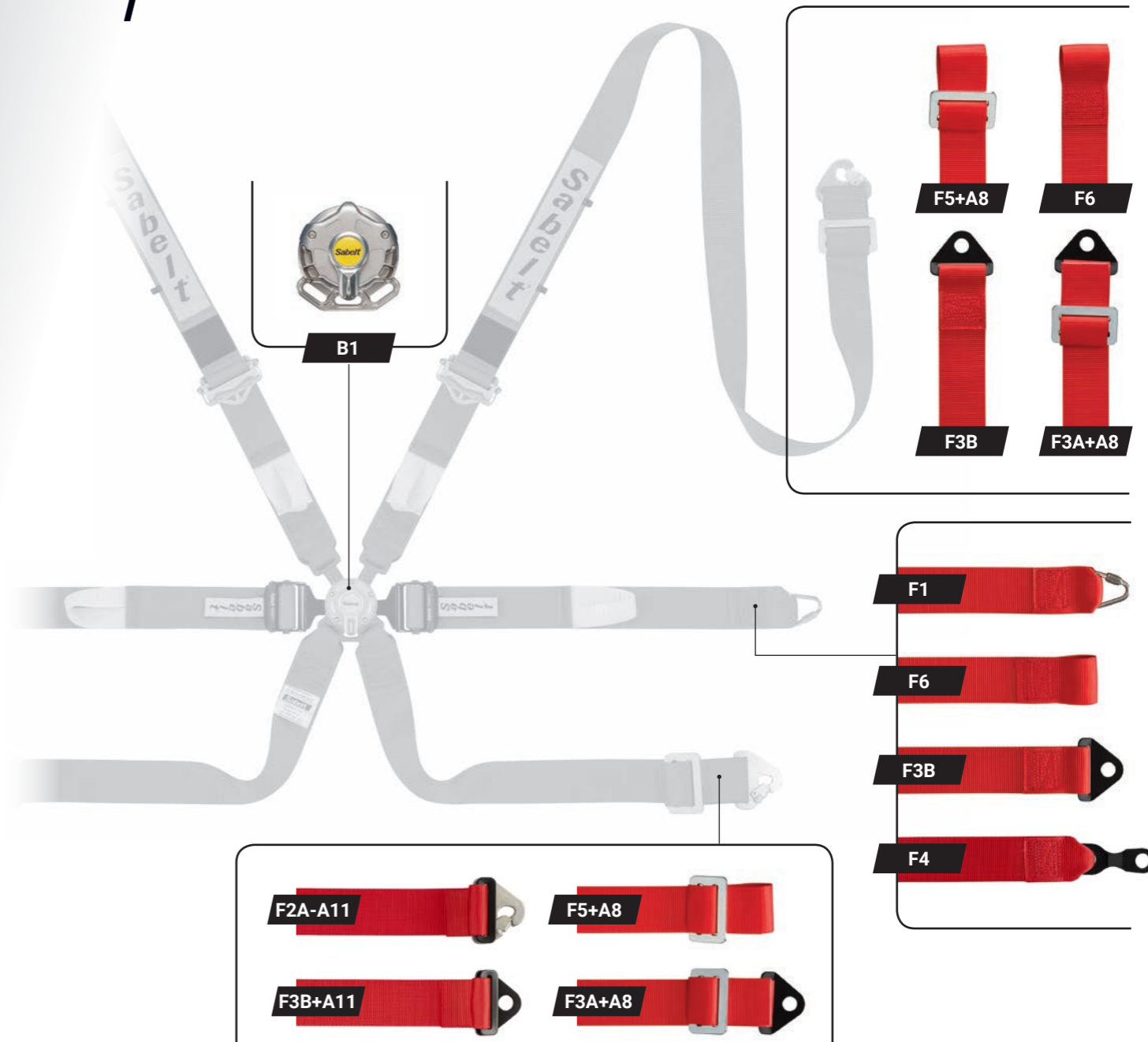
CCA622SRDN1

CCA622SRDN1

STANDARD FEATURES



CONFIGURATIONS ON DEMAND



SALOON

FIA 8853-2016

MANUFACTURER: SABELT
MODEL: NEW SPEC SALOON
HOM. NO: SH.001.16-T-6
FIA STANDARD: 8853-2016

STANDARD MEASURES (mm)

A 380 • B 1700 • C 680 • D 850

STANDARD COLOURS/CODES

CCA622SRDN1 • CCA622SNDN1 • CCA622SBDN1

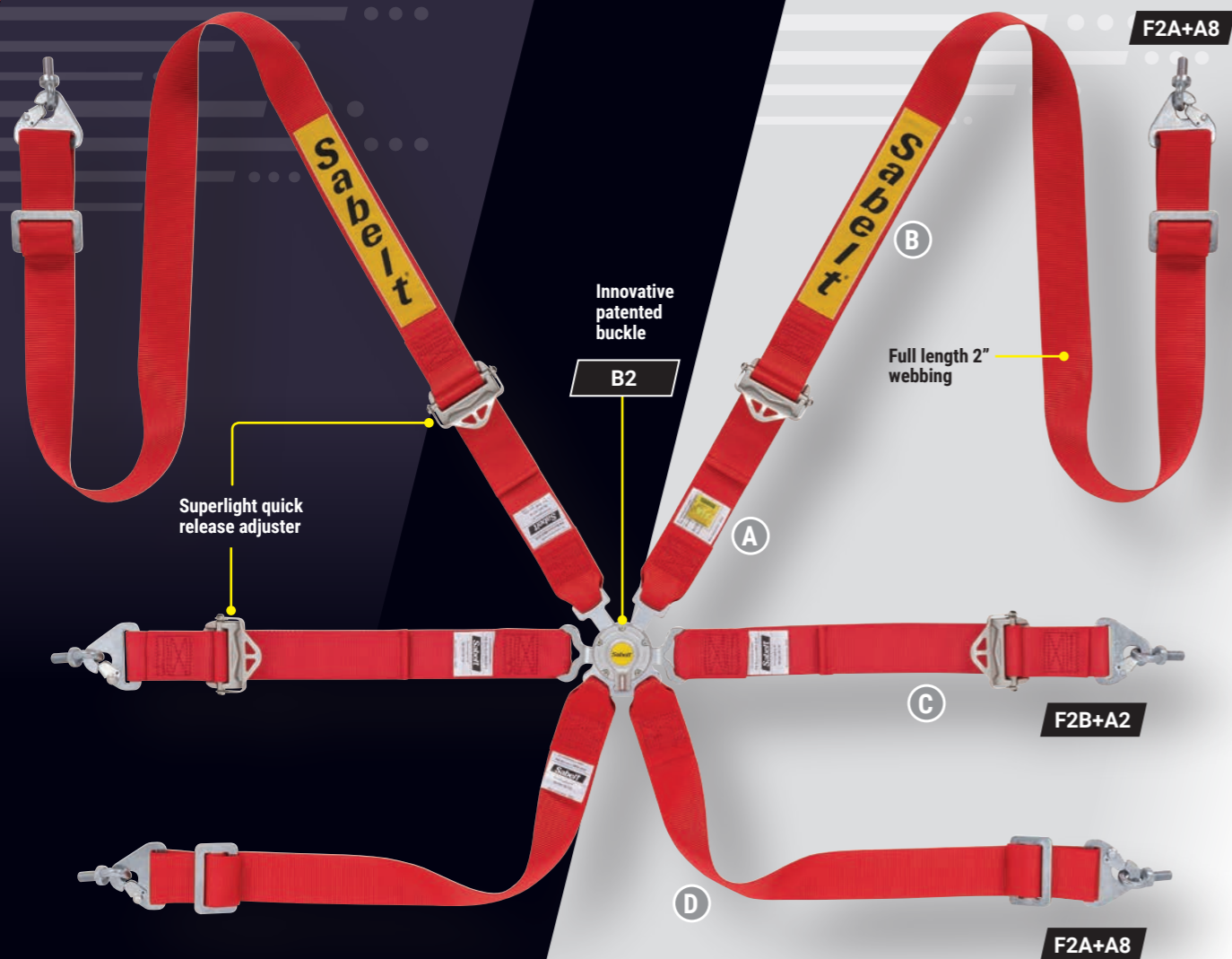
OPTIONALS



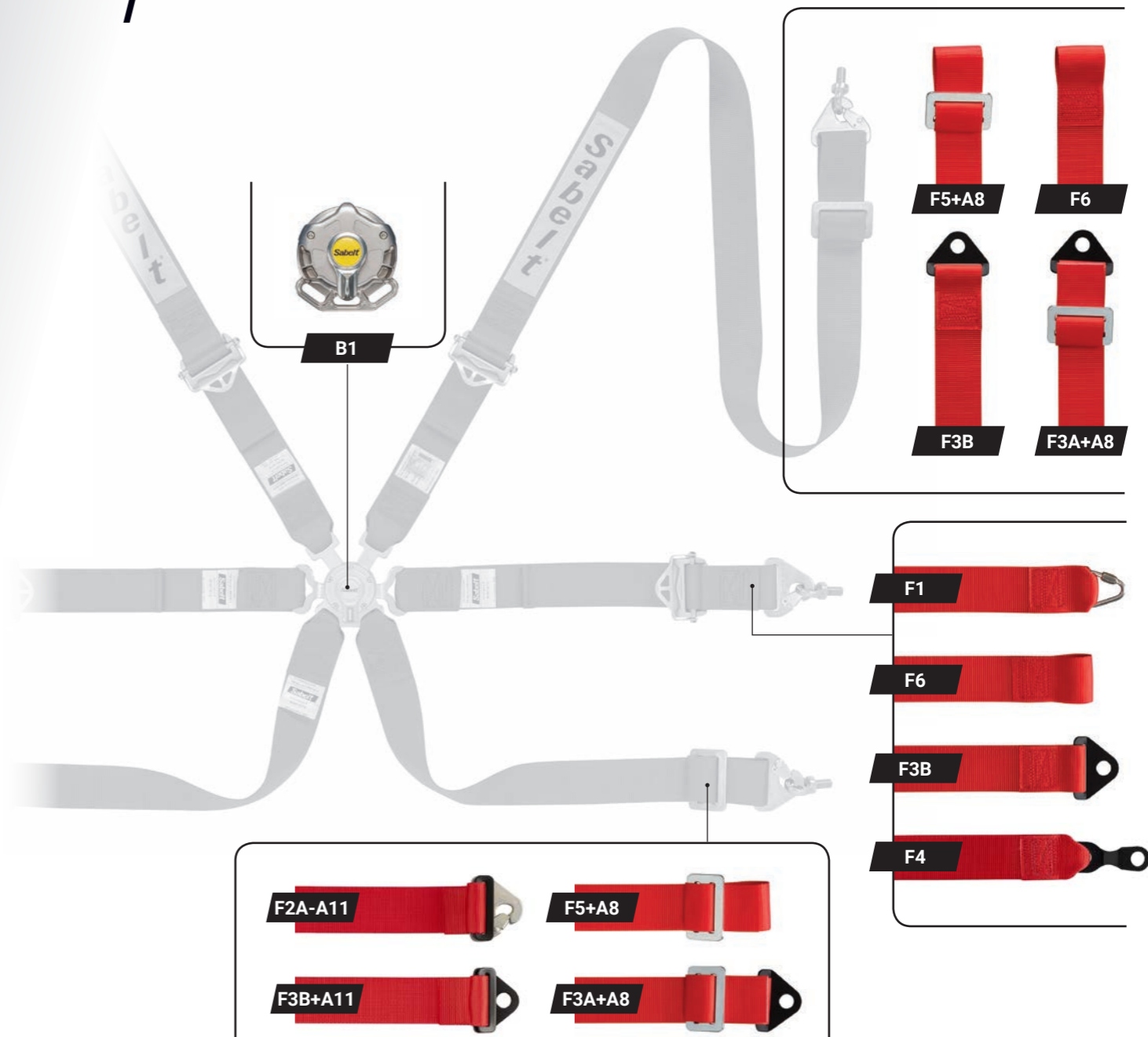
CCA622SRUN1

CCA622SRUN1

STANDARD FEATURES



CONFIGURATIONS ON DEMAND



SALOON / RALLY

FIA 8853-2016

MANUFACTURER: SABELT
MODEL: NEW SPEC SALOON
HOM. NO: SH.001.16-T-6
FIA STANDARD: 8853-2016

STANDARD MEASURES (mm)

A 380 • **B** 1700 • **C** 560 + 120 • **D** 850

STANDARD COLOURS/CODES

CCA622SRUN1 • CCA622SNUN1 • CCA622SBUN1

OPTIONALS

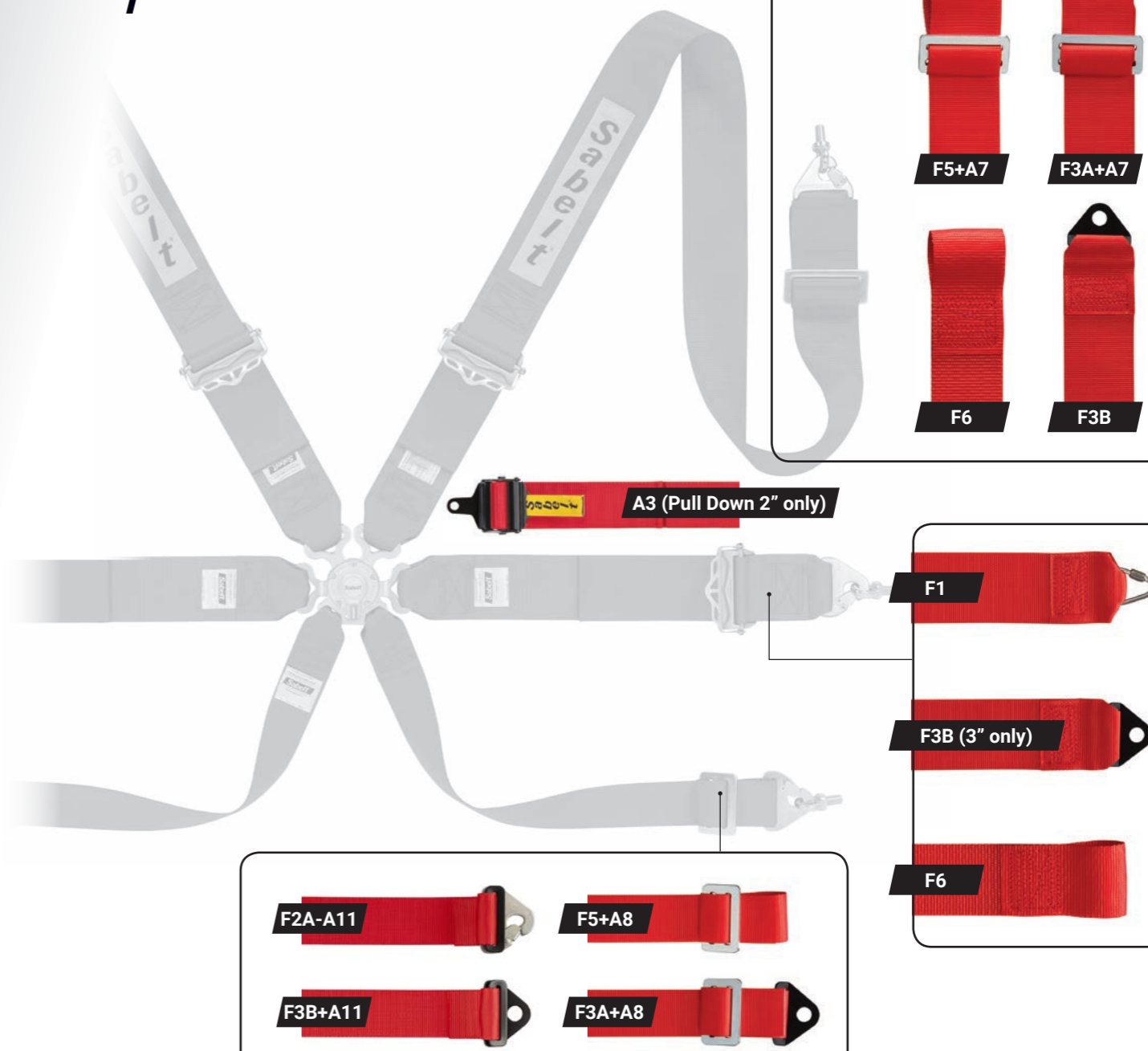


CCA633SRUN

STANDARD FEATURES



CONFIGURATIONS ON DEMAND



SALOON

FIA 8853-2016

MANUFACTURER: SABELT
MODEL: NEW SPEC S3
HOM. NO: SH.031.17-T-6
FIA STANDARD: 8853-2016

STANDARD MEASURES (mm)

A 380 • B 1700 • C 560 + 120 • D 850

STANDARD COLOURS/CODES

CCA633SRUN • CCA633SNUN • CCA633SBUN

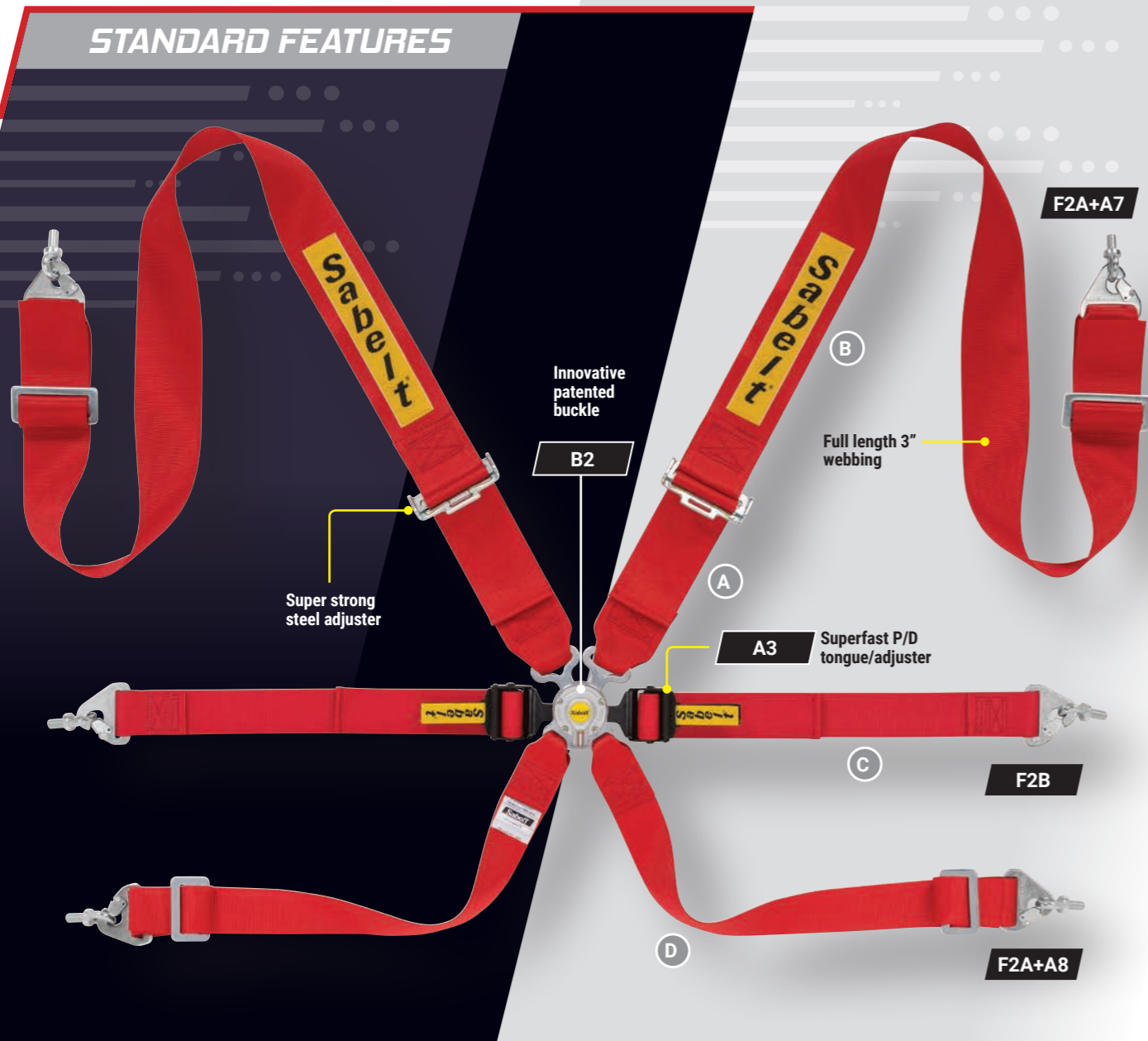
OPTIONALS



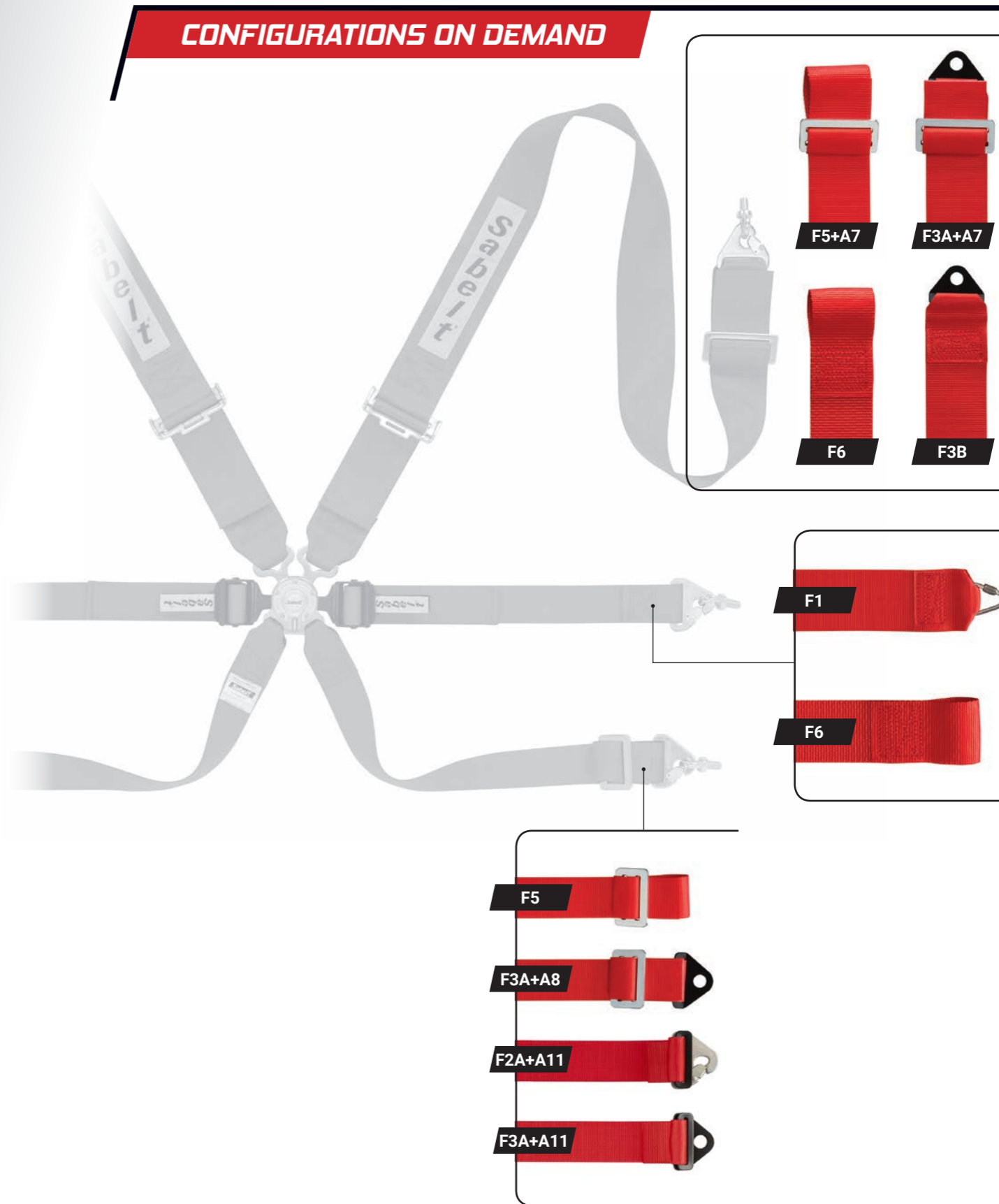
CCS632SRDN

CCS632SRDN

STANDARD FEATURES



CONFIGURATIONS ON DEMAND



FIA APPROVED

MANUFACTURER: SABELT
MODEL: NEW SPEC S3
HOM. NO: SH.031.17-T-6
FIA STANDARD: 8853-2016

SALOON

FIA 8853-2016

STANDARD MEASURES (mm)

A 380 • B 1700 • C 680 • D 850

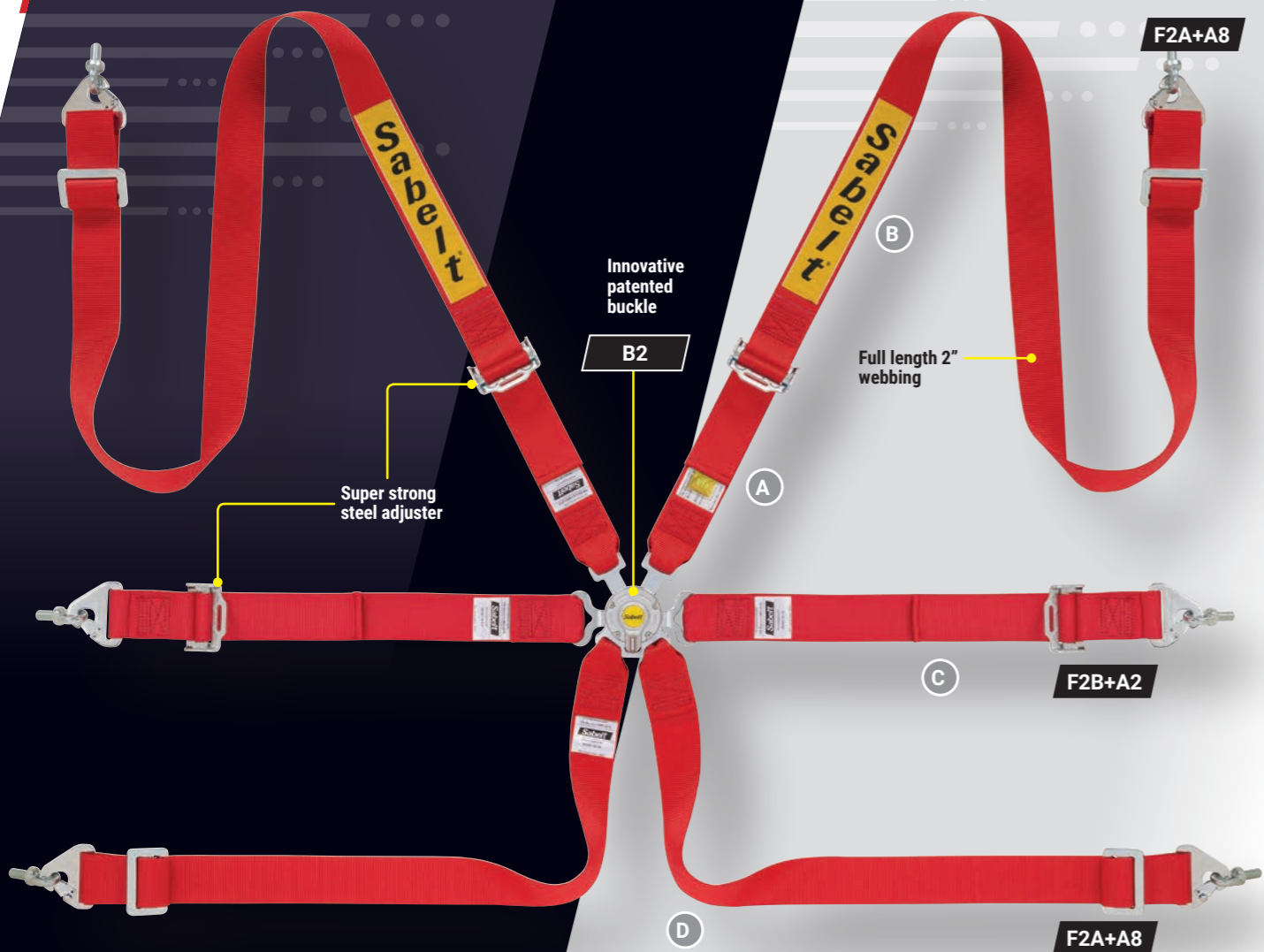
STANDARD COLOURS/CODES

CCS632SRDN • CCS632SNDN • CCS632SBDN

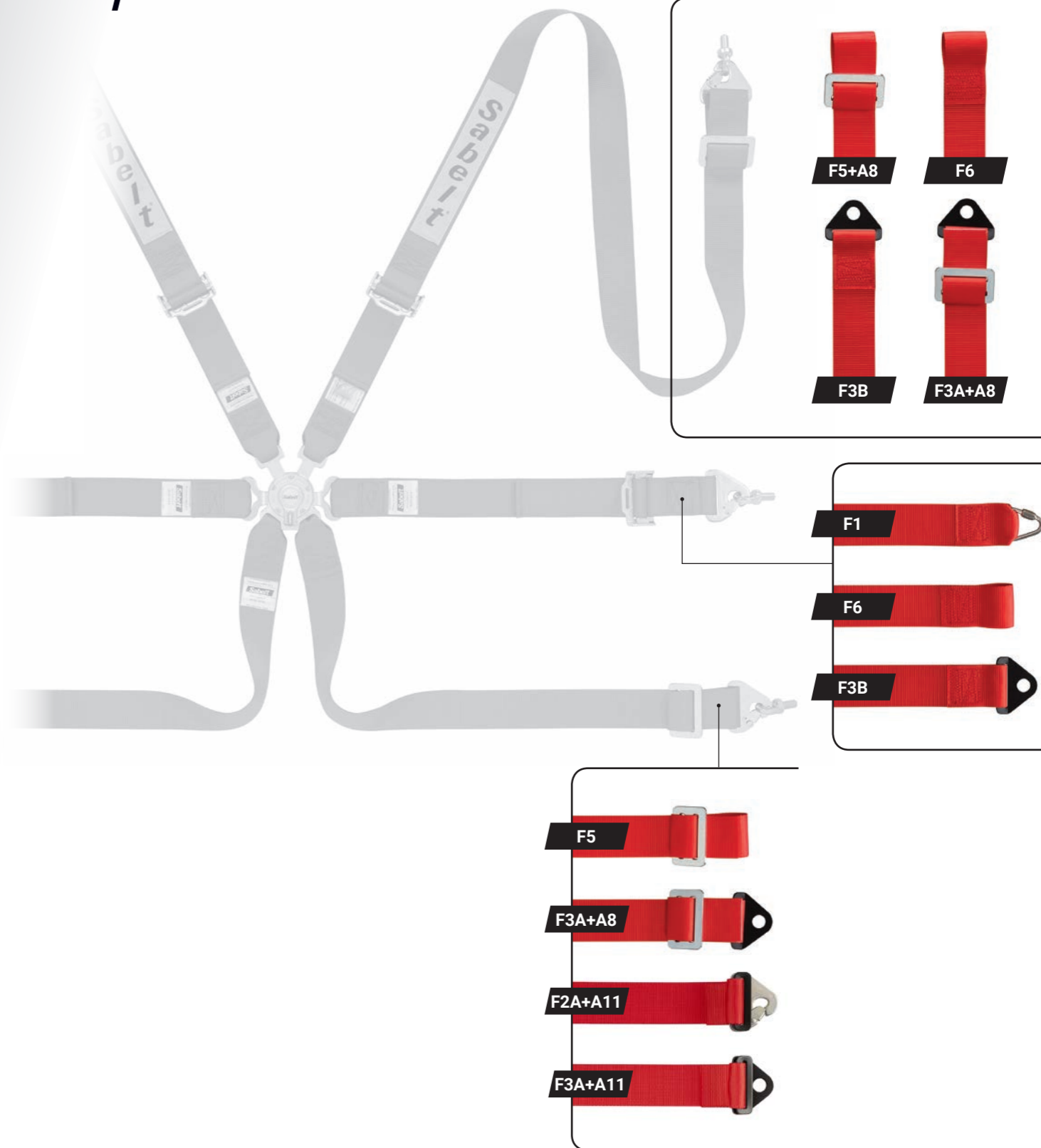
CCS622SRUN

CCS622SRUN

STANDARD FEATURES



CONFIGURATIONS ON DEMAND



FIA APPROVED

MANUFACTURER: SABELT
MODEL: NEW SPEC SALOON
HOM. NO: SH.001.16-T-6
FIA STANDARD: 8853-2016

SALOON

FIA 8853-2016

STANDARD MEASURES (mm)

A 380 • B 1700 • C 560 + 120 • D 850

STANDARD COLOURS/CODES

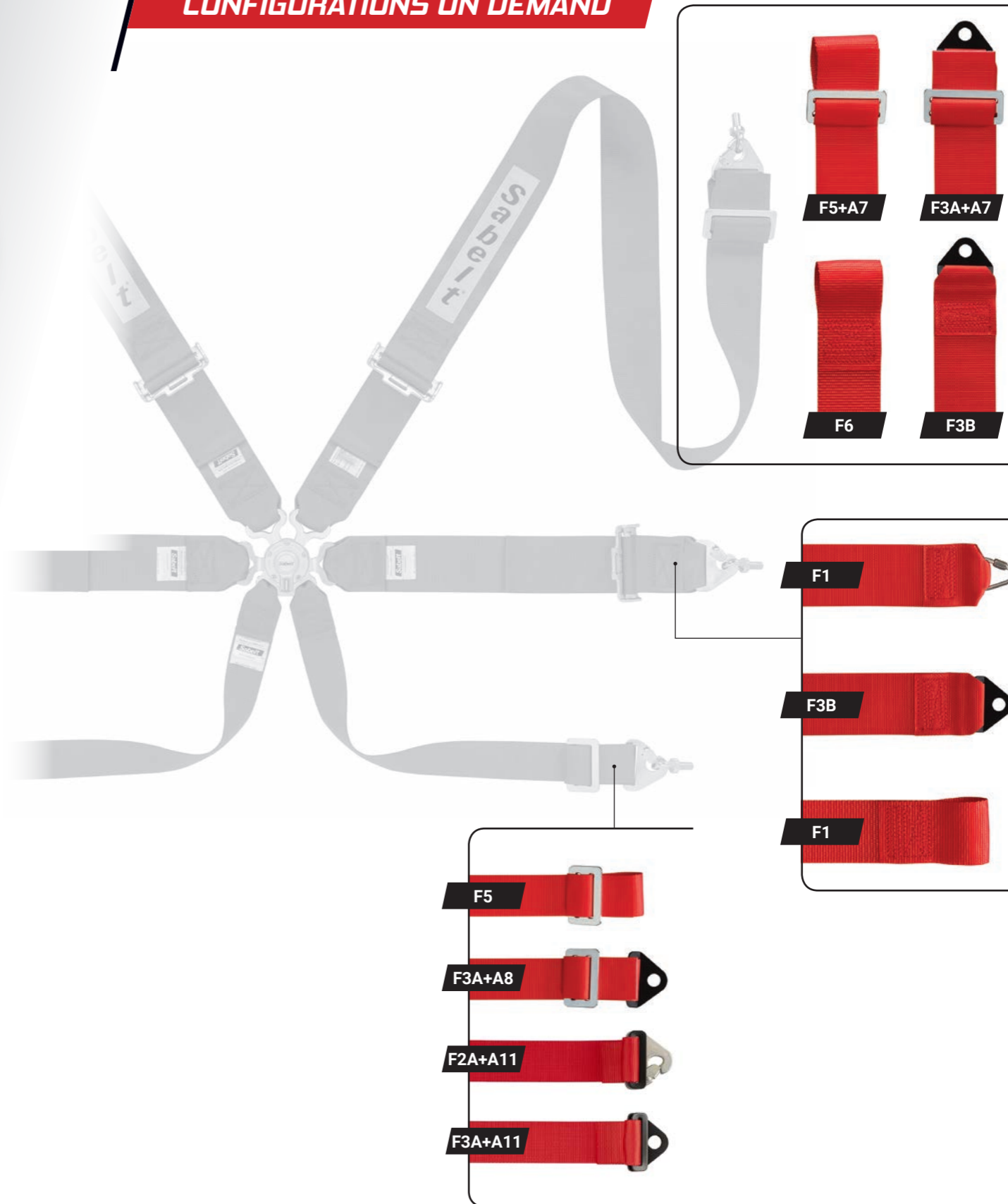
CCS622SRUN • CCS622SNUN • CCS622SBUN

CCS633SRUN

STANDARD FEATURES



CONFIGURATIONS ON DEMAND



MANUFACTURER: SABELT
MODEL: NEW SPEC S3
HOM. NO: SH.031.17-T-6
FIA STANDARD: 8853-2016

SALOON

FIA 8853-2016

STANDARD MEASURES (mm)

A 380 • B 1700 • C 560 + 120 • D 850

STANDARD COLOURS/CODES

CCS633SRUN • CCS633SNUN • CCS633SBUN

CCG832FSR

CCG832FSR

STANDARD FEATURES

NEW



FIA APPROVED

FORMULA

FIA 8853-2016

MANUFACTURER: SABELT
 MODEL: NEW SPEC F4
 HOM. NO: SH.061.19-T-8
 FIA STANDARD: 8853-2016

STANDARD MEASURES (mm)

A 360 • **B2** 495+105 • **B3** 430 • **C** 975 • **D** 960
FULL Length FULL Length

STANDARD COLOURS/CODES

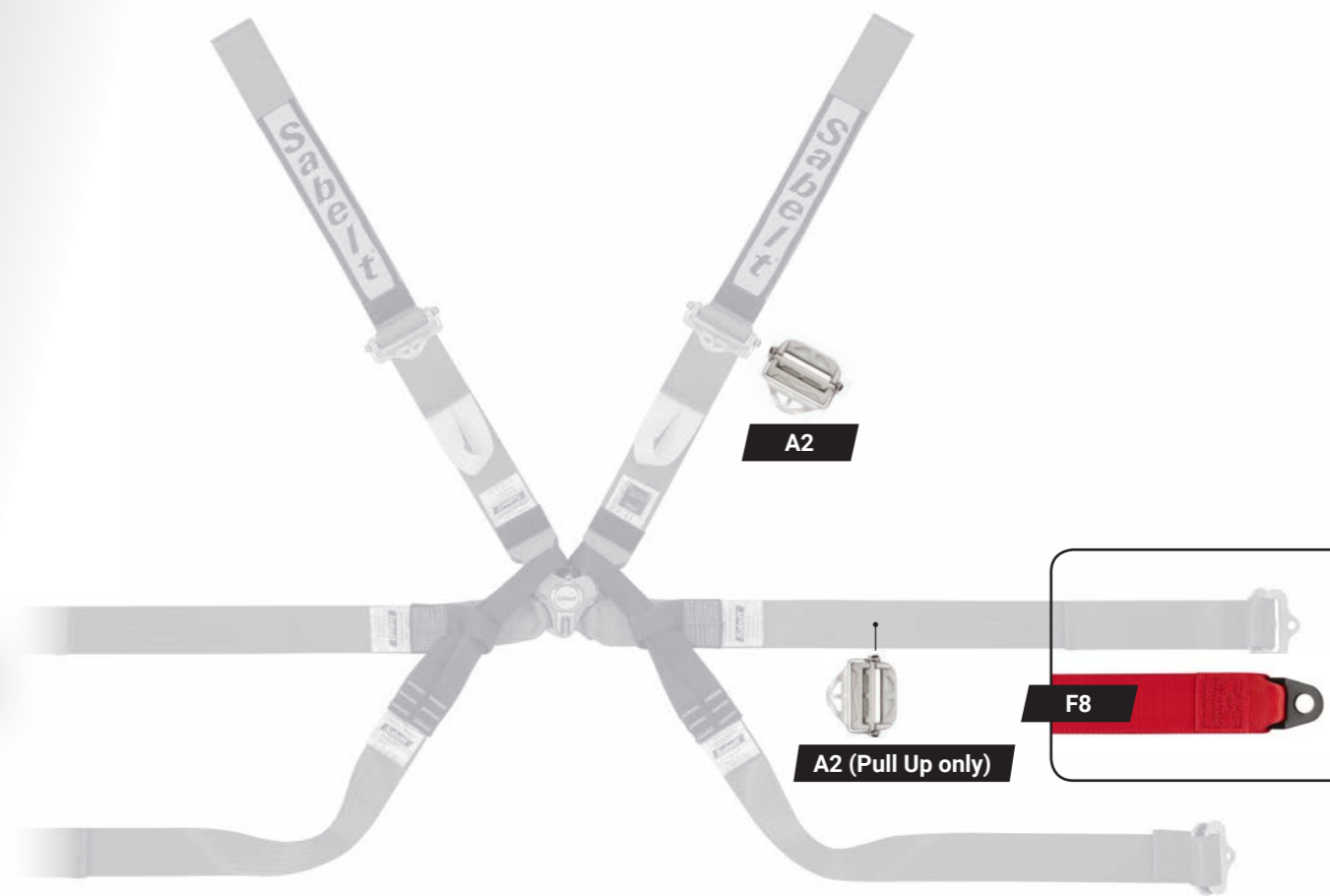
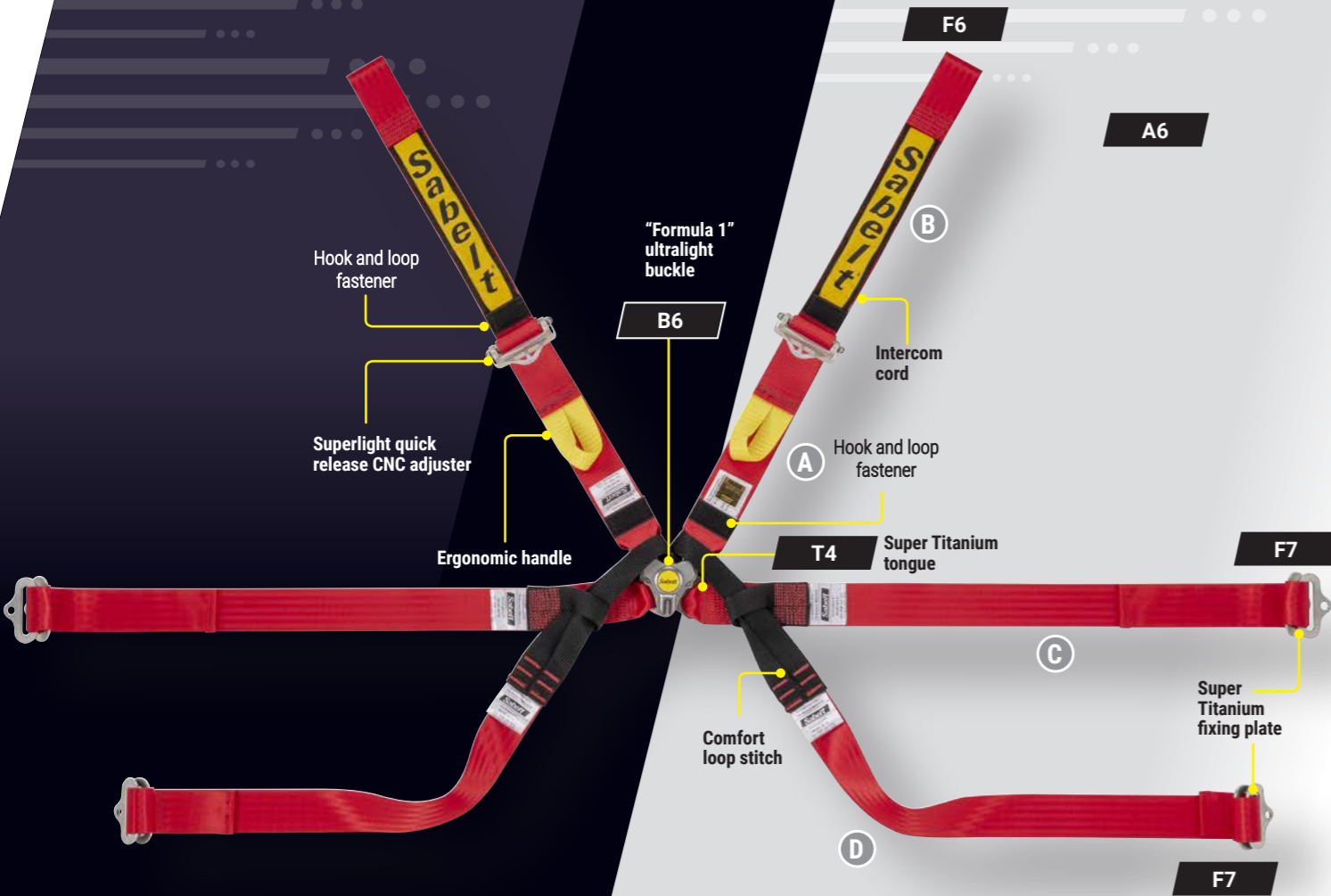
■ CCG832FSR • ■ CCG832FSN

CCG622FSR

CCG622FSR

STANDARD FEATURES

CONFIGURATIONS ON DEMAND



FORMULA

FIA 8853-2016

MANUFACTURER: SABELT
MODEL: NEW SPEC F3
HOM. NO: SH.047.18-T-6
FIA STANDARD: 8853-2016

STANDARD MEASURES (mm)

A 360 • **B** 370 • **C** 975 • **D** 960
FULL Length FULL Length

STANDARD COLOURS/CODES

CCG622FSR • CCG622FSN

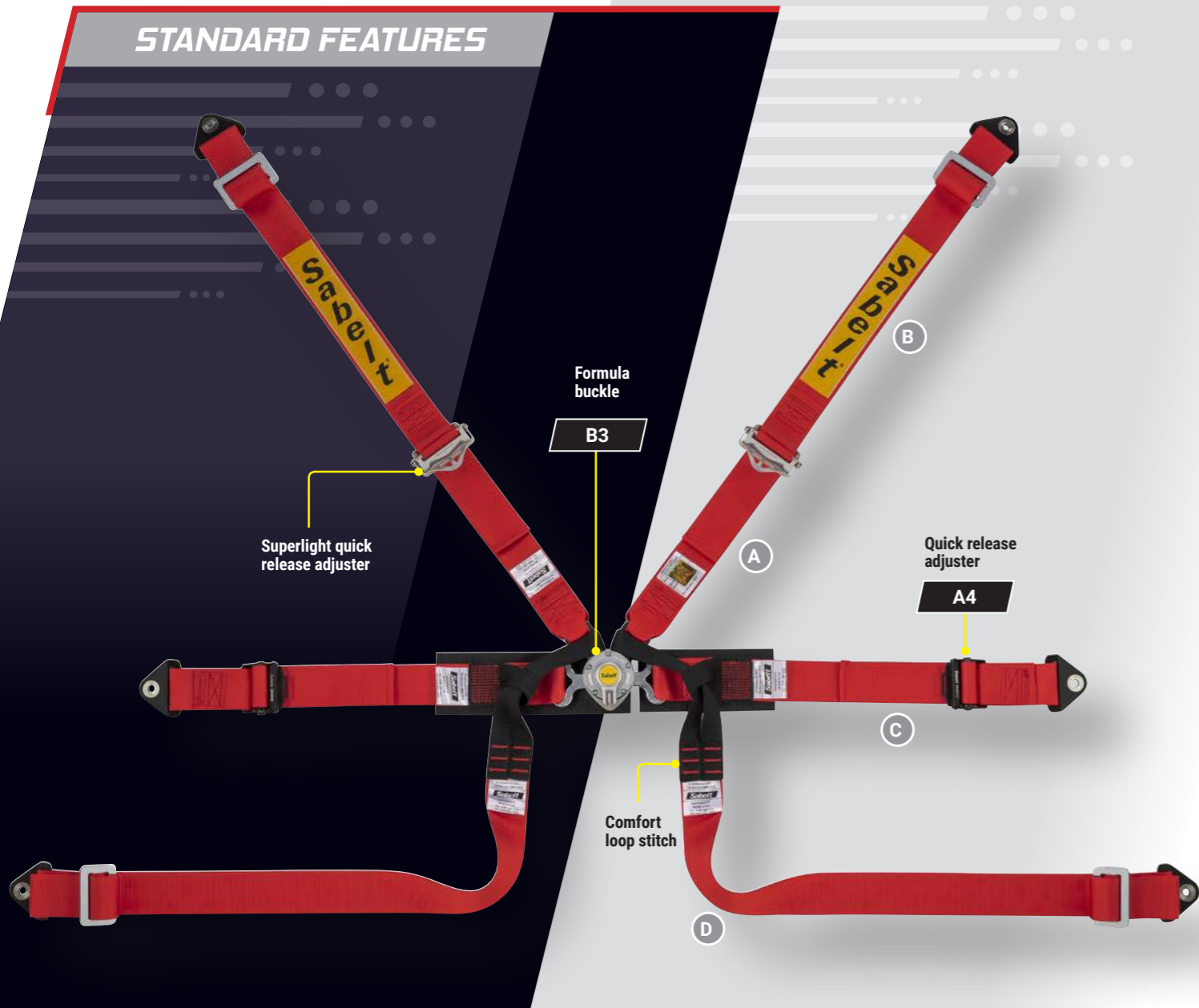
OPTIONALS



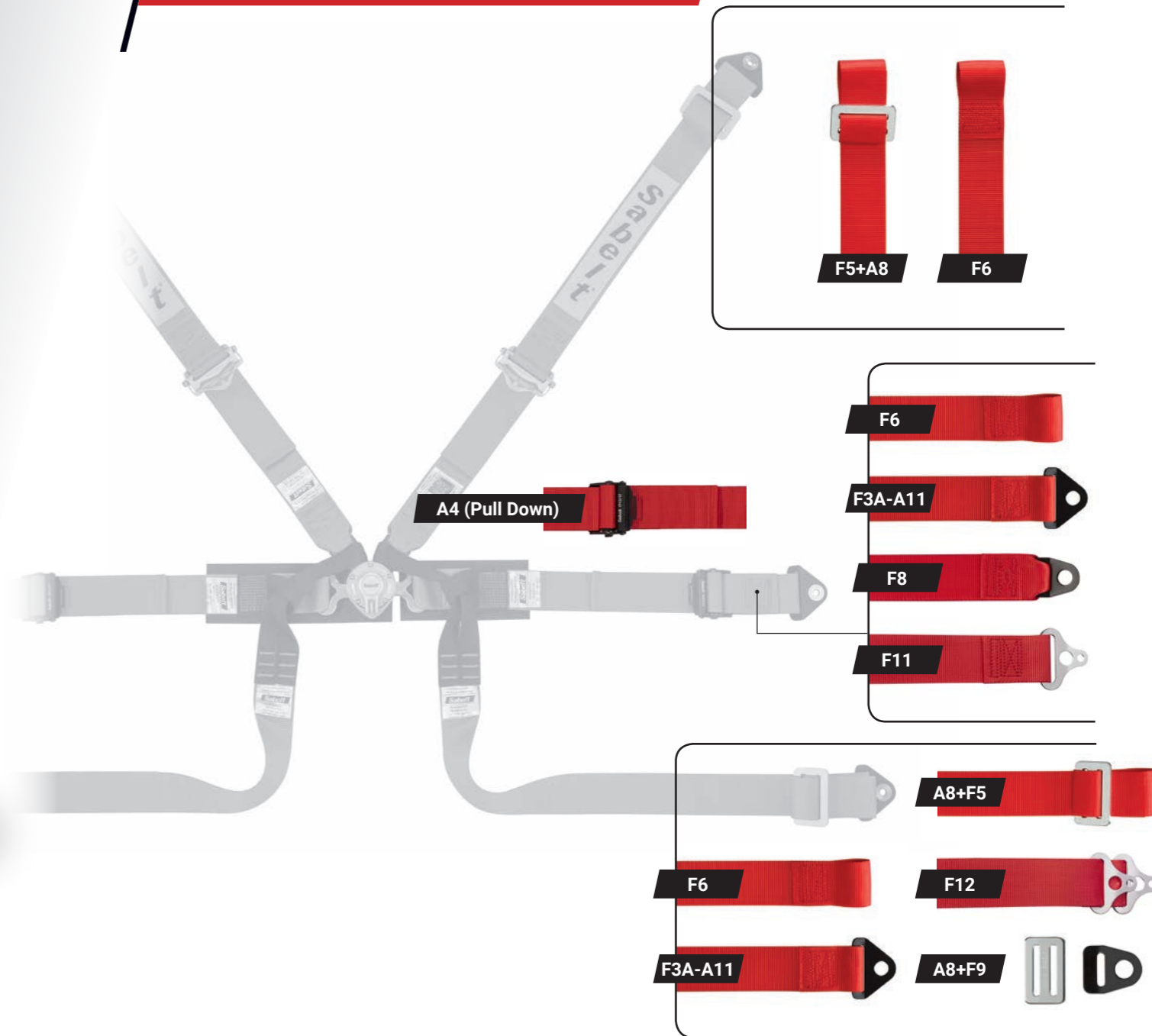
CCA622FRUN1

CCA622FRUN1

STANDARD FEATURES



CONFIGURATIONS ON DEMAND



MANUFACTURER: SABELT
MODEL: NEW SPEC F2
HOM. NO: SH.033.17-T-6
FIA STANDARD: 8853-2016

FORMULA

FIA 8853-2016

STANDARD MEASURES (mm)

A 440 • B 700 • C 530 + 120 • D 1200

STANDARD COLOURS/CODES

CCA622FRUN1 • CCA622FNUN1 • CCA622FBUN1

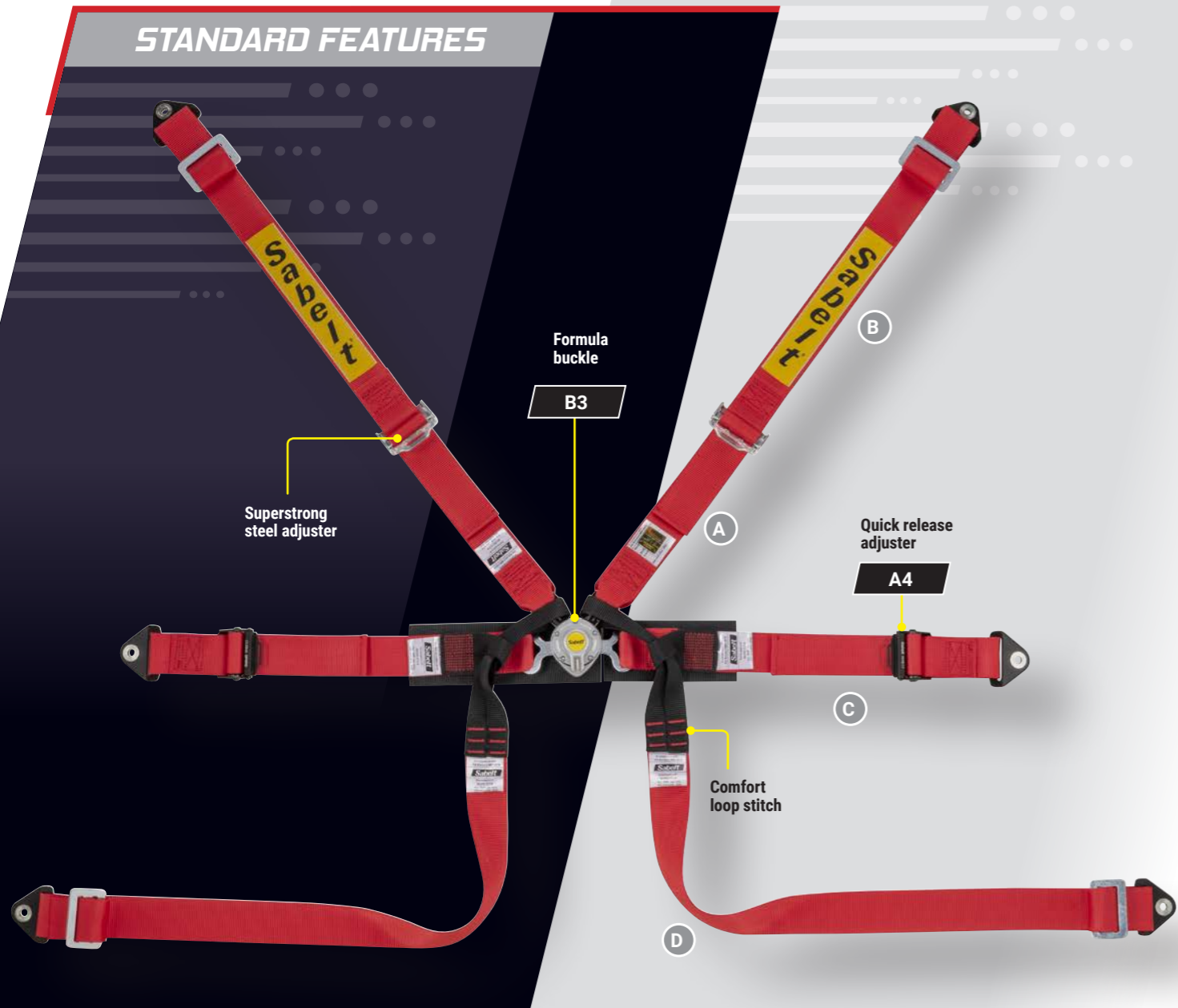
OPTIONALS



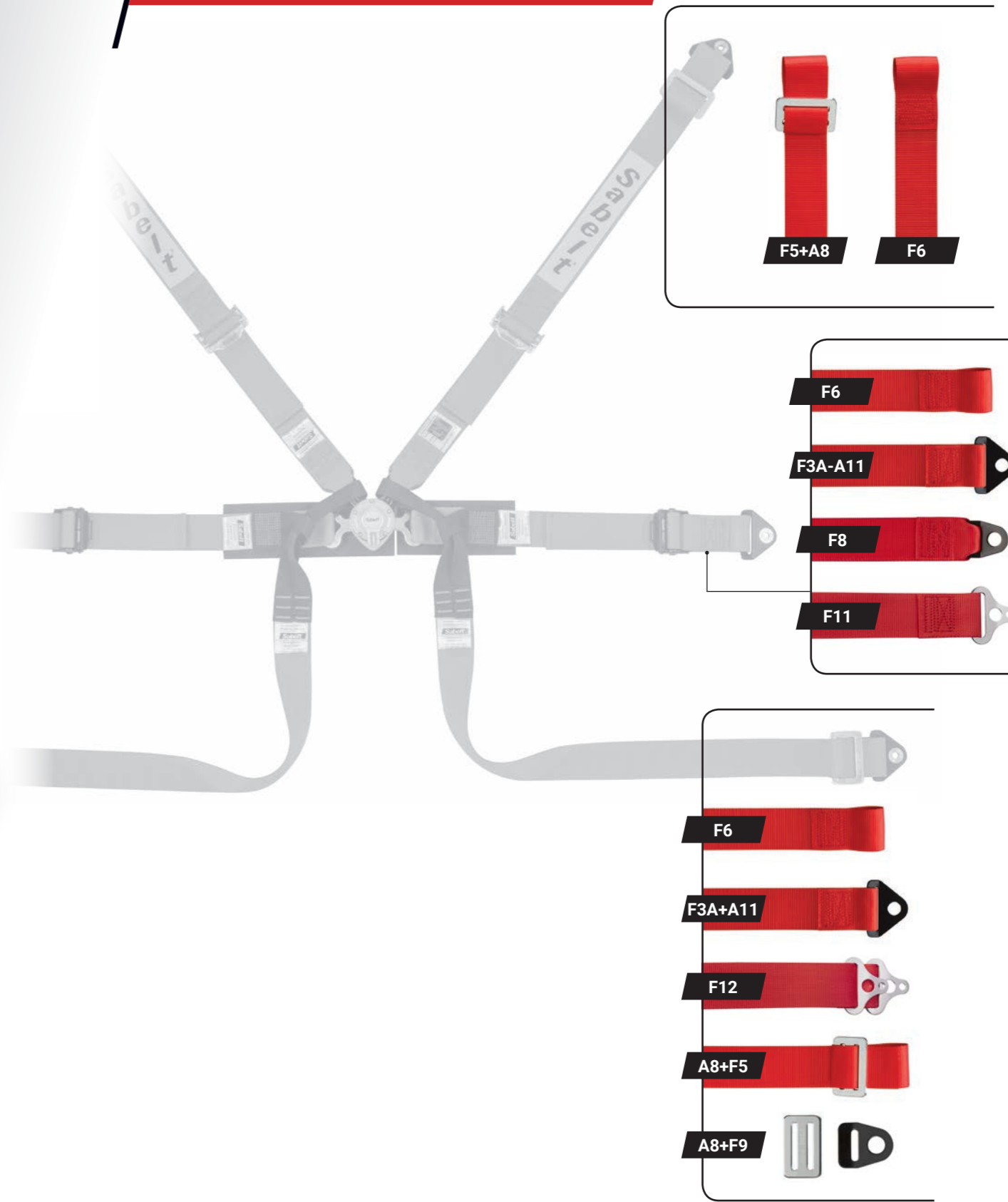
CCS622FRUN

CCS622FRUN

STANDARD FEATURES



CONFIGURATIONS ON DEMAND



FIA APPROVED

MANUFACTURER: SABELT
MODEL: NEW SPEC F2
HOM. NO: SH.033.17-T-6
FIA STANDARD: 8853-2016

FORMULA

FIA 8853-2016

STANDARD MEASURES (mm)

A 440 • B 700 • C 530 + 120 • D 1200

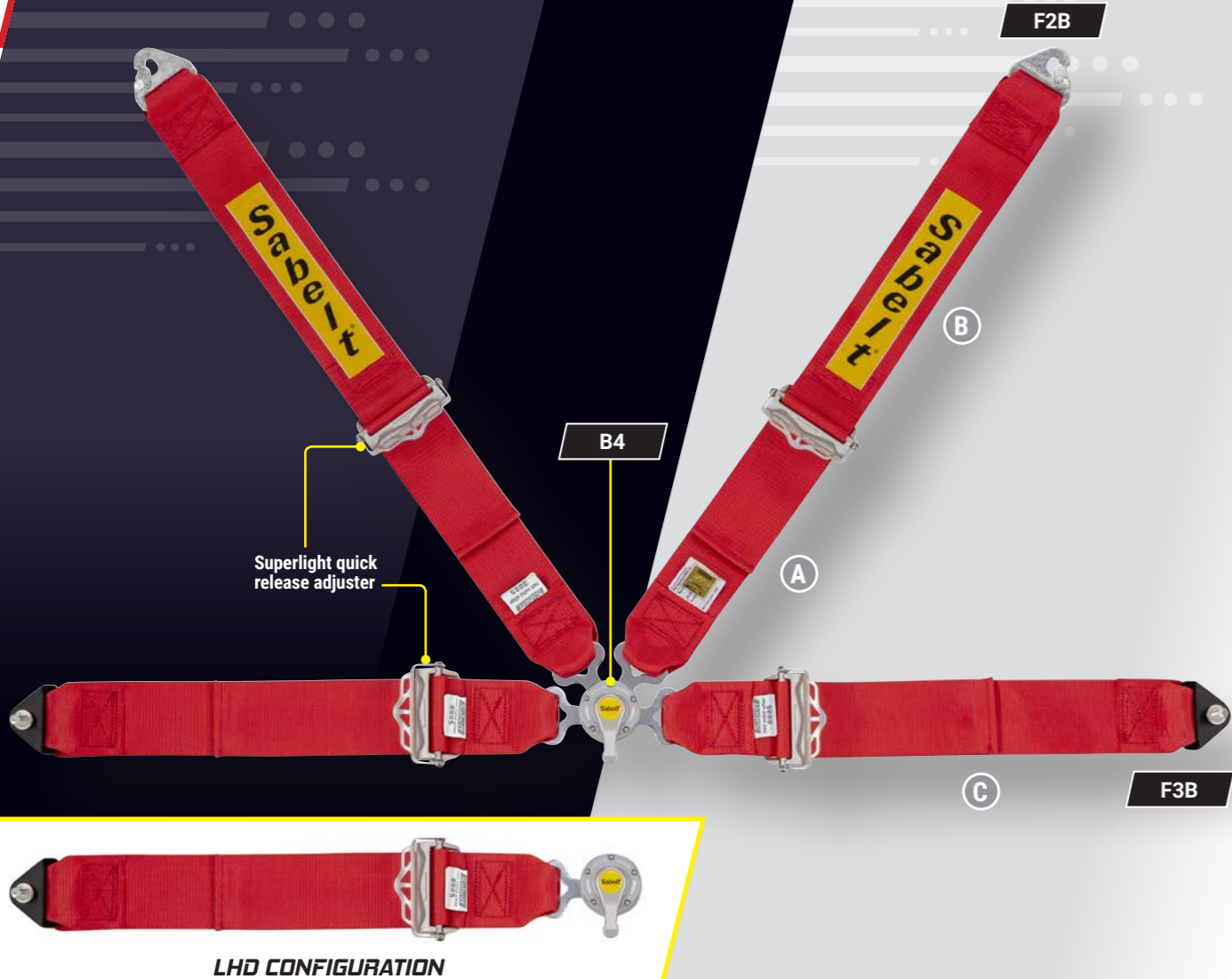
STANDARD COLOURS/CODES

CCS622FRUN • CCS622FNUN • CCS622FBUN

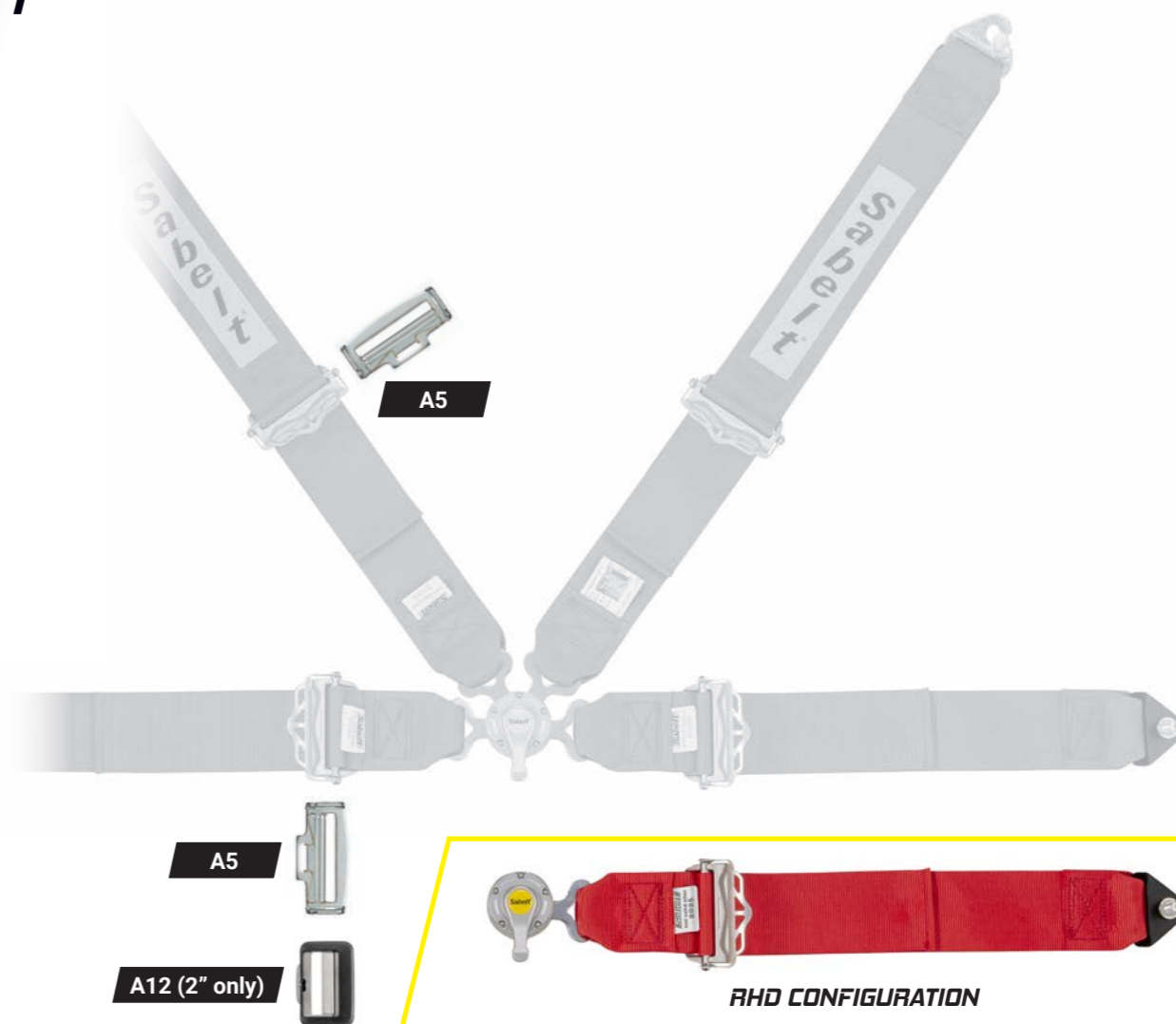
CCA433SRDN

CCA433SRDN

STANDARD FEATURES



CONFIGURATIONS ON DEMAND



MANUFACTURER: SABELT
MODEL: TOP FORMULA
HOM. NO: B.122.T/98
FIA STANDARD: 8854/98

SALOON

FIA 8854/98

FOR KIT CAR "W"

STANDARD MEASURES (mm)

A 480 • **B** 450 • **C** 130+610

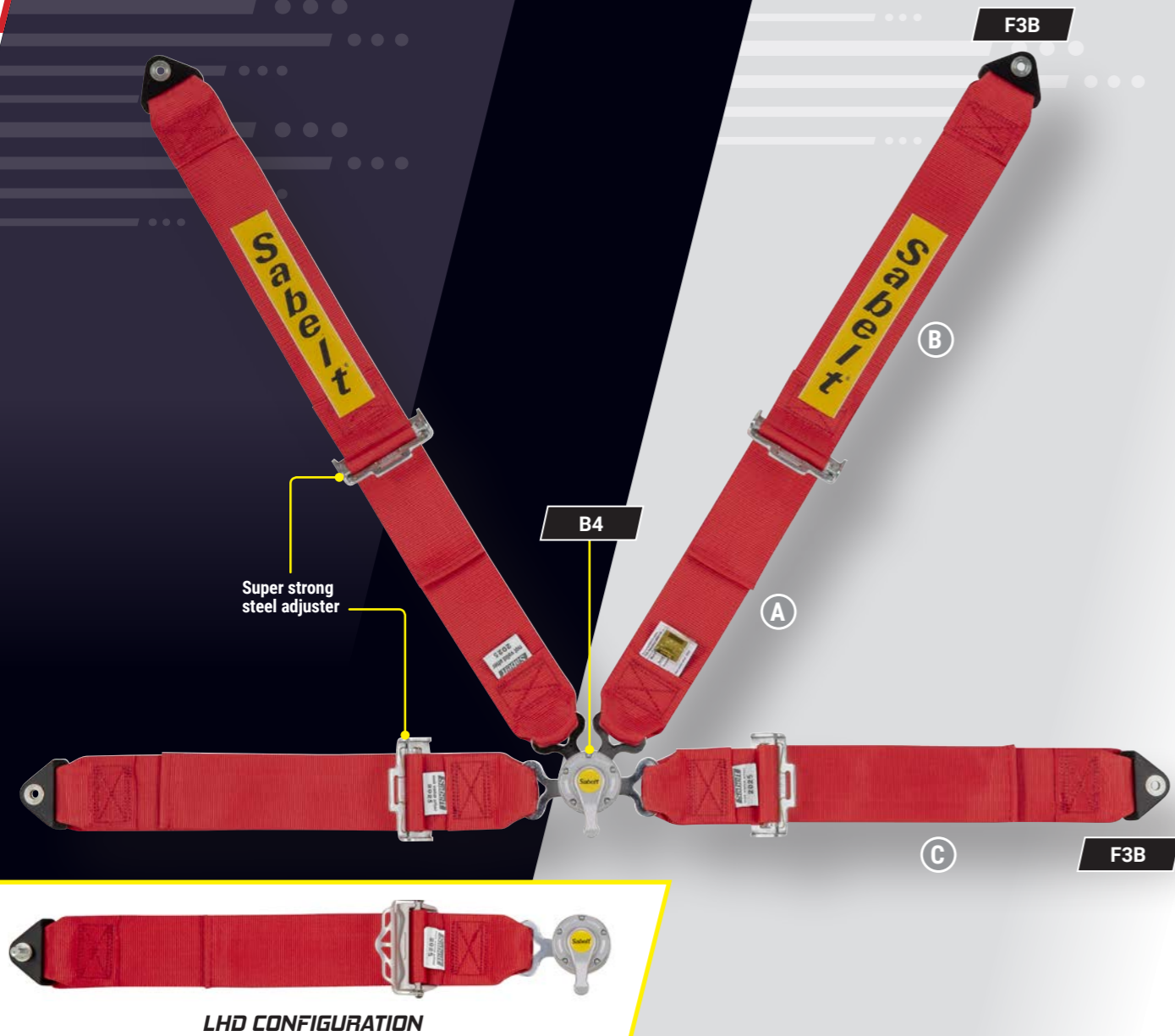
STANDARD COLOURS/CODES

■ CCA433SRDN • ■ CCA433SNDN • ■ CCA433SBDN

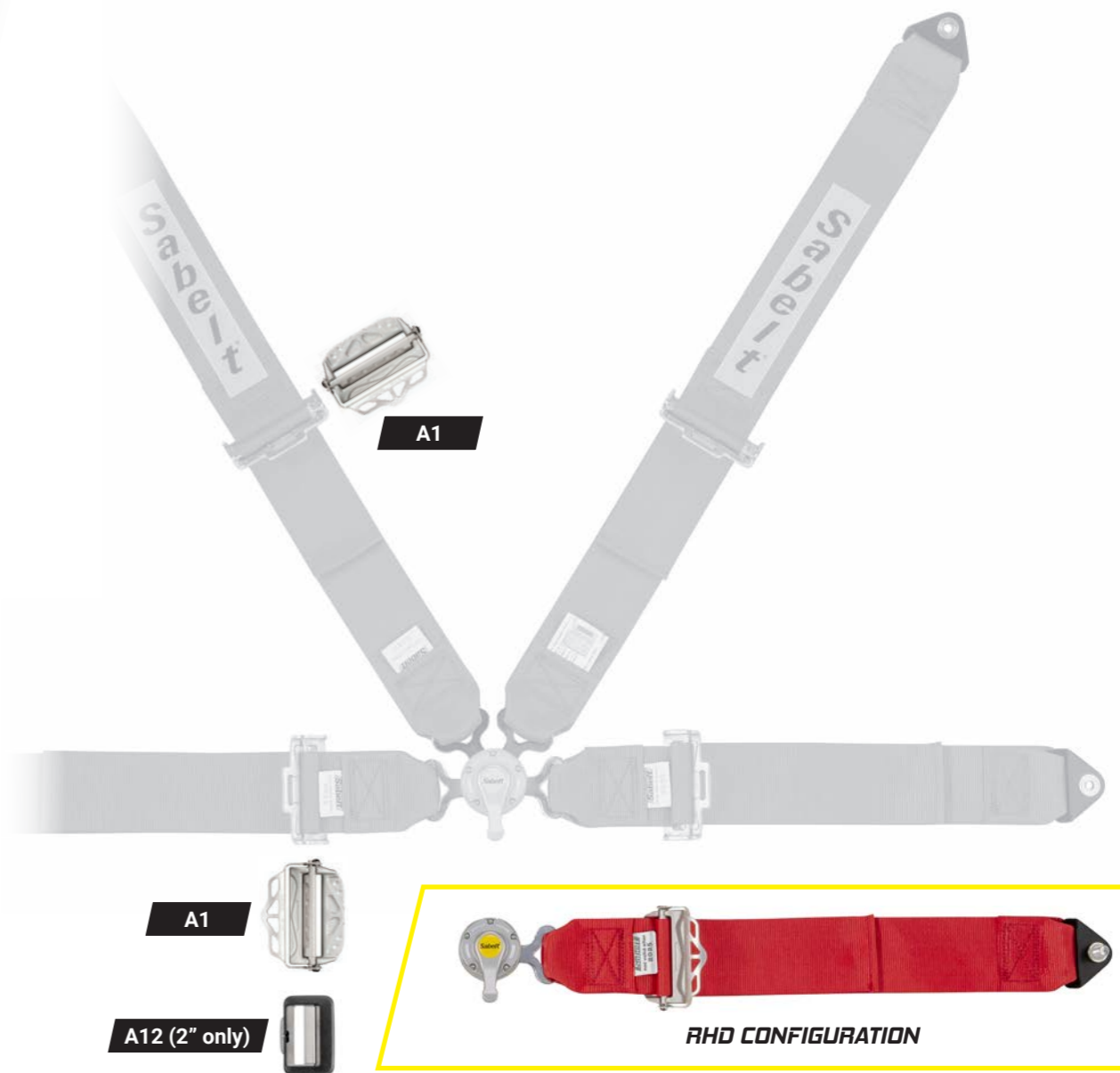
CCS433SRDN

CCS433SRDN

STANDARD FEATURES



CONFIGURATIONS ON DEMAND



FIA APPROVED

MANUFACTURER: SABELT
MODEL: TOP FORMULA
HOM. NO: B.122.T/98
FIA STANDARD: 8854/98

SALOON

FIA 8854/98

FOR KIT CAR "C"

STANDARD MEASURES (mm)

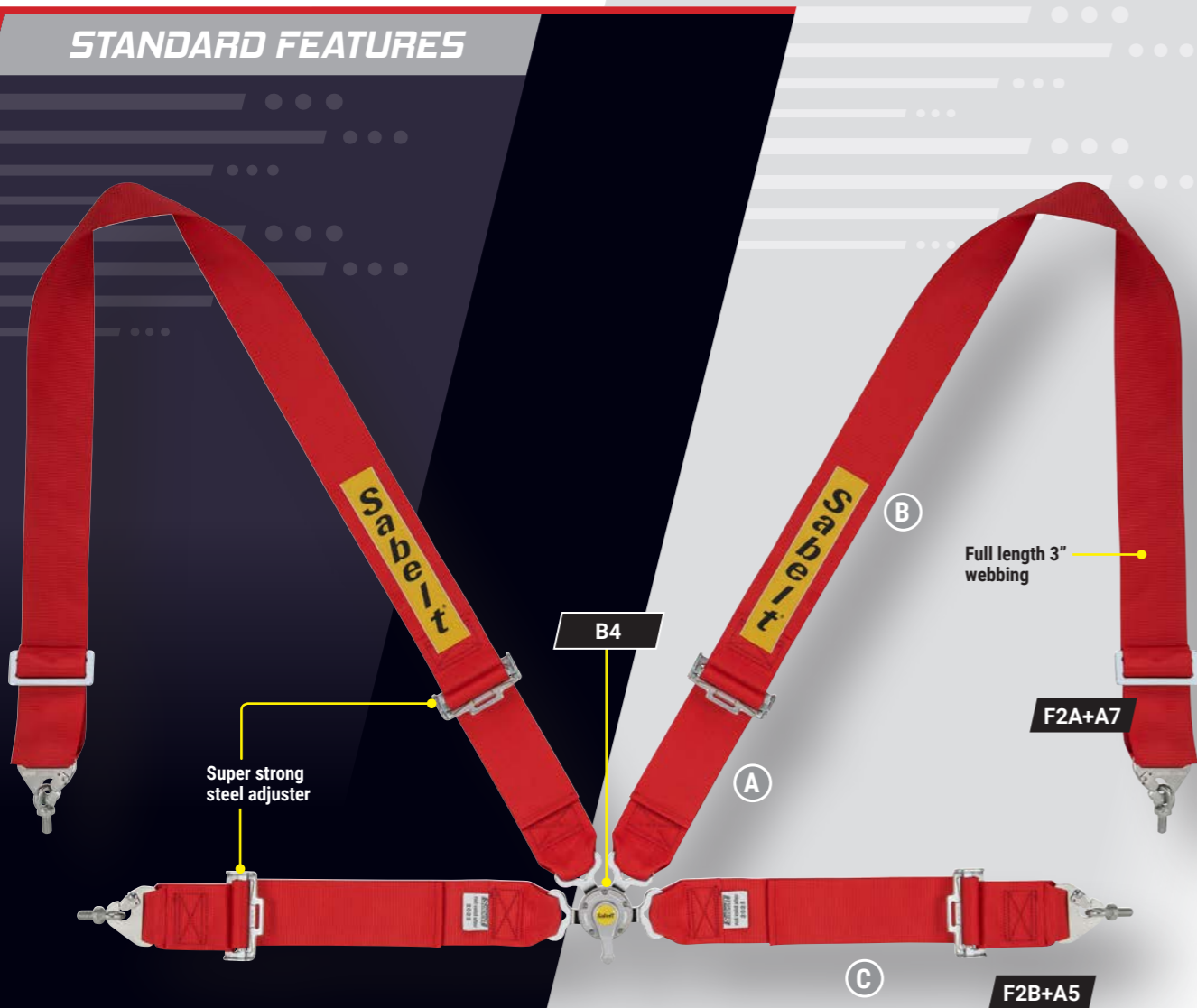
A 480 • **B** 450 • **C** 130+610

STANDARD COLOURS/CODES

■ CCS433SRDN • ■ CCS433SNDN • ■ CCS433SBDN

CCS433SRUN

STANDARD FEATURES



SALOON

FIA 8854/98

STANDARD MEASURES (mm)

A 380 • **B** 1700 • **C** 560 + 120

STANDARD COLOURS/CODES

■ CCS433SRUN • ■ CCS433SNUN • ■ CCS433SBUN

CROTCH STRAPS

To upgrade 4-point Belts 8854/98 to 6-Point 8853/98. **Warning:** only until "Not valid after 2022" produced until 2017 can be converted. The 4-point belts produced since 2018 cannot be converted.



T-TYPE - T-type crotch strap. Snap hook fixing with 7/16" eyebolt included. Adjustable length. New anatomical T-bar. 2" webbing. Fits to all Sabelt range of harnesses for saloon cars.

- 414850E
- 412850E
- 411850E

BOLT-IN V-TYPE - V-type crotch strap bolt-in. 2" webbing, adjustable length. Fits to all Sabelt range of harnesses for saloon cars.

- 414853E
- 412853E
- 411853E

SNAP HOOK V-TYPE - V-type crotch strap. Snap hook fixing with 7/16" eyebolt included. 2" webbing adjustable length. Fits to all Sabelt range of harnesses for saloon cars.

- 414853ME
- 412853ME
- 411853ME

GOLFARI E PIASTRE - EYE BOLTS AND PLATES



407005



CCM10018



CCM10023



CCM10017 - WESTFIELD



CCM10016



SB/2049

Standard eye-bolt diam. 7/16" UNF thread length 23 mm, 25 mm tot., 8.8.

Eye-bolt 7/16" UNF, thread length 32 mm, 8.8

Eye-bolt metric M10 x 1.5 thread length 23 mm, 8.8. Does not comply with FIA requirements.

Eye-bolt 50 mm. long, 7/16", 8.8

Eye-bolt back plate 65 mm x 65 mm x 3 mm 7/16" UNF thread welded nut, 40 mm2. Complies with FIA requirements.

Eye bolt back plate 50 x 25 mm, 6 mm thick, 7/16" UNF thread. Does not comply with FIA requirements.

CUSCINETTI - PADS



Vep fabric shoulder cover. 75 mm (3") width. Hook and loop fastening.

- 475040
- 475020
- 475010



Vep fabric shoulder cover. 50 mm (2") width. Hook and loop fastening.

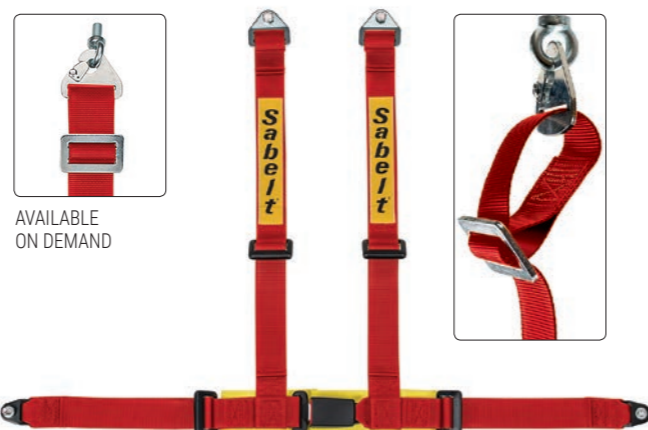
- 450040
- 450020
- 450010

CFCC4046

SALOON
4 FIXING POINTS
NOT Homologated

STANDARD COLOURS/CODES

CFCC4046
CFCC2046
CFCC1046



AVAILABLE
ON DEMAND

904059NP

SALOON
3 FIXING POINTS
Homologation: ECE

STANDARD COLOURS/CODES

904059NP
902059NP
901059NP
907059NP



Coppia cuscinetti
coprispalla inclusa.
Pair of shoulder pads
included.



904020NP

SALOON
4 FIXING POINTS
Homologation: ECE

STANDARD COLOURS/CODES

904020NP
902020NP
901020NP
907020NP



Coppia cuscinetti
coprispalla inclusa.
Pair of shoulder pads
included.



904005N

SALOON
3 FIXING POINTS
Homologation: ECE

STANDARD COLOURS/CODES

904005N
902005N
901005N
907005N



904070NP

SALOON
4 FIXING POINTS
Homologation: ECE

STANDARD COLOURS/CODES

904070NP
902070NP
901070NP
907070NP



Coppia cuscinetti
coprispalla inclusa.
Pair of shoulder pads
included.



904019N

SALOON
3 FIXING POINTS
Homologation: ECE

STANDARD COLOURS/CODES

904019N
902019N
901019N
907019N



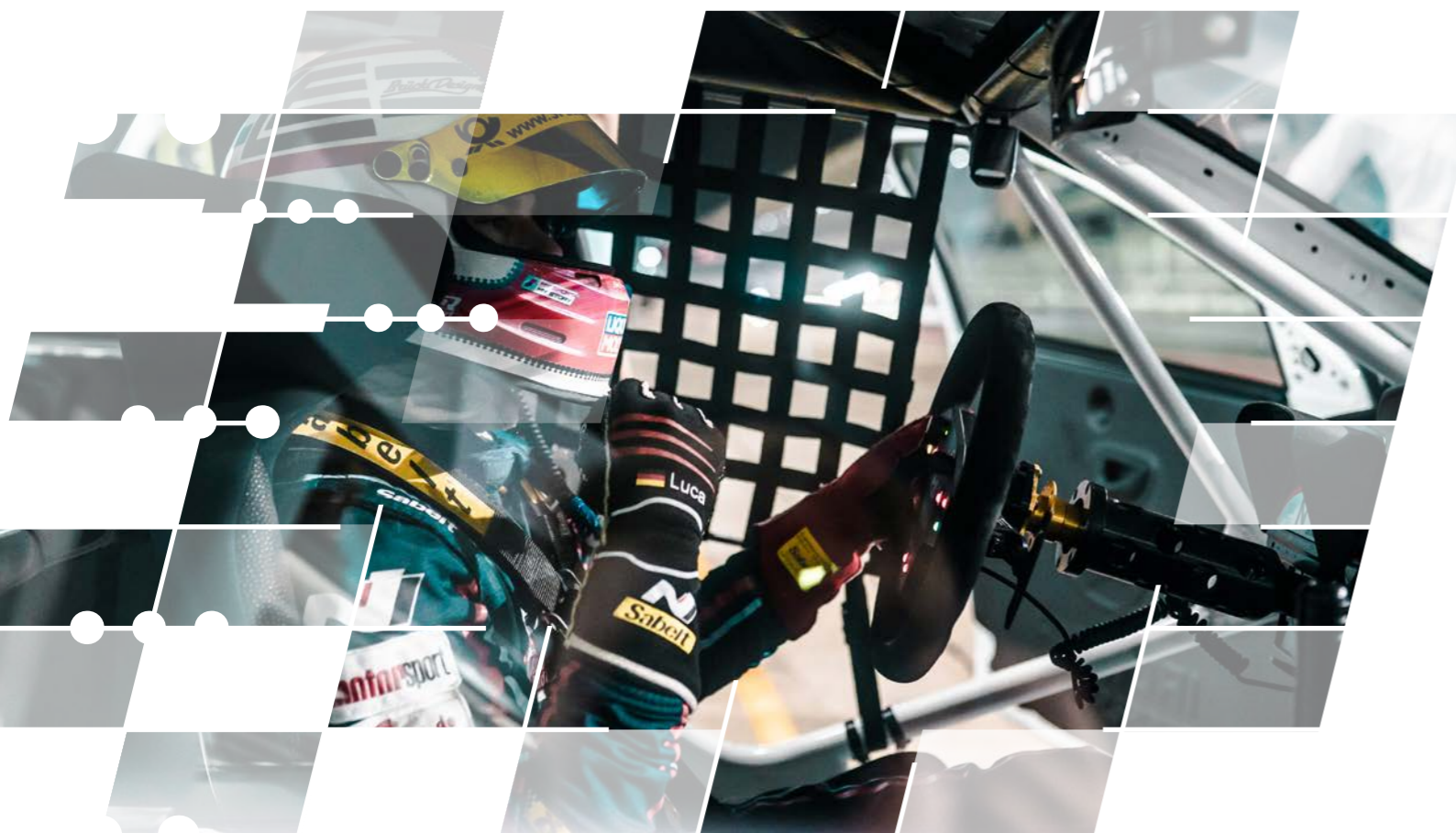
NETS

JAGUAR
I-PACE
eTROPHY

Sabelt

OFFICIAL SUPPLIER



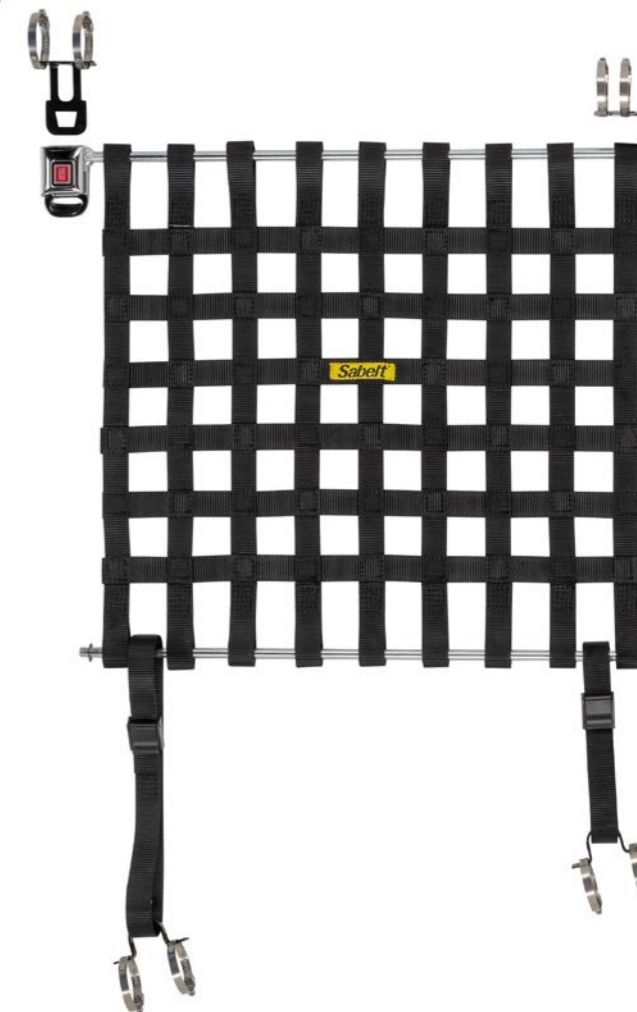


Z280988

WINDOW NET

- Professional window net.
- Quick release with push button
- Rollcage fixing clamps
- Rigid metal bars
- Tightening adjusters
- Polyester webbing

In compliance with Fia regulation.



FCRN2000

RACING NET



MANUFACTURER: SABELT
MODEL: FCRN2000
HOM. NO: RN.015.18
FIA STANDARD: 8863-2013

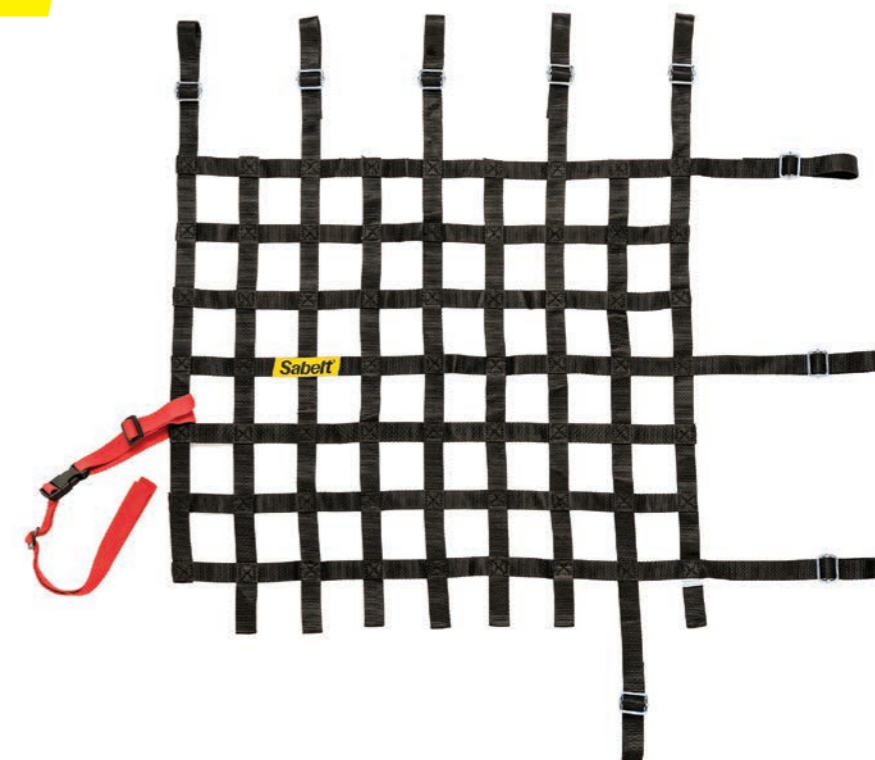
LEFT VERSION
FCRN2000S01LH
RIGHT VERSION
FCRN2000S01RH

Z280985

WINDOW NET

- Professional window net
- Red webbing opening System
- Rollcage mounting
- Tightening adjusters
- Polyester webbing

In compliance with Fia regulation.



SEATS



FIA 8862-2009

CIRCUIT only

GT-E

- Shell: CARBON
- Fixing: BRACKETS
- Size: M



GT-635 M

- Shell: CARBON
- Fixing: SLIDERS
- Size: M



GT-635 L

- Shell: CARBON
- Fixing: SLIDERS
- Size: L



GT-635 XL

- Shell: CARBON
- Fixing: SLIDERS
- Size: XL



SALOON / RALLY / CIRCUIT

GT-630 H

- Shell: CARBON
- Fixing: BRACKETS
- Size: M

GT-PRO M **NEW**

- Shell: CARBON
- Fixing: BRACKETS
- Size: M



GT-635 M

- Shell: CARBON
- Fixing: BRACKETS
- Size: M



GT-635 L

- Shell: CARBON
- Fixing: BRACKETS
- Size: L



GT-635 XL

- Shell: CARBON
- Fixing: BRACKETS
- Size: XL



GT-621

- Shell: CARBON
- Fixing: BRACKETS
- Size: M



GT-621

- Shell: CARBON
- Fixing: BRACKETS
- Size: L



FIA 8855-1999

HEAD PROTECTION

X-PAD CARBON **NEW**

- Shell: CARBON
- Fixing: BRACKETS
- Size: L

X-PAD RALLYCROSS **NEW**

- Shell: FIBERGLASS
- Fixing: BRACKETS
- Size: L



X-PAD

- Shell: FIBERGLASS
- Fixing: BRACKETS
- Size: L



GT-PAD

- Shell: FIBERGLASS
- Fixing: BRACKETS
- Size: XL



TAURUS M

- Shell: FIBERGLASS
- Fixing: BRACKETS
- Size: M



TAURUS L

- Shell: FIBERGLASS
- Fixing: BRACKETS
- Size: L



TAURUS XL

- Shell: FIBERGLASS
- Fixing: BRACKETS
- Size: XL



NO HEAD PROTECTION

TITAN CARBON L

- Shell: CARBON
- Fixing: BRACKETS
- Size: L



TITAN CARBON XL

- Shell: CARBON
- Fixing: BRACKETS
- Size: XL



TITAN L

- Shell: FIBERGLASS
- Fixing: BRACKETS
- Size: L



TITAN XL

- Shell: FIBERGLASS
- Fixing: BRACKETS
- Size: XL



GT-3

- Shell: FIBERGLASS
- Fixing: BRACKETS
- Size: L



RACER DUO

- Shell: TUBULAR
- Fixing: BRACKETS
- Size: L



SEATS ACCESSORIES AND SPARES

CUSCINI - CUSHIONS

**S1**

Schienale sedile sp. 20 mm
Seatback cushion th. 20 mm

TITAN	RRTITAU002_A
TITAN MAX	RRTITAU003_A
TAURUS	RRTITAU002_A
TAURUS MAX	RRTITAU003_A

**CS1**

Cuscino seduta sp. 20 mm
Lower cushion th. 20 mm

TITAN	RRTITAU004_A
TITAN MAX	RRTITAU007_A
TAURUS	RRTITAU004_A
TAURUS MAX	RRTITAU007_A

**CS2**

Cuscino seduta sp. 40 mm
Lower cushion th. 40 mm

TITAN	RRTITAU005_A
TITAN MAX	RRTITAU008_A
TAURUS	RRTITAU005_A
TAURUS MAX	RRTITAU008_A

**CS3**

Lower cushion th. 50 mm

TITAN	RRTITAU006_A
TITAN MAX	RRTITAU009_A
TAURUS	RRTITAU006_A
TAURUS MAX	RRTITAU009_A

**PG1**

Poggiagambe sp. 40 mm
Leg cushion th. 40 mm

TITAN	RRTITAU010_A
TITAN MAX	RRTITAU012_A
TAURUS	RRTITAU010_A
TAURUS MAX	RRTITAU012_A

**PG2**

Poggiagambe sp. 50 mm
Leg cushion th. 50 mm

TITAN	RRTITAU011_A
TITAN MAX	RRTITAU013_A
TAURUS	RRTITAU011_A
TAURUS MAX	RRTITAU013_A

**CPR**

Coppia poggiaresi laterali
Lower back support

RRTITAU014_A

**CL**

Lumbar support

RRTITAU001_A

KIT - SET

**KF**

Seat cover kit.

GT-621 Size M	RRGT621019
GT-621 Size L	RRGT621020
GT-625 Size L	RRGT625018
GT-635 Size M	RRGT635015
GT-635 Size L	RRGT635016
GT-635 Size XL	RRGT635017

**KFP**

Seat cover kit with bezels.

TITAN	RRTITAN021
TITAN MAX	RRTITAN022
TITAN CARBON	RRTITCAR026
TITAN MAX CARBON	RRTITCAR027
TAURUS M	RRTAURUS023
TAURUS	RRTAURUS024
TAURUS MAX	RRTAURUS025

PLASTICHE PASSACINTURA - HARNESS SLOT

**KP**

Bezels for 8855 seats.

RRCB0028

**MP**

Bezel for GT-635 and GT-625.

RCB00011

SEATS ACCESSORIES AND SPARES

FIXING FRAMES



F1 Z200087

Steel brackets, th. 3mm, in compliance with FIA.



F2 Z20005B

Aluminium brackets, th. 5 mm, in compliance with FIA.



F3 Z200002

Sliders, travel 230 mm. No FIA.



F4 RCST635FIX

Steel brackets for GT-635, Fia homologated. Note: Specify the seat size during the order.



F5

Sliders for GT-635.



F6 XRFST0007

Steel brackets for GT-621, FIA homologated.



F8 RFST0028

Sliders for GT-PRO M.



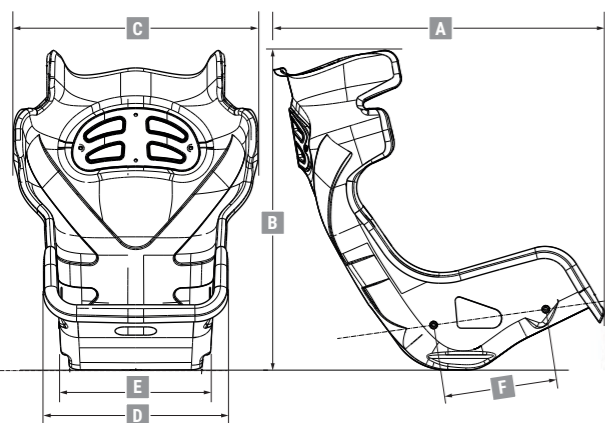
F10 RCST0005

Steel brackets for GT-E, FIA homologated.

Size M RFST635SLIDINGM Size L / XL RFST635SLIDINGXL

LEGEND SEAT DIMENSIONS CHART

SHELL DIMENSIONS (mm)



A	Length
B	Height
C	External shoulder width
D	External lower frontal width
E	External lower rear width
F	Lateral interaxis distance
📏	Shell weight (kg)

INTERNAL SEAT DIMENSIONS (mm)



G	Rear lower cushion width
H	Frontal lower cushion width
I	Internal shoulder width
L	Central seatback width
M	Internal head protection width
N	Central bezel height
📏	Seat weight (kg)

GT-910

MADE IN USA

Full Carbon, Textreme external layer (unique design).
 Weight in compliance with new standards (42 lbs weight). Headrest included.
 Low COG (center of gravity).
 NASCAR Approved (69G sled test - SFI homologation - NASCAR 2015 quasi-static test).
 Size M.
 Shell made of seat + asymmetric headrest.
 Designed along with one of the most prestigious NASCAR Team.
 The seat is used and appreciated by several Top Drivers.



HOMOLOGATION
 SFI 39.1

SIZE M

GT-910

SCOCCA - SHELL RFGT910M
 POGGIATESTA - HEADREST RCGT911AM
 POGGIATESTA +1" - HEADREST +1" RCGT913AM

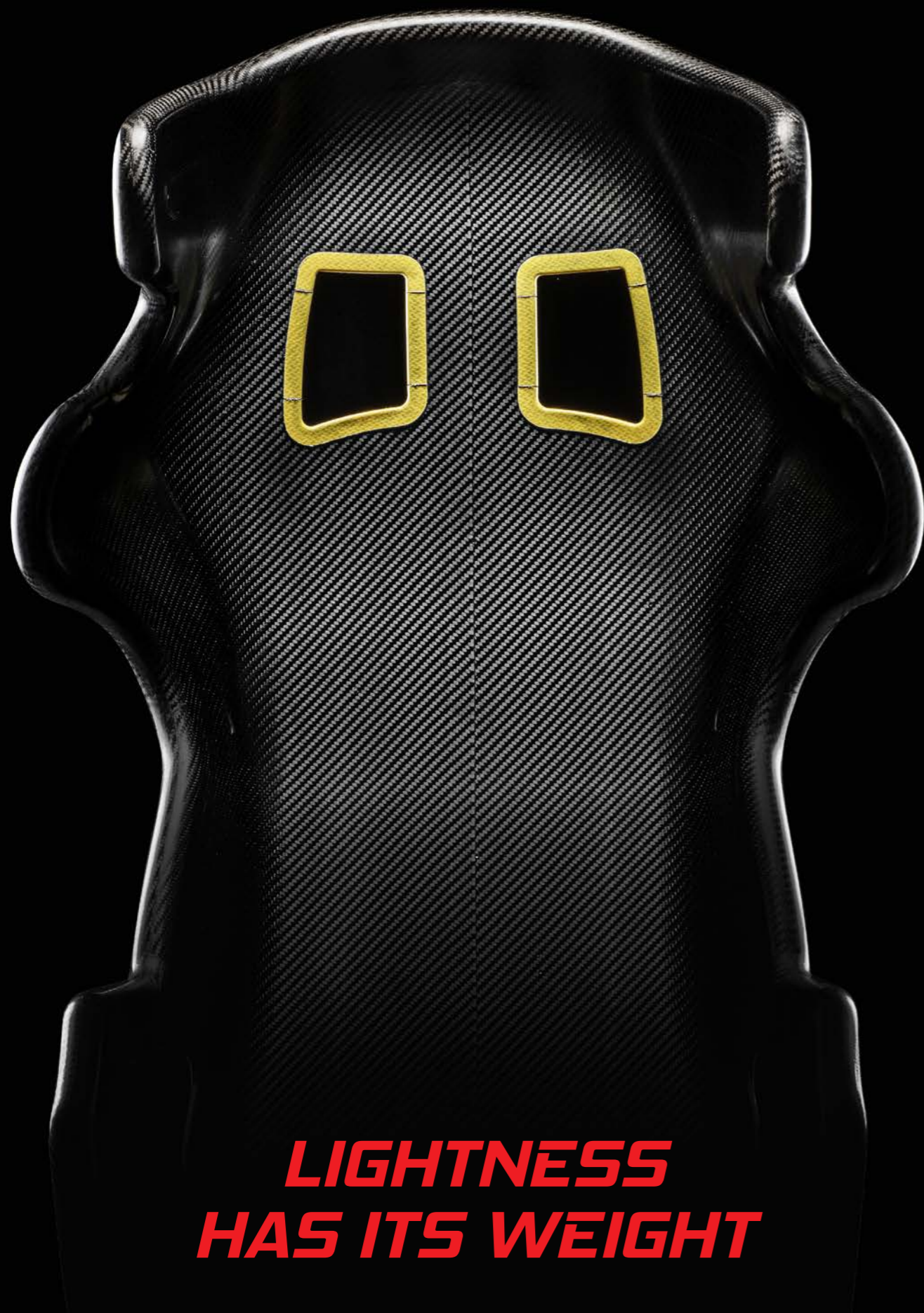


GT-630 H



FIA APPROVED

MANUFACTURER: SABELT
MODEL: GT-630 H
HOM. NO: AS.047.16
FIA STANDARD: 8862-2009

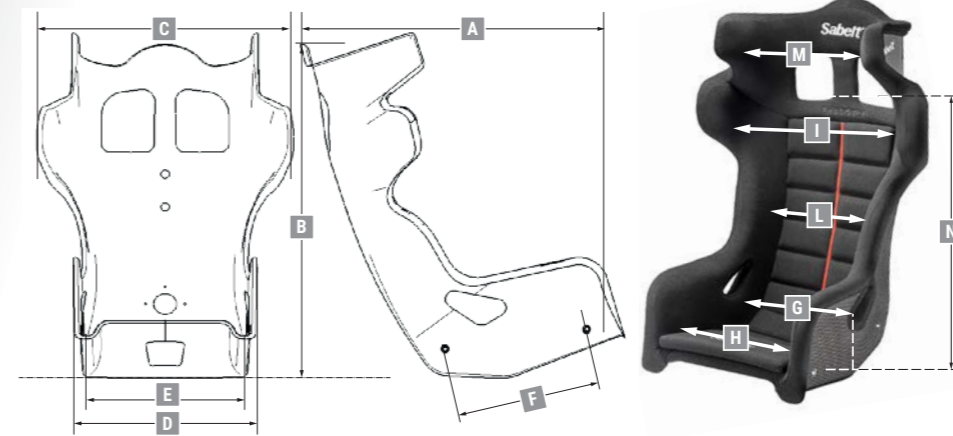


**LIGHTNESS
HAS ITS WEIGHT**



NEW

GT-PRO M



GT-PRO M	
SHELL DIMENSIONS (mm)	
A	825
B	814
C	625
D	443
E	389
F	340
⊕	8,5
INTERNAL SEAT DIMENSIONS (mm)	
G	310
H	330
I	530
L	330
M	330
N	640
⊕	10,1



FIA APPROVED
 MANUFACTURER: SABELT
 MODEL: GT-PRO M
 HOM. NO: AS.081.19
 FIA STANDARD: 8862-2009

SIZE M
 GT-PRO M

RFSEGT-PRO-M-N



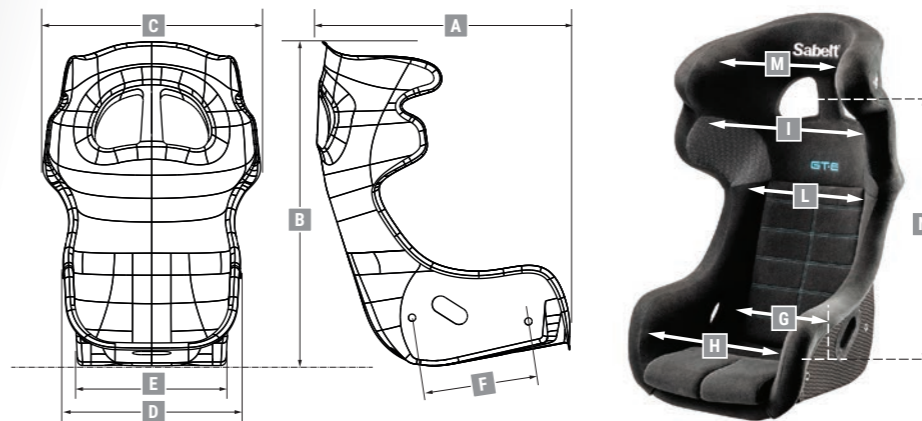
SALOON / RALLY / CIRCUIT

FIXING FRAMES

F8



GT-E



GT-E	
SHELL DIMENSIONS (mm)	
A	580
B	890
C	595
D	540
E	418
F	320
⊕	12,6
INTERNAL SEAT DIMENSIONS (mm)	
G	340
H	370
I	495
L	330
M	370
N	700
⊕	15,0



FIA APPROVED
 MANUFACTURER: SABELT
 MODEL: GT-E
 HOM. NO: AS.071.18
 FIA STANDARD: 8862-2009

SIZE M
 GT-E
 RFSEGTE

CIRCUIT ONLY

JAGUAR I-PACE eTROPHY

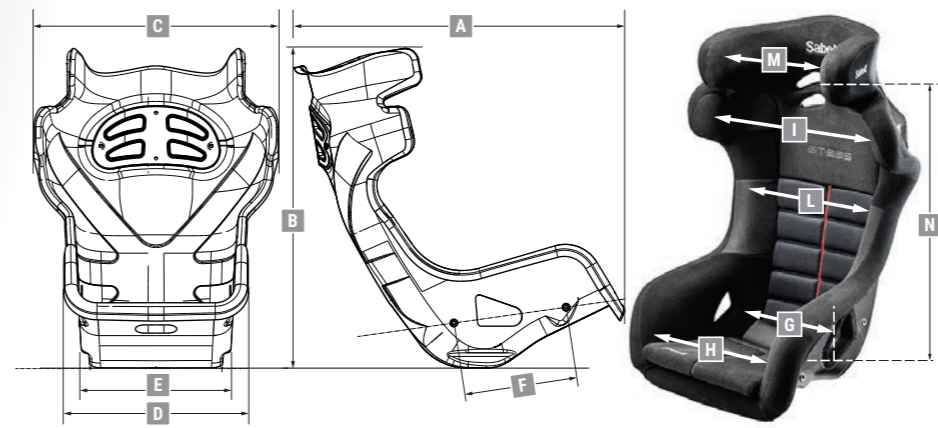
Sabelt

OFFICIAL SUPPLIER

FIXING FRAMES

F10

GT-635



	GT-635 M	GT-635 L	GT-635 XL
SHELL DIMENSIONS (mm)			
A	530	540	540
B	910	930	930
C	656	676	676
D	472	502	502
E	400	430	430
F	290	290	290
⊕	8,4	11,3	11,3
INTERNAL SEAT DIMENSIONS (mm)			
G	316	337	357
H	349	364	384
I	541	546	566
L	368	417	437
M	317	325	325
N	670	656	656
⊕	10,9	13,8	13,5

SPARES AND ACCESSORIES



FIA APPROVED
 MANUFACTURER: SABELT
 MODEL: GT-635 M
 HOM. NO: AS.057.16
 FIA STANDARD: 8862-2009

SIZE M
GT-635 M



FOR SLIDING BRACKETS:
RFSEGT635DMN

WITH SLIDING BRACKETS:

F4



CIRCUIT ONLY

FIA APPROVED
 MANUFACTURER: SABELT
 MODEL: GT-635-F M
 HOM. NO: AS.060.16
 FIA STANDARD: 8862-2009

SIZE M
GT-635 M



FOR FIXED BRACKETS:
RFSEGT635MN

WITH FIXED BRACKETS:

F5



SALOON / RALLY / CIRCUIT

FIA APPROVED
 MANUFACTURER: SABELT
 MODEL: GT-635 XL
 HOM. NO: AS.058.16
 FIA STANDARD: 8862-2009

SIZE L
GT-635 L



FOR SLIDING BRACKETS:
RFSEGT635DLN

SIZE XL
GT-635 XL



FOR SLIDING BRACKETS:
RFSEGT635DXLN

FIA APPROVED
 MANUFACTURER: SABELT
 MODEL: GT-635-F XL
 HOM. NO: AS.061.16
 FIA STANDARD: 8862-2009

SIZE L
GT-635 L



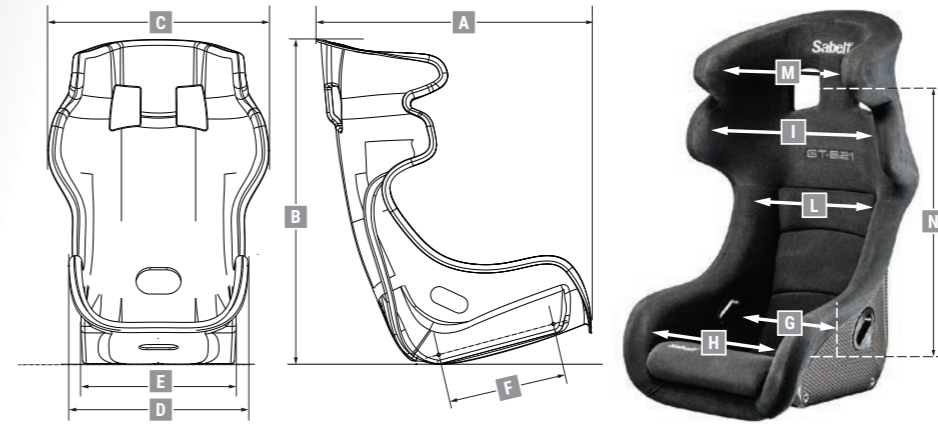
FOR FIXED BRACKETS:
RFSEGT635LN

SIZE XL
GT-635 XL



FOR FIXED BRACKETS:
RFSEGT635XLN

GT-621



	GT-621 M	GT-621 L
SHELL DIMENSIONS (mm)		
A	567	
B	930	
C	611	
D	497	
E	409	
F	320	
🔒	8,5	
INTERNAL SEAT DIMENSIONS (mm)		
G	331	361
H	348	378
I	495	525
L	335	365
M	350	350
N	642	642
🔒	11,5	11,0

SPARES AND ACCESSORIE



KIT KF



MANUFACTURER: SABELT
MODEL: GT-621
HOM. NO: AS.056.16
FIA STANDARD: 8862-2009

SIZE M

GT-621 M

RFSEGT621MN



SIZE L

GT-621 L

RFSEGT621LN



SALOON / RALLY / CIRCUIT

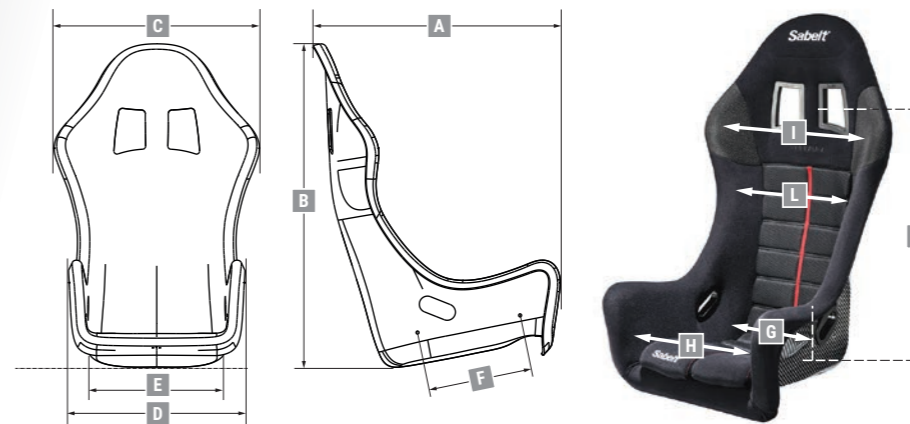
FIXING FRAMES



F6



TITAN CARBON



	TITAN CARBON	TITAN CARBON MAX
SHELL DIMENSIONS (mm)		
A	559	
B	935	
C	603	
D	525	
E	418	
F	290	
N	4,9	
INTERNAL SEAT DIMENSIONS (mm)		
G	316	341
H	383	403
I	502	530
L	383	400
M	-	-
N	657	657
	7,1	6,9

SPARES AND ACCESSORIE

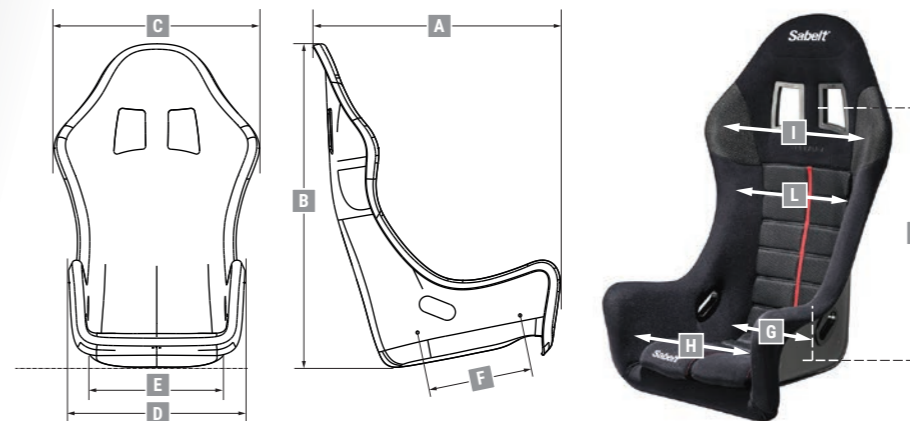


FIXING FRAMES





TITAN



	TITAN	TITAN MAX
SHELL DIMENSIONS (mm)		
A	600	602
B	945	957
C	584	606
D	487	506
E	392	415
F	290	290
📏	7,4	7,8
INTERNAL SEAT DIMENSIONS (mm)		
G	293	313
H	357	367
I	504	517
L	343	379
M	-	-
N	654	690
📏	9,5	9,9

SPARES AND ACCESSORIES



FIA APPROVED
 MANUFACTURER: SABELT
 MODEL: TITAN
 HOM. NO: CS.349.16
 FIA STANDARD: 8855-1999

SIZE L
TITAN

RFSETITANLN



FIA APPROVED
 MANUFACTURER: SABELT
 MODEL: TITAN MAX
 HOM. NO: CS.350.16
 FIA STANDARD: 8855-1999

SIZE XL
TITAN MAX

RFSETITANXLN



FIXING FRAMES



X-PAD CARBON

»»» **DCT-SUPER NARROW**
head protection «««



NEW



Carbon shell

ADS
Air Ducting System

Kinderpoint
anti-slip fabric

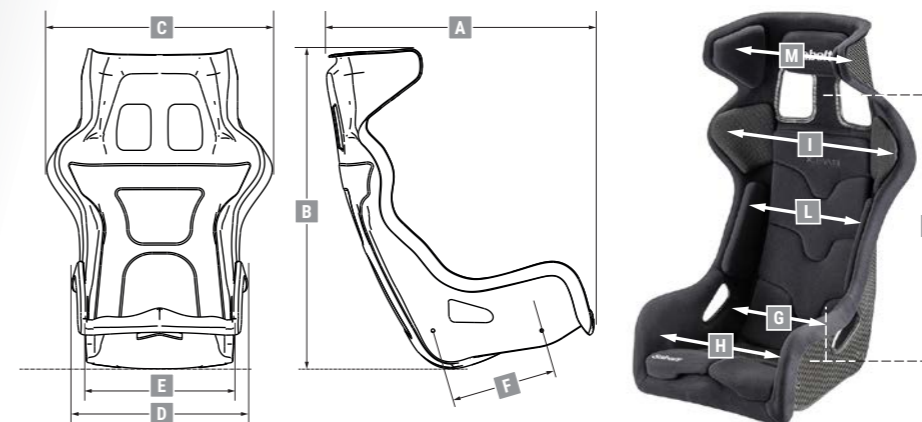
High side
protection

Shell leg separator

Backrest with
ergonomic curver.

Hole of bezel increased

Dedicated
antisubmarine



X-PAD CARBON	
SHELL DIMENSIONS (mm)	
A	550
B	900
C	600
D	396
E	390
F	290
Ⓛ	4,9
INTERNAL SEAT DIMENSIONS (mm)	
G	362
H	368
I	447
L	358
M	338
N	661
Ⓛ	6,3



FIA APPROVED

MANUFACTURER: SABELT
MODEL: X-PAD CARBON
HOM. NO: CS.418.19
FIA STANDARD: 8855-1999

SIZE L

X-PAD CARBON

RFSEXPADCARBON



PAD KIT

COLOUR	SIZE	CODE
	L	RCXPADKITLN

IL KIT COMPRENDE TUTTI I CUSCINI
VISIBILI IN FIGURA
THE KIT INCLUDES ALL THE PADS
VISIBLE IN THE PICTURE



FIXING FRAMES

F1



F2



X-PAD RALLYCROSS



»»» **DCT-SUPER NARROW**
head protection «««

NEW

EASY TO CLEAN

ADS
Air Ducting System

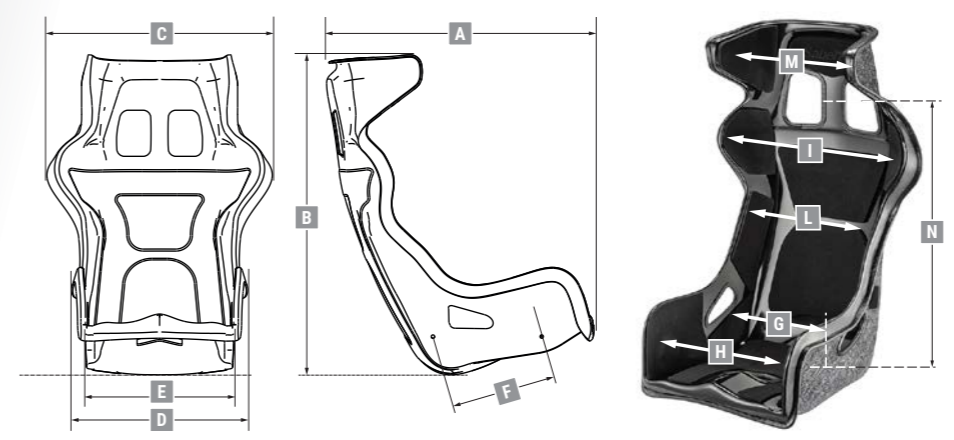
High side
protection

Shell leg separator

Backrest with
ergonomic curver.

Hole of bezel increased

Dedicated
antisubmarine



X-PAD RALLYCROSS	
SHELL DIMENSIONS (mm)	
A	550
B	900
C	600
D	396
E	390
F	290
⊕	6,5
INTERNAL SEAT DIMENSIONS (mm)	
G	372
H	378
I	460
L	370
M	340
N	661
⊕	7,3



FIA APPROVED

MANUFACTURER: SABELT
MODEL: X-PAD
HOM. NO: CS.419.19-
FIA STANDARD: 8855-1999

SIZE L

X-PAD RALLYCROSS

RFSEXPADRALLYCROSS

(SEAT ONLY
WITHOUT PADDING KIT)



PAD KIT

COLOUR	SIZE	CODE
■	L	RCXPADKITRCROSS

IL KIT COMPRENDE TUTTI I CUSCINI
VISIBILI IN FIGURA
THE KIT INCLUDES ALL THE PADS
VISIBLE IN THE PICTURE

EXTRA 2 PADS
30 x 30 cm INCLUDED



FIXING FRAMES

F1



F2



X-PAD

»»» **DCT-SUPER NARROW**
head protection «««



Kinderpoint anti-slip fabric

ADS
Air Ducting System

High side protection

Shell leg separator

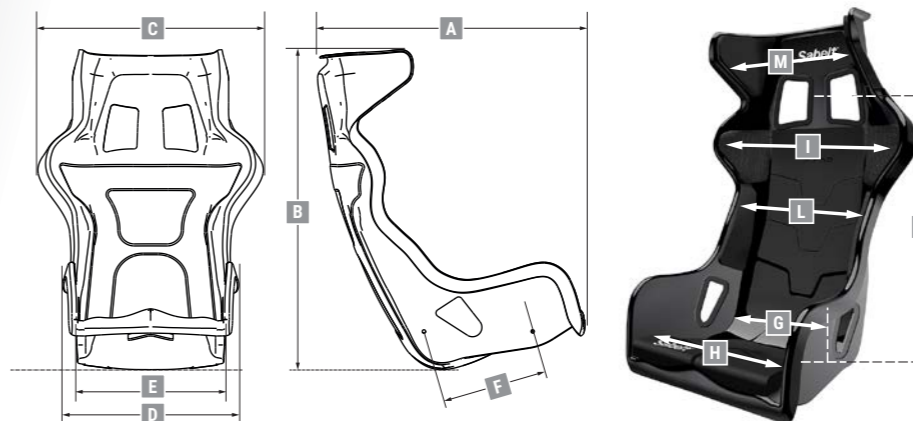
Sabelt

X-PAD

Backrest with ergonomic curver.

Hole of bezel increased

Dedicated antisubmarine



X-PAD	
SHELL DIMENSIONS (mm)	
A	550
B	900
C	600
D	396
E	390
F	290
⊕	6,0
INTERNAL SEAT DIMENSIONS (mm)	
G	362
H	368
I	447
L	358
M	338
N	661
⊕	7,7

PAD KITS

IL KIT COMPRENDE TUTTI I CUSCINI VISIBILI IN FIGURA
THE KIT INCLUDES ALL THE PADS VISIBLE IN THE PICTURE

COLOUR	SIZE	CODE
■	L	RCXPADKITLN



FIA APPROVED

MANUFACTURER: SABELT
MODEL: X-PAD
HOM. NO: CS.419.19
FIA STANDARD: 8855-1999

SIZE L

X-PAD

RFSEXPAD



FIXING FRAMES

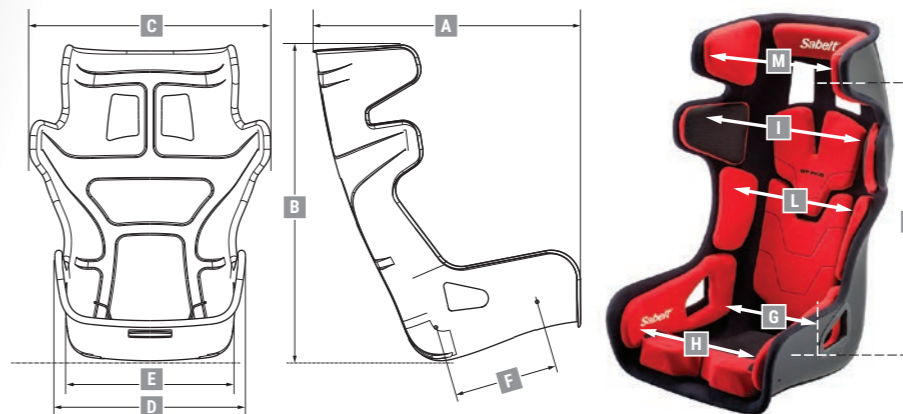
F1



F2



GT-PAD



	GT-PAD M	GT-PAD L	GT-PAD XL
SHELL DIMENSIONS (mm)			
A	744		
B	878		
C	670		
D	529		
E	471		
F	290		
⊕	8,9		
INTERNAL SEAT DIMENSIONS (mm)			
G	365	380	395
H	405	420	435
I	540	550	560
L	346	356	366
M	380	380	380
N	660	660	660
⊕	10,7	10,6	10,5

PAD KITS

IL KIT COMPRENDE TUTTI I CUSCINI VISIBILI IN FIGURA
THE KIT INCLUDES ALL THE PILLOWS VISIBLE IN THE PICTURE



COLOUR	SIZE	CODE
Black	M	RCGTPADKITMN
	L	RCGTPADKITLN
	XL	RCGTPADKITXLN

COLOUR	SIZE	CODE
Red	M	RCGTPADKITMR
	L	RCGTPADKITLR
	XL	RCGTPADKITXLR

ACCESSORIES



Cuscino seduta spessore 40 mm
Lower cushion thickness 40 mm

RRGTPAD028



MANUFACTURER: SABELT
MODEL: GT-PAD
HOM. NO: CS.391.18
FIA STANDARD: 8855-1999

SIZE XL

GT-PAD

RFSEGTPAD *



* Attention: this code refers to the seat excluding the pad kits.
The pad kits are provided/supplied separately.

FIXING FRAMES

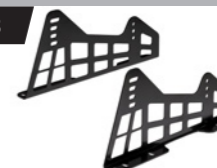
F1



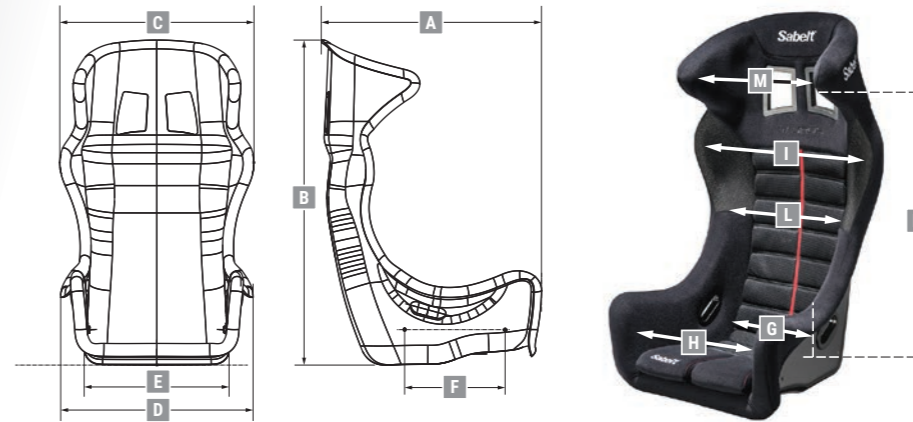
F2



F8



TAURUS



	TAURUS M	TAURUS	TAURUS MAX
SHELL DIMENSIONS (mm)			
A	543	550	586
B	925	979	980
C	579	582	588
D	475	481	519
E	377	392	411
F	290	290	290
⊞	8,4	9,0	9,7
INTERNAL SEAT DIMENSIONS (mm)			
G	300	318	326
H	364	348	393
I	486	501	512
L	345	362	393
M	341	357	394
N	685	717	716
⊞	10,5	11,2	11,4

SPARES AND ACCESSORIE



FIA APPROVED
 MANUFACTURER: SABELT
 MODEL: TAURUS TG M
 HOM. NO: CS.368.17
 FIA STANDARD: 8855-1999

SIZE M
TAURUS M
 RFSETAURUSMN

FIA APPROVED
 MANUFACTURER: SABELT
 MODEL: TAURUS
 HOM. NO: CS.346.16
 FIA STANDARD: 8855-1999

SIZE L
TAURUS
 RFSETAURUSN

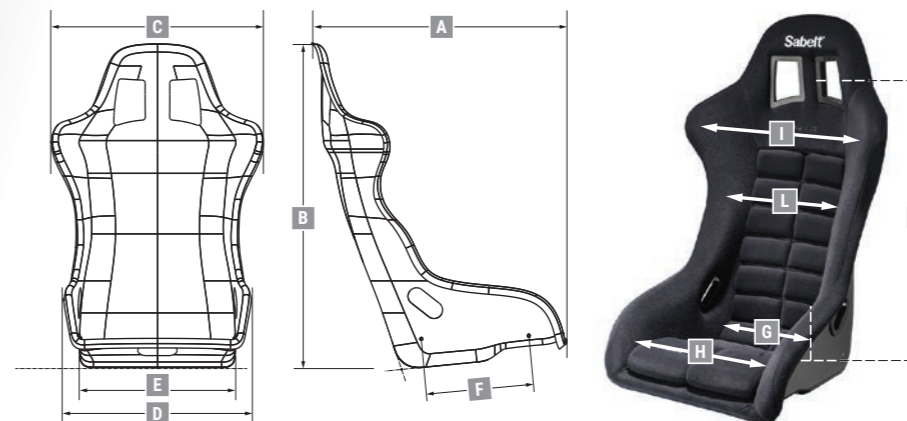
FIA APPROVED
 MANUFACTURER: SABELT
 MODEL: TAURUS MAX
 HOM. NO: CS.347.16
 FIA STANDARD: 8855-1999

SIZE XL
TAURUS MAX
 RFSETAURUSXLN

FIXING FRAMES



GT-3



GT-3	
SHELL DIMENSIONS (mm)	
A	460
B	920
C	592
D	539
E	416
F	290
⊕	7,2
INTERNAL SEAT DIMENSIONS (mm)	
G	355
H	386
I	469
L	354
M	-
N	706
⊕	9,8

SPARES AND ACCESSORIE



KIT KP



MANUFACTURER: SABELT
 MODEL: GT-3
 HOM. NO: CS.355.17
 FIA STANDARD: 8855-1999

SIZE L

GT-3

RFSEGT3N



FIXING FRAMES

F1

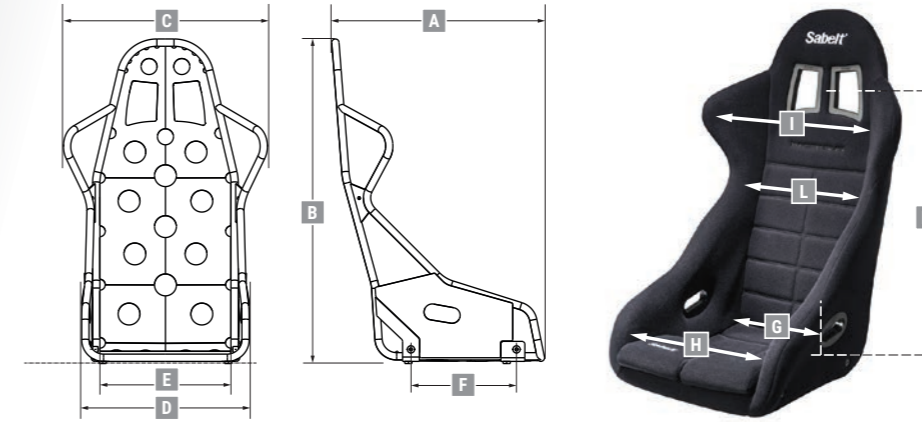


F2





RACER DUO



RACER DUO	
SHELL DIMENSIONS (mm)	
A	463
B	890
C	582
D	489
E	422
F	290
⊕	10,0
INTERNAL SEAT DIMENSIONS (mm)	
G	324
H	377
I	509
L	374
M	-
N	637
⊕	12,0

SPARES AND ACCESSORIE



MANUFACTURER: SABELT
 MODEL: RACER DUO
 HOM. NO: CS.387.17
 FIA STANDARD: 8855-1999

SIZE L
RACER DUO

RFSE RACER DUO N



FIXING FRAMES



RACEWEAR



SUITS

HERO SUPERLIGHT TS-10

• Size: 46-60

NEW



HERO GT-PRO TS-9

• Size: 46-66

NEW



HERO GT TS-9

• Size: 46-66

NEW



CHALLENGE TS-3

• Size: 46-66



TI-090

• Size: S-XXL



UNDERWEAR

UI-600

• Size: XS-XXL

NEW



UI-500

• Size: XS-XXL



UI-100

• Size: S-XL



SHOES

HERO PRO TB-10

• Size: 36-48

NEW



HERO TB-9

• Size: 36-48



RS-402

• Size: 36-47



CHALLENGE TB-3

• Size: 36-48



GLOVES

HERO SUPERLIGHT TG-10

• Size: 8-12

NEW



HERO TG-9

• Size: 8-12



DIAMOND TG-7

• Size: 8-12



CHALLENGE TG-3

• Size: 8-12



HERO SUPERLIGHT TS-10

8856-2018

**HERO SUPERLIGHT TG-10**

8856-2018

**HERO PRO TB-10**

8856-2018

**FULL RANGE
OF RACEWEAR
8856-2018**

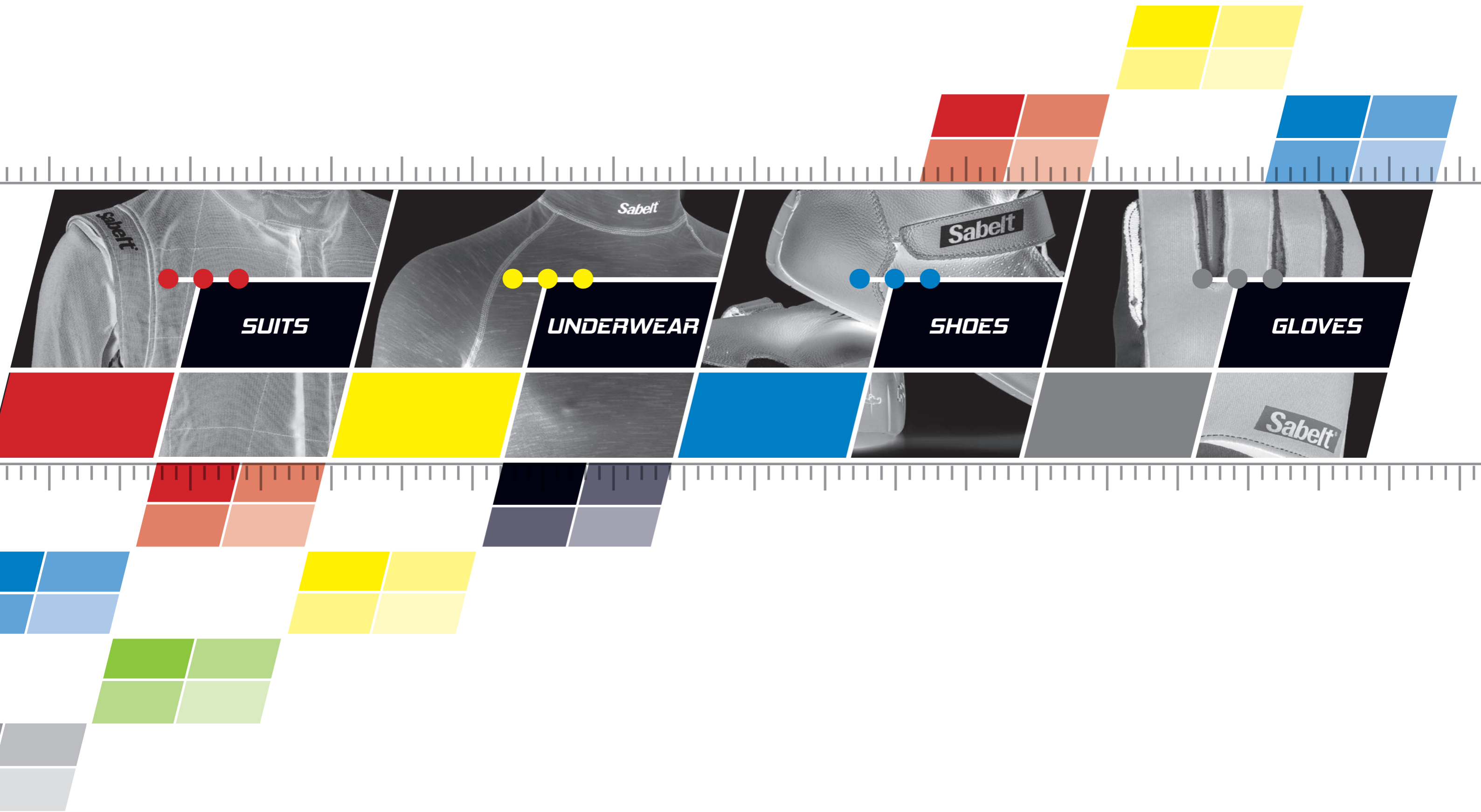
The new homologation standard FIA 8856-2018 is the evolution of the FIA 8856-2000. FIA introduced updates to increase fire protection. Sabelt has developed a full range of products to pass all the strict homologation tests and to offer lighter and more performing products respect to the passed collections 8856-2000. This success is the result of a close collaboration with the most prestigious car manufacturers which always request high levels of lightness, breathability and performance.

UI-600

8856-2018

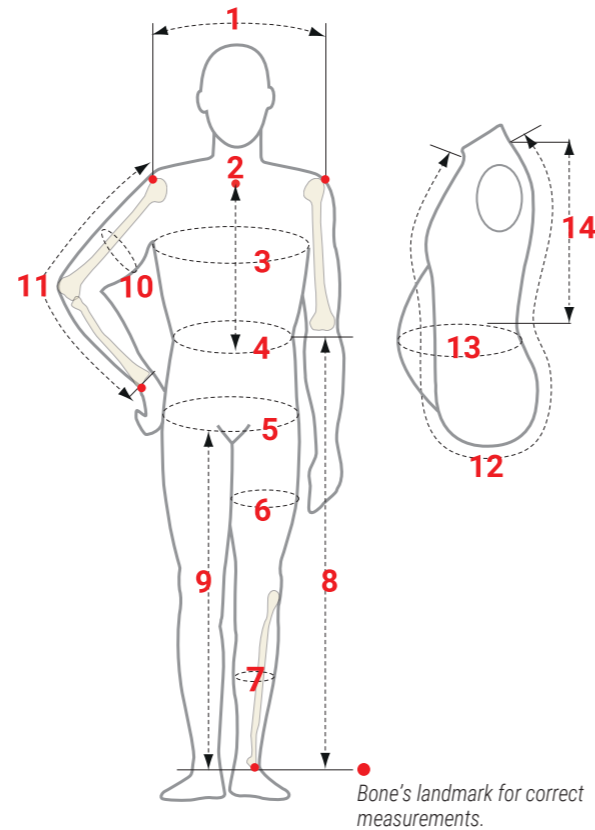


CUSTOMIZE



MADE TO MEASURE TEMPLATE - INSTRUCTIONS

- 1 Shoulder breadth (from points of shoulders bones across back)
- 2 Body length from inside shoulder to waist
- 3 Chest circumference
- 4 Waist circumference
- 5 Hip circumference
- 6 Thigh circumference
- 7 Calf circumference
- 8 Outside leg length from waist to malleolus
- 9 Desired length from the crotch to ankle
- 10 Biceps circumference
- 11 Sleeve length from point of shoulder bone to wrist (armi bent)
- 12 Crotch length from front collar bone through top of inside leg to back neck
- 13 Maximum waist circumference
- 14 Length from neck to waist



**AMERICAN FITTING
AVAILABLE ON DEMAND**

* the measurements indicated are purely indicative and may vary depending on the fit desired by the end user

SUITS - STANDARD SIZE CHARTS

SLIM FIT 8856-2018 SIZE	HERO, CHALLENGE 8856-2000 SIZES						TI-090 TM-100
	CHEST	WAIST	HIPS	WEIGHT	HEIGHT		
46	44	82-86	69-73	81-85	43-48	160-163	XS
48	46	86-90	73-77	85-89	49-54	164-166	
50	48	90-94	77-81	89-93	55-60	167-169	S
52	50	94-98	81-85	93-97	61-66	170-172	
54	52	98-102	85-89	97-101	67-72	173-175	M
56	54	102-106	89-93	101-105	73-78	176-179	
58	56	106-110	93-97	105-109	79-84	180-184	L
60	58	110-114	97-101	109-113	85-90	185-187	
-	60	114-118	101-105	113-117	91-96	188-190	XL
-	62	118-122	105-109	117-121	97-102	191-193	
-	64	122-126	109-113	121-125	103-108	194-196	XXL
-	66	126-130	113-117	125-129	109-114	197-199	

Sizes listed are in cm and are for body measurements, not for the suit.

UNDERWEAR - STANDARD SIZE CHARTS

	SIZES				
	XS-S	M-L		XL-XXL	
UI-600	XS-S	M-L		XL-XXL	
UI-500	XS-S	M-L		XL-XXL	
UI-100	S	M	L	XL	XXL
Chest	82-90	90-102	102-114	114-122	122-130
Waist	69-77	77-89	89-101	101-109	109-117
Hips	81-89	89-101	101-113	113-121	121-129
Height	162-166	167-175	176-187	188-193	194-199
Weight [kg]	43-54	55-72	73-90	91-102	103-114

Sizes listed are in cm and are for body measurements, not for the underwear.

SHOES, SOCKS, GLOVES - STANDARD SIZE CHARTS

Foot Length (cm)	SHOES			SOCKS Size
	Size EU	Size US	Size UK	
23	36	4	3,5	S
23,5	37	5	4	
24	38	6	5	
25	39	6,5	5,5	
25,5	40	7,5	6,5	M
26	41	8	7	
27	42	9	8	L
27,5	43	10	9	
28	44	10,5	9,5	XL
29	45	11,5	10,5	
29,5	46	12	11	
30	47	13	12	
31	48	14	13	



Hand Dimensions (cm)	GLOVES Size	
	Hand	Wrist
20-21	8	XS
21-22	9	S
22-23	10	M
23-24	11	L
24-25	12	XL



SUITS





HERO SUPERLIGHT TS-10

NEW

8856-2018



FIA APPROVED

SIZES 46-60

FIA 8856-2018

MANUFACTURER: SABELT
MODEL: HERO SUPERLIGHT TS-10
HOM. NO: - - - -
FIA STANDARD: 8856-2018

MADE IN ITALY

SANDWICH WEIGHT: 265 g/m²



RFTITS10BLAZ..

RFTITS10NRBI..

RFTITS10RSBI..

RFTITS10BINR..

HERO GT PRO TS-9



HERO GT PRO TS-9

NEW



FIA APPROVED

SIZES 46-66

FIA 8856-2000

MANUFACTURER: SABELT
MODEL: HERO TS-9
HOM. NO: RS.300.16
FIA STANDARD: 8856-2000

MADE IN ITALY

SANDWICH WEIGHT: 295 g/m²



RFTIGTPROTS9RSBI..

RFTIGTPROTS9NRBI..

RFTIGTPROTS9BINR..

RFTIGTPROTS9BLBI..

HERO GT TS-9



HERO GT TS-9

NEW



FIA APPROVED

SIZES 46-66

MANUFACTURER: SABELT
 MODEL: HERO TS-9
 HOM. NO: RS.300.16
 FIA STANDARD: 8856-2000

MADE IN ITALY

SANDWICH WEIGHT: 295 g/m²



RFTIGTTS9RS..

RFTIGTTS9BL..

RFTIGTTS9BGR..

RFTIGTTS9NRGR..

RFTIGTTS9NRGF..

RFTIGTTS9AFBL..

CHALLENGE TS-3



CHALLENGE TS-3



FIA APPROVED

SIZES 46-66

FIA 8856-2000

MANUFACTURER: SABELT
MODEL: CHALLENGE TS-3
HOM. NO: RS.298.16
FIA STANDARD: 8856-2000

MADE IN ITALY

SANDWICH WEIGHT: 380 g/m²



NEW

RFTITS3VR..

RFTITS3BR..

RFTITS3NG..

RFTITS3NR..

RFTITS3RS..

RFTITS3BL..

TI-090



TI-090

FIA APPROVED

SIZES S-XXL

MANUFACTURER: SABELT
MODEL: TI-090
HOM. NO: RS.269.15
FIA STANDARD: 8856-2000

SANDWICH WEIGHT: 395 g/m²



RFTI090NR..

Anti peeling material

Internal elastic band



Twill external layer

395 g/m²

Regular fit



ABARTH

COLLECTION



Only the best become Abarth

We choose our partners with the same care that we use to tune every single Abarth. That's why only brands who share our values, passion for competition and determination to outdo themselves in every daily challenge enter our "workshops".



FIA APPROVED

MANUFACTURER: SABELT
MODEL: CHALLENGE TS-3
HOM. NO: RS.298.16
FIA STANDARD: 8856-2000

SIZES **46-66**

FIA 8856-2000

RFTITS3RSAB..

FIA APPROVED

MANUFACTURER: SABELT
MODEL: CHALLENGE TS-3
HOM. NO: RS.298.16
FIA STANDARD: 8856-2000

SIZES **S-XL**

FIA 8856-2000

Z150UI100TOPAB

FIA APPROVED

MANUFACTURER: SABELT
MODEL: CHALLENGE TS-3
HOM. NO: RS.298.16
FIA STANDARD: 8856-2000

SIZES **8-12**

FIA 8856-2000

RFTG03RSAB..

FIA APPROVED

MANUFACTURER: SABELT
MODEL: CHALLENGE TS-3
HOM. NO: RS.298.16
FIA STANDARD: 8856-2000

SIZES **36-47**

FIA 8856-2000

RFTB03RSAB..

UNDERWEAR



UI-600

NEW

8856-2018



New Aramid/Viscosa material

Slim fit



External seams



MANUFACTURER: SABELT
MODEL: UI-600 BALACLAVA
HOM. NO: XX.XXX.XX
FIA STANDARD: 8856-2018

SIZES ONE SIZE

FIA 8856-2018

 Z150UI600BALB

 Z150UI600BALN


MANUFACTURER: SABELT
MODEL: UI-600 TOP
HOM. NO: XX.XXX.XX
FIA STANDARD: 8856-2018

SIZES XS-XXL

FIA 8856-2018

 Z150UI600TOPB

 Z150UI600TOPN


MANUFACTURER: SABELT
MODEL: UI-600 PANT
HOM. NO: XX.XXX.XX
FIA STANDARD: 8856-2018

SIZES XS-XXL

FIA 8856-2018

 Z150UI600PANTB

 Z150UI600PANTN

**UNDERWEAR
STRETCH FIT
SENZA CUCITURE**

**STRETCH FIT
SEAMLESS
UNDERWEAR**

100%
Aramidic fiberProfessional
hand linking

MANUFACTURER: SABELT
MODEL: UI-600 SOCKS
HOM. NO: XX.XXX.XX
FIA STANDARD: 8856-2018

SIZES S-XL

FIA 8856-2018

 Z150UI600SOCKSB

 Z150UI600SOCKSN


UI-500



Aramidic/Lenzing RF fiber

Slim fit

FIA APPROVED
 MANUFACTURER: SABELT
 MODEL: UI-500 SOTTOCASCO
 FIA STANDARD: 8856-2000

SIZES **ONE SIZE**
 FIA 8856-2000

Z150UI500BALB
 Z150UI500BALN

FIA APPROVED
 MANUFACTURER: SABELT
 MODEL: UI-500 TOP
 FIA STANDARD: 8856-2000

SIZES **XS-XXL**
 FIA 8856-2000

Z150UI500TOPB
 Z150UI500TOPN

FIA APPROVED
 MANUFACTURER: SABELT
 MODEL: UI-500 PANT
 FIA STANDARD: 8856-2000

SIZES **XS-XXL**
 FIA 8856-2000

Z150UI500PANTB
 Z150UI500PANTN

STRETCH FIT SEAMLESS UNDERWEAR



UI-100



New Aramidic/Viscosa material

Regular fit

FIA APPROVED
 MANUFACTURER: SABELT
 MODEL: UI-100 BALACLAVA
 FIA STANDARD: 8856-2000

SIZES **ONE SIZE**
 FIA 8856-2000

Z150UI100BALB
 Z150UI100BALN

FIA APPROVED
 MANUFACTURER: SABELT
 MODEL: UI-100 LONG SLEEVE
 FIA STANDARD: 8856-2000

SIZES **S-XL**
 FIA 8856-2000

Z150UI100TOPB
 Z150UI100TOPN

FIA APPROVED
 MANUFACTURER: SABELT
 MODEL: UI-100 PANTS
 FIA STANDARD: 8856-2000

SIZES **S-XL**
 FIA 8856-2000

Z150UI100PANTB
 Z150UI100PANTN

100% Aramidic fiber

Professional hand linking

FIA APPROVED
 MANUFACTURER: SABELT
 MODEL: UI-100 SOCKS
 FIA STANDARD: 8856-2000

SIZES **S-XL**
 FIA 8856-2000

Z150UI100SOCKSBB



SHOES



HERO PRO TB-10

NEW

8856-2018



Ultrathin kangaroo leather

FR printing

Breathable/soft perforated leather

Ultrathin rubber sole

External reinforcement in gum leather



SIZES 36-48

FIA 8856-2018

MANUFACTURER: SABELT
MODEL: HERO PRO TB-10
HOM. NO.:
FIA STANDARD: 8856-2018

MADE IN ITALY



RFTB10NR..

SUPERLIGHT

HERO PRO TB-10



HERO TB-9

HERO TB-9



FIA APPROVED

SIZES 36-48

FIA 8856-2000

MANUFACTURER: SABELT
MODEL: HERO TB-9
FIA STANDARD: 8856-2000

MADE IN ITALY



RFTB09BL..



RFTB09NR..



RFTB09RS..



RFTB09BL..

RS-402



FIA APPROVED
 MANUFACTURER: SABELT
 MODEL: RS-402
 FIA STANDARD: 8856-2000

SIZES 36-47

FIA 8856-2000

MADE IN ITALY



RFRS402R..

RFRS402N..

CHALLENGE TB-3



FIA APPROVED
 MANUFACTURER: SABELT
 MODEL: CHALLENGE TB-3
 FIA STANDARD: 8856-2000

SIZES 36-48

FIA 8856-2000

MADE IN ITALY



RFTB03NRG..

RFTB03BL..

RFTB03RS..

RFTB03NRR..

GLOVES



HERO SUPERLIGHT TG-10

NEW

8856-2018



Pre-curved design

Flame retardant printing

External stitching



Silicone palm

Internal soft pad

Elasticated wrist

In compliance with:
FIA Standard 8856-2018

Manufacturer name:
Sabelt

Homologation N°: DC.
Not valid after 20

FIA APPROVED

SIZES 8-12

FIA 8856-2018

MANUFACTURER: SABELT
MODEL: HERO SUPERLIGHT TG-10
HOM. NO: DC.XXX.XX-X
FIA STANDARD: 8856-2018

MADE IN ITALY



RFTG10RS..

RFTG10BL..

RFTG10NR..

RFTG10BI..



L. Engstler

HERO TG-9



FIA APPROVED

MANUFACTURER: SABELT
MODEL: HERO TG-9
FIA STANDARD: 8856-2000

SIZES 8-12

FIA 8856-2000

MADE IN ITALY



RFTG09GFN..

RFTG09NRN..

RFTG09RSN..

RFTG09BIN..

RFTG09BLN..

HERO TG-9



DIAMOND TG-7



FIA APPROVED
MANUFACTURER: SABELT
MODEL: DIAMOND TG-7
FIA STANDARD: 8856-2000

SIZES **8-12**
FIA 8856-2000

MADE IN ITALY



RFTG07RS..

RFTG07BL..

RFTG07NR..

CHALLENGE TG-3



FIA APPROVED
MANUFACTURER: SABELT
MODEL: CHALLENGE TG-3
FIA STANDARD: 8856-2000

SIZES **8-12**
FIA 8856-2000

MADE IN ITALY



RFTG03RS..

RFTG03BL..

RFTG03NR..

MECHANICS



MEC SUITS



FIA 8856-2000

AVAILABLE WITH **TS-9 - TS-7 - TS-3** HOMOLOGATION

MADE IN ITALY



A DOUBLE BELT LOOP



B RADIO OR ACCESSORIES LOOP



C SHIULDER WIRE CORD



D KNEE PADDING



E BOOT CUT

MEC SUITS

ON DEMAND



TM-100

Mechanic suit made of 100% cotton,
TI-520 design, floating sleeves,
waist stretch band, two pockets.



SIZES **S-XXL**



M14360NSC..

CHALLENGE MB-3

New machanic shoe. Suede vamp. Wide sole, with a new anti-slip geometry to ensure safety and grip. Antistatic, flameproof and antifiammaand oils and hydrocarbons resistant mesh. Soft rear tongue to ensure better comfort. New coordinate image.

RFMB03NR..



Wide sole, with special grip design allowing easy bending.



SIZES **36-46**

FIA 8856-2000

MADE IN ITALY



Protective gloves and arm protections
against mechanical and thermal risks. Cotton
and Kevlar fabric. Protects till 300° C. In
compliance with European directives: -89/686
(dexterity 4) EN420:2003, -EN388:2003.
Cut resistance (5/5).
Abrasion resistance (2/4).
Tearing resistance (4/4).
Flammability resistance (4/4).
Heat contact resistance (2/4).

< Z120560 Z120760 >
TAGLIA UNICA - ONE SIZE



STEERING WHEELS



SW-833

RFV02029
ø 330 mm

NEW

30% LIGHTER



SW-633

RFV02010X
ø 330 mm

NO STITCHING



SW-465

RFV02009X
ø 350 mm

NO STITCHING



SW-733

RFV02026
ø 330 mm

NO STITCHING



SW-635

RFV02007X
ø 350 mm

NO STITCHING



SW-390

RFV02005X
ø 350 mm

NO STITCHING



ACCESSORIES



QUICK RELEASE



Quick release steering boss for group N cars, conformity to FIA regulation, compatible with all Sabelt 6-slot steering wheels.
M220SR6GRN



Quick release steering boss to be welded for Touring/Rally cars, conformity to FIA regulation, compatible with all Sabelt 6-slot steering wheels.
M220SR6B

TOW STRAP



CCAC0023_A

CCAC0027_A

CCAC0024_A

CCAC0028_A

CCAC0026_A

CCAC0025_A

Lunghezza: 260 mm. Diametro foro: 15,5 mm. Length: 260 mm. Hole diameter: 15,5 mm.

DOOR STRAP



Door strap to be fixed on the door panel. Length: 220 mm. Hole diameter: 9.5 mm.
CCAC0043_A

NOTEBOOK



Misura 22 x 17,5 cm
Size 22 x 17,5 cm
Z240600

CO-DRIVER POCKET



RFTINAVRS

RFTINAVBR

RFTINAVBI

RFTINAVNR

Misura 17 x 23 cm. Nomex fabric. Hook and loop fastener locking. Size 17 x 23 cm.

SUIT BAG



Leather handle

Embroidered logo

Premium quality canvas



Hanger for drying

STANDARD COLOURS/CODES

RFBS0015 • 46x34x10 cm

WEEKEND BAG



Premium quality canvas

Internal pockets

Leather handle

Shoulder belt with snap hook

Leather reinforcement

Embroidered logo

STANDARD COLOURS/CODES

RFBS0016NR • RFBS0016RS • 55x37x23 cm

NEW

K-WAY



Regular fit

Nylon ripstop
water repellent

Taped seams

STANDARD COLOURS/CODES

RSPW014BL • Sizes: XS - XXL

NEW

CO-DRIVER BAG



Co-Driver bag, very thin. Hook and loop fastener back panel for door bars universal fixation, phone compartment and external pockets.

STANDARD COLOURS/CODES

RFBS0039 • 27x36x7 cm

PININFARINA PF-1

Shoe born from the collaboration between Sabelt and Pininfarina. The union of two Italian excellences to create an exclusive and iconic product. This model is characterized by Sabelt's Racing experience and by a unique and cool design which distinguishes Pininfarina's style.



STANDARD COLOURS/CODES

RFTBR4PIN.. • Sizes: 39 - 45



Sabelt[®]



OFFICIAL SUPPLIER
SCUDERIA FERRARI

If you're looking for quality racing gear & equipment, visit our website.