



*Rush Creek*<sup>TM</sup>  
·CREATIONS·



# Rush Creek<sup>TM</sup>

·CREATIONS·



**Rush Creek Creations** thrives to offer an extraordinary selection of affordable, high-quality handcrafted wood furnishings. Rush Creek Creations offers a variety of rustic furnishings including, Game Room Seating, Fishing Rod Holders, Bow and Gun Racks. We understand consumers demands and are committed to providing unparalleled service throughout the year.



**Our wood** is hand selected using only the highest grade of pine conducive to our manufacturing process. The selected wood is air-dried for 8 to 12 months then kiln dried for another 60 days. The logs are then tested with the state-of-the-art moisture meter to ensure optimum levels. Only after this lengthy, precise process can our logs be transformed into beautiful furnishings.



**The construction** begins only after the wood has been approved for final production. We start by hand-stripping the bark of each log, skip-peeling. This process is completely done by hand with a drawknife so no two logs are alike. After each log has been crafted, the ends are fitted with quarter inch threads that require bolt fastening. Other joints are pre-assembled and fitted twice then expansion glue is applied for the tightest fit possible.



**A four-step finish** application is the standard for all Rush Creek products. Our exclusive finishing process brings out the natural beauty and detail of the wood grain. We hand sand then apply a coat of clear primer to ensure the polyurethane adheres properly. This process is completed three times. In the final stage all wood is sanded once again, we then apply a professional grade sealer.



## DUAL CLIP TECHNOLOGY™

(Patent pending)

Innovative dual clip design allows for storage of two rods back to back with a maximum rod diameter of 1.25".



## ALL-WEATHER DESIGN

High tech blow molded design is resistant to mold, algae, rust and cracking.



## FULL COLOR GRAPHICS

Laminate with decorative full color graphic prints.



## TACKLE CART

Highly functional tackle storage cart with carbon fiber weave on base and top boards.



## HIDDEN FASTENING SYSTEM

Hidden fastening system hides all screws for a clean look

(38-3007, 38-3008, 39-4000, 39-4001, 39-4003)



## 2-IN-1 COMBO RACK

Laminate with REALTREE™ pattern



#### FISHING ROD RACKS

Tech Series .....	5
Value Series .....	6
Signature Series .....	9
Infinity Series .....	11
Rustic Series .....	14

#### GUN RACKS

REALTREE™ Series .....	18
Rustic Series .....	20

#### BOW RACKS

REALTREE™ Series .....	21
Rustic Series .....	23

#### HOME ACCENTS

Rustic Series .....	24
---------------------	----

## Dual Clip Technology™

Innovative dual clip design allows for storage of two rods back to back with a maximum rod diameter of 1.25".



# Tech Series

The All-Weather rod rack with the blow molded concept is innovation as its best. It is resistant to any warping, mold, rust or cracking. This rod storage rack is great for storing in your gear in your garage or boathouse.

NEW

## 16-Rod All-Weather Rack

40-0002

- First all weather fishing rod rack in the market
- Innovative dual clip design allows for storage of two rods back to back with a maximum rod diameter of 1.25"
- 38mm diameter two-piece steel center post
- Blow molded base holds water or sand for rock solid stability
- Resistant to warping, mold, rust and cracking

Carton Size	Weight (LB)	Pack
15.04"x3.31"x15.04"	5.83(GW) / 5.06(NW)	1
21.06"x15.55"x15.75"	36.3(GW) / 30.36(NW)	6



Dual clip technology™  
(\*patent pending)



Add water or sand  
for solid stability



# Value Series

This series was designed for the recreational or seasoned angler. We offer a wide range of styles with innovative patent pending dual rod clip technology. Driven to excellence without the high cost.



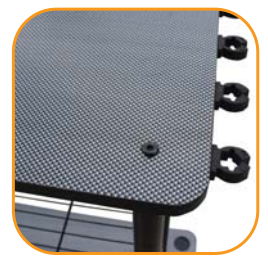
**NEW**

## 12-Rod Tackle Cart

40-0001

- Complete tackle storage cart
- Adjustable middle shelf
- Powder coated steel frame
- Smooth rolling casters
- Soft rod clips with adjustable taper

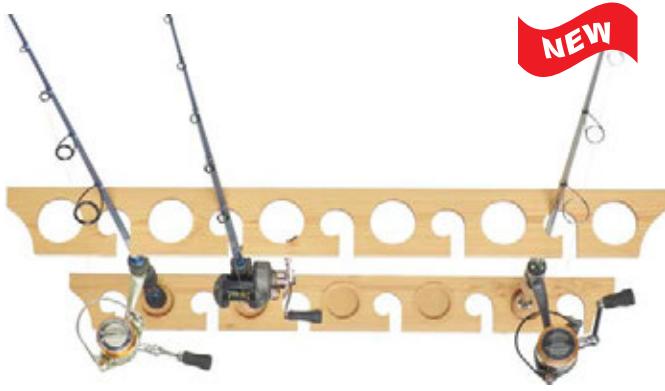
Carton Size	Weight (LB)	Pack
16.14"x3.23"x24.21"	18.3(GW) / 16.53(NW)	1
25"x7.28"x17.13"	38.58(GW) / 33.07(NW)	2



Soft rod clips



Adjustable shelf



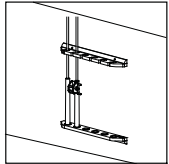
**NEW**

## 3-in-1 Rod Rack

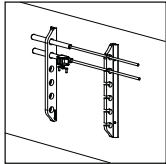
**38-3017**

- 2-piece construction allows for vertical or horizontal mounting
- Holds up to 11 rods
- 6 removable handle resting caps included
- Mounting hardware included

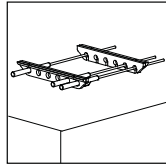
Carton Size	Weight (LB)	Pack
3"x1.42"x27.38"	1.87(GW) / 1.65(NW)	1
28.15"x6.5"x10.04"	23.59(GW) / 19.84(NW)	12



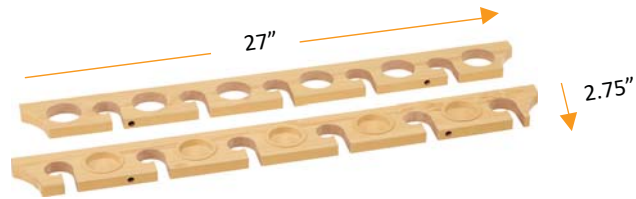
Horizontal wall mount



Vertical wall mount



Ceiling mount



Handle resting caps



## 16-Round Rod Rack

**38-0010**

- Soft rod clips with adjustable taper
- Waterproof handle guides on base plate
- Solid wood two-piece center post
- 360 degree access to all rods
- Scratch-resistant

Carton Size	Weight (LB)	Pack
13.58"x2.83"x13.58"	4.62(GW) / 4.18(NW)	1
17.91"x14.25"x14.49"	29.04(GW) / 25.08(NW)	6



Adjustable soft rod clips



Waterproof handle guides

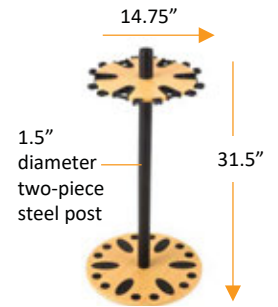


## 24-Round Spinning Rod Rack

38-2001

- Innovative dual clip design allows for storage of two rods back to back with a maximum rod diameter of 1.25"—great for musky or salt water rods
- 1.5" diameter two-piece steel post adds extra stability
- Ultra glide swivel system on base plate allows for smooth 360 degree rotation
- Padded handle guides on base plate

Carton Size	Weight (LB)	Pack
14.96"x3.86"x14.96"	9.59(GW) / 8.82(NW)	1
16.54"x15.55"x15.75"	39.68(GW) / 38.36(NW)	4



Dual clip technology™  
(\*patent pending)



Ultra glide swivel base

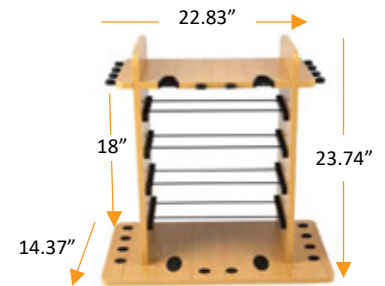


## 14-Rod Storage Rack

38-2002

- Complete rod rack storage system
- Innovative dual clip design allows for storage of two rods back to back with a maximum rod diameter of 1.25"—great for musky or salt water rods
- Wire racking system can accommodate four 3600/3700 utility boxes (not included)
- Soft rod clips with adjustable taper
- Padded handle guides on base plate
- Easy assembly

Carton Size	Weight (LB)	Pack
15.16"x4.61"x23.54"	20.72(GW) / 18.96(NW)	1
24.41"x9.65"x15.94"	43.21(GW) / 37.92(NW)	2



Dual clip technology™  
(\*patent pending)



Removable wire shelves





# Signature Series Rod Racks

Functional just got FUN! We have incorporated brilliant color graphics exclusive to Rush Creek. From a bass breaching water to the old barn wood motif. These rod racks are not only well-designed but visually appealing.

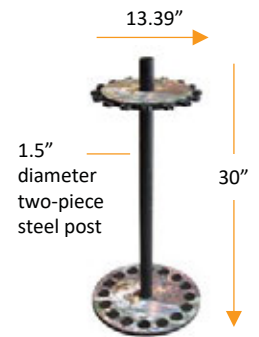


## 16-Round Rod Rack

38-3000

- Decorative full color graphic of a bass breaching the water enhances the beauty of this rod rack
- 1.5" diameter two-piece steel post
- Soft rod clips with adjustable taper
- Waterproof handle guides on base plate
- No tools required for assembly

Carton Size	Weight (LB)	Pack
13.58"x2.95"x13.58"	6.05(GW) / 5.54(NW)	1
18.5"x14.25"x14.49"	37.84(GW) / 33.26(NW)	6



Full color graphic

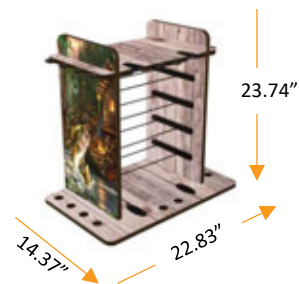


## 14-Rod Storage Rack

38-3009

- Enhanced colored graphics
- Innovative dual clip design allows for storage of two rods back to back with a maximum rod diameter of 1.25"—great for musky or salt water rods
- Wire racking system can accommodate four 3600/3700 utility boxes (not included)
- Padded handle guides on base plate
- Easy assembly

Carton Size	Weight (LB)	Pack
15.16"x4.61"x23.54"	20.72(GW) / 18.96(NW)	1
25"x10.83"x16.34"	44.97(GW) / 37.92(NW)	2



Dual clip technology™  
(\*patent pending)



Full color graphics

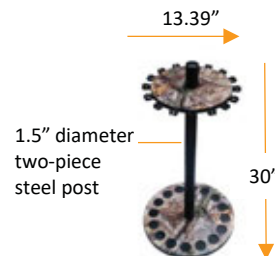


## 16-Rod Round Rack

39-7009

- Full color Realtree™ camo pattern sets this rod rack apart from all others
- 1.5" diameter two-piece steel pedestal adds to durability of this rod rack
- Soft rod clips with adjustable taper
- Waterproof handle guides on base plate

Carton Size	Weight (LB)	Pack
13.58"x2.95"x13.58"	6.05(GW) / 5.54(NW)	1
18.50"x14.25"x14.49"	37.84(GW) / 33.26(NW)	6



REALTREE™ camo pattern





# Infinity Series Rod Racks

Duly named the Infinity Series, these are made from multiple layers of wood to create the most durable rod rack in the market. From the Dual Rod Clip Technology to the marine grade varnish, this collection of rod racks are available in a variety of designs in both light and dark stains.



38-3001



38-3002



## 24-Rod Round Rack

- 38-3001**  
(Light)
- 38-3002**  
(Dark)

- Innovative dual clip design allows for storage of two rods back to back with a maximum rod diameter of 1.25" — great for musky or salt water rods
- Heavy duty 1.25" weighted base plate add stability
- 1.5" diameter solid wood post
- Marine grade varnish is used to seal coat and make water resistant
- Padded handle guides on base plate
- Available in light and dark

Carton Size	Weight (LB)	Pack
16.54"x3.15"x16.14"	6.60(GW) / 5.72(NW)	1
17.32"x16.54"x13.39"	28.60(GW) / 22.88(NW)	4



Dual clip technology™  
(\*patent pending)



Extra heavy base



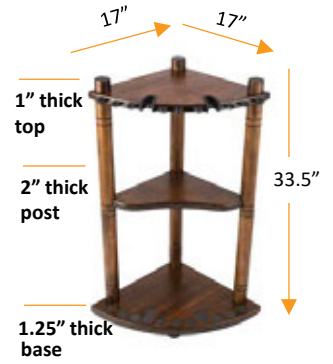
## 13-Rod Corner Rack

**38-3003**  
(Light)

**38-3004**  
(Dark)

- Innovative dual clip design allows for storage of two rods back to back with a maximum rod diameter of 1.25"—great for musky or salt water rods
- Heavy duty 1.25" weighted base plate add stability
- 2" diameter solid wood posts
- Adjustable 1" solid wood shelf
- Marine grade water resistant varnish
- Padded handle guides on base plate
- Great space saving design
- Available in light and dark

Carton Size	Weight (LB)	Pack
18.31"x6.30"x17.72"	15.84(GW) / 15.4(NW)	1
20.28"x19.11"x21.45"	55(GW) / 46.20(NW)	3



Dual clip technology™  
(\*patent pending)



Adjustable storage shelf



## 30-Rod Spinning Rack

**38-3005**  
(Light)

**38-3006**  
(Dark)

- Innovative dual clip design allows for storage of two rods back to back with a maximum rod diameter of 1.25"—great for musky or salt water rods
- Heavy duty 3" thick weighted base adds stability
- 2.5" diameter solid wood post
- Ultra glide swivel system on base plate allows for smooth 360 degree rotation
- Marine grade varnish is used to seal coat and make water resistant
- Padded handle guides on base plate
- Available in light and dark

Carton Size	Weight (LB)	Pack
27.17"x4.33"x20.87"	18.52(GW) / 17.20(NW)	1
27.95"x21.65"x9.45"	40.58(GW) / 34.39(NW)	2

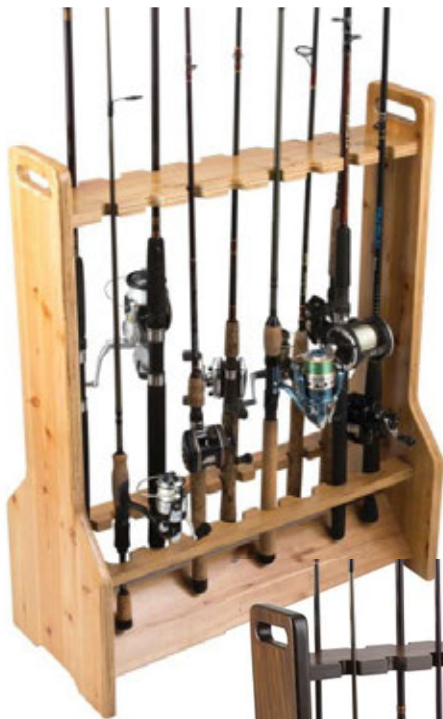


Dual clip technology™  
(\*patent pending)



Ultra glide swivel system





38-3007



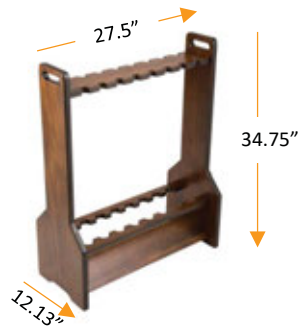
38-3008

## 16-Rod Double Sided Rack

- 38-3007**  
 (Light)
- 38-3008**  
 (Dark)

- Multi-layers of plywood are used to construct this double sided rod rack
- Extra wide one-piece heavy duty side panels
- Angled handle rests makes it easy to access the rods
- Built-in handles
- Marine grade varnish is used to seal coat and make water resistant
- Hidden fastening system hides all screws for a clean look
- Easy to assemble
- Available in light and dark stains

Carton Size	Weight (LB)	Pack
35.43"x4.33"x12.60"	19.8(GW) / 18.48(NW)	1
37.01"x13.78"x16.14"	67.24(GW) / 55.56(NW)	3

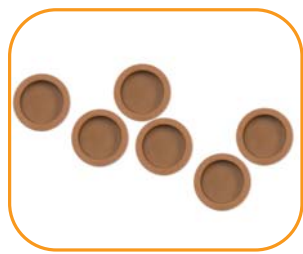
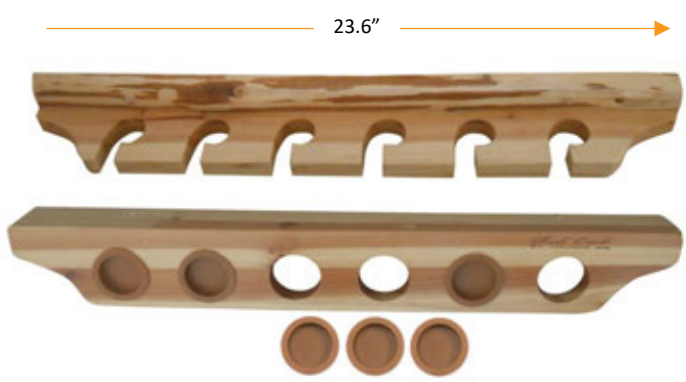


Hidden fastening system



# Rustic Series Rod Racks

True to the name the rustic series rod racks are kiln dried then made by hand with a skip-peel finish. The polyurethane coating not only adds luster but makes them scratch resistant. An old-style country look at its best.

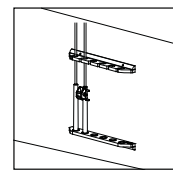


## 6-Rod Ceiling/Wall Mounted Rack

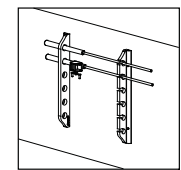
37-0019

- Handcrafted from solid pine with skip peel finish
- Rich polyurethane finish enhances the natural beauty while resisting scratching
- Two-piece construction allows for vertical or horizontal mounting on ceiling or wall
- Six removable rod handle caps included
- Deep groove cuts for easy access
- Mounting hardware included
- Easy to assemble

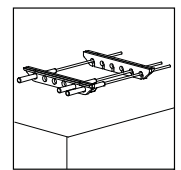
Carton Size	Weight (LB)	Pack
23.82"x2.95"x3.35"	1.76(GW) / 1.54(NW)	1
24.61"x7.48"x10.43"	14.11(GW) / 9.26(NW)	6



Horizontal wall mount



Vertical wall mount



Ceiling mount



## 6-Rod Vertical & Horizontal Rack

37-0020

- Handcrafted from solid pine with skip peel finish
- Rich polyurethane finish enhances the natural beauty while resists scratching
- Four-piece construction allows for vertical or horizontal mounting
- Six removable rod handle caps included
- Deep groove cuts for easy access
- Foam padding is used on each side of rack which allows you to place your favorite lures
- Mounting hardware included
- Easy to assemble

Carton Size	Weight (LB)	Pack
26.77"x8.27"x2.76"	4.85(GW) / 4.41(NW)	1
28.35"x9.45"x19.69"	34.18(GW) / 26.46(NW)	6



## 8-Rod Round Rack

37-0067

- Handcrafted from solid pine with skip peel finish
- Rich polyurethane finish enhances the natural beauty while resisting scratching
- 2" diameter solid pine post
- 8 Soft rod clips with adjustable taper
- Padded handle guides on base plate
- Extra wide rod spacing to comfortably fit rods with large reels
- 360 degree access to all rods
- Elongated mounting pedestal screw for added strength

Carton Size	Weight (LB)	Pack
26.38"x16.93"x2.76"	6.61(GW) / 6.17(NW)	1
27.17"x17.52"x9.06"	22.05(GW) / 19.85(NW)	3



Extra wide rod spacing



## 12-Rod Corner Rack

37-0029

- Handcrafted from solid pine with skip peel finish
- Rich polyurethane finish enhances the natural beauty while resists scratching
- Three solid pine posts adds to the overall stability
- Soft rod clips with adjustable taper
- Padded handle guides on base plate

Carton Size	Weight (LB)	Pack
26.38"x16.54"x2.76"	8.82(GW) / 7.94(NW)	1
27.17"x17.32"x13.39"	37.04(GW) / 31.75(NW)	4



## 16-Rod Rolling Rack

37-0026

- Handcrafted from solid pine with skip peel finish
- Rich polyurethane finish resists scratching
- Double sided rod rack holder seats sixteen rods
- Angled slot design so rods remain vertical
- Solid pine 12" wide one-piece side panels add to the stability of this rack
- Smooth rolling casters with locking mechanism
- Hand sanded for ultra smooth finish
- Rich polyurethane finish enhances natural wood grain while resists scratching
- Easy to assemble

Carton Size	Weight (LB)	Pack
35.43"x12.6"x4.72"	17.64(GW) / 16.32(NW)	1
37.40"x13.98"x16.93"	62.84(GW) / 48.95(NW)	3







## 30-Rod Spinning Round Rack

37-0030

- Handcrafted from solid pine with skip peel finish
- Rich polyurethane finish enhances the natural beauty while resists scratching
- Ultra glide swivel design makes for smooth easy 360 degree rotation
- 3" diameter solid pine pedestal locks base into 1/2" solid wood top
- Holds thirty rods securely
- Soft rod clips with adjustable taper
- Elongated mounting pedestal for added strength
- No tools required for assembly

Carton Size	Weight (LB)	Pack
26.77"x21.26"x4.13"	16.75(GW) / 14.99(NW)	1
28.74"x22.44"x10.24"	38.81(GW) / 34.84(NW)	2



1/2" thick solid wood top



Ultra glide swivel system



## 4-Gun, 8-rod Combo Rack

37-0113

- Handcrafted from solid pine with skip peel finish
- Rich polyurethane finish enhances the natural beauty while resists scratching
- Felt line barrel rests hold 4 guns
- Eight soft rod clips on sides of rack with adjustable taper
- Solid pine one-piece side panels
- All hardware is included on this easy to assemble combo rack

Carton Size	Weight (LB)	Pack
36.02"x10.63"x4.72"	15.44(GW) / 14.55(NW)	1
36.61"x11.22"x20.08"	61.08(GW) / 58.21(NW)	4



Padded barrel rests



# REALTREE Series Gun Racks

From the arctop wall mounted gun rack to the freestanding floor model Rush Creek captures the essence of the #1 brand in hunting accessories - REALTREE™.



## 4-Gun Wall Rack

39-4000

- Constructed from solid New Zealand Pine
- Storage shelf can hold extra gun accessories
- Deep groove gun rests
- Arch top design with REALTREE™ logo
- Durable finish treatment adds to the overall beauty
- Mounting hardware is included
- Hidden fastening system hides all screws for a clean look
- Easy to assemble

Carton Size	Weight (LB)	Pack
27.95"x5.51"x4.13"	5.28(GW) / 4.4(NW)	1
29.53"x12.60"x14.17"	36.60(GW) / 26.46(NW)	6



Hidden fastening system



## 4-Gun Wall Rack

39-4004

- Full color Realtree™ camo pattern
- Durable wood laminate
- Storage shelf can hold extra gun accessories
- Deep groove padded gun rests
- Mounting hardware is included
- Easy to assemble

Carton Size	Weight (LB)	Pack
19.88"x2.09"x21.85"	10.45(GW) / 9.24(NW)	1
22.83"x10.04"x20.63"	43.12(GW) / 36.96(NW)	4



Realtree™ camo background design

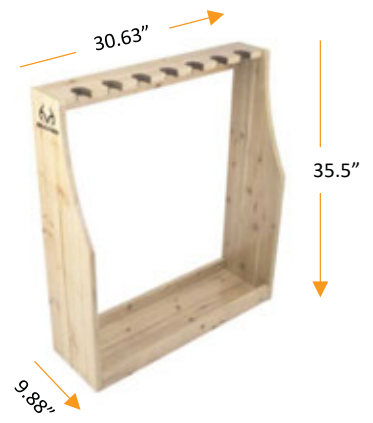


## 7-Gun Floor Rack

39-4001

- Constructed from solid New Zealand Pine
- Durable finish adds to the overall beauty
- Seven deep groove channels are designed to have gun barrels rest at the perfect angle
- The base deck has crossbars in the front and back for added stability
- Hidden fastening system hides all screws for a clean look
- A must have for any shooting sportsman

Carton Size	Weight (LB)	Pack
35.83"x12.2"x5.51"	17.6(GW) / 16.72(NW)	1
37.80"x13.78"x18.70"	59.52(GW) / 50.27(NW)	3



Hidden fastening system



## 10-gun Folding Rack

37-0119

- Unique folding design gun rack
- MDF construction with natural quality laminate
- Wide 3.5" side and top apron
- Folds up easily for easy transportation
- Rubber base gun butts rests
- Scratch free finish
- Weather resistant
- Great space saving device
- All hardware is included in this easy to assemble gun rack

Carton Size	Weight (LB)	Pack
32.25"x7.50"x4.50"	15.18(GW) / 14.04(NW)	1
33.25"x15.50"x10.00"	62.48(GW) / 60.72(NW)	4



3-step easy fold up design

# Rustic Series Gun Racks

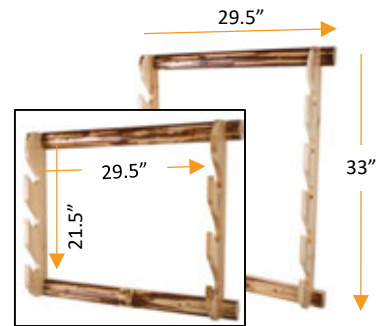
Things get better with age as does the Rustic Series Gun Racks. These solid pine racks are made from only the finest quality pine then crafted into wall mounted or freestanding gun racks. Great addition to any home or cabin.



37-0036

## Gun Wall Rack

- Handcrafted from solid pine with skip peel finish
- Rich polyurethane finish enhances the natural beauty while resists scratching
- Four-piece construction
- Deep groove gun rests
- Mounting hardware is included



37-0099  
(3-Gun)



37-0099

37-0036  
(5-Gun)

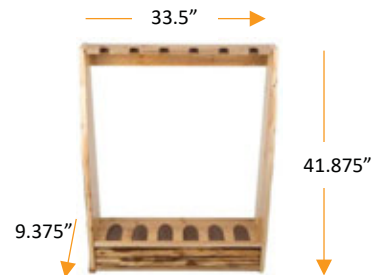
Carton Size	Weight (LB)	Pack
33.47"x7.28"x2.76"	4.84(GW) / 4.41(NW)	1
33.86"x7.87"x17.13"	31.97(GW) / 26.46(NW)	6

Carton Size	Weight (LB)	Pack
30.31"x7.28"x2.76"	3.97(GW) / 3.31(NW)	1
31.20"x8.00"x17.40"	26.40(GW) / 23.76(NW)	6

## 6-Gun Rack With Storage

37-0037

- Handcrafted from solid pine with skip peel finish
- Rich polyurethane finish enhances the natural beauty while resists scratching
- Large storage base feature stores ammo, gun oil and other accessories
- Deep groove padded gun rests
- Gun butts sit softly on foam base
- All hardware is included



Carton Size	Weight (LB)	Pack
42.52"x11.02"x6.1"	28.22(GW) / 26.9(NW)	1
44.49"x11.81"x14.17"	61.74(GW) / 53.80(NW)	2





# REALTREE™ Series Bow Racks

A wide range of compound and crossbow racks any outdoorsman would be proud to hang his gear on. Beautifully crafted from solid pine in a variety of cutting edge and traditional wall designs.



**NEW**

## 2-in-1 Combo Bow Rack

39-4008

- Full color Realtree™ camo pattern
- Heavy duty adjustable metal pegs holds bows securely in place
- Accommodates 2 quivers or compound bows and one crossbow
- Extra interior bracing
- Mounting hardware is included
- Easy to assemble

Carton Size	Weight (LB)	Pack
32.68"x11.81"x2.56"	9.70(GW) / 8.38(NW)	1
33.27"x11.02"x12.40"	40.48(GW) / 33.51(NW)	4





## 10-Arrow Cross Bow Rack

39-4002

- Constructed from solid New Zealand Pine
- Heavy duty wood pegs holds crossbow securely in place
- Durable finish treatment adds to the overall beauty
- Mounting hardware is included
- Easy to assemble

Carton Size	Weight (LB)	Pack
30.71"x8.27"x1.18"	2.64(GW) / 2.2(NW)	1
31.50"x18.11"x6.89"	26.90(GW) / 17.64(NW)	8

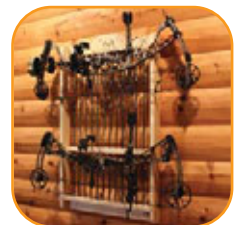


## 2-Bow 12-Arrow Wall Rack

39-4003

- Constructed from solid New Zealand Pine
- Heavy duty wood pegs holds bow securely in place
- Durable finish treatment adds to the overall beauty
- Adjustable pegs
- Mounting hardware is included
- Easy to assemble

Carton Size	Weight (LB)	Pack
37.01"x4.53"x5.12"	6.38(GW) / 5.72(NW)	1
38.19"x10.63"x17.32"	47.18(GW) / 34.39(NW)	6





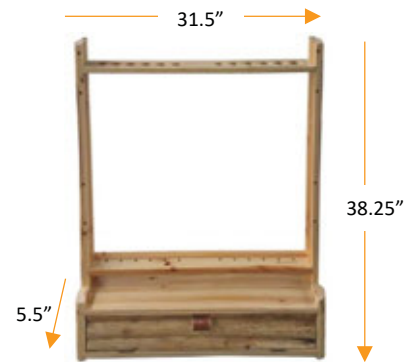
# Rustic Series Bow Racks

From the triangular wall mounted bow rack to the traditional model with storage, you cannot miss the target with the rustic bow racks from Rush Creek

## 2-Bow, 12 Arrows Bow Rack With Storage

37-0039

- Handcrafted from solid pine with skip peel finish
- Rich polyurethane finish enhances the natural beauty while resists scratching
- Two bows rest securely on extra long adjustable pegs
- Extra wide storage capacity for all accessories
- All mounting hardware is included

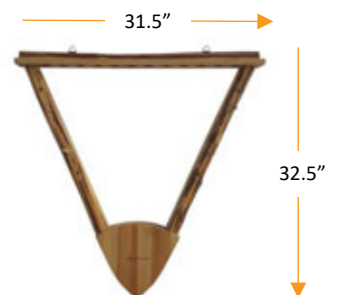


Carton Size	Weight (LB)	Pack
38.98"x10.43"x4.72"	12.32(GW) / 11.44(NW)	1
40.55"x11.42"x17.32"	45.20(GW) / 34.40(NW)	3

## 2-Bow, 12 Arrows Wall Rack

37-0038

- Handcrafted from solid pine with skip peel finish
- Rich polyurethane finish enhances the natural beauty while resists scratching
- Two bows sit comfortably on extra long adjustable pegs
- Mounting hardware is included



Carton Size	Weight (LB)	Pack
31.89"x10.24"x3.54"	4.85(GW) / 4.41(NW)	1
32.48"x11.02"x11.22"	15.87(GW) / 14.33(NW)	3



Checking is the natural drying process that creates splits in the wood for that true rustic look.



# Rustic Series Home Accents

Add warmth to your home or cabin by adding any accent furnishing from Rush Creek. From barstools, pub chairs, high-top bar table, to the 8 player poker table the rustic look does not get any better than this.

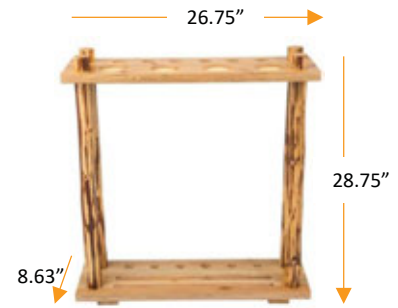


## 6-Cue Floor Rack

37-0014

- Handcrafted from solid pine with skip peel finish
- Rich polyurethane finish enhances the natural beauty while resists scratching
- Stores up to 6 cues
- 4 insert drink holders
- Double sided solid wood posts for extra support and strength
- Grooved bottom slot holds full set of billiard balls
- Great piece for any game room

Carton Size	Weight (LB)	Pack
26.97"x8.86"x4.72"	11.9(GW) / 11.02(NW)	1
28.74"x10.04"x21.65"	53.80(GW) / 44.10(NW)	4







## Fixed Stool

37-0010

- Handcrafted from solid pine with skip peel finish
- Rich polyurethane coating enhances wood grain while resists scratching
- Extra long leg structure makes for comfortable seating at any counter or bar
- Cross braces for added strength
- Hand sanded for ultra smooth finish
- Perfect for any setting
- Stools complement our Pub Table (37-0120)

Carton Size	Weight (LB)	Pack
29.92"x17.32"x7.48"	19.85(GW) / 17.2(NW)	1



## Swivel Stool

37-0004

- Handcrafted from solid pine with skip peel finish
- Rich polyurethane coating enhances natural wood grain while resists scratching
- Ultra glide swivel system on top allows for smooth 360 degree rotation
- Extra long leg structure makes for comfortable seating at any counter top
- Cross braces for added strength
- Hand sanded for ultra smooth finish
- Stools complement our Pub Table (37-0120)

Carton Size	Weight (LB)	Pack
29.13"x17.32"x9.06"	22.71(GW) / 21.17(NW)	1



Ultra glide swivel system



## Pub Chair

37-0003

- Handcrafted from solid pine with skip peel finish
- Rich polyurethane coating enrich the natural wood grain while resists scratching
- Angled back design makes for comfortable seating
- Front cross brace makes for great foot rest
- Dense wood leg structure adds to the durability
- Side and rear cross bracing for added strength
- Hand sanded for ultra smooth finish
- Chairs goes well with pub table (37-0120)



Carton Size	Weight (LB)	Pack
48.43"x22.24"x8.27"	29.99(GW) / 24.25(NW)	1



Comfortable slat back design



## Dining Chair

37-0116

- Handcrafted from solid pine with skip peel finish
- Rich polyurethane coating heightens wood grain while resists scratching
- Extra wide seating capacity
- Slant back design makes for comfortable seating
- Unique leg design adds to stability of chair
- Hand sanded for ultra smooth finish
- Compliments and dining or game room
- Virtually maintenance free



Carton Size	Weight (LB)	Pack
39.76"x23.62"x6.3"	26.9(GW) / 21.61(NW)	1



Comfortable slat back design



## Pub Table

37-0120

- Handcrafted from solid pine with skip peel finish
- Rich polyurethane coating enhances natural wood grain resists scratching
- Extra thick 6.5" solid wood pedestal base
- Large 30" table top base with scalloped edging
- Angled leg braces for added strength and support
- Hand sanded for ultra smooth finish
- Great for any area of the home
- This table goes well with any of these chairs and stools: 37-0010, 37-0003, 37-0004

Carton Size	Weight (LB)	Pack
38.19"x38.19"x7.09"	48.4(GW) / 45.32(NW)	1



## 8-Player Octagon Poker Table

37-0005

- Handcrafted from solid pine with skip peel finish
- Rich polyurethane coating enhances natural wood grain resists scratching
- Play surface is 49" in circumference and 4.5" deep
- Plush padded velvet makes for a great playing surface
- Slots are grooved into the wood top for betting chips and drink holders
- Sturdy 4" solid structure with eight additional vertical and four horizontal supports for added strength.
- Hand sanded for ultra smooth finish
- Great piece for any game room for hours of fun and enjoyment
- This table goes well with dining chair (37-0116)

Carton Size	Weight (LB)	Pack
51.97"x51.97"x10.63"	95.92(GW) / 81.59(NW)	1





# Rush Creek<sup>TM</sup>

CREATIONS



Discover other boat parts and hardware on our website.