

1/10th 4WD Electric Power R/C Off-Road Truck

Specifications:

LENGTH	WIDTH	HEIGHT	WHEEL BASE	DRIVE SYSTEM	GROUND CLEARANCE	DIAMETER OF WHEEL	WIDTH OF WHEEL	GEAR RATIO	SERVO
400mm	300mm	160mm	275mm	4WD Shaft Drive	32mm	118mm	52mm	1:10.3	3Kg

Styles	Motor	KV (Brushless Motor)	Motor RPM range	Battery Specification	ESC Specification	ESC Temperature protection	Under Voltage Protection	Gear Ratio	Speed
Brush Version	Re540		2000rpm	NiMH-7.2V-1800mAh	Continue Forward150A/Continue outward100A			1/10.3	28KM
Brushless Version	3650 (RC540)	3300KV	23760rpm 24420rpm	NiMH-7.2V-2000mAh LiPO-7.4V-3600mAh 25C	Brushless 75A	98(+/-3-5 centigrade)	below 5V1A	1/8.9	40KM 48KM
TOP-Brushless Edition	3650 (RC540)	2724KV	22882rpm 30236rpm	NiMH-8.4V-3000mAh LiPO-11.1V-3600mAh 25C	Brushless 80A w/Fan	98(+/-3-5 centigrade)	below 7.2V1A	1/8.9	60KM

Styles	GENERAL GEAR			PRO1.GEAR			PRO2.GEAR(Metal)		
	Diff.Main Gear	Motor Gear	Gear Ratio	Diff.Main Gear	Motor Gear	Gear Ratio	Diff.Main Gear	Motor Gear	Gear Ratio
Brush Version	#11164-64T	#11119-17T	1:10.3	#11188-48T	#11183-13T	1:10.79	#11184-64T	#11181-21T	1:8.9
Brushless Version				#11188-48T	#11185-15T	1:9.35	#11184-64T	#11181-21T	1:8.9

Spare Part

08005- Front Lower Suspension Arm	08006- Rear Lower Suspension Arm	02014-Steering Hubs (L/R)	02015-Front Hub Carrier(L/R)	02013-Rear Upright+Set Screws
02033-Wheel Axle	02016-Universal Joint Cup B+ Grub Screw	02032-Universal Joint Cup C	02021-Rear Suspension Arm Holder	02022-Front Suspension Arm Holder
08002- Front Bumper	08003-Rear Bumper	08012- Fron/Rear Shock Tower	08001-Shock Absorber	28446-Motor (Re550) 03011-Motor (Re540) (Optional)

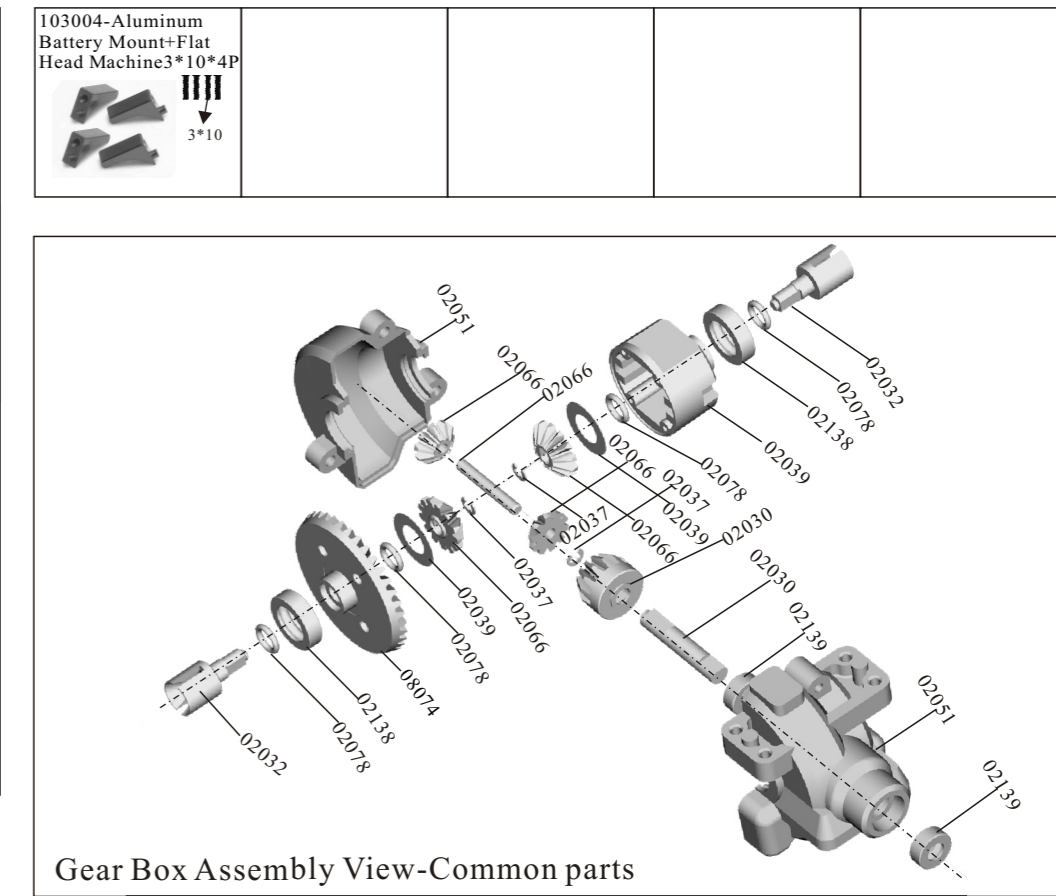
Spare Part

02500-Motor Line	03007-Motor Mount	03601-Chassis	03990-Radio Tray	03013-Radio Tray Holder
03610-Battery Cover	03014-Battery Pack (7.2V 1800mAh)	04004-Battery Corner Holder	03009-Battery Cover post	02074-Steering Joint
02025E-Steering Assembly A	02075-Steering Assembly B	03401-Gear Shelter	03300-Motor Heat Proof Cover	11164-Diff.Main Gear (64T)
11119-Motor Gear (17T)	08074-Crown Gear (38T) (Copper infiltration)	02030-Drive Gear	02024-Diff.Gear Complete	03015-Drive Shaft+E-Clip
02066-Diff.Pinions+pin	02039-Differential Box (With 2 Rings&Steel Washers)	02051-Gear Box	10391-Servo Link	08042-Front/Rear Link
02372-Servo Arm	03008- Switch Cover	2530-Power Commutator	08032-Bumper Spring	08028- Bump Post
08007- Body Post	08059- Front/Rear Dogbone 89.5mm	08027- Pin 2*10	08019- Rear Lower Arm Pin B 3*30mm	08020- Front Lower Arm Pin B 3*33mm
02036-Front Lower Arm Pins A φ3*44mm	02063-Rear Lower Arm Pin A φ 3*54mm	04003-Centre Dogbone	02057-Antenna Pipe	03006-Antenna Mount

Upgradable Optionals

108822-Aluminum Shock Tower+Cap Head Machine Screw 3*12 2P	108837-Aluminum Body Post	108004-Aluminum Shock Absorber	102240-Aluminum Ackerman Plate	102260-Aluminum Front Gear Box Mount
102261-Aluminum Rear Gear Box Mount	102227-Suspension Arm Brace(AL.)	103371-Motor Brace (AL.)+Flat Head Machine Screw 3*8*4P/ Cap Head Machine Screw 3*8*2P	107001-Carbon Fibre Chassis	107002-Carbon Fibre Radio Tray
03204-LiPO Battery 7.4V 3600mAh 25CC	28434-LiPO Battery 11.1V 3600mAh 25CC	28347-Charger	108835-Aluminum Front Brace+Cap Head Machine Screws 3*8mm *6P	108836-Aluminum Rear Brace+Cap Head Machine Screws 3*8mm *4P/3*10mm*2P
103006-Antenna Mounts (AL.)+Flat Head Machine Screw 3*10*1P/Cap Head Machine Screw 3*10*2P	103009-Aluminum Battery Posts+Flat Head Machine3*10*2P	102257-Aluminum Steering Servo Saver Set	103310-Carbon Fibre Battery Cover	103013-Servo Mount(AL.)+Flat Head Machine Screw 3*8*2P+Cap Head Machine Screw3*8*4P

Upgradable Optionals



Gear Box Assembly View-Common parts

Spare Part

02017-Suspension Reinforcement Brace	08008N-Wheel Rim	08009N-Tyre+Insert Sponge	08010N-Wheel Complete	02053-R- Clip
02101- Steering Bushing	02103- Zip Tie	02100- Wheel Hex.	02501-Washer 8*5.2*0.5	02037-E-Clip (φ7.04φ2.5φ 2.3)
02139-Ball Bearing φ10*φ5*4	02138-Ball Bearing φ15*φ10*4	02078-O-Ring	02079-Oil Bearing φ15*φ10*4	02080-Oil Bearing φ5*φ10*4
06007-Shock Ball Head	02055-M4 Nylon Nut	02102- M3 Nylon Lock Nut	08021- Shock Ball Head Holder 1	08072- Shock Ball Head Holder 2
06023-Shock Ball Mount B	02038-Ball Head Screw	02099- Grub Screw M4*4	02098- Grub Screw M3*4	02127-M3*14 Grub Hex. Screw 10P
02087-Countersunk Cross Head Self-Tapping Screw 3*10 15P	02088-Countersunk Cross Head Self-Tapping Screw 3*14 13P	02089-Countersunk Cross Head Self-Tapping Screw 3*15 9P	02180-Flat Head Self-Tapping Screw 3*16 10P	02092-ISO 3*10 Screw 8P
81220-5-Flat Head Machine Screw 3*14 4P	02095-M3*8 Column Head Machine Screw 4P	02093-M3*10 Column Head Machine Screw 10P	02086-Round Head Self-Tapping Screw 2*10 10P	01083-Round Head Machine Screw 3*11 6P
02085-Round Head Self-Tapping Screw 2*8	02194-Round Head Self-Tapping Screw 2.6*12 4P	02083-Cap Head Self-Tapping Screw 3*12 6P	02081-Cap Head Self-Tapping Screw 3*8 6P	02082-Cap Head Self-Tapping Screw 3*10 10P

Spare Part

02181-Cap Head Self-Tapping Screw 3*15 10P	02096-3*10 Cap Head Machine Screw 6P	02097-Cap Head Machine Screw 3*14 6P	08024- Discal Screw M3*11 8P
--	--------------------------------------	--------------------------------------	------------------------------

Pro. Spare Parts				
108004-Aluminum Shock Absorber	03302-Brushless Motor KV:3300	08008NPL(Gold) 08008NPM(Blue) Chrome Plated Spoke Rim With Sprayed	102048-Aluminum Nut M3	102049-Aluminum Nut M4
03200-Battery Ni-MH (7.2V 2000mAh)	11188-Diff.Main Gear (48T)	11185-Motor Gear (15T) 11181-Motor Gear Metal (21T) Optional	11200-Motor Gear Metal (19T)	

Top Version Spare Parts

03404-Brushless Motor KV:2724	30324-Battery Ni-MH 8.4V 3000mAh	11184-Diff. Main Gear (64T) Metal	11181-Motor Gear Metal (21T)
-------------------------------	----------------------------------	-----------------------------------	------------------------------

Upgradable Optionals

102210-Aluminum Front Hub Carrier(L/R)+Flat Head Mechanical Screws 3*15mm*2P	102211-Steering Hub (L/R)(AL.)+Cap Head Mechanical Screws 3*12*2P/3*11mm*2P	102212-Aluminum Rear Hub Carrier(L/R)+Flat Head Mechanical Screws 3*15mm*2P+M4*4 Grub Hex. Screw 2P	102042-Aluminum Wheel Hex. Mount	102048-Aluminum Nut M3
102049-Aluminum Nut M4	106617-Front/Rear & Servo Link(AL.)+Flat Head Mechanical Screws 3*14mm*4P+Nut M3*4P	108015-Universal Drive Joint	108819-Front Lower Arm (AL.)+Flat Head Machine Screw 3*10 *4P	108821-Rear Lower Arm (AL.)+Flat Head Machine Screw 3*10 *4P

Off-Road Truck Full Assembly View

