



FAST • AFFORDABLE • FUN

**BLACKOUT XBE**



# 1/10 SCALE BUGGY

USER MANUAL

[RC CARS & TRUCKS](#)

# WELCOME TO HOBBY GRADE R/C VEHICLES

Recommended for ages 14+ (with adult supervision)

Congratulations on your new hobby grade radio control vehicle. Hobby grade RCs offer many advantages over radio controlled vehicles sold in the toy department. One of the greatest advantages of hobby grade RC vehicles is the ability to set up the vehicle the way YOU want it. This includes changing gear ratios to better suit your terrain, tuning the many adjustable suspension components like ride height and geometry, as well as customizing the overall appearance of your vehicle. Redcat Racing hobby grade RC vehicles were designed with all these characteristics in mind to provide you with much fun and adjustability.

Redcat hobby grade RC vehicles are incredibly fast! While going fast is fun and exciting, it also comes with a great deal of responsibility. An RC vehicle traveling at full speed carries much momentum. Getting hit in the leg at high speeds hurts and serious injury may occur. Property damage as well as damage to your RC vehicle are also possible. Great care must be used while operating these vehicles.

Redcat radio controlled vehicles are engineered for performance as well as durability. This means shedding weight where ever possible and using complex suspension components that offer many tuning options. This allows the operator to make adjustments that will effect the way the vehicle responds to all aspects of the terrain. As you may know, any RC vehicle, whether it be hobby or toy grade, can break. How and when it breaks depends solely on your driving style. Unlike toy grade RCs, hobby grade RCs are designed with parts replacement in mind. Spare parts are readily available from Redcat and more durable aluminum parts are available as well. It is recommended to keep spare parts on hand so if you run into that oak tree at full speed, you will have the necessary replacement parts to get you up and running again quickly.

Appearance is just as important as speed and handling. Who wants to go fast and look good doing it? You do! That is why Redcat has also designed their vehicles to look as good as they perform. Accessories may also be added to your vehicle to customize its looks. As mentioned earlier, Redcat hobby grade RC vehicles are completely customizable and that is where all the fun is at.

Imagine yourself being on the pit crew of a full scale race team. Making suspension adjustments for better handling or changing the gearing to get that hole-shot from the start. That is the feeling you will get when adjusting the suspension on your new Redcat. Increase ride height so you can clear the driveway with a single jump or thicken the oil inside the oil filled shocks to make high speed laps around your front yard. The possibilities are endless with Redcat, so put on you favorite pit crew cap, grab your Redcat and have the time of your life!



## WARNING

This is not a toy and should not be treated as one. Electric motors are very powerful and need to be used only as directed. Follow the included instructions closely and be sure to keep hands away from the hot surfaces of the motor and ESC. Make sure you read all manuals, including the online manual, completely before attempting to run your RC vehicle or charge the battery pack.

The batteries in this RC vehicle are potentially dangerous. Follow all charging and operating instructions found in this manual as well as the ESC manual. If improperly used, property damage, product damage, and potential injury to the operator may occur.

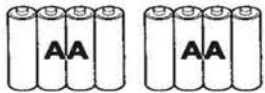
## Features:

- RC550 Brushed Electric Motor
- Waterproof Brushed ESC
- Forward & Reverse
- 4 Wheel Drive
- Oil Filled Shocks
- 7.2v 3000mAh NiMH Battery
- NiMH Battery Charger
- 2.4GHz Radio System
- Waterproof Steering Servo

## Specifications:

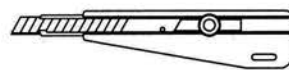
- Scale: 1/10
- Length: 427mm
- Width: 280mm
- Height: 160mm
- Wheelbase: 290mm
- Clearance: 44mm
- Motor: Brushed
- ESC: Brushed
- Battery: 7.2v 3000mAh

## Required equipment for operation



8pcs. AA batteries  
for transmitter

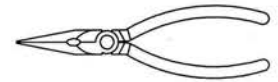
### Tools required for maintenance:



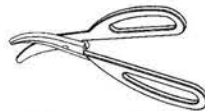
• Hobby knife



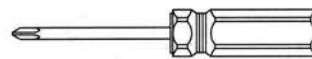
• Precision ruler



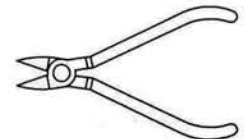
• Needle nose pliers



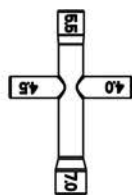
• Lexan scissors



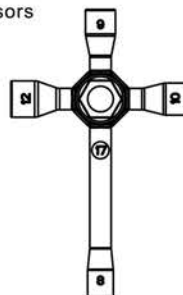
• Flat and Philips screwdriver



• Wire cutters



• Cross wrench



• Cross wrench



• CA glue&rubber cement



• Thread locking compound



1.5mm



2.0mm

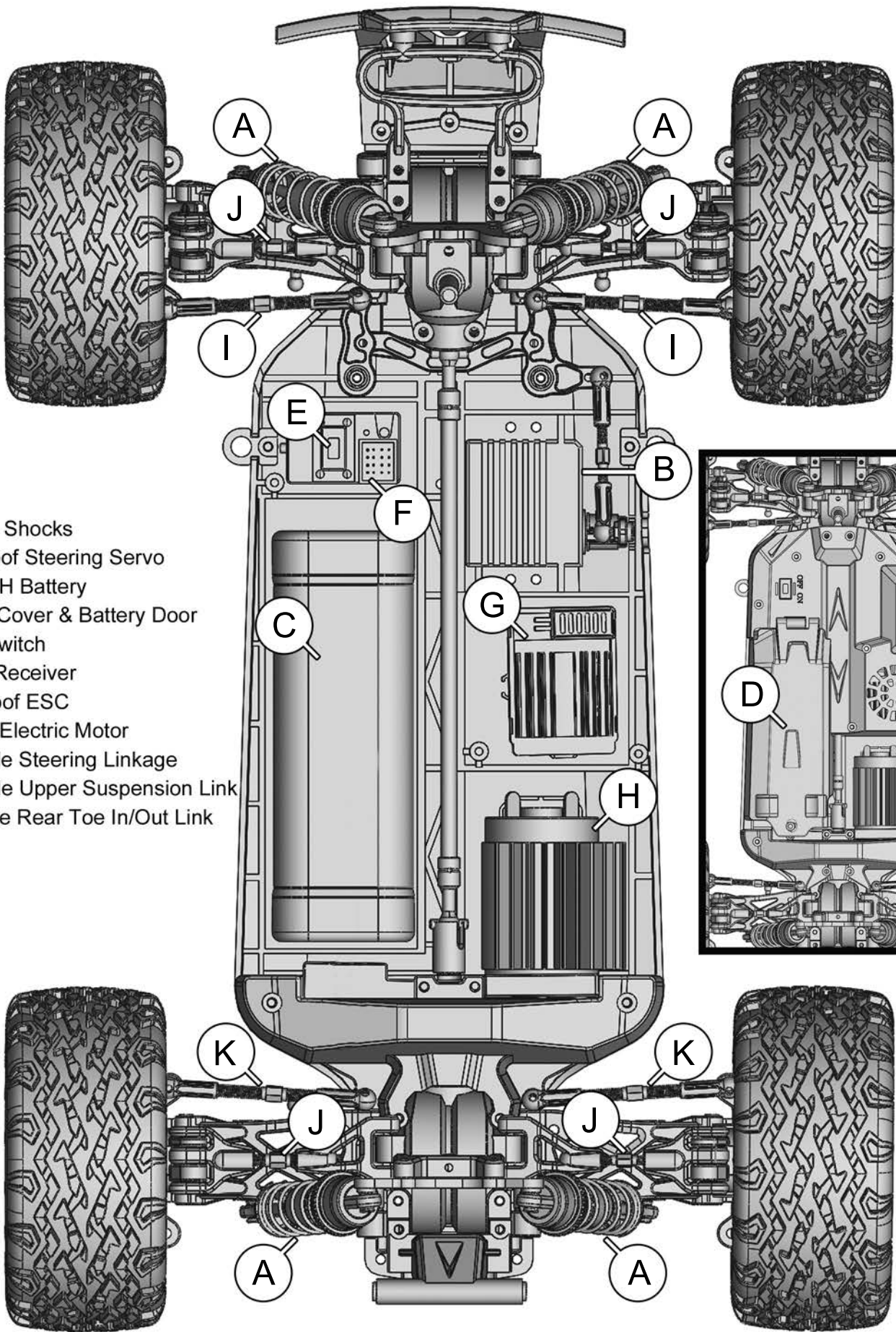


2.5mm

• Hex wrench

### WARNING:

Never use a drill or powered screw driver while working on R/C vehicles. The heat generated from fast turning screws can melt the threads inside the plastic. This can cause loose parts, resulting in poor performance, premature wear, and breakage.



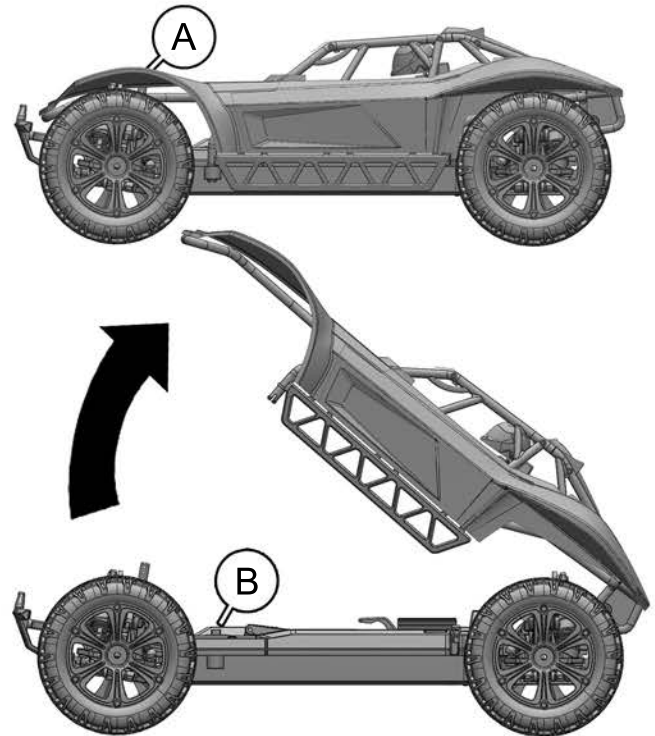
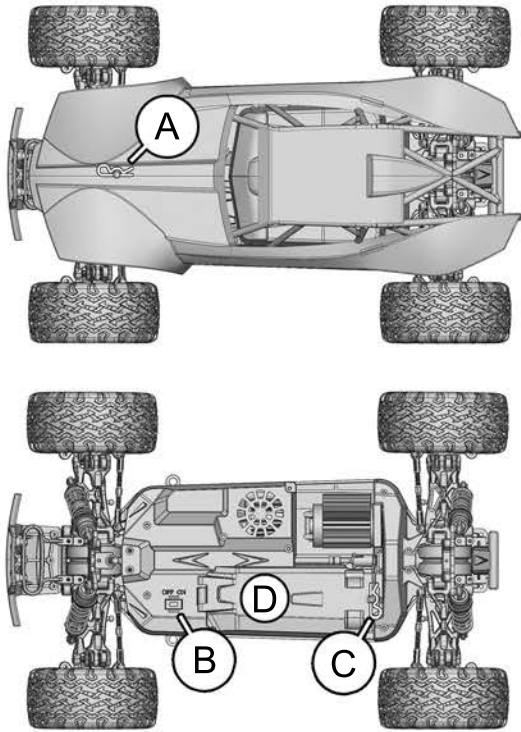
- A: Oil Filled Shocks
- B: Waterproof Steering Servo
- C: 7.2v NiMH Battery
- D: Chassis Cover & Battery Door
- E: On/Off Switch
- F: 2.4GHz Receiver
- G: Waterproof ESC
- H: Brushed Electric Motor
- I: Adjustable Steering Linkage
- J: Adjustable Upper Suspension Link
- K: Adjustable Rear Toe In/Out Link



# HINGED BODY

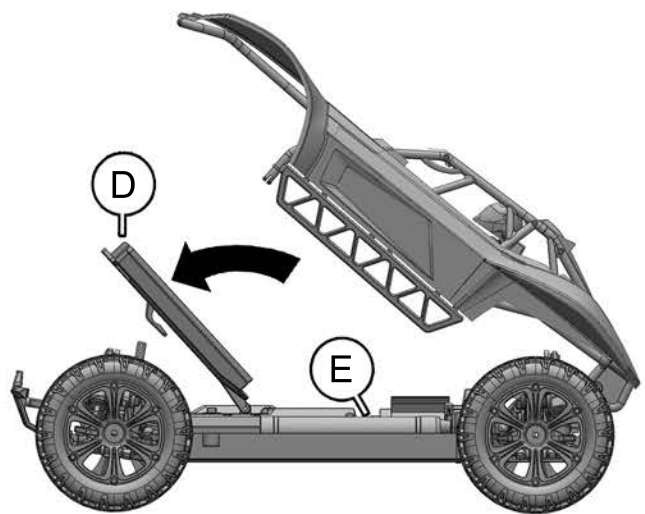
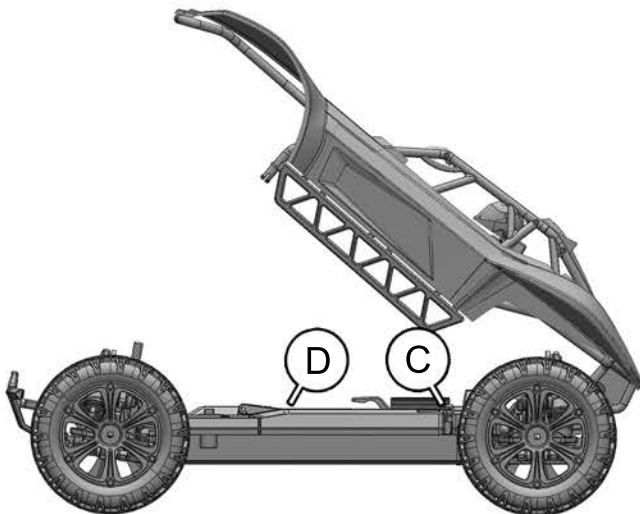
## Accessing the ON/OFF Switch:

1. To access the ON/OFF switch, remove a single body clip (A) found on the hood of the vehicle. The ON/OFF switch (B) is accessible without removing the dust cover.



## Accessing the Battery:

1. Remove the clip (C) at the rear of the battery door (D).
2. Raise the rear of the battery cover (D) to swivel it upward, revealing the battery (E).



## Chassis Dust Cover:

If you would like to access all the electronics and main chassis, removing the dust cover is easy. Just remove the body clips holding it down, it is now ready for removal.

# UNPACKING & SET-UP

## Unboxing your Redcat Racing RC vehicle:

Be sure you've removed all parts, equipment, tools, and documentation from the box. It's easy for small parts to get hidden in the packing materials and be overlooked.

Completely read all documents and instructions included with your Redcat Racing vehicle.

Acquire any necessary items such as battery packs, chargers, transmitter batteries, and any additional tools and supplies that may not be included with the kit.

## Looking over your new Redcat vehicle:

Be sure to look over your new Redcat RC. If anything looks broken or out of the ordinary, contact Redcat BEFORE using the vehicle. If the vehicle has already been used, we can only assume the damage was caused from that use.

Check all screws to make sure they are tight. Do not over tighten screws nested into plastic as this may damage the plastic threads. Avoid using power tools for this step.

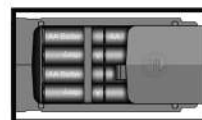
Check all nuts, bolts, and clips to ensure they are tight and secure.

Add medium strength liquid threadlock (like blue Loctite) to any screws threaded into metal parts, especially the motor mounts. Do not apply threadlock to screws threaded into plastic parts, this may damage the plastic threads. Threadlock can be found at auto parts stores. NEVER USE PERMANENT THREADLOCK! Heat is necessary to remove parts secured with permanent threadlock (like red Loctite). This will damage your RC vehicle.

Check all electrical connections. Loose connections create heat that may shorten battery life or worse, cause damage to the vehicle and components.

## Perform a radio range check:

Install new AA batteries into the bottom of the transmitter, as shown to the right.



Thread the vehicle's antenna through the plastic antenna tube and **turn on the transmitter.**

Keeping fingers away from potentially moving parts, hold the vehicle off the ground and turn on the ESC switch found in the vehicle. Always turn on the transmitter first, to prevent runaways.

Check that the controls are working properly. The steering wheel should operate the steering and the trigger should operate the motor. Pulling the trigger should make the vehicle go forward, pushing the trigger should apply the brake and reverse.

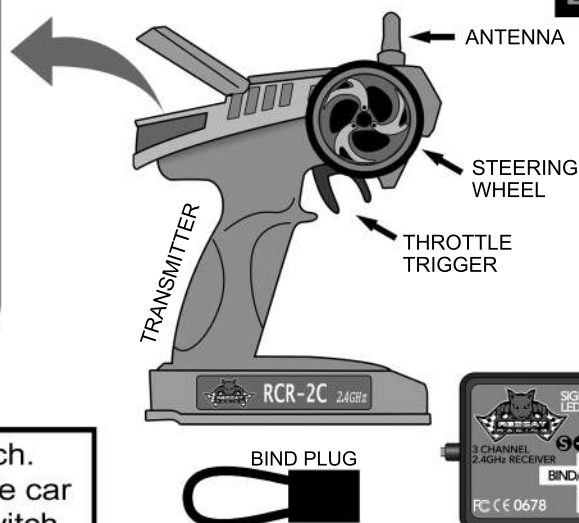
You may need to adjust the throttle trim found on the transmitter to keep the wheels from spinning while the trigger is in the neutral position.

Have a buddy hold the vehicle and walk 50 yards away. You and your buddy should decide on a routine beforehand, since it will be difficult to communicate with each other while testing. An example would be....turn the steering wheel left and count to ten, turn the steering wheel right and count to ten, Pull the trigger and count to ten, and push the brakes and count to ten. You will want to repeat these steps moving further out as you progress until you are beyond the maximum distance you plan to run the vehicle.

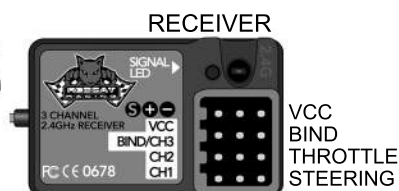
If the radio performed without any glitches or twitching at maximum distance, you are ready.

# RADIO GUIDE

CONTROL PANEL



**RCR-2C**  
2.4 GHz RADIO



**STEERING REVERSE SWITCH:** Top left switch. Used to change steering orientation. If the car turns right when you steer left, flip this switch.

**THROTTLE REVERSE SWITCH:** Top right switch. Used to change throttle trigger orientation. If the car goes in reverse while you pull the throttle trigger, flip this switch.

**POWER LED:** Left LED light. Lights up when the transmitter is turned on.

**BATTERY LEVEL LED:** Right LED light. Lights up green when transmitter batteries are full. Flashes when transmitter batteries are low and need replacing.

**BIND BUTTON:** Used to bind the transmitter to the receiver. See binding instructions.

**STEERING TRIM:** Left knob. Used to set the steering neutral point. If the vehicle veers in one direction while the steering wheel is centered, turn this knob in the opposite direction until the car drives straight.

**THROTTLE TRIM:** Middle knob. Used to set the throttle neutral point. If the vehicle moves forward or reverse while the throttle trigger is centered, turn this knob until the vehicle remains still. For maximum setting, turn slowly until the vehicle creeps forward, then turn the knob the opposite direction until the car stops.

**STEERING DUAL RATE:** Right knob. Used to limit the amount of steering. 0= little/no steering & 6= maximum steering. Set the knob to the amount of steering you feel comfortable with. If the vehicle has a tendency to spin out, lower the steering rate.

**ON/OFF SWITCH:** Bottom switch. Turns transmitter On and Off.

**VCC:** Electric vehicles that have an ESC will not utilize this port.

**BIND/CH3:** Used when binding to transmitter. Used for 3rd channel when needed.

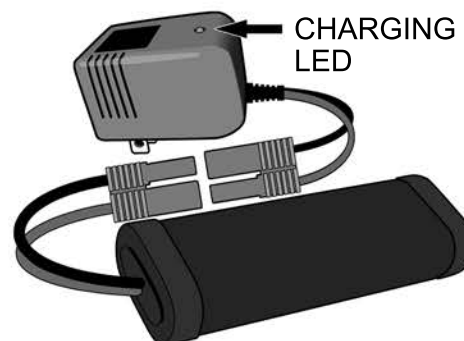
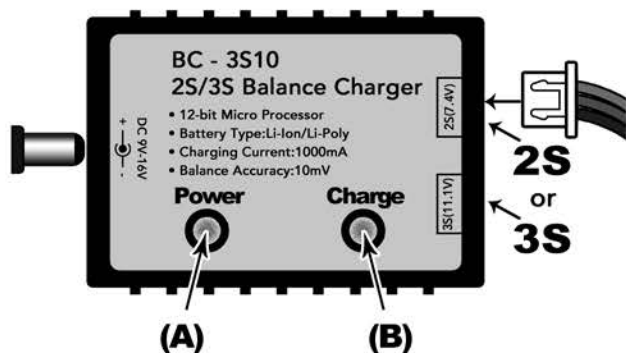
**CH2:** Used for Electronic Speed Controller

**CH1:** Used for steering servo.

## **BINDING:**

1. Insert the BIND PLUG into the receiver BIND port.
2. Make sure your ESC is plugged into CH2, and insert the bind plug into BIND/CH3. Now, power the vehicle on and the receiver light should begin to blink red.
3. Press the BIND button in the center of the transmitter's Control Panel and turn on radio.
4. Release the bind button when you see the green light on the radio flashing. At this point, your receiver's LED should now be solid red. If so, turn off the power to your vehicle, as well as the radio.
5. Remove the BIND PLUG from the receiver and reinstall the servos and ESC according to the paragraph above.
6. Now turn your radio on, then your vehicle as normal. Your radio and receiver should be bound together and communicating with each other.

# CHARGERS



**LIPO:** The BC - 3S10 Balance charger is capable of charging 2S and 3S LIPO batteries.

**DC PORT:** Single round port on left end of charger. Plug in DC adapter here.

**POWER LED:** Left LED light. Lights up when charger is connected to a 110v power source.

**CHARGE LED:** Right LED light. Blinks while battery is charging. LED light will turn solid red when battery is fully charged

**2S PORT:** Used to charge 2S 7.4v LIPO battery packs.

**3S PORT:** Used to charge 3S 11.1v LIPO battery packs.

### **CHARGING INSTRUCTIONS:**

1. Unplug the battery pack from the ESC and remove the battery from the vehicle.
2. Plug the charger into a 110v power receptacle using the included DC power adapter.
  - Power light will be on.
3. Plug the 2S/3S LIPO battery "balance charge plug" into the appropriate charge port. (as seen above) - Charge light will blink while the LIPO battery is charging.
4. When the charge light turns solid red, unplug the battery as charging is complete.
5. Unplug charger from the 110v power source.

**NIMH:** Charging NiMh battery packs with the included charger is very simple.

1. Plug the charger into a 110v wall receptacle.

### **ATTENTION**



Ensure POS+ wire is connected to POS+ & NEG- is connected to NEG-

2. Plug the battery pack into the charger.
3. Red light indicates the battery is charging.
4. Battery takes 8 hrs to completely charge.

STOP

**WARNING**

STOP

### **UNPLUG THE BATTERY PACK FROM THE VEHICLE!**

**BEFORE CHARGING YOUR BATTERY PACK, YOU MUST FIRST UNPLUG IT FROM THE ESC. FAILURE TO UNPLUG THE BATTERY FROM THE VEHICLE'S ESC BEFORE CHARGING MAY PERMANENTLY DAMAGE SOME OR ALL ELECTRONICS IN THE VEHICLE.**

**NEVER LEAVE BATTERY PACKS UNATTENDED WHILE CHARGING!** Leaving a battery unattended while charging may result in fire and damage / injury.

**NEVER ALLOW A BATTERY PACK TO GET HOT!** It's normal for the battery pack to get warm, but it should never get hot! Monitor batteries during charging and unplug to let cool if the battery gets hot.

**WHEN CHARGING LIPOs, A LIPO SAFE CHARGING BAG SHOULD BE USED TO HELP PREVENT FIRES.**

# UNDERSTANDING BATTERY PACKS

We will go over four different types of battery packs in this section. NiCd, NiMH, Li-ion, and LiPo. Although these four types of batteries have their differences, they also have some things in common. Such as, needing to be charged with a charger designed to charge that specific type of battery. Below are some terms used when talking about batteries.

## NiCd:

NiCd stands for Nickel-cadmium.

NiCd batteries were used in RC for a long time. They were the first of these four to be developed. NiCd batteries are similar to alkaline batteries, but NiCd batteries can be recharged. A NiCd battery can be discharged at high rates without damage but they are limited in terms of capacity. NiCd packs were the standard for toy department RC cars.

## NiMH:

NiMH stands for Nickel-metal hydride.

NiMH batteries have larger capacity capabilities than NiCd batteries but they tend to self discharge quicker. The higher capacity (high mAh rating) allows longer run times.

While a NiCd is preferred in transmitters, the NiMH batteries high capacity makes it a great choice for powering the RC vehicle.

## Li-ion:

Li-ion stands for Lithium-ion.

Li-ion batteries are a different chemistry than NiCd and NiMH batteries, but they are still constructed under pressure. That is why each cell has a metal outer case like NiCd and NiMH batteries. Li-ion batteries offer great performance and have a very low self discharge rate when the battery is not in use. Li-ion batteries require more care than NiCd and NiMH when being used, especially while charging. Li-ion specific chargers must be used and slow charging is best. Li-ion batteries are most commonly found in portable electronics and are making their way into the RC hobby because of their high energy density.

## LiPo:

LiPo stands for Lithium-ion polymer.

LiPo batteries are a completely different chemistry than both NiCd and NiMH batteries. LiPo batteries don't require pressure as do NiCd, NiMH, and Li-ion which allows them to be constructed without the same metal casings the other cells use. LiPo batteries are superior in performance but require more care when being used. LiPo batteries must be charged with a LiPo specific charger and must be used with a voltage cut off device. If a LiPo battery is completely discharged it will not be usable again. Many of the brushless vehicles come with a LiPo ready ESC which includes a built in voltage cutoff. Most brushless systems work best with LiPo batteries because of their large mAh ratings and lighter weight. LiPo batteries also have a flatter, more consistent, discharge rate. This means you'll have near full power until the low voltage cut-off device kicks in.



# UNDERSTANDING BATTERY PACKS

We will go over four different types of battery packs in this section. NiCd, NiMH, LiPo, and Li-ion. Although these four types of batteries have their differences, they also have some things in common. Such as, needing to be charged with a charger designed to charge that specific type of battery. Below are some terms used when talking about batteries.

## Cell count:

This is the number of battery cells used to make a battery pack. Usually, the more cells a battery pack contains, the higher the overall pack voltage. This is only true when comparing cell counts of similar batteries. For example: NiCd to NiCd and LiPo to LiPo.

Some typical battery cell counts:

NiCd - 6 cell=7.2v (&) 7 cell=8.4v

NiMH - 6 cell=7.2v (&) 7 cell=8.4v (&) 8 cell=9.6v

LiPo - 2s (2 cell)=7.4v (&) 3s (3 cell)=11.1v

Summary: The higher the cell count (when comparing similar battery types), the more voltage a pack has which causes the vehicle to go faster.

## mAh rating:

MAh stands for Milliamp-hour and is used to rate a batteries capacity. The higher the mAh rating, the more capacity a battery can hold allowing longer run times.

It is easiest to think in terms of amp hours (Ah) instead of milliamp-hours (mAh). To get this figure, divide the mAh rating by 1000. If you have a battery rated at 3000 mAh, it is equivalent to a 3 Ah rating. Battery companies use milliamp-hours on battery labels because it looks more impressive than amp-hours do.

A battery rated at 3000 mAh = 3 Ah. That means if this battery was being discharged at a constant 1 amp, it would last for 3 hours before completely discharging, hence 3 amp-hours.

Summary: The higher the mAh rating, the longer the run times.

## C rating:

The C rating is basically the capacity at which a battery can safely discharge without damaging it's cells. C ratings are multiplied by the pack's Ah to give you the safe amp discharge rate of a battery.

For example: A 3000mAh , 20C pack will safely discharge at 60 amps.

3000 mAh = 3 Ah.

3 Ah x 20C = 60 amps.

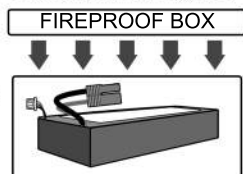
Summary: The higher the C-rating, the higher the ESC & motor amp draw can be used.

# LIPO SAFETY & CARE

LIPO batteries are efficient and have high capacity capabilities, which is why they are so popular in the RC industry. They provide both long run times and massive power, allowing the user to drive their RC car fast for long periods of time. There are however, some extra precautions that must be taken while using LIPO batteries. If the rules below are followed, you should be able to enjoy your LIPO packs for many years. However, if they are not followed, injury and damage may occur.

**Charging:** LIPO batteries must be charged with a LIPO specific charger. Slow balance charging is safest. When charged too quickly, LIPOs can overheat and catch fire. It is highly recommended charging your LIPOs inside a fire proof LIPO charging bag or box. You can usually find these at local hobby stores or online. LIPOs should never be left unattended while charging.

**Correct charging:**  
Battery may get warm to the touch, but never hot.



**Charge too fast or NON-LIPO specific charger:**  
Battery could get hot and catch fire!



**Discharging:** LIPO batteries need to obtain a minimum capacity of 3.4v per cell. This means a 2S (2 cell) LIPO pack will need to remain above 6.8v when discharged. The only way to safely ensure your LIPO pack doesn't discharge below its safe level is by using a voltage cutoff device. Some ESCs have one built into the circuitry, but for those that don't, purchasing an external voltage cutoff is necessary. If a LIPO pack does discharge beyond its safe level, dispose of the LIPO battery pack according to local laws. LIPO packs discharged beyond their safe level are unstable and may not accept a charge. If the pack does charge, it will be unstable and likely to fail or catch fire. If you notice swelling in the pack or a hissing sound, place the battery outside in a safe area free of people, animals, buildings, cars, or anything that can be damaged and leave the pack there for 30 minutes while keeping a distant watch. Once the pack has stopped hissing and appears to be safe, place in a fire proof charge bag and dispose of the battery according to local laws immediately.

**Swollen or hissing:**  
Move battery to safe location and let sit till hissing stops, then discard according to local laws.



**On Fire:**  
Using appropriate fire extinguisher, put out fire and call the local fire department.



**Storage:** LIPO batteries can efficiently hold a charge for long periods of time however, there is still a slight amount of voltage loss while a LIPO sits idle. Partially charge LIPO batteries when not in use to ensure the voltage doesn't drop below the safe level while being stored. Always store LIPO batteries in a cool place off of concrete floors. HOT or COLD environments may negatively effect your battery. Storing a LIPO in a HOT environment, like direct sunlight or in the family car, may overheat the battery and possibly cause failure or fire. Storing your LIPO in a COLD environment, like the freezer or on a concrete floor, may cause the battery to quickly drain below the safe level. Store in an air conditioned area like a closet shelf in your home.

**Direct Sunlight:**  
Never store LIPO batteries in direct sunlight as it may cause overheating and failure.



**Cold Environments:**  
Storing LIPO batteries in cold environments or directly on concrete floors may prematurely drain the battery.



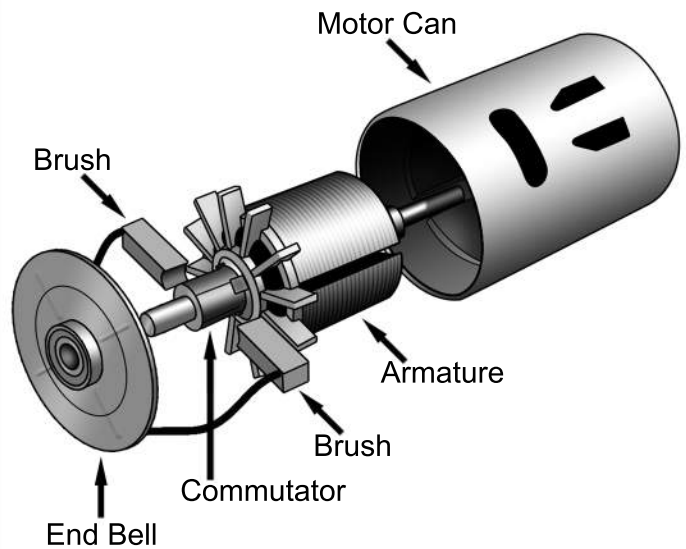
**LIPO BATTERIES CAN BE A SAFE EFFICIENT WAY TO POWER YOUR R/C VEHICLES AS LONG AS THE PROPER SAFETY PROCEDURES ARE FOLLOWED.**

# ELECTRIC MOTORS

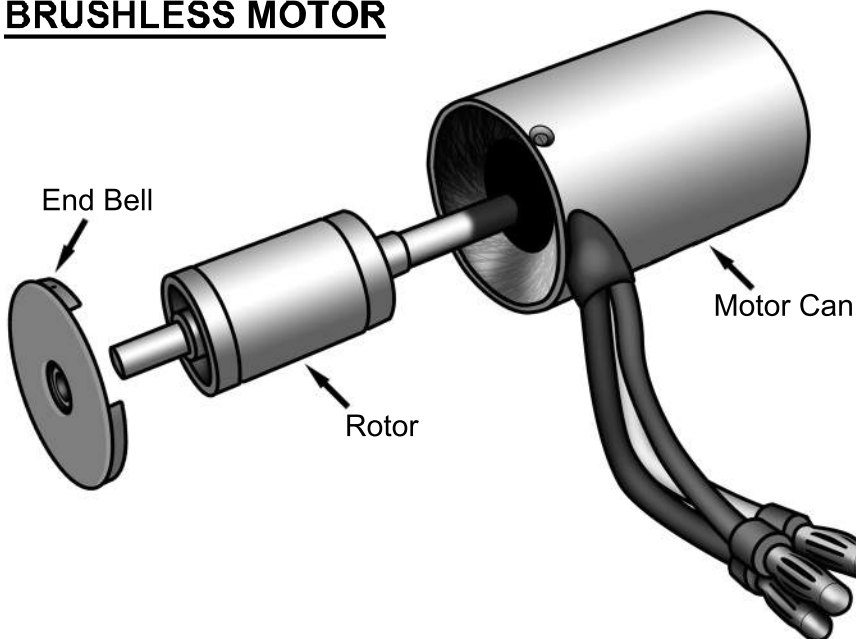
There are two types of electric motors used in RC vehicles, brushed and brushless. Redcat offers vehicles with brushed motors as well as vehicles with brushless motors. In this section we will compare the two.

Brushed motors use magnets mounted to the inside walls of the motor can. The center shaft, called an armature, contains wire coils used to create positive and negative charges. In order for these coils to work, they must have power supplied to them. Brushed motors use brushes to transfer power to the center shaft through the commutator, located toward the top of the shaft. A typical motor uses two brushes as seen to the right. These brushes must keep constant contact to the commutator in order to charge the coils and keep the motor running. As you can imagine, lots of heat and friction are created between the brushes and commutator. Keeping this part of the motor clean is important to having a good running motor. Motor cleaning sprays are sold at hobby stores and come in easy to use spray cans. Spray the end of the motor that contains the brushes with motor spray every couple of runs to keep it working properly. Thin bearing oil can be used to lubricate the bearings or bushings after cleaning.

## BRUSHED MOTOR



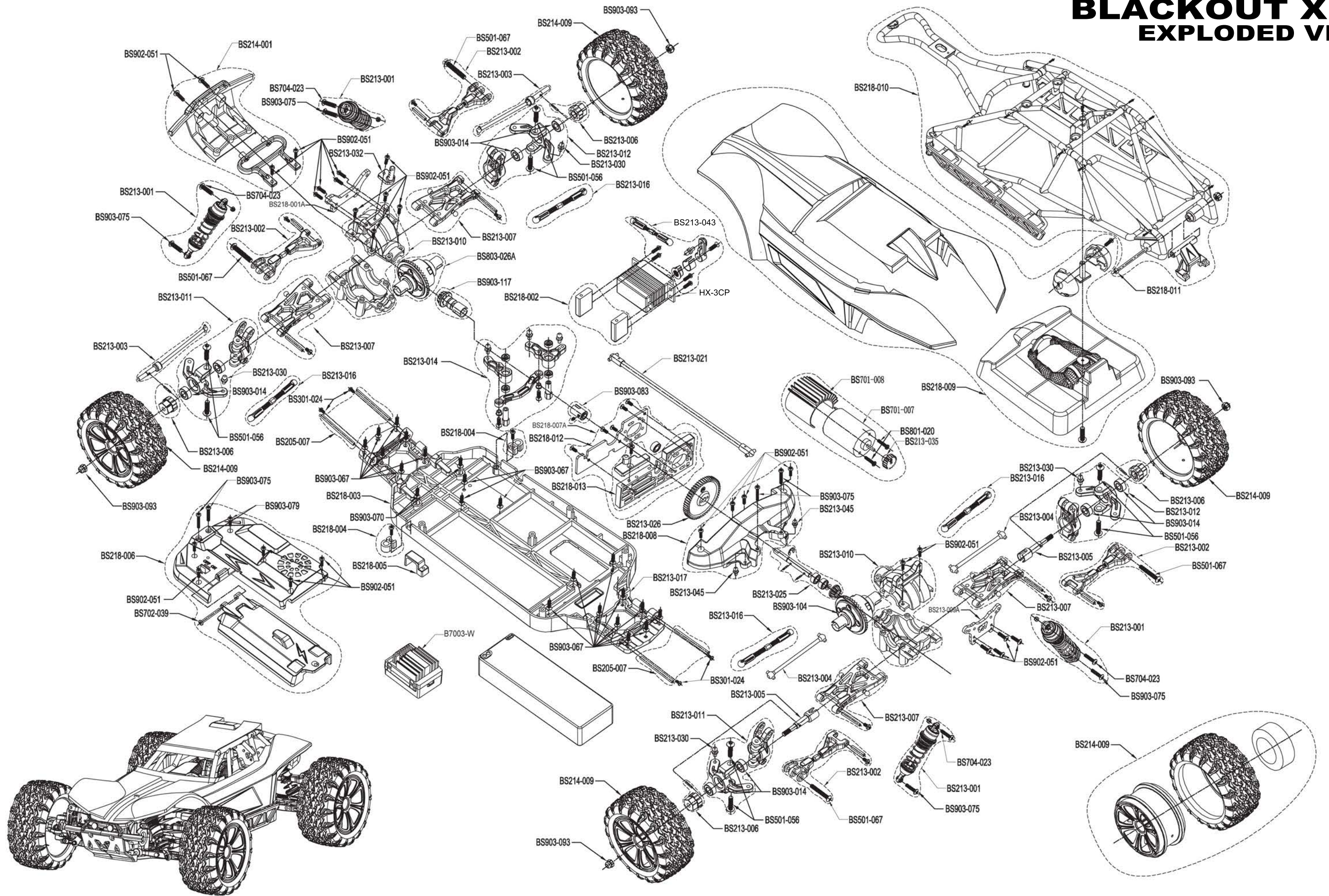
## BRUSHLESS MOTOR



Brushless motors need an electrical supply to the coils as well, but the coils are mounted to the inside of the motor can instead of the shaft. This allows a direct wire connection. The magnets are mounted to the center shaft, called a rotor, and no brushes are needed. Brushless motors run more efficiently than brushed motors because there's no friction and loss of current from brushes rubbing against a commutator. This means more power and longer run times. Although brushless motors are efficient, they still create heat and over heating any electric motor can cause failure.

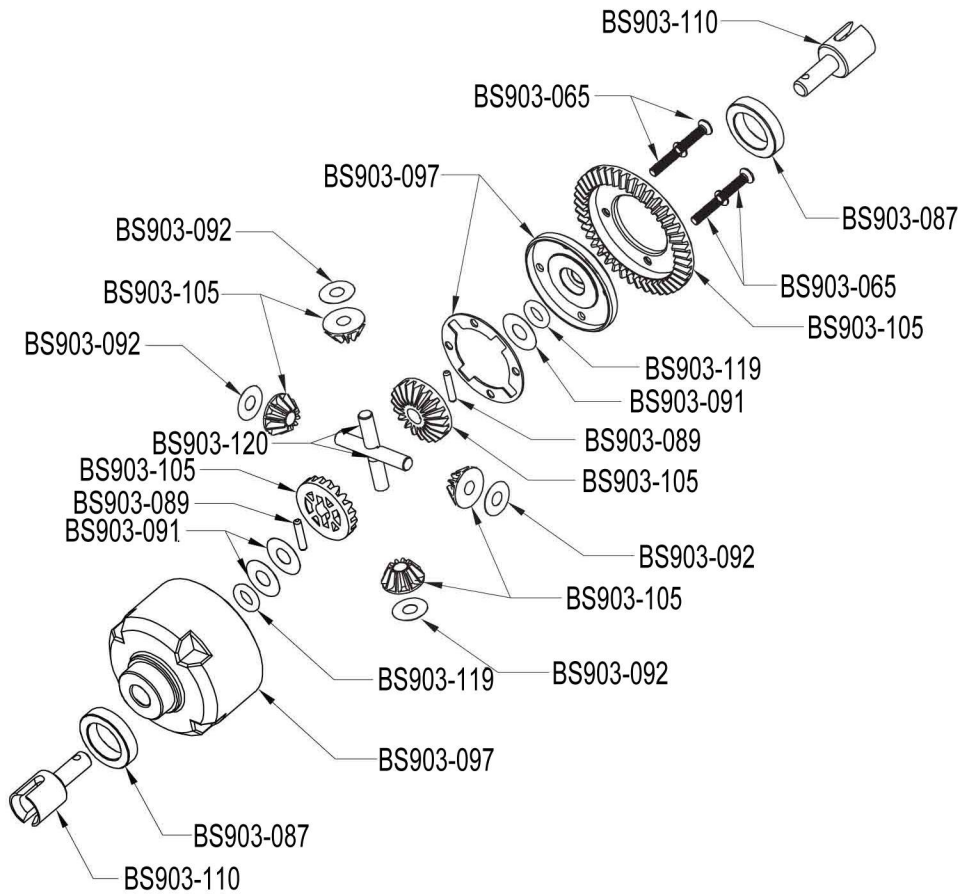





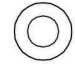
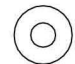



# BLACKOUT XBE EXPLODED VIEW



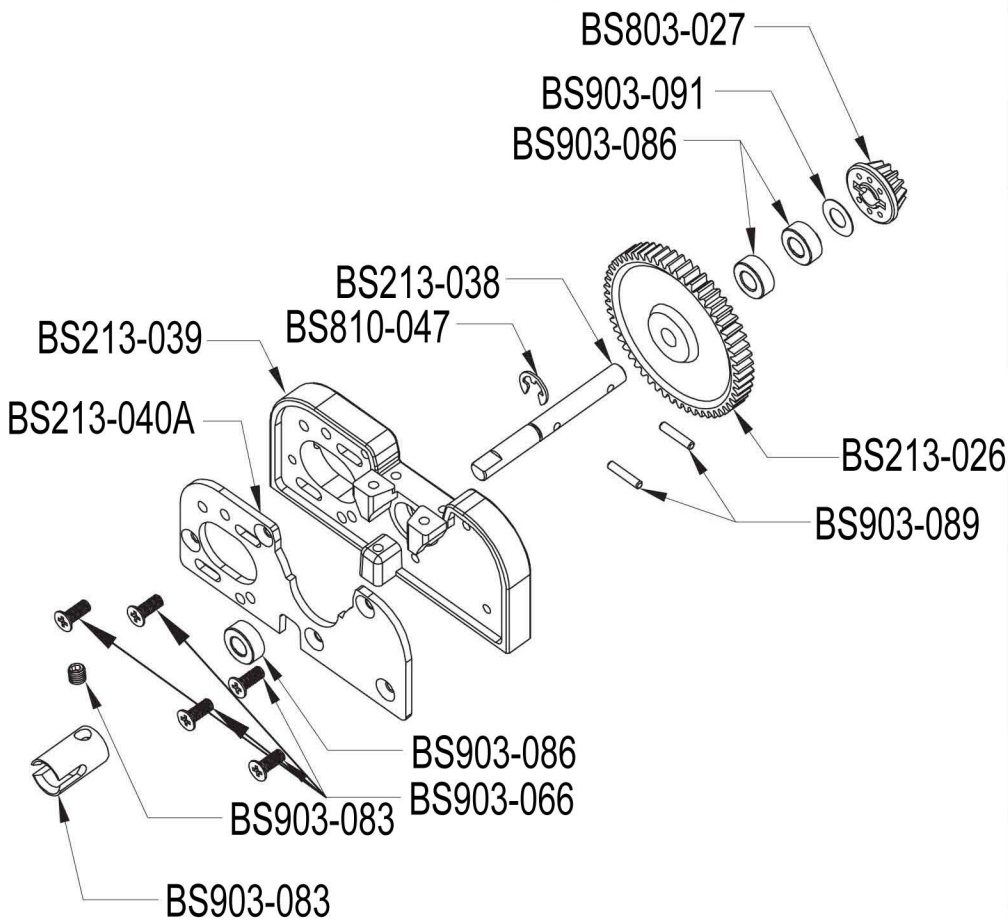


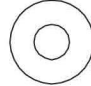



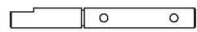

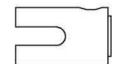
## BS903-104 Diff Gear box unit



BS903-110	Joint B		-----	1
BS903-087	Ball Bearing(12*18*4)		-----	2
BS810-038	B head hex fine pitch screws HM2.5*12		-----	12
BS903-119	O ring 5*9*2		-----	12
BS903-091	Washer A(5.2*10*0.2)		-----	12
BS903-092	Washer B(4.2*8*0.2)		-----	12
BS903-089	Pin(2*9.8)		-----	12
BS903-120	Diff Gear Shaft (4*26.2)		-----	6

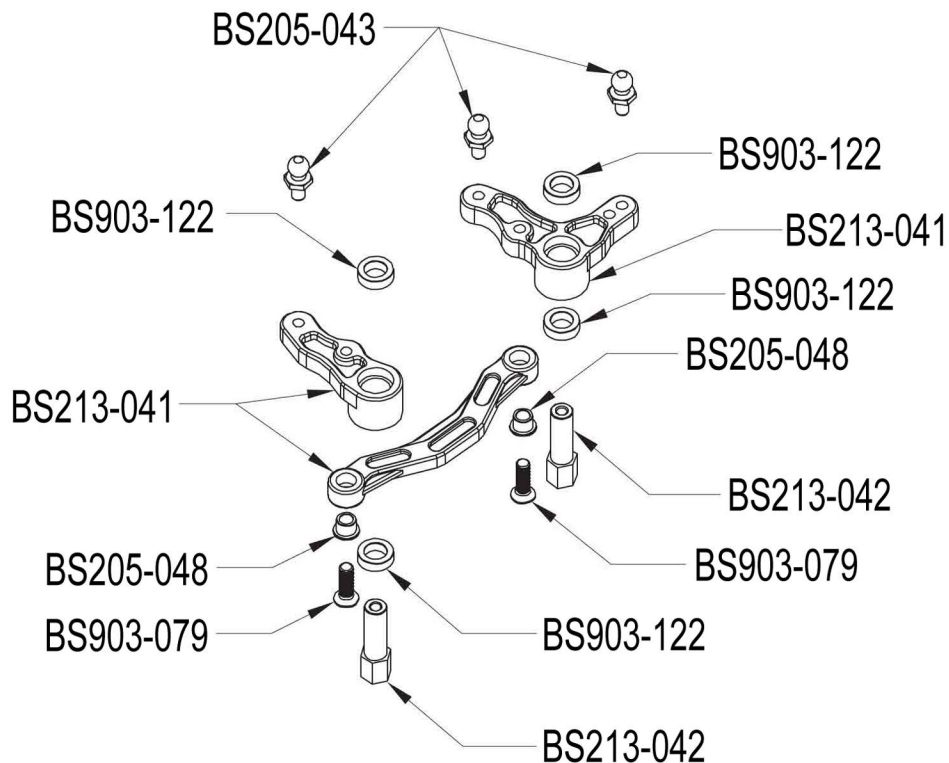
## BS213-029 Spur Gear Unit(Zinc Alloy)



BS903-091	Washer A (5.2*10*0.2)		-----	12
BS903-086	Ball Bearing 5*10*4		-----	2
BS903-089	Pin 2*9.8		-----	12
BS810-047	E clip		-----	12
BS213-038	Gear shaft		-----	1
BS903-066	Flat Cross Screw(TPF3*8)		-----	12
BS903-083	Joint D		-----	1



## BS213-014 Steering System Unit



BS205-043 Ball head screw  
4.8\*12.3



----- 6

BS903-122 Copper bush  
5.1\*8\*2.5



----- 12

BS205-048 Spacer bush  
3.05\*3.7



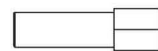
----- 12

BS903-079 B-Head Cross  
Screw(BM3\*10)



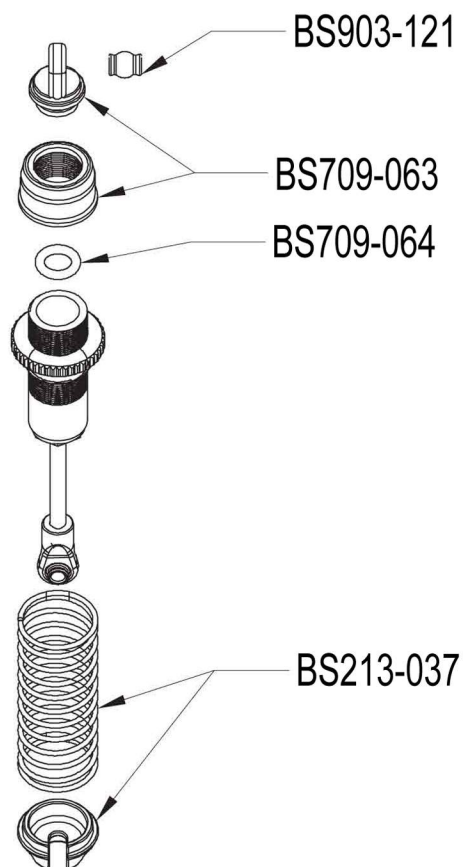
----- 12

BS213-039 Steering Axis  
(5\*20.9)



----- 2

## BS213-001 Shock Unit

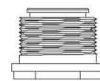


BS709-059 Spacer bush  
3.6\*5.9\*1



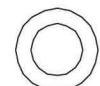
----- 4

BS709-059 Shock Low  
Cylinders



----- 4

BS709-060 O Ring 6.5\*3.5\*1.5



----- 12

BS709-061 O Ring 5\*8\*1.5



----- 12

BS709-062 Shock Ball end



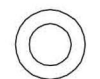
----- 6

BS903-121 Shock ball head



----- 12

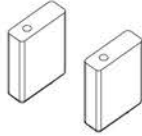
BS709-064 O Ring 6\*10\*2



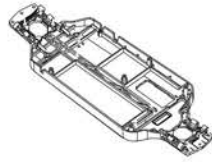
----- 12



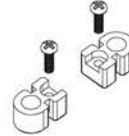
BS218-001A Fr. Brace



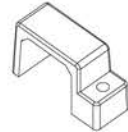
BS218-002 Servo mount 2pcs



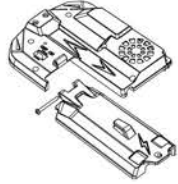
BS218-003 Chassis



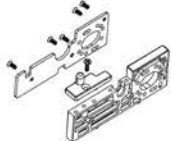
BS218-004 Support fixed block 2pcs



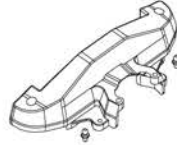
BS218-005 Wire Mount



BS218-006 Upper Deck-Fr.



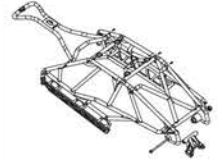
BS218-007A Motor Mount Unit



BS218-008 Gear Box Case Unit



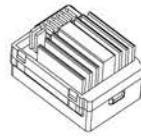
BS218-009 Body



BS218-010 Body Mount



BS218-011 Screw 3\*50 4pcs



BS7003-W 1/10 Brushed Waterproof Esc



BS218-019 Screw BT2\*8 12pcs  
BS218-020 Screw BT2\*12 12pcs



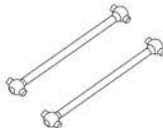
BS213-001 Shock Unit 2pcs



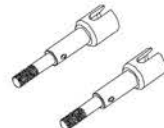
BS213-002 Upper Susp. Arm Unit 2pcs



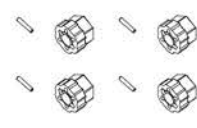
BS213-003 Front Transverse Drive Shaft w/axle 2pcs



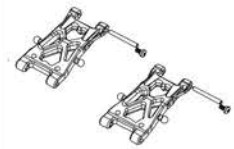
BS213-004 Rear Transverse Drive Shaft 2pcs



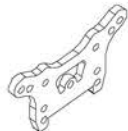
BS213-005 Rear Axle 2pcs



BS213-006 Rim Hub With Pin 4pcs



BS213-007 Lower Susp. Arm Unit 2pcs



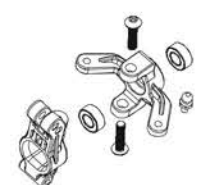
BS213-009A Rear Brace



BS213-010 Diff. Gearbox Bulkhead Upper/Lower



BS213-011 C Hubs Unit L



BS213-012 C Hubs Unit R



BS213-014 Steering System Unit



BS213-043 Servo Mount



BS213-016 Steering Link 4pcs



BS213-021 Drive Shaft Unit



BS213-025 Gear Shaft Unit (zinc alloy)



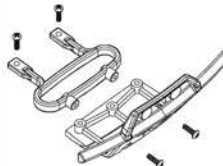
BS213-026 Spur Gear 55T



BS213-030 Ball Head Screw 12pcs  
BS213-045 B Head Hex Fine Pitch Screws M3 12pcs



BS213-032 Body Mount 2pcs



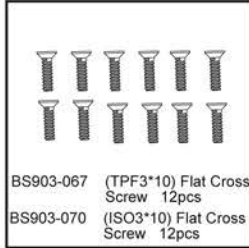
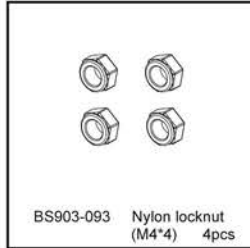
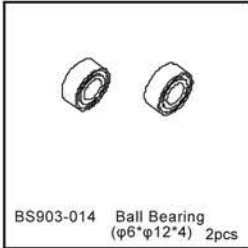
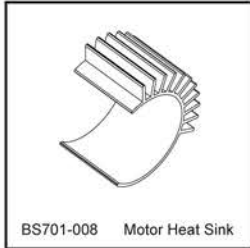
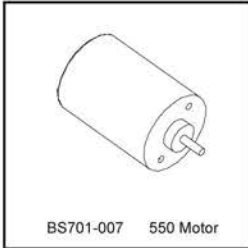
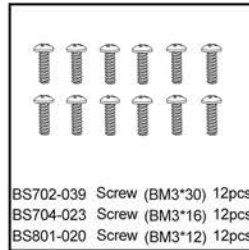
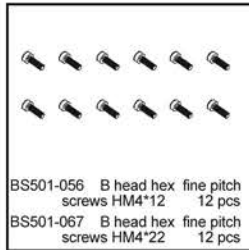
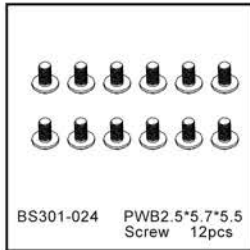
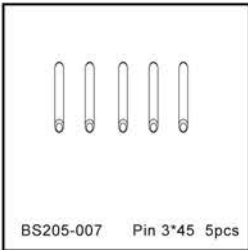
BS214-001 Bumper Unit



BS214-006 Motor Gear 18T



BS214-009 Tire Unit 2pcs



# DRIVING TIPS

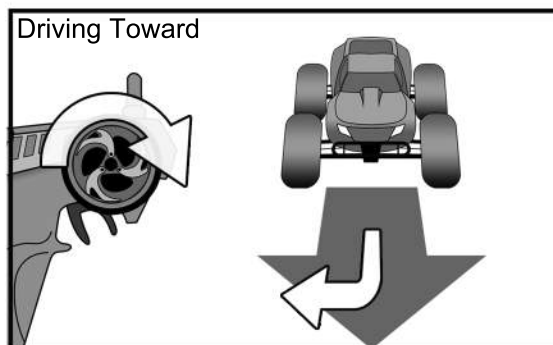
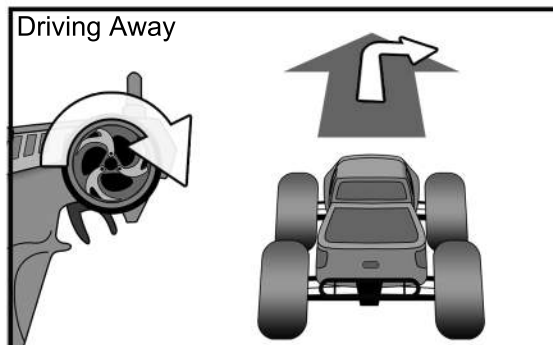
## Perspective:

The single most difficult aspect of driving RC vehicles is perspective. Perspective involves your relation to the vehicle. Are you behind the vehicle, in front of the vehicle, or beside it?

Driving an RC vehicle while standing behind it is like driving a full size car or go-cart. When you turn left, it goes to the left and when you turn right, it goes to the right. Simple.

What if the vehicle is coming toward you? When to turn the wheel to the left, will it go toward your left? No! Because the vehicle is coming toward you, the controls seem reversed. The controller doesn't actually change, it just seems like it does because of perspective.

Always imagine yourself sitting inside the vehicle, not standing outside with a remote. Imagine you are driving and the wheel on the remote is the actual steering wheel inside the car. Keeping this mind set will help you make the correct steering decisions no matter which direction the RC vehicle is pointed.



## Steering and Throttle Control:

The steering and throttle inputs are both proportional. This means slightly pulling the trigger will make the RC vehicle move slowly. Pulling the trigger all the way back will cause the RC vehicle to go fast. The same applies to the steering.

The most common mistake with new RC enthusiasts is over correction. Over correction is when a slight amount of steering or throttle is needed and full throttle or steering is applied causing "crazy driving".

It's a good time to learn how to control your movements. This may sound silly, but nerves and adrenaline have a lot to do with over correction. It is sometimes difficult to control our movements when we are over excited. I promise you, when your Redcat vehicle blasts across your yard and the grass starts flying, you will get excited.

As you become more familiar with your RC vehicle, you will tend to relax a little more making it easier to concentrate on small control inputs instead of great big ones.

## Look Ahead:

While controlling an RC vehicle it's important to look where it's going instead of where it's been. Looking a good five-to-fifteen feet in front of the vehicle will give you time to react to uncertain obstacles. It also prevents trees from jumping out in front of you.



### **BEFORE JUMPING YOUR VEHICLE READ THIS!**

Jumping RC vehicles does not usually yield the same results found in online videos. It may have taken many tries and broken parts to nail that huge jump on camera. You assume full responsibility for any damage that results from jumping your Redcat Racing RC vehicle. Redcat assumes no responsibility if you decide to jump or stunt your Redcat RC vehicle.



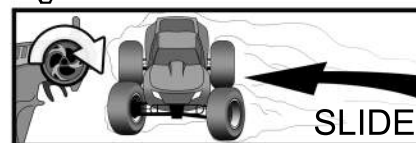
# ADVANCED DRIVING TIPS

As you become comfortable driving your Redcat RC vehicle, you may want to drive smoother and with more precision so you can go faster. Here are a few driving tips that are sure to add some excitement.

## Drifting:

Driving on loose surfaces like dirt or gravel can be fun, but how do you keep from spinning out? Counter steering is the answer to that question. Here is a rule of thumb to go by. Always keep the front tires pointed in the direction you want the car to go. This is true regardless which direction the vehicle itself is pointed.

Here is an example: Let's say you are driving in loose dirt. You are traveling at full speed and you want to make a left hand turn while maintaining most of your speed. You turn the wheel left spinning the vehicle 360 degrees resulting in a complete loss of speed.



Try this! Get the RC up to full speed again, only this time, turn left and when the vehicle starts to spin, turn right keeping the front tires pointed where you want the car to go. When done correctly, the vehicle will enter into a slide or "drift" allowing you to turn while maintaining most of your speed. Practice this many times in both directions and you'll be drifting like a pro.

## **BEFORE JUMPING YOUR VEHICLE READ THIS!**

Jumping RC vehicles does not usually yield the same results found in online videos. It may have taken many tries and broken parts to nail that huge jump on camera. You assume full responsibility for any damage that results from jumping your Redcat Racing RC vehicle. Redcat assumes no responsibility if you decide to jump or stunt your Redcat RC vehicle.

## Jumping:

When done correctly, jumping is by far the most impressive maneuver done with RC vehicles. All RC's can go up, but how they land determines whether it was a successful jump. Anyone can hit a jump at full speed, I'm going to teach you how to land on all four tires.

The wheels on an RC vehicle act as gyroscopes. All this really means is, you can drive the vehicle while it's in the air. The amount of throttle or brake applied while in mid flight will control whether the nose is up or down. Applying throttle will raise the nose and applying brake will lower the nose.

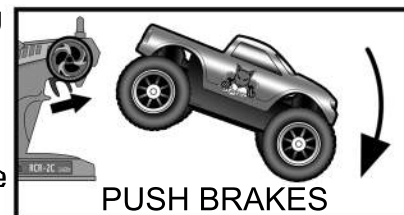
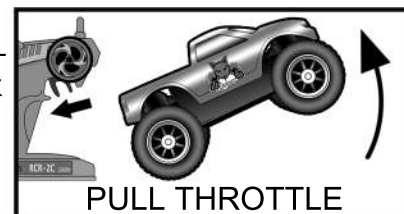
This is good to know if you hit a jump and your vehicle's nose is pointed at the ground. Hit the gas! Hitting the gas will raise the nose to help level out the landing. The amount of throttle used is in direct relation to the amount of correction needed. Be careful, landing while on the throttle can strip gears.

Adding steering input in conjunction with throttle inputs will cause a whole new outcome.

Let's say you are in mid flight, your left front tire is closest to the ground, and you want to level the vehicle out. In this case you would steer left and apply throttle. This will raise the left front tire. Applying too much throttle will raise the left front tire too high.

Here is a good rule of thumb. Steer into the front corner of the vehicle you want to correct and apply the appropriate trigger response. Remember, applying throttle raises the nose and applying the brake lowers it.

This will take much practice so be sure to have some spare parts on hand. Bad landings can do lots of damage.

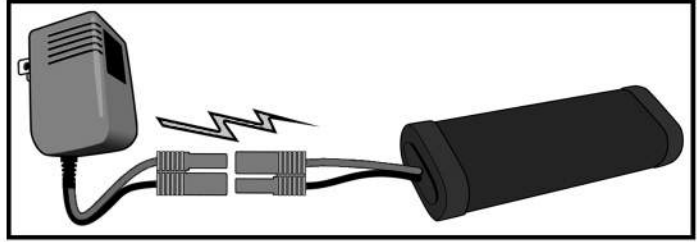
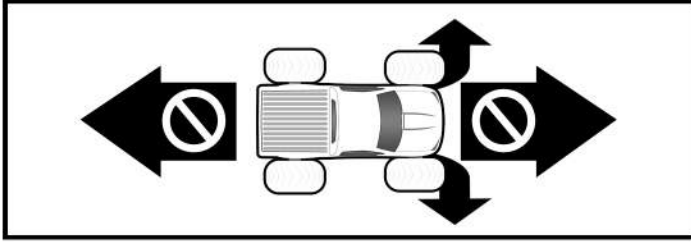




# TROUBLE SHOOTING ELECTRIC

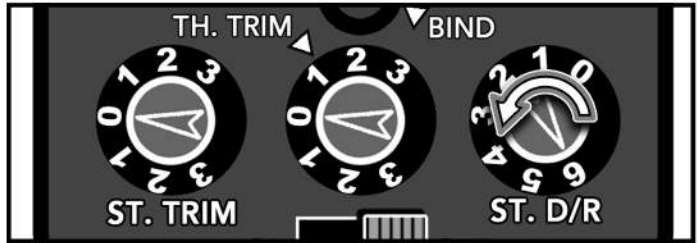
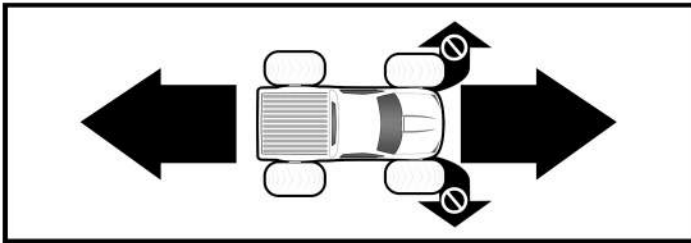
## Vehicle Steers Left/Right But Won't Drive Forward/Backward:

Battery is too low and needs to be charged.



## Vehicle Drives Forward/Backward But Won't Steer Left/Right:

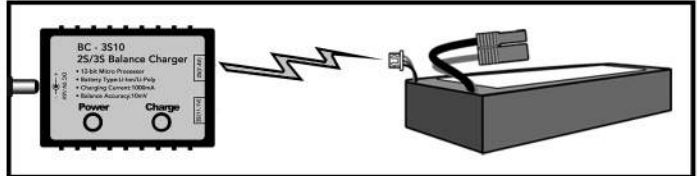
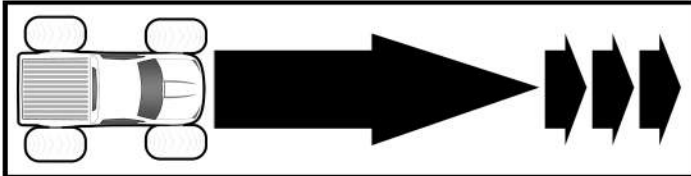
Steering dual rate is set too low. Turn the steering dual rate knob counterclockwise.



## Vehicle Drives Fast, Slow, Fast, Slow (LIPOs Only):

ESC's low voltage cutoff is warning you that the LIPO battery needs to be recharged.

Turn off the vehicle immediately and disconnect the LIPO battery to avoid over discharge. Recharge the LIPO battery before driving your R/C vehicle again.



# TROUBLE SHOOTING ELECTRIC

<u>Symptom</u>	<u>Problem</u>	<u>Correction</u>
Vehicle won't steer or move	<ul style="list-style-type: none"> <li>• Transmitter not turned on</li> <li>• Transmitter batteries are dead</li> <li>• ESC not turned on</li> <li>• Battery pack not charged or plugged in</li> </ul>	<ul style="list-style-type: none"> <li>• Turn on transmitter</li> <li>• Replace transmitter batteries</li> <li>• Turn on ESC</li> <li>• Charge battery pack and ensure proper connection</li> </ul>
Vehicle steers but won't move	<ul style="list-style-type: none"> <li>• Battery pack not charged</li> <li>• Motor wires loose</li> <li>• ESC needs to be reset</li> </ul>	<ul style="list-style-type: none"> <li>• Charge battery pack</li> <li>• Plug in motor securely</li> <li>• Follow ESC manual to reset</li> </ul>
Grinding sound	<ul style="list-style-type: none"> <li>• Gear mesh too loose</li> <li>• Gears worn</li> </ul>	<ul style="list-style-type: none"> <li>• Reset gear mesh</li> <li>• Replace gears</li> </ul>
Motor spins but truck won't move	<ul style="list-style-type: none"> <li>• Hex inside wheel is rounded out</li> <li>• Axle missing or damaged</li> </ul>	<ul style="list-style-type: none"> <li>• Replace rim</li> <li>• Reinstall axle, replace if damaged</li> </ul>
Truck bounces while driving fast	<ul style="list-style-type: none"> <li>• Dirt stuck inside rims</li> <li>• Bent axle or driveshaft</li> </ul>	<ul style="list-style-type: none"> <li>• Clean rims</li> <li>• Replace axle or driveshaft</li> </ul>
Truck turns to the side automatically	<ul style="list-style-type: none"> <li>• Steering trim needs adjusting</li> <li>• Servo saver too loose</li> <li>• Front wheels have too much toe-out</li> <li>• Steering servo horn needs realigning or replaced</li> <li>• Servo gears stripped</li> </ul>	<ul style="list-style-type: none"> <li>• Adjust transmitter steering trim</li> <li>• Tighten servo saver</li> <li>• Set 0° toe at front wheels, refer to setup guide</li> <li>• Check servo horn, replace if worn</li> <li>• Replace servo</li> </ul>
Clicking noise while steering	<ul style="list-style-type: none"> <li>• Servo gears stripped</li> <li>• Servo horn stripped</li> </ul>	<ul style="list-style-type: none"> <li>• Replace servo</li> <li>• Replace servo horn</li> </ul>
Sluggish steering	<ul style="list-style-type: none"> <li>• Servo saver too loose</li> </ul>	<ul style="list-style-type: none"> <li>• Tighten servo saver</li> </ul>
Loss of control	<ul style="list-style-type: none"> <li>• Transmitter batteries too low</li> </ul>	<ul style="list-style-type: none"> <li>• Replace transmitter batteries</li> </ul>
Battery pack won't charge	<ul style="list-style-type: none"> <li>• Loose connection</li> <li>• Bad battery pack</li> <li>• Using wrong charger</li> </ul>	<ul style="list-style-type: none"> <li>• Ensure proper connection</li> <li>• Replace battery pack</li> <li>• Use NiMH charger for NiMH &amp; LIPO charger for LIPOs</li> </ul>
Truck moves with no throttle input	<ul style="list-style-type: none"> <li>• Throttle trim is not set properly</li> </ul>	<ul style="list-style-type: none"> <li>• Set transmitter throttle trim</li> </ul>

# VEHICLE MAINTENANCE

There is much fun to be had running RC vehicles. To ensure continued fun throughout the years, here are some maintenance tips to follow.

## Chassis Cleaning:

Many substances such as dirt, grass, & grime can find its way onto your RC chassis. It's a good idea to clean this off after each days use. There are many ways to clean an RC vehicle. Here are a few examples.

One of the most effective ways to clean the chassis is with an old tooth brush, cotton swab, old paint brush, and rag. These four tools work well for removing dirt and debris.

Pay close attention to areas with moving parts such as suspension components, steering components, and drive train. It is important to get these areas clean to help prevent wear.

## Bearings:

Running your vehicle through water is never recommended, but moisture may still make its way into the vehicles bearings. Here are some tips on drying, cleaning, and oiling the bearings.

Your Redcat Racing vehicle may have bearings in various locations like wheel hubs, steering linkages, gear supports, and drive shaft supports. First you must have access to all the bearings. Remove all four wheels and any other parts blocking bearing access.

Spray the bearings with a water displacer such as WD40 or Wire Dryer. This will flush out moisture, dirt, and grime.

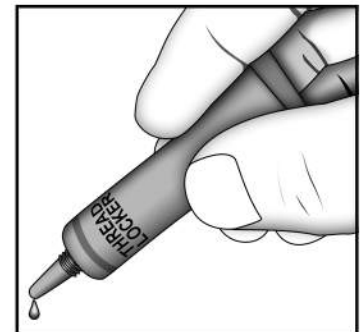
After a good spraying with a water displacer, the bearing will be in need of oil. Use a light bearing oil found at the hobby shop or auto parts store. \*This step is important\* Failing to re-oil the bearing will cause them to wear prematurely and replacements will be necessary. A few drops of oil per bearing should be fine. Spin the bearing to work the oil into the inner race.

## Screws and Moving Parts:

It's a good idea to quickly go over the entire vehicle after each run to ensure all screws remain tight. Make sure there isn't any excess slop in moving parts.

Medium thread lock (like blue Loctite) should be used on any screws that fasten into metal parts, especially the motor mount. Never use permanent thread locker on any part of you RC vehicle. Permanent thread locker (like red Loctite) can only be removed with heat, which will cause damage to the vehicle.

Checking for cracks and excess wear is also a good way to save yourself some headaches down the road.



# VEHICLE MAINTENANCE

## Electronics:

Be sure to check your electronics after each use. The electronics are the life line of the vehicle and if they aren't working properly, a crash is almost certain.

Periodically range check your radio system to ensure proper operation.

Check batteries regularly. It is important to have fresh batteries in the transmitter.

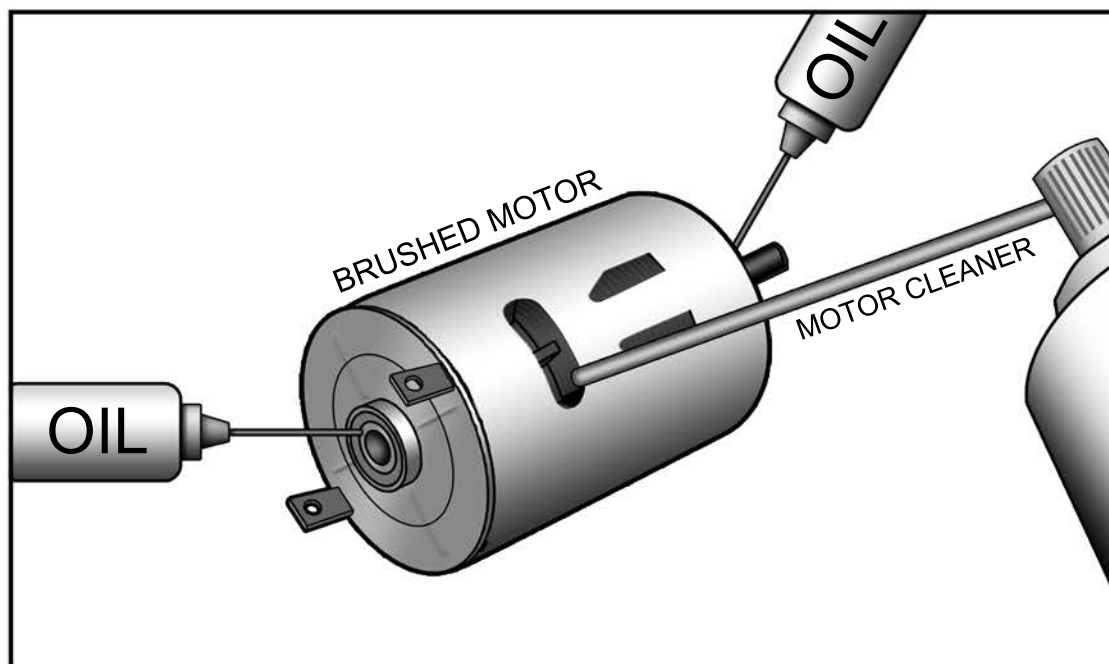
Check the antenna on both the receiver and the transmitter. Make sure there are no cuts or breaks in the receiver antenna. This will cause glitches and possible signal loss.

Using the transmitter, check the steering servo by turning the wheel back and forth. Check that it is operating smoothly and no clicking noises can be heard.

Make sure all electronics stay dry. Water can short out the circuit boards inside the electronics causing failure.

The electronic speed controller should be inspected after each use. Make sure all connections are tight and no wires are in harm's way. Check the fan (if included) on the ESC for any debris. The fan is an important component in keeping the ESC cool. Make sure the ESC stays dry and never store with a battery pack plugged in.

Brushed motors should be sprayed with electric motor spray found at your local hobby shop. This will prolong the motor's life by keeping the commutator and brushes clean. Remember to re-oil the bearings or bushings with a light bearing oil. Brushless motors do not need cleaning.



# SETUP TIPS

Redcat Racing cars, trucks, and buggies offer many tuning options to help you achieve the exact feel you like in a vehicle. These tuning options include shock position, ride height, camber, toe in or out, shock stiffness, and over all suspension geometry.

## SHOCK POSITION:

Shock position plays a big role in how your vehicle handles bumps as well as turning stability. The effects of shock position effect the area of the vehicle you change. For instance, if you change the front shock positions, it will effect the traction and stiffness of the front tires.

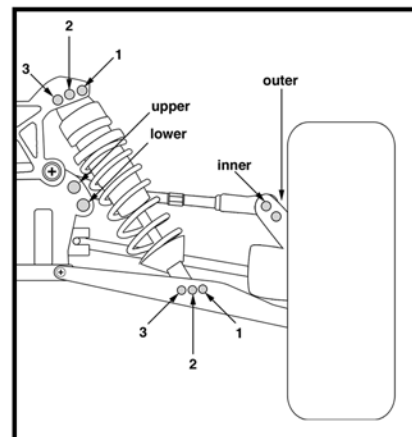
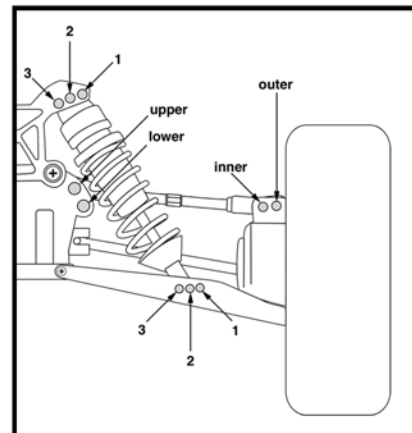
### FRONT SHOCK POSITION:

#### **POSITION: TOP=1 & BOTTOM=3:**

The straighter up and down the shock is, the stiffer it will feel. This may also decrease bump handling stability as well as decrease traction. The benefit of this position in increased steering response.

#### **POSITION: TOP=3 & BOTTOM=1:**

Shocks in a more leaned position will give a softer feel. This increases bump stability and front traction however, it decreases steering response.



### REAR SHOCK POSITION:

#### **POSITION: TOP=1 & BOTTOM=3:**

The straighter up and down the rear shocks are, the stiffer the feel. This decreases rear traction which increases steering, but gives less stability over bumps.

#### **POSITION: TOP=3 & BOTTOM=1:**

Leaning the rear shocks in decreases steering by providing more rear traction and increases bump stability.

## RIDE HEIGHT:

Adjust ride height by moving the top spring collar up or down on the shock body. Increasing ride height allows you to drive over larger obstacles but also raises the vehicle's center over gravity (C.O.G.). A higher (C.O.G.) means less stability. Decreasing ride height increases stability but decreases the size of the obstacles you can maneuver over.

## SHOCK OIL:

**Heavier weight shock oil** (bigger number) will provide more dampening and slow down the speed at which the shock travels. This will reduce chassis roll for more stability.

**Lighter weight shock oil** (smaller number) will offer less dampening allowing the shock to recover quicker. This is better for rough terrain but offers less high speed stability from increases chassis roll.



# SETUP TIPS

## UPPER LINK ADJUSTMENTS:

Adjusting the upper link effects the vehicle's "roll center". Adjusting "roll center" will effect the way the chassis rolls at its center of gravity.

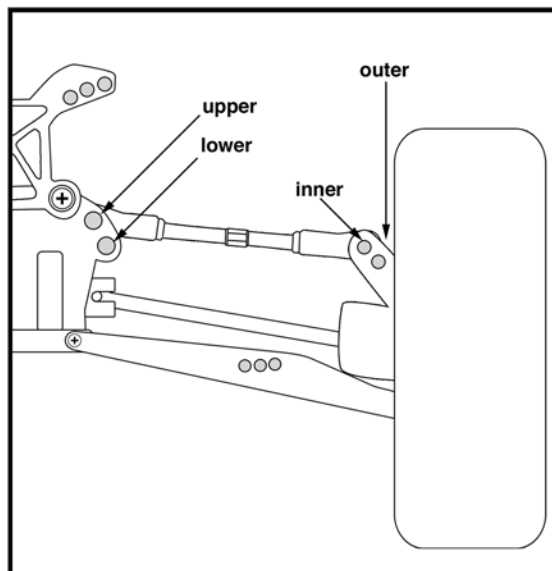
There are two mounting positions to chose from on the chassis side and hub carrier side of the upper link.

Two things to watch for are upper link length and upper link angle.

### **UPPER LINK LENGTH:**

The longer the upper link, the more the chassis wants to roll in turns. While chassis roll may not seem good, it adds traction in the turns. This is good for a loose track where much traction is needed.

The shorter the upper link, the less the chassis will roll. This is good for a high bite track where stability is needed.



### **UPPER LINK ANGLE:**

The angle of the upper links also effect chassis roll.

### **PARALLEL UPPER LINK:**

When the upper link is parallel (level) to the lower arm, the chassis has a tendency to roll more giving more cornering traction on low grip tracks.

### **ANGLED UPPER LINK:**

You must first understand, when I refer to an angled upper link, I'm referring to the inside of the link angling downward. This will give the vehicle a more stable feel with less overall traction. This is good for high bite tracks where stability is needed.

### **FRONT OR REAR:**

Keep in mind, changes made to the rear effect the rear and changes made to the front effect the front. Both front and rear traction effect the vehicles turn-ability. Less traction in the front will make the vehicle more difficult to steer, but less traction in the rear will make the vehicle steer more easily.

## TOE IN & OUT:

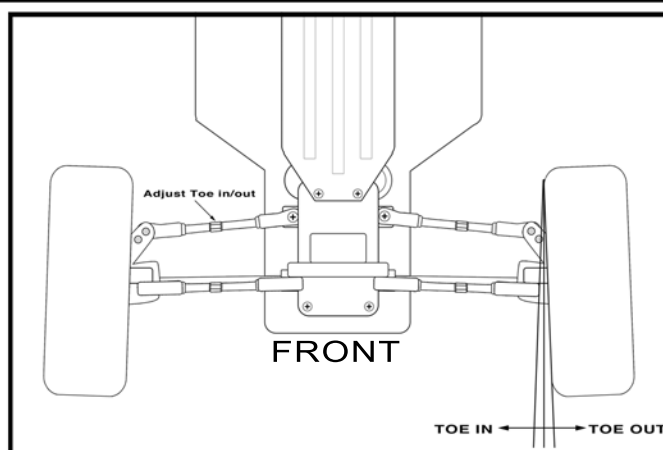
Toe in and out refers to whether the front of the tires are angled in or out.

### **TOE OUT:**

Toe out gives less straight line tracking (darty feel) but more steering. 2 degrees of toe out is usually good for the front.

### **TOE IN:**

Toe in gives less steering and more straight line tracking. 0-2 degrees of toe in are usually good for the rear.



# SETUP TIPS

## CAMBER:

Camber is the vertical angle at which the tires sit in relation to the ground.

### **NEGATIVE CAMBER:**

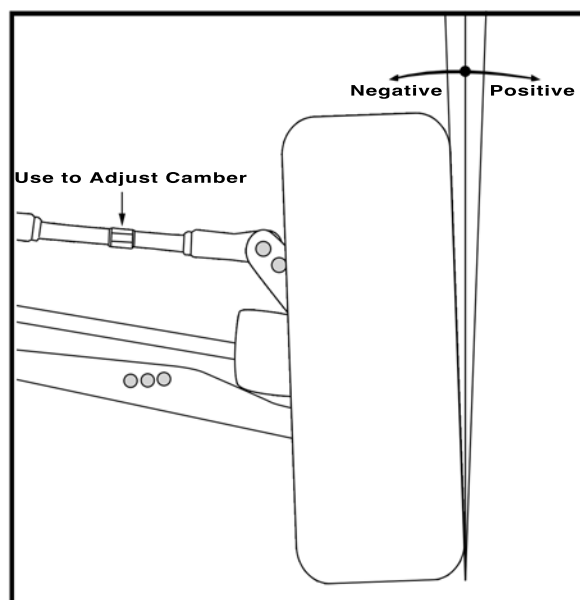
Adding little negative camber (1-2 deg.) will lean the tops of the tires inward providing more traction while cornering.

### **POSITIVE CAMBER:**

Adding little positive camber will lean the tops of the tires outward providing much less traction while cornering. Positive camber is usually not used.

### **NEUTRAL CAMBER:**

No camber added will set the tires straight up and down offering the most straight line traction but slightly decreased traction while cornering.



## SLIPPER CLUTCH ADJUSTMENTS:

### **INCREASING SLIP:**

The small nut on the end of the slipper clutch (large spur gear next to motor) allows you to tune the vehicles traction to your driving style.

Loosening the nut provides more clutch slip which reduces the amount of wheel spin. Over loosening the slipper clutch will cause the spur gear to slip too much resulting in high levels of heat from friction. This can ruin a gear quickly.

### **DECREASING SLIP:**

Tightening the small slipper nut will reduce gear slippage sending the power to the ground resulting in more wheel spin. The slipper clutch also acts to protect the inner gears from shock failure. This occurs when landing while on full throttle or hitting something while on throttle. Over tightening the slipper clutch will reduce that protection and will not save the inner gears in the spoken circumstances.

### **SETTING THE SLIPPER:**

The slipper should slip slightly (not easily) when rolling the vehicle while holding the spur gear. If it slips easily, it is too loose. If it will not slip at all, it is too tight.

## GEARING:

Gearing the vehicle down will provide more initial power and less top speed. Gearing the vehicle up will provide more top speed and less initial power.

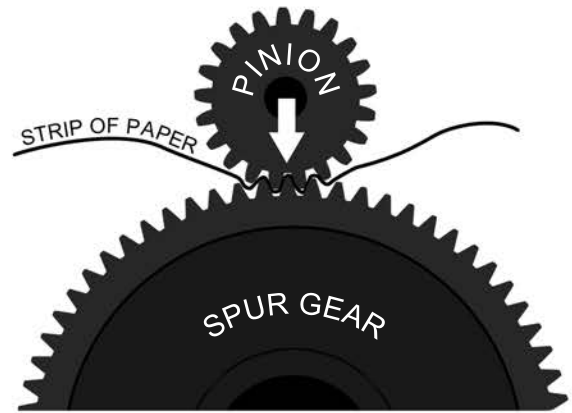
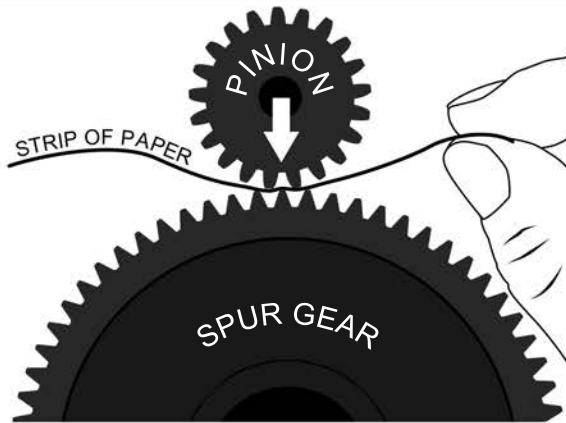
### **GEARING UP:**

There are two ways you can rear up for more speed. Increase the size (more teeth) of the pinion gear (small gear attached to the motor) or Decrease the size (less teeth) of the spur gear (large gear on the slipper clutch)

### **GEARING DOWN:**

There are two ways to gear the vehicle down for more power. Decrease the size (less teeth) of the pinion gear (small gear attached to motor) or increase the size (more teeth) of the spur gear (large gear on slipper clutch)

# SETTING GEAR MESH



*Proper gear mesh is very important. Improperly meshed gears will result in gear and/or motor, ESC, and battery failure.*

1. Loosen the motor mount screws, allowing the motor to slide, opening the gap between the pinion and spur gear.
2. Place a strip of paper between the pinion and spur gears.

3. Firmly press the pinion to the spur gear.
4. Ensure blue thread lock is on the motor mounting screws & lightly tighten each screw.
5. Check for movement between the two gears (fig.1) (fig.2) (fig.3) and tighten the motor mount screws completely. Alternate between screws as tightening.
6. Remove paper and check gear mesh. See (fig.1) (fig.2) (fig.3) below.

# TESTING GEAR MESH

**TOO LOOSE**



### Gears Are Too Loose:

There is too much movement between the two gears. (fig.1)

**RESULT:** Stripped gears.t

**GOOD**



### Gears Are Spaced Correctly:

**TEST:** Hold the pinion gear completely still. Place a finger nail on the spur gear and try to rock it back and forth. There should be a very small (almost no) amount of movement in the spur gear. (fig.2)

**TOO TIGHT**

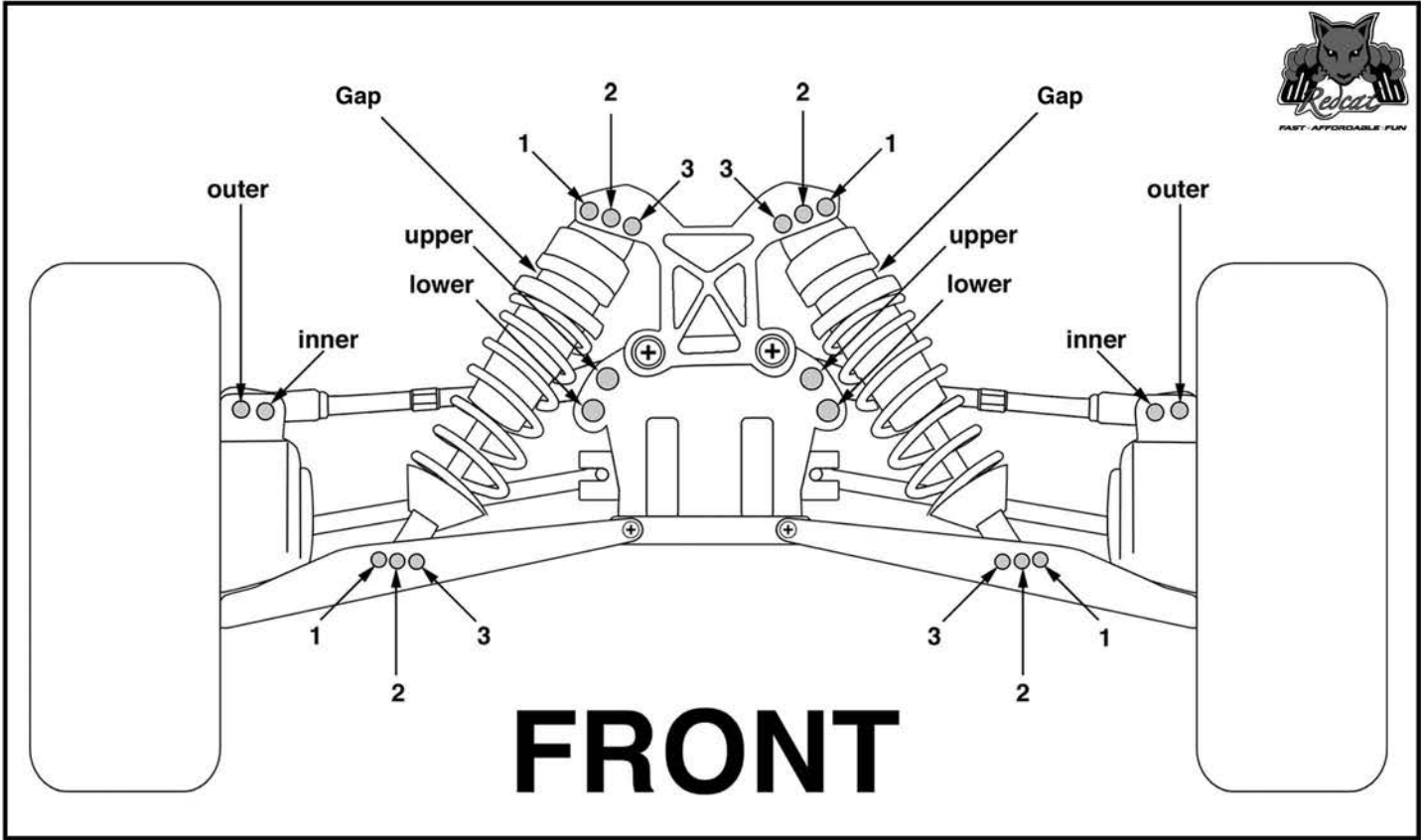


### Gears Are Too Tight:

There is no movement between the pinion and spur gear. (fig.3)

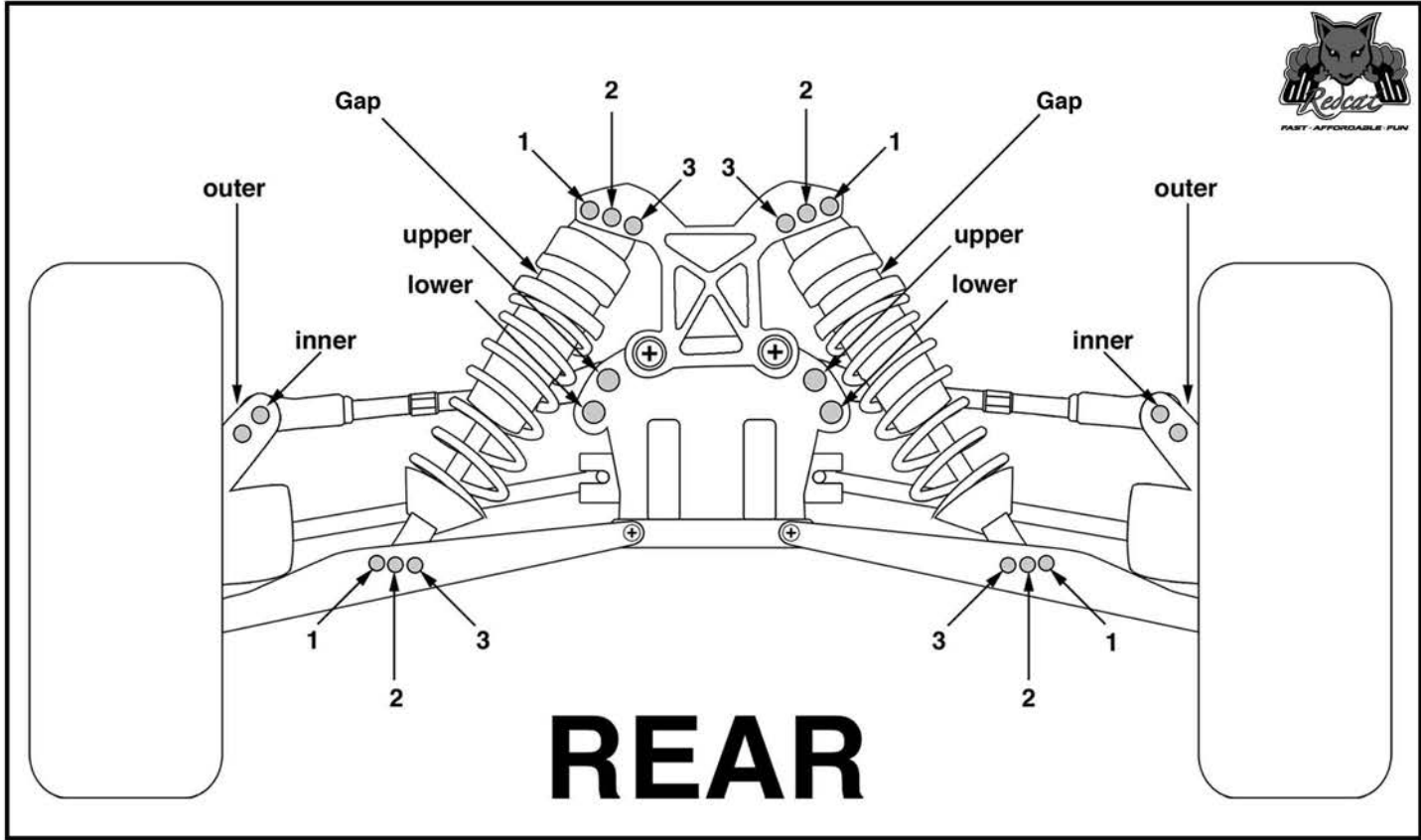
**RESULT:** Overheated and damaged motor, ESC, and/or battery.

# SETUP SHEET



<p><b>Shock Position:</b></p> <p style="margin-left: 40px;">Top: 1 <input type="checkbox"/> 2 <input type="checkbox"/> 3 <input type="checkbox"/></p> <p style="margin-left: 40px;">Bottom: 1 <input type="checkbox"/> 2 <input type="checkbox"/> 3 <input type="checkbox"/></p> <p><b>Shock oil:</b> _____ wt.</p> <p><b>Spring pre-load "Gap":</b> _____ in.</p> <p><b>Ride Height Rear:</b> _____ in.</p> <p><b>Piston inserts:</b> _____ (1, 2, or 3 holes)</p> <p><b>Front Diff Oil:</b> _____ wt.</p> <p><b>Center Diff Oil:</b> _____ wt.</p> <p><b>Tires:</b> _____.</p> <p><b>Inserts:</b> _____.</p>	<p><b>Upper Link Position:</b></p> <p style="margin-left: 40px;">Inside: Upper <input type="checkbox"/> Lower <input type="checkbox"/></p> <p style="margin-left: 40px;">Outside: Inner <input type="checkbox"/> Outer <input type="checkbox"/></p> <p><b>Camber Deg:</b></p> <p style="margin-left: 40px;">Negative: _____ degrees</p> <p style="margin-left: 40px;">Positive: _____ degrees</p> <p><b>Toe:</b></p> <p style="margin-left: 40px;">In: _____ degrees</p> <p style="margin-left: 40px;">Out: _____ degrees</p> <p><b>Additional notes:</b> _____</p> <p>_____</p> <p>_____</p> <p>_____</p> <p>_____</p> <p>_____</p>
--	--

# SETUP SHEET



**Shock Position:**

Top: 1  2  3   
 Bottom: 1  2  3

**Upper Link Position:**

Inside: Upper  Lower   
 Outside: Inner  Outer

Shock oil: \_\_\_\_\_ wt.

**Camber Deg:**

Negative: \_\_\_\_\_ degrees  
 Positive: \_\_\_\_\_ degrees

Spring pre-load "Gap": \_\_\_\_\_ in.

Ride Height Front: \_\_\_\_\_ in.

**Toe:**

In: \_\_\_\_\_ degrees  
 Out: \_\_\_\_\_ degrees

Piston inserts: \_\_\_\_\_ (1, 2, or 3 holes)

**Battery:**

LiPO: \_\_\_\_\_ Cell, \_\_\_\_\_ Mah, \_\_\_\_\_ C  
 NiMH: \_\_\_\_\_ Cell, \_\_\_\_\_ Mah, \_\_\_\_\_ C  
 LiFE: \_\_\_\_\_ Cell, \_\_\_\_\_ Mah, \_\_\_\_\_ C

Pinion Gear: \_\_\_\_\_ teeth

Spur Gear: \_\_\_\_\_ teeth

Spur Gear: metal  plastic

**Tires:** \_\_\_\_\_

**Inserts:** \_\_\_\_\_

Rear Diff Oil: \_\_\_\_\_ wt.