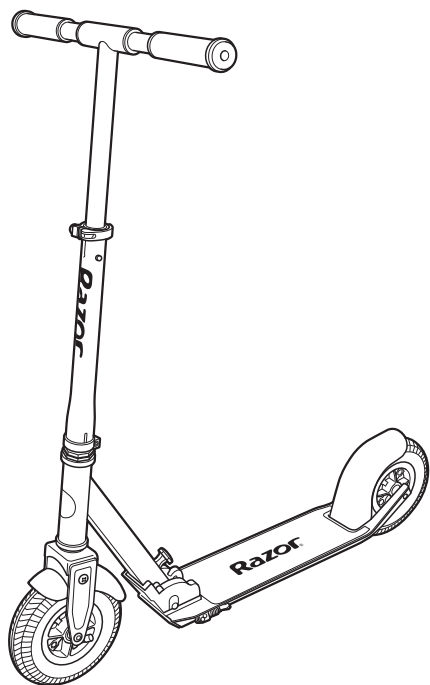
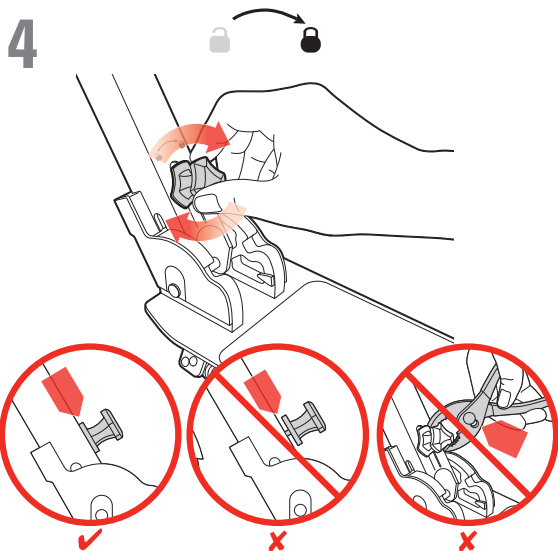
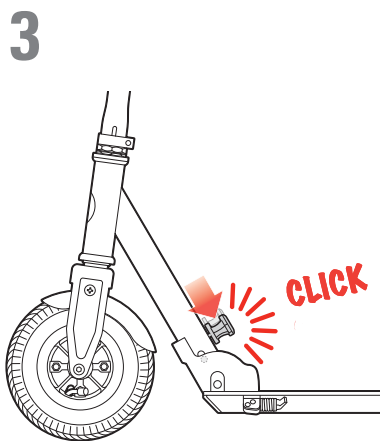
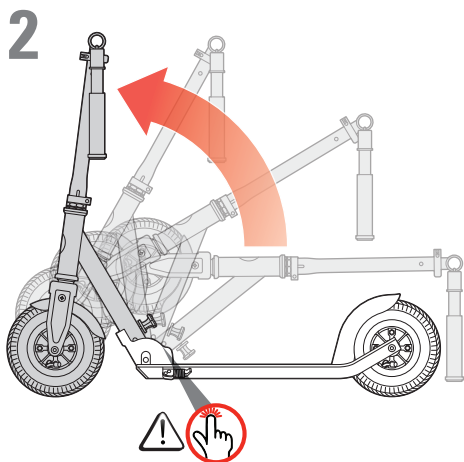
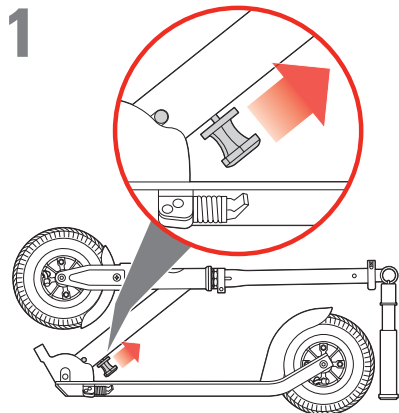
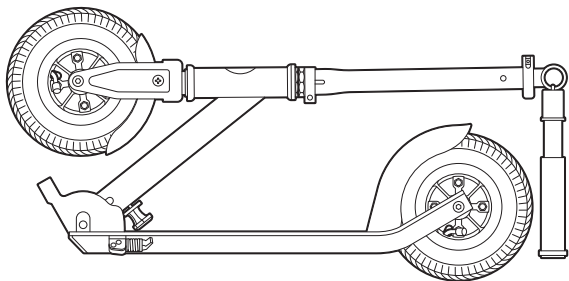




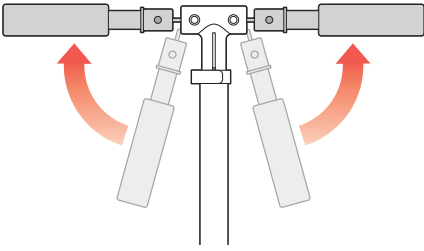
Read and understand this guide before using product.



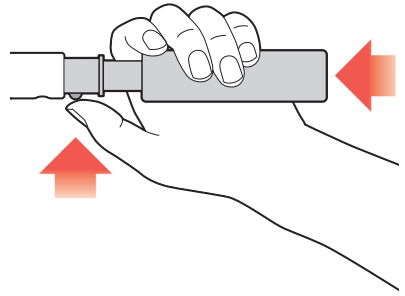
A5 AIR™ SCOOTERS



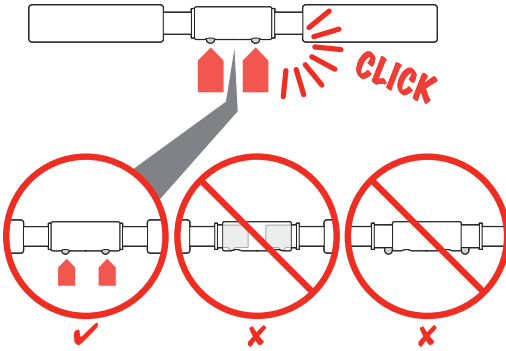
5



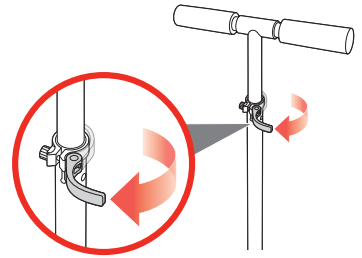
6



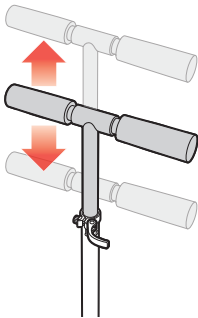
7



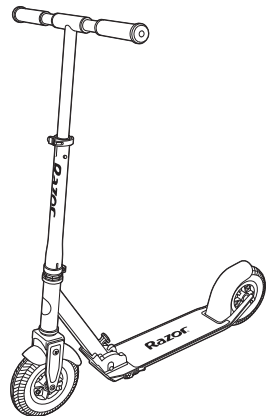
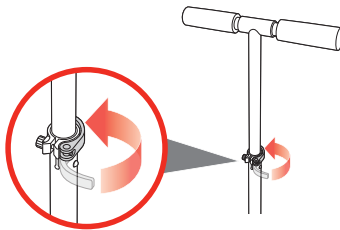
8

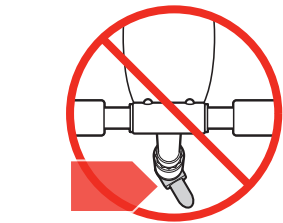


9

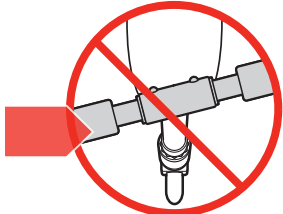


10



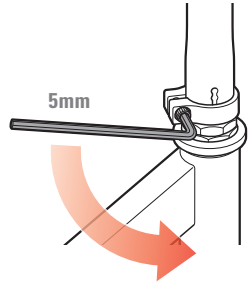


X

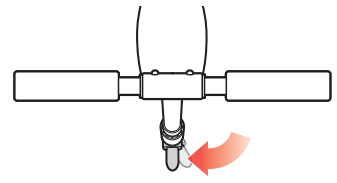


X

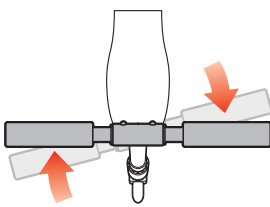
1



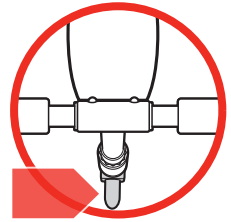
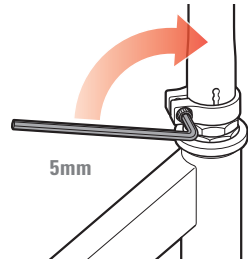
2



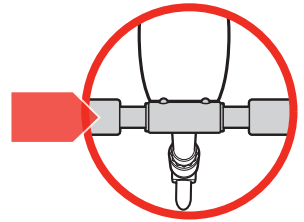
3



4

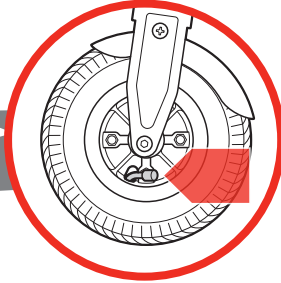
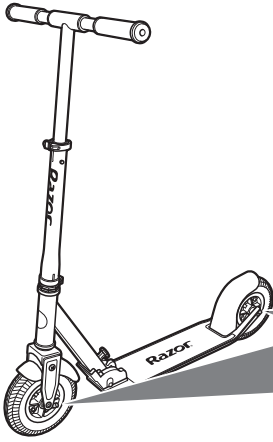


✓

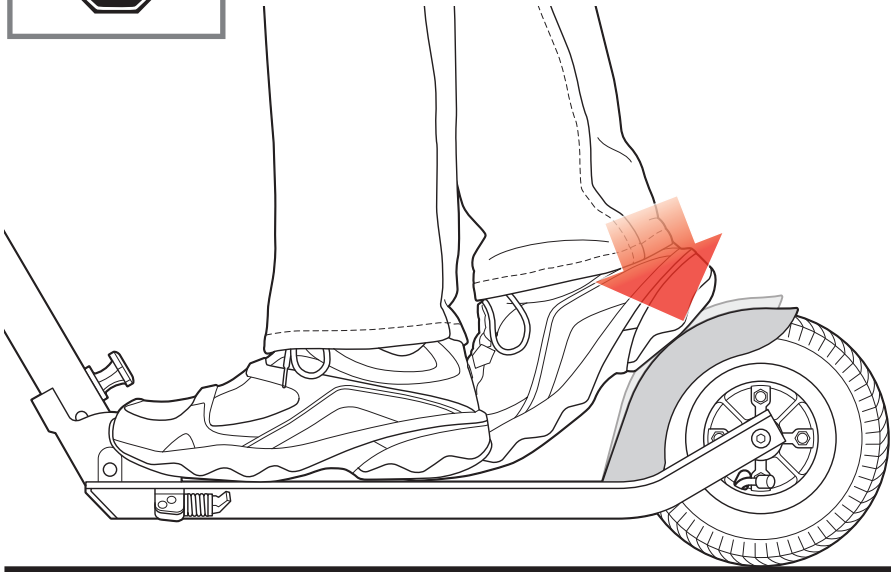
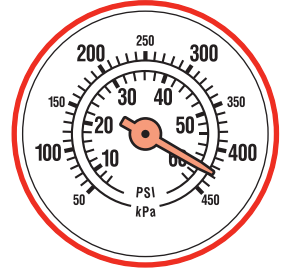


✓

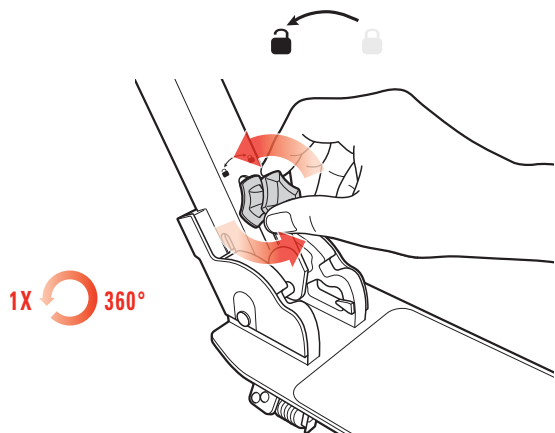
5



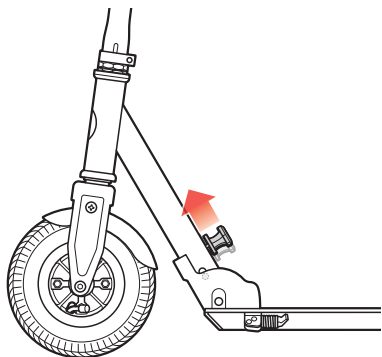
60 PSI
415 kPa



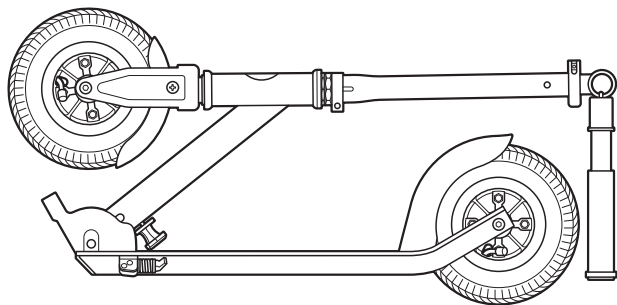
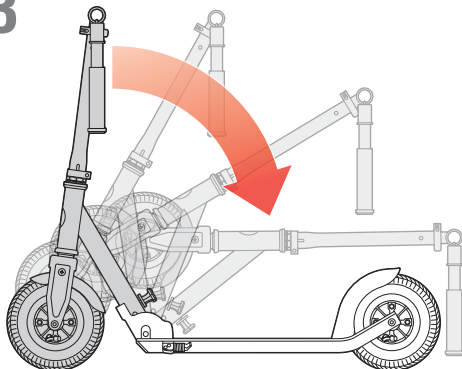
1



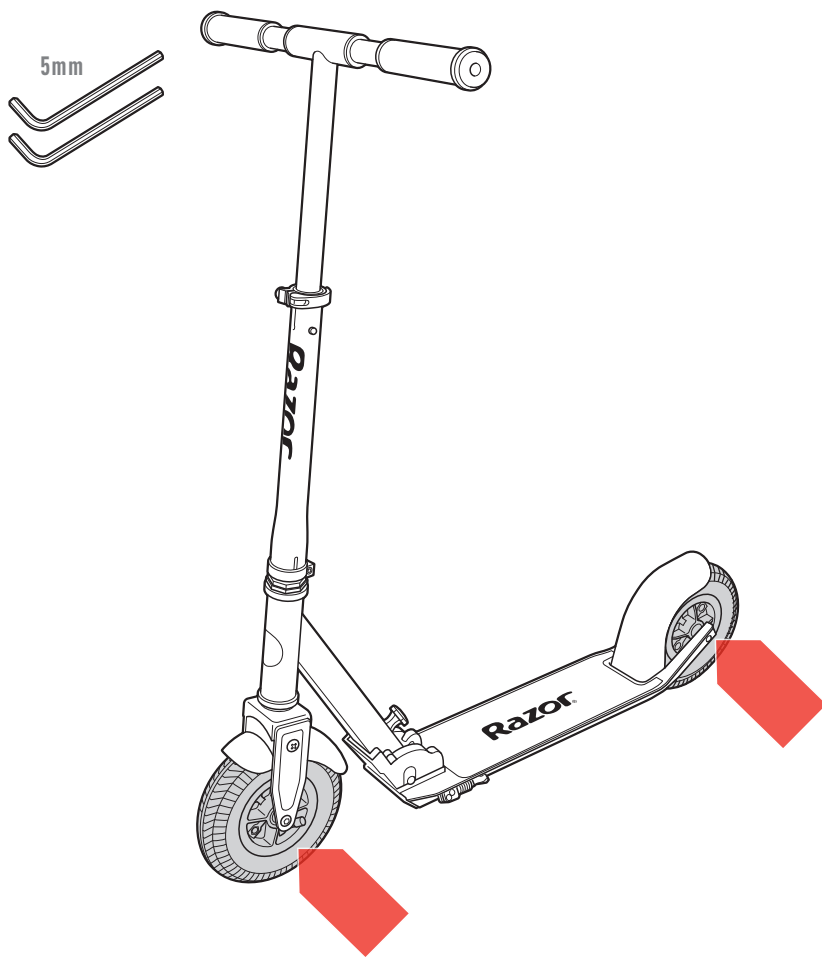
2



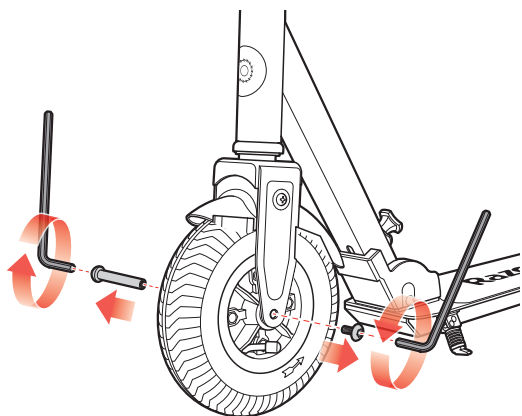
3



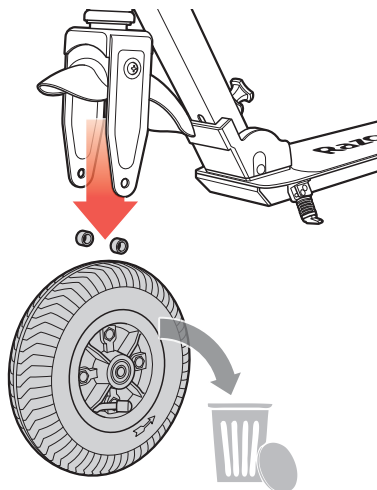
Front wheel replacement / Rear wheel replacement



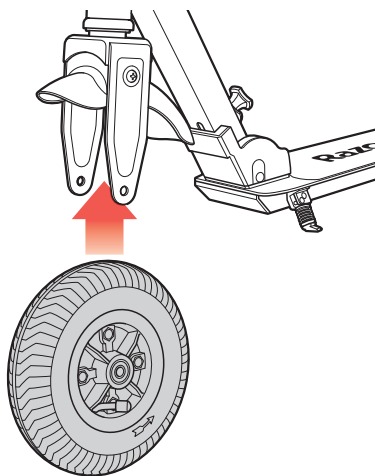
1



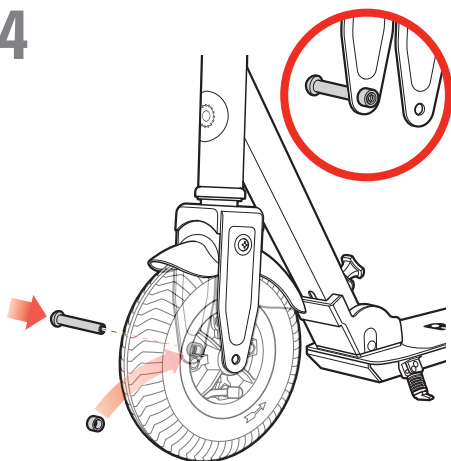
2



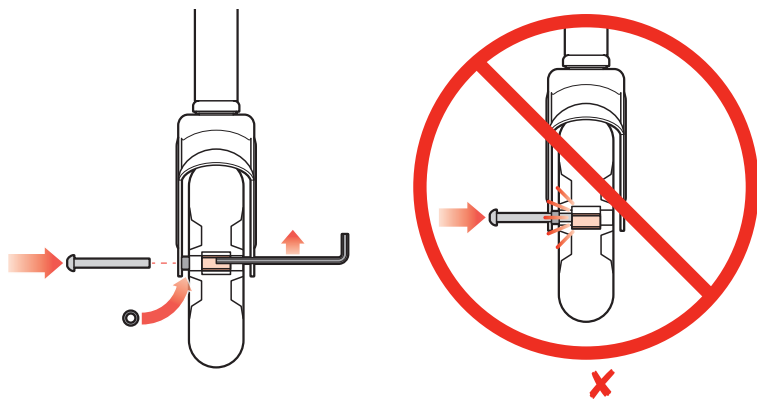
3



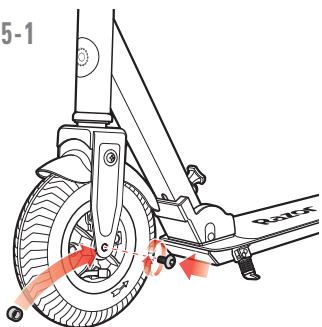
4



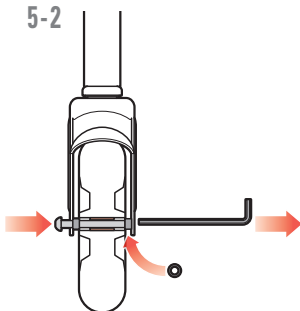
5



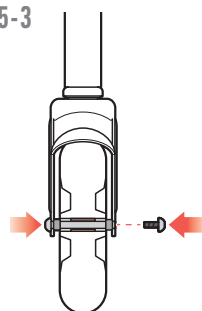
5-1



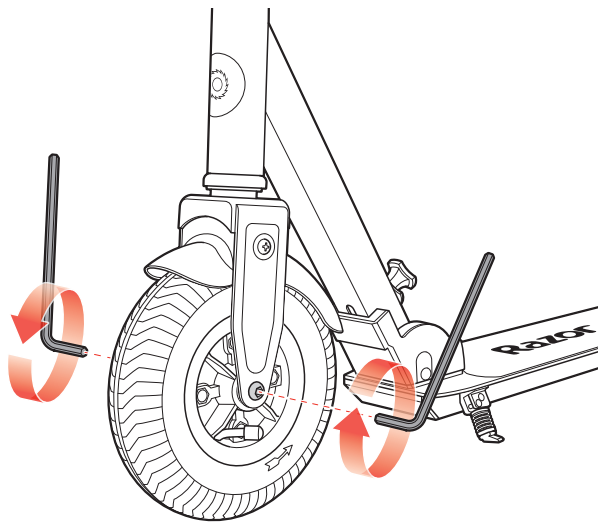
5-2



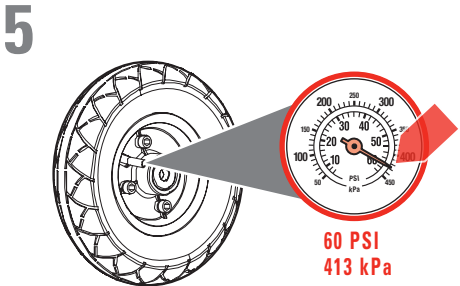
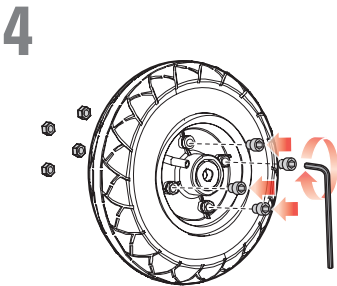
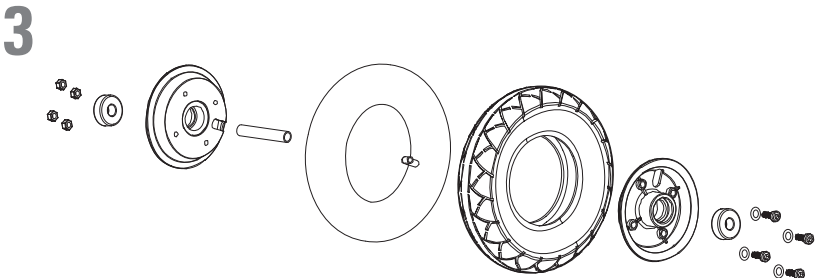
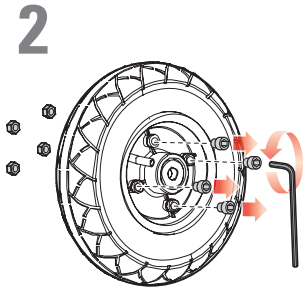
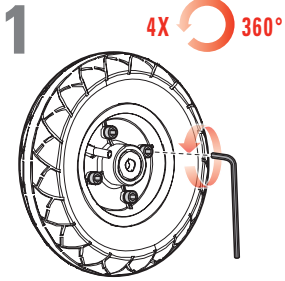
5-3



6



Replacing the Inner Tube





WARNING. To avoid serious injury:

- Adult supervision always recommended.
- Parents and carers should ensure that children are properly instructed in the use of this product.
- Hold handlebars at all times.
- Ride outdoors in places that allow you to improve your skills, and NEVER in traffic, on roads or near motor vehicles, where serious accidents can happen. Watch your surroundings for pedestrians, bike, skateboard, scooter and other riders. Use in areas free from hazards such as poles, hydrants, and parked cars.
- Wet weather impairs traction, braking and visibility.
- Never use near streets, swimming pools, hills, or steps. Use on smooth, dry, paved surfaces; avoid excessive speeds associated with downhill rides. Don't ride on loose debris (such as rocks, gravel or sand), or speed humps. Do not ride in the dark.
- Always wear shoes when using this product.
- Allow only one rider at a time on this product.
- Do not touch the brake after using, it will be hot.
- Like any other moving product, riding this product can be a dangerous activity and may result in injury even when used with proper safety precautions.
- While these are some of our strongest scooter products, that does not eliminate risks presented by scooter riding.

Age and Weight Limits

- Not for children under age 8.
- Maximum rider weight 100 kg.

Protective Equipment

- Always wear protective gear - helmet, elbow, knee and wrist guards (note parents should evaluate whether their child's use of wrist guards may impair their ability to hold handlebars).

Failure to heed product warnings, or to exercise caution, increases risk of injury!

Where and How to Ride

- Stop by pushing on brake with foot.
- Learn to fall (by rolling if possible) without the product.
- Learn with a friend or parent to help.
- Check local laws regarding where and how you may use your product.

Maintenance

- Always inspect product before riding and regularly maintain it. Replace worn or damaged parts immediately.
- Check that the steering system is correctly adjusted and that all connection components are firmly secured and not broken.
- Check brake for proper function. When you push on the brake with your foot, brake should provide positive braking action.
- Under normal circumstances and conditions, the wheels and bearings are maintenance free.
- Always be sure to check tires for excessive wear or damage before riding.
- Do not exceed the tires PSI rating. Over inflation will cause a rupture.
- Regularly check that the various screwed parts are tight.
- No modifications can be made that can impair safety.
- Wipe with a damp cloth to remove dirt.
- If repairs are needed, bring product to a bicycle repair shop.
- Use only authorized Razor replacement parts.

Failure to use common sense and heed the above warnings further increases risk of serious injury. Use at your own risk and with appropriate and serious attention to safe operation. Use caution.