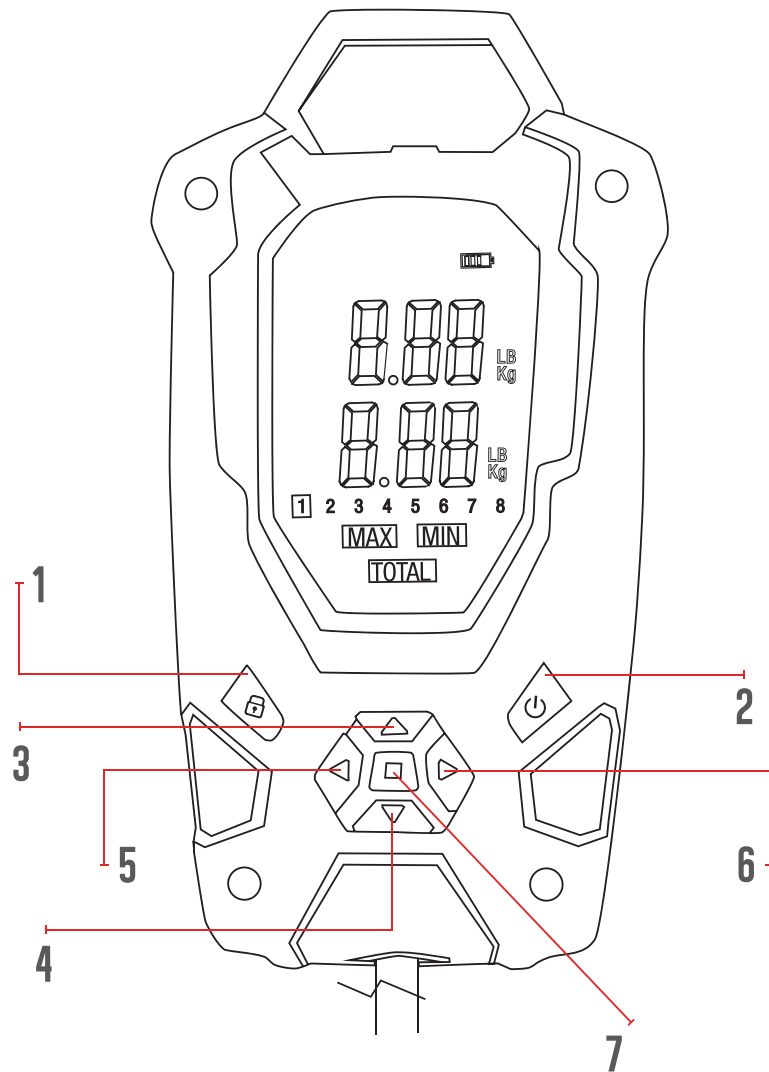




50lb. High Contrast

DIGITAL SCALE



TURN ON AND CHOOSE UNITS

00 lb. 00 oz. °F • 00.00 lbs. °F • 00.00 lbs. °C • 00.00 kg °C

- Press POWER button (2) for 3 seconds (until screen flashes)
- While screen is flashing press the POWER button (2) to cycle through the units. When desired units are shown on the display wait until flashing stops. Next time you turn on your scale the chosen unit will be set as default.

ADJUST SCALE TO ZERO (Tare Weight)

- Press and release POWER button (2).

MEASURE THE WEIGHT OF A FISH

- Add fish to the scale using the fish gripper or hook.
- The weight of the fish will show on the display.

STORE A WEIGHT INTO STORAGE BIN

After fish is on the scale and the weight of the fish is showing on the display:

- Press and release LOCK button (1). The weight will flash.
- Use directional pad arrows (5, 6) to select desired storage bin, 1-8, press and release center button (7) to save the weight.
- Weight will be shown in selected bin.
- Use these steps to REPLACE a fishes weight in a bin.

SEE STORED WEIGHTS

- Use directional pad arrows (3, 4, 5, 6) to view MAX, MIN and TOTAL weights.

DELETE WEIGHT STORED IN BIN

- Use directional pad to select desired storage bin. Press and release left and right arrows (5 & 6) simultaneously. The selected storage bin will flash.
- Press and release center button (7).
- Weight will be deleted in that selected storage bin.

DELETE WEIGHT STORED IN ALL BINS

- Set scale to entry screen where all storage bins are shown.
- Use directional pad. Press and release top and bottom arrows (3 & 4) simultaneously all storage bins will flash.
- Press and release center button (7).
- All weights will be deleted in storage bins.

TURN OFF

- Press POWER button for 6 seconds (until screen goes blank).