



**RACO** **TAYMAC** **BELL**

*Commercial, Industrial and Residential Electrical Products*

# TABLE OF CONTENTS

<b>RACO® Steel Boxes, Covers, and Accessories</b>	<b>A</b>
General Information .....	A2-A5
Box Selection .....	A6-A8
4" Square Boxes .....	A9-A19
4" Square Covers.....	A20-A24
4-11/16" Square Boxes .....	A25-A26
4-11/16" Square Covers.....	A27-A29
Life Safety Support Products .....	A30-A31
Large Capacity Boxes and Covers.....	A32-A33
Ceiling Fan and Fixture Support Products.....	A34-A36
Ceiling Pans .....	A36
3-1/2" Octagon Boxes .....	A37
4" Octagon Boxes .....	A38-A41
Round Covers for Octagon Boxes.....	A42-A43
Handy Boxes and Covers .....	A44-A45
Two Device Handy/Switch Boxes and Covers .....	A46
3" x 2" Switch Boxes.....	A47-A51
Shallow Switch Boxes.....	A52
Multi-Device Switch Boxes .....	A53
Multi-Gang Boxes and Covers .....	A54-A56
Concrete Rings and Covers .....	A57
Masonry Boxes and Support .....	A58-A59
Box Support Products .....	A60-A62
Accessories for Steel Boxes .....	A63-A64
Protector Plates.....	A65
Box Grounding Products .....	A66
Product Drawings .....	A67-A72

<b>RACO® Nonmetallic Cable Boxes</b>	
General Information .....	A74
Nonmetallic Cable Boxes.....	A75-A82
Nonmetallic Cable Boxes/Vapor Barriers ....	A83
Product Drawings.....	A84-A85

<b>RACO® Floor Boxes</b>	
Standards & 2014 NEC .....	A88-A89
Quick Selection Guide.....	A90-A91
Floor Boxes .....	A92-A102
Product Drawings.....	A103-A104

<b>RACO® Commercial Fittings</b>	<b>B</b>
General Information .....	B2
EMT Fittings .....	B3-B23
Rigid/IMC Fittings .....	B24-B46

Liquidtight Conduit & Cord Connectors.....	B47-B60
Flexible Metal Conduit Fittings.....	B61-B67
Armored Cable Connectors .....	B68-B70
Metal Clad Cable Connectors .....	B71-B74
Nonmetallic Sheathed Cable Connectors .....	B75-B77
Service Entrance Fittings .....	B78-B82
Grounding Fittings .....	B83
Conduit Support Products .....	B84-B85
Miscellaneous Fittings .....	B86-B90
Product Drawings.....	B91-B128

<b>TAYMAC® Weatherproof Covers, Conduit Bodies, and Service Entrance Heads</b>	<b>C</b>
General Information .....	C2-C3
Non-Metallic While-In-Use Covers.....	C4-C5
Non-Metallic Flat Covers .....	C6
Non-Metallic Low Profile While-in-use Covers .....	C7
Non-Metallic Receptacle/Cover Combos and Kits.....	C8
Metal Receptacle/Cover Combos and Kits....	C9
Metal While-In-Use Covers .....	C10
Metal Low Profile While-In-Use Covers .....	C11
Weatherproof Accessories.....	C12
Conduit Bodies.....	C13
Service Entrance Heads.....	C14
Product Drawings.....	C15-C25

<b>BELL® Weatherproof Boxes, Covers and Lighting</b>	<b>D</b>
General Information .....	D2-D3
Single-Gang Boxes .....	D4
Single-Gang Extensions & Adapters.....	D5
Two-Gang Boxes .....	D6
Multi-Gang Boxes & Extensions.....	D7
Round Splice Boxes & Extension Adapters....	D8
Round Blank Covers .....	D9
RaynGuard® Metal While-In-Use Cover .....	D10
Metal Single-Gang Device Covers.....	D11-D14
Metal Two-Gang Device Covers .....	D15-D17
Metal Three-Gang Device Covers.....	D18
Device Kits .....	D19
Metal Blank Covers .....	D20
Metal Toggle Switch Covers.....	D21
Metal Lampholder/Cluster Covers .....	D22

Metal Lampholders.....	D23
Metal Bullet Lampholder and Portable Lampholders .....	D24
Metal Lamholder Combos.....	D25
Metal Light Kits.....	D26
Metal Garden Lights.....	D27
Weatherproof Accessories.....	D28-D29
Non-Metallic Boxes.....	D30
Non-Metallic Covers .....	D31
Non-Metallic Lighting.....	D32
Non-Metallic Accessories .....	D33
Product Drawings.....	D34-D49

<b>TAYMAC® Wallplates and HVAC</b>	<b>E</b>
General Information .....	E2
Standard Metal Wallplates - White Smooth .....	E3
Standard Metal Wallplates - White Textured.....	E4
Standard Metal Wallplates - Ivory Smooth.....	E5
Standard Metal Wallplates - Ivory Textured/Red Smooth .....	E6
Standard Metal Wallplates - Stainless Steel .....	E7
Maxi/Princess Metal Wallplates - White Smooth .....	E8-E9
Maxi/Princess Metal Wallplates - White Textured.....	E10
Maxi/Princess Metal Wallplates - Ivory Smooth.....	E11
Maxi/Princess Metal Wallplates - Ivory Textured .....	E12
Jumbo Metal Wallplates .....	E13
Plastic Wallplates - Masque® .....	E14-E15
Plastic Wallplates - Decorator Cover® .....	E16
Plastic Wallplates - Allure™ .....	E17-E18
Low Profile Thermostat Covers .....	E19
Air Deflectors.....	E20
Product Drawings.....	E21-E24

<b>Appendix</b>	<b>G</b>
Glossary of Electrical Industry Terms .....	G1-G4
Product Category Index.....	G5-G6
Catalog Number Index.....	G7-G17

**RACO® STEEL BOXES, COVERS AND ACCESSORIES**

A





STANDARDS, 2014 NATIONAL ELECTRICAL CODES®

**Applications: Steel Boxes**

RACO® high-quality steel boxes:

- Are used in branch circuit wiring
- Accommodate wiring devices, such as switches and receptacles
- Most may also serve as fixture supports
- Provide excellent protection for wiring system or devices
- Must be closed with a cover, light fixture canopy or wallplate
- Permit access to conductors for maintenance
- Allow for branch circuit runs
- Provide two-hour fire rating for 4x4 or smaller wall opening

**Product Features: Outlet Boxes for Fixture or Fan Support**

These high-quality boxes:

- Are listed to support lighting fixture canopies or fans
- Feature oversized #10 screws to provide strength and rigidity

**Product Features: TKO® Knockouts**

- TKO® knockouts offer greater flexibility with RACO® combination 1/2" and 3/4" knockout
- Stock just one product instead of two or three
- One product for the installer to carry

**TKO® Provides Reliable Grounding Path**

- Independent tests conducted by UL prove that the TKO passes the same high-current fault test used to test grounding bushings and ground lugs
- RACO® TKO knockout is UL Listed, providing bonding without the use of bonding jumpers
- Suitable for bonding without any additional bonding means around concentric (or eccentric, TKO) knockouts where used in circuits above or below 250V
- This knockout does not impair the electrical connection to ground

**Most Raco® Boxes Have At Least One Tapped #10-32 Grounding Hole**

- The products that do not have a grounding screw hole are: plenum boxes catalog numbers 226 and 239

**Product Features: Combination Screw Heads**

- Cover and clamp screws have combination slotted/Phillips heads
- Self-tapping screws provide for 100% thread engagement

**Metallic Boxes: Fire Resistance Rating Wall Penetrations\***

Listed single- and double-gang metallic outlet and switch boxes with metallic or nonmetallic cover plates, also 4x4 and octagon boxes may be used in bearing and non-bearing wood stud and steel stud walls with ratings not exceeding two hours.

The surface area of individual metallic outlet or switch boxes shall not exceed 16 square inches through a fire rated wall. The aggregate surface area of the boxes shall not exceed 100 square inches per 100 square feet. Boxes located on opposite sides of walls or partitions shall be separated by a horizontal distance of 24 inches.

The metallic outlet or switch boxes shall be securely fastened to the studs, and the opening in the wallboard facing shall be cut so that the clearance between the box and the wallboard does not exceed 1/8 inch.

\* Reference: UL Fire Resistance Directory (Orange Book)

**Standard Material: Steel Covers, Outlet And Switch Boxes**

- Steel boxes and covers are made of .0625 inch thick pre-galvanized sheet steel
- Handy Box covers are made of .030 inch thick galvanized sheet steel

**Compliances**

RACO® steel boxes and covers generally carry the following compliance ratings. Check specific catalog pages for individual compliances.

- UL Listed – Standard 514-A, file E195978 (“QCIT” Category)
- Boxes and covers are listed for their Electrical Applications (electrical codes), UL Electrical Construction Equipment Online Directory (electrical codes).
- Boxes are listed for Fire Resistance Directory, including the Two-Hour Fire Rating, (building codes) UL Orange Book
- UL Classified Standard – UL263 file R16536, CEYY, QBWY
- CSA Certified – C22.2 #18, CSA File LR-1082
- ANSI/NEMA OS1
- Federal Manufacturer’s number 28488



The National Electrical Manufacturers Association (NEMA) website is a valuable electrical resource providing the information you need - quickly.

**RACO® UL Guide Cards**

You can download and print out any or all UL Guide Cards issued to RACO®. Every RACO UL guide card is listed by product category. Click on the live link (right hand column in blue type) and the UL Guide Card will appear. Save to your computer or print it out.

**UL Guide Information Pages**

UL publishes the most frequently asked questions concerning product ratings, configurations, installations, uses allowed or not allowed, grounding and bonding, and much more. Each UL category has a unique Guide Information Page. Live links to each UL Guide Information Page appears just below the RACO UL guide card for each product category.

## STANDARDS, 2014 NATIONAL ELECTRICAL CODE®

**Wiring Capacity: Steel Outlet and Switch Boxes; Cubic Inches****Maximum Number of Conductors or Minimum Size Box Required – National Electrical Code Article 314.16 (A and B) also table 314.16(A)**

The purpose of NEC® Article 314.16 is to determine the maximum conductor count or the minimum box size required for an application. It also may be used to determine how many other conductors may be added without exceeding the Code-prescribed limit. Most applications have determined the number of conductors. The question that then remains is the smallest (minimum) size box that is permitted. The rules of Article 314.16 are to be used to determine the Code-recognized limit.

Selection of an outlet or junction box for use in an electrical circuit work must take into consideration the maximum number of wires permitted in the box. Safe electrical practice demands that wires not be jammed into boxes because of the possibility of nicks, abrasions or other damage to the insulating material, creating the potential for ground faults or short circuits.

**Article 314 – Boxes and Fittings****NEC® 314.16 (A and B) also table 314.16(A). Number of Conductors in Outlet, Device, and Junction Boxes, and Conduit Bodies.**

Boxes shall be of sufficient size to provide free space for all enclosed conductors. In no case shall the volume of the box, as calculated in (a) below, be less than the fill calculation as calculated in (b) below. The minimum volume for conduit bodies shall be as calculated in (c) below.

The provisions of this section shall not apply to terminal housings supplied with motors. See Section 430.12.

Boxes and conduit bodies enclosing conductors, size #4 or larger, shall also comply with the provisions of Section 314-28.

**(a) Box Volume Calculations.** The volume of a wiring enclosure (box) shall be the total volume of the assembled sections, and, where used,

the space provided by plaster rings, domed covers, extension rings, etc., that are marked with their volume in cubic inches or are made from boxes the dimensions of which are listed in Table 314.16(A).

**(1) Standard Boxes.** The volume of standard boxes that are not marked with a cubic inch capacity shall be as given in \*Table 314.16(A).

**(2) Other Boxes.** Boxes 100 cubic inches (1,640 cu. cm<sup>3</sup>) or less, other than those described in table, and nonmetallic boxes shall be durably and legibly marked by the manufacturer with their cubic inch capacity. Boxes described in table that have a larger cubic inch capacity than is designated in the table shall be permitted to have their cubic inch capacity marked as required by this section.

**(b) Box Fill Calculations.** The volumes in paragraphs (1) through (5) below, as applicable, shall be added together. No allowance shall be required for small fittings such as locknuts and bushings.

**(1) Conductor Fill.** Each conductor that originates outside the box and terminates or is spliced within the box shall be counted once, and each conductor that passes through the box without splice or termination shall be counted once. The conductor fill, in cubic inches, shall be computed using Table 314.16(B)(1). A conductor, no part of which leaves the box, shall not be counted.

*Exception: Where an equipment grounding conductor or not over four fixture wires smaller than #14, or both, enter a box, from a domed fixture or similar canopy and terminate within that box, it shall be permitted to omit these conductors from the calculations.*

**(2) Clamp Fill.** Where one or more internal cable clamps, whether factory or field supplied, are present in the box, a single volume allowance in accordance with NEC® 314.16(B)(2) shall be made based on the largest conductor present in the box. No allowance shall be required for a cable connector with this clamping mechanism outside the box.

**(3) Support Fittings Fill.** Where one or more fixture studs or hickey are present in the box,

a single volume allowance in accordance with NEC® 314.16(B)(3) shall be made for each type of fitting based on the largest conductor present in the box.

**(4) Device or Equipment Fill.** For each yoke or strap containing one or more devices or equipment, a double volume allowance in accordance with NEC® 314.16(B)(4) shall be made for each yoke or strap based on the largest conductor connected to a device(s) or equipment supported by that yoke or strap.

**(5) Equipment Grounding Conductor Fill.** Where one or more equipment grounding conductor(s) enter(s) a box, a single volume allowance in accordance with Table 314.16B shall be made based on the largest equipment grounding conductor present in the box. Where an additional set of equipment grounding conductors, as permitted by NEC® 314.16(B)(5) are present in the box, an additional volume allowance shall be made based on the largest equipment grounding conductor in the additional set.



STANDARDS, 2014 NATIONAL ELECTRICAL CODES®

MOST OFTEN REQUESTED SECTIONS OF THE NATIONAL ELECTRICAL CODE®	HOW RACO® PRODUCTS HELP COMPLETE THE INSTALLATION
<p><b>250.97 Method of Bonding Service Equipment — Bonding Jumpers.</b> Bonding jumpers are <u>not</u> required for concentric and eccentric knockouts <u>if</u> they are listed for the purpose.</p>	<p>This Section is used to ensure that there is ground continuity when a concentric or eccentric knockout is incorporated in a box. A bonding jumper is not required when using any of the RACO® patented TKO® knockout boxes, Catalog Numbers 189, 232, etc.</p>
<p><b>314.27 (A) Boxes at Lighting Fixture Outlets.</b> Boxes to support light fixtures must be listed for fixture support.</p>	<p>Device boxes use #6-32 screws to secure devices such as snap-switches and receptacles. They are not suitable for support of other than very lightweight lighting fixtures, such as some wall-bracket types.</p>
<p><b>314.27 (B) Floor Boxes.</b> Boxes listed specifically for this application shall be used for receptacles located in the floor. Exception: Boxes located in elevated floors of show windows and similar locations where the authority having jurisdiction judges them free from physical damage, moisture and dirt.</p>	<p>Only boxes that are UL Listed for the application may be fastened into the floor. RACO® floor boxes are in Section A of this catalog.</p>
<p><b>314.27 (C) Boxes at Fan Outlets.</b> Boxes that support ceiling fans must be listed for that purpose.</p>	<p>For any ceiling outlet that is intended to have a ceiling (paddle) fan installed, a UL Listed outlet box rated for ceiling fan support must be installed. RACO® offers a complete line of products designed for various applications and mounting needs.</p>
<p><b>314.16 (A)(3) Space for Conductors.</b> Canopies and outlet boxes taken together shall provide adequate space so that fixture conductors and their connecting devices can be properly installed.</p>	<p>When calculating the minimum cubic inch requirements for an outlet box, the canopy may be included in the calculation at the discretion of the Authority Having Jurisdiction. If the canopy of the fixture/fan is marked with the cubic inch capacity, then the additional volume must be accepted by the Authority Having Jurisdiction.</p>
<p><b>314.27 (B) Maximum Luminaire Weight.</b> Fixtures greater than 50 pounds cannot be supported by a fixture box unless additional independent support is provided.</p>	<p>All outlet boxes that are intended to be used with fixtures are tested in accordance with UL Standard 514A.</p>
<p><b>250.146 (A) Surface-Mounted Box.</b> Where the box is mounted on the surface, direct metal-to-metal contact between the device yoke and the box or a contact yoke or device that complies with 250.146(B) shall be permitted to ground the receptacle to the box.</p>	<p>This new method provides better bonding for the cover. RACO flat corner covers and mud rings comply.</p>

STANDARDS, 2014 NATIONAL ELECTRICAL CODES®

MOST OFTEN REQUESTED ARTICLES OF THE 2014 NATIONAL ELECTRICAL CODE®	HOW RACO® PRODUCTS HELP COMPLETE THE INSTALLATION
<p><b>800.133 Exception (A)(1)(d) Installation of Communications Wires, Cables and Equipment – Electric Light or Power Circuits.</b>                      Communications conductors shall not be placed in any raceway, compartment, outlet box, junction box, or similar fitting with conductors or electric light or power circuits or Class 1 circuits.</p>	<p>When power and voice/data are brought to one enclosure, a means of dividing the wiring is required. Voltage barriers are available on the following box types: 4" and 4-11/16" square boxes, three- and four-gang switch boxes, masonry boxes, and gang boxes.</p>
<p><b>406.12, 406.13, 406.14 Tamper-resistant Receptacles in Dwelling Units, Guest Rooms and Child Care Facilities.</b>                      In all areas specified in 210.52, all 125 volt, 15 and 20 amp receptacles shall be listed tamper-resistant receptacles.</p>	<p>This is to prevent shocks of small children that like to insert keys, paper clips, etc. into the receptacle slots.</p>
<p><b>314.24 (B) Depth of Boxes.</b> Minimum depth of boxes for outlets, devices, and utilization equipment.</p>	<p>Boxes must be a minimum depth depending on their use and/or are required to have a minimum clearance behind the device or equipment of per 314.24 (B).</p>



**CALCULATE THE MINIMUM SIZE BOX**

NEC® 314.16 (A) and (B) describes the detailed way of counting wires, as well as clamps, fittings or devices (i.e., switches, receptacles, combination devices) – by establishing an equivalent conductor value for each. Those values are added together to get a total number of conductors. The minimum size box is the smallest one in Table 314.16(A) that can accommodate that number of conductors.

1. No matter how many ground wires come into a box, they only count as one conductor within the box.
2. Any wire running unbroken through the box counts as one wire.
3. Each wire coming into a splice device (crimp or twist-on type) is counted as one wire.
4. Each wire coming into the box and connecting to a device counts as one wire of that size.

5. Fixture studs, cable clamps and hiccys are to be counted as one regardless of how many there may be. If a box contains two cable clamps, the total is only to be increased by one.

6. Where devices are mounted in the box, the total conductor count must be increased by two for each mounting strap.

**Example #1: – Conduit Boxes:** Supply power to a switch that will control a remote light with #14 conductors. Metal conduit and fittings will be used as the wire way. You must provide space for four conductors and one switch, totaling 6. Read across the line “Allowances” in the **Box Fill** table to column 6, then read down to the minimum cubic inches required for #14 conductor. This example requires a minimum of 12.0 cubic inches.

**Example #2: – Cable Boxes:**

This example will illustrate how the minimum size is determined for a box with cable clamps fed by two #12-2 nonmetallic sheathed cables and supplying a 15A duplex receptacle. After supplying the receptacle, the conductors are extended to other outlets.

Circuit conductors.....	4
Ground conductors .....	1
Cable clamps .....	1
Device (receptacle).....	2
<b>Total.....</b>	<b>8</b>

Using the **Box Fill** table from the next page, read across the line “Allowances” to column 8, then down to the minimum cubic inches required for #12 conductor. This example requires a minimum of 18.0 cubic inches.

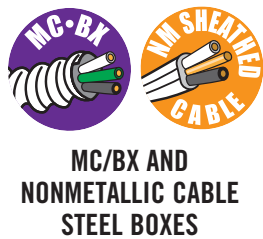
**STEEL BOX SELECTION CHART**

<b>CUBIC INCHES:</b>	42.0	30.3	29.5	21.5	21.0	18.0
----------------------	------	------	------	------	------	------



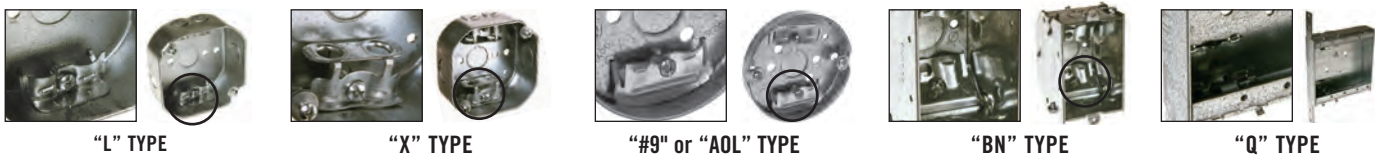
<b>4-11/16" Sq.</b> 2-1/8" Deep (inside)	<b>4" Sq.</b> 2-1/8" (Depth Inside)	<b>4-11/16" Sq.</b> 1-1/2" (Depth Inside)	<b>4" Oct.</b> 2-1/8" (Depth Inside)	<b>4" Sq.</b> 1-1/2" (Depth Inside)	<b>Switch</b> 3-1/2" (Depth Inside)	

<b>CUBIC INCHES:</b>	30.3	21.5	21.0	18.0
----------------------	------	------	------	------



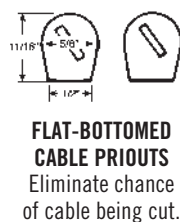
<b>4" Sq.</b> 2-1/8" (Depth Inside)	<b>4" Oct.</b> 2-1/8" (Depth Inside)	<b>4" Sq.</b> 1-1/2" (Depth Inside)	<b>Switch</b> 3-1/2" (Depth Outside)

**CLAMP TYPES**

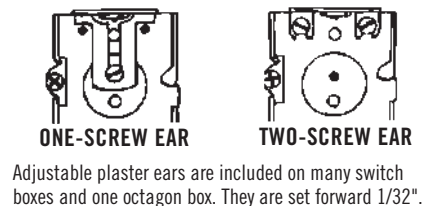


**KNOCKOUTS AND PRIOUTS**

	<b>1/2" CONDUIT KO</b>		<b>1" CONDUIT KO</b>	
	<b>3/4" CONDUIT KO</b>		<b>TKO® CONDUIT KO</b>	<b>CABLE PRIOUTS</b> Always in pairs.



**PLASTER EARS**





BOX FILL

Conductor Size (AWG)	Volume Per Conductor		ALLOWANCES								
	cm <sup>3</sup>	in. <sup>3</sup>	6	7	8	9	10	11	12	13	14
#18	24.6	1.50	9.00	10.50	12.00	13.50	15.00	16.50	18.00	19.50	21.00
#16	28.7	1.75	10.50	12.25	14.00	15.75	17.50	19.25	21.00	22.75	24.50
#14	32.8	2.00	12.00	14.00	16.00	18.00	20.00	22.00	24.00	26.00	28.00
#12	36.9	2.25	13.50	15.75	18.00	20.25	22.50	24.75	27.00	29.25	31.50
#10	41.0	2.50	15.00	17.50	20.00	22.50	25.00	27.50	30.00	32.50	35.00
#8	49.2	3.00	18.00	21.00	24.00	27.00	30.00	33.00	36.00	39.00	42.00
#6	81.9	5.00	30.00	35.00	40.00	45.00	50.00	55.00	60.00	65.00	70.00

16.5



**Handy**

2-1/8" (Depth Inside)

15.5



**4" Oct.**

1-1/2" (Depth Inside)

14.0



**Switch**

2-3/4" (Depth Outside)

13.0



**Handy**

1-7/8" (Depth Outside)

12.5



**Switch**

2-1/2" (Depth Outside)

6.0



**4" Rnd. Pan**

1/2" (Depth Inside)



15.8



**Switch**

2-9/64" (Depth Outside)

15.5



**4" Oct.**

1-1/2" (Depth Inside)

14.0



**Switch**

2-3/4" (Depth Outside)

12.5



**Switch**

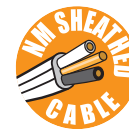
2-1/2" (Depth Outside)

4.0



**3-1/2" Pan**

1/2" (Depth Inside)



CLAMP TECHNICAL DATA

CLAMP TYPE	RACEWAY TYPE					
	ARMORED CABLE (BX)		METAL CLAD CABLE INTERLOCKING (MCI)		NONMETALLIC SHEATHED CABLE	FLEXIBLE METAL CONDUIT
	STEEL	ALUMINUM	STEEL	ALUMINUM		
"L" TYPE	—	—	—	—	#14-2 to #10-3 w/ground	—
"X" TYPE	#14-2 (.444 in outer diam.) to largest size to fit in clamp	#14-2 (.444 in outer diam.) to largest size to fit in clamp	.425 TO .600 outer diam.	.400 to .495 outer diam.	—	3/8" trade size
"#9" OR "AOL" TYPE	—	—	—	—	#14-2 w/ground	—
"Q" TYPE	—	—	—	—	#14-2 to #10-3 w/ground	—
"BN" TYPE	—	—	—	—	#14-2 w/ground or #12-2 w/ground	—

BRACKET TECHNICAL DATA												
BRACKET TYPE	"A"	"B"	"D"	"FH"	"FM"	"FS"	"J"	"LB"	"MS"	"TS"	"W"	"H" or "M"
LENGTH (In.)	6-7/16"	1-61/64"	6-1/4"	7-3/8"	6-7/8"	7"	2-3/8"	1-31/32"	4-1/2"	7"	6-25/32"	4-15/16"
WIDTH	5/8"	2"	21/32"	1-9/16"	1-9/16"	1-9/16"	2-23/32"	3-3/64"	1-1/2"	1-1/16"	1-1/16"	7/8"
OFFSET				3/8"	3/8"	3/8"	1/4"			17/64"	1-5/16"	3/8"
FOR METAL	✓		✓		✓	✓			✓	✓	✓	✓
FOR WOOD	✓	✓	✓	✓	✓	✓	✓	✓		✓	✓	✓



**"A" Bracket**  
Positions handy box against face and side of stud.



**"FH" Bracket**  
Side-mount bracket with hooks that drive into face of stud.



**"D" Bracket**  
Mounts on flat side of stud.



**BOX-LOC® "MS" Bracket**  
Positions box on either side of stud. BOX-LOC® (MS) Bracket Box is a snap to install. Place the bracket on the open side of the stud first. Slots in the bracket engage the lip of the stud and actually crimp it as you press the bracket on the stud. Barbed hooks dig into the flat side of the stud, quickly locking it into place.



**"J" Bracket**  
Spurs, slotted holes for toe-nailing. Gauging notches at 3/8" and 1/2".

**"UBS" Support**  
Universal Back Side support to provide bracing on back of box for wall cavities 2-1/2" - 6" thick.



**"W" Bracket**  
Positions box away from side of stud to clear the trim molding of a door frame.



**"B" Bracket**  
Face mounts on front edge of wood stud. Use when space between studs is limited.



**"FM" Bracket**  
Mounts on flat side of stud.

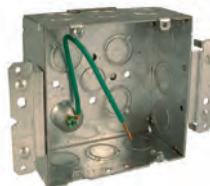


**"LB" Bracket**  
Face mounts on front edge of wood stud. Use when space between studs is limited. 5/8" offset to clear narrow door molding.

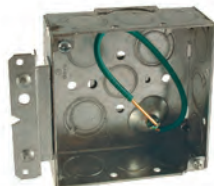


**"TS" Bracket**  
Side-mount bracket for octagon, square, switch and handy boxes. Gauging tabs and recessed nailing spurs.

**"M" Bracket**  
Brackets on both/ opposite sides of box



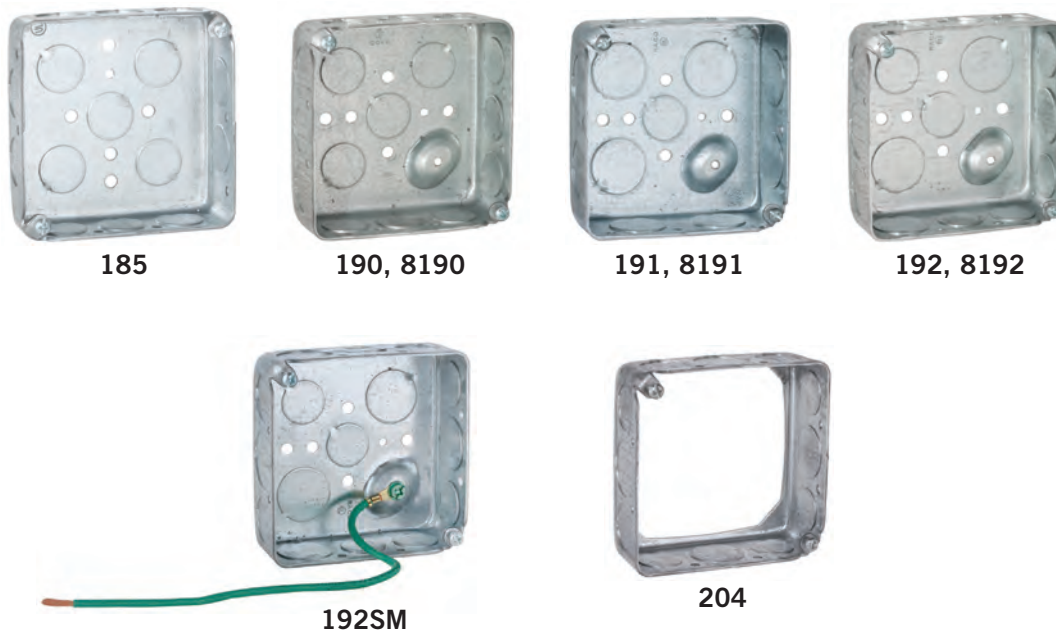
**"FS" Bracket**  
Mounts on flat side of stud. Gauging tabs and recessed nailing spurs.



**"H" Bracket**  
Narrow bracket allows side-by-side mounting on stud. Positioning tabs locate box perfect distance from stud. V notch centers box. Dimples protect flush drywall installation.



4" SQUARE BOXES – DRAWN WITH CONDUIT KO'S



CAT. #	DESCRIPTION	CUBIC INCHES (CM <sup>3</sup> )	KNOCKOUTS		STD. PKG.	BAR CODE
			SIDES CONDUIT	BOTTOM CONDUIT		
<b>4" Square Box, 1-1/4" Deep – Drawn with Conduit KO's</b>						
185	—	18.0 (295.0)	(10) 1/2"	(5) 1/2"	50	
<b>4" Square Box, 1-1/2" Deep – Drawn with Conduit KO's</b>						
190	Raised Ground	21.0 (344.1)	(12) 1/2"	(4) 1/2"	50	—
8190	Raised Ground	21.0 (344.1)	(12) 1/2"	(4) 1/2"	50	
191	Raised Ground	21.0 (344.1)	(8) 3/4"	(1) 1/2", (3) 3/4"	50	—
8191	Raised Ground	21.0 (344.1)	(8) 3/4"	(1) 1/2", (3) 3/4"	25	
192	Raised Ground	21.0 (344.1)	(8) 1/2", (4) 3/4"	(2) 1/2", (2) 3/4"	50	—
8192	Raised Ground	21.0 (344.1)	(8) 1/2", (4) 3/4"	(2) 1/2", (2) 3/4"	50	
192SM	Raised Ground, 10" #12 Stranded Copper Pigtail	21.0 (344.1)	(8) 1/2", (4) 3/4"	(2) 1/2", (2) 3/4"	50	
<b>4" Square Thru-the-Wall Box, 1-1/2" Deep – Drawn with Conduit KO's</b>						
204	—	22.5 (368.7)	(8) 1/2", (4) 3/4"	—	50	—

APPLICATIONS

- RACO® Boxes are installed in walls or ceilings for lighting fixtures, switches or receptacles
- Square boxes are used where multiple conductor runs are split into two or more directions to bring power to a number of electrical devices
- Drawn boxes are ideal for exposed work applications

PRODUCT FEATURES

- Combination screw heads provide for faster installation
- Thru-the-wall box is designed for shallow wall applications and allows for attachment of wall plate to both faces of box

COMPLIANCE

- File E195978
- All RACO single gang, two gang, 4" square, and single gang gangable U.L. listed steel boxes are acceptable for use in 2-hour fire rated walls. For additional information, consult U.L.



4" SQUARE BOXES – WELDED WITH CONDUIT KO'S



181



189, 8189



189RAC



189SM



911-9

APPLICATIONS

- RACO® Boxes are installed in walls or ceilings for lighting fixtures, switches or receptacles
- Square boxes are used where multiple conductor runs are split into two or more directions to bring power to a number of electrical devices

PRODUCT FEATURES

- Combination screw heads provide for faster installation
- TKO® Knockouts allow for design and installation flexibility.
- Red boxes, covers and extensions for dedicated life safety alarm circuits

COMPLIANCE

- File E195978
- All RACO single gang, two gang, 4" square, and single gang gangable U.L. listed steel boxes are acceptable for use in 2-hour fire rated walls.
- Per U.L. 514-A, suitable for use without a bonding jumper in circuits up to 600 volts

**600V**

CAT. #	DESCRIPTION	CUBIC INCHES (CM <sup>3</sup> )	KNOCKOUTS		STD. PKG.	BAR CODE
			SIDES CONDUIT	BOTTOM CONDUIT		
<b>4" Square Box, 1-1/2" Deep – Welded with Conduit KO's</b>						
181	—	21.0 (344.1)	(8) 3/4"	(1) 1/2", (4) 3/4"	50	—
189	<b>600V</b> , Raised Ground	21.0 (344.1)	(8) 1/2", (4) TKO®	(2) 1/2", (2) TKO®	50	—
8189	<b>600V</b> , Raised Ground	21.0 (344.1)	(8) 1/2", (4) TKO®	(2) 1/2", (2) TKO®	50	
189RAC	<b>600V</b>	21.0 (344.1)	(8) 1/2", (4) TKO®	(2) 1/2", (2) TKO®	50	—
189SM	<b>600V</b> , Raised Ground, 10" #12 Stranded Copper Pigtail	21.0 (344.1)	(8) 1/2" (4) TKO®	(2) 1/2" (2) TKO®	50	
911-9	<b>600V</b> , Raised Ground, Painted Red	21.0 (344.1)	(8) 1/2" (4) TKO®	(2) 1/2" (2) TKO®	50	—



SQUARE BOXES & COVERS

4" SQUARE BRACKETED BOXES – WELDED WITH CONDUIT KO'S



196, 8196



8197



199



208, 8208



193, 8193



189F



189H, 189HS



189HWP



189M



227 BOX-LOC®

CAT. #	DESCRIPTION	CUBIC INCHES (CM <sup>3</sup> )	KNOCKOUTS		STD. PKG.	BAR CODE
			SIDES CONDUIT	BOTTOM CONDUIT		
<b>4" Square Bracketed Boxes, 1-1/2" Deep – Welded with Conduit KO's</b>						
196	600V, FS, Flush	21.0 (344.1)	(6) 1/2" (3) TKO®	(3) 1/2" (2) TKO®	25	—
8196	600V, FS, Flush	21.0 (344.1)	(6) 1/2" (3) TKO®	(3) 1/2" (2) TKO®	25	
8197	600V, FH, Flush	21.0 (344.1)	(6) 1/2" (3) TKO®	(3) 1/2" (2) TKO®	25	
199	600V, FS, Flush	21.0 (344.1)	(6) 3/4"	(1) 1/2" (4) 3/4"	25	—
208	600V, W, Flush	21.0 (344.1)	(6) 1/2" (3) TKO®	(3) 1/2" (2) TKO®	25	—
8208	W, Flush	21.0 (344.1)	(6) 1/2" (3) TKO®	(3) 1/2" (2) TKO®	25	
193	600V, B, Flush	21.0 (344.1)	(6) 1/2" (3) TKO®	(3) 1/2" (2) TKO®	25	—
8193	600V, B, Flush	21.0 (344.1)	(6) 1/2" (3) TKO®	(3) 1/2" (2) TKO®	10	
189F	600V, Raised Ground, 8" #12 Solid Copper Pigtail, UBS Farside Support	21.0 (344.1)	(8) 1/2" (4) TKO®	(2) 1/2" (2) TKO®	50	—
189H	600V, Raised Ground, 8" #12 Solid Copper Pigtail, UBS, HM	21.0 (344.1)	(6) 1/2" (3) TKO®	(2) 1/2" (2) TKO®	20	—
189HS	Raised Ground, 10" #12 Stranded Copper Pigtail, UBS, HM	21.0 (344.1)	(6) 1/2" (3) TKO®	(2) 1/2" (2) TKO®	20	—
189HWP	600V, Raised Ground, UBS, HM	21.0 (344.1)	(6) 1/2" (3) TKO®	(2) 1/2" (2) TKO®	20	—
189M	600V, Raised Ground, 8" #12 Solid Copper Pigtail, UBS, HM	21.0 (344.1)	(4) 1/2" (2) TKO®	(2) 1/2" (2) TKO®	20	—
227	600V, MS, Flush, BOX-LOC®, Provided with Far-side support (part #978)	21.0 (344.1)	(6) 1/2" (3) TKO®	(3) 1/2" (2) TKO®	25	

APPLICATIONS

- RACO® Boxes are installed in walls or ceilings for lighting fixtures, switches or receptacles
- Square boxes are used where multiple conductor runs are split into two or more directions to bring power to a number of electrical devices

PRODUCT FEATURES

- Reference the Box Selection section in the front of this catalog for complete description of bracket types and features
- BOX-LOC® (MS) Bracket Box is a snap to install. Place the bracket on the open side of the stud first. Slots in the bracket engage the lip of the stud and actually crimp it as you press the bracket on the stud, quickly locking it in place
- TKO® Knockouts allow for design and installation flexibility
- UBS Support - Welded to box, preset bend points to work with wall thickness 2-1/2" to 6"

COMPLIANCE

- File E195978
- All RACO single gang, two gang, 4" square, and single gang gangable U.L. listed steel boxes are acceptable for use in 2-hour fire rated walls.
- Per U.L. 514-A, suitable for use without a bonding jumper in circuits up to 600 volts

600V



4" SQUARE EXTENSION RINGS



201, 8201



202



203, 8203



911-6



187



207

**APPLICATIONS**

- RACO® Extension rings provide a means for adding cubic capacity or as an outlet box for surface conduit

**PRODUCT FEATURES**

- Combination screw heads provide for faster installation
- Red boxes, covers and extensions for dedicated life safety alarm circuits
- RACO® 187 can be positioned to accommodate one or two switch boxes

**COMPLIANCE**

- File E195978

CAT. #	DESCRIPTION	CUBIC INCHES (CM <sup>3</sup> )	KNOCKOUTS		STD. PKG.	BAR CODE
			SIDES CONDUIT	BOTTOM CONDUIT		
<b>4" Square Extension Rings, 1-1/2" Deep – Drawn with Conduit KO's</b>						
201	—	22.5 (368.7)	(12) 1/2"	—	50	—
8201	—	22.5 (368.7)	(12) 1/2"	—	25	
202	—	22.5 (368.7)	(8) 3/4"	—	50	—
203	—	22.5 (368.7)	(8) 1/2", (4) 3/4"	—	50	—
8203	—	22.5 (368.7)	(8) 1/2", (4) 3/4"	—	25	
911-6	Painted Red	22.5 (368.7)	(8) 1/2", (4) 3/4"	—	50	—
187	Attaches to Switch Boxes	22.5 (368.7)	(8) 1/2", (4) 3/4"	—	25	
<b>4" Square Extension Rings, 2-1/8" Deep – Welded with Conduit KO's</b>						
207	—	30.3 (496.5)	(6) 1/2", (6) 3/4"	—	25	—



4" SQUARE BOXES – WELDED WITH CONDUIT KO'S



232, 8232



232RAC



231, 8231



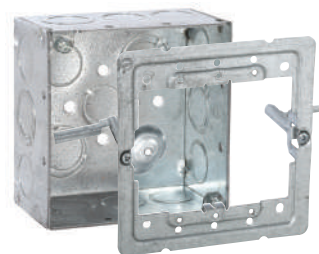
233, 8233



232SM



911-3



232-OW

CAT. #	DESCRIPTION	CUBIC INCHES (CM <sup>3</sup> )	KNOCKOUTS		STD. PKG.	BAR CODE
			SIDES CONDUIT	BOTTOM CONDUIT		
<b>4" Square Box, 2-1/8" Deep – Welded with Conduit KO's</b>						
232	600V, Raised Ground	30.3 (496.5)	(8) 1/2", (4) TKO®	(2) 1/2", (2) TKO®	25	—
8232	600V, Raised Ground	30.3 (496.5)	(8) 1/2", (4) TKO®	(2) 1/2", (2) TKO®	25	
232RAC	600V	30.3 (496.5)	(8) 1/2", (4) TKO®	(3) 1/2", (2) TKO®	25	—
231	—	30.3 (496.5)	(8) 3/4"	(1) 1/2", (4) 3/4"	25	—
8231	—	30.3 (496.5)	(8) 3/4"	(1) 1/2", (4) 3/4"	25	
233	—	30.3 (496.5)	(8) 1"	(3) 1/2", (2) 3/4"	25	—
8233	—	30.3 (496.5)	(8) 1"	(3) 1/2", (2) 3/4"	25	
232SM	600V, Raised Ground, 10" #12 Stranded Copper Pigtail	30.3 (496.5)	(8) 1/2", (4) TKO®	(2) 1/2", (2) TKO®	25	
911-3	600V, Painted Red	30.3 (496.5)	(8) 1/2", (4) TKO®	(2) 1/2", (2) TKO®	25	
232-OW	600V, Raised Ground, Old Work, 4" Sq. Box Mounting of One or Two Device Applications	30.3 (496.5)	(8) 1/2", (4) TKO®	(2) 1/2", (2) TKO®	25	

APPLICATIONS

- RACO® Boxes are installed in walls or ceilings for lighting fixtures, switches or receptacles
- Square boxes are used where multiple conductor runs are split into two or more directions to bring power to a number of electrical devices

PRODUCT FEATURES

- Combination screw heads provide for faster installation
- TKO® knockouts offer greater flexibility with RACO patented combination 1/2" and 3/4" knockout
- Red boxes, covers and extensions for dedicated life safety alarm circuits

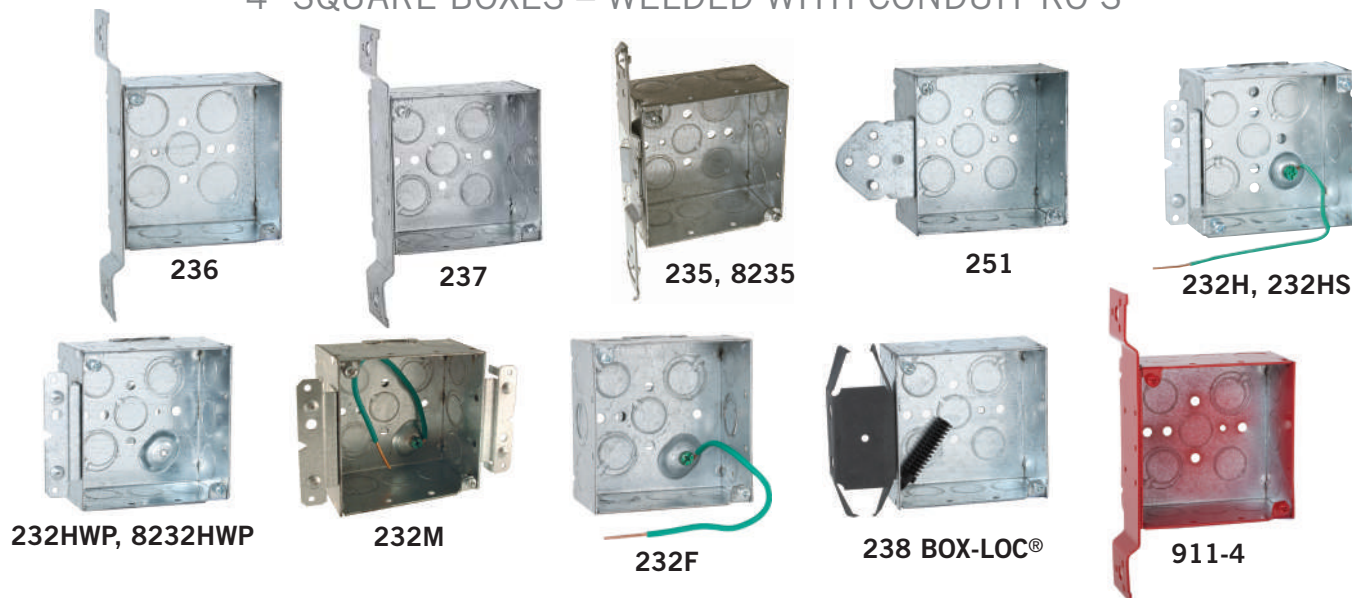
COMPLIANCE

- File E195978
- All RACO single gang, two gang, 4" square, and single gang gangable U.L. listed steel boxes are acceptable for use in 2-hour fire rated walls.
- Per U.L. 514-A, suitable for use without a bonding jumper in circuits up to 600 volts

600V



4" SQUARE BOXES – WELDED WITH CONDUIT KO'S



APPLICATIONS

- RACO® Boxes are installed in walls or ceilings for lighting fixtures, switches or receptacles
- Square boxes are used where multiple conductor runs are split into two or more directions to bring power to a number of electrical devices

PRODUCT FEATURES

- Reference the Box Selection section in the front of this catalog for complete description of bracket types and features
- BOX-LOC® (MS) Bracket Box is a snap to install. Place the bracket on the open side of the stud first. Slots in the bracket engage the lip of the stud and actually crimp it as you press the bracket on the stud, quickly locking it in place
- Combination screw heads provide for faster installation
- TKO® knockouts offer greater flexibility with RACO® patented combination 1/2" and 3/4" knockout
- UBS Support - Welded to box, preset bend points to work with wall thickness 2-1/2" to 6"
- Red boxes, covers and extensions for dedicated life safety alarm circuits

CAT. #	DESCRIPTION	CUBIC INCHES (CM <sup>3</sup> )	KNOCKOUTS		STD. PKG.	BAR CODE
			SIDES CONDUIT	BOTTOM CONDUIT		
<b>4" Square Box, 2-1/8" Deep – Welded with Conduit KO's</b>						
236	600V, FM, Flush	30.3 (496.5)	(6) 3/4"	(1) 1/2", (4) 3/4"	25	
237	600V, FM, Flush	30.3 (496.5)	(6) 1/2", (3) TKO®	(3) 1/2", (2) TKO®	25	
235	600V, TS, Flush	30.3 (496.5)	(6) 1/2", (3) TKO®	(3) 1/2", (2) TKO®	25	—
8235	TS, Flush,	30.3 (496.5)	(6) 1/2", (3) TKO®	(3) 1/2", (2) TKO®	25	
251	B Flush	30.3 (496.5)	(6) 1/2", (3) TKO®	(3) 1/2", (2) TKO®	25	—
232H	Raised Ground, 8" #12 Solid Copper Pigtail, UBS, HM	30.3 (496.5)	(8) 1/2" (4) TKO®	(2) 1/2" (2) TKO®	25	—
232HS	Raised Ground, 10" #12 Stranded Copper Pigtail, UBS, HM	30.3 (496.5)	(8) 1/2" (4) TKO®	(2) 1/2" (2) TKO®	25	—
232HWP	Raised Ground, UBS, HM	30.3 (496.5)	(8) 1/2", (4) TKO®	(2) 1/2", (2) TKO®	25	—
8232HWP	Raised Ground, UBS, HM	30.3 (496.5)	(8) 1/2", (4) TKO®	(2) 1/2", (2) TKO®	25	
232M	600V, Raised Ground, 8" #12 Solid Copper Pigtail, UBS, HM	30.3 (496.5)	(8) 1/2" (4) TKO®	(2) 1/2" (2) TKO®	25	—
232F	600V, Raised Ground 8" #12 Solid Copper Pigtail, UBS	30.3 (496.5)	(8) 1/2" (4) TKO®	(2) 1/2" (2) TKO®	25	—
238	BOX-LOC®, MS, Flush, Provided with Far-side support (part #978)	30.3 (496.5)	(6) 1/2" (3) TKO®	(3) 1/2" (2) TKO®	25	
911-4	FM Bracket, Painted Red	30.3 (496.5)	(6) 1/2", (3) TKO®	(3) 1/2", (2) TKO®	25	—

COMPLIANCE

- File E195978
- All RACO single gang, two gang, 4" square, and single gang gangable U.L. listed steel boxes are acceptable for use in 2-hour fire rated walls.
- Per U.L. 514-A, suitable for use without a bonding jumper in circuits up to 600 volts

600V





4" SQUARE PLENUM BOXES & COVER



226



239



762

CAT. #	DESCRIPTION	CUBIC INCHES (CM <sup>3</sup> )	KNOCKOUTS		STD. PKG.	BAR CODE
			SIDES CONDUIT	BOTTOM CONDUIT		
<b>4" Square Plenum Boxes and Cover – Drawn with Conduit KO's</b>						
226	1-1/2" Depth	22.5 (368.7)	(8) 1/2", (4) 3/4"	(3) 1/2", (2) 3/4"	50	
239	2-1/8" Depth	30.3 (496.5)	(8) 1/2", (4) 3/4"	(3) 1/2", (2) 3/4"	25	
762	Gasketed cover for 4" square boxes	—	—	—	50	

**APPLICATIONS**

- RACO® Plenum boxes are used in above-ceiling applications where air-tight enclosures are required

**PRODUCT FEATURES**

- To maintain plenum seal, both RACO 226 and 239 do not provide ground screw holes
- Cover gasket is PVC foam material

**COMPLIANCE**

- File E195978



3-3/4" SQUARE BOXES – WELDED WITH CONDUIT KO'S



256



911-2



255



911-1

**APPLICATIONS**

- RACO® Red boxes and covers allow inspector or building owner to immediately identify alarm/fire or life safety systems

**PRODUCT FEATURES**

- 3-3/4" opening in wall allows for margin of error when using a 4" square cover
- Accepts all 4" square covers and mudrings
- Red boxes, covers and extensions for dedicated life safety alarm circuits

**COMPLIANCE**

- File E195978

CAT. #	DESCRIPTION	CUBIC INCHES (CM <sup>3</sup> )	KNOCKOUTS		STD. PKG.	BAR CODE
			SIDES CONDUIT	BOTTOM CONDUIT		
<b>3-3/4" Square Large Capacity Boxes, 3-1/2" Deep – Welded with Conduit KO's</b>						
256		45.0 (737.4)	(12) 1/2"-3/4" Concentric	(4) 1/2"-3/4" Concentric	25	
911-2	Painted Red	45.0 (737.4)	(12) 1/2"-3/4" Concentric	(4) 1/2"-3/4" Concentric	25	—
<b>3-3/4" Square Large Capacity Bracketed Boxes, 3-1/2" Deep – Welded with Conduit KO's</b>						
255	FM Bracket	45.0 (737.4)	(10) 1/2"-3/4" Concentric	(4) 1/2"-3/4" Concentric	10	
911-1	FM Bracket, Painted Red	45.0 (737.4)	(10) 1/2"-3/4" Concentric	(4) 1/2"-3/4" Concentric	10	—



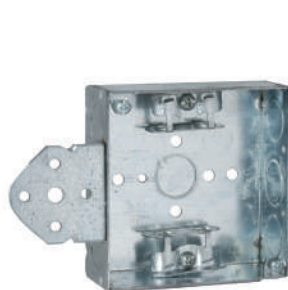
4" SQUARE BOXES – WELDED WITH ARMORED CABLE / METAL CLAD / FLEX CLAMPS



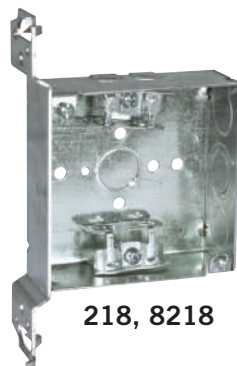
213, 8213



213HWP



224



218, 8218



229 BOX-LOC®

CAT. #	DESCRIPTION	CUBIC INCHES (CM <sup>3</sup> )	KNOCKOUTS			STD. PKG.	BAR CODE
			CABLE PRIORTS	SIDES CONDUIT	BOTTOM CONDUIT		
<b>4" Square Box, 1-1/2" Deep – Welded with Armored Cable/Metal Clad/Flex Clamps</b>							
213	600V	21.0 (344.1)	4	(4) 1/2", (2) TKO®	(1) 1/2"	50	—
8213	600V	21.0 (344.1)	4	(4) 1/2", (2) TKO®	(1) 1/2"	50	IIIIIIII
<b>4" Square Bracketed Box, 1-1/2" Deep – Welded with Armored Cable/Metal Clad/Flex Clamps</b>							
213HWP	600V, HM, UBS	21.0 (344.1)	4	(4) 1/2" (2) TKO®	(1) 1/2"	20	—
224	600V, B, Flush	21.0 (344.1)	4	(2) 1/2" (1) TKO®	(1) 1/2"	25	—
218	600V, FS, Flush	21.0 (344.1)	4	(2) 1/2" (1) TKO®	(1) 1/2"	25	—
8218	600V, FS, Flush	21.0 (344.1)	4	(2) 1/2" (1) TKO®	(1) 1/2"	25	IIIIIIII
229	600V, BOX-LOC®, (MS) Flush, Provided with Far-side support (part #978)	21.0 (344.1)	4	(2) 1/2"	(1) 1/2"	25	IIIIIIII

APPLICATIONS

- RACO® Boxes are installed in walls or ceilings for lighting fixtures, switches or receptacles
- Square boxes are used where multiple conductor runs are split into two or more directions to bring power to a number of electrical devices

PRODUCT FEATURES

- Reference the Box Selection section in the front of this catalog for complete description of bracket types and features
- BOX-LOC® (MS) Bracket Box is a snap to install. Place the bracket on the open side of the stud first. Slots in the bracket engage the lip of the stud and actually crimp it as you press the bracket on the stud, quickly locking it in place
- UBS Support - Welded to box, preset bend points to work with wall thickness 2-1/2" to 6"
- Combination screw heads provide for faster installation
- TKO® Knockouts offer greater flexibility with RACO patented combination 1/2" and 3/4" knockout

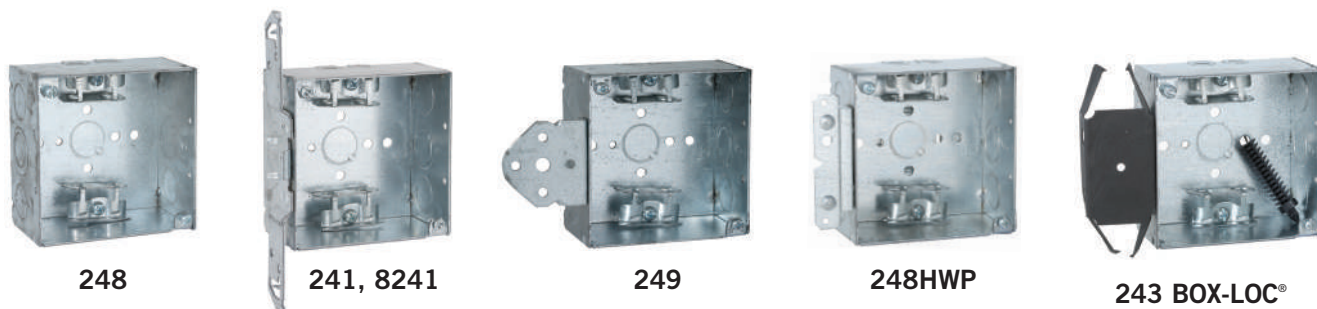
COMPLIANCE

- File E195978
- All RACO single gang, two gang, 4" square, and single gang gangable U.L. listed steel boxes are acceptable for use in 2-hour fire rated walls.
- Per U.L. 514-A, suitable for use without a bonding jumper in circuits up to 600 volts

600V



4" SQUARE BOXES – WELDED WITH ARMORED CABLE / METAL CLAD / FLEX CLAMPS



APPLICATIONS

- RACO® Boxes are installed in walls or ceilings for lighting fixtures, switches or receptacles
- Square boxes are used where multiple conductor runs are split into two or more directions to bring power to a number of electrical devices

PRODUCT FEATURES

- Reference the Box Selection section in the front of this catalog for complete description of bracket types and features
- BOX-LOC® (MS) Bracket Box is a snap to install. Place the bracket on the open side of the stud first. Slots in the bracket engage the lip of the stud and actually crimp it as you press the bracket on the stud, quickly locking it in place
- Combination screw heads provide for faster installation
- TKO® knockouts offer greater flexibility with RACO patented combination 1/2" and 3/4" knockout

COMPLIANCE

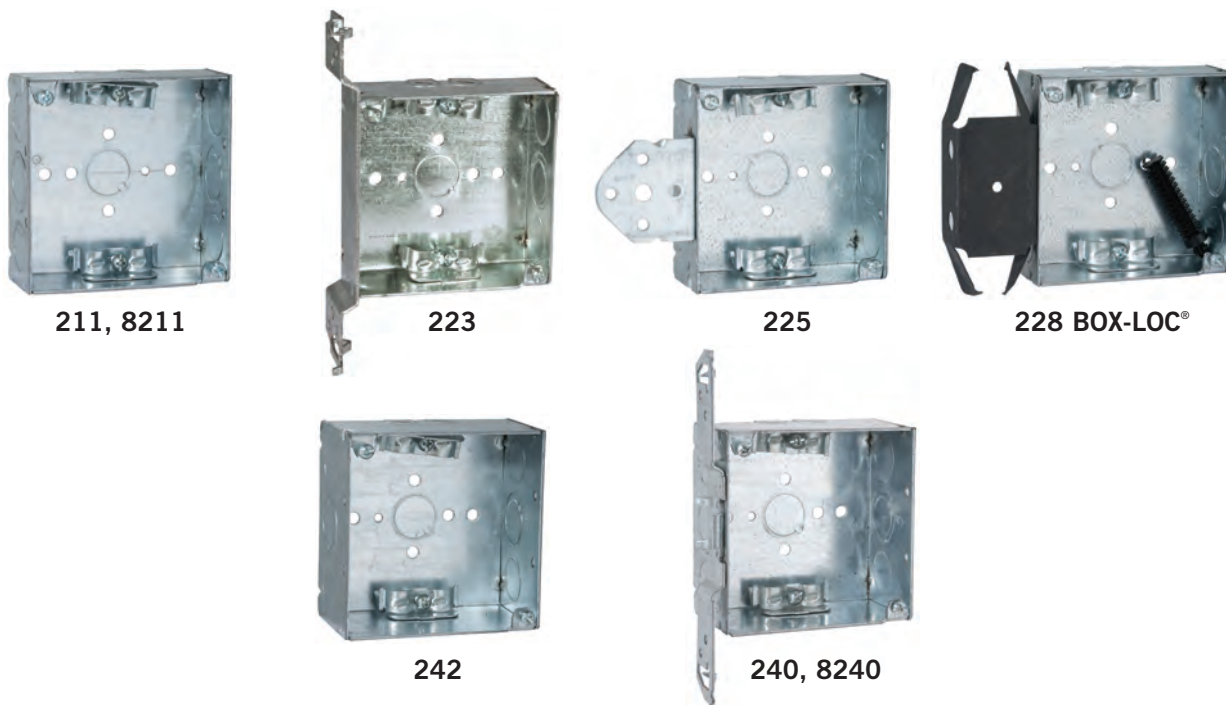
- File E195978
- All RACO single gang, two gang, 4" square, and single gang gangable U.L. listed steel boxes are acceptable for use in 2-hour fire rated walls.
- Per U.L. 514-A, suitable for use without a bonding jumper in circuits up to 600 volts

600V

CAT. #	DESCRIPTION	CUBIC INCHES (CM <sup>3</sup> )	KNOCKOUTS			STD. PKG.	BAR CODE
			CABLE PRIOUTS	SIDES CONDUIT	BOTTOM CONDUIT		
<b>4" Square Box, 2-1/8" Deep – Welded with Armored Cable/Metal Clad/Flex Clamps</b>							
248	600V	30.3 (496.5)	4	(4) 1/2", (2) TKO®	(1) 1/2"	25	
<b>4" Square Bracketed Box, 2-1/8" Deep – Welded with Armored Cable/Metal Clad/Flex Clamps</b>							
241	600V, TS, Flush	30.3 (496.5)	4	(2) 1/2", (1) TKO®	(1) 1/2"	25	—
8241	600V, TS, Flush	30.3 (496.5)	4	(2) 1/2", (1) TKO®	(1) 1/2"	25	
249	600V, B, Flush	30.3 (496.5)	4	(2) 1/2", (1) TKO®	(1) 1/2"	25	—
248HWP	600V, HM Bracket, UBS	30.3 (496.5)	4	(2) 1/2", (1) TKO®	(1) 1/2"	25	
243	600V, BOX-LOC®, (MS) Flush, Provided with Far-side support (part #978)	30.3 (496.5)	4	(2) 1/2", (1) TKO®	(1) 1/2"	25	



4" SQUARE BOXES – WELDED WITH NONMETALLIC SHEATHED CABLE CLAMPS



CAT. #	DESCRIPTION	CUBIC INCHES (CM <sup>3</sup> )	KNOCKOUTS			STD. PKG.	BAR CODE
			CABLE PRIOUTS	SIDES CONDUIT	BOTTOM CONDUIT		
<b>4" Square Box, 1-1/2" Deep – Welded with Nonmetallic Sheathed Cable Clamps</b>							
211	600V	21.0 (344.1)	4	(4) 1/2", (2) TKO	(1) 1/2"	50	—
8211	600V	21.0 (344.1)	4	(4) 1/2", (2) TKO	(1) 1/2"	50	
223	600V, FS, Flush	21.0 (344.1)	4	(2) 1/2", (1) TKO	(1) 1/2"	25	
225	600V, B, Flush	21.0 (344.1)	4	(2) 1/2", (1) TKO	(1) 1/2"	25	—
228	600V, BOX-LOC®, (MS) Flush, Provided with Far-side support (part #978)	21.0 (344.1)	4	(2) 1/2" (1) TKO	(1) 1/2"	25	
<b>4" Square Box, 2-1/8" Deep – Welded with Nonmetallic Sheathed Cable Clamps</b>							
242	600V	30.3 (496.5)	4	(4) 1/2", (2) TKO	(1) 1/2"	25	—
240	600V, TS, Flush	30.3 (496.5)	4	(2) 1/2", (1) TKO	(1) 1/2"	25	—
8240	600V, TS, Flush	30.3 (496.5)	4	(2) 1/2", (1) TKO	(1) 1/2"	25	

APPLICATIONS

- RACO® Boxes are installed in walls or ceilings for lighting fixtrues, switches or receptacles
- Square boxes are used where multiple conductor runs are split into two or more directions to bring power to a number of electrical devices

PRODUCT FEATURES

- Reference the Box Selection section in the front of this catalog for complete description of bracket types and features
- BOX-LOC® (MS) Bracket Box is a snap to install. Place the bracket on the open side of the stud first. Slots in the bracket engage the lip of the stud and actually crimp it as you press the bracket on the stud, quickly locking it in place
- Combination screw heads provide for faster installation
- TKO® knockouts offer greater flexibility with RACO patented combination 1/2" and 3/4" knockout

COMPLIANCE

- File E195978
- All RACO single gang, two gang, 4" square, and single gang gangable U.L. listed steel boxes are acceptable for use in 2-hour fire rated walls.
- Per U.L. 514-A, suitable for use without a bonding jumper in circuits up to 600 volts **600V**



4" SQUARE COVERS



752, 8752,  
8752-5



753, 8753,  
8753-5



911-8



787



774, 775, 8775  
782



771, 8771, 772, 8772  
773, 8773, 768, 8768



785, 786

APPLICATIONS

- RACO® covers are used to close an outlet box
- Raised device covers are used for mounting switches or receptacles

PRODUCT FEATURES

- Red boxes, covers and extensions for dedicated life safety alarm circuits
- Angled mounting slots compensate up to 12° for box misalignment

COMPLIANCES

- File E195978
- File LR-1082

CATALOG #	DESCRIPTION	CUBIC INCHES (CM <sup>3</sup> )	STD. PKG.	BARCODE
<b>4" Square Flat Covers</b>				
752	Flat, Blank	—	50	—
8752	Flat, Blank	—	50	
8752-5*	Flat, Blank	—	50	
753	Flat, 1/2" KO in Center	—	50	—
8753	Flat, 1/2" KO in Center	—	50	
8753-5*	Flat, 1/2" KO in Center	—	50	
911-8	Flat, Blank, Painted Red	—	50	
<b>4" Square Single Device Covers</b>				
787	Flat	—	25	
771	Raised 1/4"	1.5 (24.6)	100	—
8771	Raised 1/4"	1.5 (24.6)	25	
782	Raised 1/2" Tile	3.5 (57.3)	25	
772	Raised 1/2" Drawn	3.5 (57.3)	100	—
8772	Raised 1/2" Drawn	3.5 (57.3)	50	
768	Raised 5/8"	4.5 (73.7)	50	—
8768	Raised 5/8"	4.5 (73.7)	25	
773	Raised 3/4"	5.5 (90.1)	50	—
8773	Raised 3/4"	5.5 (90.1)	25	
774	Raised 1"	7.5 (122.9)	25	
775	Raised 1-1/4"	9.5 (115.6)	25	—
8775	Raised 1-1/4"	9.5 (115.6)	25	
785	Raised 1-1/2"	11.3 (185.2)	25	—
786	Raised 2"	14.5 (237.6)	25	—

\*5 Bundles of 10 – sold in carton quantities only

4" SQUARE COVERS



791



777, 8777-0



778, 8778



769, 8769



779, 8779



780



781, 8781



795, 796

CATALOG #	DESCRIPTION	CUBIC INCHES (CM3)	STD. PKG.	BARCODE
<b>4" Square Two Device and Tile Covers</b>				
791	Flat	—	25	
777	Raised, 1/4", Drawn	3.0 (49.2)	50	—
8777-0	Raised, 1/4", Drawn	3.0 (49.2)	10	
778	Raised, 1/2", Drawn	5.5 (90.1)	50	—
8778	Raised, 1/2", Drawn	5.5 (90.1)	25	
769	Raised, 5/8", Drawn	7.3 (119.6)	50	—
8769	Raised, 5/8", Drawn	7.3 (119.6)	25	
779	Raised, 3/4", Drawn	8.8 (144.2)	50	—
8779	Raised, 3/4", Drawn	8.8 (144.2)	25	
780	Raised, 1", Drawn	12.0 (196.6)	25	
781	Raised, 1-1/4", Drawn	15.0 (245.8)	25	—
8781	Raised, 1-1/4", Drawn	15.0 (245.8)	25	
795	Raised, 1-1/2", Welded	15.5 (253.9)	25	—
796	Raised, 2", Welded	20.5 (335.9)	25	—

APPLICATIONS

- Raised device covers are used for mounting switches or receptacles
- Low voltage partitions may be added to conduit-type boxes to divide power from voice/data

PRODUCT FEATURES

- Angled mounting slots compensate up to 12° for box misalignment

COMPLIANCE

- File E195978
- File LR-1082

SQUARE BOXES & COVERS



4" SQUARE PARTITIONS

APPLICATIONS

- Low voltage partitions may be added to conduit-type boxes to divide power from voice/data
- Must be used with raised covers

PRODUCT FEATURES

- Partition divides 4" square boxes into two compartments
- Use with two-device covers which have a slot for the partition
- Partition is scored so it can be broken at the proper depth of box and cover combination
- Helpful hint: Assemble the box with the partition in place before breaking off at the scored tab. This will prevent you from breaking off more tab than needed



706RAC, 707RAC



708, 709

CAT. #	DESCRIPTION	STD. PKG.	BARCODE
<b>Low Voltage Partitions* for 1-1/2" Depth Boxes and 2-Device Covers</b>			
706RAC	Fits 1/4", 1/2", 3/4" or 1" Cover Depth (#777, 778, 8778, 779, 8779, 780)	25	—
708	Fits 1-1/4", 1-1/2" or 2" Cover Depth (#781, 8781, 795, 796)	25	—
<b>Low Voltage Partitions* for 2-1/8" Depth Boxes and 2-Device Covers</b>			
707RAC	Fits 1/4", 1/2", 3/4" or 1" Cover Depth (#777, 778, 8778, 779, 8779, 780)	25	—
709	Fits 1-1/4", 1-1/2" or 2" Cover Depth (#781, 8781, 795, 796)	25	—

\*Low voltage partitions are not UL Listed

Boxes, covers, and partitions must be ordered separately.

For 1-1/2" deep box with 5/8" cover, partition not available. For 2-1/8" deep box with 5/8" cover, use #708 partition.

Partitions are usable but not UL listed for 4-11/16" sq. box.

COMPLIANCES

- File E195978
- File LR-1082

4" SQUARE FIXTURE COVERS



756-759, 767, 8756, 8767



896



897KH

APPLICATIONS

- Raised fixture covers are used where fixtures will be installed

PRODUCT FEATURES

- Angled mounting slots compensate up to 12° for box misalignment
- Swivel covers restricted to 20° swing from vertical
- KWIK-HANG® 897KH allows easy installation of high bay lighting fixtures. Fixture rests in position while wiring is completed

COMPLIANCES

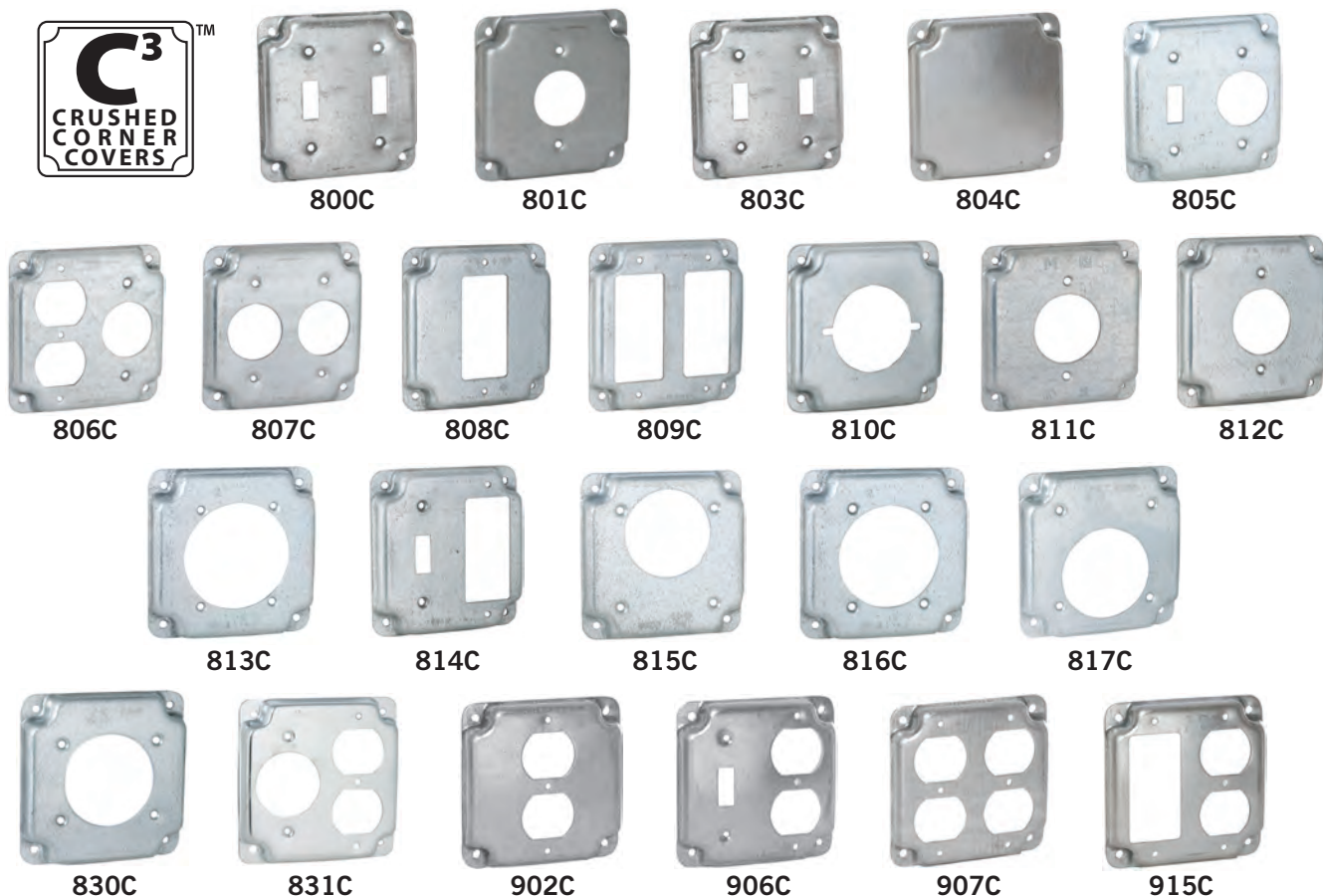
- File E195978
- File LR-1082

Patent Pending (897KH)

CAT. #	DESCRIPTION	CUBIC INCHES (CM <sup>3</sup> )	RECOMMENDED MAX. LOADS		STD. PKG.	BAR CODE
			CEILING FAN (DYNAMIC) LBS.	FIXTURE (STATIC) LBS.		
<b>4" Square Fixture Covers</b>						
767	Raised, 1/2" Open, Ears 2-3/4" O.C.	3.0 (49.2)	No	50	25	—
8767	Raised, 1/2" Open, Ears 2-3/4" O.C.	3.0 (49.2)	No	50	25	
756	Raised, 5/8" Open, Ears 2-3/4" O.C.	4.0 (65.5)	No	50	100	—
8756	Raised, 5/8" Open, Ears 2-3/4" O.C.	4.0 (65.5)	No	50	25	
759	Raised, 3/4" Open, Ears 2-3/4" O.C.	5.0 (81.9)	No	50	25	
757	Raised, 1" Open, Ears 2-3/4" O.C.	6.8 (111.4)	No	50	25	
758	Raised, 1-1/4" Open, Ears 2-3/4" O.C.	8.5 (139.3)	No	50	25	—
<b>4" Square Swivel Fixture Covers</b>						
896	For 4" Sq. Boxes, 1/2" or 3/4" Pipe	—	No	50	25	—
897KH	KWIK-HANG® for 4" Sq. Boxes, 1/2" or 3/4" Pipe	—	No	50	25	—



4" SQUARE EXPOSED WORK COVERS



CATALOG #	DESCRIPTION	CUBIC IN. (CM <sup>3</sup> )	STD. PKG.	BARCODE
<b>4" Square, Crushed Corner Covers – Raised 1/2"</b>				
800C	1 Toggle Switch	6.5 (106.5)	10	
801C	1 Receptacle 1.406" Dia.	6.5 (106.5)	10	
803C	2 Toggle Switches	6.5 (106.5)	10	
804C	Blank, No Holes	6.5 (106.5)	10	
805C	1 Toggle Switch and 1 Receptacle 1.406" Dia.	6.5 (106.5)	10	
806C	1 Duplex and 1 Receptacle 1.406" Dia.	6.5 (106.5)	10	
807C	2 Receptacles 1.406" Dia.	6.5 (106.5)	10	
808C	1 GFCI	6.5 (106.5)	10	
809C	2 GFCI	6.5 (106.5)	10	
810C	30-50A Receptacle 2.141" Dia.	6.5 (106.5)	10	
811C	30A Locking 1.719" Dia.	6.5 (106.5)	10	
812C	20A Receptacle 1.620" Dia.	6.5 (106.5)	10	
813C	30-60A Receptacle 2.625" Dia.	6.5 (106.5)	10	
814C	1 GFCI and 1 Toggle Switch	6.5 (106.5)	10	
815C	1 Receptacle 2.165" Dia., Offset	6.5 (106.5)	10	
816C	1 Receptacle 2.480" Dia.	6.5 (106.5)	10	
817C	1 Receptacle 2.275" Dia., Offset	6.5 (106.5)	10	
830C	1 Receptacle 2.255" Dia.	6.5 (106.5)	10	
831C	1 Duplex, 1 20A Twist Lock® 1.620" Dia.	6.5 (106.5)	10	
902C	1 Duplex Receptacle	6.5 (106.5)	10	
906C	1 Duplex Receptacle and 1 Toggle Switch	6.5 (106.5)	10	
907C	2 Duplex Receptacles	6.5 (106.5)	10	
915C	1 GFCI and 1 Duplex Receptacle	6.5 (106.5)	10	

APPLICATIONS

- RACO® surface covers are used to support switches or receptacles in areas where the box is surface mounted or positioned in exposed work applications

PRODUCT FEATURES

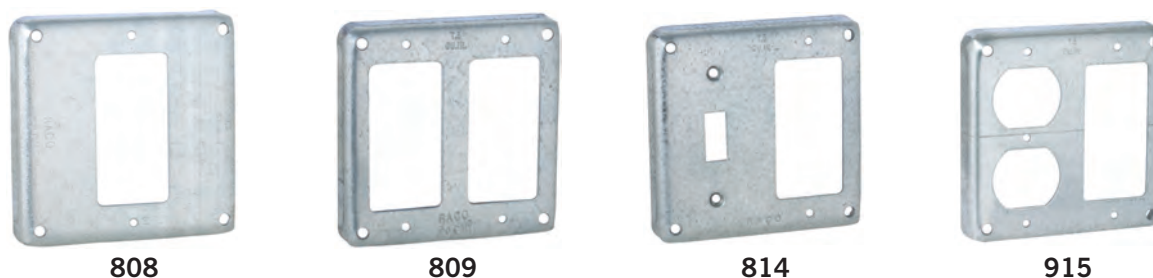
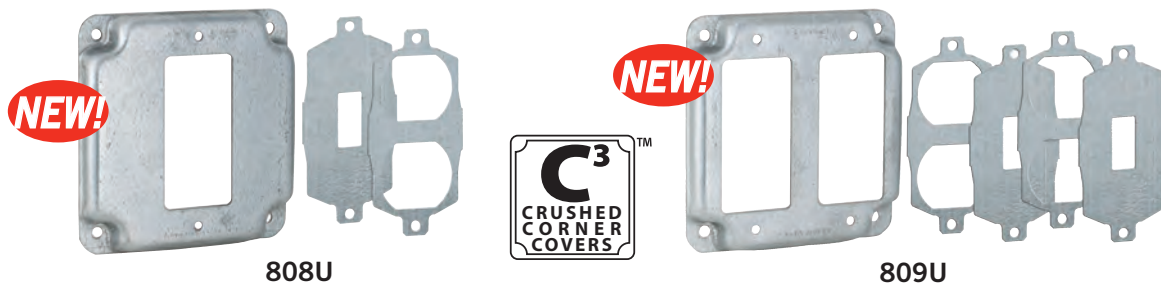
- RACO® exposed work covers include required hardware for mounting the receptacle(s)
- RACO® Exposed work covers meet the requirements of the 2014 NEC Article 250.146 (A). No bonding jumper is required for covers with:
  - (1) Crushed corners
  - (2) Two or more device attachment screws
  - (3) A lockwasher or equivalent
- Hardware and cover are packed in a poly-bag with printed catalog number, compliances and installation instructions

COMPLIANCES

- File E195978



4" SQUARE EXPOSED WORK COVERS



APPLICATIONS

- RACO® surface covers are used to support switches or receptacles in areas where the box is surface mounted or positioned in exposed work applications

PRODUCT FEATURES

- RACO® exposed work covers include required hardware for mounting the receptacle(s)
- RACO® Exposed work covers meet the requirements of the 2014 NEC Article 250.146 (A). No bonding jumper is required for covers with:
  - (1) Crushed corners
  - (2) Two or more device attachment screws
  - (3) A lockwasher or equivalent
- Hardware and cover are packed in a poly-bag with printed catalog number, compliances and installation instructions
- Non-crushed corner covers allow for additional wiring capacity for GFCI's and dimmers

COMPLIANCES

- File E195978

Patent Pending (808U and 809U)

CATALOG #	DESCRIPTION	CUBIC IN. (CM <sup>3</sup> )	STD. PKG.	BARCODE
<b>4" Square Crushed Corner Covers – Raised 1/2"</b>				
<b>NEW</b> 808U	Universal for 1 Device: 1 GFCI, 1 Duplex or 1 Toggle (Insert Plates)	6.5 (106.5)	10	
<b>NEW</b> 809U	Universal for 2 Device: 2 GFCI, 2 Duplex or 2 Toggle (Insert Plates)	6.5 (106.5)	10	
<b>4" Square Extra-Capacity Non-Crushed Corner Covers – Raised 1/2"</b>				
808	1 GFCI	7.3 (119.6)	10	
809	2 GFCI	7.3 (119.6)	10	
814	1 GFCI and 1 Toggle Switch	7.3 (119.6)	10	
915	1 GFCI and 1 Duplex Receptacle	7.3 (119.6)	10	



4-11/16" SQUARE BOXES AND EXTENSION RINGS – DRAWN WITH CONDUIT KO'S



245



246



247



250



262

CAT. #	DESCRIPTION	CUBIC INCHES (CM <sup>3</sup> )	KNOCKOUTS		STD. PKG.	BAR CODE
			SIDES CONDUIT	BOTTOM CONDUIT		
<b>4-11/16" Square Boxes, 1-1/2" Deep – Drawn with Conduit KO's</b>						
245	—	29.5 (483.4)	(12) 1/2"	(3) 1/2", (2) 3/4"	25	—
246	—	29.5 (483.4)	(10) 3/4"	(3) 1/2", (2) 3/4"	25	—
247	—	29.5 (483.4)	(8) 1/2", (4) 3/4"	(3) 1/2", (2) 3/4"	25	—
<b>4-11/16" Square Extension Rings – Drawn with Conduit KO's</b>						
250	1-1/2" Depth	29.5 (483.4)	(8) 1/2", (4) 3/4"	—	25	
262	2-1/8" Depth	43.0 (704.6)	(8) 1/2", (4) 3/4"	—	25	

**APPLICATIONS**

- RACO® 4-11/16" Boxes are used for a wide variety of industrial applications where larger sized conductors or wiring devices are needed and more volume is required
- Drawn boxes are ideal for exposed work applications (surface mounted wiring)
- RACO® Extension rings provide a means for adding cubic capacity or as an outlet box for surface conduit

**PRODUCT FEATURES**

- Combination screw heads provide for faster installation

**COMPLIANCE**

- File E195978



4-11/16" SQUARE BOXES – WELDED WITH CONDUIT KO'S



APPLICATIONS

- RACO® 4-11/16" Boxes are used for a wide variety of industrial applications where larger sized conductors or wiring devices are needed and more volume is required

PRODUCT FEATURES

- Reference the Box Selection section in the front of this catalog for complete description of bracket types and features
- BOX-LOC® (MS) Bracket Box is a snap to install. Place the bracket on the open side of the stud first. Slots in the bracket engage the lip of the stud and actually crimp it as you press the bracket on the stud, quickly locking it in place
- Combination screw heads provide for faster installation
- TKO® knockouts allow for design and installation flexibility
- UBS Support - Welded to box, preset bend points to work with wall thickness 2-1/2" to 6"
- Red boxes, covers and extensions for dedicated life safety alarm circuits

COMPLIANCE

- UL File E195978
- 600V Per U.L. 514-A, suitable for use without a bonding jumper in circuits up to 600 volts

CAT. #	DESCRIPTION	CUBIC INCHES (CM <sup>3</sup> )	KNOCKOUTS		STD. PKG.	BAR CODE
			SIDES CONDUIT	BOTTOM CONDUIT		
<b>4-11/16" Square Boxes, 2-1/8" Deep – Welded with Conduit KO's</b>						
257	600V, Raised Ground	42.0 (688.2)	(12) TKO®	(1) 1/2", (3) TKO®	25	—
8257	600V, Raised Ground	42.0 (688.2)	(12) TKO®	(1) 1/2", (3) TKO®	25	
<b>NEW</b> 8257SP	600V, Raised Ground	42.0 (688.2)	(12) TKO®	(1) 1/2", (3) TKO®	20	
258	600V, Raised Ground	42.0 (688.2)	(8) 1"	(1) 1/2", (3) TKO®	25	—
259*	600V, Raised Ground	42.0 (688.2)	(6) 1-1/4"	(1) 1/2", (3) TKO®	25	—
265	600V, Raised Ground	42.0 (688.2)	(4) 3/4", (4) 1"	(1) 1/2", (3) TKO®	25	—
8265	600V, Raised Ground	42.0 (688.2)	(4) 3/4", (4) 1"	(1) 1/2", (3) TKO®	25	
<b>NEW</b> 8265SP	600V, Raised Ground	42.0 (688.2)	(4) 3/4", (4) 1"	(1) 1/2", (3) TKO®	20	
911-12	600V, Raised Ground, Painted Red	42.0 (688.2)	(12) TKO®	(1) 1/2", (3) TKO®	25	—
257SM	600V, Raised Ground, 10" #12 Stranded Copper Pigtail	42.0 (688.2)	(12) TKO®	(1) 1/2" (3) TKO®	25	
258SM	600V, Raised Ground, 10" #12 Stranded Copper Pigtail	42.0 (688.2)	(8) 1"	(1) 1/2" (3) TKO®	25	
257F	600V, Raised Ground, 8" #12 Solid Copper Pigtail, UBS	42.0 (688.2)	(12) TKO®	(1) 1/2" (3) TKO®	20	—
<b>4-11/16" Square Bracketed Boxes, 2-1/8" Deep – Welded with Conduit KO's</b>						
257H	600V, Raised Ground, 8" #12 Solid Copper Pigtail, UBS, HM	42.0 (688.2)	(12) TKO®	(1) 1/2" (3) TKO®	20	—
257HS	600V, Raised Ground, 10" #12 Stranded Copper Pigtail, UBS, HM	42.0 (688.2)	(12) TKO®	(1) 1/2" (3) TKO®	20	—
<b>NEW</b> 257HWP	600V, Raised Ground, UBS, HM	42.0 (688.2)	(12) TKO®	(1) 1/2", (3) TKO®	20	—
257M	600V, Raised Ground, 8" #12 Solid Copper Pigtail, UBS, HM	42.0 (688.2)	(12) TKO®	(1) 1/2" (3) TKO®	20	—
254	600V, Raised Ground, FM	42.0 (688.2)	(9) TKO®	(1) 1/2", (3) TKO®	25	
266	600V, Raised Ground, BOX-LOC®, MS Flush, Provided with Far-side support (part #978)	42.0 (688.2)	(9) TKO®	(1) 1/2" (3) TKO®	25	

\* Not UL Rated

4-11/16" SQUARE COVERS



832



833, 8833-5



911-11



837, 8837



843



838



839



842



898



899

CATALOG #	DESCRIPTION	STD. PKG.	BARCODE
<b>4-11/16" Square Flat Covers</b>			
832	Flat, Blank	50	
833	Flat, 1/2" KO, Centered	50	
8833-5*	Flat, 1/2" KO, Centered	50	
911-11	Flat, Blank, Painted Red	50	—

\*5 Bundles of 10 – sold in carton quantities only

CATALOG #	DESCRIPTION	CUBIC IN. (CM <sup>3</sup> )	STD. PKG.	BARCODE
<b>4-11/16" Square Single Device and Tile Covers</b>				
837	Raised 1/2"	3.5 (57.3)	25	—
8837	Raised 1/2"	3.5 (57.3)	25	
843	Raised 5/8"	4.5 (73.7)	25	
838	Raised 3/4"	5.5 (90.1)	25	—
839	Raised 1"	7.5 (122.9)	25	—
842	Raised 1-1/4"	9.5 (155.6)	25	—
898	Raised 1-1/2"	11.0 (180.2)	20	—
899	Raised 2"	16.0 (126.1)	20	—

APPLICATIONS

- Covers are used to close an outlet box
- Raised device covers are used for mounting switches or receptacles

PRODUCT FEATURES

- Red boxes, covers and extensions for dedicated life safety alarm circuits

COMPLIANCE

- File E195978
- File LR-1082

4-11/16" SQUARE COVERS AND PARTITIONS



841



818



840



819



820



885



855, 859



911-16, 911-17



829



835



706RAC, 707RAC



708, 709

APPLICATIONS

- RACO® 4-11/16" raised device covers are for mounting switches or receptacles
- Raised fixture covers are used where fixtures will be installed
- Low voltage partitions may be added to conduit-type boxes to divide power from voice/data
- Partitions must be used with raised covers

PRODUCT FEATURES

- Red boxes, covers and extensions for dedicated life safety alarm circuits
- Partition divides 4" square boxes into two compartments
- Use partitions with two-device covers which have a slot for the partition
- Partition is scored so it can be broken at the proper depth of box and cover combination
- Helpful hint: Assemble the box with the partition in place before breaking off at the scored tab. This will prevent you from breaking off more tab than needed

COMPLIANCE

- UL File E195978
- SP File LR-1082

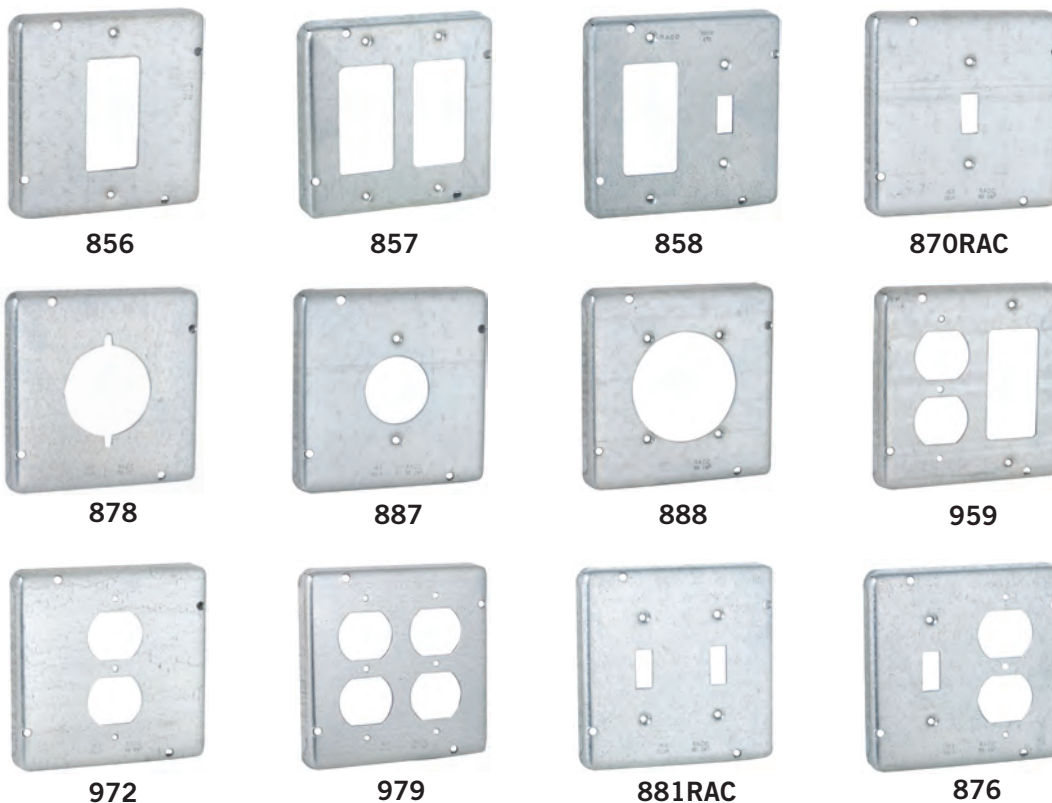
CATALOG #	DESCRIPTION	CUBIC IN. (CM <sup>3</sup> )	STD. PKG.	BARCODE
<b>4-11/16" Square Two Device and Tile Covers</b>				
841	Raised 1/2"	5.5 (90.3)	25	
818	Raised 5/8"	7.3 (119.6)	25	—
840	Raised 3/4"	8.8 (144.2)	25	—
819	Raised 1"	12.0 (196.6)	25	—
820	Raised 1-1/4"	15.0 (245.8)	25	—
885	Raised 1-1/2"	15.5 (254.0)	20	—
<b>NEW</b> 855	Raised 5/8", For Life Safety Appliances & Emergency Exit Signs	8.3 (136.0)	25	—
<b>NEW</b> 859	Raised 1-1/4", For Life Safety Appliances & Emergency Exit Signs	16.0 (262.0)	12	—
<b>NEW</b> 911-16	Raised 5/8", For Life Safety Appliances & Emergency Exit Signs, Painted Red	8.3 (136.0)	25	—
<b>NEW</b> 911-17	Raised 1-1/4", For Life Safety Appliances & Emergency Exit Signs, Painted Red	16.0 (262.0)	12	—

CAT. #	DESCRIPTION	CUBIC INCHES (CM <sup>3</sup> )	RECOMMENDED MAX. LOADS		STD. PKG.	BAR CODE
			CEILING FAN (DYNAMIC) LBS.	FIXTURE (STATIC) LBS.		
<b>4-11/16" Square Fixture Covers</b>						
829	Raised 1/2", Open, Ears 2-3/4" O.C.	3.0 (49.6)	No	50	25	
835	Raised 5/8", Open, Ears 2-3/4" O.C.	4.0 (65.5)	No	50	25	—

CAT. #	DESCRIPTION	STD. PKG.	BARCODE
<b>Low Voltage Partitions* for 1-1/2" Depth Boxes and 2-Device Covers</b>			
706RAC	Fits 1/4", 1/2", 3/4" or 1" Cover Depth (#777, 778, 8778, 779, 8779, 780)	25	—
708	Fits 1-1/4", 1-1/2" or 2" Cover Depth (#781, 8781, 795, 796)	25	—
<b>Low Voltage Partitions* for 2-1/8" Depth Boxes and 2-Device Covers</b>			
707RAC	Fits 1/4", 1/2", 3/4" or 1" Cover Depth (#777, 778, 8778, 779, 8779, 780)	25	—
709	Fits 1-1/4", 1-1/2" or 2" Cover Depth (#781, 8781, 795, 796)	25	—

\*Low voltage partitions are not UL Listed  
 Boxes, covers, and partitions must be ordered separately.  
 For 1-1/2" deep box with 5/8" cover, partition not available. For 2-1/8" deep box with 5/8" cover, use #708 partition.  
 Partitions are usable but not UL listed for 4-11/16" sq. box.

4-11/16" SQUARE EXPOSED WORK COVERS



CATALOG #	DESCRIPTION	CUBIC IN. (CM <sup>3</sup> )	STD. PKG.	BARCODE
<b>4-11/16" Exposed Work Covers</b>				
856	1 Decorator device or GFCI	10.3 (168.7)	10	
857	2 Decorator devices or GFCI	10.3 (168.7)	10	
858	1 Toggle Switch and 1 GFCI	10.3 (168.7)	10	
870RAC	1 Toggle Switch	10.3 (168.7)	10	
878	30-50A Receptacle 2.141" Dia.	10.3 (168.7)	10	
887	20A Receptacle 1.594" Dia.	10.3 (168.7)	10	
888	30-60A Receptacle 2.625" Dia.	10.3 (168.7)	10	
959	1 Duplex and 1 GFCI	10.3 (168.7)	10	
972	1 Duplex Receptacle	10.3 (168.7)	10	
979	2 Duplex Receptacles	10.3 (168.7)	10	
881RAC	2 Toggle Switches	10.3 (168.7)	10	
876	1 Toggle Switch and 1 Duplex Receptacle	10.3 (168.7)	10	

**APPLICATIONS**

- RACO® surface covers are used to support switches or receptacles in areas where the box is surface mounted or positioned in exposed work applications

**PRODUCT FEATURES**

- RACO® exposed work covers include required hardware for mounting the receptacle(s)
- RACO® Exposed work covers meet the requirements of the 2014 NEC Article 250.146 (A). No bonding jumper is required for covers with:
  - (1) Crushed corners
  - (2) Two or more device attachment screws
  - (3) A lockwasher or equivalent
- Hardware and cover are packed in a poly-bag with printed catalog number, compliances and installation instructions

**COMPLIANCES**

-  File E195978



LIFE SAFETY SUPPORT PRODUCTS - IMMEDIATE IDENTIFICATION



911-9



911-6



911-12



911-3



911-4

**NEW!**



911-15



911-2



911-1

**APPLICATIONS**

- RACO® Red boxes and covers allow inspector or building owner to immediately identify alarm/fire or life safety systems

**PRODUCT FEATURES**

- 911-2, 911-1 boxes have 3-3/4" opening in wall that allows for a margin of error when using a standard 4" square cover
- 911-15 accepts all 4-11/16" square covers and mudrings
- Red boxes, covers and extensions for dedicated life safety alarm circuits

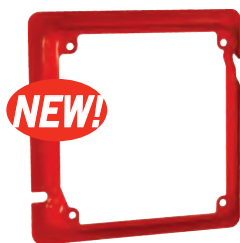
**COMPLIANCES**

- LISTED  
LISTED - UL E195978

CAT. #	DESCRIPTION	CUBIC INCHES (CM <sup>3</sup> )	KNOCKOUTS		STD. PKG.	BAR CODE
			SIDES CONDUIT	BOTTOM CONDUIT		
<b>Life Safety Steel Wall Boxes and Extension Rings – Painted Red</b>						
911-9	1-1/2" Depth, Welded, 4" Square	21.0 (344.1)	(8) 1/2", (4) TKO®	(2) 1/2", 2 TKO®	50	—
911-6	1-1/2" Depth, 4" Square, Drawn Extension Ring	22.5 (368.7)	(8) 1/2", (4) 3/4"	—	50	—
911-12	2-1/8" Depth, Welded, 4-11/16" Square	42.0 (688.2)	(12) TKO®	(1) 1/2", (3) TKO®	25	—
911-3	2-1/8" Depth, Welded, 4" Square	30.3 (496.5)	(8) 1/2", (4) TKO®	(3) 1/2", 2 TKO®	25	—
911-4	2-1/8" Depth, Welded, 4" Square, FM Bracket	30.3 (496.5)	(6) 1/2", (3) TKO®	(3) 1/2", 2 TKO®	25	—
<b>NEW!</b> 911-15	3-1/4" Depth Back Box, Welded, 4-11/16" Square	66.7 (1093.0)	(2) 1/2" - 3/4" TKO, (2) 1" - 1-1/4"TKO, (2) 1" - 2" Conc. KO	(2) 3/4" - 1" TKO, (2) 1/2" KO	10	—
911-2	3-1/2" Depth, Welded, 3-3/4" Square	45.0 (737.4)	(12) 1/2"-3/4" Concentric	(4) 1/2"-3/4" Concentric	25	—
911-1	3-1/2" Depth, Welded, 3-3/4" Square, FM Bracket	45.0 (737.4)	(10) 1/2"-3/4" Concentric	(4) 1/2"-3/4" Concentric	10	—



LIFE SAFETY SUPPORT PRODUCTS - IMMEDIATE IDENTIFICATION



911-16, 911-17



855, 859



911-8



911-11

APPLICATIONS

- RACO® Red boxes and covers allow inspector or building owner to immediately identify alarm/fire or life safety systems

PRODUCT FEATURES

- Red boxes, covers and extensions for dedicated life safety alarm circuits

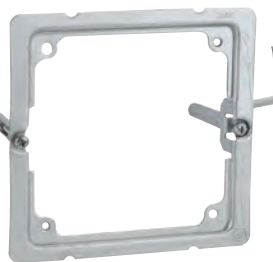
COMPLIANCES

- LISTED LISTED - UL E195978

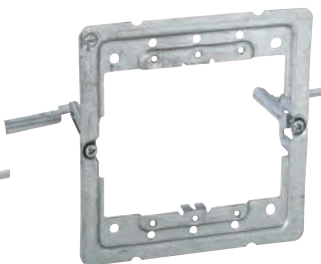
CATALOG #	DESCRIPTION	CUBIC IN. (CM <sup>3</sup> )	STD. PKG.	BARCODE
<b>Life Safety Steel Wall Boxes Covers</b>				
<b>NEW</b> 911-16	4-11/16" Sq. x 4" Sq. Adapter, 5/8" Raised, Painted Red	8.3 (136.0)	25	—
911-17	4-11/16" Sq. x 4" Sq. Adapter, 1-1/4" Raised, Painted Red	16.0 (262.0)	12	—
<b>NEW</b> 855	4-11/16" Sq. x 4" Sq. Adapter, 5/8" Raised	8.3 (136.0)	25	—
<b>NEW</b> 859	4-11/16" Sq. x 4" Sq. Adapter, 1-1/4" Raised	16.0 (262.0)	12	—
911-8	4" Sq., Flat Blank Cover, Painted Red	—	50	—
911-11	4-11/16" Sq., Flat Blank Cover, Painted Red	—	50	—



706RAC, 707RAC



205RAC



206RAC, 8206RAC

APPLICATIONS

- Low voltage partitions may be added to conduit-type boxes to divide power from voice/data
- Partitions must be used with raised covers
- RACO® RETRO-RING® is used to position any depth, 4" square steel junction box in a sheet rock covered wall cavity
- Use 205RAC is used in old work life safety appliance installations
- 206RAC is used in old work installations where one or two devices are required

PRODUCT FEATURES

- RACO® RETRO-RING® works in 3/8" to 1-1/2" thick wall or ceiling applications
- Small footprint is covered by most popular life safety devices
- Steel old work wings allow for secure mounting of box and devices to wall
- Includes one wall template per carton
- 206RAC allows for installation of steel low voltage partition for power/data applications. One or two devices mount directly to 206RAC

COMPLIANCE

- File E195973
- U.S. Patent 7,300,025,B2 (205RAC, 206RAC, 8206RAC)

CATALOG #	DESCRIPTION	STD. PKG.	BARCODE
<b>Low Voltage Box Partition</b>			
706RAC	Box Partition for RETRO-RING® and 1-1/2" Depth, 4" Sq. Box	25	—
707RAC	Box Partition for RETRO-RING® and 2-1/8" Depth, 4" Sq. Box	25	—
<b>Life Safety Steel Wall Box Mounting Brackets</b>			
205RAC	Old Work, 4" Sq. Box Mounting of Life Safety Support	20	—
206RAC	Old Work, 4" Sq. Box Mounting of One or Two Device Applications	20	—
8206RAC	Old Work, 4" Sq. Box Mounting of One or Two Device Applications	10	

\*Low voltage partitions are not UL Listed  
Boxes, covers, and partitions must be ordered separately.  
Partitions are usable but not UL listed for 4-11/16" sq. box.



BOXES FOR AUDIO, VIDEO, POWER AND DATA

**NEW!**



260

**NEW!**



263



256



255

**APPLICATIONS**

- RACO® Large capacity boxes are used for audio, video, data and power applications providing ample space for Cat 6A and fiber optic cable bends

**260 PRODUCT FEATURES**

- Large capacity design measures 4-11/16" H x 4-11/16" W x 3-1/4" D
- Accepts standard 4-11/16" square device and flat covers
- Ground screws provided

**263 PRODUCT FEATURES**

- Large capacity design measures 4-11/16" H x 7-3/4" W x 3-1/4" D
- Accepts standard 4" square device and flat covers or 792, 793, 794 3-gang device covers
- Built-in tabs allow for spanner bars
- Includes 1/2" thru 2" knockouts
- Accepts 981 voltage partition (UL Listed)
- Ground screws provided

**255 AND 256 PRODUCT FEATURES**

- Large capacity design measures 3-3/4" H x 3-3/4" W x 3-1/2" D
- Accepts standard 4" square device and flat covers

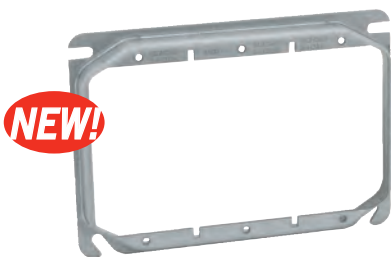
**COMPLIANCE**

- LISTED, Outlet Box, 731A

Patent Pending (263)

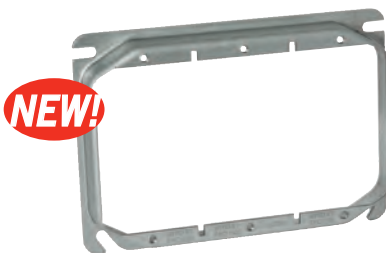
CAT. #	DESCRIPTION	CUBIC INCHES (CM <sup>3</sup> )	KNOCKOUTS		STD. PKG.	BAR CODE
			SIDES CONDUIT	BOTTOM CONDUIT		
<b>4-11/16" Large Capacity Steel Wall Boxes, 3-1/4" Deep – Welded with Conduit KO's</b>						
<b>NEW</b> 260	Raised Ground	66.7 (1093)	(2) 1/2" - 3/4" TKO, (2) 1" - 1-1/4"TKO, (2) 1" - 2" Conc. KO	(2) 3/4" - 1" TKO, (2) 1/2" KO	10	—
<b>NEW</b> 263	Raised Ground	113.3 (1856.6)	(6) 1/2" - 3/4" TKO, (2) 3/4" - 1" TKO, (2) 1" - 1-1/4"TKO, (2) 1" - 2" Conc. KO	(2) 1/2"-3/4" TKO, (2) 3/4" - 1" TKO, (2) 1" - 1-1/4" TKO	6	—
<b>3-3/4" Square Large Capacity Steel Wall Boxes, 3-1/2" Deep – Welded with Conduit KO's</b>						
256	—	45.0 (737.4)	(12) 1/2"-3/4" Concentric	(4) 1/2"-3/4" Concentric	25	
255	FM Bracket	45.0 (737.4)	(10) 1/2"-3/4" Concentric	(4) 1/2"-3/4" Concentric	10	

COVERS AND PARTITIONS



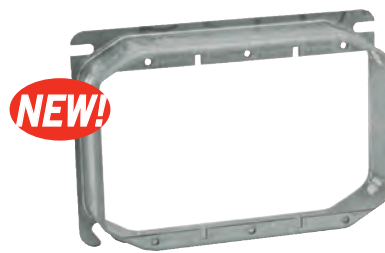
**NEW!**

792



**NEW!**

793



**NEW!**

794



**NEW!**

855, 859



**NEW!**

981

CAT. #	DESCRIPTION	CUBIC IN. (CM <sup>3</sup> )	FITS CAT. #	STD. PKG.	BARCODE
<b>3-Gang Raised Device Covers – For 263 Box</b>					
<b>NEW</b> 792	5/8" Raised	10.3 (168.8)	263	10	—
<b>NEW</b> 793	3/4" Raised	12.7 (208.1)	263	10	—
<b>NEW</b> 794	1-1/4" Raised	24.2 (396.6)	263	5	—
<b>2-Gang Raised Device Cover – For 4-11/16" Box</b>					
<b>NEW</b> 855	5/8" Raised, For Life Safety Appliances & Emergency Exit Signs	8.3 (136.0)	260 and 911-15	25	—
<b>NEW</b> 859	1-1/4" Raised, For Life Safety Appliances & Emergency Exit Signs	16.0 (262.0)	260 and 911-15	12	—
<b>Voltage Partition</b>					
<b>NEW</b> 981	For 5/8", 3/4", 1-1/4" covers for 260 and 263 boxes	—	260 and 263	25	—

**APPLICATIONS**

- RACO® Large capacity boxes are used for audio, video, data and power applications providing ample space for Cat 6A and fiber optic cable bends
- 792, 793 and 794 covers are solely for RACO® 263 data box. The 3-gang raised covers are 5/8", 3/4" and 1-1/4" raised respectively
- 855 is designed to reduce 4-11/16" square box to 4" sq. box openings

**PRODUCT FEATURES**

- Use with standard 4" square single or double mudrings or 3 gangs special covers (263)
- 855 provides flush mounting of lighting controllers, exit signs and life safety appliances
- Accepts UL Listed Voltage Partition, Cat. No. 981

**COMPLIANCE**

- c  LISTED, Outlet Box, 731A

**CEILING BOXES AND COVERS**



**CEILING FAN AND FIXTURE SUPPORT PRODUCTS**

**APPLICATIONS**

- RACO® Ceiling Support Boxes are specifically designed for ceiling fan and ceiling or wall light fixture support

**PRODUCT FEATURES**

- 1/2" side knockouts (294, 294-1, 296, 296-1 and 299)
- No protruding ground screw or fan mounting screws allows easy installation
- #10-32, 1" long ceiling fan screws provided and provision for #8-32 fixture mounting screw (291-1, 294-1, 294, 296-1, 296 and 299)
- Setback tab allows for easy box installation of different wall thickness (294-1, 294)
- Metal protection plate eliminates debris or damage to wiring
- Easy to follow instructions and mounting hardware included
- Graduated markings for 1/2" to 1-1/4" thick sheetrock (Cat. No. 291-1)

**GORILLA RING® CONCRETE RING APPLICATION**

- Concrete rings are used with poured deck (floor) in high-rise construction
- GORILLA RING features mounting screws that allow for safe and secure mounting of any chandeliers, or lighting fixtures 70 lbs. or less
- Double row of KO's allow greater installation flexibility with a minimum of bends or offsets for working around reinforcing rods

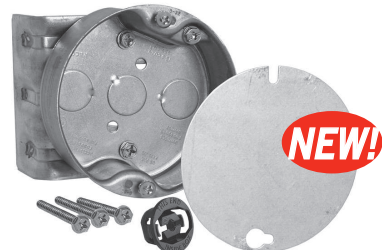
**COMPLIANCE**

-  File E195978

U.S. Patents 7,148,420, 7,211,744



295-1, 295



291-1



294-1, 294



296-1, 296



299



GORILLA-RING® 284

CAT. #	DESCRIPTION	CUBIC INCHES (CM <sup>3</sup> )	KNOCKOUTS			RECOMMENDED MAX. LOADS		STD. PKG.	BAR CODE
			CABLE PRIOUTS	SIDES CONDUIT	BOTTOM CONDUIT	CEILING FAN (DYNAMIC) LBS.	FIXTURE (STATIC) LBS.		
<b>4" Round Ceiling Fan Pan – Drawn with Conduit KO's</b>									
295-1	1/2" Depth	6.0 (98.3)	INSIDER	—	(5) 1/2"	70	150	10	—
295*	1/2" Depth	6.0 (98.3)	INSIDER	—	(5) 1/2"	70	150	10	
<b>4" Round Ceiling Box – Drawn with Conduit KO's</b>									
<b>NEW</b> 291-1	1-1/2" Depth	15.8 (258.9)	INSIDER	—	(3) 1/2"	70	150	20	—
<b>NEW</b> 294-1	2-1/8" Depth, Old and New Work	22.3 (365.4)	INSIDER	(2) 1/2"	(1) 1/2"	70	70/150**	10	—
294*	2-1/8" Depth, Old and New Work	22.3 (365.4)	INSIDER	(2) 1/2"	(1) 1/2"	70	70/150**	10	
296-1	1-1/2" Depth	15.8 (258.9)	INSIDER	(2) 1/2"	(3) 1/2"	70	150	20	—
296*	1-1/2" Depth	15.8 (258.9)	INSIDER	(2) 1/2"	(3) 1/2"	70	150	8	
299*	2-1/8" Depth	22.4 (367.1)	INSIDER	(2) 1/2"	(3) 1/2"	70	150	6	
<b>GORILLA-RING® – Concrete Ring for Ceiling Fan Support</b>									
284	4" Deep, Double Row Side Knockouts	49.3 (807.9)	—	(4) 3/4" (6) 1/2"	—	35	70	6	—

\* Packaged in a stackable, individual chipboard display cartons. Sold in master carton quantities only. Hubbell® RACO® does not break carton quantities on these items. 4714, THE INSIDER® will secure nonmetallic sheathed cable in 1/2" KO (See pg. B75).

\*\* New work applications rated at 150 lbs. Old work applications rated at 70 lbs.

CEILING FAN AND FIXTURE SUPPORT PRODUCTS



926, 926-1



936



937

APPLICATIONS

- RACO® RETRO-BRACE® is intended for installations of heavy lighting fixtures or ceiling paddle fans in old work or new work applications
- RACO® KWIK-BRACE® is a heavy-duty ceiling fan brace designed for new or existing construction where joists are accessible

FEATURES

- KWIK-BRACE®
  - Slides apart to accommodate joist spacing from 16" to 24", screws provided
  - #10-32 ceiling fan screws provided and #8-32 ceiling fixture mounting provisions
  - Metal protection plate included
  - Nail spurs for easy brace positioning
  - Easy installation, up front ground screws
  - Easy to follow instructions and mounting hardware included
- RETRO-BRACE®
  - Adjustable for joist spacing from 16" to 24"
  - Simple "tool free" expansion of brace
  - Easy installation, up front ground screw
  - #10-32 ceiling fan screws provided and #8-32 ceiling fixture mounting provisions
  - Easy to follow instructions and mounting hardware included

COMPLIANCE

-  File E195978



U.S. Patents 7,148,420, 6,595,479, 7,191,994

CAT. #	DESCRIPTION	CUBIC INCHES (CM <sup>3</sup> )	KNOCKOUTS			RECOMMENDED MAX. LOADS				STD. PKG.	BAR CODE
			CABLE PRIOUTS	SIDES CONDUIT	BOTTOM CONDUIT	CEILING FAN (DYNAMIC) LBS.		FIXTURE (STATIC) LBS.			
						16" JOIST SPAN	24" JOIST SPAN	16" JOIST SPAN	24" JOIST SPAN		
<b>KWIK-BRACE® with Box – New Construction Braces for Lighting Fixtures or Ceiling Fans</b>											
926-1	1-1/2" Depth	15.8 (258.9)	INSIDER	—	(3) 1/2"	70	70	210	90	12	
926*	1-1/2" Depth	15.8 (258.9)	INSIDER	—	(3) 1/2"	70	70	210	90	6	
<b>RETRO-BRACE® with Box – Remodeling Kits for Lighting Fixtures or Ceiling Fans</b>											
936*	1-1/2" Depth	15.8 (258.9)	INSIDER	—	(3) 1/2"	70	35	110	50	6	
937*	2-1/8" Depth	22.4 (367.1)	INSIDER	—	(3) 1/2"	70	35	110	50	4	

\* Packaged in a stackable, individual chipboard display cartons. Sold in master carton quantities only. Hubbell® RACO® does not break carton quantities on these items. 4714, THE INSIDER® will secure nonmetallic sheathed cable in 1/2" KO (See pg. B75).

**CEILING BOXES AND COVERS**



**CEILING FAN AND FIXTURE SUPPORT PRODUCTS**

**APPLICATION**

- GRID-BRACE™ ceiling support assembly is specifically designed for ceiling fan or fixture support for suspended ceilings

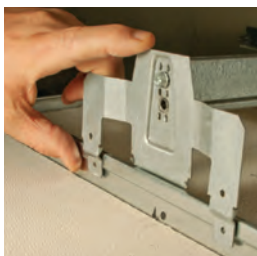
**PRODUCT FEATURES**

- Heavy-duty GRID-BRACE™ for 24" spans
- Turnbuckle and 4' chain section provided
- Yoke provided for threaded rod installation
- Mount box anywhere on sliding bracket
- Spacers provided for decorative ceiling tiles that are below the depth of metal grid for flush mounting of box →
- #10-32 grade 5, 1" ceiling fan screws included
- Easy to follow instructions included

**NEW!**



**931**



**COMPLIANCE**

- File E195978
- U.S. Patents 7,148,420, U.S. Patent Pending

CAT. #	DESCRIPTION	CUBIC INCHES (CM <sup>3</sup> )	KNOCKOUTS			RECOMMENDED MAX. LOADS		STD. PKG.	BAR CODE
			SIDES	BOTTOM CONDUIT	CEILING FAN (DYNAMIC) LBS.	FIXTURE (STATIC) LBS.			
<b>NEW</b> 931	GRID-BRACE™ For Suspended Ceilings, 2-1/8" Deep Ceiling Fan Support for Suspended Ceilings	22.3 (365.4)	(2) 1/2"	(2) Conc. 1/2" & 3/4"	70	70	4		

**CEILING PANS**

**APPLICATION**

- RACO® Ceiling Pans are used in the installation of ceiling or wall lighting fixtures

**PRODUCT FEATURES**

- Combination screw heads provide for faster installation

**COMPLIANCE**

- File E195978
- U.S. Patent 7,148,420, 4,892,211
- Canada 1,324,360 Mexico 166,125



**292, 8292**



**287**



**293, 8293**

CAT. #	DESCRIPTION	CUBIC INCHES (CM <sup>3</sup> )	KNOCKOUTS			RECOMMENDED MAX. LOADS		STD. PKG.	BAR CODE
			CABLE PRIOUTS	SIDES CONDUIT	BOTTOM CONDUIT	CEILING FAN (DYNAMIC) LBS.	FIXTURE (STATIC) LBS.		
<b>3-1/2" Round Ceiling Pan – Drawn with Nonmetallic Sheathed Cable Clamps</b>									
292	1/2" Depth	4.0 (65.5)	4	—	(1) 1/2"	No	50	50	—
8292	1/2" Depth	4.0 (65.5)	4	—	(1) 1/2"	No	50	25	
287	3/4" Depth	5.0 (81.9)	4	—	(1) 1/2"	No	50	50	—
<b>4" Round Ceiling Pan – Drawn with Conduit KO's</b>									
293	1/2" Depth	6.0 (98.3)	—	—	(5) 1/2"	No	50	50	—
8293	1/2" Depth	6.0 (98.3)	—	—	(5) 1/2"	No	50	50	



CEILING BOXES AND COVERS

3-1/2" OCTAGON BOXES – DRAWN



112



119

APPLICATIONS

- RACO® Octagon Boxes are used in the installation of ceiling or wall lighting fixtures

PRODUCT FEATURES

- Combination screw heads provide for faster installation
- Reference the Box Selection section in the front of this catalog for complete description of bracket types and features

COMPLIANCE

- File E195978

CAT. #	DESCRIPTION	CUBIC INCHES (CM <sup>3</sup> )	KNOCKOUTS			RECOMMENDED MAX. LOADS		STD. PKG.	BAR CODE
			CABLE PRIOUTS	SIDES CONDUIT	BOTTOM CONDUIT	CEILING FAN (DYNAMIC) LBS.	FIXTURE (STATIC) LBS.		
<b>3-1/2" Octagon Box, 1-1/2" Deep – Drawn with Nonmetallic Sheathed Cable Clamps</b>									
112	—	11.8 (193.4)	4	(2) 1/2"	(1) 1/2"	No	50	25	
119	TS Bracket, 1/2"	11.8 (193.4)	4	(1) 1/2"	(1) 1/2"	No	50	25	



CEILING BOXES AND COVERS



110



111

APPLICATIONS

- RACO® Octagon Boxes are used in the installation of ceiling or wall lighting fixtures
- Extension rings provide a means for adding additional cubic capacity or as an outlet box for surface conduit

PRODUCT FEATURES

- Combination screw heads provide for faster installation
- Reference the Box Selection section in the front of this catalog for complete description of bracket types and features

COMPLIANCE

- File E195978

CAT. #	DESCRIPTION	CUBIC INCHES (CM <sup>3</sup> )	KNOCKOUTS			RECOMMENDED MAX. LOADS		STD. PKG.	BAR CODE
			CABLE PRIOUTS	SIDES CONDUIT	BOTTOM CONDUIT	CEILING FAN (DYNAMIC) LBS.	FIXTURE (STATIC) LBS.		
<b>3-1/2" Octagon Box, 1-1/2" Deep – Drawn with Conduit KO's</b>									
110	—	11.8 (193.4)	—	(4) 1/2"	(1) 1/2"	No	50	25	
<b>3-1/2" Octagon Extension Ring, 1-1/2" Deep – Drawn with Conduit KO's</b>									
111	—	11.8 (193.4)	—	(4) 1/2"	—	No	—	25	



4" OCTAGON BOXES AND EXTENSION RINGS – DRAWN WITH CONDUIT KO'S

**APPLICATIONS**

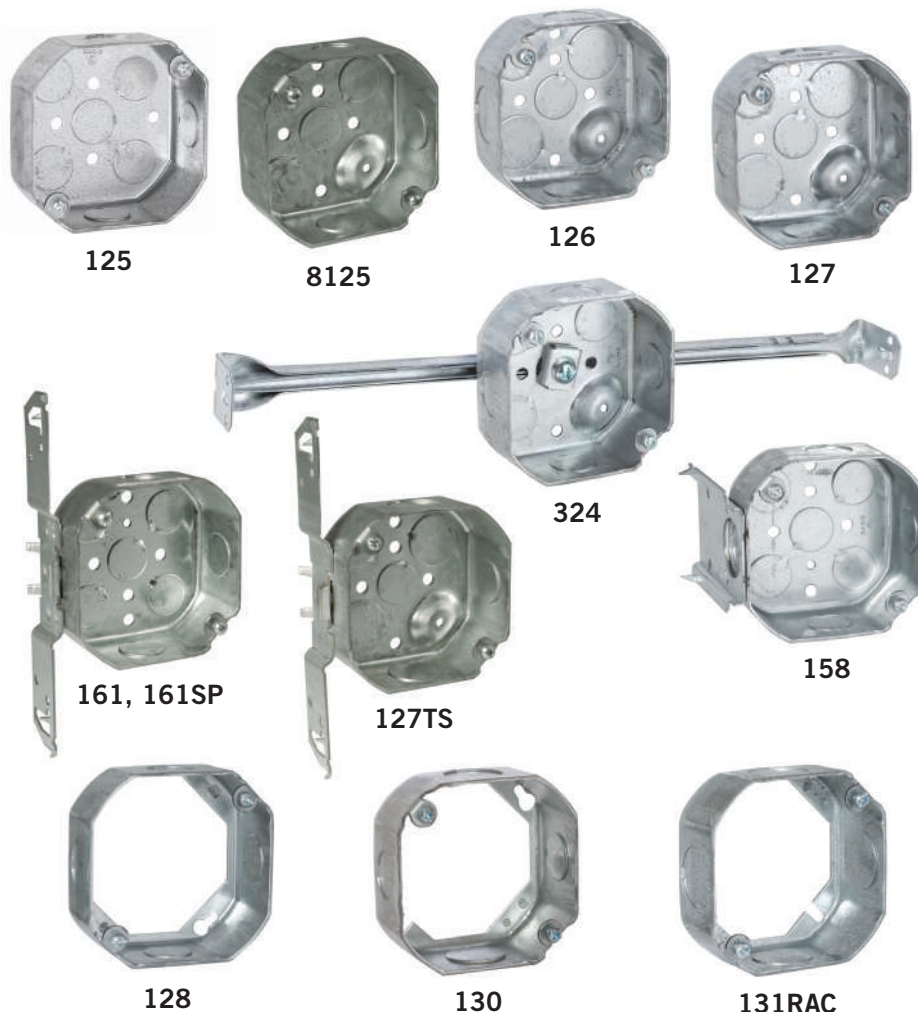
- RACO® Octagon Boxes are used in the installation of ceiling or wall lighting fixtures
- Extension rings provide a means for adding additional cubic capacity or as an outlet box for surface conduit

**PRODUCT FEATURES**

- Combination screw heads provide for faster installation
- Reference the Box Selection section in the front of this catalog for complete description of bracket types and features
- Fixture bar hanger allows box to be located anywhere along length of bar

**COMPLIANCE**

- File E195978
- File LR-1082 (128, 130, 131RAC)



CAT. #	DESCRIPTION	CUBIC INCHES (CM <sup>3</sup> )	KNOCKOUTS		RECOMMENDED MAX. LOADS		STD. PKG.	BAR CODE
			SIDES CONDUIT	BOTTOM CONDUIT	CEILING FAN (DYNAMIC) LBS.	FIXTURE (STATIC) LBS.		
<b>4" Octagon Box, 1-1/2" Deep – Drawn with Conduit KO's</b>								
125	—	15.5 (254.0)	(4) 1/2"	(5) 1/2"	No	50	50	—
8125	Raised Ground	15.5 (254.0)	(4) 1/2"	(4) 1/2"	No	50	50	
126	Raised Ground	15.5 (254.0)	(4) 3/4"	(2) 1/2", (2) 3/4"	No	50	50	
127	Raised Ground	15.5 (254.0)	(2) 1/2", (2) 3/4"	(2) 1/2", (2) 3/4"	No	50	25	
127TS	Raised Ground, TS Bracket, 1/2" Setback	15.5 (254.0)	(1) 1/2", (2) 3/4"	(2) 1/2", (2) 3/4"	No	50	25	
158	J Bracket, 3/8" or 1/2" Setback	15.5 (254.0)	(4) 1/2"	(5) 1/2"	No	50	50	
161	TS Bracket, 1/2" Setback	15.5 (254.0)	(3) 1/2"	(5) 1/2"	No	50	25	
161SP	TS Bracket, 1/2" Setback	15.5 (254.0)	(3) 1/2"	(5) 1/2"	No	50	12	
324	Raised Ground, Box with 14-1/4" to 22-1/2" Bar Hanger	15.5 (254.0)	(4) 1/2"	(3) 1/2"	No	10*	25	
<b>4" Octagon Extension Rings, 1-1/2" Deep – Drawn with Conduit KO's</b>								
128	—	15.5 (254.0)	(4) 1/2"	—	No	50	25	
130	—	15.5 (254.0)	(2) 1/2", (2) 3/4"	—	No	50	25	
131RAC	—	15.5 (254.0)	(4) 3/4"	—	No	50	25	

\* 10 lbs max. load recommended. UL Rated for 50 lbs on 16" centers.

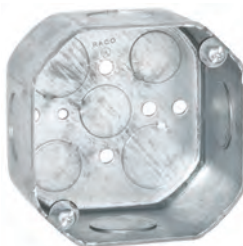




4" OCTAGON DEEP BOXES – DRAWN WITH CONDUIT KO'S



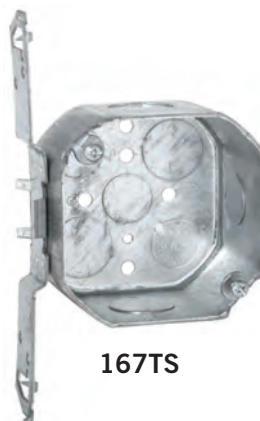
165



166



167



167TS

**APPLICATIONS**

- RACO® Octagon Boxes are used in the installation of ceiling or wall lighting fixtures
- Combination screw heads provide for faster installation

**COMPLIANCE**

- File E195978

CAT. #	DESCRIPTION	CUBIC INCHES (CM <sup>3</sup> )	KNOCKOUTS		RECOMMENDED MAX. LOADS		STD. PKG.	BAR CODE
			SIDES CONDUIT	BOTTOM CONDUIT	CEILING FAN (DYNAMIC) LBS.	FIXTURE (STATIC) LBS.		
<b>4" Octagon Box, 2-1/8" Deep – Drawn with Conduit KO's</b>								
165	—	21.5 (352.3)	(4) 1/2"	(5) 1/2"	No	50	50	IIIIIIII
166	—	21.5 (352.3)	(4) 3/4"	(3) 1/2", (2) 3/4"	No	50	50	—
167	—	21.5 (352.3)	(2) 1/2", (2) 3/4"	(3) 1/2", (2) 3/4"	No	50	25	—
167TS	TS Bracket, 1/2" Setback	21.5 (352.3)	(1) 1/2", (2) 3/4"	(3) 1/2", (2) 3/4"	No	50	25	—



4" OCTAGON BOXES – DRAWN WITH ARMORED CABLE / METAL CLAD / FLEX CLAMPS

**APPLICATIONS**

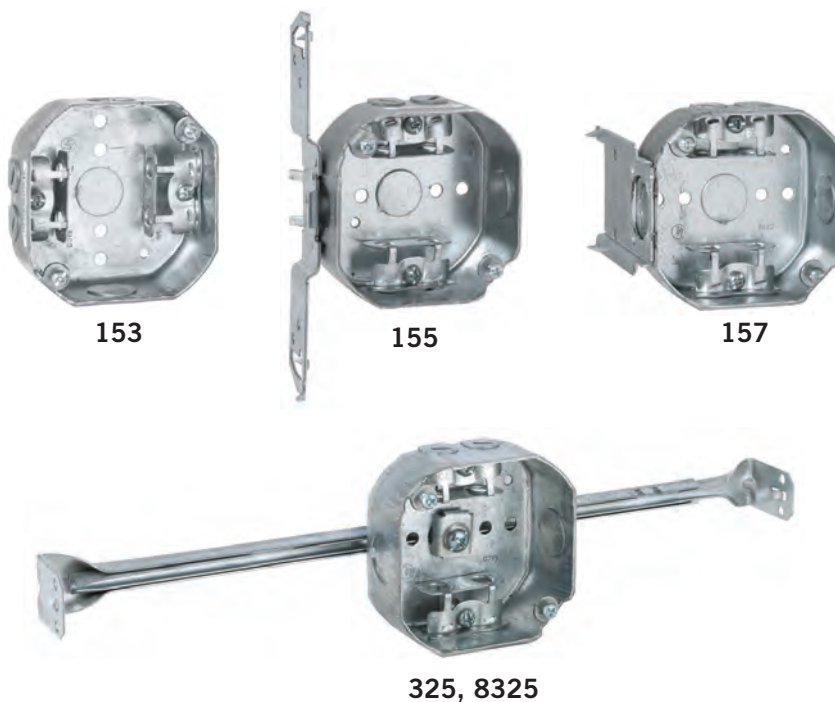
- RACO® Octagon Boxes are used in the installation of ceiling or wall lighting fixtures

**PRODUCT FEATURES**

- RACO® offers a variety of labor saving mounting brackets that allow for easy positioning of box along studs or joists
- Reference the Box Selection section in the front of this catalog for complete description of bracket types and features
- Fixture bar hanger allows box to be located anywhere along length of bar

**COMPLIANCE**

- File E195978

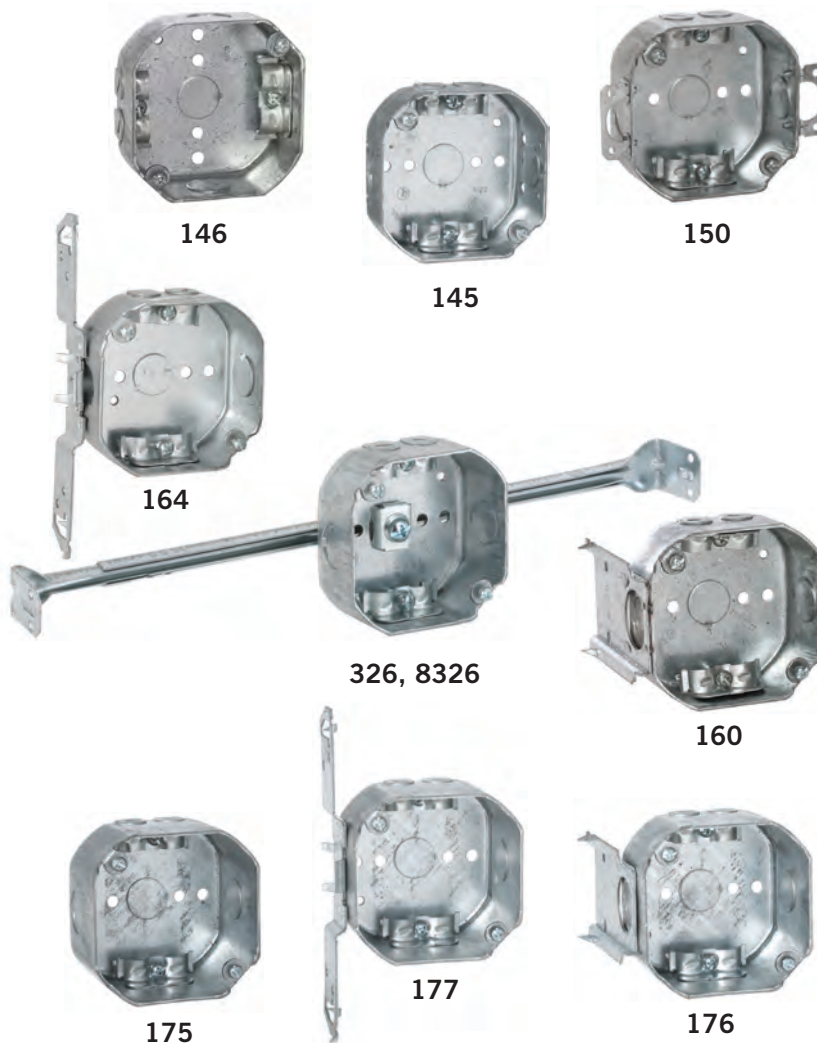


CAT. #	DESCRIPTION	CUBIC INCHES (CM <sup>3</sup> )	KNOCKOUTS			RECOMMENDED MAX. LOADS		STD. PKG.	BAR CODE
			CABLE PRIOUTS	SIDES CONDUIT	BOTTOM CONDUIT	CEILING FAN (DYNAMIC) LBS.	FIXTURE (STATIC) LBS.		
<b>4" Octagon Box, 1-1/2" Deep – Drawn with Armored Cable/Metal Clad/Flex Clamps</b>									
153	—	15.5 (254.0)	4	(2) 1/2"	(1) 1/2"	No	50	25	
155	TS Bracket, 1/2" Setback	15.5 (254.0)	4	(1) 1/2"	(1) 1/2"	No	50	50	
157	J Bracket, 3/8" or 1/2" Setback	15.5 (254.0)	4	(2) 1/2"	(1) 1/2"	No	50	50	
325	Box with 14-1/4" to 22-1/2" bar hanger	15.5 (254.0)	4	(2) 1/2"	—	No	10*	25	—
8325	Box with 14-1/4" to 22-1/2" bar hanger	15.5 (254.0)	4	(2) 1/2"	—	No	10*	25	

\* 10 lbs max. load recommended. UL Rated for 50 lbs on 16" centers.



4" OCTAGON BOXES – DRAWN WITH NONMETALLIC SHEATHED CABLE CLAMPS



**APPLICATIONS**

- RACO® Octagon Boxes are used in the installation of ceiling or wall lighting fixtures

**PRODUCT FEATURES**

- RACO® offers a variety of labor saving mounting brackets that allow for easy positioning of box along studs or joists
- Reference the Box Selection section in the front of this catalog for complete description of bracket types and features
- Fixture bar hanger allows box to be located anywhere along length of bar
- Combination screw heads provide for faster installation

**COMPLIANCE**

- File E195978

CAT. #	DESCRIPTION	CUBIC INCHES (CM <sup>3</sup> )	KNOCKOUTS			RECOMMENDED MAX. LOADS		STD. PKG.	BAR CODE
			CABLE PRIOUTS	SIDES CONDUIT	BOTTOM CONDUIT	CEILING FAN (DYNAMIC) LBS.	FIXTURE (STATIC) LBS.		
<b>4" Octagon Box, 1-1/2" Deep – Drawn with Nonmetallic Sheathed Cable Clamps</b>									
146	—	15.5 (254.0)	4	(2) 1/2"	(1) 1/2"	No	50	25	
145	Side holes, 1/8" and 1/4"	15.5 (254.0)	4	(2) 1/2"	(1) 1/2"	No	50	50	—
150	Plaster Ears	15.5 (254.0)	4	(2) 1/2"	(1) 1/2"	No	50	25	
160	J Bracket, 3/8" or 1/2" Setback	15.5 (254.0)	4	(2) 1/2"	(1) 1/2"	No	50	25	
164	TS Bracket, 1/2" Setback	15.5 (254.0)	4	(1) 1/2"	(1) 1/2"	No	50	25	
326	Box with 14-1/4" to 22-1/2" bar hanger	15.5 (254.0)	4	(2) 1/2"	—	No	10*	25	—
8326	Box with 14-1/4" to 22-1/2" bar hanger	15.5 (254.0)	4	(2) 1/2"	—	No	10*	25	
<b>4" Octagon Box, 2-1/8" Deep – Drawn with Nonmetallic Sheathed Cable Clamps</b>									
175	—	21.5 (352.3)	4	(2) 1/2"	(1) 1/2"	No	50	25	
176	J Bracket, 5/8" Setback	21.5 (352.3)	4	(2) 1/2"	(1) 1/2"	No	50	25	
177	TS Bracket, 1/2" Setback	21.5 (352.3)	4	(1) 1/2"	(1) 1/2"	No	50	25	—

\* 10 lbs max. load recommended. UL Rated for 50 lbs on 16" centers.

CEILING BOXES AND COVERS



ROUND COVERS FOR 3-1/2" AND 4" OCTAGON BOXES



703, 8703-5



895



894KH



727, 732, 737

APPLICATION

- Covers are used to close an outlet box
- Raised covers are used for mounting lighting fixtures

PRODUCT FEATURES

- Combination screw heads provide for faster installation
- Swivel cover restricted to 20° swing from vertical
- KWIK-HANG® allows easy installation of high bay lighting fixtures. Fixture rests in position while wiring is completed

COMPLIANCE

- File E195978
- File LR-1082 (722, 729, 731)

U.S. Patent 7,148,420, 7,211,744  
Patent Pending (894KH)

CAT. #	DESCRIPTION	CUBIC INCHES (CM <sup>3</sup> )	RECOMMENDED MAX. LOADS		STD. PKG.	BAR CODE
			CEILING FAN (DYNAMIC) LBS.	FIXTURE (STATIC) LBS.		
<b>3-1/2" Round Cover</b>						
703	Flat, 1/2" KO In Center	—	No	—	25	
8703-5*	Flat, 1/2" KO In Center	—	No	—	50	
<b>3-1/2" or 4" Swivel Fixture, Support Covers</b>						
895	For 3-1/2" or 4" Octagon Boxes, 1/2" or 3/4" Conduit	—	No	50	25	
<b>NEW</b> 894KH	Kwik-Hang®, For 3-1/2" or 4" Octagon Boxes, 1/2" or 3/4" Conduit	—	No	50	25	
<b>4" Round Raised Cover</b>						
737	Raised 1/2", Open, Ears 2-3/4" O.C.	3.3 (54.1)	No	50	25	
727	Raised 5/8", Open, Ears 2-3/4" O.C.	3.8 (62.2)	No	50	25	
732	Raised 1", Open, Ears 2-3/4" O.C.	6.5 (106.5)	No	50	25	—

\*5 Bundles of 10 – sold in carton quantities only

OCTAGON AND ROUND COVERS



722, 8722-5



724, 8724-5



729



731, 8731-5



5652-1



5653-1



5654-1

CATALOG #	DESCRIPTION	PKG. TYPE	STD. PKG.	BARCODE
<b>4" Octagon and Round Covers</b>				
722	Flat, blank	—	50	
8722-5*	Flat, blank	—	50	
724	Flat, 1/2" KO	—	50	
8724-5*	Flat, 1/2" KO	—	50	
729	Flat, toggle switch	—	50	
731	Flat, duplex receptacle	—	25	
8731-5*	Flat, duplex receptacle	—	50	
<b>5" Round Steel Closure Plates</b>				
5652-1	Off-white, screw and universal mount strap	Shrink	10	—
5653-1	Off-white, (2) 8-32 screws, direct mount to fixture outlet box	Shrink	10	—
5654-1	Off-white, fixture stud and universal mount strap	Shrink	10	—

APPLICATIONS

- Covers are used to close an outlet box
- Switches or receptacles may be installed into octagon boxes by using covers 729 or 731

PRODUCT FEATURES

- 5" round covers feature state-of-the-art powder coat paint finish which provides a light texture finish and scratch resistance

COMPLIANCE

- File E195978
- File LR-1082 (722, 729, 731)

\*5 Bundles of 10 – sold in carton quantities only



SINGLE DEVICE HANDY BOXES AND EXTENSION RINGS



APPLICATIONS

- RACO® Handy boxes, also called utility boxes, are used for convenience outlets, switch boxes or small junction boxes
- They are popular for exposed work applications (surface mounted wiring)
- The NEC requires that surface-mounted wiring be enclosed with a protective covering such as EMT conduit

PRODUCT FEATURES

- Reference the Box Selection section in the front of this catalog for complete description of bracket types and features

COMPLIANCES

- File E195978
- File LR-1082 (611 and 650CSA only)
- All RACO® Handy Box, U.L. listed steel boxes are acceptable for use in 2-hour fire rated walls.

CAT. #	DESCRIPTION	CUBIC INCHES (CM <sup>3</sup> )	KNOCKOUTS			STD. PKG.	BAR CODE
			SIDES CONDUIT	ENDS CONDUIT	BOTTOM CONDUIT		
<b>4" x 2" Handy Boxes, 1-1/2" Deep – Welded with Conduit KO's</b>							
650	—	11.5 (188.5)	(6) 1/2"	(2) 1/2"	(3) 1/2"	50	—
8650	—	11.5 (188.5)	(6) 1/2"	(2) 1/2"	(3) 1/2"	25	
650CSA	With Ground Screw Driven	11.5 (188.5)	(6) 1/2"	(2) 1/2"	(3) 1/2"	50	—
655	B Bracket, 1/4" Setback	11.5 (188.5)	(3) 1/2"	(2) 1/2"	(3) 1/2"	50	—
<b>4" x 2" Handy Box Extension Rings, 1-1/2" Deep – Welded with Conduit KO's</b>							
653	—	11.5 (188.5)	(6) 1/2"	(2) 1/2"	—	25	
<b>4" x 2" Handy Boxes, 1-7/8" Deep – Drawn with Conduit KO's</b>							
660	Raised Ground	13.0 (213.0)	(6) 1/2"	(2) 1/2"	(2) 1/2"	50	—
8660	Raised Ground	13.0 (213.0)	(6) 1/2"	(2) 1/2"	(2) 1/2"	50	
611	Raised Ground, With Ground Screw Driven	13.0 (213.0)	(6) 1/2"	(2) 1/2"	(2) 1/2"	50	—
660SM	10" #12 Stranded Copper Pigtail, Raised Ground	13.0 (213.0)	(6) 1/2"	(2) 1/2"	(2) 1/2"	50	
661	Raised Ground, A Bracket, 5/8" Setback	13.0 (213.0)	(3) 1/2"	(2) 1/2"	(3) 1/2"	25	
<b>NEW</b> 661SP	Raised Ground, A Bracket, 5/8" Setback	13.0 (213.0)	(3) 1/2"	(2) 1/2"	(3) 1/2"	18	
662	Raised Ground, TS Bracket, 1/2" Setback	13.0 (213.0)	(3) 1/2"	(2) 1/2"	(3) 1/2"	25	
<b>NEW</b> 662SP	Raised Ground, TS Bracket, 1/2" Setback	13.0 (213.0)	(3) 1/2"	(2) 1/2"	(3) 1/2"	18	
663	Raised Ground	13.0 (213.0)	(4) 3/4"	(2) 3/4"	(1) 3/4"	50	—
8663	Raised Ground, 1-7/8" Depth (inside),	13.0 (213.0)	(4) 3/4"	(2) 3/4"	(1) 3/4"	25	
663SM	10" #12 Stranded Copper Pigtail, Raised Ground	13.0 (213.0)	(4) 3/4"	(2) 3/4"	(1) 3/4"	50	
<b>NEW</b> 666	Raised Ground	13.0 (213.0)	(6) 1/2"	(1) 1/2" (1) 3/4"	—	50	—
<b>4" x 2" Handy Box Extension Rings, 1-7/8" Deep – Drawn with Conduit KO's</b>							
665	—	13.0 (213.0)	(6) 1/2"	(2) 1/2"	—	25	



SINGLE DEVICE HANDY BOXES AND COVERS



670RAC, 8670



674



678



671



640



880



860



861



862



865



864



863



867

CAT. #	DESCRIPTION	CUBIC INCHES (CM <sup>3</sup> )	KNOCKOUTS			STD. PKG.	BAR CODE
			SIDES CONDUIT	ENDS CONDUIT	BOTTOM CONDUIT		
<b>4" x 2" Handy Boxes, 2-1/8" Deep – Welded with Conduit KO's</b>							
670RAC	—	16.5 (270.4)	(6) 1/2"	(2) 1/2"	(3) 1/2"	50	—
8670	—	16.5 (270.4)	(6) 1/2"	(2) 1/2"	(3) 1/2"	25	
674	—	16.5 (270.4)	(4) 3/4"	(2) 3/4"	(2) 3/4"	50	
678	TS Bracket, 1/2" Setback	16.5 (270.4)	(3) 1/2"	(2) 1/2"	(3) 1/2"	25	
671	A Bracket, 5/8" Setback	16.5 (270.4)	(3) 1/2"	(2) 1/2"	(3) 1/2"	50	
<b>3-3/4" x 1-9/16" Industrial Handy Box and Cover – Drawn with Conduit KO's</b>							
640	1-1/2" Depth	7.3 (119.6)	(6) 1/2"	(2) 1/2"	(3) 1/2"	50	—
880	Blank Cover with Captive Screws	—	—	—	—	50	—

CATALOG #	DESCRIPTION	STD. PKG.	BARCODE
<b>4" x 2" Handy Box Covers – 2-5/16" Wide x 4-3/16" Length</b>			
860	Blank	25	
861	1/2" KO, Centered	25	
862	GFCI	25	
865	Toggle Switch	25	
864	Duplex Receptacle	25	
863	Single Receptacle, 1.406" Dia.	25	
867	20A Receptacle, 1.594" Dia.	25	

APPLICATIONS

- RACO® Handy boxes, also called utility boxes, are used for convenience outlets, switch boxes or small junction boxes
- They are popular for exposed work applications (surface mounted wiring)
- The NEC requires that surface-mounted wiring be enclosed with a protective covering such as EMT conduit
- RACO® Handy Box covers are used to close a Handy Box
- Covers also may be used as single gang wall plates

PRODUCT FEATURES

- Reference the Box Selection section in the front of this catalog for complete description of bracket types and features
- RACO® Handy Box covers are designed to match the contours of the box
- Cover corners are rounded
- All covers have captive screws

COMPLIANCE

- File E195978
- File LR-1082 (Covers only)



TWO DEVICE HANDY / SWITCH BOXES AND COVERS

**APPLICATIONS**

- Installers can save time and cut installation costs with two gang switch boxes
- Larger capacity boxes are ideal for today's designs where there is a need to install two devices at one location
- Drawn boxes are ideal for exposed work applications (surface mounted wiring)

**PRODUCT FEATURES**

- 681, 685 bracketed boxes are set back 1/2" eliminating the need for a plaster ring
- Reference the Box Selection section in the front of this catalog for complete description of bracket and clamp types and features
- 871, 872 and 873 covers are unpainted and manufactured from pre-galvanized steel

**COMPLIANCES**

- File E195978
- All RACO® single gang, two gang, 4" square, and single gang gangable U.L. listed steel boxes are acceptable for use in 2-hour fire rated walls.



680



681, 681SP



683, 683SP



685, 685SP



871



872



873

CAT. #	DESCRIPTION	CUBIC INCHES (CM <sup>3</sup> )	KNOCKOUTS		STD. PKG.	BAR CODE
			SIDES CONDUIT	BOTTOM CONDUIT		
<b>4" Square Two Device Switch Boxes, 2-1/8" Deep – Drawn with Conduit KO's</b>						
680	—	30.3 (496.5)	(12) 1/2"	(5) 1/2"	25	
683	—	30.3 (496.5)	(8) 1/2", (4) 3/4"	(3) 1/2", (2) 3/4"	25	
<b>NEW</b> 683SP	—	30.3 (496.5)	(8) 1/2", (4) 3/4"	(3) 1/2", (2) 3/4"	10	
681	TS Bracket, 1/2" Setback	30.3 (496.5)	(9) 1/2"	(5) 1/2"	25	
<b>NEW</b> 681SP	TS Bracket, 1/2" Setback	30.3 (496.5)	(9) 1/2"	(5) 1/2"	8	
685	TS Bracket, 1/2" Setback	30.3 (496.5)	(6) 3/4"	(3) 1/2", (2) 3/4"	25	
<b>NEW</b> 685SP	TS Bracket, 1/2" Setback	30.3 (496.5)	(6) 3/4"	(3) 1/2", (2) 3/4"	8	
<b>4" Square – Two Device Wall Plates</b>						
871	2 Toggle Switches, 1/4" Raised from Surface	—	—	—	25	
872	1 Duplex and 1 Toggle Switch, 1/4" Raised from Surface	—	—	—	25	
873	2 Duplex Receptacles, 1/4" Raised from Surface	—	—	—	25	





3" x 2" SWITCH BOXES – WITH CONDUIT KO'S



400



420



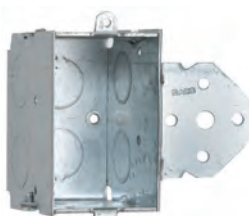
500, 8500



501



503



502



504, 8504



505



506



509



508

APPLICATIONS

- RACO® Switch boxes are used to house wiring devices such as switches or outlets

PRODUCT FEATURES

- Reference the Box Selection section in the front of this catalog for complete description of bracket types and features
- Gangable switch boxes offer the option of constructing a box to hold two or more devices
- Plaster ears allow box to be used in “old work” applications

COMPLIANCES

- File E195978
- All RACO® single gang, two gang, 4" square, and single gang gangable U.L. listed steel boxes are acceptable for use in 2-hour fire rated walls.

CAT. #	DESCRIPTION	CUBIC INCHES (CM <sup>3</sup> )	KNOCKOUTS				STD. PKG.	BAR CODE
			SIDES CONDUIT	ENDS CABLE	ENDS CONDUIT	BOTTOM CONDUIT		
<b>1-1/2" Deep Switch Box – Gangable with Conduit KO's</b>								
400	Plaster Ears	7.5 (122.9)	—	—	(2) 1/2"	(1) 1/2"	20	
<b>2" Deep Switch Box – Gangable with Conduit KO's</b>								
420	Plaster Ears	10.0 (163.9)	(4) 1/2"	—	(2) 1/2"	(2) 1/2"	25	
<b>2-1/2" Deep Switch Box – Gangable with Conduit KO's</b>								
500	Plaster Ears	12.5 (204.8)	(4) 1/2"	—	(2) 1/2"	(2) 1/2"	50	—
8500	Plaster Ears	12.5 (204.8)	(4) 1/2"	—	(2) 1/2"	(2) 1/2"	25	
501	No Plaster Ears	12.5 (204.8)	(4) 1/2"	—	(2) 1/2"	(2) 1/2"	50	—
503	Plaster Ears	12.5 (204.8)	(4) 1/2"	—	(2) 3/4"	(2) 1/2"	50	—
502	B Bracket, 5/8" Setback	12.5 (204.8)	(4) 1/2"	—	(2) 1/2"	(2) 1/2"	10	
504	TS Bracket, 1/2" Setback	12.5 (204.8)	(2) 1/2"	—	(2) 1/2"	(2) 1/2"	50	—
8504	TS Bracket, 1/2" Setback	12.5 (204.8)	(2) 1/2"	—	(2) 1/2"	(2) 1/2"	20	
505	TS Bracket, 1/2" Setback	12.5 (204.8)	(2) 1/2"	—	(2) 3/4"	(2) 1/2"	50	—
506	Old Work TIGERGRIP® Plaster Ears	12.5 (204.8)	—	—	(2) 1/2"	(2) 1/2"	20	
509	Old Work, Plaster Ears	12.5 (204.8)	—	—	(2) 1/2"	(2) 1/2"	20	
508	Old Work, 3/4" Sheet Rock Max., Plaster Ears	12.5 (204.8)	—	—	(2) 1/2"	—	20	



3" x 2" SWITCH BOXES – WITH CONDUIT KO'S

**APPLICATIONS**

- RACO® Switch boxes are used to house wiring devices such as switches or outlets

**PRODUCT FEATURES**

- Reference the Box Selection section in the front of this catalog for complete description of bracket types and features
- Gangable switch boxes offer the option of constructing a box to hold two or more devices
- Plaster ears allow box to be used in “old work” applications

**COMPLIANCES**

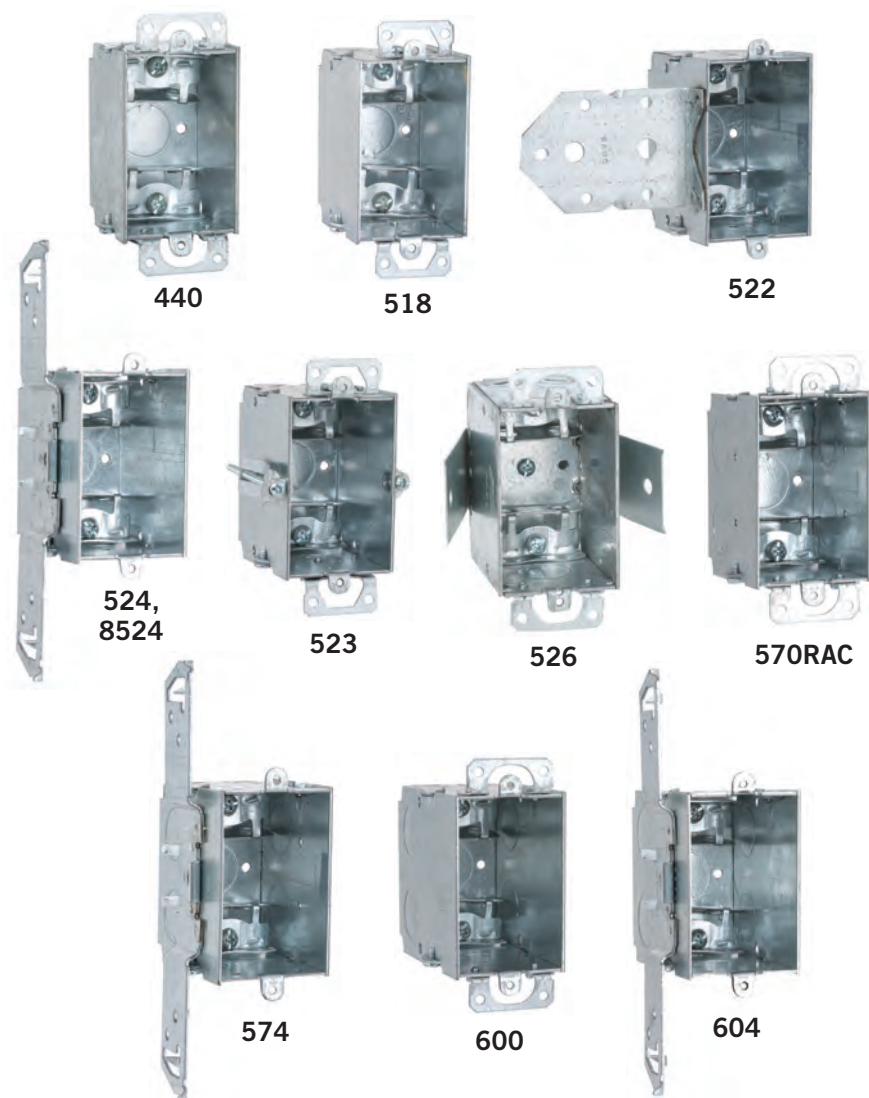
- File E195978
- All RACO® single gang, two gang, 4" square, and single gang gangable U.L. listed steel boxes are acceptable for use in 2-hour fire rated walls.



CAT. #	DESCRIPTION	CUBIC INCHES (CM <sup>3</sup> )	KNOCKOUTS				STD. PKG.	BAR CODE
			SIDES CONDUIT	ENDS CABLE	ENDS CONDUIT	BOTTOM CONDUIT		
<b>2-3/4" Deep Switch Box – Gangable with Conduit KO's</b>								
560	Plaster Ears	14.0 (229.4)	(4) 1/2"	—	(2) 1/2"	(2) 1/2"	25	
565	Plaster Ears	14.0 (229.4)	(4) 3/4"	—	(2) 3/4"	(2) 1/2"	50	—
561	No Plaster Ears	14.0 (229.4)	(4) 1/2"	—	(2) 1/2"	(2) 1/2"	50	—
562	TS Bracket, 1/2" Setback	14.0 (229.4)	(2) 1/2"	—	(2) 1/2"	(2) 1/2"	50	—
<b>3-1/2" Deep Switch Box – Gangable with Conduit KO's</b>								
590	Plaster Ears	18.0 (295.0)	(4) 1/2"	—	(4) 1/2"	(1) 1/2"	50	—
8590	Plaster Ears	18.0 (295.0)	(4) 1/2"	—	(4) 1/2"	(1) 1/2"	25	
591	Plaster Ears	18.0 (295.0)	(4) 3/4"	—	(4) 3/4"	(1) 1/2"	50	
592	No Plaster Ears	18.0 (295.0)	(4) 1/2"	—	(4) 1/2"	(1) 1/2"	50	—



3" x 2" SWITCH BOXES – WITH ARMORED CABLE / METAL CLAD / FLEX CLAMPS



**APPLICATIONS**

- RACO® Switch boxes are used to house wiring devices such as switches or outlets

**PRODUCT FEATURES**

- Gangable switch boxes offer the option of constructing a box to hold two or more devices
- Plaster ears allow box to be used in “old work” applications
- Reference the Box Selection section in the front of this catalog for complete description of clamp types and features

**COMPLIANCES**

- File E195978
- All RACO® single gang, two gang, 4" square, and single gang gangable U.L. listed steel boxes are acceptable for use in 2-hour fire rated walls.

CAT. #	DESCRIPTION	CUBIC INCHES (CM <sup>3</sup> )	KNOCKOUTS				STD. PKG.	BAR CODE
			SIDES CONDUIT	ENDS CABLE	ENDS CONDUIT	BOTTOM CONDUIT		
<b>2" Deep Switch Box – Gangable with Armored Cable/Metal Clad/Flex Clamps</b>								
440	Plaster Ears	10.0 (163.9)	—	4	—	(1) 1/2"	50	—
<b>2-1/2" Deep Switch Box – Gangable with Armored Cable/Metal Clad/Flex Clamps</b>								
518	Plaster Ears	12.5 (204.8)	—	4	—	(1) 1/2"	25	
524	TS Bracket, 1/2" Setback	12.5 (204.8)	—	4	(2) 1/2"	(1) 1/2"	50	—
8524	TS Bracket, 1/2" Setback	12.5 (204.8)	—	4	(2) 1/2"	(1) 1/2"	50	
522	LB Bracket, 5/8" Setback	12.5 (204.8)	—	4	(2) 1/2"	(1) 1/2"	25	
523	Plaster Ears, Old Work, GRIPTITE®	12.5 (204.8)	—	4	—	(1) 1/2"	25	
526	Plaster Ears, Old Work, 3/4" Sheet Rock Max.	12.5 (204.8)	—	4	—	—	20	
<b>2-3/4" Deep Switch Box – Gangable with Armored Cable/Metal Clad/Flex Clamps</b>								
570RAC	2-3/4" Depth, Plaster Ears	14.0 (229.4)	(4) 1/2"	4	(2) 1/2"	(1) 1/2"	50	—
574	2-3/4" Depth, TS Bracket, 1/2" Setback	14.0 (229.4)	(2) 1/2"	4	(2) 1/2"	(1) 1/2"	25	
<b>3-1/2" Deep Switch Box – Gangable with Armored Cable/Metal Clad/Flex Clamps</b>								
600	Plaster Ears	18.0 (295.0)	(4) 1/2"	4	(2) 1/2"	(1) 1/2"	25	—
604	TS Bracket, 1/2" Setback	18.0 (295.0)	(4) 1/2"	4	(2) 1/2"	(1) 1/2"	25	



3" X 2" SWITCH BOXES – WITH NONMETALLIC SHEATHED CABLE CLAMPS

**APPLICATIONS**

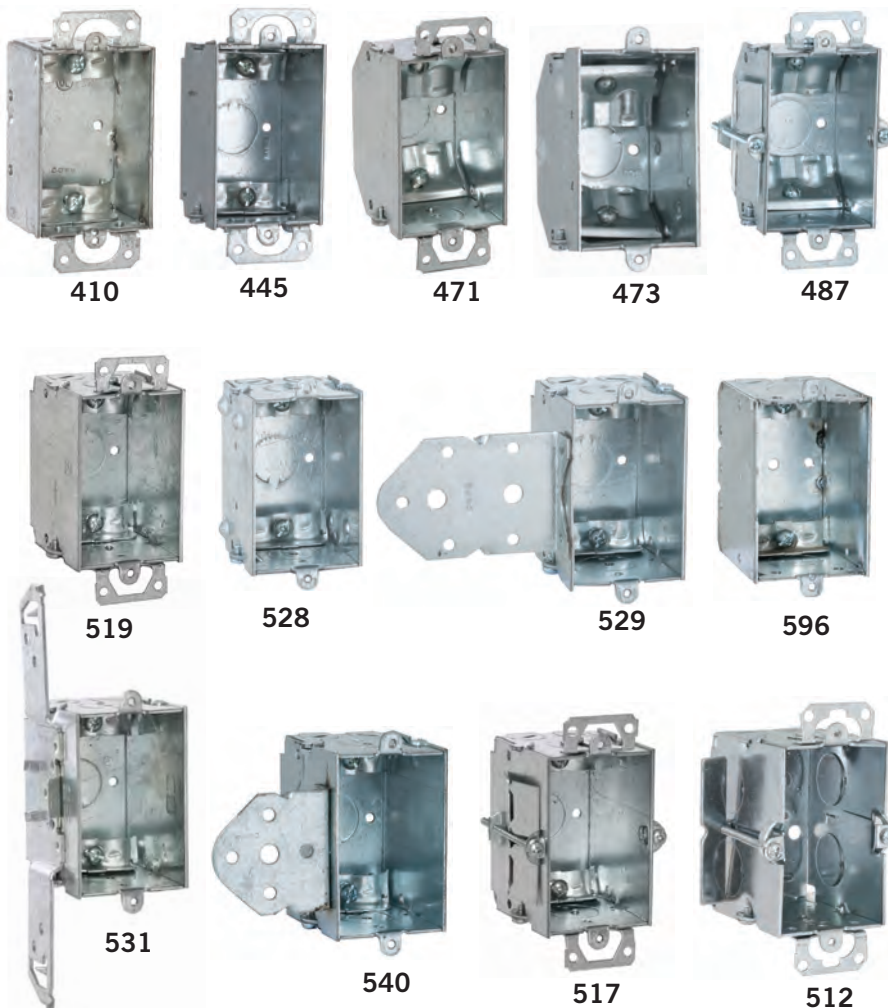
- RACO® Switch boxes are used to house wiring devices such as switches or outlets

**PRODUCT FEATURES**

- Beveled corner boxes are designed to prevent the clamp screws from protruding into back wall
- Reference the Box Selection section in the front of this catalog for complete description of bracket types and features
- Gangable switch boxes offer the option of constructing a box to hold two or more devices
- Plaster ears allow box to be used in “old work” applications

**COMPLIANCES**

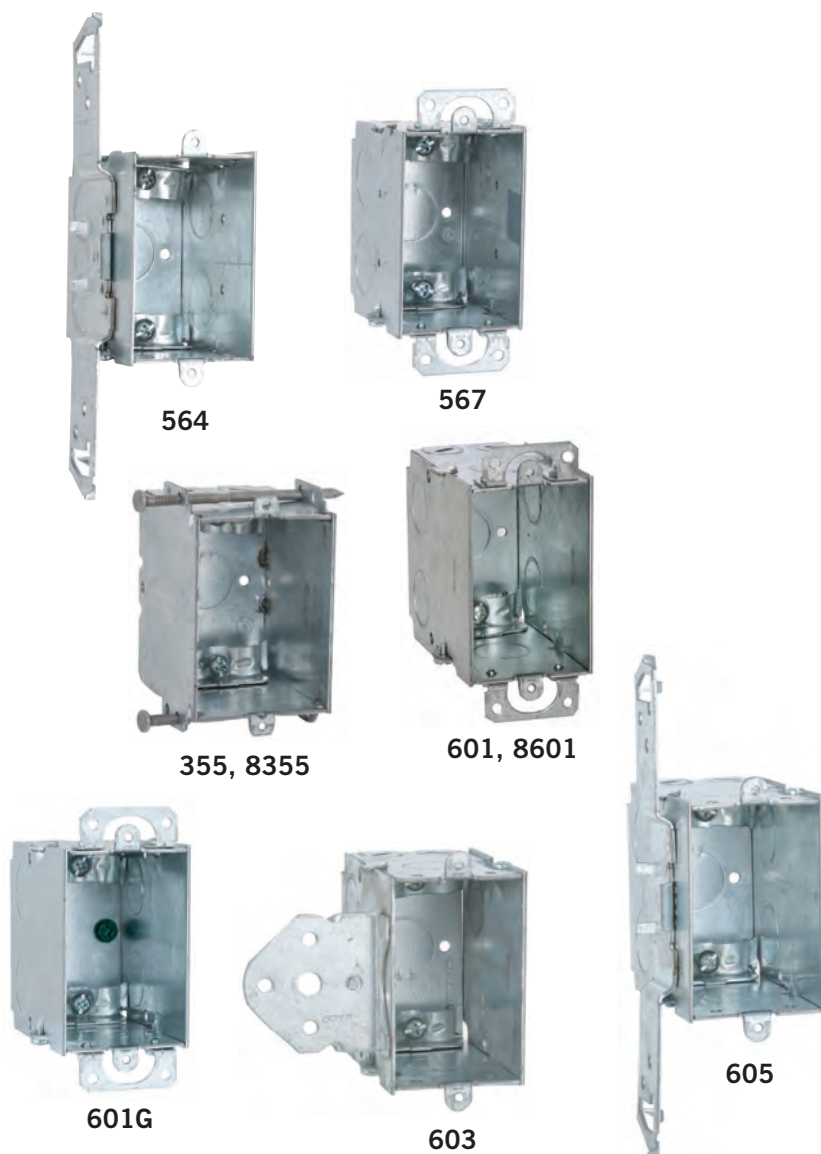
- File E195978
- All RACO® single gang, two gang, 4" square, and single gang gangable U.L. listed steel boxes are acceptable for use in 2-hour fire rated walls.



CAT. #	DESCRIPTION	CUBIC INCHES (CM <sup>3</sup> )	KNOCKOUTS				STD. PKG.	BAR CODE
			SIDES CONDUIT	ENDS CABLE	ENDS CONDUIT	BOTTOM CONDUIT		
<b>1-1/2" Deep Switch Box – Gangable with Nonmetallic Sheathed Cable Clamps</b>								
410	Plaster Ears	7.5 (122.9)	—	4	—	—	25	
<b>2" Deep Switch Box – Gangable with Nonmetallic Sheathed Cable Clamps</b>								
445	Plaster Ears	10.0 (163.9)	—	4	—	(1) 1/2"	50	—
<b>2-1/4" Deep Switch Box – Gangable with Nonmetallic Sheathed Cable Clamps</b>								
471	One Screw, Plaster Ears	10.5 (172.1)	—	4	—	(1) 1/2"	25	
473	Level Bumps	10.5 (172.1)	—	4	(2) 1/2"	(1) 1/2"	20	
487	Old Work, TIGERGRIP®	10.5 (172.1)	—	4	—	(1) 1/2"	20	
<b>2-1/2" Deep Switch Box – Gangable with Nonmetallic Sheathed Cable Clamps</b>								
519	Plaster Ears	12.5 (204.8)	—	4	—	(1) 1/2"	25	
528	Level Bumps	12.5 (204.8)	—	4	(2) 1/2"	(1) 1/2"	25	
529	LB Bracket, 5/8" Setback	12.5 (204.8)	—	4	(2) 1/2"	(1) 1/2"	20	
596	No Plaster Ears	12.5 (204.8)	—	4	(2) 1/2"	—	50	—
545	Plaster Ears, Old Work, 3/4" Sheet Rock Max.	12.5 (204.8)	—	4	(2) 1/2"	—	20	
531	TS Bracket, 1/2" Setback	12.5 (204.8)	—	4	(2) 1/2"	(1) 1/2"	25	
540	B Bracket, 1/4" Setback	12.5 (204.8)	—	4	(2) 1/2"	(1) 1/2"	50	—
517	Plaster Ears, Old Work, TIGERGRIP	12.5 (204.8)	—	4	—	(1) 1/2"	20	
512	Plaster Ears, Old Work	12.5 (204.8)	—	4	—	(1) 1/2"	20	



3" X 2" SWITCH BOXES – WITH NONMETALLIC SHEATHED CABLE CLAMPS



**APPLICATIONS**

- RACO® Switch boxes are used to house wiring devices such as switches or outlets

**PRODUCT FEATURES**

- RACO® 355 and 8355 are extra wide for ease of GFCI installation
- Reference the Box Selection section in the front of this catalog for complete description of bracket types and features
- Gangable switch boxes offer the option of constructing a box to hold two or more devices
- Plaster ears allow box to be used in “old work” applications

**COMPLIANCES**

- File E195978
- File LR-1082 (601G CSA only)
- All RACO® single gang, two gang, 4" square, and single gang gangable U.L. listed steel boxes are acceptable for use in 2-hour fire rated walls.

CAT. #	DESCRIPTION	CUBIC INCHES (CM <sup>3</sup> )	KNOCKOUTS				STD. PKG.	BAR CODE
			SIDES CONDUIT	ENDS CABLE	ENDS CONDUIT	BOTTOM CONDUIT		
<b>2-3/4" Deep Switch Box – Gangable with Nonmetallic Sheathed Cable Clamps</b>								
567	Plaster Ears	14.0 (229.4)	(4) 1/2"	4	(2) 1/2"	(1) 1/2"	25	
564	TS Bracket, 1/2" Setback	14.0 (229.4)	(2) 1/2"	4	(2) 1/2"	(1) 1/2"	25	
<b>2-27/32" Deep Switch Box – Gangable with Nonmetallic Sheathed Cable Clamps</b>								
355	S Bracket, Nails	15.8 (258.9)	—	4	—	(1) 1/2"	50	—
8355	S Bracket, Nails	15.8 (258.9)	—	4	—	(1) 1/2"	20	
<b>3-1/2" Deep Switch Box – Gangable with Nonmetallic Sheathed Cable Clamps</b>								
601	Plaster Ears	18.0 (295.0)	(4) 1/2"	4	(2) 1/2"	(1) 1/2"	25	—
8601	Plaster Ears	18.0 (295.0)	(4) 1/2"	4	(2) 1/2"	(1) 1/2"	25	
601G	Plaster Ears, With Ground Screw Driven	18.0 (295.0)	(4) 1/2"	4	(2) 1/2"	(1) 1/2"	25	—
605	TS Bracket, 1/2" Setback	18.0 (295.0)	(4) 1/2"	4	(2) 1/2"	(1) 1/2"	25	
603	B Bracket, 5/8" Setback	18.0 (295.0)	(4) 1/2"	4	(2) 1/2"	(1) 1/2"	25	—



SHALLOW SWITCH BOXES – WITH NONMETALLIC SHEATHED CABLE CLAMPS

**APPLICATIONS**

- RACO® Shallow switch boxes are made for use with furring strips and 1/4" paneling
- Switch boxes are used to house wiring devices such as switches or outlets

**PRODUCT FEATURES**

- RACO® "D" bracket is pre-scored and can be broken off if needed
- Reference the Box Selection section in the front of this catalog for complete description of bracket types and features
- 418 will accept 4" square mudring or flat cover

**COMPLIANCES**

- File E195978  
(Cat. #404, #404SP and #405 not UL listed)
- All RACO® single gang, two gang, 4" square, and single gang gangable U.L. listed steel boxes are acceptable for use in 2-hour fire rated walls.



404, 404SP



405



418

CAT. #	DESCRIPTION	CUBIC INCHES (CM <sup>3</sup> )	KNOCKOUTS				STD. PKG.	BAR CODE
			SIDES CONDUIT	ENDS CABLE	ENDS CONDUIT	BOTTOM CONDUIT		
<b>3-3/4" x 2" Switch Boxes, 1" Deep – Nongangable with Nonmetallic Sheathed Cable Clamps</b>								
404	Q Clamp, 1/4" Setback	6.5 (106.5)	—	2	(1) 1/2"	—	25	
<b>NEW</b> 404SP	Q Clamp, 1/4" Setback	6.5 (106.5)	—	2	(1) 1/2"	—	6	
405	Q Clamp, 1/4" Setback	6.5 (106.5)	—	4	—	—	25	
<b>4" x 4" Switch Box, 1" Deep – Nongangable with Nonmetallic Sheathed Cable Clamps</b>								
418	(2) Q Clamp, 1/4" Setback	14.8 (242.5)	—	4	(2) 1/2"	—	25	



MULTI-DEVICE LARGE CAPACITY SWITCH BOXES & PARTITIONS

**APPLICATIONS**

- Installers can save time and cut installation costs with multi-gang switch boxes
- Larger capacity boxes are ideal for todays designs where there is a need to install two devices at one location

**PRODUCT FEATURES**

- Reference the Box Selection section in the front of this catalog for complete description of bracket and clamp types and features

**COMPLIANCES**

- File E195978 (Cat. #971 not UL Listed)



686



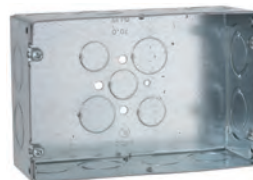
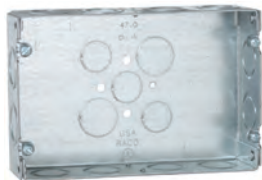
687



971

CAT. #	DESCRIPTION	CUBIC INCHES (CM <sup>3</sup> )	KNOCKOUTS				STD. PKG.	BAR CODE
			SIDES CONDUIT	ENDS CABLE	ENDS CONDUIT	BOTTOM CONDUIT		
<b>Multi-Device Switch Boxes, 2-1/2" Deep – Welded with Conduit KO's</b>								
686	3-Gang, 1/2" Setback	47.8 (783.3)	(6) 1/2", (6) 3/4"	—	(2) 1/2", (2) 3/4"	(3) 1/2", (3) 3/4"	10	
687	4-Gang, 1/2" Setback	63.5 (1040.6)	(8) 1/2", (8) 3/4"	—	(2) 1/2", (2) 3/4"	(4) 1/2", (4) 3/4"	10	
<b>Low-Voltage Partition</b>								
971	For 686 and 687 Boxes	—	—	—	—	—	25	—

MULTI-GANG BOXES



951 through 958



941 through 945

APPLICATIONS

- RACO® Gang boxes are used where a number of wiring devices are to be centrally located

PRODUCT FEATURES

- Gang boxes save time in installation, no need to gang boxes together
- Have 1/2" and 3/4" concentric KO's for use with a wide variety of wiring methods
- Bottom KO pattern, 3-1/2" and 2-3/4" at either end of box
- Accept two styles of covers, flat and 3/4" raised device cover
- Use low voltage partitions #947 or #949

COMPLIANCES

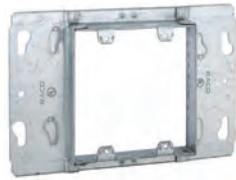
- Listed 731A

CAT. #	DESCRIPTION	CUBIC INCHES (CM <sup>3</sup> )	KNOCKOUTS			STD. PKG.	BAR CODE
			TOP & BOTTOM	SIDES	BACK		
<b>Gang Boxes, 1-5/8" Deep – Welded with Conduit KO's</b>							
951	2 Gang	47.0 (770.1)	8 Conc. 1/2" & 3/4"	4 Conc. 1/2" & 3/4"	(3) 1/2" (2) 3/4"	5	—
952	3 Gang	60.0 (983.2)	10 Conc. 1/2" & 3/4"	4 Conc. 1/2" & 3/4"	(6) 1/2" (4) 3/4"	5	
953	4 Gang	72.8 (1192.9)	12 Conc. 1/2" & 3/4"	4 Conc. 1/2" & 3/4"	(6) 1/2" (4) 3/4"	5	
954	5 Gang	85.8 (1406.0)	14 Conc. 1/2" & 3/4"	4 Conc. 1/2" & 3/4"	(6) 1/2" (4) 3/4"	5	—
955	6 Gang	98.5 (1614.1)	16 Conc. 1/2" & 3/4"	4 Conc. 1/2" & 3/4"	(6) 1/2" (4) 3/4"	1	—
956	7 Gang	111.5 (1827.1)	18 Conc. 1/2" & 3/4"	4 Conc. 1/2" & 3/4"	(6) 1/2" (4) 3/4"	1	—
957	8 Gang	124.5 (2040.1)	20 Conc. 1/2" & 3/4"	4 Conc. 1/2" & 3/4"	(6) 1/2" (4) 3/4"	1	—
958	9 Gang	137.3 (2249.9)	22 Conc. 1/2" & 3/4"	4 Conc. 1/2" & 3/4"	(6) 1/2" (2) 3/4"	1	—
<b>Gang Boxes, 2-1/2" Deep – Welded with Conduit KO's</b>							
941	2 Gang	70.0 (1147.0)	(4) 3/4" 4 Conc. 3/4" & 1"	4 Conc. 3/4" & 1"	(3) 1/2" (2) 3/4"	5	
942	3 Gang	90.0 (1474.8)	(8) 3/4" 2 Conc. 3/4" & 1"	4 Conc. 3/4" & 1"	(6) 1/2" (4) 3/4"	5	
943	4 Gang	110.0 (1802.5)	(4) 3/4" 4 Conc. 3/4" & 1"	4 Conc. 3/4" & 1"	(6) 1/2" (4) 3/4"	5	
944	5 Gang	130.0 (2130.3)	(6) 3/4" 4 Conc. 3/4" & 1"	4 Conc. 3/4" & 1"	(6) 1/2" (4) 3/4"	5	
945	6 Gang	150.0 (2458.0)	(6) 3/4" 6 Conc. 3/4" & 1"	4 Conc. 3/4" & 1"	(6) 1/2" (4) 3/4"	1	

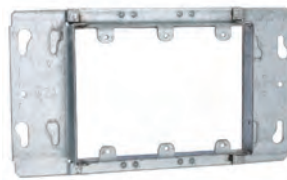


MULTI-GANG BOXES

COVERS AND PARTITIONS



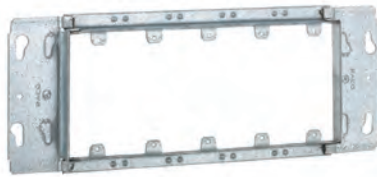
821



822



823



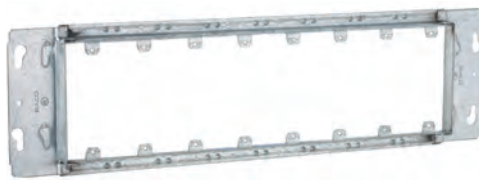
824



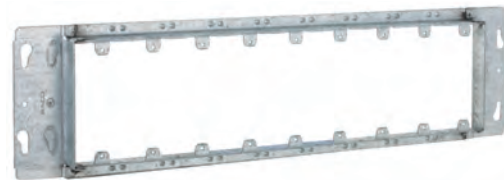
825



826



827



828

**NEW!**



834, 836



974



949

CAT. #	DESCRIPTION	FOR GANG BOXES	CU. IN. CAP. (CM <sup>3</sup> )	STD. PKG.	UPC BAR CODE
<b>Device Covers for Gang Boxes - Raised 3/4"</b>					
821	2 Gang, 7-1/16" Width	951 or 941	10.0 (163.8)	5	—
822	3 Gang, 8-7/8" Width	952 or 942	15.3 (250.7)	5	
823	4 Gang, 10-11/16" Width	953 or 943	20.3 (332.6)	5	
824	5 Gang, 12-1/2" Width	954 or 944	25.5 (417.8)	5	—
825	6 Gang, 14-5/16" Width	955 or 945	30.5 (499.8)	1	—
826	7 Gang, 16-1/8" Width	956	35.5 (581.7)	1	—
827	8 Gang, 17-15/16" Width	957	40.8 (668.5)	1	—
828	9 Gang, 19-3/4" Width	958	45.8 (750.5)	1	—
<b>Device Covers for Gang Boxes</b>					
<b>NEW</b> 834	3 Gang, 8-7/8" Width, 2" Raised	952 or 942	40.8 (668.5)	15	—
836	3 Gang, 8-7/8" Width, 1-1/2" Raised	952 or 942	30.6 (501.4)	20	—
<b>Low Voltage Partitions for Gang Boxes</b>					
974	For 1-5/8" Deep	—	—	25	—
949	For 2-1/2" Deep	—	—	25	—

**APPLICATIONS**

- RACO® Gang box covers permit the mounting of devices
- Low voltage partitions may be added to boxes to divide power from voice/data
- RACO® 834 and 836 covers are ideal for nurse call stations

**PRODUCT FEATURES**

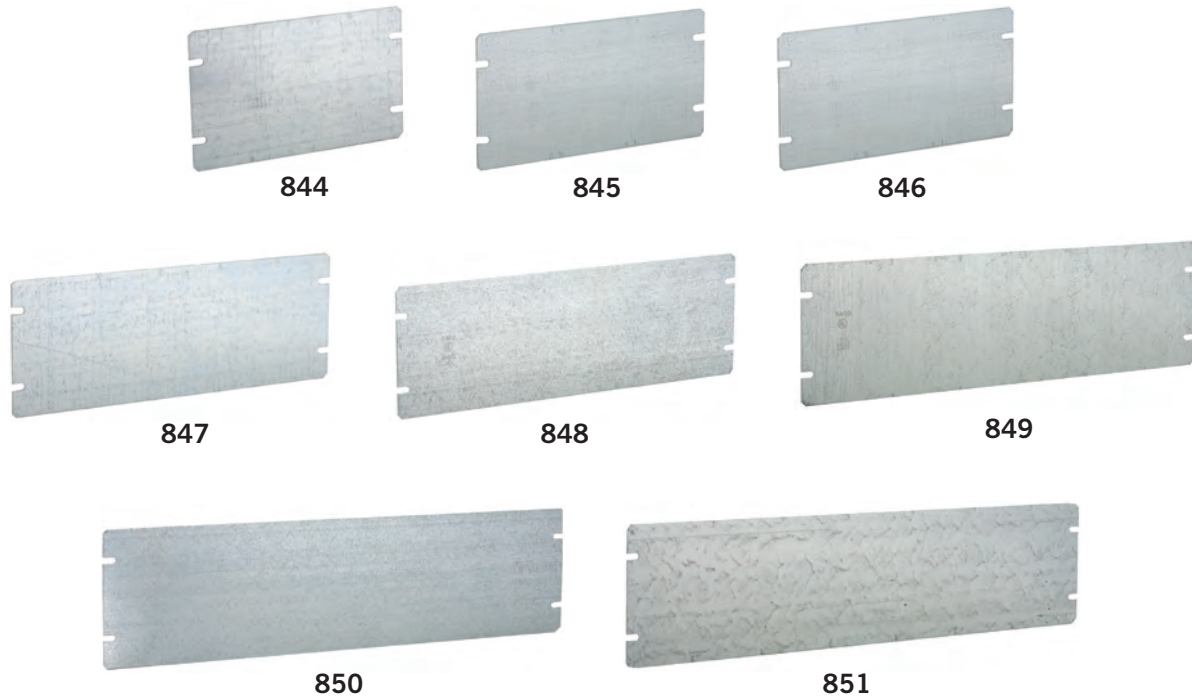
- RACO® Device covers also fit next smaller box, i.e. three gang cover fits two or three gang box
- Partition divides boxes into compartments

**COMPLIANCE**

- Listed 731A (Cat. #974 and #949 not UL Listed)

MULTI-GANG BOXES

BLANK COVERS



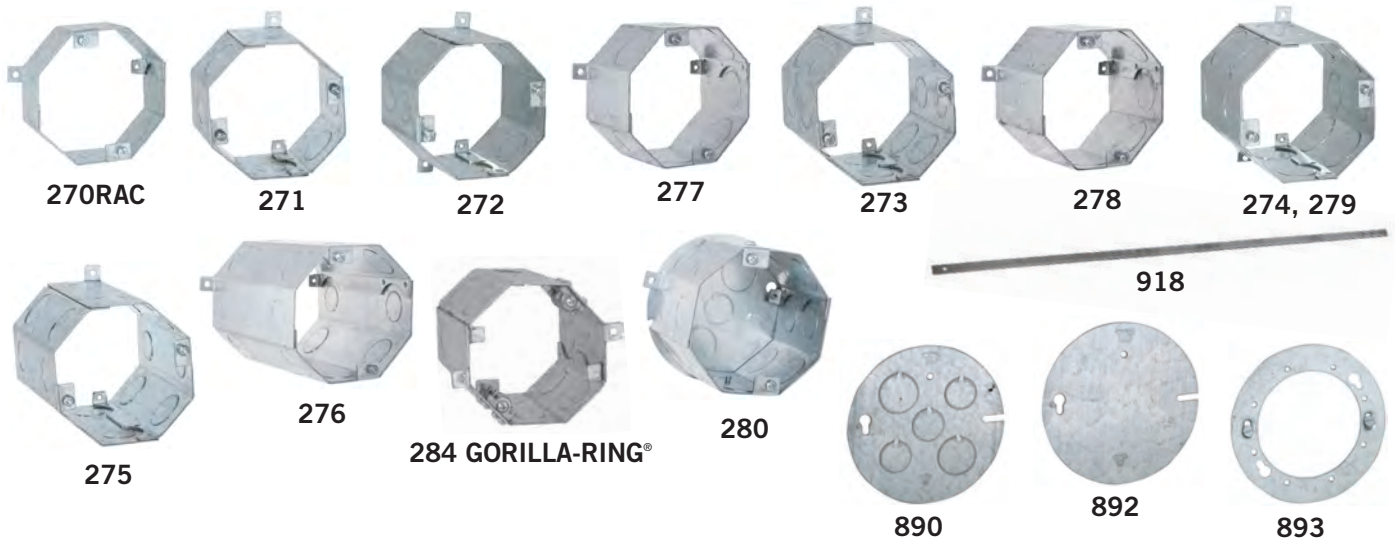
APPLICATIONS

- Covers are used to close a multi-gang box

CAT. #	DESCRIPTION	FOR GANG BOXES	STD. PKG.	UPC BAR CODE
<b>Flat, Blank Covers for Gang Boxes</b>				
844	2 Gang, 7-1/16" Width	951 or 941	5	—
845	3 Gang, 8-7/8" Width	952 or 942	5	—
846	4 Gang, 10-11/16" Width	953 or 943	5	—
847	5 Gang, 12-1/2" Width	954 or 944	1	—
848	6 Gang, 14-5/16" Width	955 or 945	1	—
849	7 Gang, 16-1/8" Width	956	1	—
850	8 Gang, 17-15/16" Width	957	1	—
851	9 Gang, 19-3/4" Width	958	1	—



CONCRETE RINGS, CEILING BOX AND COVER PLATES



CAT. #	DESCRIPTION	CUBIC INCHES (CM <sup>3</sup> )	KNOCKOUTS	RECOMMENDED MAX. LOADS		STD. PKG.	BAR CODE
				CEILING FAN (DYNAMIC) LBS.	FIXTURE (STATIC) LBS.		
<b>Concrete Rings</b>							
270RAC	2" Deep	24.5 (401.4)	Single Row KO's - 1/2" and 3/4"	No	50	25	—
271	2-1/2" Deep	30.8 (504.7)	Single Row KO's - 1/2" and 3/4"	No	50	25	
272	3" Deep	37.0 (606.3)	Single Row KO's - 1/2" and 3/4"	No	50	25	—
277	3" Deep	37.0 (606.3)	Single Row KO's - 3/4" and 1"	No	50	25	—
273	3-1/2" Deep	43.0 (704.6)	Double Row KO's - 1/2" and 3/4"	No	50	20	—
278	3-1/2" Deep	43.0 (704.6)	Single Row KO's - 3/4" and 1"	No	50	20	—
274	4" Deep	49.3 (807.8)	Double Row KO's - 1/2" and 3/4"	No	50	20	—
279	4" Deep	49.3 (807.8)	Double Row KO's - 3/4" and 1"	No	50	20	—
275	5" Deep	61.5 (1007.8)	Double Row KO's - 1/2" and 3/4"	No	50	10	—
276	6" Deep	74.0 (1212.6)	Double Row KO's - 1/2" and 3/4"	No	50	10	—
284	4" Deep	49.3 (807.8)	Double Row KO's - 1/2" and 3/4"	35	75	6	—
<b>Hung Ceiling Box</b>							
280	3-1/2" Deep, includes an 890 cover	43.0 (704.6)	Double Row KO's (8) 1/2" and (8) 3/4"	No	—	20	—
918	30" Long Bars for Hung Ceiling Box	—	—	No	—	40	—

APPLICATIONS

- RACO® Concrete rings are used with poured deck (floor) in high-rise construction
- These boxes are installed on wooden or steel concrete forms. After the forms are removed, the box is flush with the concrete
- RACO® Ceiling Fan Concrete Ring 284 is listed for support of ceiling fans

PRODUCT FEATURES

- Flat sides provide excellent contact for locknuts
- External ears are used to nail the ring to the wood form
- Top cover is removable for before-pour work
- Ears on inside of box are for fixtures
- Waxed fixture ears prevent concrete from interfering with the threads
- A variety of cover plates are available
- Cover plate must be ordered separately with all RACO® concrete rings

COMPLIANCE

- File E195978

CAT. #	DESCRIPTION	STD. PKG.	UPC BAR CODE
<b>Concrete Ring - Back Plates/Covers and Adapter Ring</b>			
890	(3) 1/2" and (2) 3/4" KO's, O.D. Diam. 4-1/2"	25	
892	Flat, Blank, O.D. Diam. 4-1/2"	25	—
893	O.D. Diam. 4-1/2", Joins Octagon Ext. Ring to Concrete Ring, Two Retained Screws	50	—



MASONRY BOXES AND PARTITIONS



690 through 694



960



695 through 699



965



971

APPLICATIONS

- RACO® Masonry boxes are designed to accommodate the mounting of switches or other devices in masonry walls
- Gangable masonry boxes offer the option of constructing a box to hold two or more devices
- 2-1/2" deep boxes are used in 4" block walls, 3-1/2" deep boxes are used in 6" or 8" block walls

NONGANGABLE PRODUCT FEATURES

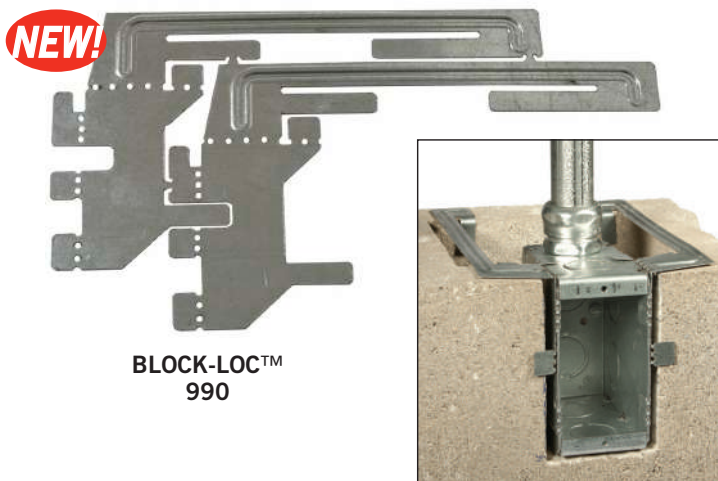
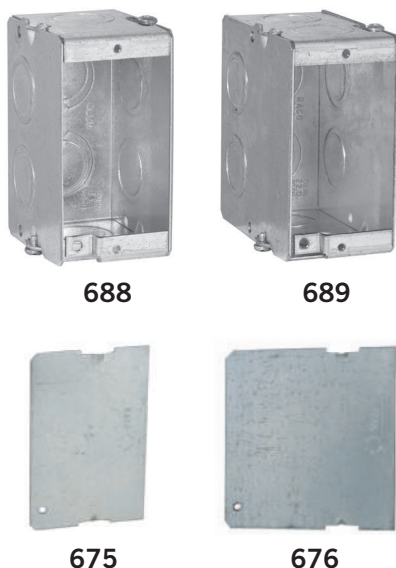
- Rugged welded design does not fall apart during construction
- Available from one to six gang configurations in both 2-1/2" and 3-1/2" depths
- Rectangular shape fits square cuts in block
- Large volume design allows for additional work room inside the box
- Standard 1/2" and 3/4" concentric Knockouts
- Device ears inside the box prevent mortar from getting in the device holes
- Steel low voltage partition #971 fits all 2-1/2" or 3-1/2" depths
- Standard wall plates can be used

COMPLIANCE

- File E195978 (Cat. #971 not UL Listed)

CAT. #	DESCRIPTION	CUBIC INCHES (CM <sup>3</sup> )	KNOCKOUTS			STD. PKG.	BAR CODE
			SIDES CONDUIT	ENDS CONDUIT	BOTTOM CONDUIT		
<b>Masonry Boxes, 2-1/2" Deep – Nongangable with Conduit KO's</b>							
690	1 Gang, 1-31/32" Wide	16.0 (262.1)	4 Conc.	2 Conc.	2 Conc.	25	—
691	2 Gang, 3-25/32" Wide	31.8 (521.1)	4 Conc.	4 Conc.	4 Conc.	25	—
692	3 Gang, 5-19/32" Wide	47.8 (783.3)	4 Conc.	6 Conc.	3 Conc.	10	—
693	4 Gang, 7-13/32" Wide	63.5 (1040.5)	4 Conc.	8 Conc.	4 Conc.	10	—
694	5 Gang, 9-7/32" Wide	79.5 (1302.7)	4 Conc.	10 Conc.	5 Conc.	10	—
960	6 Gang, 11-1/32" Wide	95.3 (1561.6)	4 Conc.	12 Conc.	6 Conc.	1	—
<b>Masonry Boxes, 3-1/2" Deep – Nongangable with Conduit KO's</b>							
695	1 Gang, 1-31/32" Wide	22.5 (368.7)	4 Conc.	4 Conc.	2 Conc.	25	—
8695	1 Gang, 1-31/32" Wide	22.5 (368.7)	4 Conc.	4 Conc.	2 Conc.	25	
696	2 Gang, 3-25/32" Wide	45.0 (737.4)	4 Conc.	8 Conc.	4 Conc.	25	
697	3 Gang, 5-19/32" Wide	67.3 (1102.8)	4 Conc.	12 Conc.	3 Conc.	10	
698	4 Gang, 7-13/32" Wide	89.8 (1471.5)	4 Conc.	16 Conc.	4 Conc.	10	—
699	5 Gang, 9-7/32" Wide	112.3 (1840.2)	4 Conc.	20 Conc.	5 Conc.	10	—
965	6 Gang, 11-1/32" Wide	134.8 (2208.9)	4 Conc.	24 Conc.	6 Conc.	1	—
CATALOG #	DESCRIPTION					STD. PKG.	BARCODE
<b>Low Voltage Partitions for Masonry Boxes</b>							
971	For Nongangable, 2-1/2" or 3-1/2" Deep Boxes					25	—

MASONRY BOXES AND SUPPORT



CAT. #	DESCRIPTION	CUBIC INCHES (CM <sup>3</sup> )	KNOCKOUTS			STD. PKG.	BAR CODE
			SIDES CONDUIT	ENDS CONDUIT	BOTTOM CONDUIT		
<b>Masonry Boxes, 2-1/2" Deep – Gangable with Conduit KO's</b>							
688	1 Gang, 1-15/16" Wide	15.5 (253.9)	4 TKO®	2 TKO®	2 TKO®	20	
<b>Masonry Boxes, 3-1/2" Deep – Gangable with Conduit KO's</b>							
689	1 Gang, 1-15/16" Wide	22.5 (368.7)	4 TKO®	4 TKO®	2 TKO®	20	
CATALOG #	DESCRIPTION		STD. PKG.	BARCODE			
<b>Low Voltage Partitions for Masonry Boxes</b>							
675	For Gangable, 2-1/2" Deep Boxes		20				
676	For Gangable, 3-1/2" Deep Boxes		20				
CATALOG #	DESCRIPTION		STD. PKG.	BARCODE			
<b>BLOCK-LOC™ Masonry Box Support Bracket</b>							
<b>NEW</b> 990	For Gangable or Nongangable Boxes		5*				

\*5 bags of 10 – sold in carton quantities only

**APPLICATIONS**

- RACO® Masonry boxes are designed to accommodate the mounting of switches or other devices in masonry walls
- Gangable masonry boxes offer the option of constructing a box to hold two or more devices
- 2-1/2" deep boxes are used in 4" block walls, 3-1/2" deep boxes are used in 6" or 8" block walls

**GANGABLE PRODUCT FEATURES**

- Rugged welded design does not fall apart during construction
- Gangable design allows installer to build unlimited number of gangs to hold multiple devices
- Rectangular shape fits square cuts in block
- Standard 1/2" and 3/4" TKO® Knockouts
- Device ears inside the box prevent mortar from getting in the device holes
- Steel low voltage partitions:
  - #675 fits 2-1/2" box
  - #676 fits 3-1/2" deep box
- Forward mounted grounding provision allows for easy installation of grounding pigtail
- Standard wall plates can be used

**BLOCK-LOC™ APPLICATIONS**

- Locks box securely to concrete block wall to prevent movement during construction

**BLOCK-LOC™ FEATURES**

- Secures box to concrete block, even in irregular cut openings
- Easy-bend tabs lock box from top, front, sides and back
- Sold in breakaway pairs
- No tools required
- Cost effective – reduces installation time and eliminates costly rework
- Universal – Single or multi-gang masonry boxes & tile covers
- Installation instructions included
- Patent Pending

BOX SUPPORT PRODUCTS



BRACES AND BRACKETS - BETWEEN STUDS

APPLICATIONS

(9004R - 9006R, 9013R - 9015R)

- RACO® Braces and extenders are used for metal or wood stud box positioning

PRODUCT FEATURES

- Available for 1-1/2" or 2-1/8" deep boxes
- Locator dimples on face of bar allows for exact positioning of single or multiple boxes
- Dimple feature provides quick start of screws, and reinforcement to prevent box mounting screws from stripping out when box is mounted
- Design of adjustable brace allows ground screw to clear when box is mounted
- Boxes attach easily with self-tapping screws

COMPLIANCES

- LISTED  
LISTED - UL E195973

APPLICATIONS (9001, 9002)

- Positions electrical boxes, plaster rings and low voltage devices between studs

PRODUCT FEATURES

- Fold-back stabilizer leg prevents bracket from being pushed back in wall cavity during drywall installation
- Designed for 2-1/2" or 3-1/2" studs.
- Mounts 4" or 4-11/16" sq. boxes
- Box can be mounted on ring without raised cover to save time by providing maximum work area inside box
- When mounted, raised cover is brought to within 1/16" of drywall everytime and will not bulge or break out drywall

COMPLIANCES

- LISTED  
US Patent 7,902,457

APPLICATIONS (3PRAC, 4PRAC)

- Rough-In-Ready® 3PRAC allow two 4" and one 4-11/16" (in center) square boxes to be securely positioned between two studs. 4PRAC brackets allow multiple 4" or 4-11/16" square boxes to be securely positioned between two studs.



9013R, 9015R



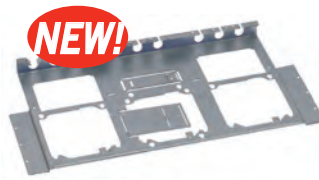
9004R, 9006R



9001

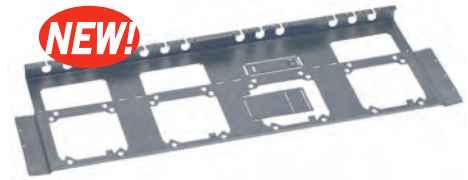


9002



3PRAC

*Rough-In-Ready*



4PRAC

*Rough-In-Ready*

CATALOG #	DESCRIPTION	STD. PKG.	BARCODE
<b>Non-adjustable Box Mounting Brace – For 4" and 4-11/16" Square Box</b>			
9004R	For 16" Stud Spacing, 1-1/2" or 2-1/8" Deep Box	50	—
9006R	For 24" Stud Spacing, 1-1/2" or 2-1/8" Deep Box	50	—
<b>Adjustable Box Mounting Brace – For 4" and 4-11/16" Square Box</b>			
9013R	Adjusts from 10-3/8" to 18", 1-1/2" or 2-1/8" Deep Box	50	—
9015R	Adjusts from 15" to 26", 1-1/2" or 2-1/8" Deep Box	50	—
<b>Fixed Position Box Mounting Brackets – For 4" and 4-11/16" Square Box</b>			
9001	(3) Box, for 16" On Center Studs	50	—
9002	(4) Box, for 24" On Center Studs	50	—
<b>Fixed Position Box Mounting Brackets w/Cable Support</b>			
3PRAC	9 Cable Supports	14	—
4PRAC	12 Cable Supports	10	—

PRODUCT FEATURES

- Face mount stud brackets allows bracket/ box to directly mount to any type of stud - metal (open or closed sides) or wood
- 3PRAC = supports up to 3, square boxes and mud rings. 4PRAC = supports up to 4, square boxes and mud rings
- Integrated top cable support manages cables entering assembly per current NEC requirements
- Easy to use, integrated locking tabs hold cable securely in place - simply snap cable in, no additional hardware required to hold cables in place
- 3PRAC = 9 built-in cable holders, 4PRAC = 12 built in cable locators
- Cable holders will accept cable ranges from 12-2MC to 10-4 MC
- Stud bracket features centering hole for easy

locating of bracket to correct height from center of device to floor

- Unique box locking tab secures box to bracket for transporting to job site. Tab design allows mud ring to be removed from box without disengaging from bracket assembly
- Built-in, flip-out far side supports will accommodate either 2-1/2", 3-1/2", or 3-5/8" steel or wood stud depths. For 5-1/2" or 6" stud depths, simply break out included far side extensions and add to flip-out support with screw
- Heavy 20 gauge .038" gauge pre-galvanized steel construction for secure and rigid support of boxes in wall cavity

COMPLIANCES

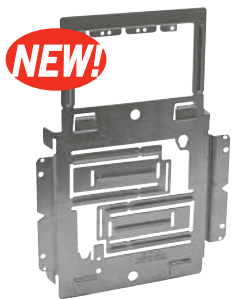
- LISTED

Covered by patents: US 7,053,300B2 & US 6,996,943B2

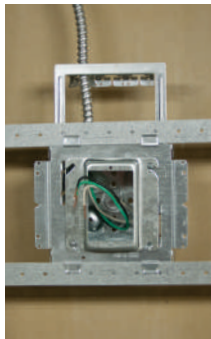
BRACKETS AND BOX SUPPORTS - ON STUDS



9018



**SBRNRRAC**  
*Rough-In-Ready*



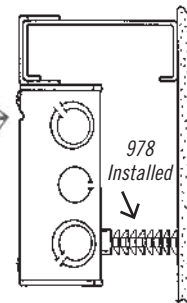
**SBRNRRAC**  
with Spanner Bars



**BOX-LOC® 980**



**978**  
Installed



**SP1RAC**  
*Rough-In-Ready*



**SP2RAC**  
*Rough-In-Ready*

CATALOG #	DESCRIPTION	STD. PKG.	BARCODE
<b>Two-point Box Mounting Brackets</b>			
9018	Left or Right Side Stud Mount	100	—
<b>Single Box Mounting Bracket with Cable Support – For MC/BX Wiring Systems</b>			
<b>NEW</b> SBRNRRAC	Positions a 4" Sq. Junction Box between Two Studs	30	—
<b>BOX-LOC Metal Stud Clip</b>			
980	Spring Steel Bracket	50	
<b>Plastic Far Side Support</b>			
978	1-7/8" Rigid, Plastic Support	50	—
<b>Between Stud Spanner Bars</b>			
<b>NEW</b> SP1RAC	Spans 16" Between Two Metal or Wood Studs	30	—
SP2RAC	Spans 24" Between Two Metal or Wood Studs	30	—

**APPLICATIONS**

**980 BOX-LOC® & 978 (sold separately)**

- Allows any 4" or 4-11/16" square metal box to be affixed to a metal stud quickly and easily. 978 Far Side Support prevents box from being pushed back in wall cavity

**PRODUCT FEATURES**

- 980 Patent spring-steel design installs in seconds without tools
- 978 simply snaps into hole in back of box and is easily cut to fit wall cavity

**APPLICATIONS (SP1RAC, SP2RAC)**

- Rough-In-Ready® Spanner bars, SP1RAC for 16" and SP2RAC for 24" spans, work with both SBRNRRAC and S1CRAC bracket systems to provide support between two metal or wood studs
- Bars can be used in many mechanical support applications

**PRODUCT FEATURES**

- 1" high profile, 1/8" mounting holes, on 1" centers
- Heavy 20 gauge .038" guage pre-galvanized steel construction for secure and rigid support of boxes in wall cavity

**COMPLIANCES**

- UL Listed as part of the Rough-In-Ready system

**APPLICATIONS (9018)**

- Supports electrical box when mounted to a stud

**PRODUCT FEATURES**

- Dual-point mounting, right or left of stud. Perfect for prefab applications
- Mounts 4" or 4-11/16" sq. box to 2-1/2", 3-1/2" or 6" studs

**COMPLIANCES**

- LISTED
- 

**APPLICATIONS (SBRNRRAC)**

- Rough-In-Ready® bracket supports electrical box when mounted to a stud

**PRODUCT FEATURES**

- Patented, built in cable support accepts up to 3 MC cables (12-2 MC to 10-4 MC). No additional cable support needed
- Mounts 4" sq. box left or right of stud
- Patented flip-out support accommodates wood and metal stud depths: 2-1/2", 3-1/2", 3-5/8", 5-1/2", and 6"

**COMPLIANCES**

- LISTED

Covered by patents: US 7,053,300B2 & US 6,996,943B2

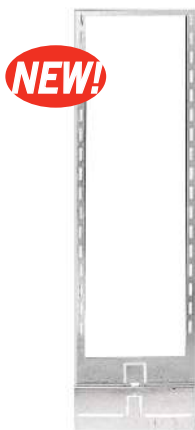
BOX AND CABLE SUPPORTS - BETWEEN STUDS AND FLOOR



9009

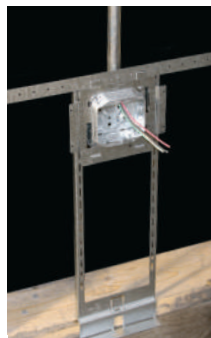


9010



KS1RAC

*Rough-In Ready*



SBRNRRAC, KS1RAC  
w/Spinner Bar



CS1RAC

*Rough-In Ready*



CS2RAC

*Rough-In Ready*

CATALOG #	DESCRIPTION	STD. PKG.	BARCODE
<b>Floor Mounted Box Support</b>			
9009	12" Tall Bracket	25	—
9010	18" Tall Bracket	25	—
<b>Floor Mount Kick Stand – Adjustable</b>			
<b>NEW</b> KS1RAC	Spans 16" Between Two Metal or Wood Studs	20	—
<b>MC/BX Cable Holder</b>			
<b>NEW</b> CS1RAC	16" - 10 Cable Postions	36	—
CS2RAC	24" - 16 Cable Postions	40	—

**APPLICATIONS (9009, 9010)**

- Supports electrical boxes from floor or concrete forms

**PRODUCT FEATURES**

- Fold back stabilizer prevents bracket from being pushed back in wall cavity during drywall installation
- Designed for mounting square boxes 12" or 18" above floor. Mounts to metal or wood plate.
- Mounts 4" or 4-11/16" square boxes
- Box can be mounted on support without drywall ring to save time by providing maximum working area in box
- When mounted, raised cover is brought to within 1/16" of drywall every time. Will not bulge or break out drywall

**COMPLIANCES**

- LISTED  
LISTED - UL E195973

US Patent 4,602,789

**APPLICATIONS (KS1RAC)**

- Rough-In-Ready® KS1RAC is designed to be used in conjunction with SBRNRRAC
- Adjusts the box assembly at various heights from floor 7" to 18" in 1" increments

**PRODUCT FEATURES**

- SBRNRRAC single box support brackets lock into KS1RAC using built in locator tabs
- Wrap under lip design and securing lock tab allows for KS1RAC to be positioned under stud for hands free installation of bracket/box assembly
- KS1RAC wall assembly can be easily located behind closed wall with built in locator tab that can be seen once drywall is in place
- Heavy 20 gauge .038" gauge pre-galvanized steel construction for secure and rigid support of boxes in wall cavity

**COMPLIANCE**

- LISTED

**APPLICATIONS (CS1RAC AND CS2RAC)**

- Rough-In-Ready® CS1RAC and CS2RAC are used to organize runs of MC or BX cables with spacing for NEC requirements that eliminates the need for derating
- Flexibility allows for multiple mounting applications

**PRODUCT FEATURES**

- Cable holders can be mounted in multiple configurations - wall/surface, hung by 1/4" all threaded rod, top of wall mounted or deck mounted
- Easy to use, integrated locking tabs hold cable securely in place - snap cable in, no additional hardware required to hold cables in place
- Cable holders accept cable range ranges from 12-2MC to 10-4MC
- Heavy 20 gauge .038" gauge pre-galvanized steel construction for secure and rigid support of boxes in wall cavity

**COMPLIANCE**

- LISTED

US Patent 6,996,943B2



BOX SUPPORTS - CEILING



920, 922



991



DHRAC  
*Rough-In-Ready*

CAT. #	DESCRIPTION	RECOMMENDED MAX. LOADS		STD. PKG.	BAR CODE
		CEILING FAN (DYNAMIC) LBS.	FIXTURE (STATIC) LBS.		
<b>Adjustable Bar Hangers</b>					
920	Clip, Adjusts 14-1/4" to 22-1/2"	No	10**	25	
922	Clip, Adjusts 14-1/4" to 22-1/2"	No	10**	50	—

\*\*UL rated at 16" span on center for 50 lbs.

CATALOG #	DESCRIPTION	STD. PKG.	BARCODE
<b>New Box Support Products</b>			
<b>NEW</b> 991	KWIK-HANG™ Box Support Hanger	50	—

CATALOG #	DESCRIPTION	STD. PKG.	BARCODE
<b>Universal Roof Deck Hanger</b>			
<b>NEW</b> DHRAC	Hanger	10	—

**APPLICATION (920, 922)**

- RACO® Adjustable bar hanger allows box to be placed between ceiling joists or wall studs quickly and easily

**PRODUCT FEATURES**

- Both RACO® 920 and 922 bar fixture hangers allow box to be located anywhere along length of bar
- 920, 922 Clip installs in 1/2" knockout located in bottom (back) of box
- RACO® box must be ordered separately

**BOX INSTALLATION**

- Bar hangers attach to octagon or square boxes through center 1/2" knockouts
- Remove knockout from box, also the screw and fixture clip from bar hanger
- When box is located accurately between joists, tighten the screw securely

**KWIK-HANG™ APPLICATIONS**

- Designed to support 4" square, 4-11/16" square, round, or octagon boxes in hanging applications
- Uses existing holes in bottom of box for quick installation

**KWIK-HANG™ FEATURES**

- Use with cable, wire, chain, strut (not included) to secure from building structure
- Quick installation
- Locks securely into position
- Durable steel construction
- Installation instructions included

**COMPLIANCES**

- cULus Listed for static fixtures load of 50 lbs or less
- Satisfies NEC 300.11 for box support
- File E195978

Patent Pending

**APPLICATIONS (DHRAC)**

- Rough-In-Ready® DHRAC provides means of static load support from roof decking. The DHRAC can be used to mount luminaires that need to be suspended from roof decking

**PRODUCT FEATURES**

- Easily installs to roof decking with use of 4, #8 or larger sheet metal screws (not included)
- Large 1-3/8" hole opening accommodates a variety of chains, cables hooks, etc.
- Heavy 20 gauge .038" gauge pre-galvanized steel construction for secure and rigid support
- Max. static support load for deck thickness of 20 or 22 gauge using min. 4, #8 or larger sheet metal screws - 100 lbs.

**COMPLIANCE**

-

**ACCESSORIES FOR STEEL BOXES**



970RAC

977, 8977,  
8977-5

969

9008, 9017

976

961

962

963

964

966

**“OLD WORK SADDLE” APPLICATION (970RAC)**

- The “Old Work Saddle” 907RAC is designed to be used with 2-1/2" deep switch boxes that have plaster ears

**“OLD WORK SADDLE” PRODUCT FEATURE**

- 970RAC installs into the 1/2" bottom conduit knockout

**GRIP-LOK® APPLICATION (977, 8977, 8977-5)**

- The GRIP-LOK support is designed to be used with any deep switch box that has plates ears

**GRIP-LOK® PRODUCT FEATURE**

- Simply slip GRIP-LOK between box and wall, then bend tabs into the box

**APPLICATIONS (9008, 9017)**

- Mounts standard low voltage wall plates, old work (existing walls)

**PRODUCT FEATURES**

- For use on low voltage Class 2 circuits only where electrical boxes are not required
- Can be used to mount telephone jacks, computer outlets, security/sound systems, television antennas, etc.
- Fast, precise mounting of low voltage wall plates to walls or studs

**COMPLIANCE**

- File E195973

**ADD-A-DEPTH APPLICATIONS (976)**

- Add-A-Depth ring or “goof ring” is designed to act as a barrier between combustible wall surfaces and the wiring system
- For single and two-gang device boxes
- There is no UL standard for this product
- Subject to acceptance by an electric inspector

CAT. #	DESCRIPTION	STD. PKG.	UPC BAR CODE
<b>Switch Box Support “Old Work Saddle”</b>			
970RAC	Mounts Switch Boxes with Plaster Ears in Hollow Walls or Ceilings	10	IIIIIIII
<b>GRIP-LOK® “Old Work” Switch Box Support</b>			
977	Supplied as a pair. Use pair to mount switch box with plaster ears in hollow wall, 1-7/8" long legs	100 pairs	—
8977	Supplied as a pair. Use pair to mount switch box with plaster ears in hollow wall, 1-7/8" long legs	25 pairs	IIIIIIII
8977-5*	Supplied as a pair. Use pair to mount switch box with plaster ears in hollow wall, 1-7/8" long legs	100 pairs	IIIIIIII
<b>Old Work Switch Box Clips</b>			
969	Old Work Clips for Switch Boxes, 1/2" Sheetrock	50 pairs	IIIIIIII
<b>Low Voltage Mounting Bracket</b>			
9008	New or Old Work Single Gang	100	—
9017	New or Old Work Single Gang	20 Bags**	IIIIIIII
<b>Add-A-Depth Ring Extends Switch Box Set Too Deep in Wall</b>			
976	Adjustment Range 1/4" - 1", Two 1-1/8" Screws Included	25 Bags	IIIIIIII

\*4 Bundles of 25 – sold in carton quantities only \*\*2 Brackets per polybag

CAT. #	DESCRIPTION	FOR RACO® SWITCH BOXES	STD. PKG.	UPC BAR CODE
<b>Switch Box Accessories, Replacement</b>				
961	Plaster Ears - Open Style with Screws	410, 420, 440, 445, 500, 503, 506, 508, 526, 545, 560, 565, 567, 570RAC, 590, 600, 601	100	IIIIIIII
962	Plaster Ears - Clipped Style with Screws	150, 400, 591	100	IIIIIIII
963	Plaster Ears - 1 Screw Style with Screws	471, 487, 517, 518, 519, 523	100	IIIIIIII
964	Old Work GRIP-TITE® Clip w/Screws	523	100	IIIIIIII
966	Old Work TIGERGRIP® Clip w/Screws	487, 506, 517	100	IIIIIIII

**NEC CODE 314.20**

- See page A(3) 2008 Standards

**COMPLIANCE**

- File E195973, E195968

**APPLICATION (969)**

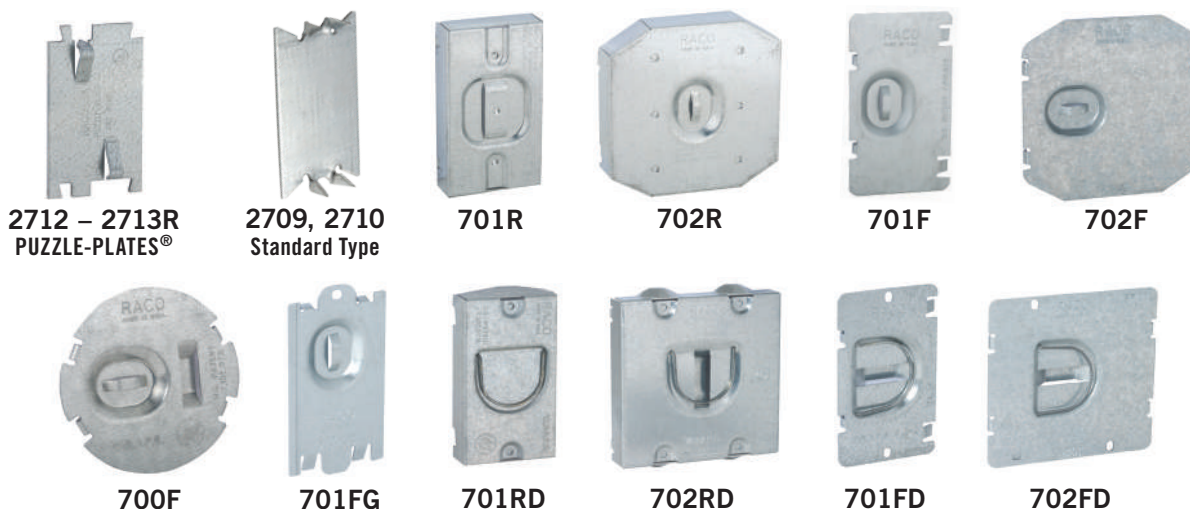
- Old work box support clips convert standard switch box to old work type

**PRODUCT FEATURE**

- Old work switch box clips for use with 1/2" thick standard drywall

PROTECTOR PLATES

CABLE PROTECTOR PLATES



2712 – 2713R  
PUZZLE-PLATES®

2709, 2710  
Standard Type

701R

702R

701F

702F



700F



701FG



701RD



702RD



701FD



702FD

CAT. #	CONTRACTOR PACK	DESCRIPTION	LENGTH	MATERIAL THICKNESS	STD. PKG.	UPC BAR CODE
<b>Cable Protectors Plates – For Wood Studs</b>						
2712	—	PUZZLE-PLATE/Gangable	2-3/4"	.0510"	100	
2712-9R	Yes	PUZZLE-PLATE/Gangable	2-3/4"	.0625"	50	—
2712-9	Yes	PUZZLE-PLATE/Gangable	2-3/4"	.0510"	50	—
2712R	—	PUZZLE-PLATE/Gangable	2-3/4"	.0625"	100	
2713	—	PUZZLE-PLATE/Gangable	5"	.0510"	50	
2713R	—	PUZZLE-PLATE/Gangable	5"	.0625"	50	
2709	—	Standard Type/NonGangable	2-9/16"	.0625"	100	
2709-9	Yes	Standard Type/NonGangable	2-9/16"	.0625"	100	—
2710	—	Standard Type/NonGangable	2-9/16"	.0625"	100	—

CAT. #	DESCRIPTION	DEVICE PROTECT	STD. PKG.
<b>Raised 3/4" and Flat for Device and Wire Protection</b>			
701R	3/4" Raised, for 1 Device Mudring	GFI, Duplex, Switch	24
702R	3/4" Raised, for 2 Device Mudring	GFI, Duplex, Switch	24
701F	Flat, for 1 Device Mudring	Opening and Wires	100
702F	Flat, for 2 Device Mudring	Opening and Wires	50
700F	Flat, Round 2-3/4" O.C. Opening Mudring	Opening and Wires	50
701RD	Gangable for RACO 686, 687, and RACO Nongangable Masonry Boxes	For Caddy® MP1S	24
702RD	3/4" Raised, Low Voltage	For Caddy® MP2S	24
701FD	3/4" Raised, Low Voltage	For Caddy® MP1S	50
702FD	3/4" Raised, Low Voltage	For Caddy® MP2S	50
701FG	Flat, Gangable for 686, 687, RACO Gang Masonry Boxes	Opening and Wires	100

APPLICATION (701R - 701FG)

- RACO® protector plates eliminate drywall compound, debris, paint and drywall router bit from entering box or damaging device or conductors

PRODUCT FEATURES

- Raised - covers protect Decora, duplex and switch devices
- Flat - covers close off mudring opening to protect wiring from drywall's router bit tools
- Feature patented wire retrieval loop to hold data wire in place

U.S. Patent 7,102,079

PUZZLE-PLATE™ CABLE PROTECTORS APPLICATION (2712 – 2713R)

- Protects nonmetallic sheathed cable or raceway type wires running through wood studs from accidental nail, screw, or drill penetration. Also applies to plumbing to protect nonmetallic piping

PUZZLE-PLATE™ PRODUCT FEATURES

- Innovative, interlocking design does not allow nail or screw penetration through gaps or holes
- Pre-galvanized steel construction for added corrosion protection
- No additional hardware required, just position and hammer down spurs
- Unique interlocking feature allows installer to easily increase area that requires protection

COMPLIANCE

- cUL<sub>us</sub> LISTED (not 2712, 2712-9, 2713)

NAILING SPUR APPLICATIONS (2709, 2710)

- Protects nonmetallic sheathed cable or raceway type wires running through wood members from accidental nail, screw or drill penetration
- No nails required

PRODUCT FEATURE

- Old work

COMPLIANCE

- cUL<sub>us</sub> LISTED (not 970RAC)

Patent Pending



**BOX GROUNDING PRODUCTS**



**982, 994 #14 Wire,  
996, 8996-1, 8983-1,  
983 #12 Wire**

**984,  
997 #14 Wire**

**992 #14 Wire  
993 #12 Wire**

**998,  
8998-1**

**973,  
8973-1**

**975,  
8975-1**

**GROUNDING APPLICATIONS**

- RACO® Grounding accessories provide a safe electrical path to ground to help prevent shock
- RACO® Grounding screws thread into the box and provide a means of fastening the ground conductor
- Ground wires fasten to the box and are then connected to wiring system or wiring device
- RACO® 6" and 8" ground pigtails feature 4-way (slotted, phillips, hex-head) combo 10-32 captive screw
- Ground clips provide a quick method of fastening a ground conductor to the edge of a steel outlet box
- Ground clips are designed for use with solid No. 14, 12, and 10 guage copper conductor or No. 12 and 10 guage aluminum conductor
- Only one solid ground wire to be installed per ground clip

**COMPLIANCE**

-  File E195975 (975, 8975-1)

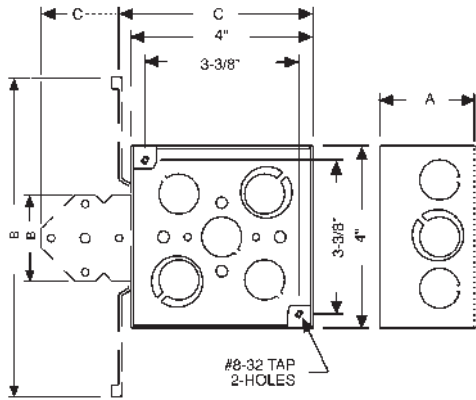
CAT. #		DESCRIPTION	STD. PKG.	UPC BAR CODE
WIRE LENGTH	6" 8"			
<b>Grounding Pigtails</b>				
<b>982</b>	<b>994</b>	#14 Solid insulated copper wire, captive 4-way combo head green dye finish ground screw one end (25 pc. bundles)	1000	—
<b>983</b>	<b>996</b>	#12 Solid insulated copper wire, captive 4-way combo head green dye finish ground screw one end (25 pc. bundles)	1000	—
<b>8983-1</b>	<b>8996-1</b>	#12 Solid insulated copper wire, captive 4-way combo head green dye finish ground screw one end, poly bag (10 pc. per bag)	40 Bags*	IIIIIIII
<b>984</b>	<b>997</b>	#14 Solid bare copper wire, captive 4-way combo head green dye finish ground screw one end (25 pc. bundles)	1000	—
—	<b>992</b>	#14 Stranded insulated copper wire, captive 4-way combo head green dye finish ground screw one end, spade terminal one end (100 pc. bundles)	500	—
—	<b>993</b>	#12 Stranded insulated copper wire, captive 4-way combo head green dye finish ground screw one end, spade terminal one end (100 pc. bundles)	500	—

CAT. #	DESCRIPTION	STD. PKG.	UPC BAR CODE
<b>Grounding Screws and Clips</b>			
<b>998</b>	4-way combo head green dye finish 3/8" ground screw for 10-32 tapped hole, clam shell packaged (100 pc. per clam shell)	1000	IIIIIIII
<b>8998-1</b>	4-way combo head green dye finish 3/8" ground screw for 10-32 tapped hole, poly bag (10 pc. per bag)	50 Bags*	IIIIIIII
<b>973</b>	Slotted head green dye finish 3/8" ground screw for 10-32 tapped hole, clam shell package (100 pc. per clam shell)	1000	IIIIIIII
<b>8973-1</b>	Slotted head green dye finish 3/8" ground screw for 10-32 tapped hole, poly bag (10 pc. per bag)	50 Bags*	IIIIIIII
<b>975</b>	Green dye finish ground clip for #14-#10 AWG copper, clam shell package (100 pc. per clam shell)	1000	IIIIIIII
<b>8975-1</b>	Green dye finish ground clip for #14-#10 AWG copper, poly bag (10 pc. per bag)	50 Bags*	IIIIIIII

\*Order standard package bag quantities only, not per piece

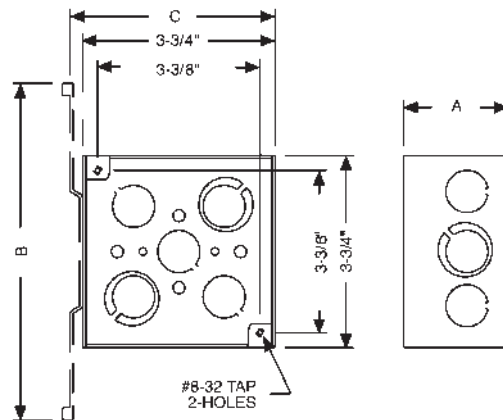
SQUARE BOXES

4" SQUARE CONDUIT BOXES



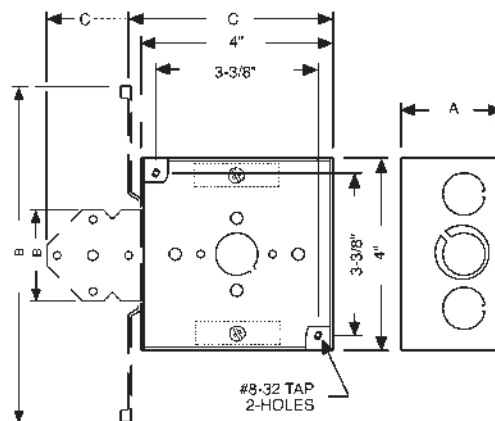
CAT. #	DIMENSIONS		
	A (INSIDE)	B	C
181	1-1/2"	-	-
185	1-1/4"	-	-
187	1-1/2"	-	-
199	1-1/2"	6-7/8"	4-3/8"
202	1-1/2"	-	-
204	1-1/2"	-	-
207	2-1/8"	-	-
226	1-1/2"	-	-
227	1-1/2"	4-5/8"	5-1/2"
236	2-1/8"	7-5/8"	4-3/8"
237	2-1/8"	7-5/8"	4-3/8"
238	2-1/8"	4-5/8"	5-1/2"
239	2-1/8"	-	-
251	2-1/8"	1-31/32"	6"
8197	1-1/2"	7-3/8"	4-3/8"
189, 8189	1-1/2"	-	-
189F	1-1/2"	-	-
189H	1-1/2"	3-1/8"	4-15/16"
189HS	1-1/2"	3-1/8"	4-15/16"
189HWP	1-1/2"	3-1/8"	4-15/16"
189M	1-1/2"	3-1/8"	4-15/16"
189RAC	1-1/2"	-	-
189SM	1-1/2"	-	-
190, 8190	1-1/2"	-	-
191, 8191	1-1/2"	-	-
192, 8192	1-1/2"	-	-
192SM	1-1/2"	-	-
193, 8193	1-1/2"	1-31/32"	6"
196, 8196	1-1/2"	6-7/8"	4-3/8"
201, 8201	1-1/2"	-	-
203, 8203	1-1/2"	-	-
208, 8208	1-1/2"	6-13/16"	5-15/16"
231, 8231	2-1/8"	-	-
232, 8232	2-1/8"	-	-
232F	2-1/8"	-	-
232H	2-1/8"	3-1/8"	4-15/16"
232HS	2-1/8"	3-1/8"	4-15/16"
232HWP	2-1/8"	3-1/8"	4-15/16"
232M	2-1/8"	7"	4-15/16"
232-OW	2-1/8"	-	-
232RAC	2-1/8"	-	-
232SM	2-1/8"	-	-
233, 8233	2-1/8"	-	-
235, 8235	2-1/8"	7"	4-5/16"
911-3	2-1/8"	-	-
911-4	2-1/8"	7-5/8"	4-3/8"
911-6	1-1/2"	-	-
911-9	1-1/2"	-	-

3-3/4" SQUARE CONDUIT BOXES



CAT. #	DIMENSIONS		
	A (INSIDE)	B	C
255	3-1/2"	7-5/8"	3-3/4"
911-1	3-1/2"	7-5/8"	3-3/4"
256	3-1/2"	-	-
911-2	3-1/2"	-	-

4" SQUARE CABLE BOXES

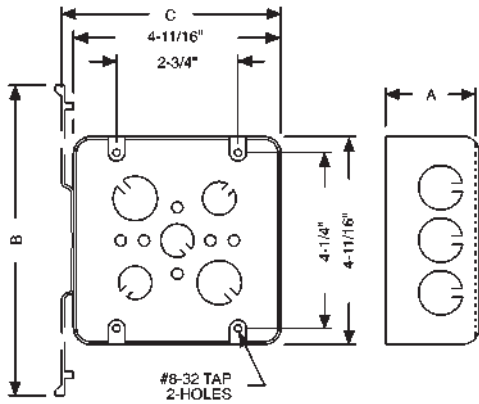


CAT. #	DIMENSIONS		
	A (INSIDE)	B	C
223	1-1/2"	6-7/8"	4-3/8"
224	1-1/2"	1-31/32"	6"
225	1-1/2"	1-31/32"	6"
228	1-1/2"	4-5/8"	5-1/2"
229	1-1/2"	4-5/8"	5-1/2"
242	2-1/8"	-	-
243	2-1/8"	4-5/8"	5-1/2"
248	1-1/2"	-	-
249	2-1/8"	1-31/32"	6"
211, 8211	1-1/2"	-	-
213, 8213	1-1/2"	-	-
213HWP	1-1/2"	3-1/8"	4-15/16"
218, 8218	1-1/2"	6-7/8"	4-3/8"
240, 8240	2-1/8"	7"	4-5/16"
241, 8241	2-1/8"	7"	4-5/16"
248HWP	2-1/8"	3-1/8"	4-15/16"



SQUARE BOXES

4-11/16" SQUARE CONDUIT BOXES

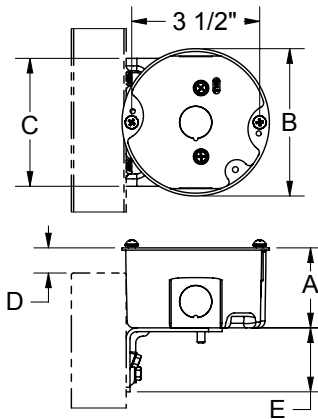


CAT. #	DIMENSIONS		
	A (INSIDE)	B	C
245	1-1/2"	-	-
246	1-1/2"	-	-
247	1-1/2"	-	-
250	1-1/2"	-	-
254	2-1/8"	7-5/8"	5-1/16"
258	2-1/8"	-	-
259	2-1/8"	-	-
260	3-1/4"	-	-
262	2-1/8"	-	-
266	2-1/8"	4-5/8"	6-3/16"
257, 8257	2-1/8"	-	-
257F	2-1/8"	-	-
257H	2-1/8"	-	-
257HS	2-1/8"	-	-
257M	2-1/8"	-	-
257SM	2-1/8"	-	-
258SM	2-1/8"	-	-
265, 8265	2-1/8"	-	-
911-12	2-1/8"	-	-
911-15	3-1/4"	-	-

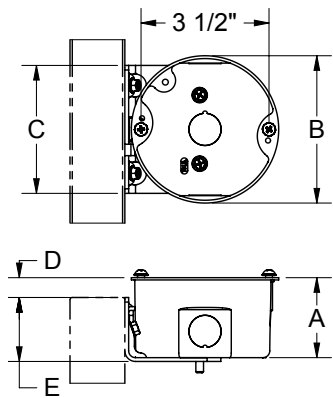
CEILING FAN SUPPORT PRODUCTS

CEILING FAN SUPPORT BOXES

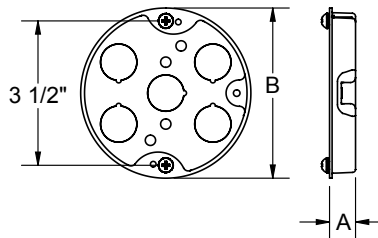
291-1, 294, 294-1 (New Work)



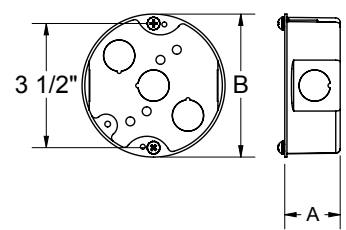
294, 294-1 (Old Work)



295 and 295-1



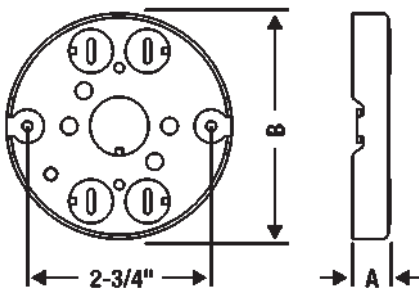
296 - 299



CAT. #	DIMENSIONS				
	A (INSIDE)	B	C	D	E
291-1	1-1/2"	4"	3-1/2"	1/2"	1-3/4"
294, 294-1	2-1/8"	4"	3-1/2"	1/2"	1-3/4"
295, 295-1	1/2"	4"	-	-	-
296, 296-1	1-1/2"	4"	-	-	-
299	2-1/8"	4"	-	-	-

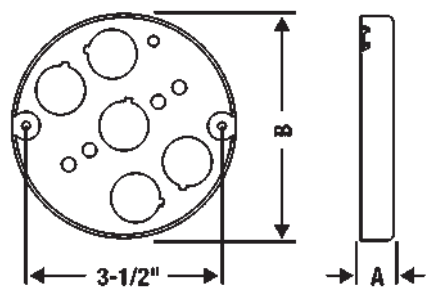
CEILING PANS

CEILING PANS - 3-1/2" 287, 292 AND 8292



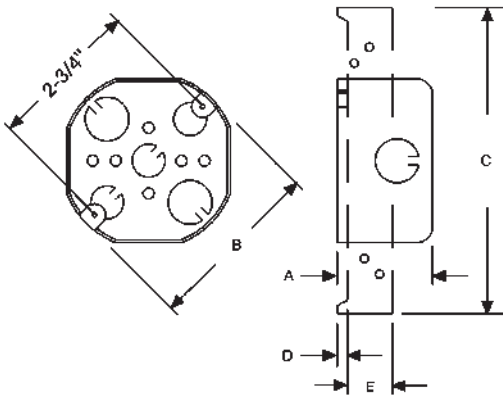
CAT. #	DIMENSIONS	
	A (INSIDE)	B
287	11/16"	3-3/8"
292	1/2"	3-3/8"
8292	1/2"	3-3/8"
293	1/2"	4"
8293	1/2"	4"

CEILING PANS - 4" 293 and 8293



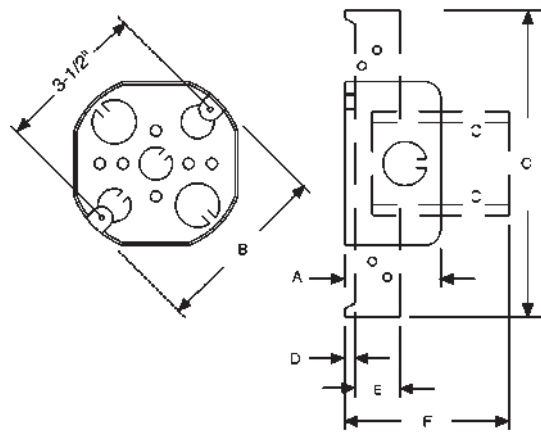
OCTAGON BOXES

3-1/2" OCTAGON BOXES



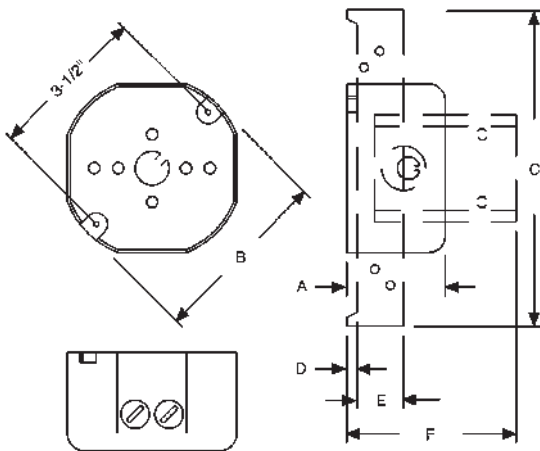
CAT. #	DIMENSIONS				
	A (INSIDE)	B	C	D	E
110	1-1/2"	3-1/2"	-	-	-
111	1-1/2"	3-1/2"	-	-	-
112	1-1/2"	3-1/2"	-	-	-
119	1-1/2"	3-1/2"	7"	-	1-1/16"

4" OCTAGON CONDUIT BOXES



CAT. #	DIMENSIONS					
	A (INSIDE)	B	C	D	E	F
125, 8125	1-1/2"	4"	-	-	-	-
126	1-1/2"	4"	-	-	-	-
127	1-1/2"	4"	-	-	-	-
127TS	1-1/2"	4"	7"	1/2"	1-1/16"	-
128	1-1/2"	4"	-	-	-	-
130	1-1/2"	4"	-	-	-	-
131RAC	1-1/2"	4"	-	-	-	-
158	1-1/2"	4"	2-3/8"	-	-	3-1/8"
165	2-1/8"	4"	-	-	-	-
166	2-1/8"	4"	-	-	-	-
161	1-1/2"	4"	7"	1/2"	1-1/16"	-
167	2-1/8"	4"	-	-	-	-
167TS	2-1/8"	4"	7"	1/2"	1-1/16"	-

4" OCTAGON CABLE BOXES

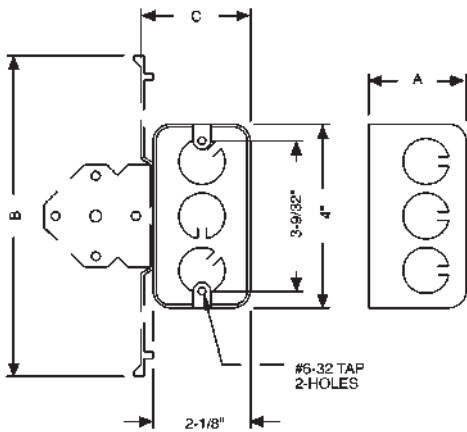


CAT. #	DIMENSIONS					
	A (INSIDE)	B	C	D	E	F
145	1-1/2"	4"	-	-	-	-
146	1-1/2"	4"	-	-	-	-
150	1-1/2"	4"	-	-	-	-
153	1-1/2"	4"	-	-	-	-
155	1-1/2"	4"	7"	1/2"	1-1/16"	-
157	1-1/2"	4"	2-3/8"	-	-	3-1/8"
160	1-1/2"	4"	2-3/8"	-	-	3-1/8"
164	1-1/2"	4"	7"	1/2"	1-1/16"	-
175	2-1/8"	4"	-	-	-	-
176	2-1/8"	4"	2-3/8"	5/8"	-	3-3/4"
177	2-1/8"	4"	7"	1/2"	1-1/16"	-

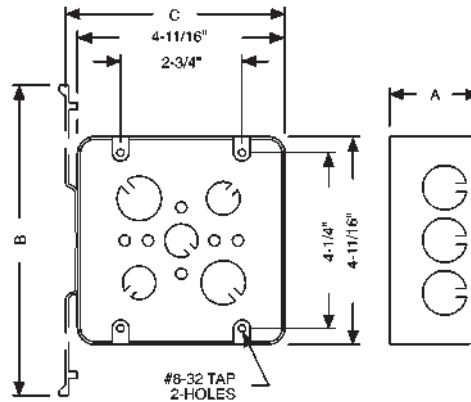


HANDY BOXES AND SWITCH BOXES

HANDY BOXES



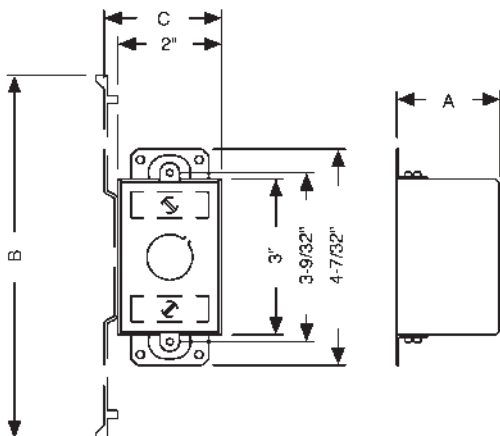
2-GANG HANDY BOXES / SWITCH BOXES



CAT. #	DIMENSIONS		
	A (INSIDE)	B	C
661	1-7/8"	6-7/16"	2-7/32"
662	1-7/8"	7"	2-3/8"
655	1-1/2"	1-31/32"	4-1/8"
670RAC	2-1/8"	-	-
8670	2-1/8"	-	-
674	2-1/8"	-	-
678	2-1/8"	7"	2-3/8"
650, 8650	1-1/2"	-	-
650CSA	1-1/2"	-	-
653	1-1/2"	-	-
660, 8660	1-7/8"	-	-
611	1-7/8"	-	-
660SM	1-7/8"	-	-
663, 8663	1-7/8"	-	-
663SM	1-7/8"	-	-
665	1-7/8"	-	-
671	2-1/8"	6-7/16"	2-7/32"

CAT. #	DIMENSIONS				
	A (INSIDE)	B	C	D	E
680	2-1/8"	4"	4"	-	-
681	2-1/8"	4"	4"	7"	4-9/32"
683	2-1/8"	4"	4"	-	-
685	2-1/8"	4"	4"	7"	4-9/32"

SINGLE GANG AND GANGABLE CONDUIT SWITCH BOXES

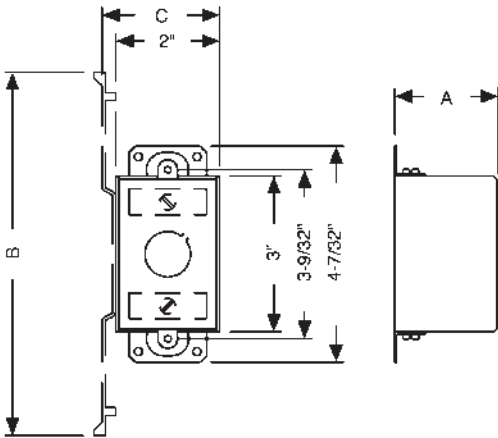


CAT. #	DIMENSIONS		
	A (INSIDE)	B	C
400	1-1/2"	-	-
420	2"	-	-
501	2-1/2"	-	-
502	2-1/2"	1-31/32"	4"
503	2-1/2"	-	-
505	2-1/2"	7"	2-13/64"
506	2-1/2"	-	-
508	2-1/2"	-	-
509	2-1/2"	-	-
560	2-3/4"	-	-
561	2-3/4"	-	-
562	2-3/4"	7"	2-13/64"
565	2-3/4"	-	-
591	3-1/2"	-	-
592	3-1/2"	-	-
500, 8500	2-1/2"	-	-
504, 8504	2-1/2"	7"	2-13/64"
590, 8590	3-1/2"	-	-



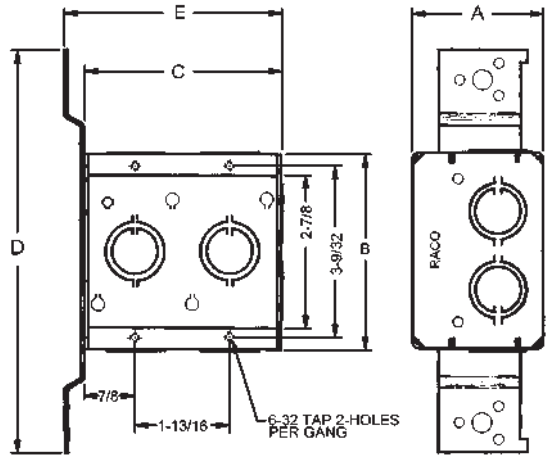
SWITCH BOXES

SINGLE GANG AND GANGABLE CABLE SWITCH BOXES



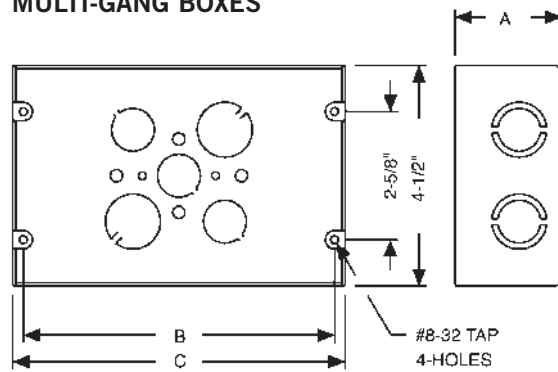
CAT. #	DIMENSIONS		
	A (INSIDE)	B	C
410	1-1/2"	-	-
440	2"	-	-
445	2"	-	-
471	2-1/4"	-	-
473	2-1/4"	-	-
487	2-1/4"	-	-
512	2-1/2"	-	-
517	2-1/2"	-	-
518	2-1/2"	-	-
519	2-1/2"	-	-
522	2-1/2"	1-31/32"	5-3/64"
523	2-1/2"	-	-
526	2-1/2"	1-3/8"	3-13/32"
528	2-1/2"	-	-
529	2-1/2"	1-31/32"	5-3/64"
531	2-1/2"	7"	2-13/64"
540	2-1/2"	1-31/32"	4"
545	2-1/2"	-	-
564	2-3/4"	7"	2-13/64"
567	2-3/4"	-	-
574	2-3/4"	7"	2-13/64"
600	3-1/2"	-	-
603	3-1/2"	1-31/32"	4"
604	3-1/2"	7"	2-13/64"
605	3-1/2"	7"	2-13/64"
524, 8524	2-1/2"	7"	2-13/64"
570RAC	2-3/4"	-	-
601, 8601	3-1/2"	-	-
601G	3-1/2"	-	-

MULTI-DEVICE SWITCH BOXES



CAT. #	DIMENSIONS				
	A (INSIDE)	B	C	D	E
686	2-1/2"	3-3/4"	5-9/16"	7-5/8"	5-31/32"
687	2-1/2"	3-3/4"	7-3/8"	7-5/8"	7-25/32"

MULTI-GANG BOXES

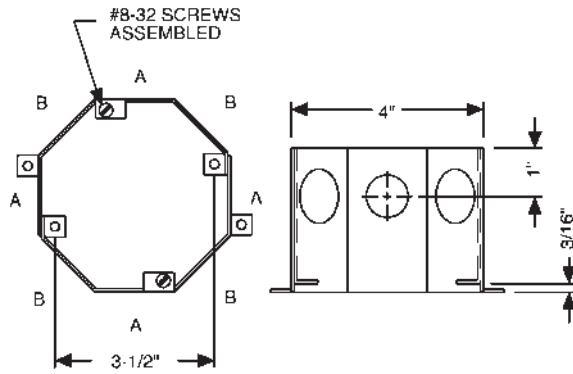


CAT. #	DIMENSIONS		
	A (INSIDE)	B	C
941	2-1/2"	6-3/8"	6-13/16"
942	2-1/2"	8-3/16"	8-5/8"
943	2-1/2"	10"	10-7/16"
944	2-1/2"	11-13/16"	12-1/4"
945	2-1/2"	13-5/8"	14-1/16"
951	1-5/8"	6-3/8"	6-13/16"
952	1-5/8"	8-3/16"	8-5/8"
953	1-5/8"	10"	10-7/16"
954	1-5/8"	11-13/16"	12-1/4"
955	1-5/8"	13-5/8"	14-1/16"
956	1-5/8"	15-7/16"	15-7/8"
957	1-5/8"	17-1/4"	17-11/16"
958	1-5/8"	19-1/16"	19-1/2"



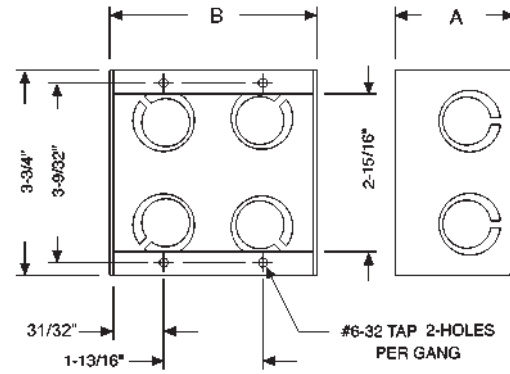
CONCRETE RINGS AND MASONRY BOXES

STEEL CONCRETE RINGS



KNOCKOUT SIZE	DIMENSIONS	
	A	B
1/2" & 3/4"	1/2"	3/4"
3/4" & 1"	3/4"	1"

STEEL MASONRY BOXES



CAT. #	DIMENSIONS	
	A (INSIDE)	B
688	2-1/2"	1-15/16"
690	2-1/2"	1-31/32"
691	2-1/2"	3-25/32"
692	2-1/2"	5-19/32"
693	2-1/2"	7-13/32"
694	2-1/2"	9-7/32"
960	2-1/2"	11-1/32"
689	3-1/2"	5-19/32"
695	3-1/2"	1-31/32"
8695	3-1/2"	1-31/32"
696	3-1/2"	3-25/32"
697	3-1/2"	5-19/32"
698	3-1/2"	7-13/32"
699	3-1/2"	9-7/32"
965	3-1/2"	11-1/32"

# *NONMETALLIC BOXES, COVERS AND ACCESSORIES*



GENERAL INFORMATION



MOST OFTEN REQUESTED SECTIONS OF THE 2014 NATIONAL ELECTRICAL CODE®

HOW RACO® PRODUCTS HELP COMPLETE THE INSTALLATION

**314.27 (A) Boxes at Lighting Fixture Outlets.**

Boxes used at lighting fixture luminaire shall be designed for the purpose.

Our octagon boxes are designed for direct mounting of light fixtures of 6 lbs or less.

Device boxes are designed for the mounting, (by #6-32 screws), of devices such as snap-switches and receptacles. They are not suitable for support other than for very lightweight devices, such as a smoke alarm unit. (See Article 314.27 (A) (1) or wall fixtures 6 lbs. or less [See 314.27 (A) (1) [Exception].

**410.20 Space for Conductors.** Canopies and outlet boxes taken together shall provide adequate space so that fixture conductors and their connecting devices can be properly installed.

When calculating the minimum cubic inch requirements for an outlet box, the canopy may be included in the calculation. However, the canopy of the fixture/fan needs to be marked with the cubic inch capacity. The volume of an unmarked canopy may be used at the discretion of the local authority having jurisdiction.

**314.27 (B) Floor Boxes.** Boxes listed specifically for this application shall be used for receptacles located in the floor. Exception: Boxes located in elevated floors of show windows and similar locations where the authority having jurisdiction judges them free from physical damage, moisture and dirt.

Only boxes that are UL Listed for the application may be fastened into the floor. RACO® floor boxes are in Section C in this catalog.

**314.27 (C) Boxes at Fan Outlets.** Boxes that support ceiling fans must be listed for that purpose.

At any ceiling outlet that is intended to have a ceiling (paddle) fan installed, a UL Listed outlet box rated for ceiling fan support must be used. RACO offers a complete line of products designed for various applications and mounting needs.

**410.36 (A) Means of Support — Outlet Boxes.** Where the outlet box or fitting will provide adequate support, a fixture shall be attached thereto or be supported as required by Section 314.27(A) (1) for boxes.

All outlet boxes that are intended to be used with fixtures are tested in accordance with UL 514A for steel boxes, UL 514C for plastic boxes. The test does provide an ample margin for safety.

**406.12, 406.3B, 406.4 Tamper-Resistant Receptacles** in dwelling units.

This prevents shocks to small children that like to insert keys, paper clips, etc. into the receptacle slots.



NONMETALLIC CABLE BOXES



7302RAC, 7820RAC



7873RAC

CAT. #	DESCRIPTION	CABLE KNOCKOUTS	STD. PKG.	UPC BAR CODE
<b>Single-gang with Captive Nails – For Nonmetallic Sheathed Cable</b>				
7302RAC	2-3/4" Deep, 18.0 Cu. In. (294.9 cm <sup>3</sup> ), Nails, 1/2" Setback	4	100	
7820RAC	3-3/16" Deep, 20.3 Cu. In. (332.6 cm <sup>3</sup> ), Nails, 1/2" Setback	4	100	
7873RAC	3-1/2" Deep, 23.0 Cu. In. (376.8 cm <sup>3</sup> ), Nails, 1/2" Setback	4	100	

**APPLICATIONS**

- RACO® Nonmetallic cable boxes are used in branch circuit wiring to splice wires
- Accommodate wiring devices such as switches and receptacles
- Provide excellent protection for wiring system or devices

**PRODUCT FEATURES**

- RACO® Nonmetallic cable boxes provide the installer with a cost alternative that is lightweight and easy to install
- Single-gang boxes have knockouts that break out quickly and cleanly for faster installation
- Positioning tabs for fast accurate mounting on studs or joists
- Oversized nail support that resists hammer impact and prevents box deformation

**STANDARD MATERIAL**

- Made of heavy-duty PVC (Polyvinyl chloride) compound

**REFERENCE DATA**

- Mounting holes U.S. Patent 4,580,689; Canada Patent 1,237,515
- Hex device holes U.S. Patent 4,666,055; Canada Patent 1,260,599

**COMPLIANCES**

- Standard 514C
- Boxes are listed for their Electrical Applications (Electrical Codes), UL Green Book
- Boxes are listed for mechanical properties, including the 2-hour Fire Rating, (building codes) UL Orange Book
- Federal Manufacturer's number 28488



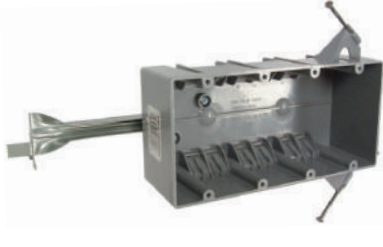
MULTI-GANG WITH CAPTIVE NAILS

# RACO

## NONMETALLIC CABLE BOXES



7835RAC



7645RAC



7846RAC



7848RAC



7874RAC

### APPLICATIONS

- RACO® Nonmetallic cable boxes are used in branch circuit wiring to splice wires
- Accommodate wiring devices such as switches and receptacles
- Provide excellent protection for wiring system or devices

### PRODUCT FEATURES

- RACO® Nonmetallic cable boxes provide the installer with a cost alternative that is lightweight and easy to install
- Self-clamping wire entry clamps
- Positioning tabs for fast accurate mounting on studs or joists
- Oversized nail support that resists hammer impact and prevents box deformation

### STANDARD MATERIAL

- Made of heavy-duty PVC (Polyvinyl chloride) compound

### REFERENCE DATA

- Cable clamp U.S. Patent 4,605,816; Canada Patent 1,233,900
- Mounting holes U.S. Patent 4,580,689; Canada Patent 1,237,515
- Hex device holes U.S. Patent 4,666,055; Canada Patent 1,260,599
- Four-gang box support U.S. Patent 4,666,055

### COMPLIANCES

- Standard 514C
- Boxes are listed for their Electrical Applications (Electrical Codes), UL Green Book
- Boxes are listed for mechanical properties, including the 2-hour Fire Rating (except 7645RAC), (building codes) UL Orange Book
- Federal Manufacturer's number 28488

CAT. #	DESCRIPTION	CABLE KNOCKOUTS	CABLE CLAMPS	CU. IN. CAP.	STD. PKG.	UPC BAR CODE
<b>Two-gang with Captive Nails for Wood Studs – For Nonmetallic Sheathed Cable</b>						
7835RAC	2-29/32" Deep, Nails	—	8	32.5 (532.5 cm <sup>3</sup> )	15	
<b>Multi-gang with Captive Nails for Wood Studs – For Nonmetallic Sheathed Cable</b>						
7645RAC	2-5/8" Deep, Four-gang, Nails, 1/2" Setback, Bracket Support	—	12	55.0 (901.2 cm <sup>3</sup> )	25	
7846RAC	2-3/4" Deep, Three-gang, Nails, 1/2" Setback	—	12	44.0 (720.9 cm <sup>3</sup> )	8	
<b>Multi-gang, Large Capacity, with Captive Nails – For Wood Stud or Face Mounted to Wood or Metal Stud -Nonmetallic Sheathed Cable</b>						
7848RAC	3-7/8" Deep, Two-gang, Nails, 1/2" Setback, Bracket	—	8	48.0 (786.5 cm <sup>3</sup> )	50	
7874RAC	3-7/8" Deep, Three-gang, Nails, 1/2" Setback, Bracket	—	12	74.0 (1212.5 cm <sup>3</sup> )	50	



NONMETALLIC CABLE BOXES



7308RAC



7318RAC



7717RAC



2001RAC

CAT. #	DESCRIPTION	CABLE KNOCKOUTS	STD. PKG.	UPC BAR CODE
<b>Single-gang with Brackets for Metal or Wood Studs – For Nonmetallic Sheathed Cable</b>				
7308RAC	1-1/4" Deep, 8.0 Cu. In. (131.0 cm <sup>3</sup> ), 3/8" Setback, Bracket	2	25	
7318RAC	1-1/4" Deep, 8.0 Cu. In. (131.0 cm <sup>3</sup> ), Flanged, 3/8" Setback	2	25	
7717RAC	2-27/32" Deep, 20.0 Cu. In. (327.7 cm <sup>3</sup> ), Face Mount, 1/2" Setback	4	100	
2001RAC	2-3/4" Deep, 18.0 Cu. In. (294.9 cm <sup>3</sup> ), 1/2" Setback, Bracket, Ground Screw	4	50	

APPLICATIONS

- RACO® Nonmetallic cable boxes are used in branch circuit wiring to splice wires
- Accommodate wiring devices such as switches and receptacles
- Provide excellent protection for wiring system or devices

PRODUCT FEATURES

- RACO® Nonmetallic cable boxes provide the installer with a cost alternative that is lightweight and easy to install
- Single-gang boxes have knockouts that break out quickly and cleanly for faster installation
- Positioning tabs for fast accurate mounting on studs or joists

STANDARD MATERIAL

- Made of heavy-duty PVC (Polyvinyl chloride) compound

REFERENCE DATA

- Mounting holes U.S. Patent 4,580,689; Canada Patent 1,237,515
- Hex device holes U.S. Patent 4,666,055; Canada Patent 1,260,599

COMPLIANCES

- Standard 514C
- Listed (2001RAC)
- Boxes are listed for their Electrical Applications (Electrical Codes), UL Green Book
- Boxes are listed for mechanical properties, including the 2-hour Fire Rating, (building codes) UL Orange Book
- Federal Manufacturer's number 28488



NONMETALLIC CABLE BOXES



7887RAC



7488RAC



7122RAC



7922RAC

APPLICATIONS

- RACO® Nonmetallic cable boxes are used in branch circuit wiring to splice wires
- Accommodate wiring devices such as switches and receptacles
- Provide excellent protection for wiring system or devices

PRODUCT FEATURES

- RACO® Nonmetallic cable boxes provide the installer with a cost alternative that is lightweight and easy to install
- Self-clamping wire entry clamps
- Extra long, metal swing arms ensure secure installation
- RACO® 7122RAC and 7922RAC feature wrap-around metal clamp to secure box to sheetrock

STANDARD MATERIAL

- Made of heavy-duty PVC (Polyvinyl chloride) compound. 7122RAC and 7922RAC are polycarbonate

REFERENCE DATA

- Old work support U.S. Patent 4,183,486
- Cable clamp U.S. Patent 4,874,905
- Mounting holes U.S. Patent 4,580,689; Canada Patent 1,237,515
- Hex device holes U.S. Patent 4,666,055; Canada Patent 1,260,599

COMPLIANCES

- Standard 514C
- Boxes are listed for their Electrical Applications (Electrical Codes), UL Green Book
- Boxes are listed for mechanical properties, including the 2-hour Fire Rating, (building codes) UL Orange Book
- Federal Manufacturer's number 28488

CAT. #	DESCRIPTION AND SETBACK	CABLE CLAMPS	STD. PKG.	UPC BAR CODE	RECOMMENDED MAX. SUPPORT LOADS Fixture Lbs. (static)
<b>Old Work Cable Boxes – For Nonmetallic Sheathed Cable</b>					
7887RAC	Single-gang, 2-29/32" Deep, 14.0 Cu. In. (229.4 cm <sup>3</sup> ), Flush Mount	4	50		—
7488RAC	Two-gang, 2-3/4" Deep, 25.0 Cu. In. (409.6 cm <sup>3</sup> ), Flush Mount	6	30		—
7122RAC	3-1/2" Round, 2-13/16" Deep, 18.0 Cu. In. (294.9 cm <sup>3</sup> ), Flush Mount	4	100		6
7922RAC	3-1/2" Round, 2-13/16" Deep, 18.0 Cu. In. (294.9 cm <sup>3</sup> ), Flush Mount, Ground Plate	4	100		—





NONMETALLIC CABLE BOXES



7220RAC



7232RAC



978



980 BOX-LOC®

CAT. #	DESCRIPTION	CABLE CLAMPS	STD. PKG.	UPC BAR CODE
<b>4" Square Boxes – For Nonmetallic Sheathed Cable</b>				
7220RAC	1-5/8" Deep, 18.0 Cu. In. (294.9 cm <sup>3</sup> ), Nails	8	8	
7232RAC	2-5/8" Deep, 32.0 Cu. In. (524.3 cm <sup>3</sup> ), Nails	10	8	

CAT. #	DESCRIPTION	STD. PKG.	UPC BAR CODE
<b>Accessories</b>			
978	Far-side Box Support	50	—
980	BOX-LOC® Metal Stud Clip	50	

APPLICATIONS

- RACO® Nonmetallic cable boxes are used in branch circuit wiring to splice wires
- Accommodate wiring devices such as switches and receptacles
- Provide excellent protection for wiring system or devices

PRODUCT FEATURES

- RACO® Nonmetallic cable boxes provide the installer with a cost alternative that is lightweight and easy to install
- Self-clamping wire entry clamps
- RACO® BOX-LOC® for metal studs can be installed to either the 7220RAC or 7232RAC quickly and easily. With just a push, it simply snaps into the grooves on the side of box. The 978 far-side box support can be added to complete a rigid and secure installation

STANDARD MATERIAL

- Made of heavy-duty PVC (Polyvinyl chloride) compound

REFERENCE DATA

- Cable clamp U.S. Patent 4,874,905 and 4,605,816; Canada Patent 1,233,900
- Mounting holes U.S. Patent 4,580,689; Canada Patent 1,237,515
- Hex device holes U.S. Patent 4,666,055; Canada Patent 1,260,599
- US Patent 4,898,357 (978)
- US Patent 5,408,045 (980)

COMPLIANCES

- Standard 514C
- Boxes are listed for their Electrical Applications (Electrical Codes), UL Green Book
- Boxes are listed for mechanical properties, including the 2-hour Fire Rating, (building codes) UL Orange Book
- Federal Manufacturer's number 28488



NONMETALLIC CABLE BOXES



7919RAC



7119RAC



7823RAC



7824RAC

**APPLICATIONS**

- RACO® Nonmetallic cable boxes are used in branch circuit wiring to splice wires
- Provide excellent protection for wiring system or devices
- For use wherever lighting fixture canopies are to be installed
- Ceiling boxes on this page are not designed for ceiling fan support

**PRODUCT FEATURES**

- RACO® Nonmetallic cable boxes provide the installer with a cost alternative that is lightweight and easy to install
- Self-clamping wire entry clamps
- Round fixture boxes offer an optional front-mounted grounding screw
- Oversized nail support that resists hammer impact and prevents box deformation

**STANDARD MATERIAL**

- Made of heavy-duty engineered compound. Base material is polycarbonate

**REFERENCE DATA**

- Cable clamp U.S. Patent 4,874,905 and 4,605,816; Canada Patent 1,233,900
- Mounting holes U.S. Patent 4,580,689; Canada Patent 1,237,515
- Hex device holes U.S. Patent 4,666,055; Canada Patent 1,260,599

**COMPLIANCES**

- Standard 514C
- Boxes are listed for their Electrical Applications (Electrical Codes), UL Green Book
- Boxes are listed for mechanical properties, including the 2-hour Fire Rating, (building codes) UL Orange Book
- Federal Manufacturer's number 28488

CAT. #	DESCRIPTION AND SETBACK	CABLE CLAMPS	STD. PKG.	UPC BAR CODE	RECOMMENDED MAX. SUPPORT LOADS	
					Ceiling Fan Lbs. (dynamic)	Fixture Lbs. (static)
<b>3-1/2" Round Ceiling Boxes – With Captive Nails, For Nonmetallic Sheathed Cable</b>						
7119RAC	2-5/8" Deep, 18.0 Cu. In. (294.9 cm <sup>3</sup> ), 1/2" Setback, Nails	4	75		—	50
7919RAC	2-5/8" Deep, 18.0 Cu. In. (294.9 cm <sup>3</sup> ), 1/2" Setback, Nails, Ground Plate,	6	75		—	50
<b>4" Round Ceiling Boxes – With Captive Nails, For Nonmetallic Sheathed Cable</b>						
7824RAC	2-3/8" Deep, 20.0 Cu. In. (327.7 cm <sup>3</sup> ), 3/8" Setback, Nails	4	75		—	50
7823RAC	2-3/8" Deep, 20.0 Cu. In. (327.7 cm <sup>3</sup> ), Ground Plate, 3/8" Setback, Nails	4	75		—	50



ROUND CEILING BOXES

NONMETALLIC CABLE BOXES



7307



7907



7826RAC



7825



7120VB  
SADDLE BOX®



7120  
SADDLE BOX®



7120-1  
SADDLE BOX®

CAT. #	DESCRIPTION AND SETBACK	CABLE CLAMPS	STD. PKG.	UPC BAR CODE	RECOMMENDED MAX. SUPPORT LOADS	
					Ceiling Fan Lbs. (dynamic)	Fixture Lbs. (static)
<b>3-1/2" Round Ceiling Set-up – For Spanning From Joist to Joist For Nonmetallic Sheathed Cable</b>						
7307*	2-5/8" Deep, 18.0 Cu. In. (294.9 cm <sup>3</sup> ), 1/2" Setback, Adj. 14-3/4" - 22-1/2"	4	25	IIIIIIII	No	10 <sup>①</sup>
7907*	2-5/8" Deep, 18.0 Cu. In. (294.9 cm <sup>3</sup> ), 1/2" Setback, Adj. 14-3/4" - 22-1/2", w/Ground Plate	4	25	IIIIIIII	No	10 <sup>①</sup>
<b>4" Round Ceiling Set-up – For Spanning From Joist to Joist For Nonmetallic Sheathed Cable</b>						
7826RAC*	2-3/8" Deep, 20.0 Cu. In. (327.7 cm <sup>3</sup> ), Adj. 14-3/4" - 22-1/2"	6	25	IIIIIIII	No	10 <sup>①</sup>
7825*	2-3/8" Deep, 20.0 Cu. In. (327.7 cm <sup>3</sup> ), Adj. 14-3/4" - 22-1/2", w/Ground Plate	6	25	IIIIIIII	No	10 <sup>①</sup>

① 10 Lbs. max. load recommended UL Rated for 50 Lbs. on 16" centers.

CAT. #	DESCRIPTION	KNOCKOUTS			STD. PKG.	UPC BARCODE	RECOMMENDED MAX. SUPPORT LOADS	
		Cable Clamps	Sides Conduit	Bottom Conduit			Ceiling Fan Lbs. (Dynamic)	Fixture Lbs. (Static)
<b>SADDLE BOX® 4" Round Ceiling Fan and Fixture Box – For Nonmetallic Sheathed Cable or Conduit</b>								
7120VB	12.5 Cu. In. (204.8 cm <sup>3</sup> )	4	—	—	24	IIIIIIII	70	210
7120*	12.5 Cu. In. (204.8 cm <sup>3</sup> )	4	—	—	20*	IIIIIIII	70	210
7120-1	12.5 Cu. In. (204.8 cm <sup>3</sup> )	4	—	—	24	IIIIIIII	70	210

\* Packaged in a stackable, individual chipboard display cartons.

COMPLIANCES

- Standard 514C
- All versions of RACO 7120 are UL approved for nonmetallic wiring systems
- Boxes are listed for their Electrical Applications (Electrical Codes), UL Green Book
- Boxes are listed for mechanical properties, including the 2-hour Fire Rating, (building codes) UL Orange Book
- Federal Manufacturer's number 28488

APPLICATIONS

- RACO® Nonmetallic cable boxes are used in branch circuit wiring to splice wires
- Provide excellent protection for wiring system or devices
- RACO® 7907, 7307, 7825, 7826RAC are not designed for ceiling fan support

PRODUCT FEATURES

- RACO® Nonmetallic cable boxes provide the installer with a cost alternative that is lightweight and easy to install
- Self-clamping wire entry clamps
- Round fixture boxes offer an optional front-mounted grounding screw
- For use wherever fans (Cat. #7120, 7120-1, 7120-VB only) or lighting fixture canopies are to be installed

STANDARD MATERIAL

- Made of heavy-duty engineered compound. Base material is polycarbonate

REFERENCE DATA

- Cable clamp U.S. Patent 4,874,905 and 4,605,816; Canada Patent 1,233,900
- Mounting holes U.S. Patent 4,580,689; Canada Patent 1,237,515
- Hex device holes U.S. Patent 4,666,055; Canada Patent 1,260,599
- Cat. #7120 U.S. Patent 5,234,119; Mexico Patent 179,825



CABLE BOXES



7320



7321

**APPLICATIONS**

- RACO® Nonmetallic cable boxes are used in branch circuit wiring to splice wires
- Provide excellent protection for wiring system or devices
- Accommodate wiring devices such as switches and receptacles

**PRODUCT FEATURES**

- RACO® Nonmetallic cable boxes provide the installer with a cost alternative that is lightweight and easy to install
- Self-clamping wire entry clamps
- All outlet boxes have a front-mounted grounding screw with combination straight/Robertson head
- Positioning tabs provide fast, accurate mounting on studs or joists
- grounding screw provided

**STANDARD MATERIAL**

- Made of high strength Noryl®
- Noryl® is a registered trademark of General Electric Corporation

**COMPLIANCES**

-  Specifications C22.2 #18
- Federal Manufacturer's number 28488

CAT. #	DESCRIPTION	STD. PKG.	UPC BAR CODE
<b>Single Gang – Fast Wire</b>			
7320	Shallow, Fast Wire, 17.0 Cu. In. (278.5 cm <sup>3</sup> )	50	—
7321	Fast Wire Clamp	1000	—



NONMETALLIC CABLE BOXES



2011-FBAR



2002-FBAR



2003-FBAR



2027-FBAR



7120VB  
SADDLE BOX®

CAT. #	DESCRIPTION AND SETBACK	CABLE CLAMPS	STD. PKG.	UPC BAR CODE	RECOMMENDED MAX. SUPPORT LOADS	
					Ceiling Fan Lbs. (dynamic)	Fixture Lbs. (static)
<b>Vapor Barrier Cable Boxes</b>						
2011-FBAR	2-3/4" Deep, 18.0 Cu. In. (294.9 cm <sup>3</sup> ), 1/2" Setback	4	50	IIIIIIII	No	50
2002-FBAR	2-3/4" Deep, 37.0 Cu. In. (606.2 cm <sup>3</sup> ), 1/2" Setback	8	50	IIIIIIII	No	50
2003-FBAR	2-3/4" Deep, 51.0 Cu. In. (835.6 cm <sup>3</sup> ), 1/2" Setback	12	25	IIIIIIII	No	50
<b>4" Round Vapor Barrier Cable Box – For Ceiling</b>						
2027-FBAR	2-5/8" Deep, 27.15 Cu. In. (444.8 cm <sup>3</sup> ), 1/2" Setback	4	36	IIIIIIII	No	50
<b>4" Round Vapor Barrier Ceiling Fan Box</b>						
7120VB	2-5/8" Deep, 12.5 Cu. In. (204.8 cm <sup>3</sup> )	4	24	IIIIIIII	70	210

APPLICATIONS

- Vapor barrier boxes prevent unwanted penetration of exterior air and help maintain the existing interior environment from elements outside of the structure
- RACO® Nonmetallic vapor barrier cable boxes provide the installer with a cost alter-native that is lightweight and easy to install
- RACO® Nonmetallic cable boxes are used in branch circuit wiring to splice wires
- Accommodate wiring devices such as switches and receptacles
- Serve as fixture support
- Provide excellent protection for wiring system or devices
- RACO® 2027-FBAR is not designed for ceiling fan support

PRODUCT FEATURES

- Self-clamping wire entry clamps
- 2027-FBAR and 7120VB boxes have a front-mounted grounding screw with combination straight/Robertson head
- Vapor/air barrier flange and integral wire entry seal provides superior energy savings and quick installation
- Hands free installation
- For 1/2", 5/8", or 3/4" drywall
- Unique saddle design straddles standard joists - 7120VB
- 7120VB prevents unwanted penetration of exterior air and helps maintain the existing interior environment from the elements outside the structure
- Fits any 1-1/2" wide joist

STANDARD MATERIAL

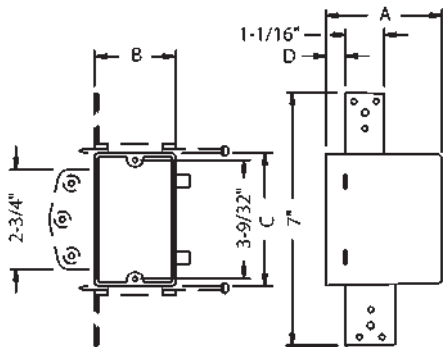
- Made of high strength Noryl®
- Noryl® is a registered trademark of General Electric Corporation

COMPLIANCES

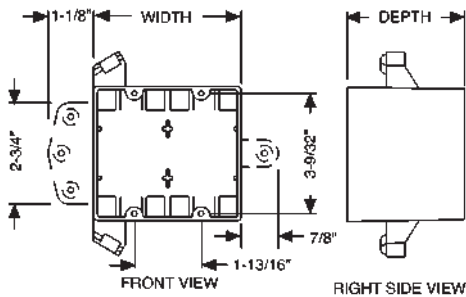
- Specifications C22.2 #18 - 2011FBAR, 2002FBAR, 2003FBAR, 2008FBAR
- Federal Manufacturer's number 28488
- Standard 514C (7120VB)



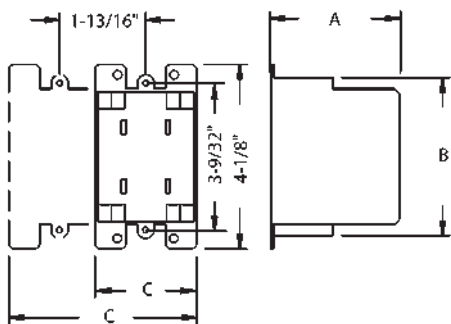
NONMETALLIC CABLE BOXES



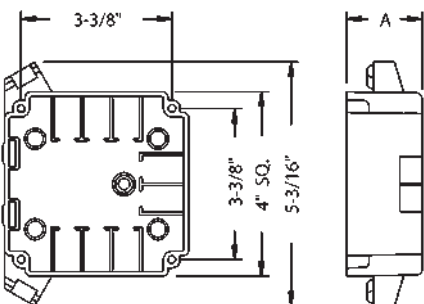
Nonmetallic Outlet Boxes				
CATALOG NUMBER	A	B	C	D
7302RAC	2-3/4"	2-1/4"	3-19/32"	1/2"
7820RAC	3-3/16"	2-1/4"	3-19/32"	1/2"
7873RAC	3-1/2"	2-1/4"	3-19/32"	1/2"
7308RAC	1-1/4"	2-3/8"	3-1/2"	3/8"
7318RAC	1-1/4"	2-3/8"	3-1/2"	—
7717RAC	2-27/32"	2-1/4"	3-19/32"	1/2"
7848RAC	2-27/32"	2-1/4"	3-19/32"	5/8"
7874RAC	3-3/16"	2-1/4"	3-19/32"	5/8"
2001RAC	2-13/16"	2-1/4"	3-21/32"	1/2"



Multi-gang Outlet Boxes			
CATALOG NUMBER	GANG	WIDTH	DEPTH
7835RAC	2	4"	2-29/32"
7645RAC	4	7-5/8"	2-5/8"
7846RAC	3	5-7/8"	2-3/4"
7848RAC	2	4"	3-31/32"
7874RAC	3	8-7/16"	3-31/32"



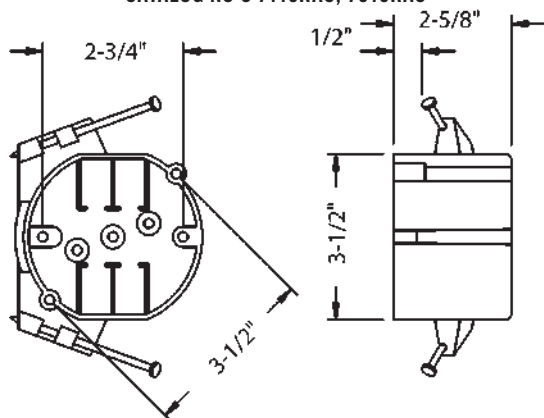
Old Work Nonmetallic Outlet Boxes				
CATALOG NUMBER	GANG	A	B	C
7887RAC	1	2-29/32"	3-1/8"	2-1/4"
7488RAC	2	2-3/4"	4"	3"



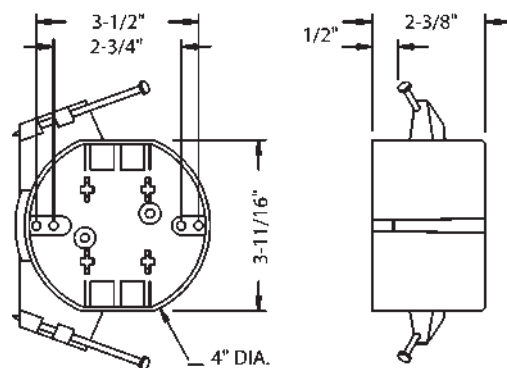
4" Square with Captive Nails for Metal or Wood Studs	
CATALOG NUMBER	A (DEPTH)
7220RAC	1-5/8"
7232RAC	2-5/8"

NONMETALLIC CABLE BOXES

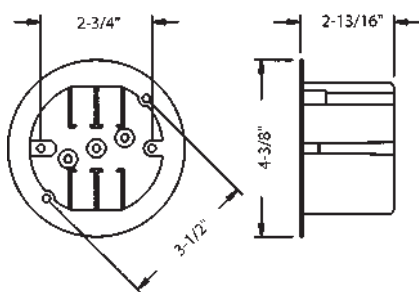
CATALOG NO'S 7119RAC, 7919RAC



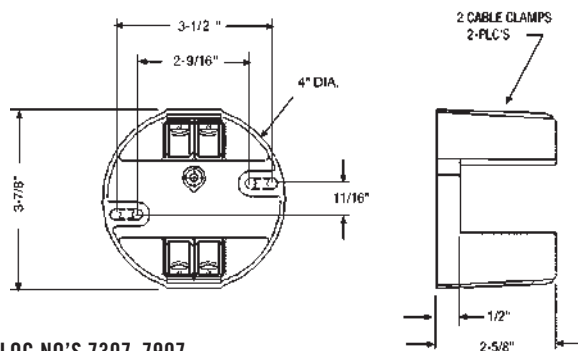
CATALOG NO'S 7823RAC, 7824RAC



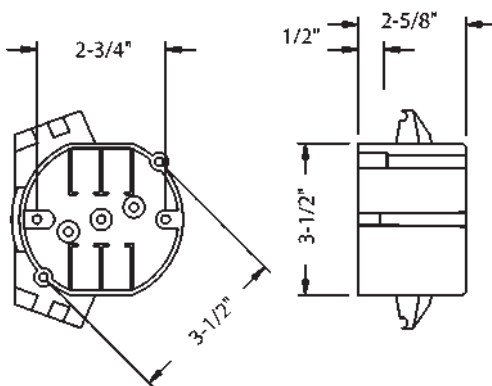
CATALOG NO'S 7122RAC, 7922RAC



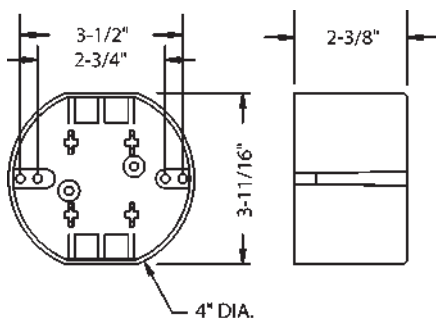
CATALOG NO'S 7120, 7120-1, 7120VB



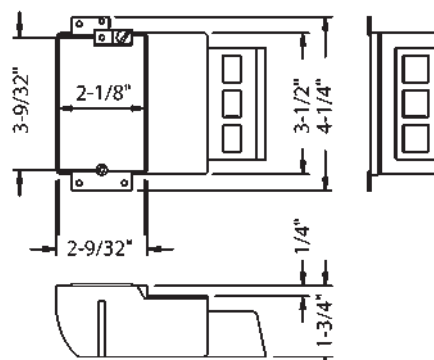
CATALOG NO'S 7307, 7907



CATALOG NO'S 7825, 7826RAC



CATALOG NO'S 7320



FLOOR BOXES





### GENERAL INFORMATION

RACO® floor boxes are ideally suited for heavy floor traffic applications, such as shopping malls, retail stores, banks and schools. Floor boxes are installed in poured concrete floors and are fed with conduit. RACO's complete line includes both single service and three-service (power and voice/data) floor boxes, which are available in cast iron, stamped steel and PVC plastic. Floor box covers and carpet flanges are offered in brushed brass and textured thermoplastic in two designer colors, ivory and gray. RACO floor boxes:

- Are used in branch circuit wiring
- Accommodate wiring devices such as receptacles for voice/data
- Provide excellent protection for wiring system or devices
- Must be closed with a cover
- Permit access to conductors for maintenance

### NON-ADJUSTABLE STYLE FEATURES

This type of box has no means for adjustment. It is usually installed in wooden floors or used for retrofit in concrete:

RACO quality non-adjustable floor boxes feature:

- Rugged cast iron for strength and ground continuity
- Factory-installed ground wire
- Simple one-piece floor box design offers flexibility for power outlet or voice/data outlets
- Conveniently positioned conduit entries are tapped and plugged

### FULLY-ADJUSTABLE FLOOR BOX FEATURES

This type of box has leveling screws for height and leveling adjustments to be made before the concrete is poured, and final leveling adjustments after the concrete is poured. The maximum leveling adjustment is a 7° tilt.

Fully-adjustable floor boxes feature:

- Concrete-tight floor boxes for use in power or voice/data
- Cast Iron boxes classified as watertight and concrete-tight, typically used below grade where excessive moisture is present.
- Choice of materials - stamped steel or cast iron
- Cast iron floor box including factory installed ground wire, and multiple gang boxes with one ground wire per gang
- Multiple gang boxes provided with low voltage partitions
- Ample wiring space for any combination of power outlet or voice/data outlets

### STANDARD MATERIALS

- Nonmetallic floor box is made of heavy-duty PVC (Polyvinyl chloride) compound. Base material is recycled
- Steel floor boxes are made of .0625 inch thick steel
- Cast iron floor boxes are made from cast iron having a high tensile strength
- Solid brass covers and carpet flanges
- Nonmetallic floor box covers and carpet flanges are made of high strength thermoplastic (ABS)

### STANDARD FINISHES

- Natural gray finish on nonmetallic floor box
- Nonmetallic floor box covers and carpet flanges are available in gray powder coat paint finish
- Steel boxes have a zinc coating
- Cast iron floor boxes have a gray powder coat paint finish
- Solid brass covers and carpet flanges have a brushed finish

### COMPLIANCES

Floor boxes are subject to the same code requirements and minimum conductor fill requirements as other boxes. RACO floor boxes carry the following compliances:

- UL Standard 514-A
- Boxes are listed for their Electrical Applications (Electrical Codes), UL Green Book
- Federal Manufacturer's number 28488

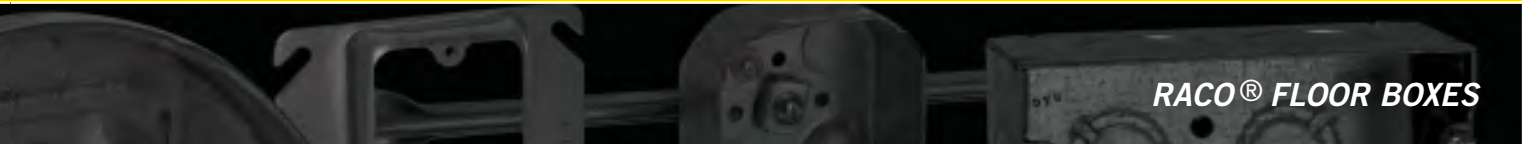
### REFERENCE DATA

- Minimum wiring capacity calculation can be found on pages A8 of this catalog

### FLOOR BOX INSTALLATION

Installing a fully-adjustable floor box in a poured concrete floor: RACO provides with all box assemblies or flanges a metallic concrete cover. The concrete cover permits pouring concrete to the top of the box. The cover is then easily removed after the pour. To install the box:

- Locate box and install conduit in accordance with local codes
- Secure box to reinforcing bar (mesh)
- Make pre-pour height and leveling adjustments
- Grease inside of cement cover and install on box
- Grease outside of cement cover
- Apply bead of grease on exposed portion of adjusting collar
- Tape cement cover to box
- Pour concrete
- After the concrete has set, remove the concrete cover
- Pull wires and install wiring device
- Make final pour adjustments, and grout around the box if required
- Install cover plates and/or accessories

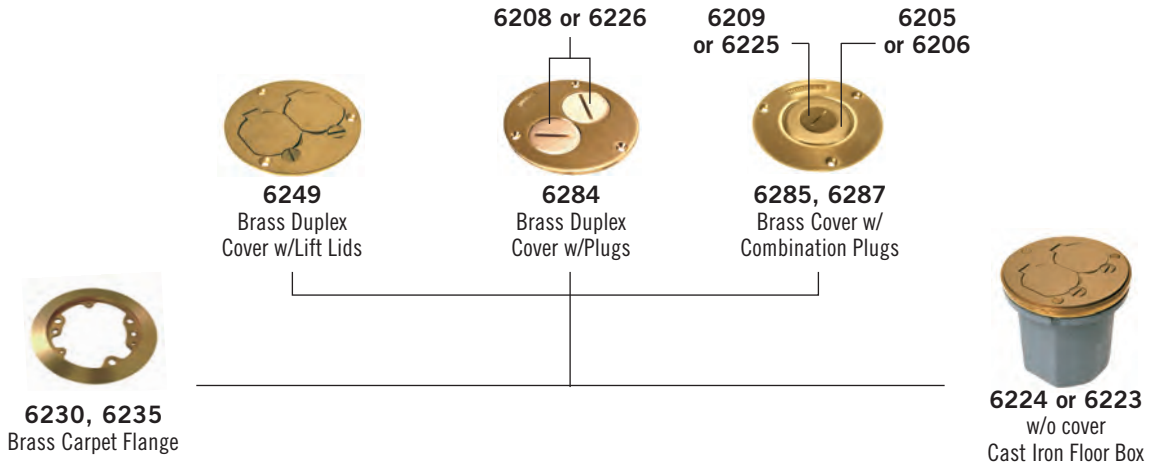


**RACO® FLOOR BOXES**

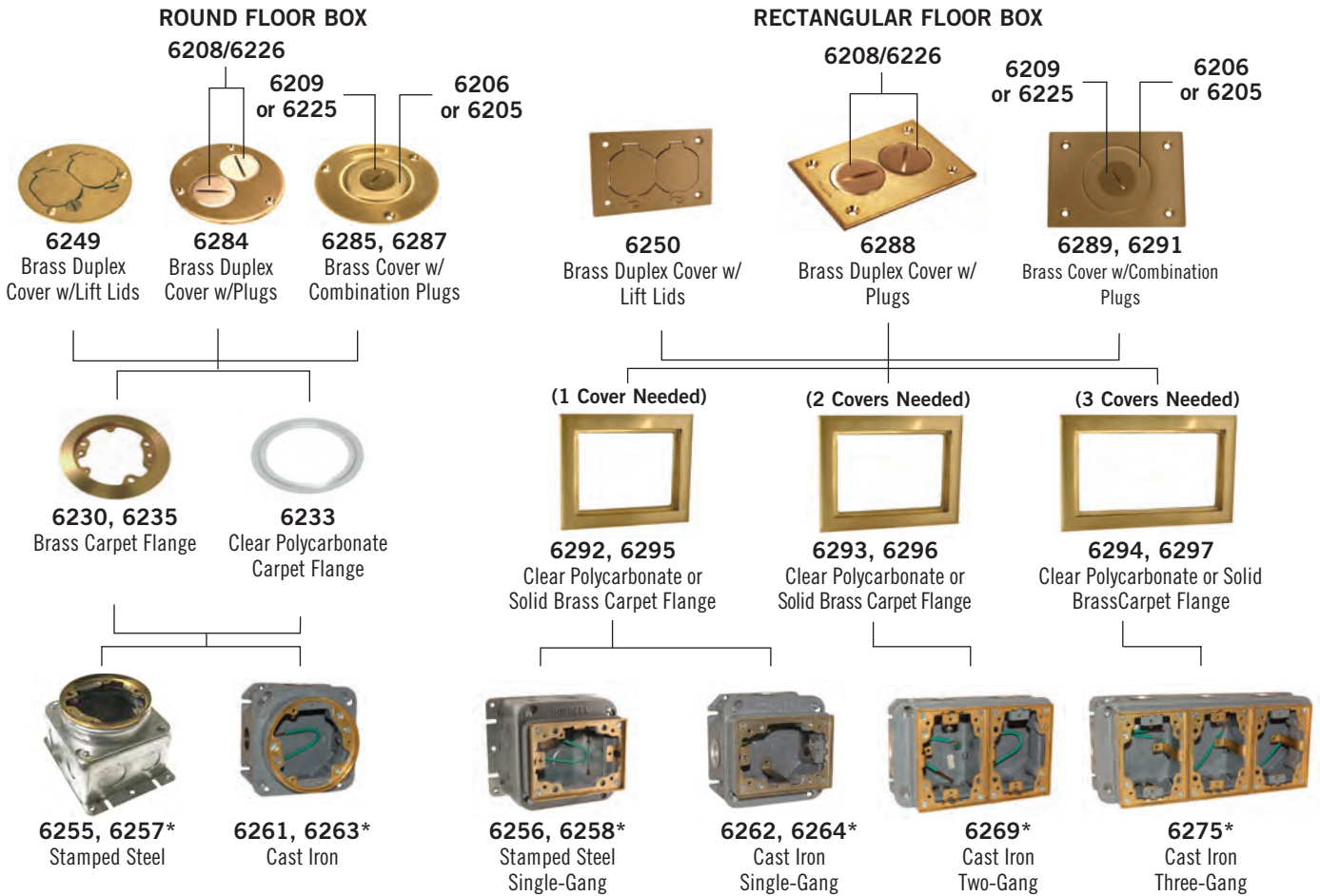
<p><b>SUMMARY OF THE MOST OFTEN REQUESTED SECTIONS OF THE 2014 NATIONAL ELECTRICAL CODE®</b></p>	<p><b>HOW RACO® PRODUCTS HELP COMPLETE THE INSTALLATION</b></p>
<p>210-52 (a) Dwelling Unit Receptacle Outlets - General Provisions. In every kitchen, family room, dining room, living room, parlor, library, den, sun room, bedroom, recreation room, or similar room or area of dwelling units, receptacle outlets shall be installed so that no point along the floor line in any wall space is more than 6 feet, measured horizontally, from an outlet in that space, including any wall space 2 feet or more in width and the wall space occupied by fixed panels in exterior walls, but excluding sliding panels in exterior walls. The space afforded by fixed room dividers, such as freestanding bar-type counters or railings, shall be included in the 6-foot measurement.</p>	<p>Every 6 feet along the wall surface there should be a receptacle outlet regardless of the room within the dwelling. The purpose of this Article is to eliminate extension cords that are used within the dwelling. Electrically overloaded extension cords are often a source of fires. Installation of a RACO floor box may help alleviate the need for extension cords by locating receptacles where no wall outlets are installed. Receptacle outlets in floors can be counted as part of the required number of receptacles if they are within 18 inches of the wall.</p>
<p>250-146 Connecting Receptacle Grounding Terminal to Box. An equipment bonding jumper shall be used to connect the grounding terminal of a grounding-type receptacle to a grounded box. Exception (c): Floor boxes designed for and listed as providing satisfactory ground continuity between the box and the device.</p>	<p>All RACO floor boxes are designed and listed for having ground continuity without an equipment bonding jumper. RACO does provide on all of its cast floor boxes a factory-installed ground wire.</p>
<p>314.27(B) Outlet Boxes —Floor Boxes. Boxes listed specifically for this application shall be used for receptacles located in the floor. Exception: Boxes located in elevated floors of show windows and similar locations where the authority having jurisdiction judges them to be free from physical damage, moisture, and dirt.</p>	<p>Only boxes that are UL Listed for the application may be fastened into the floor.</p>
<p>800.133 (A) (1) (d) Installation of Communications Wires, Cables, and Equipment — Electric Light or Power Circuits. Communications conductors shall not be placed in any raceway, compartment, outlet box, junction box, or similar fitting with conductors of electric light or power circuits or Class 1 circuits.</p>	<p>This section applies when power and voice/data are brought to one enclosure. A means of dividing the wiring is required. Voltage dividers are available for the following floor box types: PVC floor box and rectangular fully-adjustable.</p>



NON-ADJUSTABLE FLOOR BOX SYSTEM

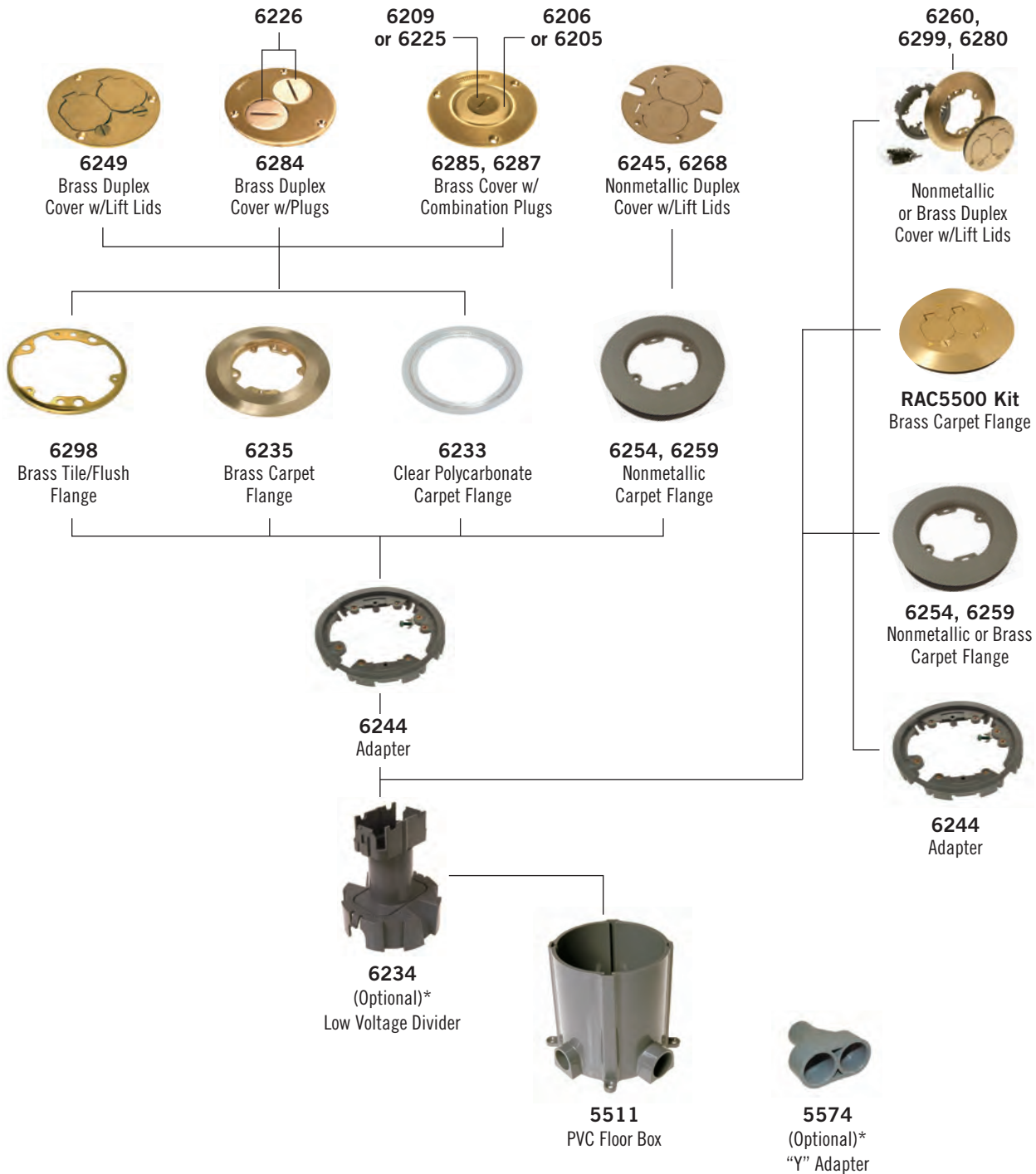


FULLY-ADJUSTABLE FLOOR BOX SYSTEM



\* Included brass tile ring must be removed and discarded before installation of brass carpet flanges. Polycarbonate flanges are installed between box and included brass ring.

PVC FLOOR BOX SYSTEM



\* Nonmetallic Box – Multi-Service Option: A voltage separation units allows the nonmetallic box to be used for telephone/data service as well as power. As shown, the unit has two pieces. The lower portion has openings on opposite sides for power wires and ramps on the other two sides for telephone/data wires. Power wires run inside tube and attach to duplex receptacle. Telephone/data wires run outside of tube and pass through grommet(s) in the cover.

Before installing lower part of voltage separation unit, cut off the same amount from the tube as you cut off the box. Complete the installation of the carpet flange, duplex receptacle and cover.

FOR CONCRETE POUR - NONMETALLIC



5511



6234



5574



6244

**APPLICATIONS**

- Used in branch circuit wiring
- Accommodate wiring devices for various receptacles
- Permit access to conductors for maintenance

**GENERAL FEATURES**

- RACO® Nonmetallic floor box has been engineered from the inside out with features that reduce installation time and offer increased capabilities from one box in power, voice and data
- Hubbell® nonmetallic floor boxes are economical to install and easy to level off
- A wide choice of cover materials and finishes are available
- 3" minimum pour depth

**LOW VOLTAGE DIVIDER FEATURES**

- Installs inside 5511 floor box for multi-service applications. Use separate conduit runs for power and voice/data cables
- Accepts Hubbell® standard duplex receptacles or 15A Twist-Lok® duplex receptacles (HBL 4700 series)
- Power capacity - 19.6 cubic inches plus 2.40 cubic inches per inch of tube

CAT. #	DESCRIPTION	STD. PKG.	UPC BAR CODE
<b>Round Floor Box and Accessories – Nonmetallic</b>			
5511	19.5 Cu. In. Capacity per Inch of Height, 2 - 1" and 3/4" openings. Temporary Cover and (4) Reducer/Closer Plugs Included	1	—
6234	Voltage Separation Unit, Optional	4	—
5574	3/4" Y Adapter, PVC	10	—
6244	Adapter Ring for all Nonmetallic and Brass Flanges	10	—

**ADAPTER RING FEATURES**

- High-strength rigid non-corrosive PVC construction
- Large capacity box: 100 cubic inches of volume (before cut)
- Molded T-slots permit the adapter ring to be secured to the box no matter where the box has been cut
- One-piece box with pre-molded conduit hubs
- RACO® Y-Adapter permits two parallel feeds of 3/4" conduit, or feed in/out of the same side

**COMPLIANCE**

- 514A

FLOOR BOX KITS, COVERS AND FLANGES

NONMETALLIC/ROUND



6260



6299



6233



6245, 6268



6254, 6259

CAT. #	DESCRIPTION	CARPET FLANGE O.S.DIA.	STD. PKG.	UPC BAR CODE
<b>Floor Box Cover Assembly Kits – Nonmetallic</b>				
6260	Adapter, Nonmetallic Ivory Carpet Flange, Ivory Duplex Cover - Kit	6-1/2"	10	
6299	Adapter, Nonmetallic Gray Carpet Flange, Gray Duplex Cover - Kit	6-1/2"	10	
<b>Replacement Covers and Carpet Flanges – Nonmetallic</b>				
6233	Clear Polycarbonate Carpet Flange	5-1/4"	15	
6245	Ivory Nonmetallic Duplex Cover with Lift Lids	—	10	—
6268	Gray Nonmetallic Duplex Cover with Lift Lids	—	10	—
6254	Ivory Nonmetallic Carpet Flange	6-1/4"	10	—
6259	Gray Nonmetallic Carpet Flange	6-1/4"	10	—

APPLICATIONS

- RACO® Nonmetallic floor box covers and flanges provide a quick, simple method of completing floor box installation on carpeted floor

PRODUCT FEATURES

- RACO® Nonmetallic carpet flanges and covers are available in gray or in ivory finish
- Covers are outfitted with duplex flaps that automatically close when not in use, preventing breakage and eliminating a potential trip hazard
- Cover design keeps debris out when receptacles are not in use
- Hubbell® RACO® carpet flanges and covers install quickly and easily with provided screws
- 3-service floor box cover with duplex flap, two 1/2" diameter low-voltage knockouts. Each low-voltage knockout can accommodate up to (1) 25 pair telephone cable or (1) 50 wire data communication cable NOTE: Brass cover is not 3-service

COMPLIANCE

-  514A



FLOOR BOX COVERS AND FLANGES



RAC5500KIT



6280



6249



6284



6285, 6287



6230, 6235



6298



6205, 6206

APPLICATIONS

- Floor box flanges and covers are used to complete floor box installations on either carpet or tile

PRODUCT FEATURES

- Brass floor box covers are designed to be used with round RACO® carpet and tile flanges and RACO round full adjustable stamped steel and cast iron floor boxes
- Flanges are designed to be installed to RACO adapter ring, catalog number 6244
- 6230 is not designed to work with RACO 5511 nonmetallic floor box
- 6230 and 6235 are not designed to be used with RACO 6220
- Hubbell® RACO® carpet flanges, tile flanges and covers install quickly and easily with provided screws
- Order of installation:
  1. Install RACO floor box
  2. Install nonmetallic adapter ring (if round 5511 nonmetallic box is used)
  3. Install device to box or 6244 adapter
  4. Install carpet or tile flange
  5. Install cover to carpet or tile flange

COMPLIANCES

- File E195978

CATALOG #	DESCRIPTION	CARPET FLANGE O.S. DIAMETER	STD. PKG.	BAR CODE
<b>Round, Solid Brass Floor Box Cover Kit</b>				
RAC5500KIT	Round, Brass Cover Kit	6-1/14"	10	
6280	Brass Carpet Flange, Adapter and Duplex Cover Kit	6-1/2"	10	

CAT. #	DESCRIPTION	STD. PKG.	BAR CODE
<b>3-7/8" Dia., Round Covers – Brass</b>			
6249	Brass Duplex Cover with Lift Lids	40	
6284	Brass Duplex Cover with 2, 1-1/2" Threaded Plugs	40	
6285	Brass Cover with 2-1/8" x 1" Combination Plugs	40	
6287	Brass Cover with 2-1/8" x 3/4" Combination Plugs	40	

CAT. #	DESCRIPTION	CARPET FLANGE O.S. DIAMETER	STD. PKG.	BAR CODE
<b>Carpet Flanges</b>				
6230	Brass Carpet Flange, Mop-tight	5-1/4"	10	
6235	Brass Carpet Flange*	6-1/4"	10	

\*6235 not UL Listed

CAT. #	DESCRIPTION	TILE FLANGE O.S. DIAMETER	STD. PKG.	BAR CODE
<b>Tile Flange</b>				
6298	Brass Tile/Flush Application Flange	4-3/16"	15	

CAT. #	DESCRIPTION	RING O.S. DIAMETER	STD. PKG.	BAR CODE
<b>Flush Cap Rings</b>				
6205	Brass, for 1" Plug	2-1/8"	30	
6206	Brass, for 3/4" Plug	2-1/8"	30	

FOR WOOD SUB FLOORS

FLOOR BOXES FOR WOOD FLOORS



6224



6223

CAT. #	THREADED / HUBS		CUBIC INCHES	STD. PKG.	UPC BAR CODE
	SIDE	BOTTOM			
<b>Duplex Receptacle Assembly</b>					
6224	—	2-1/2"	18.5 (303.1 cm <sup>3</sup> )	4	
<b>Floor Box</b>					
6223	—	2-1/2"	18.5 (303.1 cm <sup>3</sup> )	4	

**APPLICATIONS**

- RACO® wood floor boxes provide flush service for power or voice/data
- Non-adjustable floor boxes may be used in wood or concrete floors and are suitable for carpet, tile or wood floor applications

**PRODUCT FEATURES**

- Boxes are non-adjustable
- Cast iron, water-tight
- Gray powder coat paint inside and out for additional corrosion resistance
- 1/2" and 3/4" threaded conduit openings are standard; all bottom openings are accessible
- If floor covering is used, discard included brass flush ring and replace with RACO® 6230 or 6235 brass carpet flange
- RACO® 6224 includes box, 6249 brass duplex cover with lift lids, and brass tile flange. Receptacle is not included
- RACO® 6223 - for use with any RACO 3-7/8" diameter brass cover (6249, 6284, 6285, 6287). Cover must be ordered separately, brass tile flange included

**COMPLIANCE**

-  File E195978



**FLOOR BOX ASSEMBLIES**



**APPLICATIONS**

- Floor box kits are used to complete floor box installations on either carpet, tile, or wood floors

**PRODUCT FEATURES: 6236 AND 5236**

- back wiring - clamp type terminals accepts up to #10 wire
- 15A, 125V tamper resistant receptacle
- Brass finish cover plate is .058" thick, and 2-3/4" wide x 4-1/2" long
- 6236 includes 3-1/2" deep box

**PRODUCT FEATURES: 6500BR ANS 6500NI**

- Contains low profile, 15A 125V tamper resistant receptacle
- Adjustable up to 3/4"

**PRODUCT FEATURES: 6239BP, 6239NI, 6239SS AND 6239BK**

- Can be used for power/data
- 15A, 125V tamper resistant receptacle
- Removable neoprene gaskets allow for independent use of either side of the receptacle with cover closed
- Recessed receptacle minimizes plug protrusion
- Height accessible adjustments after box is mounted

**PRODUCT FEATURES: 6RF1515R**

- Has solid brass cover and flange
- 15A, 125V tamper resistant receptacle
- Self leveling, easy screw fastening

**COMPLIANCES**

- File E195978
- 
- (6500BR & 6500NI only)

CAT. #	KNOCKOUTS			CUBIC INCHES	STD. PKG.	BAR CODE
	SIDE CONDUIT	SIDE CONDUIT	BOTTOM			
<b>Receptacle-Display Type – For Use in Dry Locations, Brass Finish Cover Plate and Threaded Plug</b>						
5236	—	—	—	—	6	
<b>Floor Box, Plate Assembly/Gasket, Brass Finish Cover Plate &amp; Threaded Plug – Floor Box for Nonmetallic</b>						
6236	2 - 1/2"	4 - 1/2"	1 - 1/2"	18.0 (295 cm³)	4	
<b>Rectangular, Metallic Floor Box Kit – Brass Finish or Nickel Finish Cover Plate</b>						
6500BR	2 - 1/2"	4 - 1/2"	—	18.5 (303.1 cm³)	10	
6500NI	2 - 1/2"	4 - 1/2"	—	18.5 (303.1 cm³)	10	

CAT. #	DESCRIPTION	CU. IN.	STD. PKG.	BAR CODE
<b>Round, Recessed Floor Boxes – Brass, Nickel, Stainless or Black Finish</b>				
6239BP	Round, Brass Finish	28.0 (458.9 cm³)	10	
6239NI	Round, Nickel Finish	28.0 (458.9 cm³)	10	
6239SS	Round, Stainless Steel Finish	28.0 (458.9 cm³)	10	
6239BK	Round, Black Finish	28.0 (458.9 cm³)	10	
<b>Round, Drop-In Floor Box – Nonmetallic with Brass Flange and Cover, for Power or Data</b>				
6RF1515R	Round, Drop-in, Brass	16.0 (262.1 cm³)	10	

CAT. #	DESCRIPTION	STD. PKG.	BAR CODE
<b>Replacement Plug for Floor Box Assemblies</b>			
RP6236BP	Replacement Plug for 5236/6236	50	
RP6500BR	Replacement Plug for 6500BR	50	
RP6500NI	Replacement Plug for 6500NI	50	

FOR CONCRETE POUR

ROUND FLOOR BOXES



6255, 6257



6261, 6263

CAT. #	KNOCKOUTS / HUBS		MIN. DEPTH OF POUR	BEFORE POUR EXT. HT. ADJUST.	AFTER POUR INT. FINAL ADJUST.	CUBIC INCHES	STD. PKG.	UPC BAR CODE
	SIDE	BOTTOM						
<b>Fully-Adjustable Floor Box – Stamped Steel</b>								
6255	2 - 1/2", 2 - 3/4" 2 - 1", 2 - 1-1/4"	3 - 1/2", 2 - 3/4"	4"	1-1/4"	3/8"	54.0 (884.8 cm <sup>3</sup> )	4	
6257	6 - 1/2", 4 - 3/4"	3 - 1/2"	3"	1-1/4"	3/8"	37.3 (611.2 cm <sup>3</sup> )	4	
<b>Fully-Adjustable Floor Box – Cast Iron</b>								
6261	4 - 3/4"	—	3-3/4"	1-1/4"	3/8"	33.0 (540.7 cm <sup>3</sup> )	4	
6263	4 - 3/4"	—	3"	1-1/4"	3/8"	30.0 (491.5 cm <sup>3</sup> )	4	

**APPLICATIONS**

- Round floor boxes provide flush service for power or voice/data
- Floor boxes may be used for carpet or tile floor applications

**CAST IRON FLOOR BOX PRODUCT FEATURES**

- Cast iron, water-tight body, fully adjustable
- Gray powder coat paint inside and out for additional corrosion resistance
- 3/4" threaded conduit openings are standard

**STAMPED STEEL FLOOR BOXES PRODUCT FEATURES**

- Stamped steel, concrete-tight, fully adjustable
- Zinc coated finish
- 1/2", 3/4", 1" and 1-1/4" knockouts; all bottom knockouts are accessible

**GENERAL PRODUCT FEATURES**

- Brass tile flange provided with box
- RACO® 6236 or 6235 carpet flange must be ordered separately (included brass tile ring must be discarded before installing carpet flange)
- RACO® 6249, 6284, 6285, 6287 brass cover must be ordered separately
- Interior and exterior leveling screws permit adjustment to meet finished floor
- Disposable concrete cap to prevent the entry of concrete during pour included

**COMPLIANCES**

-  File E195978

**FOR CONCRETE POUR**



**RECTANGULAR FLOOR BOXES**



**6256, 6258**



**6262, 6264**

**APPLICATIONS**

- RACO® rectangular series floor boxes are ideally suited for heavy floor traffic applications, such as malls, department stores, banks and schools
- Floor boxes are installed in poured concrete floors and are fed with conduit
- RACO® floor boxes are used in branch circuit wiring

**CAST IRON FLOOR BOX  
PRODUCT FEATURES**

- Cast iron, water-tight body, fully adjustable
- Gray powder coat paint inside and out for additional corrosion resistance
- 3/4" threaded conduit openings are standard

**STAMPED STEEL FLOOR BOXES  
PRODUCT FEATURES**

- Stamped steel, concrete-tight, fully adjustable
- Zinc coated finish

**GENERAL PRODUCT FEATURES**

- Brass tile flange provided with box
- RACO® 6292 or 6295 carpet flange must be ordered separately
- RACO® 6250, 6288, 6289 or 6291 brass cover must be ordered separately
- Interior and exterior leveling screws permit adjustment to meet finished floor
- Disposable concrete cap to prevent the entry of concrete during pour included

**COMPLIANCES**

- File E195978

CAT. #	KNOCKOUTS		MIN. DEPTH OF POUR	BEFORE POUR EXT. HT. ADJUST.	AFTER POUR INT. FINAL ADJUST.	CUBIC INCHES	STD. PKG.	UPC BAR CODE
	SIDE	BOTTOM						
<b>Single-Gang Fully-Adjustable Floor Box – Stamped Steel</b>								
<b>6256</b>	2 - 1/2", 2 - 3/4" 2 - 1", 2 - 1-1/4"	3 - 1/2", 2 - 3/4"	4"	1-1/4"	3/8"	54.0 (884.8 cm <sup>3</sup> )	4	
<b>6258</b>	6 - 1/2", 4 - 3/4"	3 - 1/2", 2 - 3/4"	3"	1-1/4"	3/8"	37.3 (611.2 cm <sup>3</sup> )	4	
<b>Single-Gang Fully-Adjustable Floor Box – Cast Iron</b>								
<b>6262</b>	4 - 3/4"	—	3-3/4"	1-1/4"	3/8"	33.0 (540.7 cm <sup>3</sup> )	4	
<b>6264</b>	4 - 3/4"	—	3"	1-1/4"	3/8"	30.0 (491.5 cm <sup>3</sup> )	4	

FOR CONCRETE POUR

RECTANGULAR FLOOR BOXES



6269



6275

CAT. #	THREADED / HUBS		MIN. DEPTH OF POUR	BEFORE POUR EXT. HT. ADJUST.	AFTER POUR INT. FINAL ADJUST.	CUBIC INCHES (CM <sup>3</sup> )	STD. PKG.	UPC BAR CODE
	SIDE	BOTTOM						
<b>Two-Gang Fully-Adjustable Floor Box – Cast Iron</b>								
6269	6 - 3/4"	—	3-3/4"	1-1/4"	5/8"	36.5 ea. Gang (598.0 cm <sup>3</sup> )	1	—
<b>Three-Gang Fully-Adjustable Floor Box – Cast Iron</b>								
6275	8 - 3/4"	—	3-3/4"	1-1/4"	5/8"	34.8 Mid Gang (570.2 cm <sup>3</sup> ) 36.5 End Gang (598.1 cm <sup>3</sup> )	1	—

APPLICATIONS

- RACO® rectangular series floor boxes are ideally suited for heavy floor traffic applications, such as malls, department stores, banks and schools
- Floor boxes are installed in poured concrete floors and are fed with conduit
- RACO® multiple-gang rectangular floor box series may be used for both single-service and three-service (power and voice/data) applications
- RACO® floor boxes are used in branch circuit wiring

CAST IRON FLOOR BOX PRODUCT FEATURES

- Cast iron, water-tight body, fully adjustable
- Gray powder coat paint inside and out for additional corrosion resistance
- Interior and exterior leveling screws permit adjustment to meet finished floor
- Removable partitions included to meet larger capacity requirements on two and three gang boxes
- Disposable concrete cap to prevent the entry of concrete during the pour included
- 3/4" threaded conduit openings are standard
- RACO® 6250, 6288, 6289 or 6291 brass cover must be ordered separately

COMPLIANCES

-  File E195978



FLOOR BOX COVERS AND FLANGES



6250



6288



6289, 6291



6292, 6295



6293, 6296



6294, 6297

APPLICATIONS

- RACO® rectangular floor box brass covers and flanges are used to complete floor box installations

PRODUCT FEATURES

- Rectangular brass covers are used with RACO single-gang, two-gang, and three-gang rectangular floor boxes
- Covers are 3" wide x 4-5/32" long
- Cover screw centers are 3-5/32" x 2-1/8"
- Rectangular carpet flanges are available in brass or clear polycarbonate

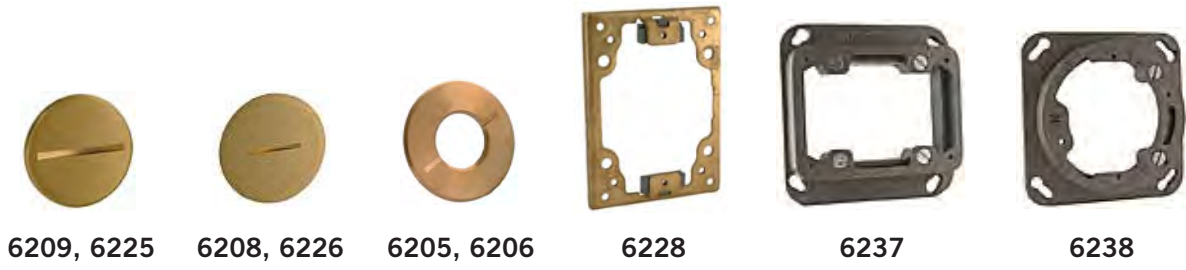
COMPLIANCES

- File E195978

CAT. #	DESCRIPTION	STD. PKG.	UPC BAR CODE
<b>Rectangular Floor Box Covers – Brass</b>			
6250	Brass Duplex Cover with Lift Lids	40	
6288	Brass Duplex Cover with 2, 1-1/2" Threaded Plugs	40	
6289	Brass Cover with 2-1/8" x 1" Combination Plugs	40	
6291	Brass Cover with 2-1/8" x 3/4" Combination Plugs	40	

CAT. #	DESCRIPTION	STD. PKG.	UPC BAR CODE
<b>Rectangular Carpet Flanges – Polycarbonate and Brass</b>			
6292	Single-Gang, Brass	20	
6295	Single-Gang, Clear Polycarbonate	10	
6293	Two-Gang, Brass	10	—
6296	Two-Gang, Clear Polycarbonate	10	—
6294	Three-Gang, Brass	10	
6297	Three-Gang, Clear Polycarbonate	15	—

ACCESSORIES AND REPLACEMENT COVERS



CAT. #	DESCRIPTION	THREAD TYPE	FITS RACO® BRASS COVER	STD. PKG.	UPC BAR CODE
<b>Abandon Plugs – Brass</b>					
6209	3/4" Crowned, Slotted Plug	—	6287, 6291	30	
6225	1" Crowned, Slotted Plug	—	6285, 6289	20	
6226	1-1/2" Flush Slotted Plug	Fine	6284, 6288	25	
6208	2-1/8" Flush Slotted Plug	Fine	6284, 6288	30	
6206	2-1/8" Flush Cap Ring for 3/4" Plug	—	6287, 6291	30	
6205	2-1/8" Flush Cap Ring for 1" Plug	—	6285, 6289	30	

**APPLICATIONS**

- Brass abandon plugs are sold separately for replacement in brass covers
- Split nozzle for 2-1/8" threaded cover consists of interlocking halves that provide a protective housing when assembled. The nozzle may be easily installed without removing an electrical plug from cord. Nozzle is brass colored plastic

CAT. #	DESCRIPTION	STD. PKG.	UPC BAR CODE
<b>Replacement Cover Flange and Adjustable Collars</b>			
6228	Rectangular Cover Flange	15	—
6237	Rectangular Single-Gang Replacement Adjustable Collar	10	—
6238	Round Replacement Adjustable Collar	4	—



SERVICE PEDESTALS AND ACCESSORIES



6300, 6301



6310



6311



6312



6313



6314



6315

SERVICE PEDESTALS APPLICATIONS

- RACO® above-the-floor pedestals satisfy most service requirements
- These are the traditional metallic pedestals, offered as component parts to satisfy any combination of power or voice/data requirements

PRODUCT FEATURES

- Service pedestal housing die cast aluminum frame, aluminum housing
- Stainless steel face plates

PEDESTAL CAPACITY CHART

- (Power or voice/data devices) In certain cases, the pedestal will accommodate two receptacles. In other cases, a device may be too deep, and the maximum capacity is one receptacle

CAT. #	DESCRIPTION	STD. PKG.	UPC BAR CODE
<b>Low-Profile Service Pedestal Housing – Single Service for Power or Voice/Data</b>			
6300	Frame Housing, 3/4" Chase Nipple, w/o Plates	4	
6301	Frame Housing, 1" Chase Nipple, w/o Plates	4	

CAT. #	DESCRIPTION	STD. PKG.	UPC BAR CODE
<b>Face Plates</b>			
6310	Rectangular Cover Flange	25	
6311	Telephone Bushing with 1.00" ID and (2) 3/8" KO for Coaxial	25	
6312	Single Receptacle Plate with 1.39" Opening	25	
6313	Duplex Receptacle Plate	25	
6314	Decorator Style Receptacle Plate	25	
6315	Aluminum Plate with 1.11" KO	25	

MAX. # OF RECEPT.	DESCRIPTION	PLATE(S) QTY.	REQUIRED RACO® CAT. #
<b>Voice/Data Combinations</b>			
1	Duplex Jack Outlet	1	6313, 6310
1	Decorator Style of Telephone Outlet	1	6314, 6310
2	Decorator Style of Coaxial Outlet	2	6314
0	Bushed Opening	1	6311, 6310
<b>Power Combinations</b>			
2	Duplex Receptacles	2	6313
1	GFCI Receptacles	1	6314, 6310
1	Surge Duplex Receptacles	1	6314, 6310
2	Decorator Receptacles	2	6314
2	Single Receptacles	2	6312

FLOOR BOXES

Cast Iron Floor Boxes - Non Adjustable

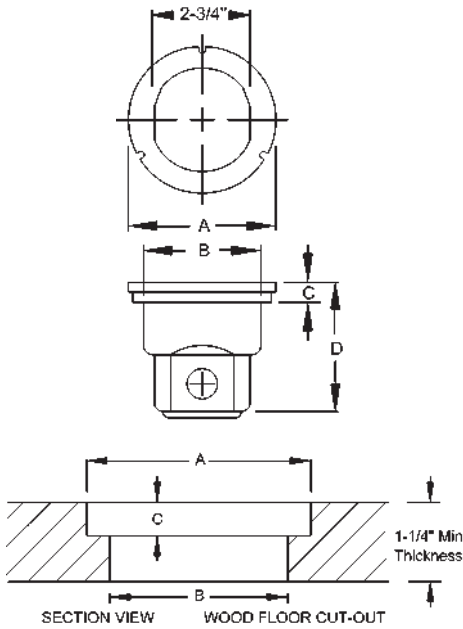
CATALOG NUMBER	A	B	C	D
6223	4.19"	3.39"	0.59"	3.75"
6224	4.19"	3.39"	0.59"	3.75"

Cast Iron Floor Boxes - Non Adjustable - Floor Cut-out Dimensions

CATALOG NUMBER	A	B	C*
6224	4-3/16"	3-7/16"	5/8"

\* If floor covering is used, vary counter bore depth accordingly.

NOTE: Minimum floor thickness is 1-1/4". You may need to add support under the floor around the floor box opening.

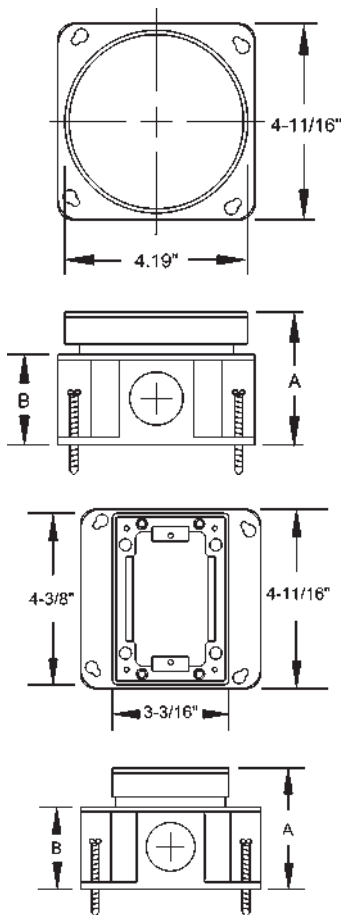


Round Floor Boxes - Adjustable

CATALOG NUMBER	A (MIN.)	A (MAX.)	B
6263	2.86"	3.19"	1.69"
6257	2.91"	3.29"	1.69"
6251	3.09"	3.47"	1.94"
6255	3.88"	4.26"	2.71"

Single Gang Floor Boxes - Adjustable

CATALOG NUMBER	A (MIN.)	A (MAX.)	B
6264	2.88"	3.26"	1.81"
6258	2.81"	3.19"	1.81"
6262	3.19"	3.57"	2.06"
6256	3.90"	4.28"	2.83"

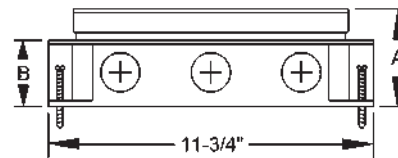
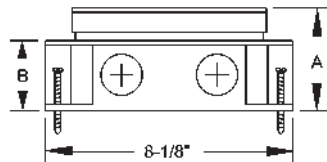
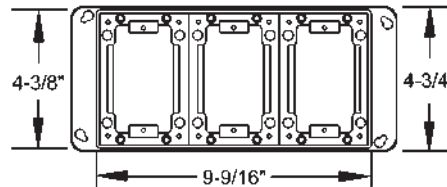
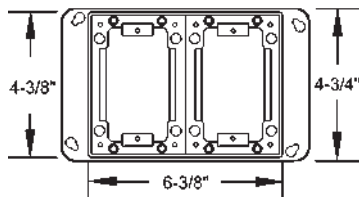




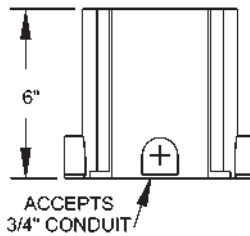
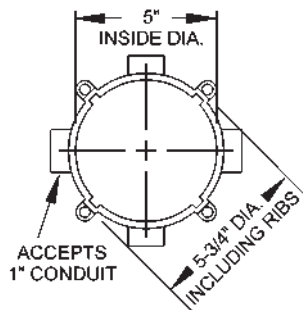
FLOOR BOXES

Multi-gang Floor Boxes - Adjustable

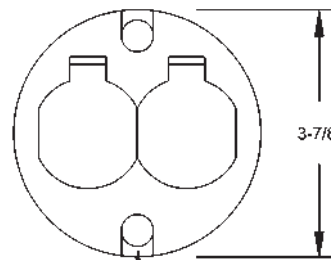
CATALOG NUMBER	A (MIN.)	A (MAX.)	B
6269	3.44"	4.07"	2.10"
6275	3.44"	4.07"	2.10"



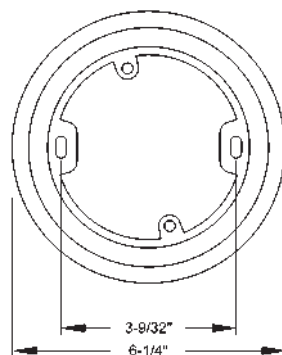
NONMETALLIC FLOOR BOX



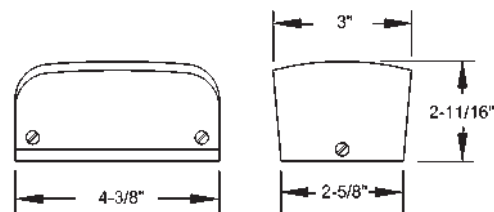
REPLACEMENT COVERS



REPLACEMENT CARPET FLANGES



SERVICE PEDESTAL



# RACO COMMERCIAL FITTINGS



### STANDARDS, 2014 NATIONAL ELECTRICAL CODE®

#### GENERAL INFORMATION

When you need to couple, connect, fasten, or ground conduit or cables, RACO® fittings are your best answer.

Choose from specification grade malleable iron, steel, lightweight aluminum, or die cast zinc materials. Many are UL Listed as raintight, concrete-tight, or liquidtight.

#### PRODUCT FEATURES: RACO® FITTINGS

- RACO® fittings are designed to save time on the job
- Locknuts won't slip or spin
- Premium set screws provide reliable continuity of ground
- Insulated throats protect insulation during wire pulling

Fittings should be installed by licensed electricians in compliance with national and local electrical codes.

#### STANDARDS

Where applicable, RACO® products are engineered in accordance with the standards established by Underwriters' Laboratories (UL).

Most products are listed by UL and also certified by the Canadian Standards Association (CSA). Dimensional data listed in this catalog is intended for general reference with broad tolerance limits.

RACO® fittings generally conform to Federal Specifications and Standards A-A-50552, A-A-50553A, A-A-50563A, NEMA FB1, U.L. 467, U.L. 514B, and CSA Standard C22.2 no.18.3. Note: ANSI Standard C80-4 has been cancelled and replaced by NEMA FB1.

Underwriters' Laboratories, Inc. file numbers: E195969 rigid, IMC and liquidtight fittings; E195970 EMT fittings; E195971 non-metallic sheathed cable fittings; E195972 service entrance cable fittings; E195966 armored and flexible metal cable fittings; E195973 outlet bushings and fittings; E195975 grounding and bonding equipment.

For Underwriters' Laboratories, Inc. and Canadian Standards Association listing marks, see RACO® product and carton labels.



The National Electrical Manufacturers Association (NEMA) website is a valuable electrical resource providing the information you need - quickly. Standards and technical information, installation guides, industry news and economic trends, events/meetings, the latest electroindustry, and legislative and regulatory information for more than fifty-one product areas ranging from arc welding to x-ray machines can be found with just a few clicks of your mouse.



SET SCREW CONNECTORS - STEEL



Insulated Connectors



Uninsulated Connectors

INSULATED CATALOG NUMBER	UNINSULATED CATALOG NUMBER	TRADE SIZE	UNIT CARTON QTY.	SHIP CARTON QTY.	UPC BAR CODE
<b>Set Screw Connectors – Steel</b>					
2122	2002	1/2"	50	500	—
2122-8	2002-8	1/2"	1	25	
2123	2003	3/4"	25	250	—
2123-8	2003-8	3/4"	1	20	
2124	2004	1"	25	100	—
2124-8	2004-8	1"	1	10	
2125	2005	1-1/4"	—	20	—
2126	2006	1-1/2"	—	20	—
2128	2008	2"	—	20	—
2160	2140	2-1/2"	—	5	—
2162RAC	2142	3"	—	1	—
2164	2144	3-1/2"	—	1	—
2166	2146	4"	—	1	—
<b>U.S. MADE Set Screw Connectors – Steel</b>					
2122US	2002US	1/2"	50	250	—
2123US	2003US	3/4"	25	125	—
2124US	2004US	1"	20	100	—
2125US	2005US	1-1/4"	5	25	—
2126US	2006US	1-1/2"	5	25	—
2128US	2008US	2"	—	5	—
2160US	2140US	2-1/2"	—	5	—
2162US	2142US	3"	—	1	—
2164US	2144US	3-1/2"	—	1	—
2166US	2146US	4"	—	1	—

APPLICATIONS

- For use in dry locations to bond EMT conduit to a box or enclosure
- RACO® Steel set screw connectors provide concrete-tight connections when taped
- RACO® Set screw connectors are suitable for applications above 600V

PRODUCT FEATURES

- All steel construction insures mechanical protection for the raceway
- Tri-head screws (1/2" to 2" trade sizes) may be installed using a slotted, Phillips, or Robertson head screwdriver
- 2-1/2" to 4" trade sizes are also UL listed for use on Rigid/IMC conduit, allowing for design and installation flexibility
- All components are zinc electroplated for corrosion protection
- 1/2" to 1" trade sizes have one set screw, 1-1/4" to 4" trade sizes have two set screws
- UPC bar coded fittings are individually polybagged with a preprinted UPC-A bar code and packaged in pre-scored tear top cartons for an attractive presentation

COMPLIANCES

1/2" - 2"

- cUL<sub>us</sub> - Standard 514B  
C22.2 # 18

2-1/2" - 4"

- UL - Standard 514B  
U L LISTED E195969, E195970



SET SCREW COUPLINGS - STEEL



Couplings

**APPLICATIONS**

- For use in dry locations to couple two ends of EMT conduit
- RACO® Steel set screw couplings provide concrete-tight connections when taped
- RACO® Set screw couplings are suitable for applications above 600V

**PRODUCT FEATURES**

- All steel construction insures mechanical protection for the raceway
- Tri-head screws (1/2" to 2" trade sizes) may be installed using a slotted, Phillips, or Robertson head screwdriver
- 2-1/2" to 4" trade sizes are also UL listed for use on Rigid/IMC conduit, allowing for design and installation flexibility
- All components are zinc electroplated for corrosion protection
- UPC bar coded fittings are individually polybagged with a preprinted UPC-A bar code and packaged in pre-scored tear top cartons for an attractive presentation

**COMPLIANCES**

**1/2" - 2"**

- - Standard 514B  
C22.2 # 18

**2-1/2" - 4"**

- - Standard 514B  
U L LISTED E195969, E195970

CATALOG NUMBER	TRADE SIZE	UNIT CARTON QTY.	SHIP CARTON QTY.	UPC BAR CODE
<b>Set Screw Couplings – Steel</b>				
2022	1/2"	50	500	—
2022-8	1/2"	1	25	
2023	3/4"	25	250	—
2023-8	3/4"	1	20	
2024	1"	25	100	—
2024-8	1"	1	10	
2025	1-1/4"	5	25	—
2026	1-1/2"	—	20	—
2028	2"	—	20	—
2150	2-1/2"	—	5	—
2152	3"	—	1	—
2154	3-1/2"	—	1	—
2156	4"	—	1	—
<b>U.S. MADE Set Screw Couplings – Steel</b>				
2022US	1/2"	50	250	—
2023US	3/4"	25	125	—
2024US	1"	10	50	—
2025US	1-1/4"	—	5	—
2026US	1-1/2"	—	5	—
2028US	2"	—	5	—
2150US	2-1/2"	—	5	—
2152US	3"	—	1	—
2154US	3-1/2"	—	1	—
2156US	4"	—	1	—



COMPRESSION CONNECTORS - STEEL



Insulated Throat Connectors



Uninsulated Throat Connectors

INSULATED CATALOG NUMBER	UNINSULATED CATALOG NUMBER	TRADE SIZE	UNIT CARTON QTY.	SHIP CARTON QTY.	UPC BAR CODE
<b>Compression Connectors – Steel</b>					
2912	2902	1/2"	50	500	—
2912-8	2902-8	1/2"	1	25	
2913	2903	3/4"	25	250	—
2913-8	2903-8	3/4"	1	20	
2914	2904	1"	25	100	—
2914-8	2904-8	1"	1	10	
2915	2905	1-1/4"	5	25	—
2916	2906	1-1/2"	—	20	—
2918	2908	2"	—	20	—
2960	2940	2-1/2"	—	5	—
2962	2942	3"	—	1	—
2964	2944	3-1/2"	—	1	—
2966	2946	4"	—	1	—
<b>U.S. MADE Compression Connectors – Steel</b>					
2912US	2902US	1/2"	50	250	—
2913US	2903US	3/4"	25	125	—
2914US	2904US	1"	20	100	—
2915US	2905US	1-1/4"	5	25	—
2916US	2906US	1-1/2"	5	25	—
2918US	2908US	2"	—	5	—
2960US	2940US	2-1/2"	—	5	—
2962US	2942US	3"	—	1	—
2964US	2944US	3-1/2"	—	1	—
2966US	2946US	4"	—	1	—

APPLICATIONS

- For use to bond EMT conduit to a box or enclosure
- RACO® 1/2" to 4" connectors provide concrete-tight connections
- RACO® Compression connectors are suitable for applications above 600V

PRODUCT FEATURES

- All steel construction insures mechanical protection for the raceway
- All components are zinc electroplated for corrosion protection
- UPC bar coded fittings are individually polybagged with a preprinted UPC-A bar code and packaged in pre-scored tear top cartons for an attractive presentation

COMPLIANCE

- c(UL)us - Standard 514B  
C 22.2 # 1  
U L LISTED E195970



COMPRESSION COUPLINGS - STEEL



Couplings

**APPLICATIONS**

- For use in dry locations to couple two ends of EMT conduit
- RACO® Steel compression couplings provide concrete-tight connections
- RACO® compression couplings are suitable for applications above 600V

**PRODUCT FEATURES**

- All steel construction insures mechanical protection for the raceway
- All components are zinc electroplated for corrosion protection
- UPC bar coded fittings are individually polybagged with a preprinted UPC-A bar code and packaged in pre-scored tear top cartons for an attractive presentation

**COMPLIANCE**

- cUL<sub>us</sub> - Standard 514B  
C 22.2 # 18  
U L LISTED E195970

CATALOG NUMBER	TRADE SIZE	UNIT CARTON QTY.	SHIP CARTON QTY.	UPC BAR CODE
<b>Compression Couplings – Steel</b>				
2922	1/2"	50	500	—
2922-8	1/2"	1	25	
2923	3/4"	25	250	—
2923-8	3/4"	1	15	
2924	1"	25	100	—
2924-8	1"	1	10	
2925	1-1/4"	5	25	—
2926	1-1/2"	—	20	—
2928	2"	—	20	—
2950	2-1/2"	—	5	—
2952	3"	—	1	—
2954	3-1/2"	—	1	—
2956	4"	—	1	—
<b>U.S. MADE Compression Couplings – Steel</b>				
2922US	1/2"	50	250	—
2923US	3/4"	25	125	—
2924US	1"	20	100	—
2925US	1-1/4"	5	25	—
2926US	1-1/2"	5	25	—
2928US	2"	—	5	—
2950US	2-1/2"	—	5	—
2952US	3"	—	1	—
2954US	3-1/2"	—	1	—
2956US	4"	—	1	—



RAINTIGHT COMPRESSION CONNECTORS - STEEL



Insulated Connectors



Uninsulated Connectors

INSULATED CATALOG NUMBER	UNINSULATED CATALOG NUMBER	TRADE SIZE	UNIT CARTON QTY.	SHIP CARTON QTY.	UPC BAR CODE
<b>Compression Connectors, Raintight – Steel</b>					
2912RT	2902RT	1/2"	50	250	—
2913RT	2903RT	3/4"	25	125	—
2914RT	2904RT	1"	15	75	—
2915RT	2905RT	1-1/4"	—	20	—
2916RT	2906RT	1-1/2"	—	10	—
2918RT	2908RT	2"	—	10	—
2960RT	2940RT	2-1/2"	—	1	—
2962RT	2942RT	3"	—	1	—
2964RT	2944RT	3-1/2"	—	1	—
2966RT	2946RT	4"	—	1	—


**APPLICATIONS**

- For use in wet locations to bond and secure EMT conduit to a box or enclosure
- RACO® Raintight Steel EMT Compression Fittings have been designed to comply with the new U.L. Raintight test requirements and to comply with the requirements of the 2008 NEC 358.42 and 314.15

**PRODUCT FEATURES**

- All steel construction insures mechanical protection for the raceway
- Fittings are available in 1/2" to 4" trade sizes
- Zinc electroplate finish
- All fittings are marked "Wet Locations" to allow inspecting authorities to immediately determine that the installation is up to code
- All connectors are supplied with a factory installed knockout seal. No need to add the expense of buying a gasket separately
- No need to disassemble the fitting prior to installation. RACO Raintight Steel EMT Compression Fittings are designed so that when they come out of the carton they can be installed directly on the conduit. No need to waste time loosening compression nuts
- No need for special tools to install properly. Install these fittings like any other Steel EMT Compression Fitting. No need for a torque wrench to insure proper installation

**COMPLIANCE**

-  - Standard 514B  
C 22.2 # 18  
U L LISTED E195970





RAINTIGHT COMPRESSION COUPLINGS - STEEL



Couplings

**APPLICATIONS**

- For use in wet locations to couple two ends of EMT conduit
- RACO® Raintight Steel EMT Compression Fittings have been designed to comply with the new U.L. Raintight test requirements and to comply with the requirements of the 2008 NEC 358.42 and 314.15

**PRODUCT FEATURES**

- All steel construction insures mechanical protection for the raceway
- Fittings are available in 1/2" to 4" trade sizes
- Zinc electroplate finish
- All fittings are marked "Wet Locations" to allow inspecting authorities to immediately determine that the installation is up to code
- No need to disassemble the fitting prior to installation. RACO Raintight Steel EMT Compression Fittings are designed so that when they come out of the carton they can be installed directly on the conduit. No need to waste time loosening compression nuts
- No need for special tools to install properly. Install these fittings like any other Steel EMT Compression Fitting. No need for a torque wrench to insure proper installation

**COMPLIANCE**

- - Standard 514B  
C 22.2 # 18  
U L LISTED E195970

CATALOG NUMBER	TRADE SIZE	UNIT CARTON QTY.	SHIP CARTON QTY.	UPC BAR CODE
<b>Compression Couplings – Steel</b>				
2922RT	1/2"	50	250	—
2923RT	3/4"	25	125	—
2924RT	1"	15	75	—
2925RT	1-1/4"	—	20	—
2926RT	1-1/2"	—	10	—
2928RT	2"	—	10	—
2950RT	2-1/2"	—	1	—
2952RT	3"	—	1	—
2954RT	3-1/2"	—	1	—
2956RT	4"	—	1	—



## INDENTER CONNECTORS - STEEL



Insulated Connectors



Uninsulated Connectors

INSULATED CATALOG NUMBER	UNINSULATED CATALOG NUMBER	TRADE SIZE	UNIT CARTON QTY.	SHIP CARTON QTY.	UPC BAR CODE
<b>Connectors – Steel</b>					
1992	1972	1/2"	50	500	—
1993	1973	3/4"	25	250	—

### APPLICATIONS

- For use in dry locations to bond EMT conduit to a box or enclosure
- RACO® indenter connectors provide concrete-tight connections when taped

### PRODUCT FEATURES

- All steel construction insures mechanical protection for the raceway
- All components are zinc electroplated for corrosion protection



INDENTER COUPLINGS AND TOOLS - STEEL



Couplings



Replacement Points



Intender Tools Forged Steel

**APPLICATIONS**

- For use in dry locations to couple two ends of EMT conduit
- RACO® Intender couplings provide concrete-tight connections when taped

**PRODUCT FEATURES**

- All steel construction insures mechanical protection for the raceway
- All components are zinc electroplated for corrosion protection

CATALOG NUMBER	TRADE SIZE	UNIT CARTON QTY.	SHIP CARTON QTY.	UPC BAR CODE
<b>Couplings – Steel</b>				
1982	1/2"	50	500	—
1983	3/4"	25	250	—

CATALOG NUMBER	TRADE SIZE	DESCRIPTION	SHIP CARTON QTY.	UPC BAR CODE
<b>Intender Tools Forged – Steel</b>				
1962	1/2"	Tool	1	—
1961	For No. 1962	Replacement Point	10	—



SET SCREW CONNECTORS - DIE CAST



Insulated Connectors



Uninsulated Connectors

INSULATED CATALOG NUMBER	UNINSULATED CATALOG NUMBER	TRADE SIZE	UNIT CARTON QTY.	SHIP CARTON QTY.	UPC BAR CODE
<b>Set Screw Connectors – Die Cast Zinc</b>					
2634	2602	1/2"	50	500	—
2635	2603	3/4"	25	250	—
2636	2604	1"	50	200	—
2637	2605	1-1/4"	25	100	—
2638	2606	1-1/2"	10	40	—
2639	2608	2"	5	20	—
2648	2640	2-1/2"	—	12	—
2649	2642	3"	—	12	—
2650	—	3-1/2"	—	10	—
—	2644	3-1/2"	—	6	—
2651	2646	4"	—	6	—

**APPLICATIONS**

- For use in dry locations to bond EMT conduit to a box or enclosure
- RACO® Die cast set screw connectors provide concrete-tight connections when taped
- RACO® Set screw connectors are suitable for applications above 600V

**PRODUCT FEATURES**

- Rugged metallic construction insures mechanical protection for the raceway
- 2-1/2" to 4" trade sizes are UL Listed for use on Rigid/IMC conduit, allowing for installation flexibility

**COMPLIANCE**

-  FILE E195970



SET SCREW COUPLINGS AND OFFSETS - DIE CAST



Couplings



Offset Connectors

**COUPLINGS AND OFFSET CONNECTORS APPLICATIONS**

- RACO® Die cast set screw couplings provide concrete-tight connections when taped
- RACO® set screw couplings are suitable for applications above 600V

**COUPLINGS APPLICATION**

- For use in dry locations to couple two ends of EMT conduit

**OFFSETS CONNECTORS APPLICATION**

- For use in dry locations to bond EMT conduit to a box or enclosure

**COUPLINGS AND OFFSET CONNECTORS PRODUCT FEATURE**

- Rugged metallic construction provides mechanical protection for the raceway

**COUPLINGS PRODUCT FEATURE**

- 2-1/2" to 4" trade sizes are UL listed for use on Rigid/IMC conduit, allowing for installation flexibility

**COMPLIANCES**

- FILE E195969
- - C22.2 # 18

CATALOG NUMBER	TRADE SIZE	UNIT CARTON QTY.	SHIP CARTON QTY.	UPC BAR CODE
<b>Couplings – Die Cast Zinc</b>				
2622	1/2"	50	500	—
2623	3/4"	25	250	—
2624	1"	50	200	—
2625	1-1/4"	25	100	—
2626	1-1/2"	10	40	—
2628	2"	5	20	—
2670	2-1/2"	—	12	—
2672	3"	—	12	—
2674	3-1/2"	—	6	—
2676	4"	—	6	—
<b>Offset Connectors – Die Cast Zinc</b>				
1762	1/2"	—	50	—
1763	3/4"	—	25	—



## HANDY ELLS - DIE CAST



90 Degree Handy Ells  
Couplings



90 Degree Handy Ells  
Connectors

CATALOG NUMBER	TRADE SIZE	UNIT CARTON QTY.	SHIP CARTON QTY.	UPC BAR CODE
<b>90 Degree Handy Ells – Die Cast Zinc Couplings</b>				
2752	1/2"	10	100	—
2753	3/4"	5	50	—
2754	1"	—	25	—
<b>90 Degree Handy Ells – Die Cast Zinc Connectors</b>				
2762	1/2"	10	100	—
2763	3/4"	5	50	—

### APPLICATIONS

- For use in dry locations to bond EMT conduit to a box or enclosure, or to couple two ends of EMT conduit
- Use handy ells when bending conduit is not practical

### PRODUCT FEATURE

- Cover included

### COMPLIANCE

-  FILE E195969
-  - C22.2 # 18



COMPRESSION COUPLINGS - DIE CAST



Couplings

**APPLICATIONS**

- For use to couple two ends of EMT conduit
- RACO® Compression couplings are suitable for applications above 600V
- RACO® 1/2" to 4" couplings provide concrete-tight connections

**PRODUCT FEATURES**

- Rugged metallic construction provides mechanical protection for the raceway
- Hex compression nuts assure easy wrench installation

**COMPLIANCES**

-  FILE E195970
-  - C22.2 # 18

CATALOG NUMBER	TRADE SIZE	UNIT CARTON QTY.	SHIP CARTON QTY.	UPC BAR CODE
<b>Couplings – Die Cast Zinc</b>				
2822	1/2"	50	500	—
2823	3/4"	25	250	—
2824	1"	50	200	—
2825	1-1/4"	25	100	—
2826	1-1/2"	10	40	—
2828	2"	5	20	—
2870	2-1/2"	—	12	—
2872	3"	—	12	—
2874	3-1/2"	—	10	—
2876	4"	—	6	—



COMPRESSION CONNECTORS - DIE CAST



Insulated Throat Connectors



Uninsulated Connectors

INSULATED CATALOG NUMBER	UNINSULATED CATALOG NUMBER	TRADE SIZE	UNIT CARTON QTY.	SHIP CARTON QTY.	UPC BAR CODE
<b>Compression Connectors – Die Cast Zinc</b>					
2832	2802	1/2"	50	500	—
2833	2803	3/4"	25	250	—
2834	2804	1"	50	200	—
2835	2805	1-1/4"	25	100	—
2836	2806	1-1/2"	10	40	—
2838	2808	2"	5	20	—
2890	2840	2-1/2"	—	12	—
2892	2842	3"	—	12	—
2894	2844	3-1/2"	—	10	—
2896	2846	4"	—	6	—

**APPLICATIONS**

- For use to bond EMT conduit to a box
- RACO® 1/2" to 4" connectors provide concrete-tight connections
- RACO® Compression connectors are suitable for applications above 600V

**PRODUCT FEATURES**

- Rugged metallic construction provides mechanical protection for the raceway
- Oversized hex compression nuts assure easy wrench installation

**COMPLIANCES**

-  FILE E195970
-  - C22.2 # 18





COMPRESSION OFFSET CONNECTORS - DIE CAST



Offset Connectors

**PRODUCT APPLICATIONS**

- For use to bond EMT conduit to a box
- RACO® Compression offset connectors are suitable for applications above 600V

**PRODUCT FEATURES**

- Rugged metallic construction provides mechanical protection for the raceway
- Hex compression nuts assure easy wrench installation

**COMPLIANCES**

-  FILE E195970
-  - C22.2 # 18

CATALOG NUMBER	TRADE SIZE	UNIT CARTON QTY.	SHIP CARTON QTY.	UPC BAR CODE
<b>Offset Connectors – Die Cast Zinc</b>				
1952	1/2"	—	50	—
1953	3/4"	—	25	—



## 90° SHORT ANGLE CONNECTORS - MALLEABLE IRON



90° Short Angle Connectors

CATALOG NUMBER	TRADE SIZE	UNIT CARTON QTY.	SHIP CARTON QTY.	UPC BAR CODE
<b>90° Short Angle Connectors – Malleable Iron</b>				
2072	1/2"	25	100	—
2073	3/4"	—	25	—

**APPLICATIONS**

- To bond EMT conduit to a box or enclosure
- Use RACO® 90 degree short angle connectors when bending conduit is not practical

**PRODUCT FEATURES**

- Malleable construction insures mechanical protection for the raceway
- Hex compression nuts assure easy wrench installation
- All components are zinc electro plated for corrosion protection

**COMPLIANCES**

-  - Standard 514B



EMT TWO-PIECE CONNECTORS AND COUPLINGS



TWO PIECE CONNECTORS AND COMBINATION COUPLINGS - DIE CAST/STEEL



Two-Piece Connectors



EMT to Rigid Couplings  
Threaded/Compression

**DIE CAST TWO-PIECE CONNECTORS APPLICATIONS**

- For use in dry locations to bond EMT conduit to a box or enclosure
- RACO® 1/2" and 3/4" two-piece connectors provide concrete-tight connections

**DIE CAST TWO-PIECE CONNECTORS PRODUCT FEATURE**

- Rugged metallic construction provides mechanical protection for the raceway

**COMPLIANCE**

- - Standard 514B

**STEEL COMBINATION COUPLINGS APPLICATION**

- Use RACO Cat. Nos. 1352 - 1354 when coupling threaded rigid/IMC conduit to EMT

**STEEL COMBINATION COUPLINGS PRODUCT FEATURES**

- Rugged metallic construction provides mechanical protection for the raceway
- All steel components are zinc electro plated for corrosion protection

**COMPLIANCE**

- - Standard 514B

CATALOG NUMBER	TRADE SIZE	UNIT CARTON QTY.	SHIP CARTON QTY.	UPC BAR CODE
<b>Two-Piece Connectors – Die Cast Zinc</b>				
2702	1/2"	—	100	—
2703	3/4"	—	50	—
<b>EMT - Rigid Couplings Threaded/Compression – Steel</b>				
1352	1/2"	—	25	—
1353	3/4"	—	25	—
1354	1"	—	25	—



## COMBINATION COUPLINGS - STEEL



EMT to Rigid Couplings Set Screw

CATALOG NUMBER	TRADE SIZE	UNIT CARTON QTY.	SHIP CARTON QTY.	UPC BAR CODE
<b>EMT - Rigid Couplings Set Screw – Steel</b>				
1432	1/2"	—	25	—
1433	3/4"	—	25	—
1434	1"	—	25	—

**APPLICATIONS**

- Use RACO® Catalog numbers 1432 - 1434 when coupling unthreaded Rigid/IMC to EMT conduit

**PRODUCT FEATURES**

- Rugged metallic construction provides mechanical protection
- All components are zinc electro plated for corrosion protection
- UPC bar coded fittings are individually polybagged with a preprinted UPC-A bar code and packaged in pre-scored tear top cartons for an attractive presentation



COMBINATION COUPLINGS - MALLEABLE IRON/DIE CAST



EMT - Flex Couplings  
Squeeze/Compression



EMT - Flex Couplings  
Screw-in/Compression

**APPLICATION**

- Use RACO® Catalog numbers 1941 - 1943 or 1482 - 1484 when coupling flexible metal conduit to EMT

**PRODUCT FEATURES**

- Rugged metallic construction insures mechanical protection
- All steel/malleable components are zinc electro plated for corrosion protection
- UPC bar coded fittings are individually polybagged with a preprinted UPC-A bar code and packaged in pre-scored tear top cartons for an attractive presentation

**COMPLIANCE**

-  FILE E195969

CATALOG NUMBER	FLEX SIZE	EMT SIZE	UNIT CARTON QTY.	SHIP CARTON QTY.	UPC BAR CODE
<b>EMT - Flex Couplings Squeeze/Compression – Malleable Iron</b>					
1941*	3/8"	1/2"	—	25	—
1942	1/2"	1/2"	—	25	—
1942-8	1/2"	1/2"	1	25	
1943	3/4"	3/4"	—	25	—
1943-8	3/4"	3/4"	1	20	
<b>EMT - Flex Couplings Screw-in/Compression – Die Cast Zinc</b>					
1482	1/2"	1/2"	50	500	—
1483	3/4"	3/4"	25	250	—
1484	1"	1"	25	250	—

\*Not UL Listed



CLAMP BACKS - MALLEABLE IRON



Clamp Backs

CATALOG NUMBER	RIGID/IMC SIZE	EMT SIZE	UNIT CARTON QTY.	SHIP CARTON QTY.	UPC BAR CODE
<b>Clampbacks – Malleable Iron</b>					
1342	1/2"	3/4"	—	100	—
1343	3/4"	1"	—	100	—
1344	1"	1-1/4"	—	50	—
1345	1-1/4"	1-1/2"	—	25	—
1346	1-1/2"	2"	—	25	—
1348	2"	2"	—	10	—
1347	2-1/2"	2-1/2"	—	10	—
1349	3"	3"	—	10	—
1350	3-1/2"	3-1/2"	—	5	—
1351	4"	4"	—	5	—

**APPLICATIONS**

- For use with RACO® 1300 Series EMT and Rigid/IMC straps to permit space between the conduit and the mounting surface
- Use of clampbacks in outdoor locations can prevent the build-up of snow and rain between the conduit and the mounting surface

**PRODUCT FEATURES**

- All malleable construction insures durability and mechanical protection
- Zinc electro plated for added corrosion protection
- Elongated bolt holes make alignment with straps easy
- For use in mounting EMT conduit in wet or dry locations

**COMPLIANCE**

-  FILE E195968



STRAPS - STEEL



One Hole Push-on Straps



Two Hole Straps

**APPLICATION**

- For use in mounting EMT conduit

**PRODUCT FEATURES**

- All stamped steel construction insures mechanical protection
- RACO® steel one hole straps snap on to the conduit, allowing the installer to easily position the strap before mounting
- Oversized bolt holes make alignment of the fastener quick and easy
- All straps are zinc electro plated for corrosion protection

**COMPLIANCE**

- - Listed  
E 195968 (2082 - 2088)

CATALOG NUMBER	TRADE SIZE	UNIT CARTON QTY.	SHIP CARTON QTY.	UPC BAR CODE
<b>One Hole Push-on Straps Stamped – Steel (cULus)</b>				
2082	1/2"	100	1000	—
2083	3/4"	50	500	—
2084	1"	50	500	—
2085	1-1/4"	—	50	—
2086	1-1/2"	—	50	—
2088	2"	—	25	—
1337	2-1/2"	—	25	—
1339	3"	—	25	—
1340	3-1/2"	—	10	—
1341	4"	—	10	—
<b>Two Hole Straps Stamped – Steel</b>				
2092	1/2"	—	100	—
2093	3/4"	—	100	—
2094	1"	—	100	—
2095	1-1/4"	—	50	—
2096	1-1/2"	—	50	—
2098	2"	—	25	—
2239	2-1/2"	—	25	—
2240	3"	—	25	—
2241	3-1/2"	—	25	—
2242	4"	—	10	—



STRAPS - MALLEABLE AND STEEL



One Hole Straps



Nail-up Straps

CATALOG NUMBER	TRADE SIZE	UNIT CARTON QTY.	SHIP CARTON QTY.	UPC BAR CODE
<b>One Hole Straps – Malleable Iron</b>				
1310	2-1/2"	—	10	—
1312	3"	—	10	—
1314	3-1/2"	—	5	—
1316	4"	—	5	—
<b>Nail-up Straps Stamped – Steel</b>				
2252	1/2"	100	1000	—
2253	3/4"	100	1000	—
2254	1"	100	1000	—

**MALLEABLE-STRAPS APPLICATION**

- For use in mounting EMT conduit in wet or dry locations

**STEEL-STRAPS APPLICATION**

- For use in mounting EMT conduit

**MALLEABLE - STRAPS  
PRODUCT FEATURES**

- All malleable construction insures mechanical protection
- Oversized bolt holes make alignment of the fastener quick and easy
- All straps are zinc electro plated for corrosion protection

**STEEL - STRAPS  
PRODUCT FEATURE**

- Stamped steel straps are pregalvanized for added corrosion protection

**STEEL - STRAPS COMPLIANCE**

-  - LISTED E195968, E195973
-  - (2252-2253)





SET SCREW CONNECTORS - STEEL



Insulated Connectors



Uninsulated Connectors

**APPLICATIONS**

- For use in dry locations to bond unthreaded rigid/IMC conduit to a box or enclosure
- RACO® Steel set screw connectors are suitable for concrete-tight applications when taped

**PRODUCT FEATURES**

- All steel construction insures mechanical protection for the raceway
- 2-1/2" to 4" trade sizes are also UL listed for use on EMT conduit, allowing for design and installation flexibility
- All components are zinc electroplated for corrosion protection

**COMPLIANCE**

-  - Standard 514B  
U L LISTED E195969

INSULATED CATALOG NUMBER	UNINSULATED CATALOG NUMBER	TRADE SIZE	UNIT CARTON QTY.	SHIP CARTON QTY.	UPC BAR CODE
<b>Set Screw Connectors – Steel</b>					
—	<b>3002</b>	1/2"	—	25	—
—	<b>3003</b>	3/4"	—	25	—
—	<b>3004</b>	1"	—	10	—
—	<b>3005</b>	1-1/4"	—	5	—
—	<b>3006</b>	1-1/2"	—	5	—
—	<b>3008</b>	2"	—	5	—
<b>*2160</b>	<b>*2140</b>	2-1/2"	—	5	—
<b>*2162RAC</b>	<b>*2142</b>	3"	—	1	—
<b>*2164</b>	<b>*2144</b>	3-1/2"	—	1	—
<b>*2166</b>	<b>*2146</b>	4"	—	1	—

*\*Add suffix US when ordering for US Made product*



## SET SCREW COUPLINGS - STEEL



Couplings

CATALOG NUMBER	TRADE SIZE	UNIT CARTON QTY.	SHIP CARTON QTY.	UPC BAR CODE
<b>Couplings – Steel</b>				
3022	1/2"	—	25	—
3023	3/4"	—	10	—
3024	1"	—	5	—
3025	1-1/4"	—	5	—
3026	1-1/2"	—	5	—
3028	2"	—	5	—
*2150	2-1/2"	—	5	—
*2152	3"	—	1	—
*2154	3-1/2"	—	1	—
*2156	4"	—	1	—

\*Add suffix US when ordering for US made product

### APPLICATIONS

- For use in dry locations to couple two ends of unthreaded rigid/IMC conduit
- RACO® Steel set screw couplings are suitable for concrete-tight applications when taped

### PRODUCT FEATURES

- All steel construction insures mechanical protection for the raceway
- 2-1/2" to 4" trade sizes are also UL listed for use on EMT conduit, allowing for design and installation flexibility
- All components are zinc electroplated for corrosion protection

### COMPLIANCE

-  - Standard 514B  
U L LISTED E195969



COMPRESSION CONNECTORS - STEEL/MALLEABLE IRON



Insulated Connectors



Uninsulated Connectors

**APPLICATIONS**

- For use to bond unthreaded rigid/IMC conduit to a box or enclosure
- RACO® 1/2" to 4" connectors and couplings provide concrete-tight connections

**PRODUCT FEATURES**

- All steel/malleable iron construction insures mechanical protection for the raceway
- Hex compression nuts assure easy wrench installation
- All components are zinc electro plated for corrosion protection

**COMPLIANCES**

- - Standard 514B  
U L FILE E195969
- - C22.2 #18

INSULATED CATALOG NUMBER	UNINSULATED CATALOG NUMBER	TRADE SIZE	UNIT CARTON QTY.	SHIP CARTON QTY.	UPC BAR CODE
<b>Compression Connectors – Steel/Malleable Iron</b>					
3802RAC	1802	1/2"	—	25	—
3803RAC	1803	3/4"	—	25	—
3804RAC	1804	1"	—	10	—
3805RAC	1805	1-1/4"	—	5	—
3806RAC	1806	1-1/2"	—	5	—
3808RAC	1808	2"	—	5	—
—	1810	2-1/2"	—	5	—
—	1812	3"	—	1	—
—	1814	3-1/2"	—	1	—
—	1816	4"	—	1	—



COMPRESSION COUPLINGS - STEEL/MALLEABLE IRON



Couplings

CATALOG NUMBER	TRADE SIZE	UNIT CARTON QTY.	SHIP CARTON QTY.	UPC BAR CODE
<b>Couplings – Steel/Malleable Iron</b>				
1822	1/2"	—	25	—
1823	3/4"	—	10	—
1824	1"	—	5	—
1825	1-1/4"	—	5	—
1826	1-1/2"	—	5	—
1828	2"	—	5	—
1830	2-1/2"	—	5	—
1832	3"	—	1	—
1834	3-1/2"	—	1	—
1836	4"	—	1	—

**APPLICATIONS**

- For use to couple two ends of unthreaded rigid/IMC conduit
- RACO® 1/2" to 4" couplings provide concrete-tight connections

**PRODUCT FEATURES**

- All steel/malleable iron construction insures mechanical protection for the raceway
- Hex compression nuts assure easy wrench installation
- All components are zinc electro plated for corrosion protection

**COMPLIANCE**

-  - Standard 514B  
U L FILE E195969
-  - C22.2 #18



SHORT ELBOWS - MALLEABLE IRON



90 Degree Short Elbows

**APPLICATION**

- For use with threaded rigid/IMC conduit
- 90 degree short elbows are ideal for use in tight locations where bending of conduit is not practical

**PRODUCT FEATURES**

- All malleable iron construction insures mechanical protection for the raceway
- All components are zinc electro plated for corrosion protection

**COMPLIANCES**

-  - Standard 514B

CATALOG NUMBER	TRADE SIZE	UNIT CARTON QTY.	SHIP CARTON QTY.	UPC BAR CODE
<b>90 Degree Short Elbows – Malleable Iron</b>				
1722	1/2"	—	50	—
1723	3/4"	—	25	—



HANDY ELLS - DIE CAST



90 Degree Handy Ells  
Threaded Connectors



90 Degree Handy Ells  
Threaded Couplings

CATALOG NUMBER	TRADE SIZE	UNIT CARTON QTY.	SHIP CARTON QTY.	UPC BAR CODE
<b>90 Degree Handy-Ells Threaded Connectors – Die Cast Zinc</b>				
2662	1/2"	10	100	—
2663	3/4"	5	50	—
2664RAC	1"	—	25	—
<b>90 Degree Handy-Ells Threaded Couplings – Die Cast Zinc</b>				
2652	1/2"	10	100	—
2653	3/4"	5	50	—
2654	1"	—	25	—
2655	1-1/4"	—	20	—

**APPLICATIONS**

- For use with threaded rigid/IMC conduit to bond conduit to a box or enclosure, or to couple two ends of rigid/IMC conduit
- Use handy ells when bending conduit is not practical

**PRODUCT FEATURES**

- Gasket and cover included

**COMPLIANCE**

-  - Standard 514B  
U L LISTED E195969
-  - C22.2 #18



THREE-PIECE COUPLINGS - MALLEABLE IRON



Three-piece Couplings

**APPLICATIONS**

- For use with threaded rigid/IMC conduit
- Use couplings to couple conduit ends when the conduit cannot be turned
- RACO® Three-piece couplings provide concrete-tight connections

**PRODUCT FEATURES**

- Malleable iron construction insures mechanical protection for the raceway
- All components are zinc electro plated for corrosion protection

**COMPLIANCE**

- cUL<sub>us</sub>  
UL LISTED E195969

CATALOG NUMBER	TRADE SIZE	UNIT CARTON QTY.	SHIP CARTON QTY.	UPC BAR CODE
<b>Three-Piece Couplings – Malleable Iron</b>				
1502	1/2"	—	25	—
1503	3/4"	—	25	—
1504	1"	—	5	—
1505	1-1/4"	—	5	—
1506	1-1/2"	—	5	—
1508	2"	—	5	—
1510	2-1/2"	—	4	—
1512	3"	—	4	—
1514	3-1/2"	—	2	—
1516	4"	—	2	—
<b>Three-Piece Couplings – Steel</b>				
1520	5"	—	1	—
1524	6"	—	1	—



COMBINATION COUPLINGS - STEEL



Rigid to EMT Couplings  
Threaded/Compression



Rigid to EMT Couplings  
Set Screw

CATALOG NUMBER	TRADE SIZE	UNIT CARTON QTY.	SHIP CARTON QTY.	UPC BAR CODE
<b>Rigid-EMT Couplings Threaded/Compression – Steel</b>				
1352	1/2"	—	25	—
1353	3/4"	—	25	—
1354	1"	—	25	—
<b>Rigid-EMT Couplings Set Screw – Steel</b>				
1432	1/2"	—	25	—
1433	3/4"	—	25	—
1434	1"	—	25	—


**APPLICATIONS**

- For use when coupling rigid/IMC to EMT
- Use RACO® Cat. Nos. 1352 - 1354 when coupling threaded rigid/IMC conduit to EMT
- Use RACO® Cat. Nos. 1432 - 1434 when coupling unthreaded rigid/IMC conduit to EMT

**PRODUCT FEATURES**

- All steel construction insures mechanical protection
- All components are zinc electro plated for corrosion protection
- UPC bar code fittings are individually polybagged with a preprinted UPC-A bar code and packaged in pre-scored tear top cartons for an attractive presentation

**COMPLIANCE**

-  - Standard 514B (1432 - 1434 only)  
U L FILE E195969





COMBINATION COUPLINGS - MALLEABLE IRON



Rigid to Flex Couplings Threaded/Squeeze

**APPLICATION**

- Use RACO® Cat. Nos. 1552 - 1554 when coupling flexible metal conduit to threaded rigid/IMC

**PRODUCT FEATURES**

- All malleable iron construction insures mechanical protection for the raceway
- All components are zinc electro plated for corrosion protection

**COMPLIANCE**

- 

CATALOG NUMBER	TRADE SIZE	UNIT CARTON QTY.	SHIP CARTON QTY.	UPC BAR CODE
<b>Rigid - Flex Couplings – Malleable Iron Squeeze/Threaded</b>				
1552	1/2"	—	100	—
1553	3/4"	—	25	—
1554	1"	—	25	—



## THREADED HUBS - DIE CAST



Threaded Hubs Insulated

CATALOG NUMBER	TRADE SIZE	UNIT CARTON QTY.	SHIP CARTON QTY.	UPC BAR CODE
<b>Threaded Hubs Insulated Throat – Die Cast Zinc</b>				
1702	1/2"	—	25	—
1703	3/4"	—	25	—
1704	1"	—	25	—
1705	1-1/4"	—	10	—
1706	1-1/2"	—	10	—
1708	2"	—	10	—
1710	2-1/2"	—	5	—
1712	3"	—	2	—
1714	3-1/2"	—	2	—
1716	4"	—	2	—

### APPLICATIONS

- For use with threaded rigid/IMC conduit to connect and bond conduit to a threadless opening in a box or enclosure
- May be used in wet or dry locations

### PRODUCT FEATURES

- Rugged metallic construction insures mechanical protection
- Insulated throat protects wires and reduces wire pulling effort
- O-ring seals the assembly and provides a raintight seal

### COMPLIANCE

-  - Standard 514B  
U L LISTED E195969
-  - C22.2 #18



REDUCING BUSHINGS - STEEL



Reducing Bushings

**APPLICATION**

- For use with threaded rigid/IMC conduit to reduce the size of a female hub to accommodate a smaller size of conduit or male threaded hub

**PRODUCT FEATURES**

- Rugged steel construction insures mechanical protection of the raceway
- Zinc electro plated for corrosion protection

**COMPLIANCE**

-  <sup>us</sup>  
UL LISTED E195969

CATALOG NUMBER	TRADE SIZE	UNIT CARTON QTY.	SHIP CARTON QTY.	UPC BAR CODE
<b>Reducing Bushings – Steel</b>				
1141	1/2" - 3/8"	—	100	—
1142	3/4" - 1/2"	—	100	—
1143	1" - 1/2"	—	50	—
1144	1" - 3/4"	—	50	—
1145	1-1/4" - 1/2"	—	50	—
1146	1-1/4" - 3/4"	—	50	—
1147	1-1/4" - 1"	—	50	—
1148	1-1/2" - 1/2"	—	50	—
1149	1-1/2" - 3/4"	—	50	—
1150	1-1/2" - 1"	—	50	—
1151	1-1/2" - 1-1/4"	—	50	—
1152	2" - 1/2"	—	25	—
1153	2" - 3/4"	—	25	—
1154	2" - 1"	—	25	—
1155	2" - 1-1/4"	—	25	—
1156	2" - 1-1/2"	—	25	—



## REDUCING BUSHINGS - IRON



Reducing Bushings

CATALOG NUMBER	TRADE SIZE	UNIT CARTON QTY.	SHIP CARTON QTY.	UPC BAR CODE
<b>Reducing Bushings – Iron</b>				
1160	2-1/2" - 1-1/4"	—	10	—
1161	2-1/2" - 1-1/2"	—	10	—
1162	2-1/2" - 2"	—	10	—
1168	3" - 2"	—	10	—
1169	3" - 2-1/2"	—	5	—
1175	3"-1/2" - 2"	—	5	—
1176	3"-1/2" - 2-1/2"	—	5	—
1177	3"-1/2" - 3"	—	5	—
1185	4" - 3"	—	5	—
1186	4" - 3-1/2"	—	5	—

**APPLICATION**

- For use with threaded rigid/IMC conduit to reduce the size of a female hub to accommodate a smaller size of conduit or male threaded hub

**PRODUCT FEATURES**

- Rugged iron construction insures mechanical protection of the raceway
- Zinc electro plated for corrosion protection

**COMPLIANCE**

- cULus  
UL LISTED E195969



LOCKNUTS - STEEL



Locknuts  
(1001)



Locknuts  
(1002 - 1220)

**APPLICATION**

- For use in dry locations on threaded rigid/ IMC conduit to secure conduit to a box or enclosure

**PRODUCT FEATURES**

- All steel construction insures mechanical protection
- Zinc electro plated for corrosion protection

**COMPLIANCES (EXCLUDES NON-UL)**

- - Standard 514B  
U L LISTED E195969
- - C22.2 #18

CATALOG NUMBER	TRADE SIZE	UNIT CARTON QTY.	SHIP CARTON QTY.	UPC BAR CODE
<b>Locknuts – Steel</b>				
1001	3/8"	100	1000	—
1002	1/2"	100	1000	—
1003	3/4"	100	1000	—
1004	1"	—	100	—
1005	1-1/4"	—	50	—
1006	1-1/2"	—	50	—
1008	2"	—	50	—
1010	2-1/2"	—	30	—
1012	3"	—	25	—
1014	3-1/2"	—	15	—
1016	4"	—	10	—
1020	5"	—	8	—
1024	6"	—	8	—
<b>Non-UL Locknuts – Steel</b>				
1192	1/2"	100	1000	—
1193	3/4"	100	1000	—
1194	1"	—	100	—
1195	1-1/4"	—	50	—
1196	1-1/2"	—	50	—
1198	2"	—	50	—
1197	2-1/2"	—	30	—
1199	3"	—	25	—
1200	3-1/2"	—	15	—
1201	4"	—	10	—
1219	5"	—	8	—
1220	6"	—	8	—



## BONDING LOCKNUTS - STEEL



Bonding Locknuts

CATALOG NUMBER	TRADE SIZE	UNIT CARTON QTY.	SHIP CARTON QTY.	UPC BAR CODE
<b>Bonding Locknuts – Steel</b>				
1242	1/2"	—	50	—
1243	3/4"	—	50	—
1244	1"	—	25	—
1245	1-1/4"	—	25	—
1246	1-1/2"	—	25	—
1248	2"	—	20	—
1250	2-1/2"	—	10	—
1252	3"	—	10	—
1254	3-1/2"	—	5	—
1256	4"	—	5	—

**APPLICATION**

- For use on threaded rigid/IMC conduit
- Use bonding locknuts when additional locking and grounding connections are required in applications where severe vibration is encountered

**PRODUCT FEATURES**

- All steel construction insures mechanical protection
- Zinc electro plated for corrosion protection

**COMPLIANCES**

-  - Standard 514B  
UL LISTED E195975
-  - C22.2 #18



SEALING LOCKNUTS - STEEL



Sealing Locknuts

**APPLICATION**

- For use on threaded rigid/IMC conduit to provide a liquidtight seal against water and oil
- RACO® sealing locknuts may be used with either sheet metal or cast enclosures

**PRODUCT FEATURES**

- Fused-in-place gasket guarantees a liquidtight seal
- Use RACO sealing locknut as an economical alternative to a threaded enclosure connector
- All steel construction insures mechanical protection
- Zinc electro plated for corrosion protection

**COMPLIANCES**

- - Standard 514B (1202 - 1210)  
U L FILE E195969
- - C22.2 #18 (1202 - 1211)

CATALOG NUMBER	TRADE SIZE	UNIT CARTON QTY.	SHIP CARTON QTY.	UPC BAR CODE
<b>Sealing Locknuts – Steel</b>				
1202	1/2"	—	100	—
1203	3/4"	—	100	—
1204	1"	—	50	—
1205	1-1/4"	—	50	—
1206	1-1/2"	—	25	—
1208	2"	—	25	—
1207	2-1/2"	—	30	—
1209	3"	—	25	—
1210	3-1/2"	—	15	—
1211	4"	—	10	—



## INSULATING BUSHINGS - POLYPROPYLENE



Insulating Bushings

CATALOG NUMBER	TRADE SIZE	UNIT CARTON QTY.	SHIP CARTON QTY.	UPC BAR CODE
<b>Insulating Bushings – Polypropylene</b>				
1402	1/2"	100	400	—
1403	3/4"	100	400	—
1404	1"	50	200	—
1405	1-1/4"	—	25	—
1406	1-1/2"	—	25	—
1408	2"	—	25	—
1410	2-1/2"	—	10	—
1412	3"	—	10	—
1414	3-1/2"	—	5	—
1416	4"	—	5	—
1420	5"	—	5	—
1424	6"	—	5	—

**APPLICATION**

- For use on threaded rigid/IMC conduit
- RACO® Bushings provide a smooth rounded surface at the entrance of raceways

**PRODUCT FEATURE**

- Insulating bushings are made of high impact polypropylene that is temperature rated at 105° C

**COMPLIANCES**

-  - Standard 514B  
UL FILE 195973





BUSHINGS - MALLEABLE IRON



Bushings

**APPLICATION**

- For use on threaded rigid/IMC conduit
- RACO® Bushings provide a smooth rounded surface at the entrance of raceways

**PRODUCT FEATURES**

- Malleable iron construction insures mechanical protection
- Zinc electro plated for corrosion protection

**COMPLIANCES**

- - Standard 514B  
U L LISTED E195969
- - C22.2 #18

CATALOG NUMBER	TRADE SIZE	UNIT CARTON QTY.	SHIP CARTON QTY.	UPC BAR CODE
<b>Bushings – Malleable Iron</b>				
1102RAC	1/2"	—	100	—
1103	3/4"	—	100	—
1104	1"	—	50	—
1105	1-1/4"	—	50	—
1106	1-1/2"	—	50	—
1108	2"	—	50	—
1110	2-1/2"	—	30	—
1112	3"	—	10	—
1114	3-1/2"	—	10	—
1116	4"	—	10	—



INSULATED BUSHINGS - MALLEABLE IRON



Insulated Bushings

CATALOG NUMBER	TRADE SIZE	UNIT CARTON QTY.	SHIP CARTON QTY.	UPC BAR CODE
<b>Insulated Bushings – Malleable Iron</b>				
1132*	1/2"	—	100	—
1133*	3/4"	—	50	—
1134*	1"	—	25	—
1135	1-1/4"	—	25	—
1136	1-1/2"	—	25	—
1138	2"	—	10	—
1126	2-1/2"	—	10	—
1127	3"	—	5	—
1128	3-1/2"	—	5	—
1129	4"	—	5	—

\*Available in Die Cast Zinc. Add suffix DC when ordering.

**APPLICATION**

- For use on threaded rigid/IMC conduit to provide a smooth rounded surface at the entrance of raceways

**PRODUCT FEATURES**

- Insuliner temperature rated at 150° C
- Malleable iron construction insures mechanical protection for the raceway
- Zinc electro plated for corrosion protection
- 1/2" to 1" trade sizes are also available in die cast zinc

**COMPLIANCES**

-  - Standard 514B  
U L LISTED E195969
-  - C22.2 #18



150° INSULATED GROUNDING BUSHINGS - MALLEABLE IRON



Insulated Grounding Bushings  
Lay-in Lug



Insulated Grounding Bushings  
Feed-thru Lug

**APPLICATION**

- For use on threaded rigid/IMC conduit to provide a means of grounding conduit through an insulated bushing

**PRODUCT FEATURES**

- Lay-in and Feed-thru lug styles provide an easy means of inserting a ground wire
- Dual rated aluminum grounding lugs may be used with copper or aluminum grounding conductors
- Insuliner temperature rated at 150° C
- Malleable iron construction insures mechanical protection for the raceway
- Zinc electro plated for corrosion protection

**COMPLIANCES**

- - Standard 514B
- - C22.2 #18

CATALOG NUMBER	TRADE SIZE	UNIT CARTON QTY.	SHIP CARTON QTY.	GROUNDING WIRE CAPACITY		UPC BAR CODE
				MIN.	MAX.	
<b>150° Insulated Grounding Bushings - Lay-in Lug – Malleable Iron</b>						
1212	1/2"	—	100	#14 Sol.	#4 Str.	—
1213	3/4"	—	100	#14 Sol.	#4 Str.	—
1214	1"	—	50	#14 Sol.	#4 Str.	—
1215	1-1/4"	—	25	#14 Sol.	#4 Str.	—
1216	1-1/2"	—	25	#14 Sol.	#4 Str.	—
1218	2"	—	10	#14 Sol.	#4 Str.	—
1290	2-1/2"	—	10	#14 Sol.	#1/0 Str.	—
1292RAC	3"	—	5	#14 Sol.	#1/0 Str.	—
1294	3-1/2"	—	5	#6 Str.	#250 MCM	—
1296	4"	—	5	#6 Str.	#250 MCM	—
<b>150° Insulated Grounding Bushings - Lay-in Lug – Die Cast Zinc</b>						
1262DC	1/2"	—	100	#14 Sol.	#4 Str.	—
1263DC	3/4"	—	100	#14 Sol.	#4 Str.	—
1264DC	1"	—	50	#14 Sol.	#4 Str.	—
<b>150° Insulated Grounding Bushings - Feed-thru Lug – Malleable Iron</b>						
1222	1/2"	—	100	#14 Sol.	#4 Str.	—
1223	3/4"	—	100	#14 Sol.	#4 Str.	—
1224	1"	—	50	#14 Sol.	#4 Str.	—
1225	1-1/4"	—	25	#14 Sol.	#4 Str.	—
1226	1-1/2"	—	25	#14 Sol.	#4 Str.	—
1228	2"	—	10	#14 Sol.	#4 Str.	—
1230	2-1/2"	—	10	#14 Sol.	#1/0 Str.	—
1232RAC	3"	—	5	#14 Sol.	#1/0 Str.	—
1234	3-1/2"	—	5	#6 Str.	#250 MCM	—
1236	4"	—	5	#6 Str.	#250 MCM	—



STRAPS - STEEL



One Hole Push-on Straps

CATALOG NUMBER	TRADE SIZE	UNIT CARTON QTY.	SHIP CARTON QTY.	UPC BAR CODE
<b>One Hole Push-on Straps – Stamped Steel</b>				
1332	1/2"	100	500	—
1333	3/4"	100	500	—
1334	1"	50	250	—
1335	1-1/4"	—	25	—
1336	1-1/2"	—	25	—
1338	2"	—	25	—
1337	2-1/2"	—	25	—
1339	3"	—	25	—
1340	3-1/2"	—	10	—
1341	4"	—	10	—

**APPLICATION**

- For use in mounting rigid/IMC conduit in wet or dry locations
- RACO® Rigid/IMC conduit straps are suitable for use on liquidtight flexible metal conduit and liquidtight flexible nonmetallic conduit (type B)

**PRODUCT FEATURES**

- All stamped steel construction insures mechanical protection
- RACO® steel one-hole straps snap on to conduit, allowing the installer to easily position the strap before mounting
- All straps are zinc electro plated for corrosion protection



STRAPS - STEEL



Two Hole Straps

**APPLICATION**

- For use in mounting rigid/IMC conduit in wet or dry locations
- RACO® Rigid/IMC conduit straps are suitable for use on liquidtight flexible metal conduit and liquidtight flexible nonmetallic conduit (type B)

**PRODUCT FEATURES**

- All stamped steel construction insures mechanical protection
- All straps are zinc electro plated for corrosion protection

CATALOG NUMBER	TRADE SIZE	UNIT CARTON QTY.	SHIP CARTON QTY.	UPC BAR CODE
<b>Two Hole Straps – Stamped Steel</b>				
2232	1/2"	—	100	—
2233	3/4"	—	100	—
2234	1"	—	100	—
2235	1-1/4"	—	100	—
2236	1-1/2"	—	50	—
2238	2"	—	25	—
2239	2-1/2"	—	25	—
2240	3"	—	25	—
2241	3-1/2"	—	25	—
2242	4"	—	10	—
2245-2	5"	—	5	—
2246-2	6"	—	5	—



TWO HOLE STRAPS - MALLEABLE IRON



One Hole Straps

CATALOG NUMBER	TRADE SIZE	UNIT CARTON QTY.	SHIP CARTON QTY.	UPC BAR CODE
<b>One Hole Straps – Malleable Iron</b>				
1301	3/8"	—	100	—
1302	1/2"	—	100	—
1303	3/4"	—	100	—
1304	1"	—	50	—
1305	1-1/4"	—	25	—
1306	1-1/2"	—	25	—
1308	2"	—	25	—
1310	2-1/2"	—	10	—
1312	3"	—	10	—
1314	3-1/2"	—	5	—
1316	4"	—	5	—

**APPLICATION**

- For use in mounting rigid/IMC conduit in wet or dry locations
- RACO® Rigid/IMC conduit straps are suitable for use on liquidtight flexible metal conduit and liquidtight flexible nonmetallic conduit (type B)

**PRODUCT FEATURES**

- All malleable construction insures mechanical protection
- All straps are zinc electro plated for corrosion protection



CLAMP BACKS - MALLEABLE IRON



Clamp Backs

**APPLICATION**

- For use with RACO® 1300 Series straps to permit space between the conduit and the mounting surface
- Use of clamp backs in outdoor locations can prevent the buildup of snow and rain between the conduit and the mounting surface

**PRODUCT FEATURES**

- All malleable construction insures durability and mechanical protection
- Elongated bolt holes make alignment with straps easy

**COMPLIANCE**

- UL LISTED E195968

CATALOG NUMBER	TRADE SIZE		UNIT CARTON QTY.	SHIP CARTON QTY.	UPC BAR CODE
	RIGID SIZE	EMT SIZE			
<b>Clamp Backs – Malleable Iron</b>					
1342	1/2"	3/4"	—	100	—
1343	3/4"	1"	—	100	—
1344	1"	1-1/4"	—	50	—
1345	1-1/4"	1-1/2"	—	25	—
1346	1-1/2"	2"	—	25	—
1348	2"	2"	—	10	—
1347	2-1/2"	2-1/2"	—	10	—
1349	3"	3"	—	10	—
1350	3-1/2"	3-1/2"	—	5	—
1351	4"	4"	—	5	—



STRAIGHT CONNECTORS



Insulated  
Steel/Malleable Iron



Uninsulated  
Steel/Malleable Iron

INSULATED CATALOG NUMBER	UNINSULATED CATALOG NUMBER	TRADE SIZE	UNIT CARTON QTY.	SHIP CARTON QTY.	UPC BAR CODE
<b>Straight - Insulated and Uninsulated – Steel/Malleable Iron</b>					
3511RAC*	—	3/8"	25	100	—
—	3401	3/8"	50	200	—
—	3401-8	3/8"	1	15	
3512RAC	3402	1/2"	50	200	—
3512-8	3402-8	1/2"	1	15	
3513RAC	3403	3/4"	25	100	—
3513-8	3403-8	3/4"	1	10	
3514RAC	3404	1"	—	10	—
3514-8	3404-8	1"	1	5	
3515RAC	3405	1-1/4"	—	10	—
3516	3406	1-1/2"	—	5	—
3518	3408	2"	—	5	—
3520	3410	2-1/2"	—	1	—
3522	3412	3"	—	1	—
3524	3414	3-1/2"	—	1	—
3526	3416	4"	—	1	—

45° CONNECTORS



Insulated  
Steel/Malleable Iron



Uninsulated  
Steel/Malleable Iron

INSULATED CATALOG NUMBER	UNINSULATED CATALOG NUMBER	TRADE SIZE	UNIT CARTON QTY.	SHIP CARTON QTY.	UPC BAR CODE
<b>45° Insulated and Uninsulated – Steel/Malleable Iron</b>					
3561*	3441*	3/8"	—	25	—
3562	3442	1/2"	—	25	—
3563	3443	3/4"	—	25	—
3564	3444	1"	—	10	—
3565	3445	1-1/4"	—	10	—
3566	3446	1-1/2"	—	5	—
3568	3448	2"	—	5	—

APPLICATIONS

- For use in outdoor or indoor locations on flexible metallic liquidtight conduit and Type B flexible nonmetallic liquidtight conduit
- Use to positively bond the conduit to a box or enclosure
- RACO® liquidtight connectors are suitable for use in Class I, Div 2; Class II, Div 1 & 2; and Class III, Div 1 & 2 hazardous locations

PRODUCT FEATURES

- Patented split gland-ring is designed to slip onto the conduit quickly and to grip the jacket of the conduit, speeding installation, assuring a perfect seal, and preventing pullouts
- All components are reusable - RACO® liquidtight connectors may be easily disassembled and reused after years of service
- Sealing washer (included) provides a liquidtight seal when terminating the connector in a threadless opening
- Heavy duty locknut included with every RACO® liquidtight connector assures continuity of ground
- All steel/iron components are zinc electroplated for added corrosion protection
- UPC bar coded fittings are individually polybagged with a preprinted UPC-A bar code and packaged in pre-scored tear top cartons for an attractive presentation

BODIES

- 3/8" to 1" Steel, 1-1/4" to 4" Malleable Iron

NUTS

- 3/8" to 1" Steel, 1-1/4" to 4" Malleable Iron

COMPLIANCES

- - Standard 514B  
U L LISTED E195969
- - C22.2 #18

\* 1/2" Trade size hub





90° CONNECTORS



Insulated  
Steel/Malleable Iron



Uninsulated  
Steel/Malleable Iron

**APPLICATIONS**

- For use in outdoor or indoor locations on flexible metallic liquidtight conduit and Type B flexible nonmetallic liquidtight conduit
- Use to positively bond the conduit to a box or enclosure
- RACO® liquidtight connectors are suitable for use in Class I, Div 2; Class II, Div 1 & 2; and Class III, Div 1 & 2 hazardous locations

**PRODUCT FEATURES**

- Patented split gland-ring is designed to slip onto the conduit quickly and to grip the jacket of the conduit, speeding installation, assuring a perfect seal, and preventing pullouts
- All components are reusable - RACO® liquidtight connectors may be easily disassembled and reused after years of service
- Sealing washer (included) provides a liquidtight seal when terminating the connector in a threadless opening
- Heavy duty locknut included with every RACO® liquidtight connector assures continuity of ground
- All steel/iron components are zinc electroplated for added corrosion protection
- UPC bar coded fittings are individually polybagged with a preprinted UPC-A bar code and packaged in pre-scored tear top cartons for an attractive presentation

**BODIES**

- 3/8" to 1" Steel, 1-1/4" to 4" Malleable Iron

**NUTS**

- 3/8" to 1" Steel, 1-1/4" to 4" Malleable Iron

**COMPLIANCES**

- - Standard 514B  
U L LISTED E195969
- - C22.2 #18

INSULATED CATALOG NUMBER	UNINSULATED CATALOG NUMBER	TRADE SIZE	UNIT CARTON QTY.	SHIP CARTON QTY.	UPC BAR CODE
<b>90° Insulated and Uninsulated – Steel/Malleable Iron</b>					
3541RAC*	3421*	3/8"	25	100	—
—	3421-8*	3/8"	1	15	
3542	3422	1/2"	25	100	—
3542-8	3422-8	1/2"	1	15	
3543	3423	3/4"	25	100	—
3543-8	3423-8	3/4"	1	10	
3544	3424	1"	—	10	—
3544-8	3424-8	1"	1	5	
3545	3425	1-1/4"	—	10	—
3546	3426	1-1/2"	—	5	—
3548	3428	2"	—	5	—
3550	3430	2-1/2"	—	1	—
3552	3432	3"	—	1	—
3556	3436	4"	—	1	—

\* 1/2" Trade size hub



STRAIGHT CONNECTORS



Insulated  
Die Cast Zinc



Uninsulated  
Die Cast Zinc

INSULATED CATALOG NUMBER	UNINSULATED CATALOG NUMBER	TRADE SIZE	UNIT CARTON QTY.	SHIP CARTON QTY.	UPC BAR CODE
<b>Straight - Insulated and Uninsulated – Die Cast Zinc</b>					
3511DC*	—	3/8"	50	200	—
—	3401DC*	3/8"	50	200	—
3512DC	3402DC	1/2"	50	200	—
3513DC	3403DC	3/4"	25	100	—
3514DC	3404DC	1"	—	10	—
3515DC	3405DC	1-1/4"	—	10	—
3516DC	3406DC	1-1/2"	—	5	—
3518DC	3408DC	2"	—	5	—
3520DC	—	2-1/2"	—	1	—
3522DC	—	3"	—	1	—
3524DC	—	3-1/2"	—	1	—
3526DC	—	4"	—	1	—

APPLICATIONS

- For use in outdoor or indoor locations on flexible metallic liquidtight conduit and Type B flexible nonmetallic liquidtight conduit
- Use to positively bond the conduit to a box or enclosure

PRODUCT FEATURES

- Patented split gland-ring is designed to slip onto the conduit quickly gripping the jacket of the conduit, speeding installation, assuring a perfect seal, preventing pullouts
- All components are reusable - RACO® liquid-tight connectors may be easily disassembled and reused after years of service
- Sealing washer (included) provides a liquid-tight seal when terminating the connector in a threadless opening
- Heavy duty locknut included with every RACO® liquidtight connector assures continuity of ground

COMPLIANCE

- Conduit Fittings 3HNN

90° CONNECTORS



Insulated  
Die Cast Zinc



Uninsulated  
Die Cast Zinc

<b>90° Insulated and Uninsulated – Die Cast Zinc</b>					
3541DC*	3421DC*	3/8"	25	100	—
3542DC	3422DC	1/2"	25	100	—
3543DC	3423DC	3/4"	25	100	—
3544DC	3424DC	1"	—	10	—
3545DC	3425DC	1-1/4"	—	10	—
3546DC	3426DC	1-1/2"	—	5	—
3548DC	3428DC	2"	—	5	—
3550DC	—	2-1/2"	—	1	—
3552DC	—	3"	—	1	—
3554DC	—	3-1/2"	—	1	—
3556DC	—	4"	—	1	—

\* 1/2" Trade size hub



STRAIGHT, GROUNDING TYPE CONNECTORS



Insulated w/Ground Lug  
Steel/Malleable Iron

**APPLICATIONS**

- For use in outdoor or indoor locations on flexible metallic liquidtight conduit, when installation of a copper or aluminum external bonding jumper is required
- RACO® grounding liquidtight connectors are suitable for use in Class I, Div 2; Class II, Div 1 & 2; and Class III, Div 1 & 2 hazardous locations

**PRODUCT FEATURES**

- Patented split gland-ring is designed to slip onto the conduit quickly and to grip the jacket of the conduit, speeding installation, assuring a perfect seal, and preventing pullouts
- All components are reusable - RACO® liquidtight connectors may be easily disassembled and reused after years of service
- Sealing washer (included) provides a liquidtight seal when terminating the connector in a threadless opening
- Heavy duty locknut included with every RACO® liquidtight connector assures continuity of ground
- All metallic components are zinc electro plated for added corrosion protection

**BODIES**

- 3/8" to 1" Steel, 1-1/4" to 4" Malleable Iron

**NUTS**

- 3/8" to 1" Steel, 1-1/4" to 4" Malleable Iron

**COMPLIANCES**

- - Standard 514B  
U L LISTED E195969
- - C22.2 #18

CATALOG NUMBER	TRADE SIZE	UNIT CARTON QTY.	SHIP CARTON QTY.	GROUNDING WIRE CAPACITY		UPC BAR CODE
				MINIMUM	MAXIMUM	
<b>Straight - Insulated with Ground Lug – Steel/Malleable Iron</b>						
3511-3*	3/8"	—	25	#14 SOL.	#4 STR.	—
3512-3	1/2"	—	25	#14 SOL.	#4 STR.	—
3513-3	3/4"	—	25	#14 SOL.	#4 STR.	—
3514-3	1"	—	10	#14 SOL.	#4 STR.	—
3515-3	1-1/4"	—	10	#14 SOL.	#4 STR.	—
3516-3	1-1/2"	—	5	#14 SOL.	#4 STR.	—
3518-3	2"	—	5	#14 SOL.	#4 STR.	—
3520-3	2-1/2"	—	1	#14 SOL.	#1/0 STR.	—
3522-3	3"	—	1	#14 SOL.	#1/0 STR.	—
3524-3	3-1/2"	—	1	#6 STR.	#250 MCM	—
3526-3	4"	—	1	#6 STR.	#250 MCM	—

\* 1/2" Trade size hub



45° INSULATED CONNECTOR, GROUNDING TYPE



Insulated w/Ground Lug  
Steel/Malleable Iron

CATALOG NUMBER	TRADE SIZE	UNIT CARTON QTY.	SHIP CARTON QTY.	GROUNDING WIRE CAPACITY		UPC BAR CODE
				MINIMUM	MAXIMUM	
<b>45° - Insulated with Ground Lug — Steel/Malleable Iron</b>						
3561-3*	3/8"	—	25	#14 SOL.	#4 STR.	—
3562-3	1/2"	—	25	#14 SOL.	#4 STR.	—
3563-3	3/4"	—	25	#14 SOL.	#4 STR.	—
3564-3	1"	—	10	#14 SOL.	#4 STR.	—
3565-3	1-1/4"	—	10	#14 SOL.	#4 STR.	—
3566-3	1-1/2"	—	5	#14 SOL.	#4 STR.	—
3568-3	2"	—	5	#14 SOL.	#4 STR.	—

\* 1/2" Trade size hub

**APPLICATIONS**

- For use in outdoor or indoor locations on flexible metallic liquidtight conduit, when installation of a copper or aluminum external bonding jumper is required
- RACO® grounding liquidtight connectors are suitable for use in Class I, Div 2; Class II, Div 1 & 2; and Class III, Div 1 & 2 hazardous locations

**PRODUCT FEATURES**

- Patented split gland-ring is designed to slip onto the conduit quickly and to grip the jacket of the conduit, speeding installation, assuring a perfect seal, and preventing pullouts
- Malleable iron castings mate with other components perfectly without strain or distortion
- All components are reusable - RACO® liquidtight connectors may be easily disassembled and reused after years of service
- Sealing washer (included) provides a liquidtight seal when terminating the connector in a threadless opening
- Heavy duty locknut included with every RACO® liquidtight connector assures continuity of ground
- All metallic components are zinc electro plated for added corrosion protection

**BODIES**

- 3/8" to 2" Malleable Iron

**NUTS**

- 3/8" to 1" Steel, 1-1/4" to 2" Malleable Iron

**COMPLIANCES**

- - Standard 514B  
U L LISTED E195969
- - C22.2 #18



90° INSULATED CONNECTOR, GROUNDING TYPE



Insulated w/Ground Lug  
Steel/Malleable Iron

**APPLICATIONS**

- For use in outdoor or indoor locations on flexible metallic liquidtight conduit, when installation of a copper or aluminum external bonding jumper is required
- RACO® grounding liquidtight connectors are suitable for use in Class I, Div 2; Class II, Div 1 & 2; and Class III, Div 1 & 2 hazardous locations

**PRODUCT FEATURES**

- Patented split gland-ring is designed to slip onto the conduit quickly and to grip the jacket of the conduit, speeding installation, assuring a perfect seal, and preventing pullouts
- Malleable iron castings mate with other components perfectly without strain or distortion
- All components are reusable - RACO® liquidtight connectors may be easily disassembled and reused after years of service
- Sealing washer (included) provides a liquidtight seal when terminating the connector in a threadless opening
- Heavy duty locknut included with every RACO® liquidtight connector assures continuity of ground
- All metallic components are zinc electro plated for added corrosion protection

**BODIES**

- 3/8” to 4” Malleable Iron

**NUTS**

- 3/8” to 1” Steel, 1-1/4” to 4” Malleable Iron

**COMPLIANCES**

- - Standard 514B  
U L LISTED E195969
- - C22.2 #18

CATALOG NUMBER	TRADE SIZE	UNIT CARTON QTY.	SHIP CARTON QTY.	GROUNDING WIRE CAPACITY		UPC BAR CODE
				MINIMUM	MAXIMUM	
<b>90° - Insulated with Ground Lug – Steel/Malleable Iron</b>						
3541-3*	3/8”	—	25	#14 SOL.	#4 STR.	—
3542-3	1/2”	—	25	#14 SOL.	#4 STR.	—
3543-3	3/4”	—	25	#14 SOL.	#4 STR.	—
3544-3	1”	—	10	#14 SOL.	#4 STR.	—
3545-3	1-1/4”	—	10	#14 SOL.	#4 STR.	—
3546-3	1-1/2”	—	5	#14 SOL.	#4 STR.	—
3548-3	2”	—	5	#14 SOL.	#4 STR.	—
3550-3	2-1/2”	—	1	#14 SOL.	#4 STR.	—
3552-3	3”	—	1	#14 SOL.	#4 STR.	—
3556-3	4”	—	1	#14 STR.	#4 STR.	—

\* 1/2” Trade size hub



SEALING WASHERS - STEEL



Sealing Washers\*

CATALOG NUMBER	TRADE SIZE	UNIT CARTON QTY.	SHIP CARTON QTY.	UPC BAR CODE
<b>Sealing Washers* – Steel</b>				
2452	1/2"	50	100	—
2452-8	1/2"	2 per bag	25 bags of 2	
2453	3/4"	25	50	—
2453-8	3/4"	2 per bag	20 bags of 2	
2454	1"	25	50	—
2454-8	1"	2 per bag	10 bags of 2	
2455	1-1/4"	5	25	—
2456	1-1/2"	5	25	—
2458	2"	5	25	—

\* One-piece steel ring and neoprene gasket, raintight

**APPLICATIONS**

- For use whenever a positive seal is required between the shoulder of a fitting and an enclosure

**PRODUCT FEATURES**

- One piece construction assures proper installation - no need to worry about aligning multiple components
- Steel ring is zinc electro plated for added corrosion protection
- UPC bar coded fittings are individually polybagged with a preprinted UPC-A bar code and packaged in pre-scored tear top cartons for an attractive presentation

**COMPLIANCES**

- - Standard 514B  
U L LISTED E195973
- - C22.2 #18



TYPE B CONNECTORS - NONMETALLIC



**Straight Connectors**  
Nylon - for Type B Conduit

**APPLICATIONS**

- For use in dry or wet locations when the conduit and fittings are not subject to physical damage
- Use Type B conduit and fittings whenever flexibility is required for installation, operation, or maintenance

**PRODUCT FEATURES**

- All gray nonmetallic construction provides superior corrosion resistance
- Each connector is supplied with a Neoprene O-ring and nylon locknut
- UPC bar coded fittings are individually polybagged with a preprinted UPC-A bar code and packaged in pre-scored tear top cartons for an attractive presentation

**COMPLIANCES**

- - Standard 514B
- - C22.2 #18
- NEMA Type 4x, 12 and 13

CATALOG NUMBER	TRADE SIZE	UNIT CARTON QTY.	SHIP CARTON QTY.	UPC BAR CODE
<b>Straight Connectors – Nylon</b>				
4721*	3/8"	—	25	—
4722	1/2"	—	25	—
4722-8	1/2"	1	20	
4723	3/4"	—	25	—
4723-8	3/4"	1	15	
4724	1"	—	10	—
4724-8	1"	1	10	
4725	1-1/4"	—	10	—
4726	1-1/2"	—	5	—
4728	2"	—	5	—

\* 1/2" Trade size hub



SWIVEL-LOK® MULTI POSITION CONNECTORS FOR TYPE B NONMETALLIC CONDUIT - NONMETALLIC



SWIVEL-LOK® Straight Position



SWIVEL-LOK® 90° Position

CATALOG NUMBER	TRADE SIZE	UNIT CARTON QTY.	SHIP CARTON QTY.	UPC BAR CODE
<b>SWIVEL-LOK® Multi-position Connectors – Nylon for Type B Conduit</b>				
4731*	3/8"	—	25	—
4732	1/2"	—	25	—
4732-8	1/2"	1	20	
4733	3/4"	—	25	—
4733-8	3/4"	1	15	
4734	1"	—	10	—
4734-8	1"	1	10	

\* 1/2" Trade size hub

**APPLICATIONS**

- For use in dry or wet locations when the conduit and fittings are not subject to physical damage
- Use Type B conduit and fittings whenever flexibility is required for installation, operation, or maintenance

**PRODUCT FEATURES**

- All gray nonmetallic construction provides superior corrosion resistance
- Each connector is supplied with a Neoprene O-ring and nylon gasket
- SWIVEL-LOK, multi-position connector (trade sizes 3/8" to 1") twists from 0° to 90°, easing installation in difficult locations and eliminating need to stock other angle connectors
- UPC bar coded fittings are individually polybagged with a preprinted UPC-A bar code and packaged in pre-scored tear top cartons for an attractive presentation

**COMPLIANCES**

- - Standard 514B
- - C22.2 #18
- NEMA Type 4x, 12 and 13





CONNECTORS FOR EXTRA FLEXIBLE TUBING - NONMETALLIC



**Straight Connectors**  
Nylon - for Extra Flexible Tubing

**APPLICATIONS**

- For use in dry or wet locations when the conduit and fittings are not subject to physical damage
- Use extra flexible tubing and connectors whenever added flexibility is required for installation, operation, or maintenance

**PRODUCT FEATURES**

- All black nonmetallic construction ends metal fatigue and separation problems and provides superior corrosion resistance
- Each connector is supplied with a Neoprene O-ring and nylon gasket
- SWIVEL-LOK<sup>®</sup>, multi-position connector (trade sizes 3/8" to 1") twists from 0° to 90°, easing installation in difficult locations and eliminating need to stock other angle connectors

**COMPLIANCES**

- - Standard 514B
- - C22.2 #18
- NEMA Type 4x, 12 and 13

CATALOG NUMBER	TRADE SIZE	UNIT CARTON QTY.	SHIP CARTON QTY.	UPC BAR CODE
<b>Straight Connectors – Nylon</b>				
4741*	3/8"	—	25	—
4742	1/2"	—	25	—
4743	3/4"	—	25	—
4744	1"	—	10	—
4745	1-1/4"	—	10	—
4746	1-1/2"	—	5	—
4748	2"	—	5	—

\* 1/2" Trade size hub



**SWIVEL-LOK<sup>®</sup> Straight Position**  
Nylon - for Extra Flexible Tubing



**SWIVEL-LOK<sup>®</sup> 90° Position**  
Nylon - for Extra Flexible Tubing

CATALOG NUMBER	TRADE SIZE	UNIT CARTON QTY.	SHIP CARTON QTY.	UPC BAR CODE
<b>SWIVEL-LOK<sup>®</sup> Multi-position Connectors – Nylon for Extra Flexible Tubing</b>				
4751*	3/8"	—	25	—
4752	1/2"	—	25	—
4753	3/4"	—	25	—
4754	1"	—	10	—

\* 1/2" Trade size hub



STRAIN RELIEF CORD CONNECTORS - STEEL/MALLEABLE IRON



Straight Connectors

CATALOG NUMBER	CABLE RANGE INCHES	UNIT CARTON QTY.	SHIP CARTON QTY.	UPC BAR CODE
<b>Straight Connectors – Steel/Malleable Iron</b>				
<i>1/2" Hubs - Form 1</i>				
3702-1	.125 - .250	—	25	—
3702-2	.250 - .375	—	25	—
3782-2	.250 - .375	1	15	
3702-3	.375 - .425	—	25	—
3702-4	.425 - .500	—	25	—
<i>1/2" Hubs - Form 2</i>				
3702-5	.375 - .500	—	25	—
3782-5	.375 - .500	1	15	
3702-6	.500 - .600	—	25	—
3782-6	.500 - .600	1	15	
<i>3/4" Hubs - Form 3</i>				
3703-1	.250 - .375	—	25	—
3703-2	.375 - .500	—	25	—
3703-3	.500 - .600	—	25	—
3703-4	.600 - .650	—	25	—
3703-6	.650 - .700	—	25	—
3703-5	.700 - .850	—	25	—
<i>1" Hubs - Form 4</i>				
3704-1	.600 - .700	—	25	—
3704-2	.700 - .850	—	25	—
3704-3	.850 - 1.000	—	25	—
<i>1-1/4" Hubs - Form 5</i>				
3705-1	.850 - 1.000	—	25	—
3705-2	1.000 - 1.250	—	25	—
3705-3	1.250 - 1.400	—	25	—
<i>1-1/2" Hubs - Form 6</i>				
3706-1	1.000 - 1.250	—	10	—
3706-2	1.250 - 1.400	—	10	—

**APPLICATIONS**

- For use in dry or wet locations to provide a liquidtight and strain relief termination for flexible cord and cable
- RACO® liquidtight strain relief cord connectors are suitable for use in Class I, Div 2; Class II, Div 1 & 2; and Class III, Div 1 & 2 hazardous locations

**PRODUCT FEATURES**

- All steel/malleable construction provides mechanical strength
- Unique Neoprene grommet design - grommet is forced up and around the cord when the nut is tightened for a positive liquidtight seal
- Washers have size range imprinted for identification - eliminates misidentifying inventory
- Use RACO locknuts and sealing washers to complete a liquidtight installation on a sheet metal box or panel
- All metallic components are zinc electro plated for corrosion protection
- UPC bar coded fittings are individually polybagged with a preprinted UPC-A bar code and packaged in pre-scored tear top cartons for an attractive presentation

**BODIES**

- 3/8" to 1" Steel, 1-1/4" to 1-1/2" Malleable Iron

**NUTS**

- 3/8" to 1" Steel, 1-1/4" to 1-1/2" Malleable Iron

**COMPLIANCE**

-  UL ES  
UL FILE E195973



90° STRAIN RELIEF CORD CONNECTORS - STEEL/MALLEABLE IRON



90° Connectors

**APPLICATIONS**

- For use in dry or wet locations to provide a liquidtight and strain relief termination for flexible cord and cable
- RACO® liquidtight strain relief cord connectors are suitable for use in Class I, Div 2; Class II, Div 1 & 2; and Class III, Div 1 & 2 hazardous locations

**PRODUCT FEATURES**

- All steel/malleable construction provides mechanical strength
- Unique Neoprene grommet design - grommet is forced up and around the cord when the nut is tightened for a positive liquidtight seal
- Washers have size range imprinted for identification - eliminates misidentifying inventory
- Use RACO® locknuts and sealing washers to complete a liquidtight installation on a sheet metal box or panel
- All metallic components are zinc electro plated for corrosion protection

**BODIES**

- 1/2" to 3/4" Malleable Iron

**NUTS**

- 1/2" to 3/4" Steel

**COMPLIANCE**

-  UL FILE E195973

CATALOG NUMBER	CABLE RANGE INCHES	UNIT CARTON QTY.	SHIP CARTON QTY.	UPC BAR CODE
<b>90° Connectors – Malleable Iron</b>				
<i>1/2" Hubs - Form 1</i>				
<b>3792-1</b>	.125 - .250	—	25	—
<b>3792-2</b>	.250 - .375	—	25	—
<b>3792-3</b>	.375 - .425	—	25	—
<b>3792-4</b>	.425 - .500	—	25	—
<i>1/2" Hubs - Form 2</i>				
<b>3792-5</b>	.375 - .500	—	25	—
<b>3792-6</b>	.500 - .600	—	25	—
<i>3/4" Hubs - Form 3</i>				
<b>3793-1</b>	.250 - .375	—	10	—
<b>3793-2</b>	.375 - .500	—	10	—
<b>3793-3</b>	.500 - .600	—	10	—
<b>3793-4</b>	.600 - .650	—	10	—
<b>3793-6</b>	.650 - .700	—	10	—
<b>3793-5</b>	.700 - .850	—	10	—



STRAIN RELIEF CORD CONNECTORS - NONMETALLIC



Straight Connectors  
Nylon

CATALOG NUMBER	CABLE RANGE INCHES	UNIT CARTON QTY.	SHIP CARTON QTY.	UPC BAR CODE
<b>Straight Connectors – Nylon</b>				
<i>1/4" Hubs - Form 1</i>				
4699-5	.312 - .375	—	25	—
<i>3/8" Hubs - Form 1</i>				
4700-5	.312 - .375	—	25	—
4700-6	.375 - .437	—	25	—
<i>1/2" Hubs - Form 2</i>				
4702-1	.062 - .125	—	25	—
4702-3	.187 - .250	—	25	—
4702-4	.250 - .375	—	25	—
4702-5	.375 - .500	—	25	—
4702-6	.500 - .625	—	25	—
<i>3/4" Hubs - Form 3</i>				
4703-1	.375 - .500	—	15	—
4703-2	.500 - .625	—	15	—
4703-3	.625 - .750	—	15	—
4703-4	.750 - .875	—	15	—
<i>1" Hubs - Form 4</i>				
4704-3	.625 - .750	—	10	—
4704-5	.875 - 1.000	—	10	—
4704-6	1.000 - 1.125	—	10	—

**APPLICATIONS**

- For use in dry or wet locations to provide a liquidtight and strain relief termination for flexible cord and cable
- RACO® liquidtight strain relief cord connectors are suitable for use in Class I, Div 2; Class II, Div 1 & 2; and Class III, Div 1 & 2 hazardous locations

**PRODUCT FEATURES**

- Nylon construction is lightweight and easy to use
- Neoprene grommet
- Resists most common industrial corrosives
- Color-coded Gotcha® ring provides fast identification of cord size

DIA. RANGE INCHES	COLOR CODE
.062 - .125	Green
.187 - .250	Red
.250 - .312	Black
.312 - .375	White
.250 - .375	White
.375 - .437	Blue
.375 - .500	Blue
.500 - .625	Brown
.625 - .750	Yellow
.750 - .875	Purple
.875 - 1.000	Gray
1.000 - 1.125	Pink

**COMPLIANCES**

- - Standard 514B
- - C22.2 #18



STRAIGHT STRAIN RELIEF CORD CONNECTORS - ALUMINUM



Straight Connectors

**APPLICATIONS**

- For use in dry or wet locations to provide a liquidtight and strain relief termination for flexible cord and cable
- Aluminum liquidtight strain relief cord connectors are suitable for use in Class I, Div 2; Class II, Div 1 & 2; and Class III, Div 1 & 2 hazardous locations

**PRODUCT FEATURES**

- Aluminum construction provides a corrosion resistant installation
- Patented Gotcha® ring incorporates a split hinge design to prevent friction and to provide strain relief
- Neoprene grommet
- Knurled compression nut allows the fittings to be hand tightened to UL requirements
- Gotcha® ring is color-coded for sizing identification

DIAMETER RANGE	COLOR CODE
.062 - .125	Green
.125 - .187	Orange
.187 - .250	Red
.250 - .312	Black
.312 - .375	White
.250 - .375	White
.375 - .437	Blue
.375 - .500	Blue
.500 - .625	Brown
.625 - .750	Yellow
.750 - .875	Purple
.875 - 1.000	Gray
1.000 - 1.125	Pink

**COMPLIANCES**

- - Standard 514B
- - C22.2 #18

CATALOG NUMBER	CABLE RANGE INCHES	UNIT CARTON QTY.	SHIP CARTON QTY.	UPC BAR CODE
<b>Straight Connectors – Aluminum</b>				
<i>1/2" Hubs - Form 1</i>				
4801-2	.187 - .250	—	25	—
4801-3	.250 - .312	—	25	—
4801-4	.312 - .375	—	25	—
4801-5	.375 - .437	—	25	—
<i>1/2" Hubs - Form 2</i>				
4801-0	.062 - .125	—	25	—
4801-1	.125 - .187	—	25	—
4802-4	.375 - .500	—	25	—
4802-5	.500 - .625	—	25	—
<i>1/2" Hubs - Form 3</i>				
4802-8	.625 - .750	—	15	—
4802-9	.750 - .875	—	15	—
<i>3/4" Hubs - Form 2</i>				
4803-2	.187 - .250	—	25	—
4803-3	.250 - .375	—	25	—
4803-4	.375 - .500	—	25	—
4803-5	.500 - .625	—	25	—
<i>3/4" Hubs - Form 3</i>				
4803-8	.625 - .750	—	15	—
4803-9	.750 - .875	—	15	—
<i>1" Hubs - Form 4</i>				
4804-0	.375 - .500	—	10	—
4804-1	.500 - .625	—	10	—
4804-2	.625 - .750	—	10	—
4804-3	.750 - .875	—	10	—
4804-4	.875 - 1.000	—	10	—
4804-5	1.000 - 1.250	—	10	—



STRAIGHT SQUEEZE CONNECTORS - MALLEABLE IRON



Straight Squeeze Connectors  
Insulated



Straight Squeeze Connectors  
Uninsulated

CATALOG NUMBER	TRADE SIZE	UNIT CARTON QTY.	SHIP CARTON QTY.	UPC BAR CODE
<b>Straight Squeeze Connector, Insulated – Malleable Iron</b>				
3301	3/8"*	—	50	—
3302	1/2"	—	50	—
3302-8	1/2"	1	25	
3303	3/4"	—	25	—
3303-8	3/4"	1	20	
3304	1"	—	25	—
3304-8	1"	1	5	
3305	1-1/4"	—	25	—
3306	1-1/2"	—	25	—
3308	2"	—	10	—
3310	2-1/2"	—	1	—
3312	3"	—	1	—
3314	3-1/2"	—	1	—
3316	4"	—	1	—
<b>Straight Squeeze Connector, Uninsulated – Malleable Iron</b>				
2101	3/8"*	—	50	—
2102	1/2"	—	50	—
2102-8	1/2"	1	25	
2103	3/4"	—	25	—
2103-8	3/4"	1	20	
2104	1"	—	25	—
2104-8	1"	1	5	
2105	1-1/4"	—	25	—
2106	1-1/2"	—	25	—
2108	2"	—	10	—
2110	2-1/2"	—	1	—
2112	3"	—	1	—
2114	3-1/2"	—	1	—
2116	4"	—	1	—

**APPLICATIONS**

- For use in dry locations to bond flexible metal conduit to a box or enclosure

**PRODUCT FEATURES**

- All malleable construction insures mechanical protection for the raceway
- Electro zinc plated for added corrosion protection
- UPC bar coded fittings are individually polybagged with a preprinted UPC-A bar code and packaged in pre-scored tear top cartons for an attractive presentation

**COMPLIANCE**

-  UL Listed E195969

\* For 1/2" knockout



DOUBLE BITE SADDLE CONNECTORS - MALLEABLE IRON/STEEL



Insulated Straight Connectors



90° Insulated Connectors

**APPLICATIONS**

- Use 3/8" - 1" RACO® Double Bite Saddle Connectors in dry locations to connect flexible metal conduit, MCI, MCI-A and AC cable to a box or enclosure
- Use 1-1/4" to 4" in dry locations to connect flexible metal conduit to a box or enclosure

**PRODUCT FEATURES**

- Straight connectors have all steel construction that ensures mechanical protection for raceways
- Straight connectors available in 3/8" to 4" trade sizes
- 90° connectors have malleable iron and steel construction for added strength
- 90° connectors available in 3/8" to 1" trade sizes
- Dual saddle clamp ensures proper conduit and cable connection for raceway
- Zinc plated for corrosion resistant installation
- Tri-head screw/clamp design - connectors can be installed by using a slotted, Phillips or Robertson head screwdriver
- Insulated throats on all DOUBLE BITE connectors provide maximum wire protection

**COMPLIANCES**

- - Standard 514B  
UL Listed E195966
- NEMA FB-1

CATALOG NUMBER	TRADE SIZE	UNIT CARTON QTY.	SHIP CARTON QTY.	UPC BAR CODE
<b>Straight DOUBLE BITE Saddle Connectors – Steel</b>				
3301DB	3/8"	—	50	—
3302DB	1/2"	—	25	—
3303DB	3/4"	—	10	—
3304DB	1"	—	5	—
3305DB	1-1/4"	—	5	—
3306DB	1-1/2"	—	5	—
3308DB	2"	—	1	—
3310DB	2-1/2"	—	1	—
3312DB	3"	—	1	—
3314DB	3-1/2"	—	1	—
3316DB	4"	—	1	—
<b>90° DOUBLE BITE Saddle Connectors – Steel/Malleable Iron</b>				
3201DB	3/8"	—	50	—
3202DB	1/2"	—	25	—
3203DB	3/4"	—	10	—
3204DB	1"	—	5	—



90° SQUEEZE CONNECTORS - MALLEABLE IRON



90° Squeeze Connectors  
Insulated



90° Squeeze Connectors  
Uninsulated

INSULATED CATALOG NUMBER	UNINSULATED CATALOG NUMBER	TRADE SIZE	UNIT CARTON QTY.	SHIP CARTON QTY.	UPC BAR CODE
<b>90° Squeeze Connector, Insulated and Uninsulated – Malleable Iron</b>					
3201	2201	3/8"*	—	50	—
3202	—	1/2"	—	25	—
—	2202	1/2"	25	100	—
3202-8	2202-8	1/2"	1	25	
3203	2203	3/4"	—	25	—
3203-8	2203-8	3/4"	1	20	
3204	2204	1"	—	25	—
—	2204-8	1"	1	5	
3205	2205	1-1/4"	—	10	—
3206	2206	1-1/2"	—	5	—
3208	2208	2"	—	5	—
3210	2210	2-1/2"	—	1	—
3212	2212	3"	—	1	—
3214	2214	3-1/2"	—	1	—
3216	2216	4"	—	1	—

\* For 1/2" knockout

**APPLICATIONS**

- For use in dry locations to bond flexible metal conduit to a box or enclosure

**PRODUCT FEATURES**

- All malleable construction insures mechanical protection for the raceway
- Electro zinc plated for added corrosion protection
- UPC bar coded fittings are individually polybagged with a preprinted UPC-A bar code and packaged in pre-scored tear top cartons for an attractive presentation

**INSULATED AND UNINSULATED COMPLIANCE**

-  UL Listed E195969





STRAIGHT SQUEEZE CONNECTORS - DIE CAST ZINC



Straight Squeeze Uninsulated

APPLICATIONS

- For use in dry locations to bond flexible metal conduit to a box or enclosure

PRODUCT FEATURES

- Rugged metallic construction insures mechanical protection for the raceway

COMPLIANCES

- - Standard 514B  
U L LISTED E195969
- - C22.2 #18 (2191 - 2198)

CATALOG NUMBER	TRADE SIZE	UNIT CARTON QTY.	SHIP CARTON QTY.	UPC BAR CODE
<b>Straight Squeeze - Uninsulated – Die Cast Zinc</b>				
2191	3/8"*	50	500	—
2192	1/2"	25	250	—
2193	3/4"	25	250	—
2194	1"	10	100	—
2195RAC	1-1/4"	10	100	—
2196RAC	1-1/2"	5	50	—
2198	2"	10	40	—

\* For 1/2" knockout

45° AND 90° SQUEEZE CONNECTORS - DIE CAST ZINC



45° Squeeze Connectors Uninsulated



90° Squeeze Connectors Uninsulated

APPLICATIONS

- For use in dry locations to bond flexible metal conduit to a box or enclosure

PRODUCT FEATURES

- Rugged metallic construction insures mechanical protection for the raceway

COMPLIANCES

- - Standard 514B (2691 - 2698)  
U L FILE E195969
- - C22.2 #18 (2691 - 2698)
- - (2221 - 2222)

CATALOG NUMBER	TRADE SIZE	UNIT CARTON QTY.	SHIP CARTON QTY.	UPC BAR CODE
<b>45° Squeeze Connector, Uninsulated – Malleable Iron - Die Cast Zinc</b>				
2221	3/8"*	—	25	—
2222	1/2"	—	25	—
<b>90° Squeeze Connector, Uninsulated – Die Cast Zinc</b>				
2691	3/8"*	50	500	—
2692	1/2"	25	250	—
2693	3/4"	10	100	—
2694	1"	5	50	—
2695	1-1/4"	10	40	—
2696	1-1/2"	—	5	—
2698	2"	—	5	—

\* For 1/2" knockout



SCREW-IN TYPE CONNECTORS AND COUPLINGS - DIE CAST ZINC



Uninsulated Screw-In Connectors



Screw-In Couplings

CATALOG NUMBER	TRADE SIZE	UNIT CARTON QTY.	SHIP CARTON QTY.	UPC BAR CODE
<b>Connectors - Screw-in – Die Cast Zinc</b>				
2281	3/8"*	50	500	—
2282	1/2"	50	500	—
2283	3/4"	25	250	—
<b>Couplings - Screw-in – Die Cast Zinc</b>				
2272	1/2"	50	500	—
2273	3/4"	25	250	—

\* 1/2" Trade size hub

**APPLICATIONS**

- For use in dry locations to bond flexible metal conduit to a box or enclosure

**PRODUCT FEATURES**

- Rugged metallic construction insures mechanical protection for the raceway

**COMPLIANCES**

- - Standard 514B  
U L LISTED E195969
- - C22.2 #18

SET SCREW CONNECTORS - DIE CAST ZINC



2511  
Set Screw Connector



2632  
Set Screw Connector

CATALOG NUMBER	TRADE SIZE	UNIT CARTON QTY.	SHIP CARTON QTY.	UPC BAR CODE
<b>Set Screw Connector – Die Cast Zinc</b>				
2511	3/8"*	100	1000	—
2632	1/2"	25	250	—

\* For 1/2" knockout

**APPLICATIONS**

- For use in dry locations to bond flexible metal conduit to a box or enclosure

**PRODUCT FEATURES**

- Rugged metallic construction insures mechanical protection for the raceway

**COMPLIANCES**

- - Standard 514B  
U L FILE E195969
- - C22.2 #18



CLAMP TYPE CONNECTORS AND DUPLEX CONNECTORS - DIE CAST ZINC



Clamp Type Connector



Duplex Connector

**APPLICATION**

- For use in dry locations to bond flexible metal conduit to a box or enclosure

**PRODUCT FEATURE**

- Rugged metallic construction insures mechanical protection for the raceway

**COMPLIANCES**

- - Standard 514B  
U L FILE E195969
- - C22.2 #18

**APPLICATIONS**

- For use when coupling flexible metal conduit to rigid/MC conduit
- Use RACO® Cat. Nos. 1552 - 1554 when coupling threaded rigid/IMC conduit to flexible metal conduit

**PRODUCT FEATURES**

- Rugged metallic construction insures mechanical protection
- Steel/malleable components are electro zinc plated for added corrosion protection

**COMPLIANCE**

UL FILE E195969

- 

**FLEX - EMT APPLICATION**

- For use when coupling flexible metal conduit to EMT conduit

**PRODUCT FEATURES**

- Rugged metallic construction insures mechanical protection
- Steel/malleable components are electro zinc plated for added corrosion protection
- UPC bar coded fittings are individually polybagged with a preprinted UPC-A bar code and packaged in pre-scored tear top cartons for an attractive presentation

**COMPLIANCES**

- - Standard 514B
- - C22.2 #18

CATALOG NUMBER	TRADE SIZE	UNIT CARTON QTY.	SHIP CARTON QTY.	UPC BAR CODE
<b>Clamp Type Connector – Die Cast Zinc</b>				
2661	3/8"*	100	1000	—
<b>Duplex Connector – Die Cast Zinc</b>				
2611	3/8"*	25	250	—

\* For 1/2" knockout

COMBINATION COUPLINGS - MALLEABLE IRON



Flex - Rigid Couplings

CATALOG NUMBER	TRADE SIZE	UNIT CARTON QTY.	SHIP CARTON QTY.	UPC BAR CODE
<b>Flex to Rigid Couplings – Malleable Iron</b>				
1552	1/2"	25	100	—
1553	3/4"	—	25	—
1554	1"	—	25	—



Flex - EMT Squeeze Couplings

CATALOG NUMBER	FLEX SIZE	EMT SIZE	UNIT CARTON QTY.	SHIP CARTON QTY.	UPC BAR CODE
<b>Flex-EMT Squeeze Couplings – Malleable Iron</b>					
1941*	3/8"	1/2"	—	25	—
1942	1/2"	1/2"	—	25	—
1942-8	1/2"	1/2"	1	25	
1943	3/4"	3/4"	—	25	—
1943-8	3/4"	3/4"	1	20	

\* Not UL Listed



## COMBINATION COUPLINGS - DIE CAST ZINC



Flex - EMT Screw-In/Compression Couplings

CATALOG NUMBER	FLEX SIZE	EMT SIZE	UNIT CARTON QTY.	SHIP CARTON QTY.	UPC BAR CODE
<b>Flex-EMT Couplings, Screw-In/Compression – Die Cast Zinc</b>					
1482	1/2"	1/2"	50	500	—
1483	3/4"	3/4"	25	250	—
1484	1"	1"	25	250	—

### COMBINATION COUPLINGS APPLICATIONS

- For use when coupling flexible metal conduit to EMT conduit
- Use RACO® Cat. Nos. 1482 - 1484 when coupling flexible metal conduit to EMT conduit

### PRODUCT FEATURE

- Rugged metallic construction insures mechanical protection

### COMPLIANCES

- - Standard 514B
- - C22.2 #18

## NAIL-UP STRAPS



Nail-Up Straps

CATALOG NUMBER	TRADE SIZE	UNIT CARTON QTY.	SHIP CARTON QTY.	UPC BAR CODE
<b>Nail-Up Straps – Steel</b>				
2252	3/8" *	100	1000	—
2253	1/2" **	100	1000	—

### NAIL-UP STRAPS APPLICATION

- For use in mounting flexible metal conduit, armored cable, and MC cable

### PRODUCT FEATURE

- Stamped steel straps are pregalvanized for added corrosion protection

### NAIL-UP STRAPS COMPLIANCE

- 

\* For 3/8" flexible metal conduit. Also suitable for AC and MC cable.

\*\* For 1/2" flexible metal conduit. Also suitable for AC and MC cable.

## BUSHINGS



Anti-short Bushings

CATALOG NUMBER	TRADE SIZE	UNIT CARTON QTY.	SHIP CARTON QTY.	UPC BAR CODE
<b>Anti-short Bushings – Plastic</b>				
1440B35	5/16"	35	10 bags of 35	
1441B35	3/8"	35	10 bags of 35	
1447B35	7/16"	35	5 bags of 35	
1442B20	1/2"	20	5 bags of 20	
1443B16	3/4"	16	4 bags of 16	

### ANTI-SHORT BUSHINGS APPLICATION

- Anti-short bushings are for use with Armored cable and Flexible Metal Conduit. The bushings protect the conductors during pulling from sharp cut ends of the conduit.

### PRODUCT FEATURES

- Easy to use - just insert into the end of the conduit
- Lightweight, one-piece plastic construction resists corrosion
- Economical solution for preventing costly damage



UNINSULATED CONNECTORS - DIE CAST ZINC



Set Screw Connector



Clamp Type Connector



Squeeze Type Connector

**APPLICATIONS**

- For use in dry locations to bond armored cable to a box or enclosure

**PRODUCT FEATURES**

- Rugged metallic construction insures mechanical protection for the raceway

**COMPLIANCES**

- - Standard 514B  
UL Listed E195969 (excludes 2191)
- - C22.2 #18

CATALOG NUMBER	TRADE SIZE	UNIT CARTON QTY.	SHIP CARTON QTY.	UPC BAR CODE
<b>Set Screw Connector – Die Cast Zinc</b>				
2511 <sup>①</sup>	3/8"	100	1000	—
<b>Clamp Type Connector – Die Cast Zinc</b>				
2661 <sup>①</sup>	3/8"	100	1000	—
<b>Squeeze Type Connector – Die Cast Zinc</b>				
2191 <sup>②</sup>	3/8"	50	500	—
2192	1/2"	25	250	—
2193	3/4"	25	250	—
2194	1"	10	100	—

<sup>①</sup> For 1/2" knockout. 1/2" Hub size suitable for use with steel armored cable sizes 2#14, 3#14, 2#12, 3#12, 2#10 and 3#10 all with ground wire.

<sup>②</sup> For 1/2" knockout. Suitable for use with steel armored cable and flexible metal conduit.



90° CONNECTORS - MALLEABLE IRON



90° Squeeze Connectors Insulated



90° Squeeze Connectors Uninsulated

CATALOG NUMBER	TRADE SIZE	UNIT CARTON QTY.	SHIP CARTON QTY.	UPC BAR CODE
<b>90° Squeeze Connectors, Insulated Throat – Malleable Iron</b>				
3201	3/8" *	—	50	—
3202	1/2"	—	25	—
3202-8	1/2"	1	25	
3203	3/4"	—	25	—
3203-8	3/4"	1	20	
<b>90° Squeeze Connectors, Uninsulated Throat – Malleable Iron</b>				
2201	3/8" *	—	50	—
2202	1/2"	25	100	—
2202-8	1/2"	1	25	
2203	3/4"	—	25	—
2203-8	3/4"	1	20	

**APPLICATION**

- For use in dry locations to bond armored cable to a box or enclosure

**PRODUCT FEATURES**

- Rugged metallic construction insures mechanical protection for the raceway
- UPC bar coded fittings are individually polybagged with a preprinted UPC-A bar code and packaged in pre-scored tear top cartons for an attractive presentation

**COMPLIANCE**

- - UL Listed E195969 (excludes 3201)

90° AND DUPLEX CONNECTORS - DIE CAST ZINC



90° Squeeze Type Connector Uninsulated



Duplex Connector

CATALOG NUMBER	TRADE SIZE	UNIT CARTON QTY.	SHIP CARTON QTY.	UPC BAR CODE
<b>90° Squeeze Type Connector, Uninsulated – Die Cast Zinc</b>				
2691	3/8" *	50	500	—
2692	1/2"	25	250	—
2693	3/4"	10	100	—
<b>Duplex Connector – Die Cast Zinc</b>				
2611	3/8" *	25	250	—

**APPLICATIONS**

- For use in dry locations to bond armored cable to a box or enclosure

**PRODUCT FEATURES**

- Rugged metallic construction insures mechanical protection for the raceway

**COMPLIANCES**

- - Standard 514B  
UL Listed E195969
- - C22.2 #18

\* For 1/2" knockout



BUSHINGS



Anti-short Bushings

APPLICATIONS

- Anti-short bushings are for use with Armored cable and Flexible Metal Conduit. The bushings protect the conductors during pulling from sharp cut ends of the conduit.

PRODUCT FEATURES

- Easy to use - just insert into the end of the conduit
- Lightweight, one-piece plastic construction resists corrosion
- Economical solution for preventing costly damage

CATALOG NUMBER	TRADE SIZE	UNIT CARTON QTY.	SHIP CARTON QTY.	UPC BAR CODE
<b>Anti-short Bushings – Plastic</b>				
1440B35	5/16"	35	10 bags of 35	
1441B35	3/8"	35	10 bags of 35	
1447B35	7/16"	35	5 bags of 35	
1442B20	1/2"	20	5 bags of 20	
1443B16	3/4"	16	4 bags of 16	

STRAP - STEEL



One Hole Strap

APPLICATIONS

- For use in mounting MC and AC cables in dry locations

PRODUCT FEATURES

- All steel construction ensures mechanical protection
- Zinc electro plated for corrosion protection

CATALOG NUMBER	TRADE SIZE	UNIT CARTON QTY.	SHIP CARTON QTY.	UPC BAR CODE
<b>One Hole Strap – Steel</b>				
<b>NEW</b> 2081	3/8"	100	1000	—



REDI-LOC® CONNECTORS - STEEL



2700, 2700-8, 2700AJ,  
2700AJ-8, 2701, 2701-8



2720, 2720AJ



2715

CATALOG NUMBER	TRADE SIZE	CABLE SIZE	UNIT CRTN. QTY.	SHIP CRTN. QTY.	UPC BAR CODE
<b>REDI-LOC® Cable Connectors — Steel and Nylon (Bushing)</b>					
2700	1/2"	MCI: AL: .434 - .530, MCI: Steel .400 - .530,	50	500	—
2700-8	1/2"	MCI-A: Steel (.440 - .510), AC: Steel/AL: 14-2 (.400) to 12-3	1	25	IIIIIIII
2700AJ	1/2"	MCI: Steel/AL: .475 - .575, MCI-A: AL .430 - .560	50	500	—
2700AJ-8	1/2"	MCI-A: Steel .470 - .540, AC: Steel/AL: 14-2 to 12-4 (.475 - .575)	1	25	IIIIIIII
2701	3/4"	MCI: AL: .590 - .680, MCI: Steel .565 - .659,	25	250	—
2701-8	3/4"	AC: Steel/AL: 10-3 to 8-3 (.590)	1	20	IIIIIIII
<b>REDI-LOC® II Cable Connectors — Steel and Nylon (Bushing)</b>					
2720	1/2"	AC: AL: 14-2 to 12-2 AC: Steel 14-2 to 12-3, MC: MCI: Steel/AL: 14-2 to 12-3, MCI-A: AL: 14-2 to 10-2 HCF: AL: 12-2 to 10-2 CABLE RANGE DIA.: .370" Dia. min. to .520" max.	50	500	—
2720AJ	1/2"	AC: Steel & AL 14-3 to 10-3, MC: MCI: Steel/AL: 12-2 to 10-3, MCI-A: Steel/AL: 12-3 to 10-3 HCF: AL: 12-3 to 10-3, 3/8" RWF MC: Steel/AL: CABLE RANGE DIA.: .460" Dia. min. to .600" max.	50	500	—
<b>REDI-LOC® Duplex Cable Connector — Steel and Nylon (Bushing)</b>					
2715	1/2"	MCI: AL: 450 - .545, MCI: Steel .425 - .550, MCC: AL: .380 - .550, MCC: AC: 14-1 to 12-3 w/Grnd., Alum. and Steel	25	250	—

APPLICATIONS

- RACO® REDI-LOC® metal-clad cable connector is designed for use in dry locations for connecting MCI, MCI-A, AC and HCF cable into a box or enclosure
- RACO® REDI-LOC® II is used to terminate and secure MC, MCI, MCI-A and armored cable into a 1/2" knockout

PRODUCT FEATURES

- No tools needed to assemble to end of cable or to install into box or enclosure
- Preassembled anti-short bushing will not fall out during installation
- Easy installation - push the cable into the fitting, push connector into the box or enclosure
- Can be removed without tools and is reusable
- Rugged one piece design
- Fits all standard 1/2" knockouts
- Made from steel, and nylon (bushing)
- Zinc electroplated for corrosion protection
- Tri-lingual (English, Spanish and French installation instructions included in each unit carton)
- UPC bar coded fittings are individually polybagged with a preprinted UPC A bar code and packaged in prescored tear top cartons for an attractive presentation

US Patent 5,731,543 (REDI-LOC)

US Patent Pending (REDI-LOC II)

APPLICATIONS

- RACO® REDI-LOC® Duplex connectors are for use in dry locations to connect MCI, MCI-A, AC and HCF cable to a box or enclosure

PRODUCT FEATURES

- Tri-head screw/clamp design can accommodate two runs of MCI, AC and HCF cable. Connector can be installed by using a slotted, Phillips or Robertson head screw-driver.
- Reusable design - installation can be reversed just as easily as it was originally installed

- Preassembled anti-short bushing will not fall out during installation
- Made from steel, and nylon (bushing)
- Zinc electroplated for corrosion protection
- Tri-lingual (English, Spanish and French installation instructions included in each unit carton)

COMPLIANCE (ALL)

- FILE E195966

US Patents 6,034,326 and 6,020,557





CONNECTORS - SCREW TYPE STEEL



Connector


**APPLICATIONS**

- For use in dry locations for connecting MCI, MCI-A (2800 only), AC, and HCF cable into a box or enclosure

**PRODUCT FEATURES**

- Easy to install, just tilt, insert and snap down
- Tri-head screw/clamp design - connector can be installed by using a slotted, Phillips or Robertson head screwdriver
- Integral insuliner provides maximum wire protection
- Durable all-steel construction
- Zinc electroplated for corrosion protection

**COMPLIANCE**

-  LISTED  
UL Listed E195966

CATALOG NUMBER	TRADE SIZE	UNIT CARTON QTY.	SHIP CARTON QTY.	UPC BAR CODE
<b>Cable Connector – Steel</b>				
2800	1/2"	50	500	—
2801	3/4"	25	250	—

SELECTION CHART		
CABLE TYPE	2800 - 1/2" KO	2801 - 3/4" KO
AC Steel	14-2, 14-3, 14-4, 12-2, 12-3, 12-4, 10-2, 10-3	10-4, 10-5, 8-3, 8-4, 6-3
HCF Steel	14-2, 14-3, 12-2, 12-3, 10-2	—
AC Aluminum	14-2, 14-3, 14-4, 12-2, 12-3, 12-4	10-4, 8-3, 8-4
MCI Steel	14-2, 14-3, 14-4, 12-2, 12-3, 12-4, 10-2	10-3, 10-4, 8-2, 8-3
MCI Aluminum	14-2, 14-3, 14-4, 12-2, 12-3, 12-4, 10-2	10-3, 10-4, 8-2
MC Aluminum	14-3, 14-4, 12-2, 12-3, 12-4, 10-2, 10-3	—
MCI-A Aluminum	12-8, 10-3, 10-4, 10-6	—



CLAMP TYPE AND DUPLEX CONNECTORS - DIE CAST ZINC



Clamp Type Connector



Duplex Connector

**APPLICATIONS**

- For use in dry locations to connect MC/MCI cable to a box or enclosure

**PRODUCT FEATURES**

- Rugged metallic construction insure mechanical protection for the raceway

**COMPLIANCES**

- - Standard 514B  
UL Listed E195969
- - C22.2 #18

CATALOG NUMBER	TRADE SIZE	UNIT CARTON QTY.	SHIP CARTON QTY.	UPC BAR CODE
<b>Clamp Type Cable Connector – Die Cast Zinc</b>				
2661	3/8" *	100	1000	—
<b>Duplex Cable Connector – Die Cast Zinc</b>				
2611	3/8" *	25	250	—

\* For 1/2" knockout

**1/2" HUB SIZE FOR MC CABLE - SELECTION CHART**

CLAMP TYPE - Part No. 2661	DIAMETER
Regular Aluminum Corrugated	.277" - .375"
Aluminum Corrugated	.365" - .510"
Aluminum Smooth	.345" - .525"
Aluminum Interlocked	.455" - .575"
Steel Interlocked	.435" - .547"
<b>DUPLEX - Part No. 2611</b>	
Aluminum Smooth	.410" - .500"
Aluminum Interlocked	.460" - .538"
Steel Interlocked	.438" - .560"



METAL CLAD CABLE CONNECTORS



DOUBLE BITE SADDLE CONNECTORS - MALLEABLE IRON/STEEL



Straight Connectors Insulated



90° Connectors Insulated

APPLICATIONS

- Use 3/8" - 1" RACO® Double Bite Saddle Connectors in dry locations to connect flexible metal conduit, MCI, MCI-A and AC cable to a box or enclosure
- Use 1-1/4" to 4" in dry locations to connect flexible metal conduit to a box or enclosure

PRODUCT FEATURES

- Straight connectors have all steel construction that ensures mechanical protection for raceways
- Straight connectors available in 3/8" to 4" trade sizes
- 90° connectors have malleable iron and steel construction for added strength
- 90° connectors available in 3/8" to 1" trade sizes
- Dual saddle clamp ensures proper conduit and cable connection for raceway
- Zinc plated for corrosion resistant installation
- Tri-head screw/clamp design - connectors can be installed by using a slotted, Phillips or Robertson head screwdriver
- Insulated throats on all DOUBLE BITE connectors provide maximum wire protection

COMPLIANCES

- - Standard 514B  
UL Listed E195966
- NEMA FB-1

CATALOG NUMBER	TRADE SIZE	UNIT CARTON QTY.	SHIP CARTON QTY.	UPC BAR CODE
<b>Straight DOUBLE BITE Saddle Connectors – Steel</b>				
3301DB	3/8"	—	50	—
3302DB	1/2"	—	25	—
3303DB	3/4"	—	10	—
3304DB	1"	—	5	—
3305DB	1-1/4"	—	5	—
3306DB	1-1/2"	—	5	—
3308DB	2"	—	1	—
3310DB	2-1/2"	—	1	—
3312DB	3"	—	1	—
3314DB	3-1/2"	—	1	—
3316DB	4"	—	1	—
<b>90° DOUBLE BITE Saddle Connectors – Steel/Malleable Iron</b>				
3201DB	3/8"	—	50	—
3202DB	1/2"	—	25	—
3203DB	3/4"	—	10	—
3204DB	1"	—	5	—

		ARMORED CABLES	METAL CLAD CABLES	MCI-A CABLES	FEFMC
		STEEL & ALUMINUM	STEEL & ALUMINUM		
3201DB	3/8"	14-2, 14-3, 14-4, 12-2, 12-3,	14-2, 14-3, 14-4, 12-2, 12-3,	12-2, 12-3, 12-4, 12-6, 12-8,	
3301DB	3/8"	12-4, 10-2, .450-.660	12-4, 10-2, .450-.660	10-3, 10-4, .400-.590	
3202DB	1/2"	12-4, 10-2, 10-3, 10-4, 8-2,	10-2, 10-3, 10-4, 8-2, 8-3,	12-6, 12-8	
3302DB	1/2"	8-3, 8-4, 6-2, 6-3, .550-.920	.640-.920	.520-.620	
3203DB	3/4"	AL: 8-3, 8-4, 6-2, 6-3, 6-4,	AL: 6-4, 4-3, 3-3, .930-1.075		
3303DB	3/4"	4-2, 4-3, .680-1.075 ST: 6-4, 4-2, 4-3, .930-1.075	ST: 8-3, 8-4, 6-2, 6-3, 6-4, 4-3, 3-3, .730-1.075		
3204DB	1"	6-4, 4-3, 4-4, 3-2, 3-3, 2-3,	6-4, 4-3, 4-4, 3-3, 3-4,		
3304DB	1"	2-4, 1-3, 1-4, .930-1.468	.960-1.468		
3305DB	1-1/4"				1-1/4"
3306DB	1-1/2"				1-1/2"
3308DB	2"				2"
3310DB	2-1/2"				2-1/2"
3312DB	3"				3"
3314DB	3-1/2"				3-1/2"
3316DB	4"				4"



STRAP - STEEL



One Hole Strap

**APPLICATIONS**

- For use in mounting MC and AC cables in dry locations

**PRODUCT FEATURES**

- All steel construction ensures mechanical protection
- Zinc electro plated for corrosion protection

CATALOG NUMBER	TRADE SIZE	UNIT CARTON QTY.	SHIP CARTON QTY.	UPC BAR CODE
<b>One Hole Strap – Steel</b>				
<b>NEW</b> 2081	3/8"	100	1000	—



THE INSIDER® CONNECTOR - THERMOPLASTIC



4714  
THE INSIDER®

**APPLICATIONS**

- Use THE INSIDER® in dry locations to connect one or two runs of Nonmetallic Sheathed Cable (NMSC) to a box

**PRODUCT FEATURES**

- Installs from inside the box - The unique design allows the installer to run the NMSC through the knockout to the desired length before snapping the connector into the knockout. No need to cut an oversized hole for an old work box and connector installation
- The only NMSC connector that is UL tested for use with an eccentric knockout
- Accepts single and dual runs of NMSC and accommodates one of the widest ranges of NMSC combinations in the industry. No need to stock any other connector
- Snap-in locking tab design secures THE INSIDER into the removed 1/2" knockout securely
- One piece nonmetallic construction - made of tough engineered thermoplastic and can be use in exposed and concealed ceilings and walls. Resists corrosion and offers insulation protection.
- Can be easily removed by pushing one of the locking wing tabs with a screwdriver

**COMPLIANCE**

-  LISTED  
UL FILE E195971  
US Patent 7,211,744

CATALOG NUMBER	TRADE SIZE	UNIT CARTON QTY.	SHIP CARTON QTY.	UPC BAR CODE
<b>Nonmetallic Sheathed Cable Connector — Thermoplastic</b>				
4714	1/2"	100	1000	—

THE INSIDER® — Information	
SINGLE	TWO CABLE COMBINATIONS
14-2 /with Ground	(2) 14-2 with Ground, (1) 14-2 with Ground & (1) 12-2 with Ground
14-3 /with Ground	
12-2 /with Ground	(2) 12-2 with Ground, (1) 12-2 with Ground & (1) 10-2 with Ground
12-3 /with Ground	
10-2 /with Ground	(1) 14-2 with Ground, & (1) 10-2 with Ground
10-3 /with Ground	



**Step 1: Easy Installation** - Remove desired knockout. Insert THE INSIDER into the knockout from inside the box.



**Step 2: Done**



**Easy Removal** - Push the wing tab of the connector with a screwdriver. Push the connector through the knockout towards the inside of the box.



**Large Cable** - For two cable installations insert the cables through the connector together or one by one. Ideal for circuit breaker panel use.



CLAMP TYPE - DIE CAST ZINC



Clamp Type Connectors

CATALOG NUMBER	TRADE SIZE	CABLE SIZE	UNIT CRTN. QTY.	SHIP CRTN. QTY.	UPC BAR CODE
<b>Clamp Type Cable Connector – Die Cast Zinc</b>					
2711	1/2"	2 #14, 2#10, 3 #14 or 3 #12 - with or without Ground	100	1000	—
2863	3/4"	3 #12, 3 #10, 2 #8	50	500	—
2864	1"	4 #12, 3 #12, 4 #10, 3 #10, 3 #8, 2 #8, 2 #6, 2 #4	25	250	—
2661	3/8" *	See Chart Below	100	1000	—

\* For 1/2" knockout

**1/2" HUB SIZE FOR MC CABLE - SELECTION CHART**

CLAMP TYPE - Part No. 2661	DIAMETER
Regular Aluminum Corrugated	.277" - .375"
Aluminum Corrugated	.365" - .510"
Aluminum Smooth	.345" - .525"
Aluminum Interlocked	.455" - .575"
Steel Interlocked	.435" - .547"

**APPLICATIONS**

- For use in dry locations to connect Nonmetallic Sheathed Cable (NMSC) to a box or enclosure

**PRODUCT FEATURES**

- Rugged metallic construction will last the lifetime of the installation

**COMPLIANCES**

- - Standard 514B  
UL Listed E195972
- - C22.2 #18



SERVICE ENTRANCE HEADS - ALUMINUM



Clamp Type for Rigid/IMC or EMT

Clamp Type for SEU Cable

**APPLICATION**

- For use to bring overhead electrical service into buildings

**PRODUCT FEATURES**

- Lightweight aluminum body construction eases installation and provides corrosion resistance
- Plastic insulator snaps out easily for quick cable insertion

**COMPLIANCE**

- - Standard 514B  
U L Listed E195972, E195973

CATALOG NUMBER	TRADE SIZE	UNIT CARTON QTY.	SHIP CARTON QTY.	UPC BAR CODE
<b>Entrance Heads, Clamp Type for Rigid/IMC or EMT – Aluminum</b>				
2402	1/2"	—	10	
2403	3/4"	—	10	
2404	1"	—	5	
2405	1-1/4"	—	10	
2406	1-1/2"	—	5	
2408	2"	—	5	
2410	2-1/2"	—	1	
2412	3"	—	1	—
2414	3-1/2"	—	1	—
2416	4"	—	1	—

CATALOG NUMBER	NOMINAL CABLE SIZES	UNIT CARTON QTY.	SHIP CARTON QTY.	UPC BAR CODE
<b>Entrance Heads, Clamp Type for SEU Cable – Aluminum</b>				
2430	3-#8 through 3-#1 1-#6 through 1-#3	—	10	—
2440	3-#3/0 through 3-#4/0 1-#1/0 through 1-#2/0	—	10	—



UNDERGROUND FEEDER (UF) CONNECTORS - ALUMINUM/NYLON/STEEL



Aluminum



Nylon



Steel

CATALOG NUMBER	TRADE SIZE	GROMMET OPENING	UF* WIRE SIZE	UNIT CARTON QTY.	SHIP CARTON QTY.	UPC BAR CODE
<b>UF Connectors, Liquid Tight – Aluminum</b>						
4899-9	1/2"	Minimum .20" x .40" Maximum .25" x .55"	2#14, 2#12, 2#10	—	10	—
<b>UF Connectors, Liquid Tight – Nylon</b>						
4799-1	1/2"	Minimum .20" x .40" Maximum .25" x .55"	2#14, 2#12, 2#10	—	25	—
4799-3	3/4"	Minimum .20" x .60" Maximum .26" x .78"	3#14, 3#12, 3#10	—	15	—
<b>UF Connectors, Liquid Tight – Steel</b>						
2462	1/2"	Minimum .225" Maximum .425"	2#14, 2#12	25	100	—

\* Wire sizes may vary among manufacturers

**APPLICATIONS**

- For use with underground feeder (UF) cable to provide a liquid tight connection to meters and enclosures

**PRODUCT FEATURES**

- Rugged metallic construction will last the life of the installation
- Use a nylon connector when a lightweight corrosion resistant connection is required

**COMPLIANCES**

- - Standard 514B
- - C22.2 #18





SERVICE ENTRANCE CABLE CONNECTORS - DIE CAST ZINC



UF Connectors - Liquid Tight

**APPLICATION**

- For use with service entrance cable to provide a liquid tight connection to meters and enclosures

**PRODUCT FEATURES**

- Rugged metallic construction will last the life of the installation

**COMPLIANCE**

-  - Standard 514B  
UL Listed E195972

CATALOG NUMBER	TRADE SIZE	GROMMET OPENING	UF* WIRE SIZE	UNIT CARTON QTY.	SHIP CARTON QTY.	UPC BAR CODE
<b>Service Entrance Cable Connectors, Liquid Tight – Die Cast Zinc</b>						
2475	1-1/4"	.57" x .85"	3#2	—	10	—
2485	1-1/4"	.51" x .85"	3#3	—	10	—
2486	1-1/2"	.74" x 1.23"	3#2/0	—	10	—
2498	2"	.83" x 1.41"	3#3/0	—	10	—
2468	2"	.89 x 1.54"	3#4/0	—	10	—

\* Wire sizes may vary among manufacturers



NON-WATERTIGHT CONNECTORS - DIE CAST ZINC



Connectors for Oval Cable



Connectors for Oval or Round

CATALOG NUMBER	TRADE SIZE	NOMINAL CABLE SIZE	UNIT CTN. QTY.	SHIP CTN. QTY.	UPC BAR CODE
<b>Connectors for Oval Cable – Die Cast Zinc</b>					
2853	3/4"	3#8, 3#6	—	25	—
2854	1"	3#6, 3#4	—	25	—
2855	1-1/4"	3#6, 3#2	—	10	—
2856	1-1/2"	3#1/0, 3#2/0, 3#1	—	10	—
2858	2"	3#3/0, 3#4/0	—	10	—
<b>Connectors for Oval or Round Cable – Die Cast Zinc</b>					
2863	3/4"	3#10, 3#6, 2#6	50	500	—
2864	1"	3#6, 3#4	25	250	—

**APPLICATIONS**

- For use with underground feeder (UF) cable to provide a non-watertight connection to meters and enclosures

**PRODUCT FEATURES**

- Rugged metallic construction will last the life of the installation

**COMPLIANCE**

- - Standard 514B  
U L Listed E195972, E195971



STRAPS - STEEL



One Hole Cable Strap

**APPLICATION**

- For use in mounting service entrance cable

**PRODUCT FEATURES**

- All steel construction provides durability of installation
- Electro zinc plated for added corrosion protection

CATALOG NUMBER	NOMINAL CABLE SIZES	UNIT CARTON QTY.	SHIP CARTON QTY.	UPC BAR CODE
<b>Straps – Steel</b>				
2441	3#8, 3#6	—	100	—
2442	3#4, 3#3, 3#2	—	100	—
2443	3#1, 3#1/0, 3#2/0	—	50	—
2444	3#3/0, 3#4/0	—	50	—

GROUND CLAMPS - BRONZE ALLOY



For Bare Gound Wires



For Bare Armored Gound Wires

CATALOG NUMBER	PIPE SIZE	GROUNDING CONDUCTOR SIZE	UNIT CARTON QTY.	SHIP CARTON QTY.	UPC BAR CODE
<b>For Bare Ground Wires – Bronze Alloy</b>					
2504	1/2" - 1"	No. 2 Str. / No. 10 Sol.	—	25	—
2505	1-1/4" - 2"	No. 2 Str. / No. 10 Sol.	—	25	—
<b>For Bare Armored Ground Wires – Bronze Alloy</b>					
2507	1/2" - 1"	No. 6 Str. / No. 10 Sol.	—	25	—
2508	1-1/4" - 2"	No. 6 Str. / No. 10 Sol.	—	25	—



For 1/2" and 3/4" Rigid Conduit

CATALOG NUMBER	PIPE SIZE	GROUNDING CONDUCTOR SIZE	UNIT CARTON QTY.	SHIP CARTON QTY.	UPC BAR CODE
<b>For 1/2" Rigid Conduit – Bronze Alloy</b>					
2512	1/2" - 1"	No. 6 Str. / No. 10 Sol.	—	25	—
2522	1-1/4" - 2"	No. 6 Str. / No. 10 Sol.	—	25	—
<b>For 3/4" Rigid Conduit – Bronze Alloy</b>					
2513	1/2" - 1"	No. 2/0 Str. / No. 10 Sol.	—	25	—
2523	1-1/4" - 2"	No. 2/0 Str. / No. 10 Sol.	—	25	—



Intersystem Bonding Bridge  
5 Connections

CATALOG NUMBER	GROUNDING CONDUCTOR RANGE	UNIT CARTON QTY.	SHIP CARTON QTY.	UPC BAR CODE
<b>For Solid or Stranded Conductors – Zinc Body, Polycarbonate Cover</b>				
RACIBB-5	#6 - #2 AWG & #14 - #4 AWG	—	6	IIIIIII
RACIBB	#6 - #2 AWG & #14 - #4 AWG	—	6	—

APPLICATIONS

- For use with grounding wire or conduit to water pipes or ground rods

PRODUCT FEATURES

- Bronze cast construction assures ground path continuity and provides corrosion resistance

COMPLIANCE

- - Standard 514B  
U L FILE E195975

APPLICATIONS BONDING BRIDGE (RACIBB & RACIBB-5)

- For installing a grounding conductor with a lay-in style lug and multiple mounting holes for 5 total connections in a single location
- For residential and commercial locations

PRODUCT FEATURES

- Quick and easy installation
- Compact design
- U.V. stabilized polycarbonate cover that can be painted to match the aesthetics of the home or facility where installed
- Meets NEC Article 250.94 "Bonding for Other Systems"

COMPLIANCE

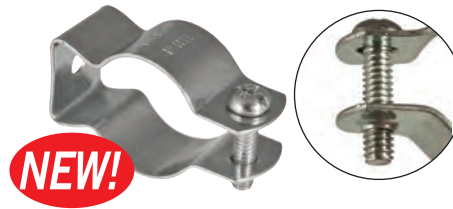
- - Standard 514B  
U L LISTED E195975



CONDUIT HANGERS - STEEL



Conduit Hangers with Bolts



Conduit Hangers with Threaded Holes

APPLICATIONS

- For use in wet or dry locations to support runs of rigid/IMC and EMT conduit from ceilings and walls

PRODUCT FEATURES: HANGERS WITH BOLTS

- Furnished with nut and bolt to speed installation
- Pregalvanized finish provides corrosion protection

COMPLIANCES

- - Standard 514B (trade size 0-9)
- - Canada (trade size 0-9)

PRODUCT FEATURES: HANGERS WITH THREADED HOLE

- Hangers are supplied with a retained bolt and threaded hole eliminating the need for a nut
- The design allows for quick and easy installation using a screwdriver or nut driver
- Pregalvanized finish provides corrosion protection

COMPLIANCE

- 

UL LISTED E195968

APPLICATIONS

- For use with hangers, bridle rings, and drop rods to support conduit from I-beams

PRODUCT FEATURES

- Rugged steel/malleable iron construction will last the lifetime of the installation
- Zinc electro plated for corrosion resistance

COMPLIANCE

- 

UL FILE E195968

CATALOG NUMBER	TRADE SIZE	RIGID & IMC SIZE	EMT SIZE	SHIP CTN. QTY.	MAXIMUM LOAD LBS.	UPC BAR CODE
<b>Conduit Hangers with Bolts – Steel</b>						
2052	0	1/2"	1/2"	100	50	—
2053	1	3/4"	3/4"	100	50	—
2054	2	1"	1"	100	60	—
2041	2-1/2	—	1-1/4"	100	75	—
2055	3	1-1/4"	1-1/2"	100	80	—
2056	4	1-1/2"	—	100	80	—
2058	5	2"	2"	50	100	—
2057	6	2-1/2"	2-1/2"	25	125	—
2059	7	3"	3"	25	165	—
2060	8	3-1/2"	3-1/2"	10	200	—
2061	9	4"	4"	10	230	—
<b>Conduit Hangers with Threaded Hole – Steel</b>						
2052TH	0	1/2"	1/2"	100	50	—
2053TH	1	3/4"	3/4"	100	50	—
2054TH	2	1"	1"	100	60	—
2041TH	2-1/2	—	1-1/4"	100	75	—
2055TH	3	1-1/4"	1-1/2"	100	80	—
2056TH	4	1-1/2"	—	100	80	—
2058TH	5	2"	2"	50	100	—

BEAM CLAMPS - STEEL/MALLEABLE IRON



Beam Clamp - Steel\*



Beam Clamps - Malleable Iron

CATALOG NUMBER	TRADE SIZE	INSIDE OPENING SIZE	MAX. LOAD LBS.	UNIT CTN. QTY.	SHIP CTN. QTY.	UPC BAR CODE
<b>Beam Clamps – Steel/Malleable Iron</b>						
2500*	1"	21/32"	50	—	100	—
2524	1"	27/32"	60	—	100	—
2536	1-1/2"	15/16"	60	—	50	—
2538	2"	1-3/16"	100	—	25	—
2510	2-1/2"	1-1/4"	200	—	25	—

\* Catalog no. 2500 is steel.



**NEW!**

CONDUIT CLAMPS - GALVANIZED MALLEABLE IRON



Parallel Type



Edge Type



Right Angle Type

CATALOG NUMBER	TRADE SIZE	MAX. LOAD SUPPORT @10' SPACING INTERVALS (LBS.)	UNIT CTN. QTY.	SHIP CTN. QTY.	UPC BAR CODE
<b>Parallel Conduit Clamps – Galvanized Malleable Iron</b>					
2322PC	1/2"	50	—	50	—
2323PC	3/4"	50	—	50	—
2324PC	1"	60	—	50	—
2325PC	1-1/4"	75	—	25	—
2326PC	1-1/2"	80	—	25	—
2328PC	2"	100	—	25	—
2330PC	2-1/2"	125 - 160 @ 10' - 16'	—	25	—
2332PC	3"	165 @ 10' - 20'	—	5	—
2334PC*	3-1/2"	200 - 375 @ 10' - 20'	—	5	—
2336PC*	4"	230 - 470 @ 10' - 20'	—	5	—
<b>Edge Conduit Clamps – Galvanized Malleable Iron</b>					
2302EC	1/2"	50	—	25	—
2303EC	3/4"	50	—	25	—
2304EC	1"	60	—	25	—
2305EC	1-1/4"	75	—	25	—
2306EC	1-1/2"	80	—	25	—
2308EC	2"	100	—	25	—
2310EC	2-1/2"	125 - 160 @ 10' - 16'	—	25	—
2312EC	3"	165 @ 10' - 20'	—	5	—
<b>Right Angle Conduit Clamps – Galvanized Malleable Iron</b>					
2352RC	1/2"	50	—	50	—
2353RC	3/4"	50	—	50	—
2354RC	1"	60	—	50	—
2355RC	1-1/4"	75	—	25	—
2356RC	1-1/2"	80	—	25	—
2358RC	2"	100	—	25	—
2360RC	2-1/2"	125 - 160 @ 10' - 16'	—	10	—
2362RC	3"	165 @ 10' - 20'	—	5	—
2364RC	3-1/2"	200 - 375 @ 10' - 20'	—	5	—
2366RC	4"	230 - 470 @ 10' - 20'	—	5	—

**APPLICATIONS**

- To secure rigid metal conduit, IMC or EMT across, parallel or perpendicular to channel, beam and angle supports

**PRODUCT FEATURES**

- Three styles meet every installation need
- Heavy duty U-bolts, hex bolts and hex nuts
- Capable of supporting heavy loads
- Hot dipped galvanized malleable iron construction provides excellent weatherability and corrosion protection
- Perfect for commercial construction applications

**COMPLIANCE**

-  UL LISTED E195968

KNOCKOUT SEALS - STEEL



Knockout Seals - One Piece



Knockout Seals - Two Piece\*


**APPLICATIONS**

- For use in closing off unused openings in boxes or panelboards

**PRODUCT FEATURES**

- All steel construction provides installation integrity
- Zinc electroplated for added corrosion protection

**COMPLIANCE**

-  - Standard 514B (1037 - 1041)  
UL Listed E195973

CATALOG NUMBER	TRADE SIZE	UNIT CTN. QTY.	SHIP CTN. QTY.	UPC BAR CODE
<b>Knockout Seals, One Piece – Steel</b>				
1042	1/2"	100	1000	—
1043	3/4"	100	1000	—
1044	1"	100	400	—
1045	1-1/4"	50	200	—
1046	1-1/2"	—	50	—
1048	2"	—	25	—
<b>Knockout Seals, Two Piece – Steel</b>				
1037	2-1/2"	—	10	—
1039	3"	—	10	—
1040	3-1/2"	—	10	—
1041	4"	—	10	—

\*Two piece seals include two discs, bolt and nut in a poly bag.



CABLE PROTECTORS - STEEL



2709  
Cable Protector Plates



2712 - 2713  
PUZZLE-PLATES®

CATALOG NUMBER	CONTRACTOR PACK	PLATE LENGTH & THICKNESS	STANDARD PACKAGE	WEIGHT PER 100	UPC BAR CODE
<b>Cable Protectors – Pre-galvanized Steel</b>					
2709	—	2-9/16" Long, .0625" Thick	100	6.8	
2709-9	Yes	2-9/16" Long, .0625" Thick	100	6.8	*
2710	—	2-9/16" Long, .0625" Thick	200	6.8	—
<b>PUZZLE-PLATE Cable Protectors – Pre-galvanized Steel</b>					
2712**	—	2-3/4" Long, .051" Thick	100	5.3	
2712-9R	Yes	2-3/4" Long, .0625" Thick	50	6.5	—
2712-9**	Yes	2-3/4" Long, .051" Thick	50	5.3	—
2712R	—	2-3/4" Long, .0625" Thick	100	6.5	
2713**	—	5" Long, .051" Thick	50	10.0	
2713R	—	5" Long, .0625" Thick	50	12.2	

\* Project pack sold as a UPC-A bar coded carton of 100.  
\*\* Not cULus listed.

APPLICATIONS

- Protects nonmetallic sheathed cable or raceway type wires running through wood studs from accidental nail, screw, or drill penetration. Also applies to plumbing to protect nonmetallic piping

PRODUCT FEATURES

- RACO's® Interlocking design of the PUZZLE-PLATE® cable protector does not allow nail or screw penetration through gaps or holes
- Pre-galvanized steel construction for added corrosion protection
- No additional hardware required, just position and hammer down spurs
- Unique PUZZLE-PLATE® interlocking feature allows installer to easily increase area that requires protection
- Contractor packs or individually bar coded pieces
- Made in USA

COMPLIANCE

-  LISTED  
UL FILE E195968  
Canada Patent: 2,731,812



REDUCING WASHERS - STEEL



Reducing Washers

**APPLICATIONS**

- For use when a raceway is smaller in trade size than the trade size of the knockout it is intended to enter
- Use reducing washers in pairs. One inside and one outside the box or enclosure

**PRODUCT FEATURES**

- All steel construction provides installation integrity
- Reducing washer is stamped with trade size information for ease of product identification
- Zinc electroplated for added corrosion protection

CATALOG NUMBER	TRADE SIZE	DIMENSIONS		UNIT CTN. QTY.	SHIP CTN. QTY.	UPC BAR CODE
		A	B			
<b>Reducing Washers – Steel</b>						
1365	3/4" - 1/2"	1-1/4"	7/8"	200	1000	—
1366	1" - 1/2"	1-17/32"	7/8"	100	1000	—
1367	1" - 3/4"	1-17/32"	1-3/32"	100	1000	—
1368	1-1/4" - 1/2"	1-31/32"	7/8"	—	100	—
1369	1-1/4" - 3/4"	1-31/32"	1-3/32"	—	100	—
1370	1-1/4" - 1"	1-31/32"	1-3/8"	—	100	—
1371	1-1/2" - 1/2"	2-5/32"	7/8"	—	50	—
1372	1-1/2" - 3/4"	2-5/32"	1-3/32"	—	50	—
1373	1-1/2" - 1"	2-5/32"	1-3/8"	—	50	—
1374	1-1/2" - 1-1/4"	2-5/32"	1-3/4"	—	50	—
1375	2" - 1/2"	2-11/16"	7/8"	—	50	—
1376	2" - 3/4"	2-11/16"	1-3/32"	—	50	—
1377	2" - 1"	2-11/16"	1-3/8"	—	50	—
1378	2" - 1-1/4"	2-11/16"	1-3/4"	—	50	—
1379	2" - 1-1/2"	2-11/16"	1-31/32"	—	50	—
1380	2-1/2" - 1"	3-3/16"	1-3/8"	—	50	—
1381	2-1/2" - 1-1/4"	3-3/16"	1-3/4"	—	50	—
1382	2-1/2" - 1-1/2"	3-3/16"	1-31/32"	—	50	—
1383	2-1/2" - 2"	3-3/16"	2-15/32"	—	50	—
1384	3" - 1-1/4"	3-13/16"	1-3/4"	—	25	—
1385	3" - 1-1/2"	3-13/16"	1-31/32"	—	25	—
1386	3" - 2"	3-13/16"	2-15/32"	—	25	—
1387	3" - 2-1/2"	3-13/16"	3"	—	25	—
1389	3-1/2" - 2"	4-3/8"	2-15/32"	—	10	—
1390	3-1/2" - 2-1/2"	4-3/8"	3"	—	10	—
1391	3-1/2" - 3"	4-3/8"	3-5/8"	—	10	—
1392	4" - 2"	4-29/32"	2-15/32"	—	10	—
1393	4" - 2-1/2"	4-29/32"	3"	—	10	—
1394	4" - 3"	4-29/32"	3-5/8"	—	10	—



## SEALING WASHERS - STEEL



Sealing Washers\*

CATALOG NUMBER	TRADE SIZE	UNIT CARTON QTY.	SHIP CARTON QTY.	UPC BAR CODE
<b>Sealing Washers* – Steel</b>				
2452	1/2"	50	100	—
2452-8	1/2"	2 per bag	25 bags of 2	
2453	3/4"	25	50	—
2453-8	3/4"	2 per bag	20 bags of 2	
2454	1"	25	50	—
2454-8	1"	2 per bag	10 bags of 2	
2455	1-1/4"	5	25	—
2456	1-1/2"	5	25	—
2458	2"	5	25	—

\* One-piece steel ring and neoprene gasket, raintight

### APPLICATIONS

- For use whenever a positive seal is required between the shoulder of a fitting and an enclosure

### PRODUCT FEATURES

- One piece construction assures proper installation - no need to worry about aligning multiple components
- Steel ring is zinc electro plated for added corrosion protection
- UPC bar coded fittings are individually polybagged with a preprinted UPC-A bar code and packaged in pre-scored tear top cartons for an attractive presentation

### COMPLIANCES

-  - Standard 514B  
UL Listed E195973
-  - C22.2 #18



NIPPLES - DIE CAST ZINC



3/4" Offset Nipples



Uninsulated Chase Nipples

APPLICATION FOR OFFSET NIPPLES

- For use when connecting two boxes or panels when the knockouts are not in line

PRODUCT FEATURE

- Rugged metallic construction provides mechanical protection for the conductors

COMPLIANCES

- - Standard 514B  
U L LISTED E195969
- - C22.2 #18

APPLICATION FOR UNINSULATED NIPPLES

- For use with a conduit coupling to connect conduit to a box or, with a locknut to connect two boxes

PRODUCT FEATURES

- Rugged metallic construction

COMPLIANCES

- - Standard 514B  
U L LISTED E195969
- - C22.2 #18

APPLICATION FOR ANTI-SHORT BUSHINGS

- Anti-short bushings are for use with Armored cable and Flexible Metal Conduit. The bushings protect the conductors during pulling from sharp cut ends of the conduit.

PRODUCT FEATURES

- Easy to use - just insert into the end of the conduit
- Lightweight, one-piece plastic construction resists corrosion
- Economical solution for preventing costly damage

CATALOG NUMBER	TRADE SIZE	UNIT CARTON QTY.	SHIP CARTON QTY.	UPC BAR CODE
<b>3/4" Offset Nipples – Die Cast Zinc</b>				
1452	1/2"	—	50	—
1453	3/4"	—	20	—
1454	1"	—	15	—
1455	1-1/4"	—	10	—
1456	1-1/2"	—	10	—
1458	2"	—	6	—
<b>Uninsulated Chase Nipples – Die Cast Zinc</b>				
1662	1/2"	100	1000	—
1663	3/4"	50	500	—
1664	1"	25	250	—
1665	1-1/4"	25	250	—
1666	1-1/2"	25	100	—
1668	2"	10	40	—
1670	2-1/2"	10	40	—
1672	3"	10	40	—
1674	3-1/2"	10	40	—
1676	4"	5	20	—

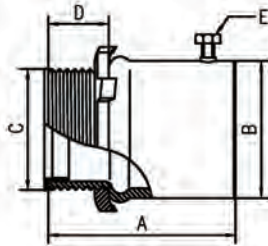
BUSHINGS



Anti-short Bushings

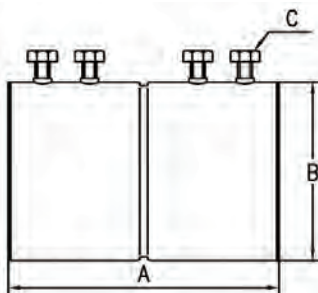
CATALOG NUMBER	TRADE SIZE	UNIT CARTON QTY.	SHIP CARTON QTY.	UPC BAR CODE
<b>Anti-short Bushings – Plastic</b>				
1440B35	5/16"	35	10 bags of 35	
1441B35	3/8"	35	10 bags of 35	
1447B35	7/16"	35	5 bags of 35	
1442B20	1/2"	20	5 bags of 20	
1443B16	3/4"	16	4 bags of 16	

EMT CONNECTORS



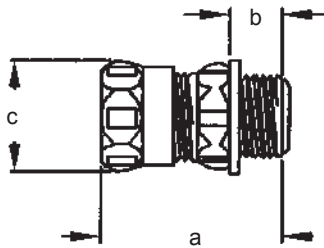
Set Screw Connectors - Steel

INSULATED CATALOG NO.	UNINSULATED CATALOG NO.	A	B WIDTH/HEIGHT	C	D	E
2122, 2122-8	2002, 2002-8	1.41"	0.85	1/2-14 NPSM	0.374"	#12-28NF
2123, 2123-8	2003, 2003-8	1.47"	1.08	3/4-14 NPSM	0.394"	#12-28NF
2124, 2124-8	2004, 2004-8					
2125	2005					
2126	2006					
2128	2008					
2160	2140					
2162RAC	2142					
2164	2144					
2166	2146					



Set Screw Couplings

CATALOG NUMBER	A	B	C
2022, 2022-8	1.57"	0.85"	#12-28NF
2023, 2023-8	1.92"	1.08"	#12-28NF
2024, 2024-8	2.40"	1.33"	#12-28NF
2025	3.03"	1.70"	1/4-28UNS
2026	3.38"	1.93"	1/4-28UNS
2028	3.70"	2.39"	1/4-28UNS
2150	4.09"	3.14"	1/4-24UNS
2152	4.33"	3.77"	1/4-24UNS
2154	4.52"	4.28"	1/4-24UNS
2156	4.72"	4.78"	1/4-24UNS



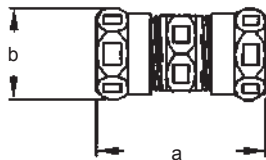
Compression Connectors - Steel

INSULATED CATALOG NUMBER	UNINSULATED CATALOG NUMBER	A	B	C
2912, 2912-8	2902, 2902-8	1.58"	0.46"	1.16"
2913, 2913-8	2903, 2903-8	1.79"	0.45"	1.38"
2914, 2914-8	2904, 2904-8	1.90"	0.56"	1.64"
2915	2905	2.10"	0.65"	2.04"
2916	2906	2.25"	0.70"	2.27"
2918	2908	2.40"	0.66"	2.74"
2960	2940	2.50"	0.81"	3.62"
2962	2942	2.62"	0.94"	4.25"
2964	2944	2.81"	1.00"	4.68"
2966	2946	2.81"	1.00"	5.18"
2912US	2902US	1.58"	0.46"	1.16"
2913US	2903US	1.79"	0.45"	1.38"
2914US	2904US	1.90"	0.56"	1.64"
2915US	2905US	2.10"	0.65"	2.04"
2916US	2906US	2.25"	0.70"	2.27"
2918US	2908US	2.40"	0.66"	2.74"
2960US	2940US	2.50"	0.81"	3.62"
2962US	2942US	2.62"	0.94"	4.25"
2964US	2944US	2.81"	1.00"	4.68"
2966US	2946US	2.81"	1.00"	5.18"

Compression Connectors, Raintight

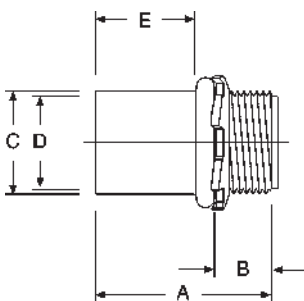
2912RT	2902RT	1.58"	0.46"	1.16"
2913RT	2903RT	1.79"	0.45"	1.38"
2914RT	2904RT	1.90"	0.56"	1.64"
2915RT	2905RT	2.10"	0.65"	2.04"
2916RT	2906RT	2.25"	0.70"	2.27"
2918RT	2908RT	2.40"	0.66"	2.74"
2960RT	2940RT	2.50"	0.81"	3.62"
2962RT	2942RT	2.62"	0.94"	4.25"
2964RT	2944RT	2.81"	1.00"	4.68"
2966RT	2946RT	2.81"	1.00"	5.18"

EMT CONNECTORS & COUPLINGS



Compression Couplings - Steel

CATALOG NUMBER			A	B
2922, 2922-8	2922US	2922RT	2.00"	1.16"
2923, 2923-8	2923US	2923RT	2.15"	1.38"
2924, 2924-8	2924US	2924RT	2.32"	1.64"
2925	2925US	2925RT	2.50"	2.04"
2926	2926US	2926RT	2.78"	2.27"
2928	2928US	2928RT	2.88"	2.74"
2950	2950US	2950RT	3.87"	3.62"
2952	2952US	2952RT	4.00"	4.25"
2954	2954US	2954RT	4.68"	4.68"
2956	2956US	2956RT	4.93"	5.18"

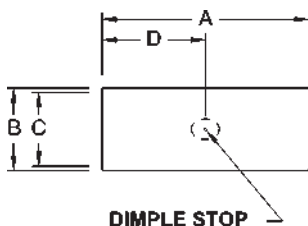


Indenter Connectors

INSULATED CATALOG NUMBER	UNINSULATED CATALOG NUMBER	A	B	C	D	E
1992	1972	1-1/2"	11/32"	13/16"	23/32"	1"
1993	1973	1-35/64"	25/64"	1-1/64"	15/16"	1-1/16"

A = Overall length  
B = Thread length  
C = Body O.D.

D = Body I.D.  
E = Length to conduit stop

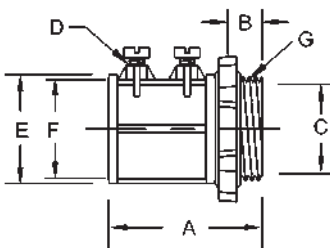


Indenter Couplings

CATALOG NUMBER	A	B	C	D
1982	2"	3/16"	23/32"	31/32"
1983	2-1/4"	1-1/32"	15/16"	1-1/16"

A = Overall length  
B = O.D. of body

C = I.D. of body  
D = Length to center stop



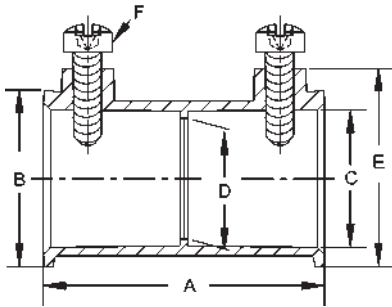
Connectors

INSULATED CATALOG NO.	UNINSULATED CATALOG NO.	A	B	C	D	E	F	G
2634	2602	1-5/32"	25/64"	39/64"	10-24 x 5/16"	15/16"	23/32"	1/2"-14
2635	2603	1-13/32"	15/32"	13/16"	10-24 x 5/16"	1-7/32"	15/16"	3/4"-14
2636	2604	1-35/64"	35/64"	1-1/32"	10-24 x 5/16"	1-27/64"	1-3/16"	1"-11-1/2
2637	2605	1-31/32"	5/8"	1-3/8"	12-24 x 3/8"	1-53/64"	1-35/64"	1-1/4"-11-12
2638	2606	2-13/64"	47/64"	1-19/32"	1/4-20 x 1/2"	2-3/64"	1-49/64"	1-1/2"-11-12
2639	2608	2-1/2"	3/4"	2-3/64"	1/4-20 x 1/2"	2-17/32"	2-15/64"	2"-11-12
2648	2640	3-3/32"	1-3/64"	2-33/64"	1/4-20 x 1/2"	3-19/64"	2-59/64"	2-1/2"-8
2649	2642	3-25/64"	1-1/16"	3-5/32"	1/4-20 x 1/2"	3-15/16"	3-9/16"	3"-8
2650	2644	3-9/16"	1-3/64"	3-19/32"	1/4-20 x 1/2"	4-7/16"	4-3/64"	3-1/2"-8
2651	2646	3-49/64"	1-1/8"	4-7/64"	1/4-20 x 1/2"	4-15/16"	4-37/64"	4"-8

A = Overall length  
B = Thread length  
C = Throat I.D.

E = Body O.D.  
F = Body I.D.  
G = NPSM threads

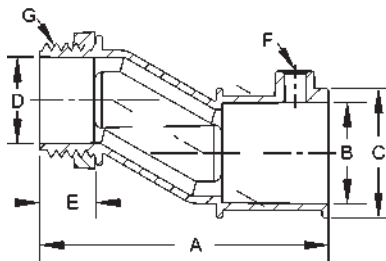
EMT CONNECTORS & COUPLINGS - DIE CAST ZINC



Couplings

CATALOG NUMBER	A	B	C	D	E	F
2622	1-1/2"	59/64"	23/32"	41/64"	1-3/64"	10-24 x 5/16"
2623	1-7/8"	1-9/64"	15/16"	55/64"	1-15/64"	10-24 x 5/16"
2624	2"	1-27/64"	1-3/16"	1-7/64"	1-17/32"	10-24 x 5/16"
2625	2-1/2"	1-53/64"	1-17/32"	1-7/16"	1-63/64"	12-24 x 3/8"
2626	2-7/8"	2-1/16"	1-49/64"	1-43/64"	2-13/64"	1/4-20 x 1/2"
2628	3-7/16"	2-35/64"	2-7/32"	2-1/8"	2-11/16"	1/4-20 x 1/2"
2670	4-1/64"	3-21/64"	2-29/32"	2-3/4"	3-11/32"	1/4-20 x 1/2"
2672	4-29/64"	3-15/16"	3-35/64"	3-27/64"	3-63/64"	1/4-20 x 1/2"
2674	4-15/16"	4-7/16"	3-35/64"	3-61/64"	4-31/64"	1/4-20 x 1/2"
2676	5-15/64"	4-15/16"	4-35/64"	4-13/32"	4-31/64"	1/4-20 x 1/2"

A = Overall length  
 B = O.D. of body  
 C = I.D. of body  
 D = Center stop dia.  
 E = Height of body  
 F = Screw

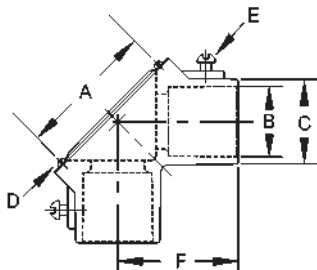


Offset Connectors

CATALOG NUMBER	A	B	C	D	E	F	G
1762	2-3/32"	23/32"	13/16"	5/8"	13/32"	10-24 x 5/16"	1/2" - 14
1763	3-1/64"	15/16"	1-1/32"	55/64"	15/32"	10-24 x 5/16"	3/4" - 14

A = Overall length  
 B = I.D. of body  
 C = O.D. of body  
 D = Throat I.D.  
 E = Thread length  
 F = Screw size and length  
 G = Thread spec.

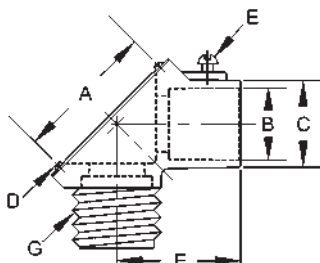
EMT HANDY ELLS



90 Degree Handy Ells - Couplings

CATALOG NUMBER	A	B	C	D	E	F
2752	1-1/2"	47/64"	15/16"	8-32 x 1/4"	10-32 x 5/16"	1-5/16"
2753	1-13/16"	15/16"	1-3/16"	8-32 x 1/4"	10-32 x 5/16"	1-13/32"
2754	2-51/64"	1-3/16"	1-35/64"	8-32 x 1/4"	1/4-20 x 1/2"	1-27/32"

A = Distance between cover screws  
 B = I.D. of body  
 C = O.D. of body  
 D = Screw size and length  
 E = Set screw size  
 F = Length



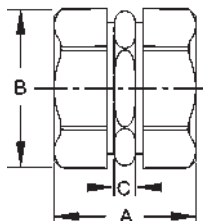
90 Degree Handy Ells - Connectors

CATALOG NUMBER	A	B	C	D	E	F	G
2762	1-1/2"	47/64"	15/16"	8-32 x 1/4"	10-32 x 5/16"	1-5/16"	1/2"-14 NPSM
2763	1-13/16"	15/16"	1-3/16"	8-32 x 1/4"	10-32 x 5/16"	1-13/32"	3/4"-14 NPSM

A = Distance between cover screws  
 B = I.D. of body  
 C = O.D. of body  
 D = Screw size and length  
 E = Set screw size  
 F = Length to end of body  
 G = Thread spec.



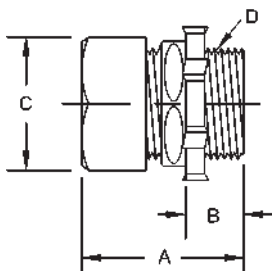
EMT COUPLINGS & CONNECTORS - DIE CAST ZINC



Compression Couplings

CATALOG NUMBER	A	B	C
2822	1-45/64"	29/32"	21/64"
2823	1-25/32"	1-7/64"	7/32"
2824	1-53/64"	1-13/32"	13/32"
2825	2-1/8"	1-25/32"	3/8"
2826	2-11/32"	2"	13/32"
2828	2-15/32"	2-13/32"	3/8"
2870	3-9/32"	3-5/32"	3/8"
2872	3-11/32"	3-13/16"	3/8"
2874	3-35/64"	4-9/32"	3/8"
2876	3-21/64"	4-3/4"	3/8"

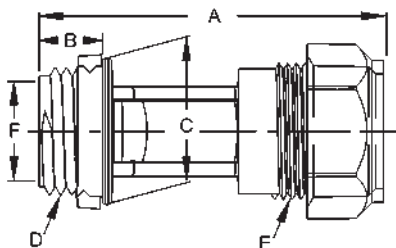
A = Overall length  
 B = Compression nut O.D. across flats  
 C = Body hex width



Compression Connectors

INSULATED CATALOG NO.	UNINSULATED CATALOG NO.	A	B	C	D
2832	2802	1-11/32"	9/16"	29/32"	1/2"- 14 NPSM
2833	2803	1-3/8"	9/16"	1-3/32"	3/4"- 14 NPSM
2834	2804	1-33/64"	23/32"	1-13/32"	1"- 11-1/2 NPSM
2835	2805	1-53/64"	49/64"	1-25/32"	1-1/4"- 11-1/2 NPSM
2836	2806	1-15/16"	49/64"	2-1/8"	1-1/2"- 11-1/2 NPSM
2838	2808	2-15/64"	59/64"	2-21/32"	2"- 11-1/2 NPSM
2890	2840	2-45/64"	1-11/64"	3-5/32"	2-1/2"- 8 NPSM
2892	2842	2-49/64"	1-13/64"	3-13/16"	3"- 8 NPSM
2894	2844	2-59/64"	1-15/64"	4-1/4"	3-1/2"- 8 NPSM
2896	2846	2-59/64"	1-15/64"	4-49/64"	4"- 8 NPSM

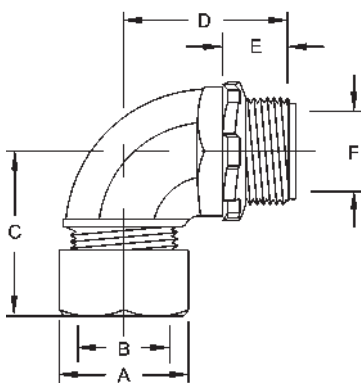
A = Overall length  
 B = Thread length  
 C = Compression nut across flats  
 D = Threads NPSM



Compression Offset Connectors

CATALOG NUMBER	A	B	C	D	E	F
1952	2-5/32"	13/32"	15/16"	1/2"- 14	7/8"-18-2A	5/8"
1953	2-15/16"	15/32"	1-5/32"	3/4"- 14	1-5/64"- 18-2A	25/32"

A = Overall length  
 B = Thread length  
 C = Threaded hub O.D.  
 D = Threads NPSM  
 E = Threads UNS  
 F = Throat I.D.



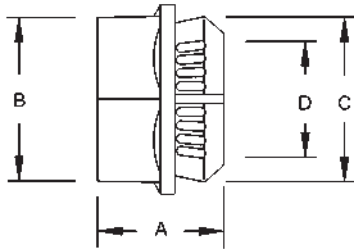
MALLEABLE IRON

90 Degree Short Angle Connectors

CATALOG NUMBER	A	B	C	D	E	THREAD SPEC.	F
2072	1-1/8"	23/32"	1-9/32"	1-7/32"	1/2"	1/2"- 14 NPT	5/8"
2073	1-3/8"	15/32"	1-19/32"	1-15/32"	9/16"	3/4"- 14 NPT	13/16"

A = Compression nut O.D.  
 B = Compression nut I.D.  
 C = Length to end of nut  
 D = Length to end of thread  
 E = Thread length and thread spec.  
 F = Throat I.D.

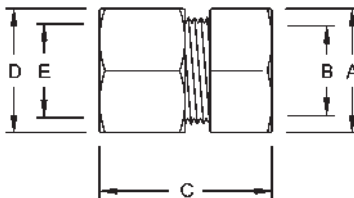
EMT CONNECTORS & COMBINATION COUPLINGS



Two-Piece Connectors

CATALOG NUMBER	A	B	C	D
2702	11/16"	1-3/64"	15/16"	39/64"
2703	13/16"	1-5/16"	1-5/32"	13/16"

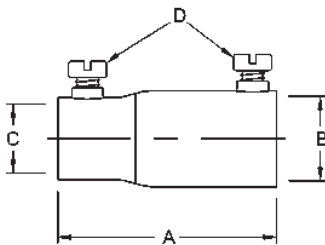
A = Overall length  
 B = O.D. of nut  
 C = O.D. of body  
 D = I.D. of throat



EMT - Rigid - Couplings Threaded/Compression

CATALOG NUMBER	A	B	C	D	E
1352	1-5/32"	3/4"	1-11/32"	1-1/8"	23/32"
1353	1-7/16"	31/32"	1-17/32"	1-3/8"	15/16"
1354	1-21/32"	1-7/32"	1-5/8"	1-43/64"	1-11/64"

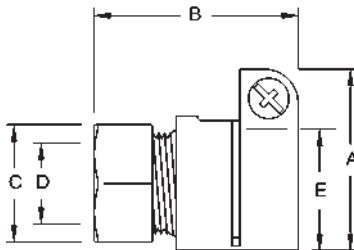
A = O.D. of hub  
 B = Throat I.D.  
 C = Overall length  
 D = Nut O.D.  
 E = Nut I.D.



EMT - Rigid Couplings Set Screw

CATALOG NUMBER	A	B	C	D
1432	2-13/64"	55/64"	23/32"	1/4-28 x 3/8" Pan Head
1433	2-21/32"	1-1/16"	59/64"	1/4-28 x 3/8" Pan Head
1434	3-5/64"	1-21/64"	1-11/64"	1/4-28 x 3/8" Pan Head

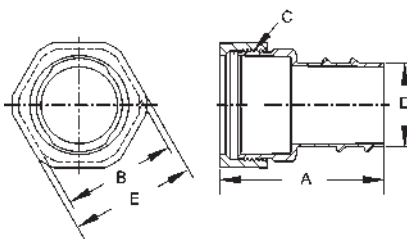
A = Overall length  
 B = I.D. rigid side  
 C = I.D. EMT side  
 D = Screw spec.



EMT - Flex Couplings Squeeze/Compression

CATALOG NUMBER	A	B	C	D	E
1941	1-1/4"	1-5/16"	1-7/64"	23/32"	17/32" - 5/8"
1942, 1942-8	1-1/2"	1-3/4"	1-7/64"	23/32"	13/16" - 15/16"
1943, 1943-8	1-3/4"	1-53/64"	1-3/8"	15/16"	1-1/32" - 1-1/8"

A = Width across flex side  
 B = Overall length  
 C = Nut O.D.  
 D = Nut I.D.  
 E = Clamping range (flex side)



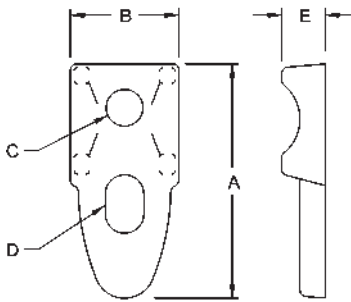
EMT - Rigid - Couplings Threaded/Compression

CATALOG NUMBER	A	B	C THREAD SPEC.	D	E
1482	1-21/32"	59/64"	7/8"-18 UNS	5/8"	31/32"
1483	1-51/64"	1-1/8"	1-5/64"-18 UNS	13/16"	1-7/32"
1484	1-63/64"	1-23/64"	1-23/64"-18 UNS	1"	1-33/64"

A = Overall length  
 B = Body across flat  
 C = Thread spec.  
 D = Flex end O.D.  
 E = Nut across flat



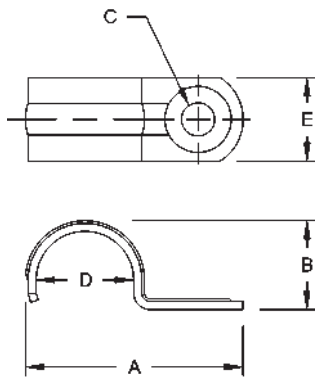
EMT CLAMPBACKS & STRAPS



Clampbacks

CATALOG NUMBER	A	B	C	D	E
1342	2-19/64"	1-1/32"	23/64"	3/8" x 9/16"	27/64"
1343	2-7/16"	1-11/64"	29/64"	27/64" x 21/32"	29/64"
1344	3-1/64"	1-17/64"	3/8"	33/64" x 23/32"	17/32"
1345	3-17/32"	1-19/32"	19/32"	1/2" x 47/64"	35/64"
1346	3-29/32"	1-39/64"	9/16"	9/16" x 15/16"	1/2"
1348	4-27/32"	1-63/64"	9/16"	37/64" x 25/32"	59/64"
1347	5-3/4"	2-13/32"	37/64"	39/64" x 1-1/4"	53/64"
1349	6-47/64"	2-5/8"	33/64"	19/32" x 1-15/64"	27/32"
1350	7-21/32"	3-17/64"	19/32"	43/64" x 1-7/64"	61/64"
1351	8-5/64"	3-7/16"	33/64"	7/8" x 1-19/64"	1-1/32"

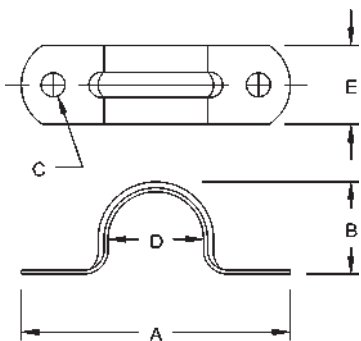
A = Overall length  
 B = Width  
 C = Hole diameter  
 D = Slot size  
 E = Height



One Hole Push-on Straps

CATALOG NUMBER	A	B	C	D	E
2082	1-5/8"	49/64"	1/4"	23/32"	5/8"
2083	2-3/16"	1"	9/32"	59/64"	5/8"
2084	2-9/16"	1-9/32"	9/32"	1-11/64"	3/4"
2085	3-1/8"	1-41/64"	9/32"	1-17/32"	7/8"
2086	3-5/8"	1-57/64"	11/32"	1-3/4"	1"
2088	4-7/16"	2-25/64"	11/32"	2-3/16"	1-1/8"
1337	5-5/16"	3-1/16"	21/32"	2-7/8"	1-1/4"
1339	6-1/16"	3-11/16"	21/32"	3-1/2"	1-1/4"
1340	6-7/8"	4-1/4"	21/32"	4"	1-1/4"
1341	7-3/8"	4-3/4"	21/32"	4-1/2"	1-1/4"

A = Overall length  
 B = Height  
 C = Hole size  
 D = Diameter  
 E = Width of strap

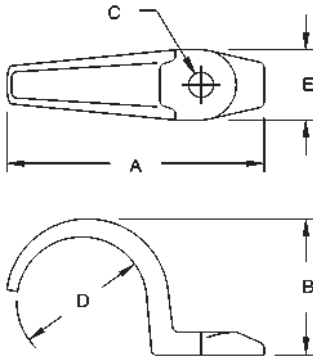


Two Hole Stamped Straps

CATALOG NUMBER	A	B	C	D	E
2092	2.140"	.750"	.187"	.706"	.625"
2093	2.288"	1.015"	.187"	.922"	.625"
2094	2.750"	1.235"	.250"	1.163"	.750"
2095	3.520"	1.540"	.250"	1.510"	.750"
2096	3.770"	1.785"	.250"	1.740"	.750"
2098	4.453"	2.270"	.250"	2.147"	.750"
2239	5.720"	3.050"	.312"	2.875"	1.000"
2240	6.578"	3.670"	.312"	3.500"	1.000"
2241	7.156"	3.975"	.312"	4.000"	1.000"
2242	7.718"	4.700"	.312"	4.500"	1.000"

A = Overall length  
 B = Height  
 C = Hole size  
 D = Diameter  
 E = Width of strap

### EMT CLAMPBACKS & STRAPS

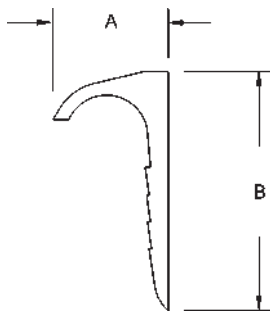


#### One Hole Straps

CATALOG NUMBER	A	B	C	D	E
1310	5-3/8"	3-1/32"	35/64"	2-7/8"	1-5/16"
1312	6-39/64"	3-25/32"	9/16"	3-1/2"	1-31/64"
1314	7-7/8"	4-13/32"	45/64"	4"	2"
1316	8-15/64"	4-27/32"	3/4"	4-1/2"	2"

A = Overall length  
 B = Height  
 C = Hole size  
 D = Diameter  
 E = Width of strap

### NAIL-UP STRAPS

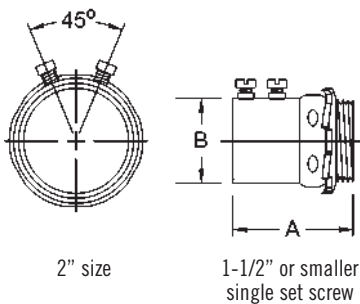


#### Nail-up Straps Stamped

CATALOG NUMBER	A	B
2252	1-1/16"	2-3/16"
2253	1-1/4"	2-19/64"
2254	1-1/2"	2-13/32"

A = Width  
 B = Height

### RIGID AND IMC CONNECTORS & COUPLINGS

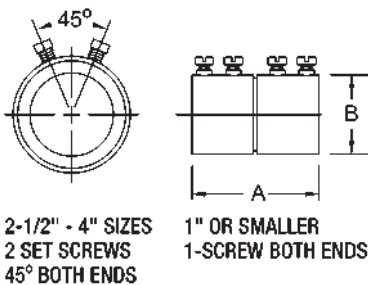


2" size

1-1/2" or smaller  
 single set screw

#### Set Screw Connectors

CATALOG NUMBER	A	B	THREAD SPEC.
3002	1-1/8"	1-1/8"	1/2"-14 NPS
3003	1-1/4"	1-3/8"	3/4"-14 NPS
3004	1-1/2"	1-5/8"	1"-11-1/2 NPS
3005	1-3/4"	2"	1-1/4"-11-1/2 NPS
3006	1-7/8"	2-1/4"	1-1/2"-11-1/2 NPS
3008	2"	2-3/4"	2"-11-1/2 NPS



2-1/2" - 4" SIZES  
 2 SET SCREWS  
 45° BOTH ENDS

1" OR SMALLER  
 1-SCREW BOTH ENDS

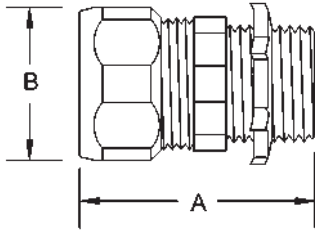
#### Set Screw Couplings

CATALOG NUMBER	A	B
3022	1-1/2"	1-1/8"
3023	1-1/2"	1-3/8"
3024	1-7/8"	1-5/8"
3025	2-3/16"	2"
3026	2-5/8"	2-1/4"
3028	2-3/4"	2-3/4"

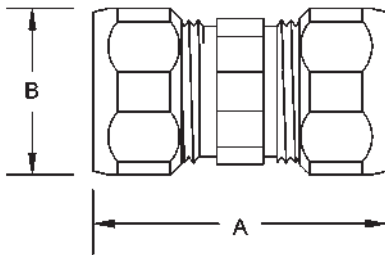
A = Overall length  
 B = Body O.D.



RIGID COMPRESSION CONNECTORS



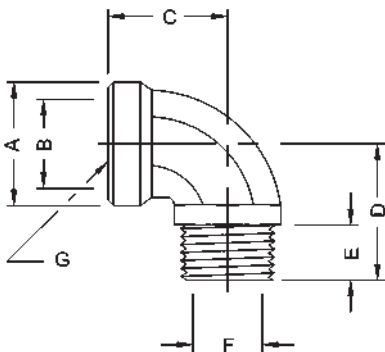
Connectors				
INSULATED CAT. NUMBER	UNINSULATED CAT. NUMBER	A	B	THREAD SPEC.
3802RAC	1802	1-11/32"	1-11/64"	1/2"-14 NPS
3803RAC	1803	1-31/64"	1-7/16"	3/4"-14 NPS
3804RAC	1804	1-37/64"	1-3/4"	1"-11-1/2 NPS
3805RAC	1805	1-55/64"	2-5/32"	1-1/4"-11-1/2 NPS
3806RAC	1806	1-15/16"	2-3/8"	1-1/2"-11-1/2 NPS
3808RAC	1808	2-7/32"	2-7/8"	2"-11-1/2 NPS
—	1810	4"	4-9/64"	2-1/2"- 8 NPS
—	1812	4-5/16"	4-23/32"	3"- 8 NPS
—	1814	4-3/8"	5-3/8"	3-1/2"- 8 NPS
—	1816	4-1/2"	5-29/32"	4"- 8 NPS



Couplings		
CATALOG NUMBER	A	B
1822	1-3/4"	1-3/16"
1823	1-13/16"	1-7/16"
1824	1-61/64"	1-3/4"
1825	2-21/32"	2-5/32"
1826	2-45/64"	2-3/8"
1828	2-15/16"	3-3/8"
1830	5-3/4"	3-15/16"
1832	5-3/4"	4-21/32"
1834	6"	5-13/64"
1836	6-13/16"	5-3/4"

A = Overall length  
 B = Compression nut O.D.

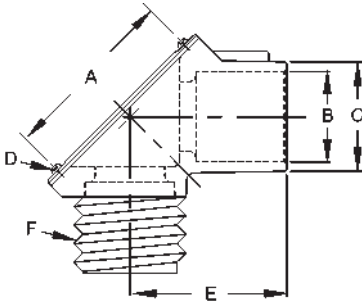
RIGID SHORT ELBOWS



90 Degree Short Elbows							
CATALOG NUMBER	A	B	C	D	E	F	G THREAD SPEC.
1722	1-5/64"	3/4"	1-1/16"	1-17/32"	1/2"	39/64"	1/2"-14 NPS
1723	1-9/32"	61/64"	1-9/32"	1-15/32"	9/16"	13/16"	3/4"-14 NPS

A = Hub O.D.  
 B = Hub I.D.  
 C = Length to end of hub  
 D = Length to end of thread  
 E = Thread length  
 F = Throat I.D.  
 G = Thread spec

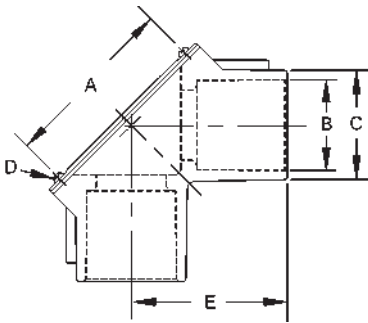
RIGID HANDY ELLS



90 Degree Handy Ells Threaded - Connectors

CATALOG NUMBER	A	B	C	D	E	F
2662	1-1/2"	1/2"-14 NPSM	1"	8 - 32 x 1/4"	1-5/16"	1/2"-14 NPSM
2663	1-13/16"	3/4"-14 NPSM	1-15/64"	8 - 32 x 1/4"	1-13/32"	3/4"-14 NPSM
2664RAC	2-51/64"	1"-11-1/2 NPSM	1-35/64"	8 - 32 x 1/4"	1-27/32"	1"-11-1/2 NPSM

- A = Distance between cover screws
- B = Threaded hub end
- C = Body O.D.
- D = Screw size and length
- E = Length to end of body
- F = Threaded hub

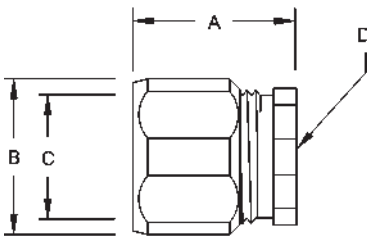


90 Degree Handy Ells Threaded - Couplings

CATALOG NUMBER	A	B	C	D	E
2652	1-1/2"	1/2"-14 NPSM	1"	8 - 32 x 1/4"	1-5/16"
2653	1-13/16"	3/4"-14 NPSM	1-15/64"	8 - 32 x 1/4"	1-13/32"
2654	2-51/64"	1"-11-1/2 NPSM	1-35/64"	8 - 32 x 1/4"	1-27/32"
2655	2-27/32"	1-1/4"-11-1/2 NPSM	1-59/64"	8 - 32 x 1/4"	2-1/64"

- A = Distance between cover screws
- B = Threaded hub
- C = Body O.D.
- D = Screw size and length
- E = Length to end of body

RIGID THREE-PIECE COUPLINGS

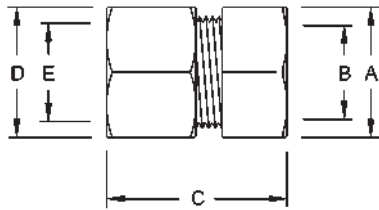


Three-Piece Couplings

CATALOG NUMBER	A	B	C	D THREAD SPEC.
1502	1-3/32"	1-7/32"	49/64"	1/2"-14 NPT
1503	1-1/8"	1-7/16"	31/32"	3/4"-14 NPT
1504	1-3/8"	1-3/4"	1-7/32"	1"-11-1/2 NPT
1505	1-11/16"	2-5/32"	1-9/16"	1-1/4"-11-1/2 NPT
1506	2-17/64"	2-3/4"	1-13/16"	1-1/2"-11-1/2 NPT
1508	2-13/32"	3-3/8"	2-9/32"	2"-11-1/2 NPT
1510	3-1/8"	4-1/16"	2-3/4"	2-1/2"- 8 NPT
1512	3-3/8"	4-17/32"	3-3/8"	3"- 8 NPT
1514	3-43/64"	5-3/16"	3-7/8"	3-1/2"- 8 NPT
1516	3-15/32"	5-3/4"	4-3/8"	4"- 8 NPT
1520	4-3/32"	6-3/4"	5-7/16"	5"- 8 NPT
1524	4-17/64"	8-1/16"	6-1/2"	6"- 8 NPT

- A = Overall length
- B = O.D. body
- C = I.D. body
- D = Thread size

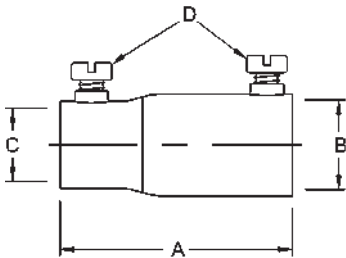
RIGID COMBINATION COUPLINGS



**Rigid - EMT Couplings Threaded/Compression**

CATALOG NUMBER	A	B	C	D	E
1352	1-5/32"	3/4"	1-7/16"	1-1/8"	23/32"
1353	1-3/8"	31/32"	1-17/32"	1-3/8"	15/16"
1354	1-21/32"	1-7/32"	1-5/8"	1-43/64"	1-11/64"

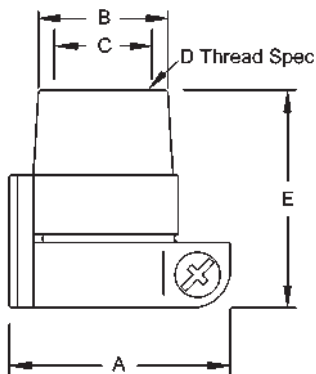
A = Nut O.D.  
 B = Nut I.D.  
 C = Overall length  
 D = O.D. of Hub  
 E = Throat I.D.



**Rigid - EMT Couplings Set Screw**

CATALOG NUMBER	A	B	C	D THREAD SPEC.
1432	2-13/64"	55/64"	23/32"	1/4-28 x 3/8" Pan Head
1433	2-21/32"	1-1/16"	59/64"	1/4-28 x 3/8" Pan Head
1434	3-1/16"	1-21/64"	1-11/64"	1/4-28 x 3/8" Pan Head

A = Overall length  
 B = I.D. rigid side  
 C = I.D. EMT side  
 D = Screw spec

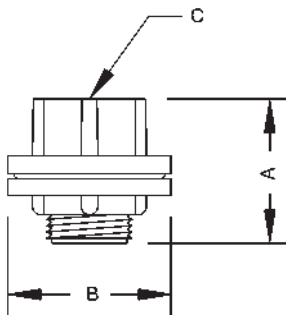


**Rigid - Flex Couplings**

CATALOG NUMBER	A	B	C	D THREAD SPEC.	E
1552	1-43/64"	1-13/64"	3/4"	1/2"-14 NPT	1-1/2"
1553	1-7/8"	1-23/64"	31/32"	3/4"-14 NPT	1-3/4"
1554	2-5/16"	1-21/32"	1-7/32"	1"-11-1/2 NPT	1-53/64"

A = Width across flex side  
 B = Hub O.D.  
 C = Hub I.D.  
 D = Thread spec hub  
 E = Overall length

### RIGID THREADED HUBS

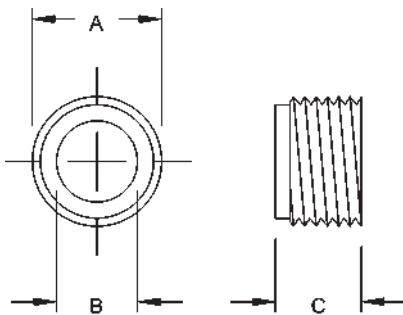


#### Threaded Hubs Insulated Throat

CATALOG NUMBER	A	B	C
1702	1.500"	1.437"	1/2"-14 NPT
1703	1.510"	1.685"	3/4"-14 NPT
1704	1.812"	1.921"	1"-11-1/2 NPT
1705	1.877"	2.370"	1-1/4"-11-1/2 NPT
1706	1.920"	2.745"	1-1/2"-11-1/2 NPT
1708	1.895"	3.236"	2"-11-1/2 NPT
1710	2.605"	3.708"	2-1/2"-8 NPT
1712	2.615"	4.370"	3"- 8 NPT
1714	2.570"	4.941"	3-1/2"- 8 NPT
1716	2.590"	5.450"	4"- 8 NPT

A = Overall length  
 B = O.D.  
 C = Thread size

### RIGID REDUCING BUSHINGS

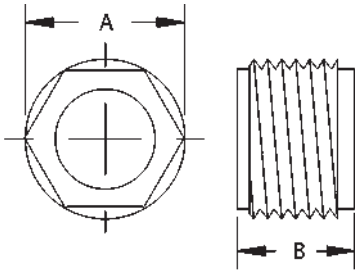


#### Reducing Bushings

CATALOG NUMBER	A	THREAD SPEC.	B	THREAD SPEC.	C
1141	13/16"	1/2"-14 NPS	1/2"	3/8"-18 NPS	17/32"
1142	1-1/64"	3/4"-14 NPS	39/64"	1/2"-14 NPS	9/16"
1143	1-9/32"	1"-11-1/2 NPS	39/64"	1/2"-14 NPS	5/8"
1144	1-9/32"	1"-11-1/2 NPS	13/16"	3/4"-14 NPS	5/8"
1145	1-5/8"	1-1/4"-11-1/2 NPS	39/64"	1/2"-14 NPS	11/16"
1146	1-5/8"	1-1/4"-11-1/2 NPS	13/16"	3/4"-14 NPS	11/16"
1147	1-5/8"	1-1/4"-11-1/2 NPS	1-3/64"	1"-11-1/2 NPS	11/16"
1148	1-7/8"	1-1/2"-11-1/2 NPS	39/64"	1/2"-14 NPS	23/32"
1149	1-7/8"	1-1/2"-11-1/2 NPS	13/16"	3/4"-14 NPS	23/32"
1150	1-7/8"	1-1/2"-11-1/2 NPS	1-3/64"	1"-11-1/2 NPS	23/32"
1151	1-7/8"	1-1/2"-11-1/2 NPS	1-11/32"	1-1/4"-11-1/2 NPS	23/32"
1152	2-21/64"	2"-11-1/2 NPS	39/64"	1/2"-14 NPS	27/32"
1153	2-21/64"	2"-11-1/2 NPS	1-13/16"	3/4"-14 NPS	27/32"
1154	2-21/64"	2"-11-1/2 NPS	1-3/64"	1"-11-1/2 NPS	27/32"
1155	2-21/64"	2"-11-1/2 NPS	1-11/32"	1-1/4"-11-1/2 NPS	27/32"
1156	2-21/64"	2"-11-1/2 NPS	1-19/32"	1-1/2"-11-1/2 NPS	27/32"

A = O.D./thread size  
 B = Throat I.D./thread size  
 C = Thickness

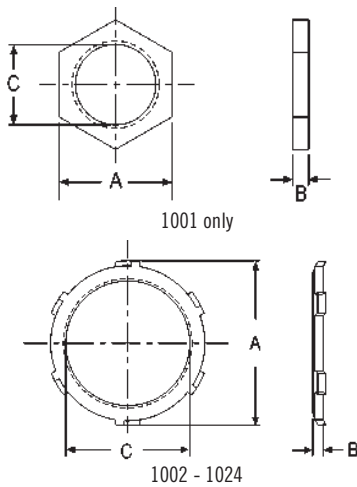
RIGID REDUCING BUSHINGS



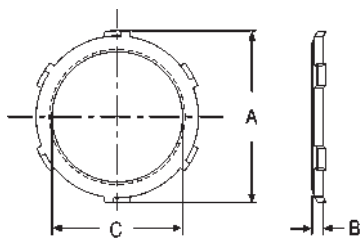
Reducing Bushings				
CATALOG NUMBER	A	THREAD SPEC.	B	THREAD SPEC.
1160	2-7/8"	2-1/2" - 8 NPT	1-5/16"	1-1/4" - 11-1/2 NPT
1161	2-7/8"	2-1/2" - 8 NPT	1-5/16"	1-1/2" - 11-1/2 NPT
1162	2-7/8"	2-1/2" - 8 NPT	1-5/16"	2" - 11-1/2 NPT
1168	3-7/16"	3" - 8 NPT	1-5/16"	2" - 11-1/2 NPT
1169	3-7/16"	3" - 8 NPT	1-9/16"	2-1/2" - 8 NPT
1175	4"	3-1/2" - 8 NPT	1-1/2"	2" - 11-1/2 NPT
1176	4"	3-1/2" - 8 NPT	1-9/16"	2-1/2" - 8 NPT
1177	4"	3-1/2" - 8 NPT	1-5/8"	3" - 8 NPT
1185	4-7/16"	4" - 8 NPT	1-9/16"	3" - 8 NPT
1186	4-7/16"	4" - 8 NPT	1-3/4"	3-1/2" - 8 NPT

A = O.D./thread size  
B = Thickness

RIGID LOCKNUTS

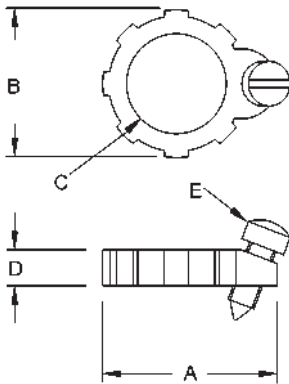


Locknuts			
CATALOG NUMBER	A	B	C
1001	0.850"	0.125"	3/8" NPSL - 18
1002	1.130"	0.125"	1/2" - 14
1003	1.390"	0.125"	3/4" - 14
1004	1.705"	0.170"	1" - 11.5
1005	2.065"	0.170"	1-1/4" - 11.5
1006	2.360"	0.170"	1-1/2" - 11.5
1008	2.860"	0.170"	2" - 11.5
1010	3.430"	0.170"	2-1/2" - 8
1012	4.110"	0.170"	3" - 8
1014	4.690"	0.170"	3-1/2" - 8
1016	5.265"	0.170"	4" - 8
1020	6.530"	0.314"	5" - 8
1024	7.850"	0.314"	6" - 8



Non-UL Locknuts			
CATALOG NUMBER	A	B	C
1192	1.13"	0.098"	1/2" - 14
1193	1.39"	0.098"	3/4" - 14
1194	1.70"	0.125"	1" - 11.5
1195	2.06"	0.125"	1-1/4" - 11.5
1196	2.36"	0.125"	1-1/2" - 11.5
1198	2.86"	0.125"	2" - 11.5
1197	3.43"	0.170"	2-1/2" - 8
1199	4.11"	0.170"	3" - 8
1200	4.69"	0.170"	3-1/2" - 8
1201	5.26"	0.170"	4" - 8
1219	6.53"	0.314"	5" - 8
1220	7.85"	0.314"	6" - 8

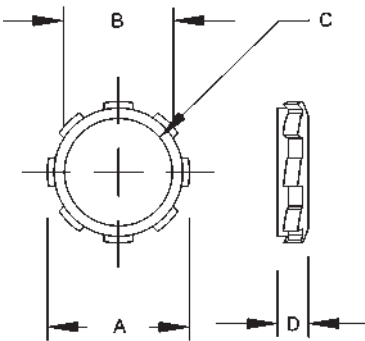
RIGID LOCKNUTS



Bonding Locknuts

CATALOG NUMBER	A	B	C THREAD SPEC.	D	E
1242	1.35"	1.04"	1/2"-14 NPT	.20"	6-32 x 1/2"
1243	1.58"	1.29"	3/4"-14 NPT	.20"	6-32 x 1/2"
1244	1.88"	1.59"	1"-11-1/2 NPT	.22"	6-32 x 1/2"
1245	2.30"	1.95"	1-1/4"-11-1/2 NPT	.23"	8-24 x 1/2"
1246	2.60"	2.23"	1-1/2"-11-1/2 NPT	.23"	8-24 x 1/2"
1248	3.09"	2.73"	2"-11-1/2 NPT	.26"	8-24 x 1/2"
1250	3.52"	3.31"	2-1/2"- 8 NPT	.45"	8-24 x 31/32"
1252	4.19"	4.00"	3"- 8 NPT	.45"	8-24 x 31/32"
1254	4.74"	4.52"	3-1/2"- 8 NPT	.45"	8-24 x 31/32"
1256	5.39"	5.05"	4"- 8 NPT	.45"	8-24 x 31/32"

A = Overall length  
 B = O.D.  
 C = Thread size  
 D = Thickness  
 E = Screw spec



Sealing Locknuts

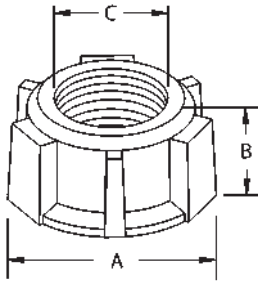
CATALOG NUMBER	A	B	C THREAD SPEC.	D
1202	1-9/64"	25/32"	1/2"-14 NPT	7/32"
1203	1-25/64"	63/64"	3/4"-14 NPT	15/64"
1204	1-23/32"	1-17/64"	1"-11-1/2 NPT	1/4"
1205	2-5/64"	1-37/64"	1-1/4"-11-1/2 NPT	9/32"
1206	2-3/8"	1-13/16"	1-1/2"-11-1/2 NPT	19/64"
1208	2-29/32"	2-5/16"	2"-11-1/2 NPT	19/64"
1207	3-15/32"	2-51/64"	2-1/2"- 8 NPT	5/16"
1209	4-3/16"	3-27/64"	3"- 8 NPT	3/8"
1210	4-11/16"	3-15/16"	3-1/2"- 8 NPT	3/8"
1211	5-9/32"	4-13/32"	4"- 8 NPT	3/8"

A = O.D.  
 B = I.D.  
 C = Thread size  
 D = Thickness



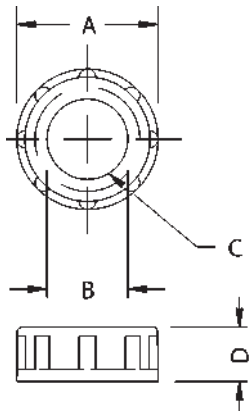


RIGID BUSHINGS



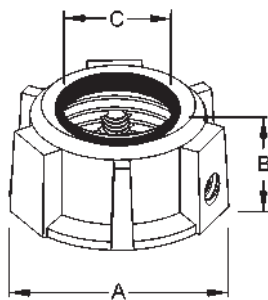
Bushings			
CATALOG NUMBER	A	B	C THROAT DIA.
1102RAC	1-5/32"	9/16"	5/8"
1103	1-13/32"	9-16"	53/64"
1104	1-3/4"	21/32"	1-1/32"
1105	2-1/8"	21/32"	1"
1106	2-11/32"	23/32"	1-39/64"
1108	2-23/32"	23/32"	2-3/64"
1110	3-9/32"	15/16"	2-29/64"
1112	3-7/8"	15/16"	3-3/64"
1114	4-13/32"	15/16"	3-17/32"
1116	4-29/32"	15/16"	4-1/16"

A = O.D.  
 B = Thickness  
 C = I.D.



Insulating Bushings				
CATALOG NUMBER	A	B	C THREAD SPEC.	D
1402	1-1/16"	19/32"	1/2"-14 NPT	23/64"
1403	1-19/64"	25/32"	3/4"-14 NPT	13/32"
1404	1-5/8"	1"	1"-11-1/2 NPT	31/64"
1405	1-61/64"	1-9/64"	1-1/4"-11-1/2 NPT	31/64"
1406	2-3/16"	1-33/64"	1-1/2"-11-1/2 NPT	31/64"
1408	2-41/64"	1-61/64"	2"-11-1/2 NPT	35/64"
1410	3-1/4"	2-21/64"	2-1/2"- 8 NPT	5/8"
1412	3-29/32"	2-29/32"	3"- 8 NPT	11/16"
1414	4-13/32"	3-11/32"	3-1/2"- 8 NPT	11/16"
1416	4-15/16"	3-53/64"	4"- 8 NPT	11/16"
1420	5-63/64"	4-15/16"	5"- 8 NPT	49/64"
1424	7-1/16"	5-15/16"	6"- 8 NPT	49/64"

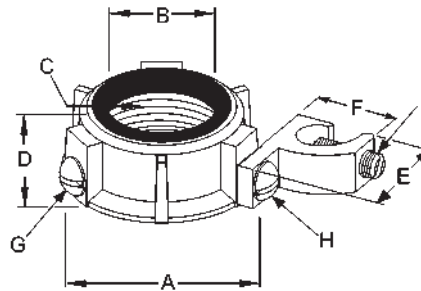
A = O.D.  
 B = I.D.  
 C = Thread size  
 D = Thickness



Insulated Bushings			
CATALOG NUMBER	A	B	C THROAT DIA.
1132	1-5/32"	9/16"	37/64"
1133	1-13/32"	9/16"	49/64"
1134	1-3/4"	21/32"	31/32"
1135	2-1/8"	21/32"	1-9/32"
1136	2-11/32"	23/32"	1-1/2"
1138	2-23/32"	23/32"	1-61/64"
1126	3-9/32"	15/16"	2-19/64"
1127	3-7/8"	15/16"	2-29/32"
1128	4-13/32"	15/16"	3-3/8"
1129	4-29/32"	15/16"	3-55/64"

A = O.D.  
 B = Thickness  
 C = I.D.

RIGID INSULATED GROUNDING BUSHINGS

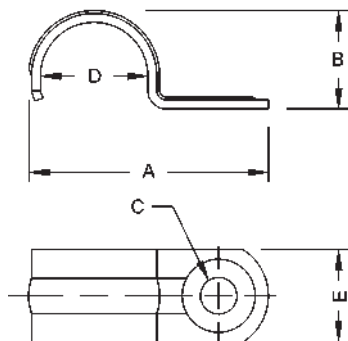


150 Degree Insulated Grounding Bushings - Lay-in Lug									
CATALOG NUMBER	A	B	C	D	E	F	G SET SCREW	H PAN HEAD SCREW	I SET SCREW
1212	1-5/32"	9/16"	1/2"-14 NPS	37/64"	1-1/16"	3/8"	10-32 x 1/4"	10-32 x 1/4"	14-28 x 5/8"
1213	1-13/32"	9/16"	3/4"-14 NPS	3/4"	1-1/16"	3/8"	10-32 x 1/4"	10-32 x 1/4"	14-28 x 5/8"
1214	1-3/4"	21/32"	1"-11-1/2 NPS	31/32"	1-1/16"	3/8"	10-32 x 1/4"	10-32 x 1/4"	14-28 x 5/8"
1215	2-1/8"	21/32"	1-1/4"-11-1/2 NPS	1-9/32"	1-1/16"	3/8"	10-32 x 1/4"	10-32 x 1/4"	14-28 x 5/8"
1216	2-11/32"	23/32"	1-1/2"-11-1/2 NPS	1-1/2"	1-1/16"	3/8"	10-32 x 1/4"	10-32 x 1/4"	14-28 x 5/8"
1218	2-23/32"	23/32"	2"-11-1/2 NPS	1-61/64"	1-1/16"	3/8"	10-32 x 1/4"	10-32 x 1/4"	14-28 x 5/8"
1290	3-9/32"	15/16"	2-1/2"- 8 NPS	2-19/64"	1-1/2"	19/32"	10-32 x 5/16"	1/4-20 x 3/8"	3/8-24 x 7/8"
1292RAC	3-7/8"	15/16"	3"- 8 NPS	2-29/32"	1-1/2"	19/32"	10-32 x 5/16"	1/4-20 x 3/8"	3/8-24 x 7/8"
1294	4-13/32"	15/16"	3-1/2"- 8 NPS	3-3/8"	2-13/64"	51/64"	5/16-24 x 3/8"	5/16-24 x 17/32"	9/16-18 x 1-1/4"
1296	4-29/32"	15/16"	4"- 8 NPS	3-55/64"	2-13/64"	51/64"	5/16-24 x 7/16"	5/16-24 x 17/32"	9/16-18 x 1-1/4"
1262DC	1-5/32"	9/16"	1/2"-14 NPS	37/64"	1-1/16"	3/8"	10-32 x 1/4"	10-32 x 1/4"	14-28 x 5/8"
1263DC	1-13/32"	9/16"	3/4"-14 NPS	3/4"	1-1/16"	3/8"	10-32 x 1/4"	10-32 x 1/4"	14-28 x 5/8"
1264DC	1-3/4"	21/32"	1"-11-1/2 NPS	31/32"	1-1/16"	3/8"	10-32 x 1/4"	10-32 x 1/4"	14-28 x 5/8"
150 Degree Insulated Grounding Bushings - Feed-thru Lug									
1222	1-5/32"	9/16"	1/2"-14 NPS	37/64"	1-1/16"	1/2"	10-32 x 1/4"	10-32 x 7/32"	14-28 x 3/8"
1223	1-13/32"	9/16"	3/4"-14 NPS	49/64"	1-1/16"	1/2"	10-32 x 1/4"	10-32 x 7/32"	14-28 x 3/8"
1224	1-3/4"	21/32"	1"-11-1/2 NPS	31/32"	1-1/16"	1/2"	10-32 x 1/4"	10-32 x 1/4"	14-28 x 3/8"
1225	2-1/8"	21/32"	1-1/4"-11-1/2 NPS	1-9/32"	1-1/16"	1/2"	10-32 x 1/4"	10-32 x 1/4"	14-28 x 3/8"
1226	2-11/32"	23/32"	1-1/2"-11-1/2 NPS	1-1/2"	1-1/16"	1/2"	10-32 x 1/4"	10-32 x 1/4"	14-28 x 3/8"
1228	2-23/32"	23/32"	2"-11-1/2 NPS	1-61/64"	1-1/16"	1/2"	10-32 x 1/4"	10-32 x 1/4"	14-28 x 3/8"
1230	3-9/32"	15/16"	2-1/2"- 8 NPS	2-19/64"	1-15/32"	5/8"	5/16-24 x 3/8"	5/16-24 x 3/8"	7/16-20 x 3/8"
1232RAC	3-7/8"	15/16"	3"- 8 NPS	2-29/32"	1-15/32"	5/8"	5/16-24 x 3/8"	5/16-24 x 3/8"	7/16-20 x 3/8"
1234	4-13/32"	15/16"	3-1/2"- 8 NPS	3-3/8"	1-3/4"	27-32"	5/16-24 x 3/8"	5/16-24 x 27/64"	5/8-18 x 11/16"
1236	4-29/32"	15/16"	4"- 8 NPS	3-55/64"	1-3/4"	27-32"	5/16-24 x 7/16"	5/16-24 x 27/64"	5/8-18 x 11/16"

A = O.D.  
 B = I.D.  
 C = Thread size  
 D = Thickness  
 E = Height of lug  
 F = Width of lug  
 G = Screw spec, bonding screw  
 H = Screw spec, screw that holds lug to bushing  
 I = Screw spec, screw that holds ground wire

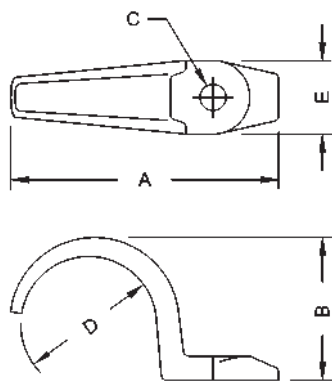


RIGID STRAPS



One Hole Push-on Straps

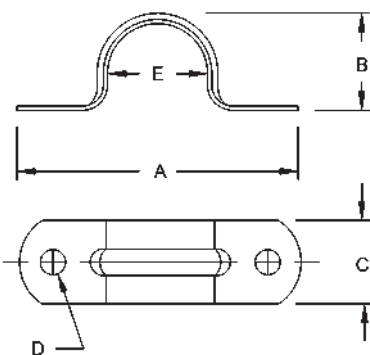
CATALOG NUMBER	A	B	C	D	E
1332	1-59/64"	7/8"	9/32"	55/64"	7/8"
1333	2-5/16"	1-3/32"	9/32"	1-1/16"	3/4"
1334	2-11/16"	1-1/4"	9/32"	1-5/16"	3/4"
1335	3-1/8"	1-5/8"	11/32"	1-5/8"	7/8"
1336	3-27/32"	1-7/8"	13/32"	1-15/16"	7/8"
1338	4-9/16"	2-7/16"	13/32"	2-3/8"	7/8"
1337	5-5/16"	3"	21/32"	2-7/8"	1-1/4"
1339	6-1/16"	3-9/16"	21/32"	3-1/2"	1-1/4"
1340	6-7/8"	3-7/8"	21/32"	4"	1-1/4"
1341	7-3/8"	4-1/4"	21/32"	4-1/2"	1-1/4"



One Hole Straps

CATALOG NUMBER	A	B	C	D	E
1301	1-7/8"	25/32"	11/32"	11/16"	21/32"
1302	2-1/64"	31/32"	9/32"	27/32"	5/8"
1303	2-7/32"	1-1/32"	5/16"	1-1/16"	3/4"
1304	2-23/32"	1-5/16"	23/64"	1-5/16"	29/32"
1305	3-1/32"	1-25/32"	13/32"	1-21/32"	51/64"
1306	3-27/32"	2-5/64"	27/64"	1-29/32"	1-1/16"
1308	4-1/2"	2-35/64"	9/16"	2-3/8"	1-13/32"
1310	5-3/8"	3-1/32"	35/64"	2-7/8"	1-5/16"
1312	6-39/64"	3-25/32"	9/16"	3-1/2"	1-31/64"
1314	7-7/8"	4-13/32"	45/64"	4"	2"
1316	8-15/64"	4-27/32"	3/4"	4-1/2"	2"

A = Overall length  
 B = Height  
 C = Hole size  
 D = Diameter  
 E = Width of strap

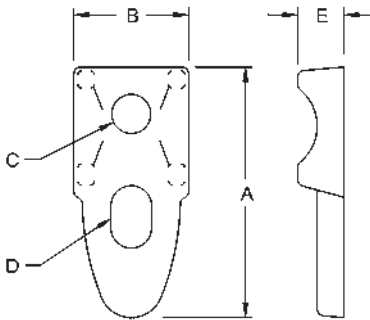


Two Hole Straps

CATALOG NUMBER	A	B	C	D	E
2232	2-9/16"	7/8"	19/32"	3/16"	13/16"
2233	2-3/8"	1-1/8"	19/32"	3/16"	1-1/16"
2234	2-15/16"	1-31/32"	23/32"	1/4"	1-5/16"
2235	3-3/4"	1-11/16"	23/32"	1/4"	1-21/32"
2236	4-1/8"	1-7/8"	23/32"	1/4"	1-7/8"
2238	5"	2-7/16"	23/32"	17/64"	2-3/8"
2239	5-3/4"	3-1/8"	1"	5/16"	2-7/8"
2240	6-23/32"	3-11/16"	1"	5/16"	3-35/64"
2241	7-1/2"	3-15/16"	1"	5/16"	4-3/64"
2242	7-7/8"	4-11/16"	1"	5/16"	4-35/64"
2245-2	10-11/16"	5-43/64"	1-1/4"	21/32"	5-49/64"
2246-2	12-9/64"	6-19/32"	1-1/4"	21/32"	7"

A = Overall length  
 B = Overall height  
 C = Strap width  
 D = Hole diameter  
 E = Diameter

RIGID CLAMPBACKS

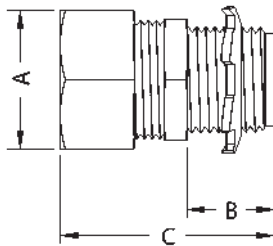


Clamp Backs

CATALOG NUMBER	A	B	C	D	E
1342	2-19/64"	1-1/32"	23/64"	3/8" x 9/16"	27/64"
1343	2-7/16"	1-11/64"	29/64"	27/64" x 21/32"	29/64"
1344	3-1/64"	1-17/64"	3/8"	33/64" x 23/32"	17/32"
1345	3-17/32"	1-19/32"	19/32"	1/2" x 47/64"	35/64"
1346	3-29/32"	1-39/64"	9/16"	9/16" x 15/16"	1/2"
1348	4-27/32"	1-63/64"	9/16"	37/64" x 25/32"	59/64"
1347	5-3/4"	2-13/32"	37/64"	39/64" x 1-1/4"	53/64"
1349	6-47/64"	2-5/8"	33/64"	19/32" x 1-15/64"	27/32"
1350	7-21/32"	3-17/64"	19/32"	43/64" x 1-7/64"	61/64"
1351	8-5/64"	3-7/16"	33/64"	7/8" x 1-19/64"	1-1/32"

A = Overall length  
 B = Width  
 C = Hole diameter  
 D = Slot size  
 E = Height

LIQUIDTIGHT CONDUIT AND CORD CONNECTORS



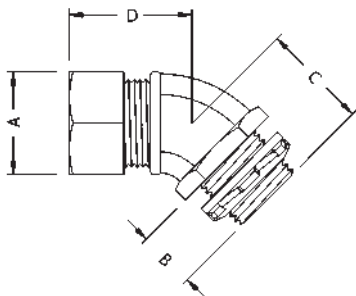
Straight Connectors

INSULATED CATALOG NO.	UNINSULATED CATALOG NO.	A	B	THREAD SPEC.	C
3511RAC	—	1-1/16"	1/2"	1/2"-14 NPT	1-29/64"
—	3401	1-1/16"	1/2"	1/2"-14 NPT	1-29/64"
—	3401-8	1-1/16"	1/2"	1/2"-14 NPT	1-29/64"
3512RAC	3402	1-3/16"	1/2"	1/2"-14 NPT	1-15/32"
3512-8	3402-8	1-3/16"	1/2"	1/2"-14 NPT	1-15/32"
3513RAC	3403	1-13/32"	9/16"	3/4"-14 NPT	1-31/64"
3513-8	3403-8	1-13/32"	9/16"	3/4"-14 NPT	1-31/64"
3514RAC	3404	1-45/64"	19/32"	1"-11-1/2 NPT	1-51/64"
3514-8	3404-8	1-45/64"	19/32"	1"-11-1/2 NPT	1-51/64"
3515RAC	3405	2-3/16"	43/64"	1-1/4"-11-1/2 NPT	1-7/8"
3516	3406	2-13/32"	47/64"	1-1/2"-11-1/2 NPT	2-11/64"
3518	3408	3-1/32"	21/32"	2"-11-1/2 NPT	2-9/32"
3520	3410	3-5/8"	1"	2-1/2"- 8 NPT	3-5/16"
3522	3412	3-3/8"	1-3/64"	3"- 8 NPT	3-1/2"
3524	3414	3-31/32"	1-1/8"	3-1/2"- 8 NPT	3-5/8"
3526	3416	5-35/64"	1-5/32"	4"- 8 NPT	3-5/8"

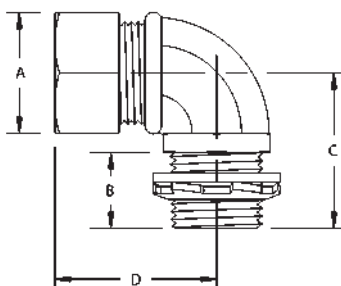
A = Nut Flats  
 B = Thread length and thread spec.  
 C = Overall Length



LIQUIDTIGHT CONDUIT AND CORD CONNECTORS

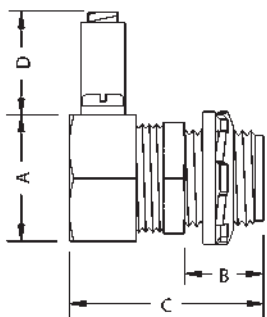


45 Degree Connectors						
INSULATED CATALOG NO.	UNINSULATED CATALOG NO.	A	B	THREAD SPEC.	C	D
3561	3441	1-1/16"	17/32"	1/2"-14 NPT	1-3/8"	1-1/32"
3562	3442	1-3/16"	9/16"	1/2"-14 NPT	1-1/4"	1-1/16"
3563	3443	1-13/32"	19/32"	3/4"-14 NPT	1-21/32"	1-3/16"
3564	3444	1-45/64"	5/8"	1"-11-1/2 NPT	1-21/32"	1-13/32"
3565	3445	2-3/16"	23/32"	1-1/4"-11-1/2 NPT	1-13/16"	1-1/2"
3566	3446	2-3/8"	47/64"	1-1/2"-11-1/2 NPT	2"	1-9/16"
3568	3448	3-1/32"	49/64"	2"-11-1/2 NPT	2-3/8"	1-3/4"



90 Degree Connectors						
INSULATED CATALOG NO.	UNINSULATED CATALOG NO.	A	B	THREAD SPEC.	C	D
3541RAC	3421	1-3/64"	35/64"	1/2"-14 NPT	1-3/8"	1-7/16"
—	3421-8	1-3/64"	35/64"	1/2"-14 NPT	1-3/8"	1-7/16"
3542	3422	1-11/64"	9/16"	1/2"-14 NPT	1-13/32"	1-5/8"
3542-8	3422-8	1-11/64"	9/16"	1/2"-14 NPT	1-13/32"	1-5/8"
3543	3423	1-13/32"	37/64"	3/4"-14 NPT	1-5/8"	1-7/8"
3543-8	3423-8	1-13/32"	37/64"	3/4"-14 NPT	1-5/8"	1-7/8"
3544	3424	1-45/64"	41/64"	1"-11-1/2 NPT	1-15/16"	2-1/8"
3544-8	3424-8	1-45/64"	41/64"	1"-11-1/2 NPT	1-15/16"	2-1/8"
3545	3425	2-3/16"	21/32"	1-1/4"-11-1/2 NPT	2-1/64"	2-1/4"
3546	3426	2-13/32"	49/64"	1-1/2"-11-1/2 NPT	2-1/4"	2-5/8"
3548	3428	3-1/32"	3/4"	2"-11-1/2 NPT	2-15/32"	3"
3550	3430	3-45/64"	1-1/32"	2-1/2"- 8 NPT	3-11/32"	5"
3552	3432	4-13/32"	1-1/16"	3"- 8 NPT	4-25/32"	5-7/16"
3556	3436	5-17/32"	1-3/16"	4"- 8 NPT	5-15/64"	6"

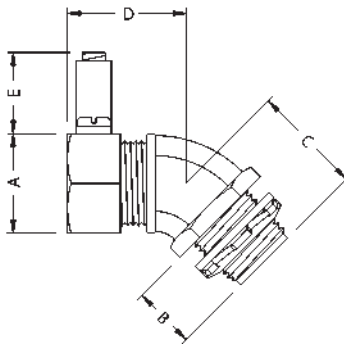
A = Nut Flats  
 B = Thread length and thread spec.  
 C = Thread to bend  
 D = Nut to bend



Straight Connectors with Ground Lug					
INSULATED CATALOG NO.	A	B	THREAD SPEC.	C	D
3511-3	1-1/16"	1/2"	1/2"-14 NPT	1-29/64"	25/32"
3512-3	1-3/16"	1/2"	1/2"-14 NPT	1-15/32"	25/32"
3513-3	1-13/32"	9/16"	3/4"-14 NPT	1-31/64"	25/32"
3514-3	1-45/64"	19/32"	1"-11-1/2 NPT	1-51/64"	25/32"
3515-3	2-3/16"	43/64"	1-1/4"-11-1/2 NPT	1-7/8"	25/32"
3516-3	2-13/32"	47/64"	1-1/2"-11-1/2 NPT	2-11/64"	25/32"
3518-3	3-1/32"	21/32"	2"-11-1/2 NPT	2-9/32"	25/32"
3520-3	3-5/8"	1"	2-1/2"- 8 NPT	3-5/16"	1-11/64"
3522-3	3-3/8"	1-3/64"	3"- 8 NPT	3-1/2"	1-11/64"
3524-3	3-31/32"	1-1/8"	3-1/2"- 8 NPT	3-5/8"	1-13/16"
3526-3	5-35/64"	1-5/32"	4"- 8 NPT	3-5/8"	1-13/16"

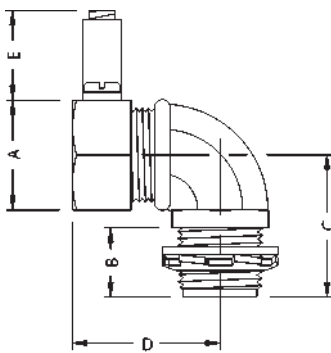
A = Nut Flats  
 B = Thread length and thread spec.  
 C = Overall length  
 D = Lug height

LIQUIDTIGHT CONDUIT AND CORD CONNECTORS



45 Degree Insulated Connectors with Ground Lug

INSULATED CATALOG NO.	A	B	THREAD SPEC.	C	D	E
3561-3	1-1/16"	17/32"	1/2"-14 NPT	1-3/8"	1-1/32"	25/32"
3562-3	1-3/16"	9/16"	1/2"-14 NPT	1-1/4"	1-1/16"	25/32"
3563-3	1-13/32"	19/32"	3/4"-14 NPT	1-21/32"	1-3/16"	25/32"
3564-4	1-45/64"	5/8"	1"-11-1/2 NPT	1-21/32"	1-13/32"	25/32"
3565-3	2-3/16"	23/32"	1-1/4"-11-1/2 NPT	1-13/16"	1-1/2"	25/32"
3566-3	2-3/8"	47/64"	1-1/2"-11-1/2 NPT	2"	1-9/16"	25/32"
3568-3	3-1/32"	49/64"	2"-11-1/2 NPT	2-3/8"	1-3/4"	25/32"

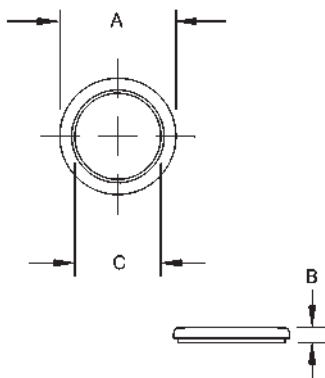


90 Degree Insulated Connectors with Ground Lug

INSULATED CATALOG NO.	A	B	THREAD SPEC.	C	D	E
3541-3	1-3/64"	35/64"	1/2"-14 NPT	1-3/8"	1-7/16"	25/32"
3542-3	1-11/64"	9/16"	1/2"-14 NPT	1-13/32"	1-5/8"	25/32"
3543-3	1-13/32"	37/64"	3/4"-14 NPT	1-5/8"	1-7/8"	25/32"
3544-3	1-45/64"	41/64"	1"-11-1/2 NPT	1-15/16"	2-1/8"	25/32"
3545-3	2-3/16"	21/32"	1-1/4"-11-1/2 NPT	2-1/64"	2-1/4"	25/32"
3546-3	2-13/32"	49/64"	1-1/2"-11-1/2 NPT	2-1/4"	2-5/8"	25/32"
3548-3	3-1/32"	3/4"	2"-11-1/2 NPT	2-15/32"	3"	25/32"
3550-3	3-45/64"	1-1/32"	2-1/2"- 8 NPT	3-11/32"	5"	1-11/64"
3552-3	4-13/32"	1-1/16"	3"- 8 NPT	4-25/32"	5-7/16"	1-11/64"
3556-3	5-17/32"	1-3/16"	4"- 8 NPT	5-15/64"	6"	1-13/64"

- A = Nut Flats
- B = Thread length and thread spec.
- C = Thread to bend
- D = Nut to bend
- E = Lug height

SEALING WASHERS



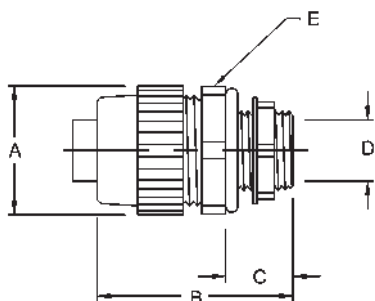
Sealing Washers - Steel

CATALOG NUMBER	A	B	C
2452	1-5/64"	5/64"	51/64"
2452-8	1-5/64"	5/64"	51/64"
2453	1-11/32"	5/32"	1"
2453-8	1-11/32"	5/32"	1"
2454	1-5/8"	11/64"	1-1/4"
2454-8	1-5/8"	11/64"	1-1/4"
2455	2"	11/64"	1-39/64"
2456	2-23/64"	3/16"	1-27/32"
2458	2-53/64"	3/16"	2-5/16"

- A = O.D.
- B = Thickness
- C = I.D.



LIQUIDTIGHT CONDUIT AND CORD CONNECTORS

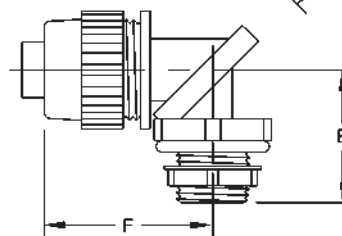
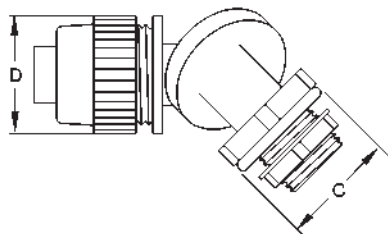
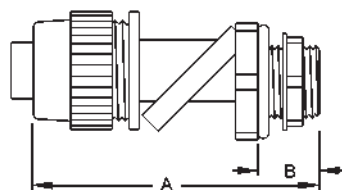


**Straight Connectors - Nylon - For Type B Conduit**

CATALOG NUMBER	A	B	C	D	E	
					A/C*	A/F**
4721	1.14"	1.63"	.57"	.42"	1.41"	1.30"
4722	1.30"	2.14"	.57"	.55"	1.41"	1.30"
4722-8	1.30"	2.14"	.57"	.55"	1.41"	1.30"
4723	1.53"	2.22"	.58"	.74"	1.85"	1.53"
4723-8	1.53"	2.22"	.58"	.74"	1.85"	1.53"
4724	1.80"	2.32"	.72"	.96"	1.94"	1.80"
4724-8	1.80"	2.32"	.72"	.96"	1.94"	1.80"
4725	2.20"	2.15"	.74"	1.30"	2.38"	2.18"
4726	2.49"	2.35"	.76"	1.46"	2.63"	2.43"
4728	3.05"	2.51"	.79"	1.90"	3.13"	2.93"

**Straight Connectors - Nylon - For Extra Flexible Tubing**

CATALOG NUMBER	A	B	C	D	E	
					A/C*	A/F**
4741	1.14"	1.63"	.57"	.42"	1.41"	1.30"
4742	1.30"	2.14"	.57"	.55"	1.41"	1.30"
4743	1.53"	2.22"	.58"	.74"	1.85"	1.53"
4744	1.80"	2.32"	.72"	.96"	1.94"	1.80"
4745	2.20"	2.15"	.74"	1.30"	2.38"	2.18"
4746	2.49"	2.35"	.76"	1.46"	2.63"	2.43"
4748	3.05"	2.51"	.79"	1.90"	3.13"	2.93"



**SWIVEL LOK® Multi Position Connectors - Nylon - For Extra Flexible Tubing**

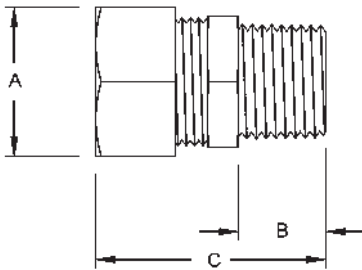
CATALOG NUMBER	A	B	C		D	E	F
			A/C*	A/F**			
4731	3.27"	.57"	1.41"	1.30"	1.30"	1.43"	2.00"
4732	3.27"	.57"	1.41"	1.30"	1.30"	1.43"	2.00"
4732-8	3.27"	.57"	1.41"	1.30"	1.30"	1.43"	2.00"
4733	3.66"	.58"	1.65"	1.53"	1.53"	1.59"	2.23"
4733-8	3.66"	.58"	1.65"	1.53"	1.53"	1.59"	2.23"
4734	4.00"	.72"	1.94"	1.80"	1.80"	1.84"	2.30"
4734-8	4.00"	.72"	1.94"	1.80"	1.80"	1.84"	2.30"

**SWIVEL LOK® Multi Position Connectors - Nylon for Extra Flexible Tubing**

CATALOG NUMBER	A	B	C		D	E	F
			A/C*	A/F**			
4751	3.27"	.57"	1.41"	1.30"	1.30"	1.43"	2.00"
4752	3.27"	.57"	1.41"	1.30"	1.30"	1.43"	2.00"
4753	3.66"	.58"	1.65"	1.53"	1.53"	1.59"	2.23"
4754	4.00"	.72"	1.94"	1.80"	1.80"	1.84"	2.30"

\*A/C = Across corners  
 \*\*A/C = Across flats

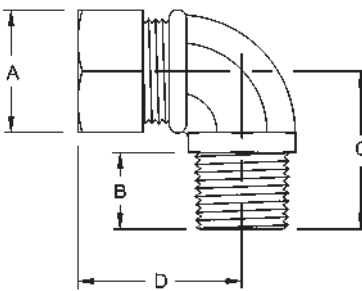
LIQUIDTIGHT CONDUIT AND CORD CONNECTORS



**Straight Strain Relief Cord Connectors**

HUB SIZE	FORM SIZE	A	B	THREAD SPEC.	C
1/2"	F1	1-1/16"	1/2"	1/2"-14 NPT	1-29/64"
1/2"	F2	1-3/16"	1/2"	1/2"-14 NPT	1-15/32"
3/4"	F3	1-13/32"	9/16"	3/4"-14 NPT	1-31/64"
1"	F4	1-45/64"	19/32"	1"-11-1/2 NPT	1-51/64"
1-1/4"	F5	2-3/16"	43/64"	1-1/4"-11-1/2 NPT	1-7/8"
1-1/2"	F6	2-13/32"	47/64"	1-1/2"-11-1/2 NPT	2-11/64"

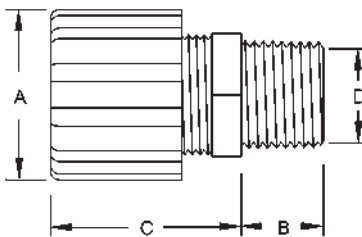
A = Nut Flats  
 B = Thread length and thread spec.  
 C = Overall Length



**90 Degree Strain Relief Cord Connectors**

HUB SIZE	FORM SIZE	A	THREAD SPEC.	B	C	D
1/2"	F1	1-3/64"	1/2"-14 NPT	35/64"	1-3/8"	1-7/16"
1/2"	F2	1-11/64"	1/2"-14 NPT	9/16"	1-13/32"	1-5/8"
3/4"	F3	1-13/32"	3/4"-14 NPT	37/64"	1-5/8"	1-7/8"

A = Nut Flats  
 B = Thread length and thread spec.  
 C = Thread to bend  
 D = Nut to bend



**Strain Relief Cord Connectors - Nylon**

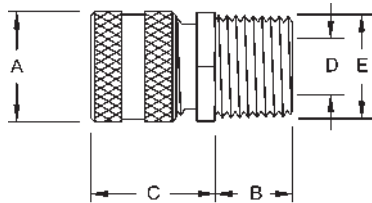
HUB SIZE	FORM SIZE	A	B	C	D
1/4"	F1	63/64"	7/16"	1-3/32"	21/64"
3/8"	F1	63/64"	7/16"	1-3/32"	7/16"
1/2"	F2	1-1/4"	17/32"	1-1/2"	37/64"
3/4"	F3	1-31/64"	35/64"	1-5/8"	49/64"
1"	F4	1-27/32"	11/16"	1-3/4"	1-1/64"

A = Nut O.D.  
 B = Thread length  
 C = Length to shoulder  
 D = Throat I.D.





LIQUIDTIGHT CONDUIT AND CORD CONNECTORS

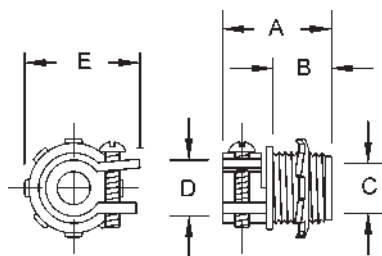


Straight Strain Relief Cord Connectors - Aluminum

HUB SIZE	FORM SIZE	A DIA.	B REF.	C	D	E	
						A/C*	A/F**
1/2"	F1	.88"	.46"	.90"	.44"	1.00"	.88"
1/2"	F2	1.13"	.55"	1.10"	.64"	1.11"	1.00"
1/2"	F3	1.38"	.55"	1.50"	.64"	1.40"	1.25"
3/4"	F2	1.13"	.55"	1.10"	.64"	1.29"	1.13"
3/4"	F3	1.38"	.55"	1.50"	.82"	1.40"	1.25"
1"	F4	1.75"	.71"	1.60"	1.02"	1.81"	1.62"

\*A/C = Across corners      A = Nut O.D.      D = Throat I.D.  
 \*\*A/C = Across flats      B = Thread length      E = Hex  
 C = Length to shoulder

FLEXIBLE METAL CONDUIT FITTINGS



Straight Squeeze Connector, Insulated

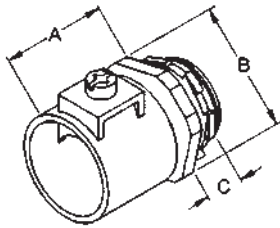
CATALOG NUMBER	A	B	THREAD SPEC.	C	D	E
3301	1-1/16"	13/32"	1/2"-14 NPS	.345	.528 - .640	1-23/64"
3302	1-23/64"	17/32"	1/2"-14 NPS	.590	.855 - .910	1-5/8"
3302-8	1-23/64"	17/32"	1/2"-14 NPS	.590	.855 - .910	1-5/8"
3303	1-15/32"	31/64"	3/4"-14 NPS	.763	1.043 - 1.122	1-15/16"
3303-8	1-15/32"	31/64"	3/4"-14 NPS	.763	1.043 - 1.122	1-15/16"
3304	1-11/16"	33/64"	1"-11-1/2 NPT	.935	1.364 - 1.408	2-25/64"
3304-8	1-11/16"	33/64"	1"-11-1/2 NPT	.935	1.364 - 1.408	2-25/64"
3305	1-51/64"	33/64"	1-1/4"-11-1/2 NPT	1.190	1.670 MAX.	2-9/16"
3306	2-15/32"	43/64"	1-1/2"-11-1/2 NPT	1.450	1.970 MAX.	2-27/32"
3308	2-3/4"	45/64"	2"-11-1/2 NPT	1.930	2.450 MAX.	3-11/32"
3310	3"	1-3/64"	2-1/2"- 8 NPS	2.358	3.080 MAX	4-5/32"
3312	3-15/64"	1-5/64"	3"- 8 NPS	2.290	3.645 MAX	5"
3314	5-13/64"	1-21/64"	3-1/2"- 8 NPS	3.425	4.060 MAX	6-5/8"
3316	5-23/32"	1-39/64"	4"- 8 NPS	3.915	4.560 MAX	7-15/64"

Straight Squeeze Connector, Uninsulated

2101	1-1/16"	13/32"	1/2"-14 NPS	.345	.528 - .640	1-23/64"
2102	1-33/64"	17/32"	1/2"-14 NPS	.590	.855 - .910	1-5/8"
2102-8	1-33/64"	17/32"	1/2"-14 NPS	.590	.855 - .910	1-5/8"
2103	1-15/32"	31/64"	3/4"-14 NPS	.763	1.043 - 1.122	1-15/16"
2103-8	1-15/32"	31/64"	3/4"-14 NPS	.763	1.043 - 1.122	1-15/16"
2104	1-11/16"	33/64"	1"-11-1/2 NPT	.935	1.364 - 1.408	2-25/64"
2104-8	1-11/16"	33/64"	1"-11-1/2 NPT	.935	1.364 - 1.408	2-25/64"
2105	1-51/64"	33/64"	1-1/4"-11-1/2 NPT	1.190	1.670 MAX.	2-9/16"
2106	2-15/32"	43/64"	1-1/2"-11-1/2 NPT	1.450	1.970 MAX.	2-27/32"
2108	2-3/4"	45/64"	2"-11-1/2 NPT	1.930	2.450 MAX.	3-11/32"
2110	3"	1-3/64"	2-1/2"- 8 NPS	2.358	3.080 MAX	4-5/32"
2112	3-15/64"	1-5/64"	3"- 8 NPS	2.290	3.645 MAX	5"
2114	5-1/64"	1-21/64"	3-1/2"- 8 NPS	3.425	3.150 MAX	6-5/8"
2116	5-23/64"	1-39/64"	4"- 8 NPS	3.915	3.500 MAX	7-15/64"

A = Overall length      D = Clamping range  
 B = Thread length and thread spec      E = Maximum width body  
 C = Throat I.D.

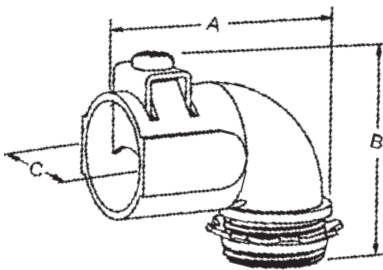
FLEXIBLE METAL CONDUIT FITTINGS



**Straight DOUBLE BITE Saddle Connectors**

CATALOG NUMBER	A	B	C
3301DB	1-3/16"	1-1/4"	1/2"
3302DB	1-3/8"	1-1/4"	7/16"
3303DB	1-3/8"	1-7/16"	7/16"
3304DB	1-9/16"	1-13/16"	1/2"
3305DB	2-3/16"	2-1/8"	5/8"
3306DB	2-7/16"	2-1/2"	5/8"
3308DB	2-9/16"	3"	5/8"
3310DB	2-11/16"	3-5/8"	13/16"
3312DB	2-13/16"	4-1/4"	15/16"
3314DB	2-15/16"	4-3/4"	1"
3316DB	3"	5-3/16"	1-1/16"

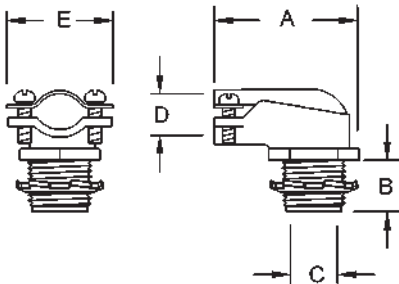
A = Overall length  
 B = O.D. body  
 C = Thread length



**90 Degree DOUBLE BITE Saddle Connectors**

CATALOG NUMBER	A	B	C
3201DB	1-3/4"	2-1/16"	1"
3202DB	2-1/8"	2-1/4"	1-1/4"
3203DB	2-1/2"	2-1/2"	1-3/8"
3204DB	2-13/16"	2-7/8"	1-11/16"

A = Throat length  
 B = Overall height  
 C = Throat I.D.



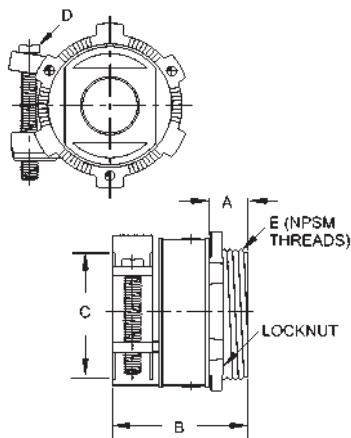
**90 Degree Squeeze Connectors**

INSULATED CATALOG NO.	UNINSULATED CATALOG NO.	A	B	THREAD SPEC	C	D	E
3201	2201	2-1/64"	23/64"	1/2"-14 NPS	.570"	.390-.630"	1-3/8"
3202	2202	2-15/64"	27/64"	1/2"-14 NPS	.570"	.817-.950"	1-51/64"
3202-8	2202-8	2-15/64"	27/64"	1/2"-14 NPS	.570"	.817-.950"	1-51/64"
3203	2203	2-1/2"	1/2"	3/4"-14 NPS	.822"	.830-1.110"	1-31/32"
3203-8	2203-8	2-1/2"	1/2"	3/4"-14 NPS	.822"	.830-1.110"	1-31/32"
3204	2204	2-27/32"	33/64"	1"-11-1/2 NPS	.950"	1.295" MAX	2-11/32"
—	2204-8	2-27/32"	33/64"	1"-11-1/2 NPS	.950"	1.295" MAX	2-11/32"
3205	2205	4-13/64"	43/64"	1-1/4"-11-1/2 NPS	1.210"	1.535" MAX	2-55/64"
3206	2206	4-57/64"	19/32"	1-1/2"-11-1/2 NPS	1.450"	1.890" MAX	3-3/32"
3208	2208	6-35/64"	51/64"	2"-11-1/2 NPS	1.883"	2.415" MAX	3-51/64"
3210	2210	7-9/16"	1-7/64"	2-1/2"- 8 NPS	2.300"	2.515" MAX	4-21/64"
3212	2212	8-31/32"	1-3/64"	3"- 8 NPS	2.940"	3.025" MAX	5-1/16"
3214	2214	11-15/64"	1-17/64"	3-1/2"- 8 NPS	3.440"	3.700" MAX	6-51/64"
3216	2216	12-11/32"	1-9/16"	4"- 8 NPS	3.935"	4.050" MAX	7-17/64"

A = Overall length  
 B = Thread length and thread spec  
 C = Throat I.D.  
 D = Clamping range  
 E = Maximum width body



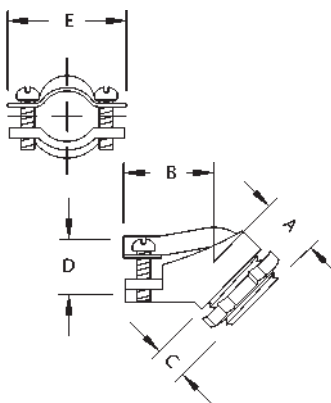
FLEXIBLE METAL CONDUIT FITTINGS



**Straight Squeeze Connectors, Uninsulated**

CATALOG NUMBER	A	B	C	D	E
2191	13/32"	1"	21/32"	NO. 10x1.00	1/2"-14 NPSM
2192	1/2"	1-1/2"	63/64"	NO. 10x1.00	1/2"-14 NPSM
2193	1/2"	1-19/32"	1-3/16"	NO. 12x1.00	3/4"-14 NPSM
2194	9/16"	1-49/64"	1-29/64"	NO. 12x1.25	1"-11-1/2 NPSM
2195RAC	43/64"	1-31/32"	1-47/64"	NO. 12x1.25	1-1/4"-11-1/2 NPSM
2196RAC	19/32"	2"	2"	NO. 12x1.25	1-1/2"-11-1/2 NPSM
2198	19/32"	2-7/64"	2-35/64"	1/4-20x1.50	2"-11-1/2 NPSM

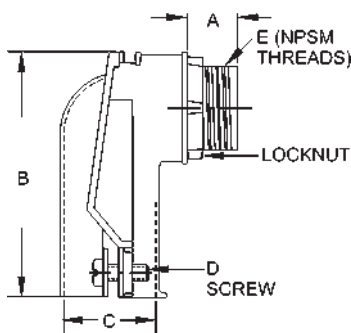
A = Thread length  
 B = Overall length  
 C = Conduit opening  
 D = Screw spec  
 E = Thread spec



**45 Degree Squeeze Connectors, Uninsulated**

CATALOG NUMBER	A	B	C	THREAD SPEC.	D	E
2221	5/8"	1-3/16"	1/2"	1/2" - 14	7/16" - 5/8"	1-3/8"
2222	1-3/16"	2"	1/2"	1/2" - 14	25-32" - 29/32"	1-3/8"

A = Length to end of fitting  
 B = Length to bend  
 C = Thread length and thread spec  
 D = Clamping range  
 E = Maximum width body

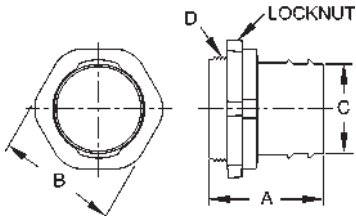


**90 Degree Squeeze Connectors, Uninsulated**

CATALOG NUMBER	A	B	C		D	E
			MIN.	MAX.		
2691	25/64"	1-25/32"	29/64"	25/32"	NO. 8 x 1/2"	1/2"-14 NPSM
2692	7/16"	2-1/8"	45/64"	1-5/32"	NO. 8 x 5/8"	1/2"-14 NPSM
2693	7/16"	2-3/32"	63/64"	1-13/32"	NO. 8 x 5/8"	3/4"-14 NPSM
2694	17/32"	2-27/32"	1-7/64"	1-53/64"	NO. 12 x 1"	1"-11-1/2 NPSM
2695	19/32"	3-15/16"	1-3/8"	2-1/16"	NO. 12 x 1"	1-1/4"-11-1/2 NPSM
2696	45/64"	6-1/16"	1-27/32"	2-1/16"	NO. 1/4-20 x 1-1/2"	1-1/2"-11-1/2 NPSM
2698	45/64"	6-1/4"	1-27/32"	2-1/16"	NO. 1/4-20 x 1-1/2"	2"-11-1/2 NPSM

A = Thread length  
 B = Overall length  
 C = Clamping range  
 D = Screw  
 E = Thread spec

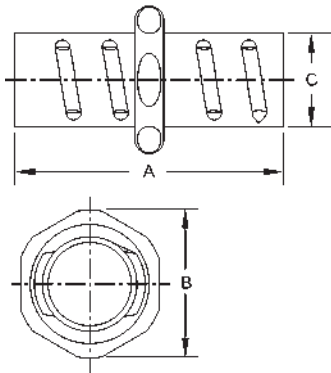
FLEXIBLE METAL CONDUIT FITTINGS



Screw-in Type Connectors - Uninsulated

CATALOG NUMBER	A	B	C	D THREAD SPEC.
2281	1-19/64"	59/64"	3/8"	1/2"-14 NPSM
2282	1-3/8"	59/64"	5/8"	1/2"-14 NPSM
2283	1-5/8"	1-1/8"	53/64"	3/4"-14 NPSM

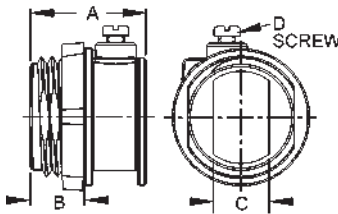
A = Overall length  
 B = Dia. across flats  
 C = Body Dia.  
 D = Thread spec



Screw-in Type Couplings

CATALOG NUMBER	A	B	C
2272	1-51/64"	31/32"	5/8"
2273	2-7/64"	1-7/32"	53/64"

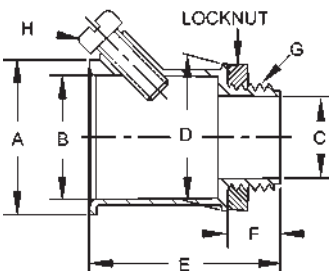
A = Overall length  
 B = Dia. across corners  
 C = Body Dia.



Set Screw Connector

CATALOG NUMBER	A	B	THREAD SPEC.	C	D
2511	25/32"	3/8"	1/2-14 NPSM	3/8"	10-24 x 1/2"

A = Overall length  
 B = Thread length  
 C = Throat Dia.  
 D = Screw Size



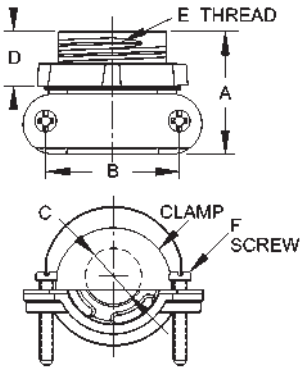
Set Screw Connector

CATALOG NUMBER	A	B	C	D	E	F	G	H
2632	1-3/16"	61/64"	39/64"	1-1/8"	1-1/2"	3/64"	1/2-14 NPSM	10-24 x 1/2"

A = Body O.D.  
 B = Body I.D.  
 C = Throat I.D.  
 D = Hub Dia.  
 E = Overall length  
 F = Thread length  
 G = Thread spec  
 H = Screw size and length



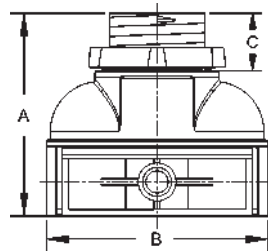
FLEXIBLE METAL CONDUIT FITTINGS



Clamp Type Connector

CATALOG NUMBER	A	B	C	THREAD SPEC.	D	E
2661	27/32"	7/8"	23/64"	3/8"	1/2-14 NPSM	8-32 x 3/4"

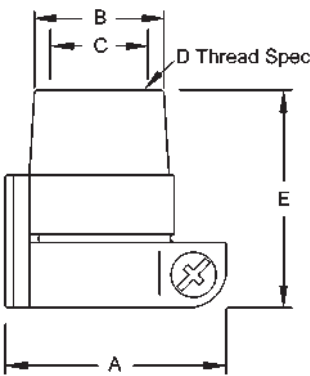
- A = Length
- B = Screw centerlines
- C = Clamping range
- D = Thread length
- E = Thread spec.
- F = Screw



Duplex Connector

CATALOG NUMBER	A	B	C
2611	1-1/2"	1-21/32"	7/16"

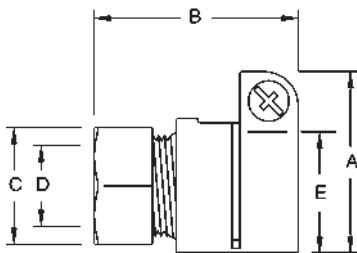
- A = Overall length
- B = Width
- C = Thread length



Flex to Rigid Couplings

CATALOG NUMBER	A	B	C	D THREAD SPEC.	E
1552	1-43/64"	1-13/64"	31/32"	1/2"- 14 NPT	1-1/2"
1553	1-3/4"	1-23/64"	1-1/8"	3/4"- 14 NPT	1-3/4"
1554	2-5/16"	1-21/32"	1-13/34"	1"- 11-1/2 NPT	1-53/64"

- A = Width across flex side
- B = Hub O.D.
- C = Hub I.D.
- D = Thread spec. hub
- E = Overall length

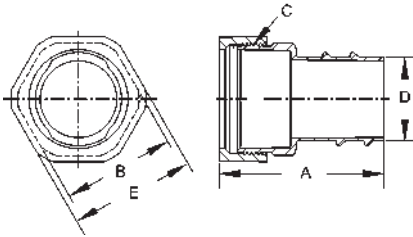


Flex EMT Squeeze Couplings

CATALOG NUMBER	A	B	C	D	E
1941	1-1/4"	1-5/16"	1-7/64"	23/32"	17/32"-5/8"
1942	1-1/2"	1-3/4"	1-7/64"	23/32"	13/16"-15/16"
1942-8	1-1/2"	1-3/4"	1-7/64"	23/32"	13/16"-15/16"
1943	1-3/4"	1-53/64"	1-3/8"	15/16"	1-1/32"-1-1/8"
1943-8	1-3/4"	1-53/64"	1-3/8"	15/16"	1-1/32"-1-1/8"

- A = Width across flex side
- B = Overall length
- C = Nut O.D.
- D = Nut I.D.
- E = Clamping range (flex side)

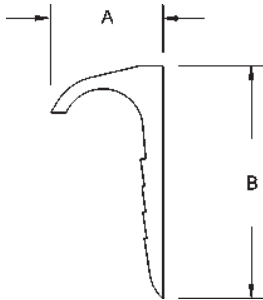
FLEXIBLE METAL CONDUIT FITTINGS



**Flex EMT Couplings Screw-In/Compression**

CATALOG NUMBER	A	B	C THREAD SPEC.	D	E
1482	1-21/32"	59/64"	7/8"-18 UNS	5/8"	31/32"
1483	1-51/64"	1-1/8"	1-5/64"-18 UNS	13/16"	1-7/32"
1484	1-63/64"	1-23/64"	1-23/64"-18 UNS	1"	1-33/64"

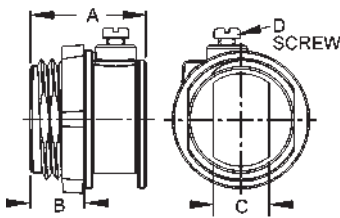
A = Overall length  
 B = Body across flat  
 C = Thread spec  
 D = Throat I.D.  
 E = Nut across flat



**Nail-up Straps Stamped**

CATALOG NUMBER	A	B
2252	1-1/16"	2-3/16"
2253	1-1/4"	2-19/64"
2254	1-1/2"	2-13/32"

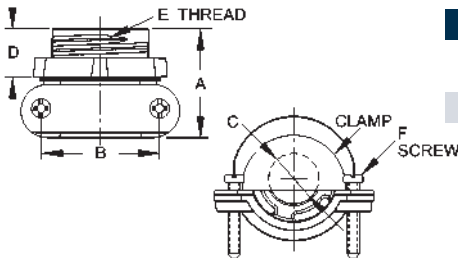
ARMORED CABLE CONNECTORS



**Set Screw Connector**

CATALOG NUMBER	A	B	THREAD SPEC.	C	D
2511	25/32"	3/8"	1/2-14 NPSM	3/8"	10-24 x 1/2"

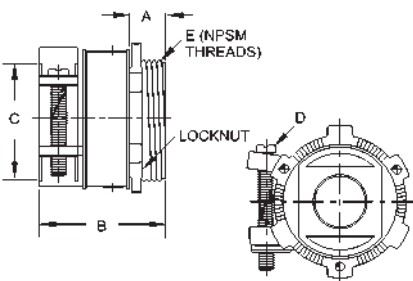
A = Overall length  
 B = Thread length  
 C = Throat Dia.  
 D = Screw Size



**Clamp Type Connector**

CATALOG NUMBER	A	B	C	THREAD SPEC.	D	E
2661	27/32"	7/8"	23/64"	3/8"	1/2-14 NPSM	8-32 x 3/4"

A = Length  
 B = Screw centerlines  
 C = Clamping range  
 D = Thread length  
 E = Thread spec.  
 F = Screw

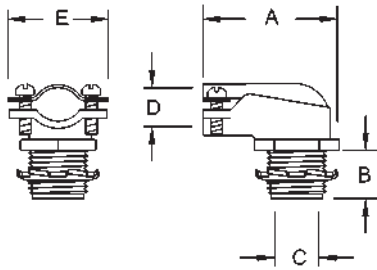


**Squeeze Type Connectors, Uninsulated**

CATALOG NUMBER	A	B	C	D	E
2191	13/32"	1"	21/32"	NO. 10x1.00	1/2"-14 NPSM
2192	1/2"	1-1/2"	63/64"	NO. 10x1.00	1/2"-14 NPSM
2193	1/2"	1-19/32"	1-3/16"	NO. 12x1.00	3/4"-14 NPSM
2194	9/16"	1-49/64"	1-29/64"	NO. 12x1.25	1"-11-1/2 NPSM

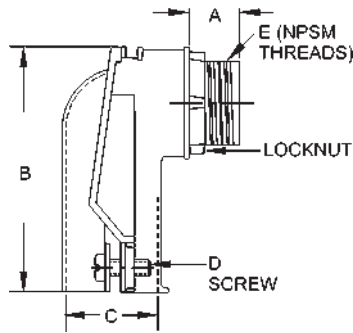
A = Thread length  
 B = Overall length  
 C = Conduit opening  
 D = Screw spec  
 E = Thread spec

ARMORED CABLE CONNECTORS



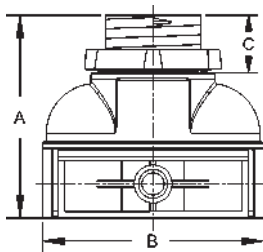
90 Degree Squeeze Connectors		A	B	THREAD SPEC	C	D	E
INSULATED CATALOG NO.	UNINSULATED CATALOG NO.						
3201	2201	2-1/64"	23/64"	1/2"-14 NPS	.570"	.390-.630"	1-3/8"
3202	2202	2-15/64"	27/64"	1/2"-14 NPS	.570"	.817-.950"	1-51/64"
3202-8	2202-8	2-15/64"	27/64"	1/2"-14 NPS	.570"	.817-.950"	1-51/64"
3203	2203	2-1/2"	1/2"	3/4"-14 NPS	.822"	.830-1.110"	1-31/32"
3203-8	2203-8	2-1/2"	1/2"	3/4"-14 NPS	.822"	.830-1.110"	1-31/32"

- A = Overall length
- B = Thread length and thread spec
- C = Throat I.D.
- D = Clamping range
- E = Maximum width body



90 Degree Squeeze Connectors, Uninsulated		A	B	C		D	E
CATALOG NUMBER				MIN.	MAX.		
2691		25/64"	1-25/32"	29/64"	25/32"	NO. 8 x 1/2"	1/2"-14 NPSM
2692		7/16"	2-1/8"	45/64"	1-5/32"	NO. 8 x 5/8"	1/2"-14 NPSM
2693		7/16"	2-3/32"	63/64"	1-13/32"	NO. 8 x 5/8"	3/4"-14 NPSM

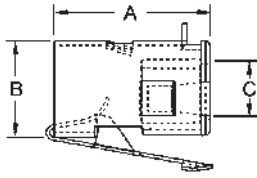
- A = Thread length
- B = Overall length
- C = Clamping range
- D = Screw
- E = Thread spec



Duplex Connector		A	B	C
CATALOG NUMBER				
2611		1-1/2"	1-21/32"	7/16"

- A = Overall length
- B = Width
- C = Thread length

METAL CLAD CABLE CONNECTORS



NEW LINE ART TO COME

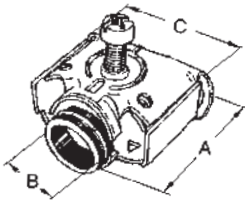
**REDI-LOC® Cable Connectors**

CATALOG NUMBER	A	B	C
2700, 2700-8	1.070"	.840"	.375"
2700AJ, 2700AJ-8	1.070"	.840"	.375"
2701, 2701-8	1.070"	1.074"	.500"

**REDI-LOC® II Cable Connectors**

2720	1.65"	.714"	.323"
2720AJ	1.65"	.714"	.405"

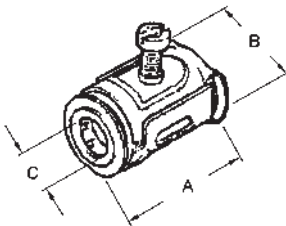
A = Overall length  
 B = Body O.D.  
 C = Throat I.D.



**REDI-LOC® Duplex Cable Connector**

CATALOG NUMBER	A	B	C
2715	1-5/8"	9/16"	1-11/16"

A = Overall length  
 B = Throat I.D.  
 C = Body width



**Screw Type Cable Connectors**

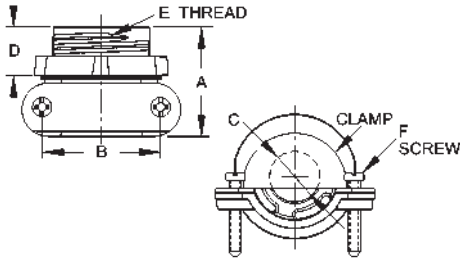
CATALOG NUMBER	A	B	C
2800	1-7/16"	7/8"	7/16"
2801	1-11/16"	1-5/16"	9/16"

A = Overall length  
 B = Body O.D.  
 C = Throat I.D.





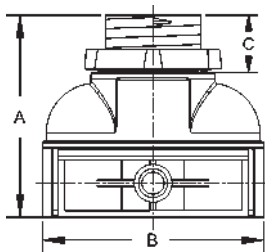
METAL CLAD CABLE CONNECTORS



Clamp Type Cable Connector

CATALOG NUMBER	A	B	C	THREAD SPEC.	D	E
2661	27/32"	7/8"	23/64"	3/8"	1/2-14 NPSM	8-32 x 3/4"

A = Length  
 B = Screw centerlines  
 C = Clamping range  
 D = Thread length  
 E = Thread spec.  
 F = Screw

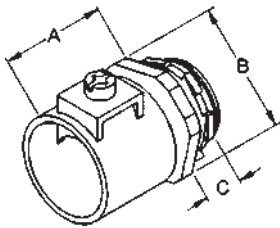


Duplex Connector

CATALOG NUMBER	A	B	C
2611	1-1/2"	1-21/32"	7/16"

A = Overall length  
 B = Width  
 C = Thread length

DOUBLE BITE SADDLE CONNECTORS



Straight DOUBLE BITE Saddle Connectors

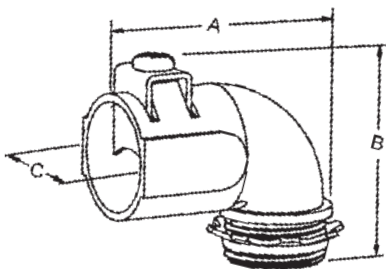
CATALOG NUMBER	A	B	C
3301DB	1-3/16"	1-1/4"	1/2"
3302DB	1-3/8"	1-1/4"	7/16"
3303DB	1-3/8"	1-7/16"	7/16"
3304DB	1-9/16"	1-13/16"	1/2"
3305DB	2-3/16"	2-1/8"	5/8"
3306DB	2-7/16"	2-1/2"	5/8"
3308DB	2-9/16"	3"	5/8"
3310DB	2-11/16"	3-5/8"	13/16"
3312DB	2-13/16"	4-1/4"	15/16"
3314DB	2-15/16"	4-3/4"	1"
3316DB	3"	5-3/16"	1-1/16"

A = Overall length  
 B = O.D. body  
 C = Thread length

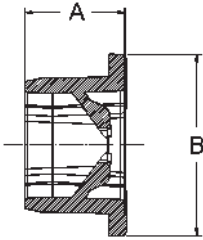
90 Degree DOUBLE BITE Saddle Connectors

CATALOG NUMBER	A	B	C
3201DB	1-3/4"	2-1/16"	1"
3202DB	2-1/8"	2-1/4"	1-1/4"
3203DB	2-1/2"	2-1/2"	1-3/8"
3204DB	2-13/16"	2-7/8"	1-11/16"

A = Throat length  
 B = Overall height  
 C = Throat I.D.



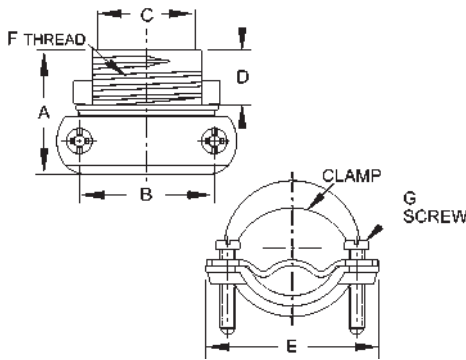
NONMETALLIC SHEATHED CABLE CONNECTORS & ACCESSORIES



**Nonmetallic Sheathed Cable Connector**

CATALOG NUMBER	A	B
4714	5/8"	1-9/64"

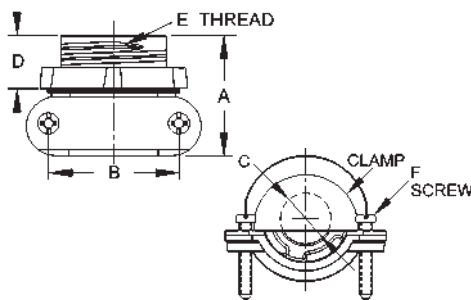
A = Overall length  
B = Flange O.D.



**Clamp Type Cable Connectors**

CATALOG NUMBER	A	B	C	D	E	F	G
2711	13/16"	7/8"	5/8"	23/64"	1-11/64"	1/2"-1/4 NPSM	NO. 8-32 x 3/4"
2863	15/16"	1-3/16"	27/32"	27/64"	1-21/32"	3/4"-1/4 NPSM	NO.10-24 x 1"
2864	1-7/64"	1-7/16"	1-3/64"	33/64"	1-15/16"	1"-11-1/2 NPSM	NO.10-24 x 1"

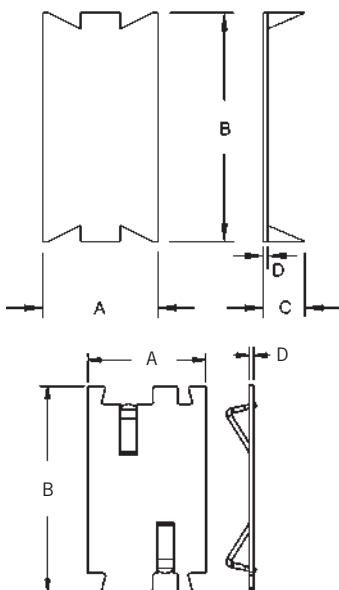
A = Length  
B = Screw centerlines  
C = Throat I.D.  
D = Thread length  
E = Max. body width  
F = Thread spec.  
G = Screw



**Clamp Type Cable Connector**

CATALOG NUMBER	A	B	C	D	E	F
2661	27/32"	7/8"	23/64"	3/8"	1/2"-14 NPSM	8-32 x 3/4"

A = Length  
B = Screw centerlines  
C = Throat I.D.  
D = Thread length  
E = Thread spec.  
F = Screw



**Cable Protectors**

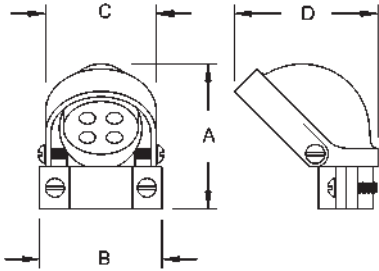
CATALOG NUMBER	A	B	C	D
2709	1-1/2"	2-9/16"	1/2"	1/16"
2709-9	1-1/2"	2-9/16"	1/2"	1/16"
2710	1-1/2"	2-9/16"	1/2"	1/16"

**PUZZLE-PLATE Cable Protectors**

2712	1-1/2"	2-5/8"	—	3/64"
2712-9R	1-1/2"	2-5/8"	—	1/16"
2712R	1-1/2"	2-5/8"	—	1/16"
2713	1-1/2"	5"	—	3/64"
2713R	1-1/2"	5"	—	1/16"

A = Width  
B = Height  
C = Thickness – measure from the tip of the tang  
D = Thickness of material

SERVICE ENTRANCE FITTINGS

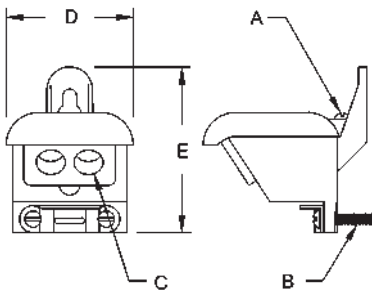


Entrance Heads, Clamp Type for Rigid/IMC or EMT

CATALOG NUMBER	A	B	C	D	INSULATING HOLE DIA.
2402	2-11/16"	2-1/4"	2-1/8"	2-37/64"	4 Holes 19/64" Dia.
2403	2-55/64"	2-1/4"	2-9/32"	2-63/64"	2 Holes 3/8" Dia., 3 Holes 13/32" Dia.
2404	3-9/32"	2-39/64"	2-39/64"	3-3/8"	3 Holes 1/2" Dia., 2 Holes 7/16" Dia.
2405	3-1/4"	3-3/32"	3-3/32"	4-7/32"	3 Holes 5/8" Dia., 2 Holes 7/16" Dia.
2406	4-43/64"	3-3/4"	3-13/32"	5-3/32"	3 Holes 3/4" Dia., 2 Holes 19/32" Dia., 1 Hole 7/16" Dia.
2408	6"	4-1/2"	4-23/32"	6-19/32"	3 Holes 1" Dia., 2 Holes 3/4" Dia., 1 Hole 17/32" Dia.
2410	8"	5-13/16"	6-7/16"	9-57/64"	3 Holes 1-5/16" Dia., 3 Holes 7/8" Dia., 1 Hole 1" Dia.
2412	8-7/64"	6-3/8"	6-7/16"	10-1/64"	3 Holes 1-5/16" Dia., 3 Holes 7/8" Dia., 1 Hole 1" Dia.
2414	9-9/16"	7-7/64"	8-5/32"	13-1/16"	3 Holes 1-5/16" Dia., 4 Holes 1-1/8" Dia.
2416	9-11/32"	7-61/64"	8-5/32"	13-7/32"	3 Holes 1-3/4" Dia., 4 Holes 1-1/8" Dia.

A = Height  
B = Width of clamp

C = Width of head  
D = Depth of head



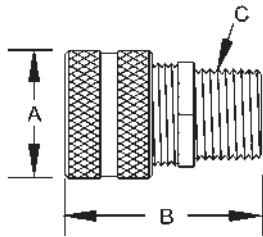
Entrance Heads, Clamp Type for SEU Cable

CATALOG NUMBER	A	B	C	D	E
2430	8-32 x 1/2"	10-24 x 1"	17/32"	3-5/16"	3-5/16"
2440	12-24 x 1/2"	12-24 x 1"	13/16"	4-1/2"	5"

A = Cover screw spec  
B = Clamp screw spec  
C = Hole size

D = Depth of head  
E = Height

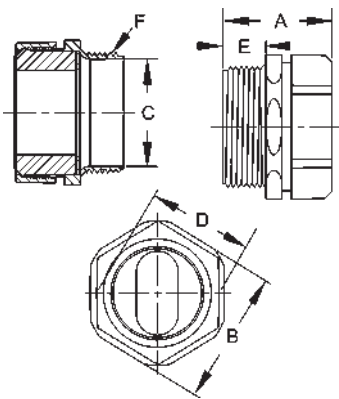
SERVICE ENTRANCE FITTINGS



Underground Feeder (UF) Connectors, Liquid Tight

CATALOG NUMBER	A	B	C
4899-9	1.25"	1.65"	1/2" - 14
4799-1	1.32"	2.03"	1/2" - 14
4799-3	1.56"	2.15"	3/4" - 14
2462	1.25"	1.75"	1/2" - 14

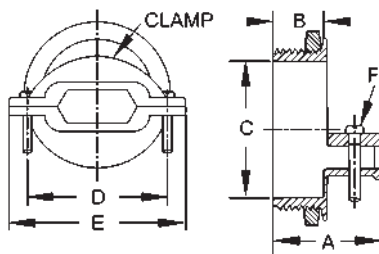
A = Nut O.D.  
 B = Length  
 C = Thread spec



Service Entrance Cable Connectors, Liquid Tight

CATALOG NUMBER	A	B	C	D	E	F
2475	2"	1-27/32"	1-23/64"	1-49/64"	39/64"	1-1/4" -11-1/2
2485	2"	1-27/32"	1-23/64"	1-49/64"	39/64"	1-1/4" -11-1/2
2486	2-3/16"	2-5/32"	1-19/32"	2-7/64"	39/64"	1-1/2" -11-1/2
2498	2-13/32"	2-37/64"	2-1/16"	2-21/32"	49/64"	2" -11-1/2
2468	2-13/32"	2-37/64"	2-1/16"	2-21/32"	49/64"	2" -11-1/2

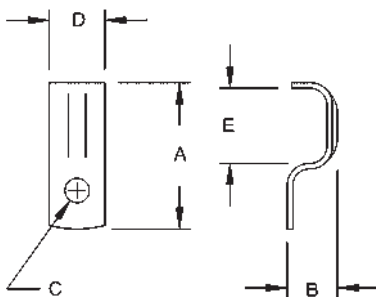
A = Overall length  
 B = Nut across flat  
 C = Throat dia.  
 D = Body across flat  
 E = Thread length  
 F = Thread spec



Non-watertight Connectors for Oval or Round Cable

CATALOG NUMBER	A	B	C	D	E	F
2853/2863	15/16"	27/64"	3/4" - 14 NPSM	1-3/16"	1-21/32"	No. 10-24 x 1"
2854/2864	1-7/64"	33/64"	1" - 11-1/2 NPSM	1-7/16"	1-15/16"	No. 10-24 x 1"
2855	1-5/16"	39/64"	1-1/4" - 11-1/2 NPSM	1-5/8"	2-1/4"	No. 10-24 x 1"
2856	1-21/64"	19/32"	1-1/2" - 11-1/2 NPSM	2-13/64"	2-27/32"	No. 10-24 x 1"
2858	1-37/64"	47/64"	2" - 11-1/2 NPSM	2-3/4"	3-1/2"	No. 12-24 x 1"

A = Overall length  
 B = Thread length and thread spec  
 C = Throat I.D.  
 D = Screw center to center  
 E = Maximum body width  
 F = Screw size



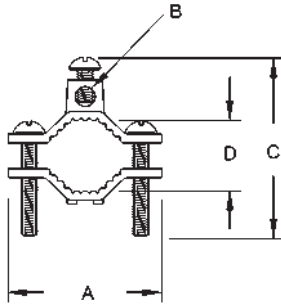
One Hole Cable Straps

CATALOG NUMBER	A	B	C	D	E
2441	1-5/8"	37/64"	9/32"	5/8"	13/16"
2442	1-55/64"	3/4"	9/32"	5/8"	1-3/64"
2443	1-21/32"	1"	9/32"	1"	1-7/16"
2444	2-59/64"	1-9/64"	9/32"	1"	1-45/64"

A = Overall length  
 B = Height  
 C = Hole size  
 D = Width of strap  
 E = Inside length



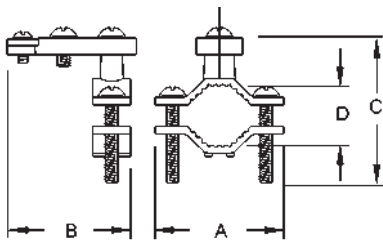
GROUNDING



Ground Clamps for Bare Ground Wires

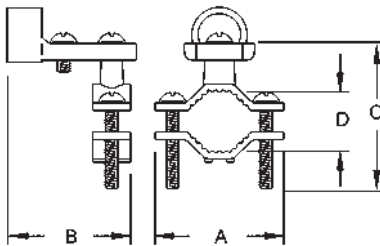
CATALOG NUMBER	A	B	C	D
2504	2-1/4"	5/16"	2-5/16"	11/16"-1-5/16"
2505	3-9/16"	5/16"	3-1/8"	1-3/8"-2-1/2"

A = Width  
 B = Hole diameter  
 C = Height  
 D = Min./Max. clamping range



Ground Clamps for Bare Armored Ground Wires

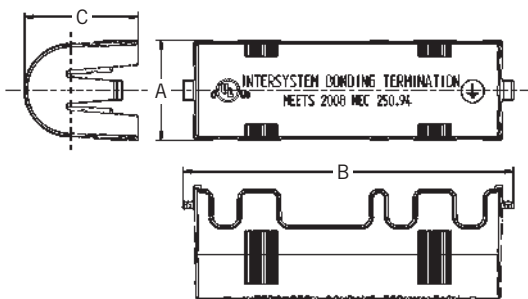
CATALOG NUMBER	A	B	C	D
2507	2-1/4"	2-3/8"	2-3/4"	9/16"-1-5/16"
2508	3-5/8"	2-1/4"	3-5/8"	1-3/8"-2-1/2"



Ground Clamps for 1/2" Rigid Conduit

CATALOG NUMBER	A	B	C	D
2512	2-1/4"	2-1/2"	3-1/8"	5/8"-1-3/8"
2522	3-9/16"	1-15/16"	3-1/2"	1-1/4"-2-1/2"
2513	2-5/16"	2-1/8"	3-1/2"	11/16"-1-3/8"
2523	3-5/8"	2-3/16"	4-3/8"	1-7/16"-2-1/2"

A = Width  
 B = Length  
 C = Height  
 D = Min./Max. clamping range

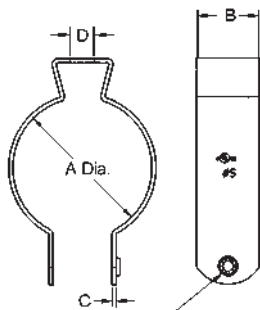
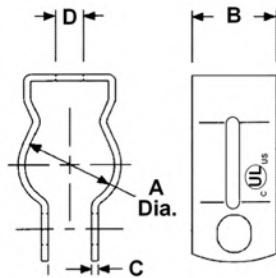


Intersystem Bonding Bridge for Solid or Stranded Conductors

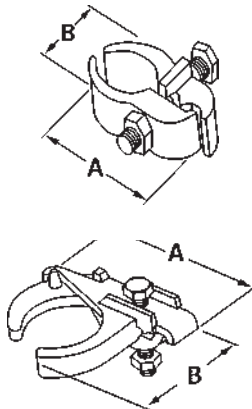
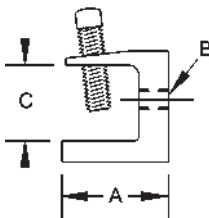
CATALOG NUMBER	A	B	C
RACIBB-5	1.378"	4.606"	1.575"
RACIBB	1.378"	4.606"	1.575"

A = Width  
 B = Length  
 C = Height

CONDUIT SUPPORT FITTINGS



1/4-20UNC-2B THREAD ON EXTRUDED HOLE



Conduit Hangers with Nut and Bolt

CATALOG NUMBER	A	B	C	D
2052	0.80"	0.75"	0.04"	0.25"
2053	1.00"	0.75"	0.04"	0.25"
2054	1.20"	0.87"	0.04"	0.25"
2041	1.50"	0.87"	0.04"	0.25"
2055	1.70"	0.87"	0.04"	0.25"
2056	1.87"	1.00"	0.04"	0.31"
2058	2.25"	1.00"	0.04"	0.31"
2057	2.87"	1.25"	0.63"	0.31"
2059	3.50"	1.25"	0.63"	0.31"
2060	4.00"	1.25"	0.63"	0.31"
2061	4.50"	1.25"	0.63"	0.31"

Conduit Hangers with Bolt and Threaded Hole

CATALOG NUMBER	A	B	C	D
2052TH	0.78"	0.73"	.055 - .062"	0.26"
2053TH	0.99"	0.72"	.055 - .062"	0.26"
2054TH	1.25"	0.89"	.055 - .062"	0.26"
2041TH	1.52"	0.88"	.055 - .062"	0.26"
2055TH	1.71"	1.00"	.055 - .062"	0.33"
2056TH	1.92"	1.00"	.055 - .062"	0.33"
2058TH	2.30"	1.00"	.055 - .062"	0.33"

Beam Clamps

CATALOG NUMBER	A	B	C
2500	1-23/32"	1/4" - 20	21/32"
2524	1-11/32"	1/4" - 20	27/32"
2536	1-1/2"	5/16" - 8	15/16"
2538	1-27/32"	3/8" - 16	1-3/16"
2510	2-11/32"	1/2" - 13	1-1/4"

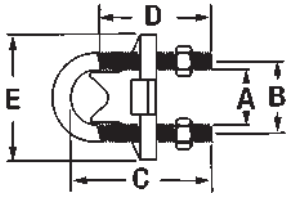
Parallel Conduit Clamps

CATALOG NUMBER	A	B
2322PC	2-7/8"	1-7/16"
2323PC	3-1/16"	1-11/16"
2324PC	3-1/4"	2"
2325PC	3-5/8"	2-1/8"
2326PC	3-7/8"	2-3/16"
2328PC	4-5/8"	2-7/8"
2330PC	5-1/4"	3-1/4"
2332PC	5-7/8"	3-7/8"
2334PC	6-5/16"	4-5/16"
2336PC	6-13/16"	4-13/16"

Edge Conduit Clamps

CATALOG NUMBER	A	B
2302EC	2-13/16"	2-1/8"
2303EC	2-15/16"	2-3/8"
2304EC	3-1/16"	2-5/8"
2305EC	3-1/16"	3-1/16"
2306EC	3-15/16"	3-1/4"
2308EC	4-1/2"	4-1/16"
2310PC	5-1/8"	4-5/8"
2312PC	5-3/4"	5-1/4"

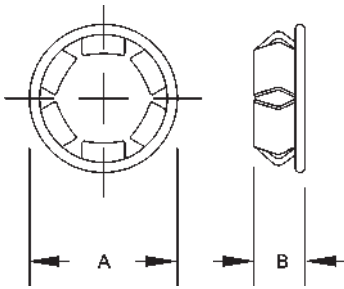
CONDUIT SUPPORT FITTINGS



Right Angle Conduit Clamps

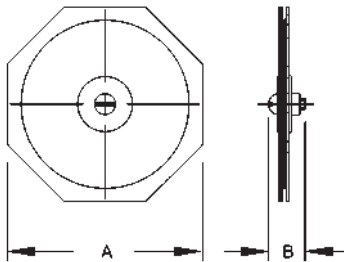
CATALOG NUMBER	A	B	C	D	E
2352RC	1"	1-1/4"	2-1/2"	1-13/16"	2-1/16"
2353RC	1-1/8"	1-33/8"	2-13/16"	1-13/16"	2-1/4"
2354RC	1-3/8"	1-5/8"	3-1/16"	1-13/16"	2-9/16"
2355RC	1-3/4"	2"	3-3/16"	1-13/16"	2-7/8"
2356RC	2"	2-3/8"	3-1/2"	1-13/16"	3-1/4"
2358RC	2-1/2"	2-1/2"	4-1/2"	2-5/8"	4-1/16"
2360RC	3"	3-1/4"	4-7/8"	2-5/8"	4-1/2"
2362RC	3-1/2"	3-7/8"	5-3/8"	2-5/8"	5-1/8"
2364RC	4"	4-9/16"	5-7/8"	2-5/8"	5-5/8"
2366RC	4-11/16"	5-1/16"	6-11/16"	2-5/8"	6-1/8"

MISCELLANEOUS FITTINGS



Knockout Seals, One Piece

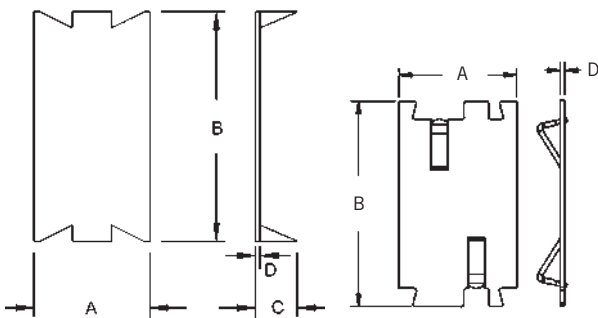
CATALOG NUMBER	A	B
1042	1-5/64"	23/64"
1043	1-15/64"	5/16"
1044	1-29/64"	11/32"
1045	1-13/16"	11/32"
1046	2-13/64"	11/32"
1048	2-43/64"	3/8"



Knockout Seals, Two Piece

CATALOG NUMBER	A	B
1037	3-3/16"	5/8"
1039	3-13/16"	5/8"
1040	4-3/8"	5/8"
1041	4-29/32"	5/8"

A = O. D.  
B = Height



Cable Protectors

CATALOG NUMBER	A	B	C	D
2709	1-1/2"	2-9/16"	1/2"	1/16"
2709-9	1-1/2"	2-9/16"	1/2"	1/16"
2710	1-1/2"	2-9/16"	1/2"	1/16"

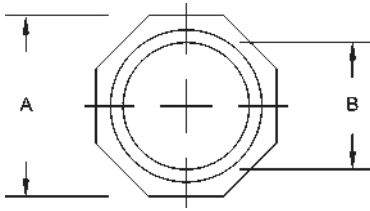
PUZZLE-PLATE Cable Protectors

2712	1-1/2"	2-5/8"	—	3/64"
2712-9R	1-1/2"	2-5/8"	—	1/16"
2712R	1-1/2"	2-5/8"	—	1/16"
2713	1-1/2"	5"	—	3/64"
2713R	1-1/2"	5"	—	1/16"

A = Width  
B = Height

C = Thickness – measure from the tip of the tang  
D = Thickness of material

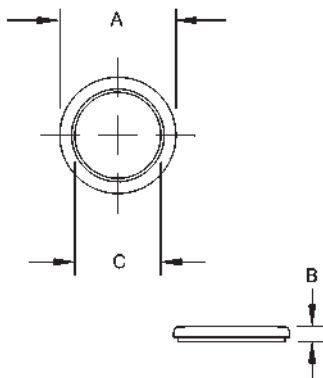
MISCELLANEOUS FITTINGS



Reducing Washers

CATALOG NUMBER	A	B
1365	1-1/4"	7/8"
1366	1-17/32"	7/8"
1367	1-17/32"	1-3/32"
1368	1-31/32"	7/8"
1369	1-31/32"	1-3/32"
1370	1-31/32"	1-3/8"
1371	2-5/32"	7/8"
1372	2-5/32"	1-3/32"
1373	2-5/32"	1-3/8"
1374	2-5/32"	1-3/4"
1375	2-11/16"	7/8"
1376	2-11/16"	1-3/32"
1377	2-11/16"	1-3/8"
1378	2-11/16"	1-3/4"
1379	2-11/16"	1-31/32"
1380	3-3/16"	1-3/8"
1381	3-3/16"	1-3/4"
1382	3-3/16"	1-31/32"
1383	3-3/16"	2-15/32"
1384	3-13/16"	1-3/4"
1385	3-13/16"	1-31/32"
1386	3-13/16"	2-15/32"
1387	3-13/16"	3"
1389	4-3/8"	2-15/32"
1390	4-3/8"	3"
1391	4-3/8"	3-5/8"
1392	4-29/32"	2-15/32"
1393	4-29/32"	3"
1394	4-29/32"	3-5/8"

A = Across flats  
B = I.D.



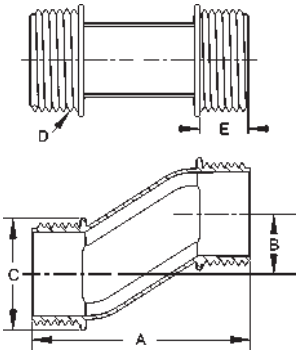
Sealing Washers - Steel

CATALOG NUMBER	A	B	C
2452	1-5/64"	5/64"	51/64"
2452-8	1-5/64"	5/64"	51/64"
2453	1-11/32"	5/32"	1"
2453-8	1-11/32"	5/32"	1"
2454	1-5/8"	11/64"	1-1/4"
2454-8	1-5/8"	11/64"	1-1/4"
2455	2"	11/64"	1-39/64"
2456	2-23/64"	3/16"	1-27/32"
2458	2-53/64"	3/16"	2-5/16"

A = O.D.  
B = Thickness  
C = I.D.



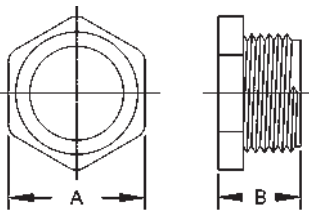
MISCELLANEOUS FITTINGS



Offset Nipples

CATALOG NUMBER	A	B	C	D	E
1452	2-27/64"	3/4"	15/16"	1/2" - 14 NPSM	7/16"
1453	2-13/32"	3/4"	1-3/16"	3/4" - 14 NPSM	7/16"
1454	2-23/32"	3/4"	1-25/64"	1" - 11/12 NPSM	39/64"
1455	2-13/16"	3/4"	1-13/16"	1-1/4" - 11-1/2 NPSM	19/32"
1456	3-1/32"	3/4"	2-1/16"	1-1/2" - 11-1/2 NPSM	11/16"
1458	3-5/32"	3/4"	2-9/16"	2" - 11-1/2 NPSM	3/4"

A = Overall length  
 B = Offset  
 C = Hub dia.  
 D = Thread spec  
 E = Thread length



Uninsulated Nipples

CATALOG NUMBER	A	B
1662	15/16"	19/32"
1663	1-3/16"	23/32"
1664	1-3/8"	55/64"
1665	1-47/64"	7/8"
1666	2-1/8"	29/32"
1668	2-35/64"	1-5/32"
1670	3-7/32"	1-7/16"
1672	3-51/64"	1-7/16"
1674	4-17/64"	1-7/16"
1676	4-51/64"	1-7/16"

A = Across flats  
 B = Length

**HUBBELL® TAYMAC® WEATHERPROOF**



## STANDARDS

HUBBELL® TAYMAC® UPC Vendor Number 092326 or 050169.

Where applicable, HUBBELL® TAYMAC® products are engineered in accordance with the standards established by Underwriters Laboratories and the Canadian Standards Association. Dimensional data listed in this catalog is intended for general reference with broad tolerance limits.

**2014 NEC®**

When specifying HUBBELL® TAYMAC® Weatherproof boxes and covers, consult the requirements of the National Electrical Code®, Section 314.16 (B) and 406.9 (B). Section 314.16 (B) details the NEC® requirements for the maximum number of conductors allowed for a HUBBELL® TAYMAC® Weatherproof installation. Article 406.9 (B) provides details on the NEC® requirements for receptacles being used in wet locations.

For your convenience, we have reprinted the pertinent NEC® sections. In all cases, consult your local electrical code and inspector interpretation.

**Wiring Capacity: HUBBELL® TAYMAC® Weatherproof Boxes and Extensions****Maximum Number of Conductors or Minimum Size Box (Article 314.16 (B))**

The purpose of Section 314.16 (B) is to determine the maximum conductor count or the minimum box size required for the job. It also can be used to figure how many other conductors may be added without exceeding the Code-prescribed limit. Most applications have determined the number of conductors. The rules of Section 314.16 (B) are used to determine the Code recognized limit, or smallest box that may be installed.

Selection of any HUBBELL® TAYMAC® Weatherproof box or extension for use in any electrical circuit work must take into consideration the maximum number of wires permitted in the box. Safe electrical practice demands that wires not be jammed into boxes because of the possibility of nicks, abrasions, or other damage to the insulating material, creating the potential for ground faults or short circuits.

**314.16 Number of Conductors in Outlet, Device, and Junction Boxes, and Conduit Bodies.** Boxes and conduit bodies shall be of an approved size to provide free space for all enclosed conductors. In no case shall the volume of the box, as calculated in 314.16(A), be less than the fill calculation as calculated in 314.16(B). The minimum volume for conduit bodies shall be as calculated in 314.16(C).

The provisions of this section shall not apply to terminal housings supplied with motors or generators.

Boxes and conduit bodies enclosing conductors 4 AWG or larger shall also comply with the provisions of 314.28.

**(A) Box Volume Calculations.** The volume of a wiring enclosure (box) shall be the total volume of the assembled sections and, where used, the space provided by plaster rings, domed covers, extension rings, and so forth, that are marked with their volume or are made from boxes the dimensions of which are listed in Table 314.16(A). (1) Standard Boxes. The volumes of standard boxes that are not marked with their volume shall be as given in Table 314.16(A).

**(2) Other Boxes.** Boxes 1650 cm<sup>3</sup> (100 in.<sup>3</sup>) or less, other than those described in Table 314.16(A), and nonmetallic boxes shall be durably and legibly marked by the manufacturer with their volume. Boxes described in Table 314.16(A) that have a volume larger than is designated in the table shall be permitted to have their volume marked as required by this section.

**(B) Box Fill Calculations.** The volumes in paragraphs 314.16(B)(1) through (B)(5), as applicable, shall be added together. No allowance shall be required for small fittings such as locknuts and bushings.

**(1) Conductor Fill.** Each conductor that originates outside the box and terminates or is spliced within the box shall be counted once, and each conductor that passes through the box without splice or termination shall be counted once. Each loop or coil of unbroken conductor not less than twice the

minimum length required for free conductors in 300.14 shall be counted twice. The conductor fill shall be calculated using Table 314.16(B). A conductor, no part of which leaves the box, shall not be counted.

*Exception: An equipment grounding conductor or conductors or not over four fixture wires smaller than 14 AWG, or both, shall be permitted to be omitted from the calculations where they enter a box from a domed luminaire or similar canopy and terminate within that box.*

**(2) Clamp Fill.** Where one or more internal cable clamps, whether factory or field supplied, are present in the box, a single volume allowance in accordance with Table 314.16(B) shall be made based on the largest conductor present in the box. No allowance shall be required for a cable connector with its clamping mechanism outside the box.

**(3) Support Fittings Fill.** Where one or more luminaire studs or hickies are present in the box, a single volume allowance in accordance with Table 314.16(B) shall be made for each type of fitting based on the largest conductor present in the box.

**(4) Device or Equipment Fill.** For each yoke or strap containing one or more devices or equipment, a double volume allowance in accordance with Table 314.16(B) shall be made for each yoke or strap based on the largest conductor connected to a device(s) or equipment supported by that yoke or strap. A device or utilization equipment wider than a single 50 mm (2 in.) device box as described in Table 314.16(A) shall have double volume allowances provided for each gang required for mounting.

**(5) Equipment Grounding Conductor Fill.** Where one or more equipment grounding conductors or equipment bonding jumpers enter a box, a single volume allowance in accordance with Table 314.16(B) shall be made based on the largest equipment grounding conductor or equipment bonding jumper present in the box. Where an additional set of equipment grounding conductors, as permitted by 250.146(D),

is present in the box, an additional volume allowance shall be made based on the largest equipment grounding conductor in the additional set.

### (C) Conduit Bodies.

**(1) General.** Conduit bodies enclosing 6 AWG conductors or smaller, other than short-radius conduit bodies as described in 314.16(C)(3), shall have a cross-sectional area not less than twice the cross-sectional area of the largest conduit or tubing to which they can be attached. The maximum number of conductors permitted shall be the maximum number permitted by Table 1 of Chapter 9 for the conduit or tubing to which it is attached.

**(2) With Splices, Taps, or Devices.** Only those conduit bodies that are durably and legibly marked by the manufacturer with their volume shall be permitted to contain splices, taps, or devices. The maximum number of conductors shall be calculated in accordance with 314.16(B). Conduit bodies shall be supported in a rigid and secure manner.

**(3) Short Radius Conduit Bodies.** Conduit bodies such as capped elbows and service-entrance elbows that enclose conductors 6 AWG or smaller, and are only intended to enable the installation of the raceway and the contained conductors, shall not contain splices, taps, or devices and shall be of an approved size to provide free space for all conductors enclosed in the conduit body.

### 406.9 Receptacles in Damp or Wet Locations.

**(A) Damp Locations.** A receptacle installed outdoors in a location protected from the weather or in other damp locations shall

have an enclosure for the receptacle that is weatherproof when the receptacle is covered (attachment plug cap not inserted and receptacle covers closed).

An installation suitable for wet locations shall also be considered suitable for damp locations.

A receptacle shall be considered to be in a location protected from the weather where located under roofed open porches, canopies, marquees, and the like, and will not be subjected to a beating rain or water runoff. All 15- and 20-ampere, 125- and 250-volt nonlocking receptacles shall be a listed weather-resistant type.

*Informational Note:* The types of receptacles covered by this requirement are identified as 5-15, 5-20, 6-15, and 6-20 in ANSI/NEMA WD 6-2002, National Electrical Manufacturers Association Standard for Dimensions of Attachment Plugs and Receptacles.

### (B) Wet Locations.

**(1) Receptacles of 15 and 20 Amperes in a Wet Location.** 15- and 20-ampere, 125- and 250-volt receptacles installed in a wet location shall have an enclosure that is weatherproof whether or not the attachment plug cap is inserted. An outlet box hood installed for this purpose shall be listed and shall be identified as “extra-duty.” All 15- and 20-ampere, 125- and 250-volt nonlocking-type receptacles shall be listed weather-resistant type.

*Informational Note No. 1:* Requirements for extra-duty outlet box hoods are found in ANSI/UL 514D-2000, Cover Plates for Flush-Mounted Wiring Devices.

*Informational Note No. 2:* The types of receptacles covered by this requirement are identified as 5-15, 5-20, 6-15, and 6-20 in ANSI/NEMA WD 6-2002, National Electrical Manufacturers Association Standard for Dimensions of Attachment Plugs and Receptacles.

*Exception:* 15- and 20-ampere, 125- through 250-volt receptacles installed in a wet location and subject to routine high-pressure spray washing shall be permitted to have an enclosure that is weatherproof when the attachment plug is removed.

**(2) Other Receptacles.** All other receptacles installed in a wet location shall comply with (B)(2)(a) or (B)(2)(b).

(a) A receptacle installed in a wet location, where the product intended to be plugged into it is not attended while in use, shall have an enclosure that is weatherproof with the attachment plug cap inserted or removed.

(b) A receptacle installed in a wet location where the product intended to be plugged into it will be attended while in use (e.g., portable tools) shall have an enclosure that is weatherproof when the attachment plug is removed.

**(C) Bathtub and Shower Space.** Receptacles shall not be installed within or directly over a bathtub or shower stall.

**(D) Protection for Floor Receptacles.** Standpipes of floor receptacles shall allow floor-cleaning equipment to be operated without damage to receptacles.

**(E) Flush Mounting with Faceplate.** The enclosure for a receptacle installed in an outlet box flush-mounted in a finished surface shall be made weatherproof by means of a weatherproof faceplate assembly that provides a watertight connection between the plate and the finished surface.

National Electric Code® and NEC® is a registered Trademark of the National Fire Protection Association.

## GENERAL FEATURES AND BENEFITS

**HUBBELL® TAYMAC® Weatherproof products all offer these features and benefits:**

- Rugged seamless die cast construction that will not allow entry of moisture
- Reinforced connector outlets to provide a secure mechanical installation
- State-of-the-art powder coat paint for maximum weatherability and scratch resistance
- Bilingual instructions provided with every product
- Installation hardware and ground screws included where applicable
- Shrink-wrap packaging that keeps all components together
- UPC-A barcoding to help lower transaction costs

Refer to the pages that follow for more specific information about HUBBELL® TAYMAC® products.

NON-METALLIC WHILE-IN-USE COVERS

1-GANG

APPLICATIONS

- Designed for use whenever weatherproof protection is required while an outlet is in use

PRODUCT FEATURES

- High-impact polycarbonate construction provides maximum durability
- Patented Quick-Fit™ keyhole mounting system allows installation in under a minute
- Includes attached gasket and mounting hardware
- Pre-configured for GFCI with patented Knock-Out™ technology for alternate devices
- Lockable tab
- Made in USA

COMPLIANCES

- UL File E116141
- 2014 NEC® compliant (article 406.9)
- NEMA 3R rated

U.S. Patents: 7,348,486; 7,282,645; 7,119,277; 6,960,221; 6,790,816; 6,642,453



MM410C

MM410G

MM410W

MM410CW

MM410CA



MM510C



MM710C

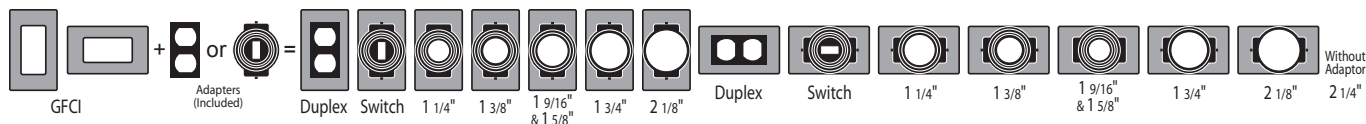


MM510G

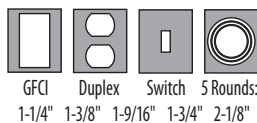


MM710G

16-in-1 CONFIGURATIONS



16-in-1 CONFIGURATIONS



Fits Full-Size Padlock



MM420C



MM420G



MM720C



MM720G

CATALOG #	DESCRIPTION	DEPTH	COLOR	PKG. TYPE	STD. PKG.	BARCODE
<b>1-Gang In-Use Covers</b>						
MM410C	Horizontal/Vertical 16-in-1 Standard	2.75"	Clear	Shrink	10	
MM410CA	Horizontal/Vertical 16-in-1 Standard w/Round Box Adaptor	2.75"	Clear	Shrink	10	
MM410CW	Horizontal/Vertical 16-in-1 Standard	2.75"	Clear w/ White Base	Shrink	10	
MM410G	Horizontal/Vertical 16-in-1 Standard	2.75"	Gray	Shrink	10	
MM410W	Horizontal/Vertical 16-in-1 Standard	2.75"	White	Shrink	10	
MM510C	Horizontal/Vertical 16-in-1 Deep	3.25"	Clear	Shrink	8	
MM510G	Horizontal/Vertical 16-in-1 Deep	3.25"	Gray	Shrink	8	
MM710C	Horizontal/Vertical 16-in-1 Jumbo	4.75"	Clear	Shrink	5	
MM710G	Horizontal/Vertical 16-in-1 Jumbo	4.75"	Gray	Shrink	5	
MM420C	Extra Duty® Horizontal/Vertical 16-in-1 Standard	2.75"	Clear	Shrink	8	
MM420G	Extra Duty® Horizontal/Vertical 16-in-1 Standard	2.75"	Gray	Shrink	8	
MM720C	Extra Duty® Horizontal/Vertical 16-in-1 Jumbo	4.75"	Clear	Shrink	4	
MM720G	Extra Duty® Horizontal/Vertical 16-in-1 Jumbo	4.75"	Gray	Shrink	4	

NON-METALLIC WHILE-IN-USE COVERS

2-GANG



MM7440C



MM7440G

APPLICATIONS

- Designed for use whenever weatherproof protection is required while an outlet is in use

PRODUCT FEATURES

- High-impact polycarbonate construction provides maximum durability
- Patented Quick-Fit™ keyhole mounting system allows installation in under a minute
- Includes attached gasket and mounting hardware
- Pre-configured for GFCI\* with patented Knock-Out™ technology for alternate devices
- Lockable tab
- Made in USA

COMPLIANCES

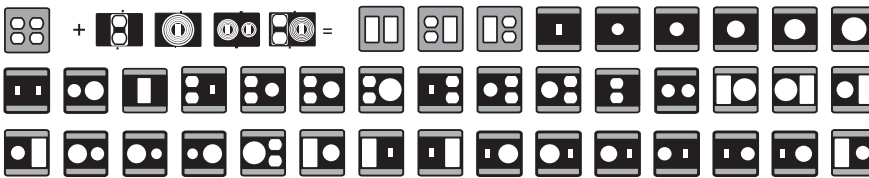
- UL File E116141
- 2014 NEC® compliant (article 406.9)
- NEMA 3R rated

U.S. Patent 8,314,335

\* MM7440 pre-configured for Duplex.  
MM2410/MM2420 pre-configured for GFCI.

**40<sup>in</sup>1**

CONFIGURATIONS



Multiple combinations of duplex, GFCI, switch and rounds: 1-3/8", 1-5/8", 1-3/4", 2-1/4", 2-5/8"



MM2410C



MM2410G



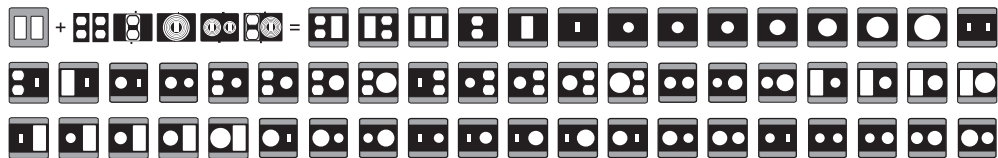
MM2420C



MM2420G

**55<sup>in</sup>1**

CONFIGURATIONS



Multiple combinations of duplex, GFCI, switch, and rounds: 1-1/4", 1-3/8", 1-9/16", 1-5/8", 1-11/16", 1-3/4", 2-1/8", 2-1/4", 2-7/16"

CATALOG #	DESCRIPTION	DEPTH	COLOR	PKG. TYPE	STD. PKG.	BARCODE
<b>2-Gang In-Use Covers</b>						
MM7440C	55-in-1 Jumbo	4.75"	Clear	Shrink	3	
MM7440G	55-in-1 Jumbo	4.75"	Gray	Shrink	3	
MM2410C	55-in-1 Standard	2.75"	Clear	Shrink	6	
MM2410G	55-in-1 Standard	2.75"	Gray	Shrink	6	
MM2420C	Extra Duty® 55-in-1 Standard	2.75"	Clear	Shrink	6	
MM2420G	Extra Duty® 55-in-1 Standard	2.75"	Gray	Shrink	6	

NON-METALLIC FLAT DEVICE COVERS

APPLICATIONS

- For use whenever weatherproof protection is required for an outdoor receptacle or switch.

PRODUCT FEATURES

- High-impact polycarbonate construction provides maximum durability
- Patented Quick-Fit™ keyhole mounting system allows installation in under a minute
- Includes attached gasket and mounting hardware
- Base configuration with patented Knock-Out™ technology for custom fitting
- Lockable tab
- Made in USA

COMPLIANCES

- File E116141
- 2014 NEC® compliant (article 406.9)
- NEMA 3R rated

1-GANG



MM110C

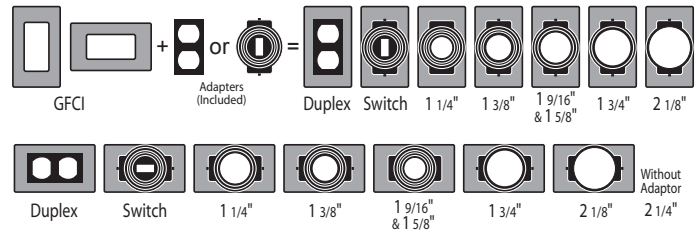


MM110G



MM110W

**16-in-1**  
CONFIGURATIONS



2-GANG



MM1410C

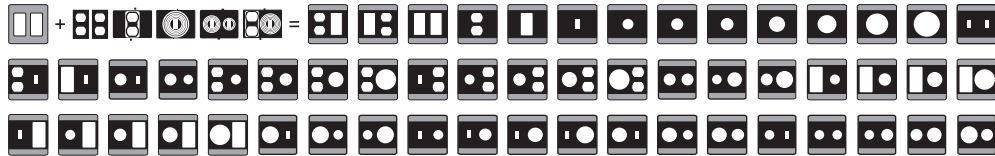


MM1410G



MM1410W

**55-in-1**  
CONFIGURATIONS



Multiple combinations of duplex, GFI, switch, and rounds: 1-1/4", 1-3/8", 1-9/16", 1-5/8", 1-11/16", 1-3/4", 2-1/8", 2-1/4", 2-7/16"

CATALOG #	DESCRIPTION	DEPTH	COLOR	PKG. TYPE	STD. PKG.	BARCODE
<b>1-Gang Flat Covers</b>						
MM110C	Horizontal/Vertical 16-in-1	.625"	Clear	Shrink	10	
MM110G	Horizontal/Vertical 16-in-1	.625"	Gray	Shrink	10	
MM110W	Horizontal/Vertical 16-in-1	.625"	White	Shrink	10	
<b>2-Gang Flat Covers</b>						
MM1410C	55-in-1	.625"	Clear	Shrink	10	
MM1410G	55-in-1	.625"	Gray	Shrink	10	
MM1410W	55-in-1	.625"	White	Shrink	10	

NON-METALLIC LOW PROFILE WHILE-IN-USE COVERS

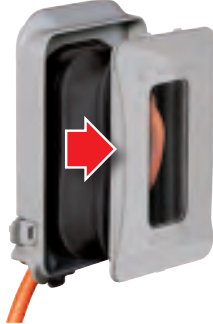
1-GANG

In For Looks



ML450G

Out For Use



Cut-Away View



ML450W



ML450Z



ML500G, ML500W, ML500Z

APPLICATIONS

- Low profile design that is expandable for weatherproof protection while an outlet is in use.

PRODUCT FEATURES

- Revolutionary patented design expands from 1" to 3-1/2" to for while-in-use needs
- 100% paintable surface
- Ultra rugged polycarbonate & synthetic neoprene rubber will not dry rot, crack or deteriorate in sunlight
- Includes attached gasket and mounting hardware
- Patented Quick-Fit™ keyhole mounting system allows installation in under a minute

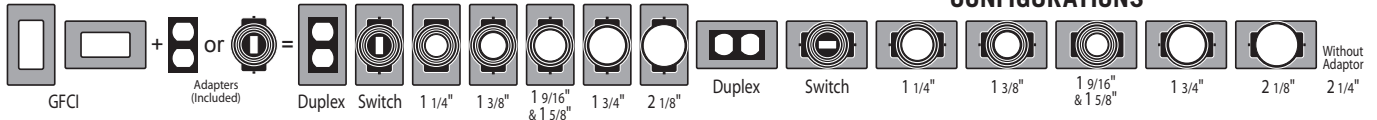
COMPLIANCES

- UL File E116141
- 2014 NEC® compliant (article 406.9)
- NEMA 3R rated

U.S. Patents: 8,101,861; 8,319,334; 8,053,671

**16<sup>in</sup>1**

CONFIGURATIONS



2-GANG



ML2450G



ML2500G

**55<sup>in</sup>1**

CONFIGURATIONS



Multiple Combinations of GFCI, Duplex, Switch, and Rounds:  
1-1/4" 1-3/8" 1-9/16" 1-11/16" 2-1/8" 2-1/4" 2-7/16" & 1-5/8"

CATALOG #	DESCRIPTION	DEPTH	COLOR	PKG. TYPE	STD. PKG.	BARCODE
<b>1-Gang Flat Expandable In-Use Covers</b>						
ML450G	16-in-1 Flat Expandable Vertical/Horizontal	1" to 3.5"	Gray	Shrink	10	
ML450W	16-in-1 Flat Expandable Vertical/Horizontal	1" to 3.5"	White	Shrink	10	
ML450Z	16-in-1 Flat Expandable Vertical/Horizontal	1" to 3.5"	Bronze	Shrink	10	
ML500G	16-in-1 Flat Expandable Vertical/Horizontal, Extra Duty®	1" to 3.5"	Gray	Shrink	10	
ML500W	16-in-1 Flat Expandable Vertical/Horizontal, Extra Duty®	1" to 3.5"	White	Shrink	10	
ML500Z	16-in-1 Flat Expandable Vertical/Horizontal, Extra Duty®	1" to 3.5"	Bronze	Shrink	10	
<b>2-Gang Flat Expandable In-Use Covers</b>						
ML2450G	55-in-1 Flat Expandable	1" to 3.5"	Gray	Shrink	6	
ML2500G	55-in-1 Flat Expandable, Extra Duty®	1" to 3.5"	Gray	Shrink	6	



NON-METALLIC RECEPTACLE / COVER COMBOS AND COMPLETE KITS

IN-USE COVER COMBOS AND COMPLETE KITS

APPLICATIONS

- Receptacle and cover combos for use whenever weatherproof protection is required while receptacle is in use.

PRODUCT FEATURES

- High quality Hubbell WRTR device included
- Patented Quick-Fit™ keyhole mounting system allows cover installation in under a minute
- Includes attached gasket and hardware
- Lockable tab
- Includes receptacle and cover
- Installation instructions and mounting hardware included

COMPLIANCES

- UL File E313240
- 2014 NEC® compliant
- NEMA 3R rated

U.S. Patents: 6,420,654  
6,420,653



CATALOG #	DESCRIPTION	DEPTH	COLOR	PKG. TYPE	STD. PKG.	BARCODE
<b>Receptacle / In-Use Cover Combos</b>						
MD410C	Hubbell WRTR 15 AMP Decorator Duplex / Cover Combo	2.75"	Clear	Shrink	10	
MG410C	Hubbell WRTR 15 AMP GFCI / Cover Combo	2.75"	Clear	Shrink	10	
MD510C	Hubbell WRTR 15 AMP Decorator Duplex / Deep Cover Combo	3.25"	Clear	Shrink	8	
MG510C	Hubbell WRTR 15 AMP GFCI / Deep Cover Combo	3.25"	Clear	Shrink	8	
MG420C	Hubbell WRTR 15 AMP GFCI / Extra Duty® Cover Combo	2.75"	Clear	Shrink	4	
MD450G	Hubbell WRTR 15 AMP Duplex / Expandable Cover Combo	2.75"	Clear	Shrink	4	
MG450G	Hubbell WRTR 15 AMP GFCI / Expandable Cover Combo	2.75"	Clear	Shrink	4	
<b>Complete In-Use Cover Kits</b>						
MKG410C	In-Use Cover, Box and Hubbell WRTR 15A GFCI Kit	2.75"	Clear/Black/Gray	Box	4	
MKG420C	Extra Duty® In-Use Cover, Box and Hubbell WRTR 15A GFCI Kit	2.75"	Clear/Black/Gray	Box	4	

RECEPTACLE / METAL COVER COMBOS AND COMPLETE KITS

FLIP COVER COMBOS



MD1050S



MG1050S



MD1250S



MG1250S

APPLICATIONS

- Receptacle and metal cover combos for use whenever weatherproof protection is required.

PRODUCT FEATURES

- High quality Hubbell WRTR device included
- Heavy duty die-cast metal construction
- Includes gasket and mounting hardware
- Premium powdercoat finish
- Lockable tab
- Includes receptacle and cover

COMPLIANCES

- File E212332
- 2014 NEC® compliant
- NEMA 3R rated

U.S. Patents: D 569,811; 6,420,653

METAL IN-USE COVER COMBOS AND COMPLETE KITS



MD5881-0



MG5881-0



MD5802-0



MG5802-0



MKG4280S

CATALOG #	DESCRIPTION	DEPTH	COLOR	PKG. TYPE	STD. PKG.	BARCODE
<b>Receptacle / Flip Cover Combos</b>						
MD1050S	Hubbell WRTR 15A Duplex / Vertical/Horizontal Flip Cover Combo		Gray	Shrink	8	
MG1050S	Hubbell WRTR 15A GFCI / Vertical/Horizontal Flip Cover Combo		Gray	Shrink	8	
MD1250S	Hubbell WRTR 15A Duplex / Horizontal/Vertical Flip Cover Combo		Gray	Shrink	8	
MG1250S	Hubbell WRTR 15A GFCI / Horizontal/Vertical Flip Cover Combo		Gray	Shrink	8	
<b>Receptacle / Metal In-Use Cover Combos</b>						
MD5881-0	Hubbell WRTR 15A Duplex / Vertical In-Use Metal Cover Combo	3"	Gray	Shrink	4	
MG5881-0	Hubbell WRTR 15A GFCI / Vertical In-Use Metal Cover Combo	3"	Gray	Shrink	4	
MD5802-0	Hubbell WRTR 15A Duplex / Horizontal In-Use Metal Cover Combo	3"	Gray	Shrink	3	
MG5802-0	Hubbell WRTR 15A GFCI / Horizontal In-Use Metal Cover Combo	3"	Gray	Shrink	3	
<b>Complete Metal In-Use Cover Kits</b>						
MKG4280S	In-Use Cover, Box and Hubbell WRTR 15A GFCI Kit	3.5"	Gray	Clamshell	4	

METAL WHILE-IN-USE COVERS


APPLICATIONS

- Designed for use whenever weatherproof protection is required while an outlet is in use.

PRODUCT FEATURES

- Heavy duty die-cast metal construction
- Meets or exceeds Extra Duty® specifications
- Patented Quick-Fit™ keyhole mounting system allows cover installation in under a minute
- Includes gasket and mounting hardware
- Base configuration with patented Knock-Out™ technology for custom fitting
- Premium powdercoat finish
- Lockable tab

COMPLIANCES

-  File E212332
- 2014 NEC® compliant
- NEMA 3R rated

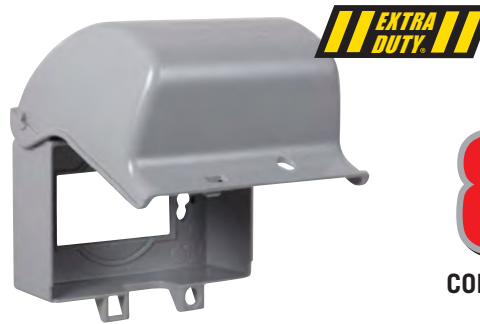
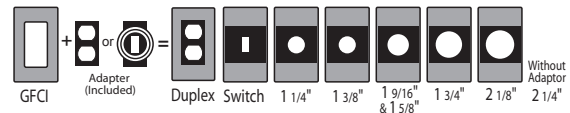
U.S. Patent 8,314,334



MX3200

**8<sup>in</sup>1**

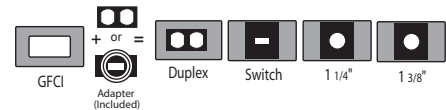
CONFIGURATIONS



MX3300

**8<sup>in</sup>1**

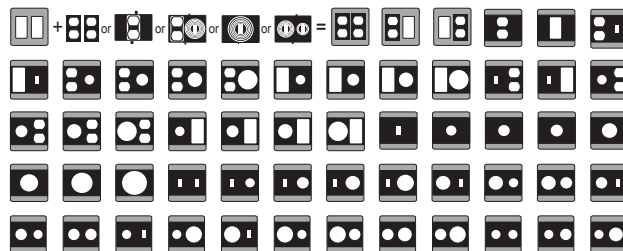
CONFIGURATIONS



MX6200

**55<sup>in</sup>1**

CONFIGURATIONS



Multiple combinations of duplex, GFCI, switch, and rounds: 1 1/4", 1 3/8", 1 9/16", 1 5/8", 1 11/16", 2 1/8", 2 1/4", 2 7/16"

CATALOG #	DESCRIPTION	DEPTH	COLOR	PKG. TYPE	STD. PKG.	BARCODE
<b>MX3200</b>	Vertical 8-in-1	3.5"	Gray	Shrink	4	
<b>MX3300</b>	Horizontal 8-in-1	3.5"	Gray	Shrink	4	
<b>MX6200</b>	2-Gang 55-in-1	3.5"	Gray	Shrink	4	

METAL LOW PROFILE WHILE-IN-USE COVERS

**EXTRA DUTY.**

**EXPANDS**  
2" → 3½"

**8 in 1**

MX4280S, MX4280WH, MX4280Z

**EXTRA DUTY.**

**EXPANDS**  
2" → 3½"

**8 in 1**

MX4380S

**EXTRA DUTY.**

**EXPANDS**  
2" → 3½"

**EXTRA DUTY.**

**EXPANDS**  
2½" → 4½"

**55 in 1**

MX7280S

MX5280S

**8 in 1**

Multiple combinations of duplex, GFCI, switch, and rounds:  
1 1/4", 1 3/8", 1 9/16", 1 5/8", 1 11/16", 2 1/8", 2 1/4", 2 7/16"

**APPLICATIONS**

- Designed for use whenever weatherproof protection is required while an outlet is in use.

**PRODUCT FEATURES**

- Heavy duty die-cast metal construction
- Meets or exceeds Extra Duty® specifications
- Patented Quick-Fit™ keyhole mounting system allows cover installation in under a minute
- Includes gasket and mounting hardware
- Base configuration with patented Knock-Out™ technology for custom fitting
- Premium powdercoat finish
- Lockable open or closed and fits fullsize padlock

**COMPLIANCES**

- UL File E212332
- 2014 NEC® compliant
- NEMA 3R rated
- U.S. Patents: 8,314,334; 8,259,253 B1; 6,420,654; 8,106,295 B1

CATALOG #	DESCRIPTION	DEPTH	COLOR	PKG. TYPE	STD. PKG.	BARCODE
<b>Metal Low Profile In-Use Covers</b>						
MX4280S	Vertical 8-in-1	2" to 3-1/2"	Gray	Shrink	6	
MX4280WH	Vertical 8-in-1	2" to 3-1/2"	White	Shrink	6	
MX4280Z	Vertical 8-in-1	2" to 3-1/2"	Bronze	Shrink	6	
MX4380S	Horizontal 8-in-1	2" to 3-1/2"	Gray	Shrink	3	
MX5280S	Vertical Deep 8-in-1	2-1/2" to 4-1/2"	Gray	Shrink	2	
MX7280S	Vertical 2-Gang 55-in-1	2" to 3-1/2"	Gray	Shrink	2	

WEATHERPROOF ACCESSORIES

APPLICATIONS

- For use in conjunction with other weatherproof products.



GK240



GS100



GS400



HB75W



GK300



(Round box not included)

PRBA400G



SG100S

CATALOG #	DESCRIPTION	COLOR	PKG. TYPE	STD. PKG.	BARCODE
<b>Gaskets</b>					
GK240	Bag of 2 Lampholder Gaskets	Black	Poly Bag	15	
GK300	Kit of Six Gaskets: (2) 1-Gang, (2) 2-Gang and (2) Round Outlet Box	Black	Poly Bag	10	
GS100	2 Pack 1-Gang Gaskets	Black	Poly Bag	20	
GS400	2 Pack 3-Gang Gaskets	Black	Poly Bag	10	
<b>Halogen Replacement Bulbs</b>					
HB75W	75W Halogen Bulb (GY 8.6 TYPE 4)	Clear	Poly Bag	20	
<b>Ground Spike</b>					
SG100S	9" Die Cast Metal, Fits 1/2" Hole	Gray	—	12	
<b>Round Box Adapter</b>					
PRBA400G	Plastic Round Box Adapter (Use to install outdoor device cover on round receptacle box)	Gray	—	10	



**LB Assembly**  
RLB050 – RLB400



**C Assembly**  
RLC050 – RLC400



**LL Assembly**  
RLL050 – RLL400



**LR Assembly**  
RLR050 – RLR400



**T Assembly**  
RLT050 – RLT400



**SLB**  
RSLB050 – RSLB200

**APPLICATIONS**

- For use with threaded Rigid/IMC conduit for pulling access or to split a run into multiple directions. Removable cover allows access for maintenance and making taps and splices to conductors.

**PRODUCT FEATURES**

- Durable die cast aluminum construction
- Premium powder coat finish
- Includes NBR synthetic rubber gasket
- Stamped steel cover
- Combination head screw

**COMPLIANCES**

- File E331564
- 2014 NEC® compliant
- NEMA 3R rated

CATALOG #	DESCRIPTION	SIZE	STD. PKG.	BARCODE
<b>Threaded Conduit Fittings: LB Assembly</b>				
RLB050	Threaded LB Assembly	1/2"	10	
RLB075	Threaded LB Assembly	3/4"	10	
RLB100	Threaded LB Assembly	1"	5	
RLB125	Threaded LB Assembly	1 1/4"	2	
RLB150	Threaded LB Assembly	1 1/2"	2	
RLB200	Threaded LB Assembly	2"	2	
RLB250	Threaded LB Assembly	2 1/2"	1	
RLB300	Threaded LB Assembly	3"	1	
RLB350	Threaded LB Assembly	3 1/2"	1	
RLB400	Threaded LB Assembly	4"	1	

CATALOG #	DESCRIPTION	SIZE	STD. PKG.	BARCODE
<b>Threaded Conduit Fittings: C Assembly</b>				
RLC050	Threaded C Assembly	1/2"	5	
RLC075	Threaded C Assembly	3/4"	5	
RLC100	Threaded C Assembly	1"	5	
RLC125	Threaded C Assembly	1 1/4"	2	
RLC150	Threaded C Assembly	1 1/2"	2	
RLC200	Threaded C Assembly	2"	2	
RLC250	Threaded C Assembly	2 1/2"	1	
RLC300	Threaded C Assembly	3"	1	
RLC350	Threaded C Assembly	3 1/2"	1	
RLC400	Threaded C Assembly	4"	1	

CATALOG #	DESCRIPTION	SIZE	STD. PKG.	BARCODE
<b>Threaded Conduit Fittings: LL Assembly</b>				
RLL050	Threaded LL Assembly	1/2"	5	
RLL075	Threaded LL Assembly	3/4"	5	
RLL100	Threaded LL Assembly	1"	5	
RLL125	Threaded LL Assembly	1 1/4"	2	
RLL150	Threaded LL Assembly	1 1/2"	2	
RLL200	Threaded LL Assembly	2"	2	
RLL250	Threaded LL Assembly	2 1/2"	1	
RLL300	Threaded LL Assembly	3"	1	
RLL350	Threaded LL Assembly	3 1/2"	1	
RLL400	Threaded LL Assembly	4"	1	

CATALOG #	DESCRIPTION	SIZE	STD. PKG.	BARCODE
<b>Threaded Conduit Fittings: LR Assembly</b>				
RLR050	Threaded LR Assembly	1/2"	5	
RLR075	Threaded LR Assembly	3/4"	5	
RLR100	Threaded LR Assembly	1"	5	
RLR125	Threaded LR Assembly	1 1/4"	2	
RLR150	Threaded LR Assembly	1 1/2"	2	
RLR200	Threaded LR Assembly	2"	2	
RLR250	Threaded LR Assembly	2 1/2"	1	
RLR300	Threaded LR Assembly	3"	1	
RLR350	Threaded LR Assembly	3 1/2"	1	
RLR400	Threaded LR Assembly	4"	1	

CATALOG #	DESCRIPTION	SIZE	STD. PKG.	BARCODE
<b>Threaded Conduit Fittings: T Assembly</b>				
RLT050	Threaded T Assembly	1/2"	5	
RLT075	Threaded T Assembly	3/4"	5	
RLT100	Threaded T Assembly	1"	5	
RLT125	Threaded T Assembly	1 1/4"	2	
RLT150	Threaded T Assembly	1 1/2"	2	
RLT200	Threaded T Assembly	2"	2	
RLT250	Threaded T Assembly	2 1/2"	1	
RLT300	Threaded T Assembly	3"	1	
RLT350	Threaded T Assembly	3 1/2"	1	
RLT400	Threaded T Assembly	4"	1	

CATALOG #	DESCRIPTION	SIZE	STD. PKG.	BARCODE
<b>Threaded Conduit Fittings: SLB</b>				
RSLB050	Threaded Service Entrance Elbow	1/2"	10	
RSLB075	Threaded Service Entrance Elbow	3/4"	5	
RSLB100	Threaded Service Entrance Elbow	1"	3	
RSLB125	Threaded Service Entrance Elbow	1 1/4"	2	
RSLB150	Threaded Service Entrance Elbow	1 1/2"	2	
RSLB200	Threaded Service Entrance Elbow	2"	2	

**SERVICE ENTRANCE HEADS**


**APPLICATIONS**

- Provides an entry point for bringing overhead electrical service into buildings.

**PRODUCT FEATURES**

- Durable die cast aluminum construction
- Removeable insulator with multiple holes
- Clamp-on type
- Listed for use in wet locations
- Use with threaded or unthreaded rigid conduit, IMC or EMT

**COMPLIANCES**

-  File E331564
- 2014 NEC® compliant
- NEMA 3R rated

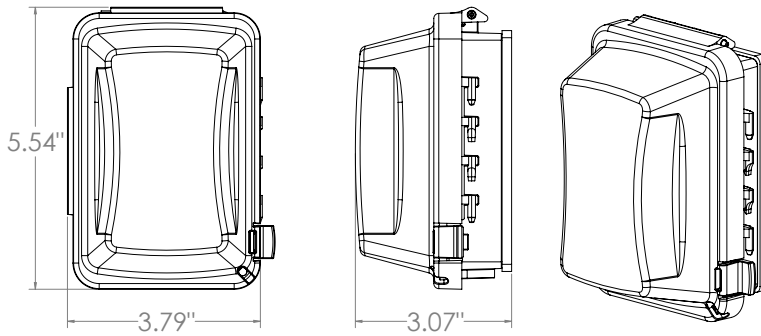


**Clamp-On Service Entrance Heads  
NEC050 – NEC400**

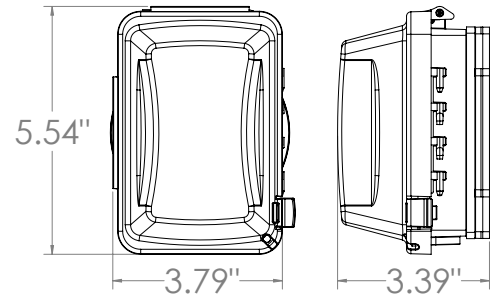
CATALOG #	DESCRIPTION	SIZE	STD. PKG.	BARCODE
<b>Service Entrance Heads: Clamp-On</b>				
NEC050	Clamp-On Entrance Head	1/2"	10	
NEC075	Clamp-On Entrance Head	3/4"	10	
NEC100	Clamp-On Entrance Head	1"	5	
NEC125	Clamp-On Entrance Head	1-1/4"	5	
NEC150	Clamp-On Entrance Head	1-1/2"	5	
NEC200	Clamp-On Entrance Head	2"	3	
NEC250	Clamp-On Entrance Head	2-1/2"	2	
NEC300	Clamp-On Entrance Head	3"	1	
NEC350	Clamp-On Entrance Head	3-1/2"	1	
NEC400	Clamp-On Entrance Head	4"	1	

PLASTIC WHILE-IN-USE COVERS

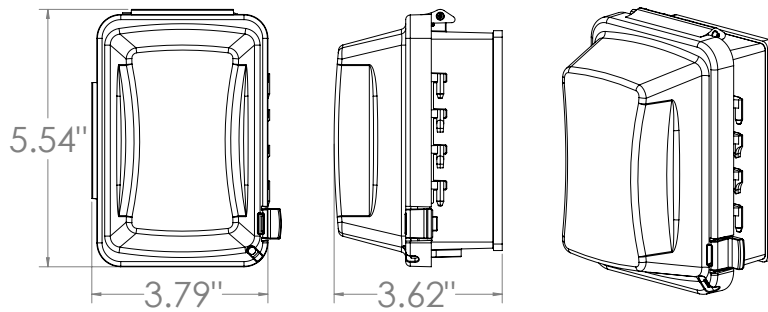
MM410



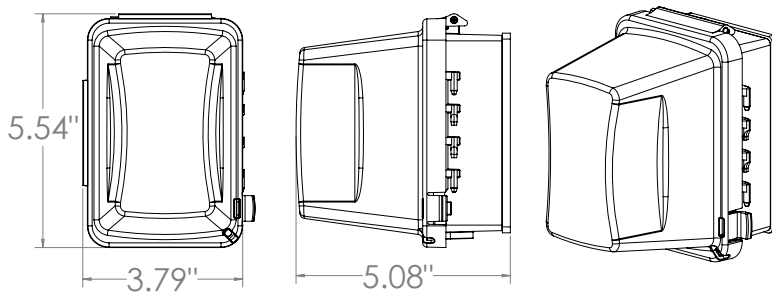
MM410CA (Round Box Adapter Plate)



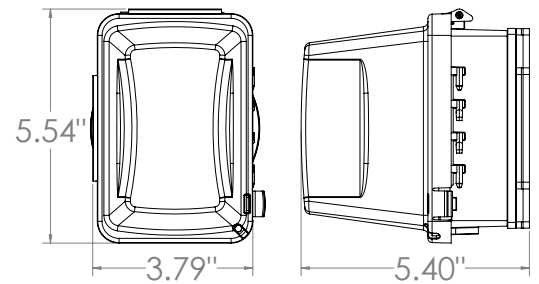
MM510



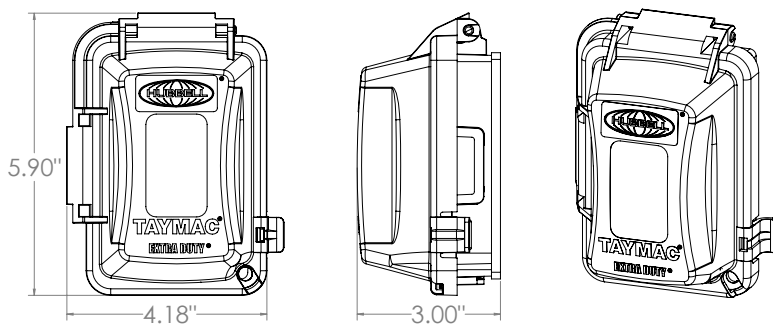
MM710



MM710CA (Round Box Adapter Plate)



MM420

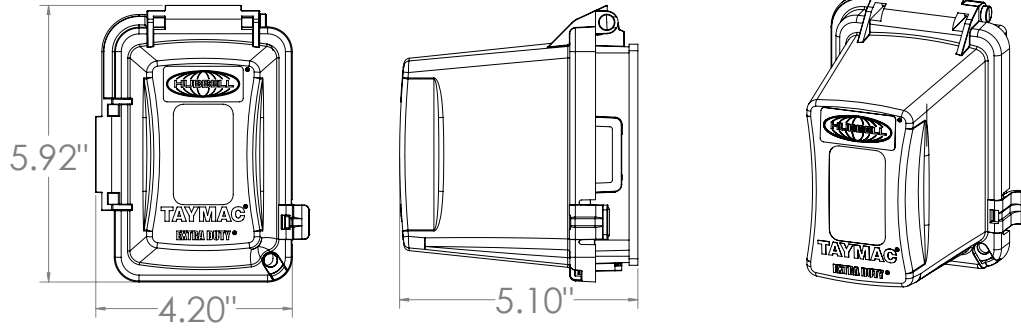




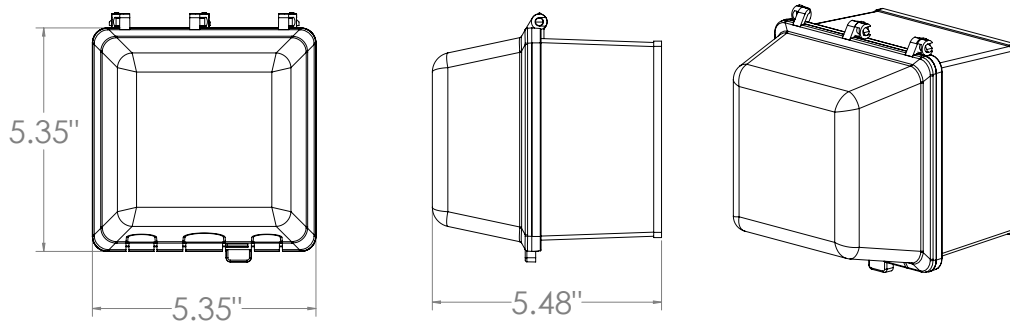
DETAILED DRAWINGS

PLASTIC WHILE-IN-USE COVERS

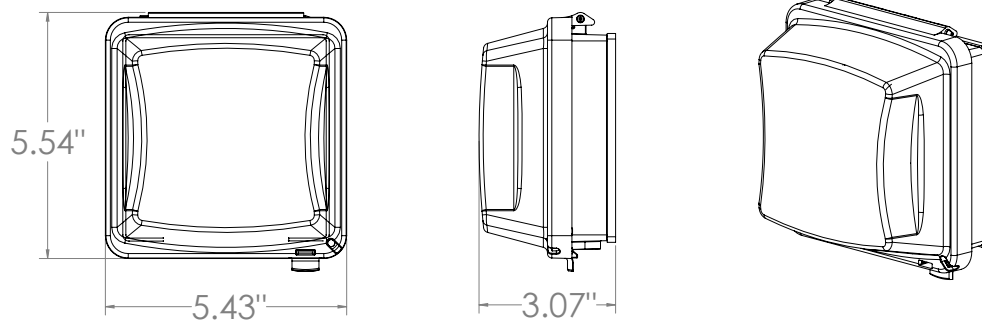
MM720



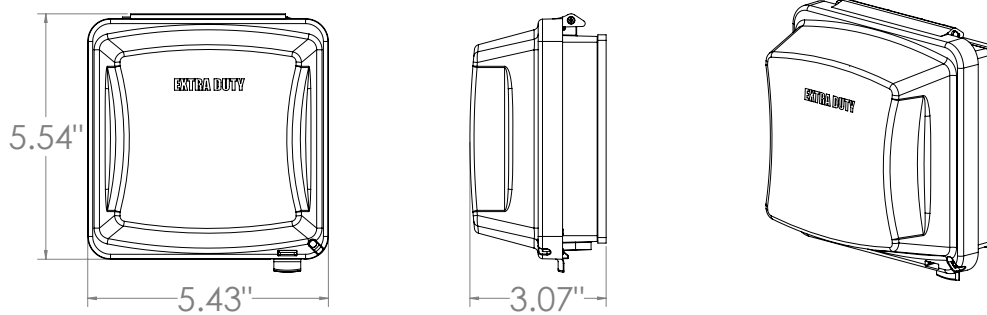
MM7440



MM2410

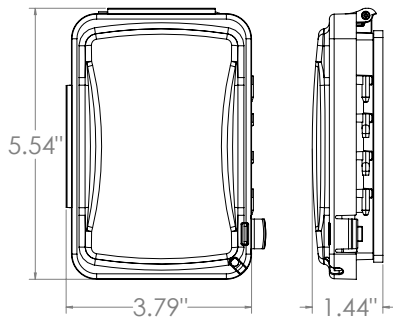


MM2420

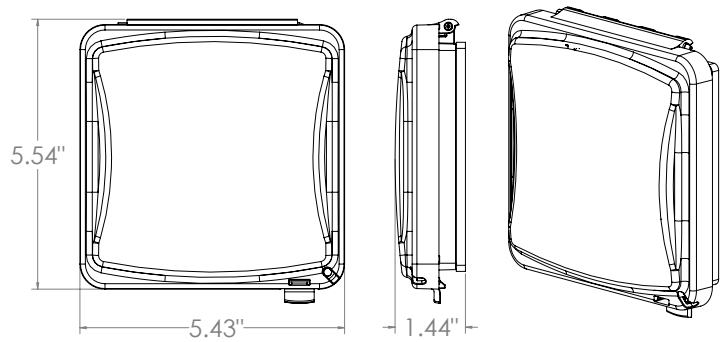


PLASTIC FLAT COVERS

MM110

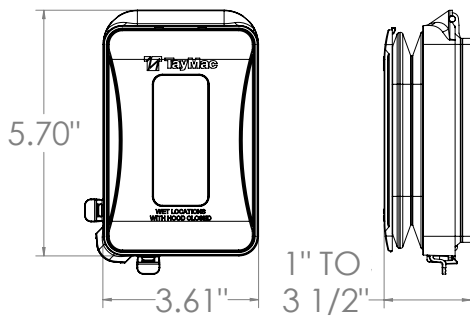


MM1410

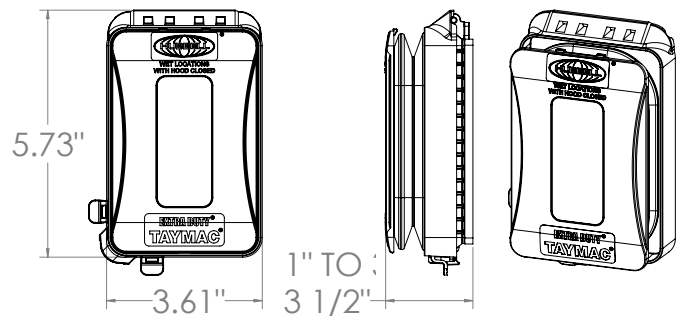


LOW PROFILE IN-USE COVERS

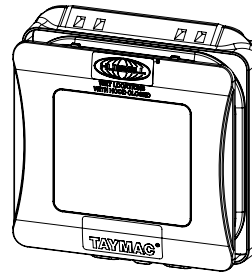
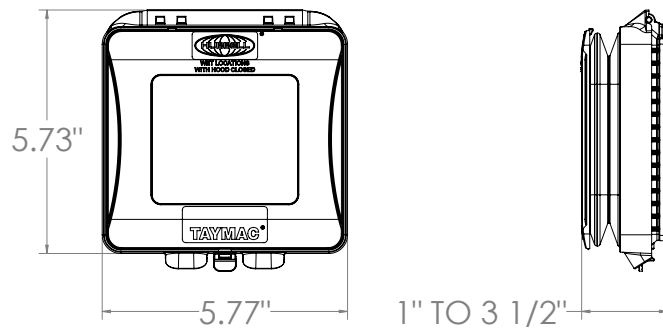
ML450



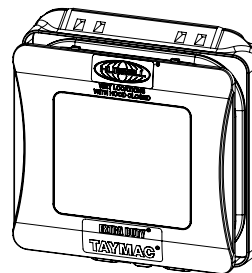
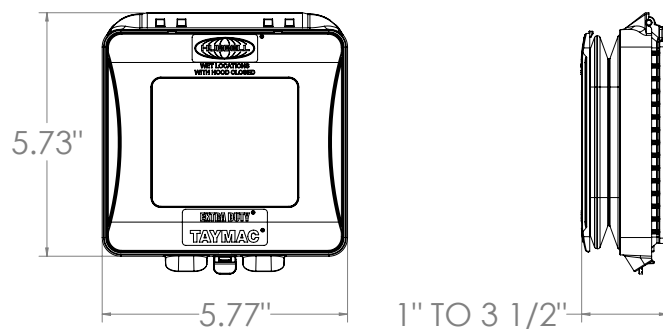
ML500



ML2450



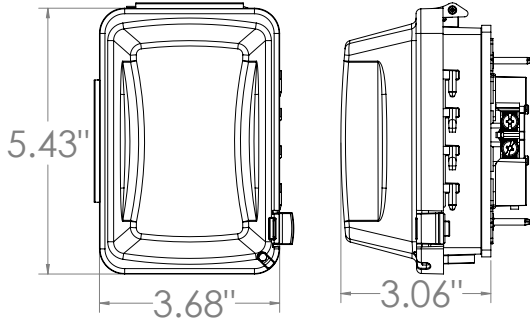
ML2500



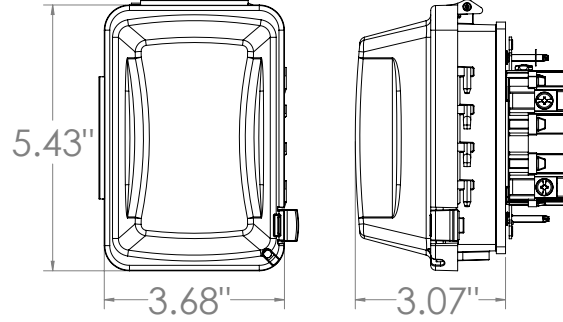
DETAILED DRAWINGS

IN-USE COVER COMBOS

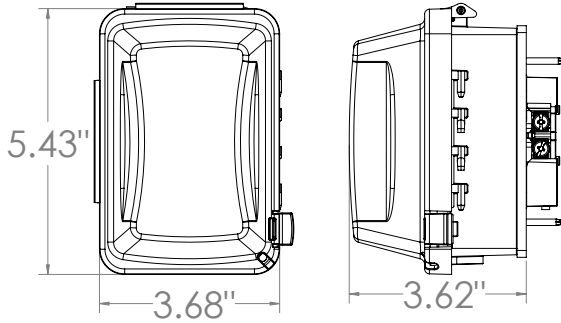
MD410



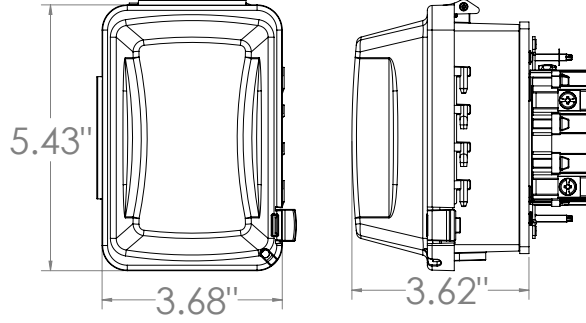
MG410



MD510

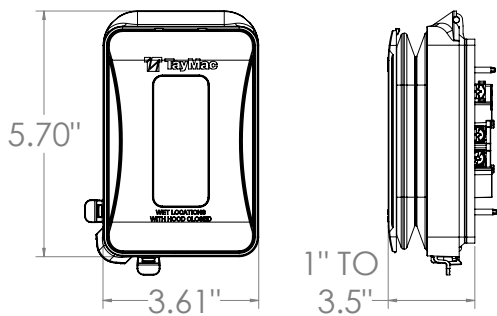


MG510

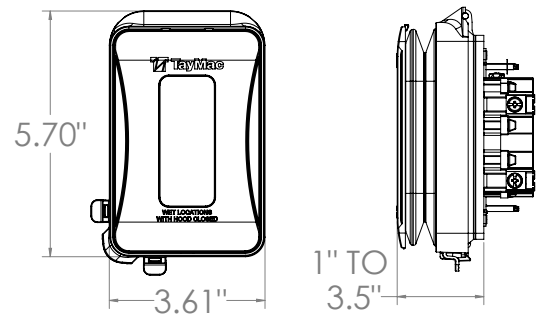


IN-USE COVER COMBOS AND KITS

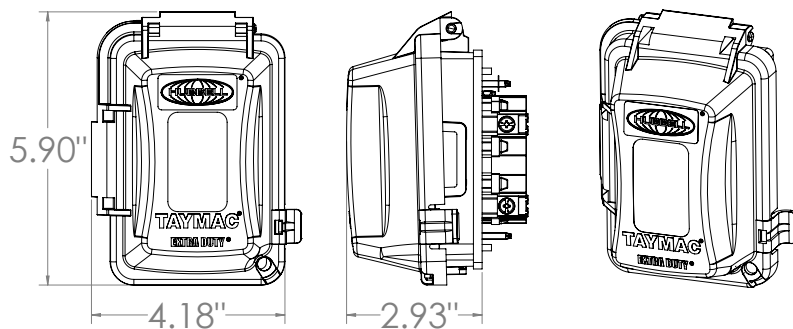
MD450



MG450

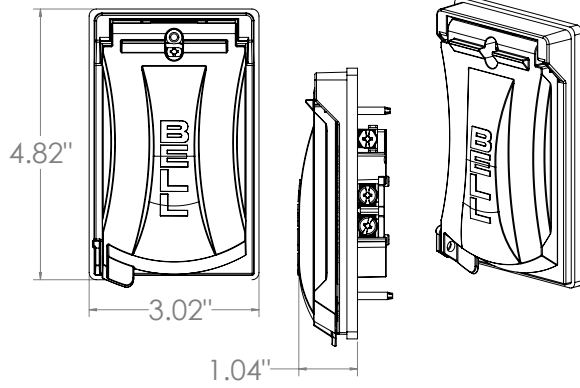


MG420

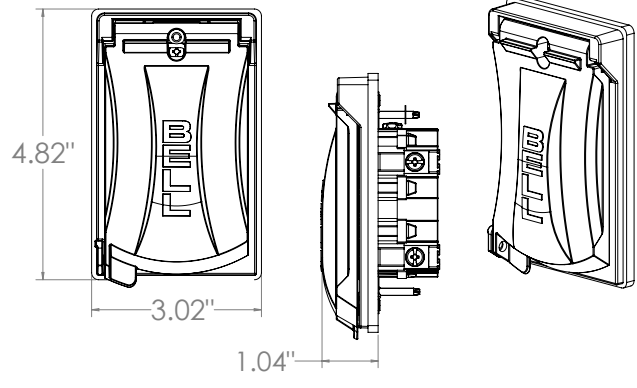


FLIP COVER COMBOS

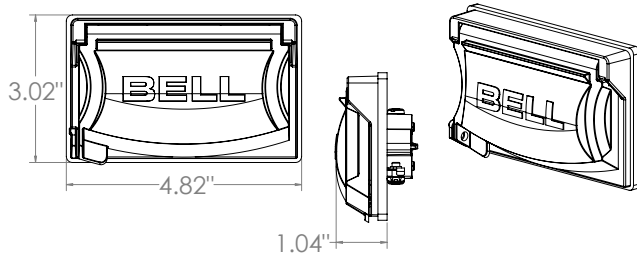
MD1050S



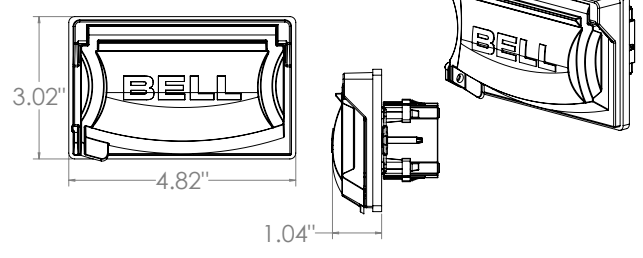
MG1050S



MD1250S

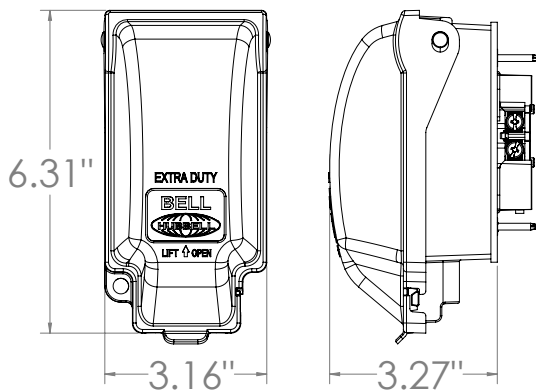


MG1250S

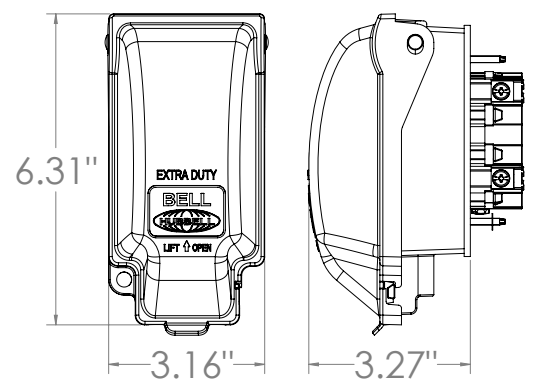


METAL IN-USE COVER COMBOS

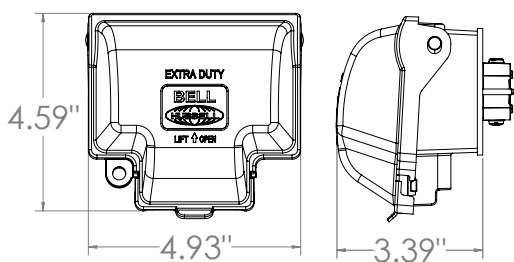
MD5881



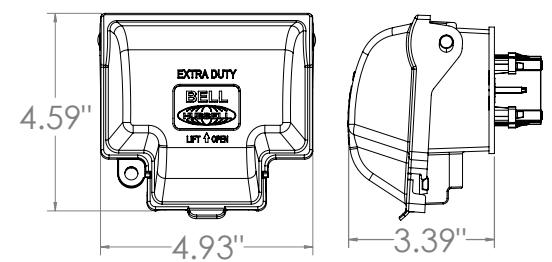
MG5881



MD5802



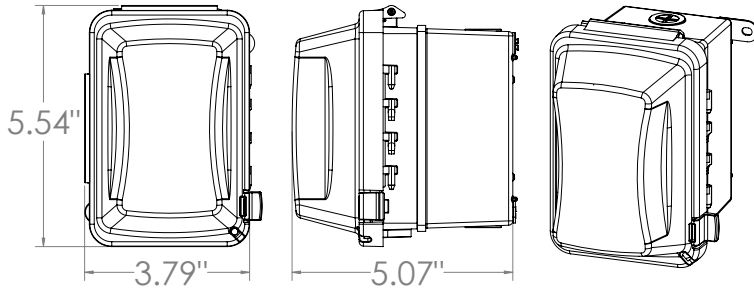
MG5802



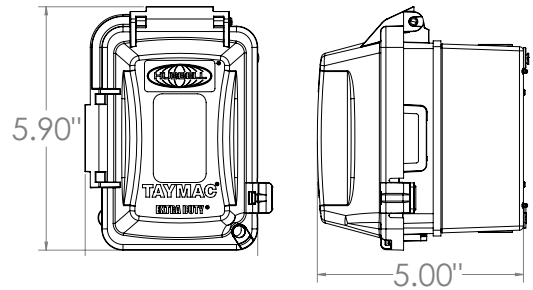
DETAILED DRAWINGS

COMPLETE KITS

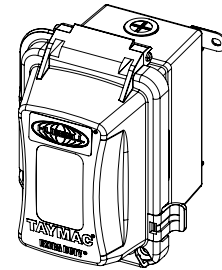
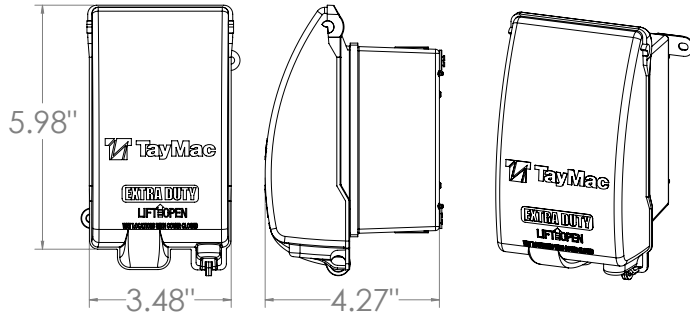
MKG410C



MKG420C

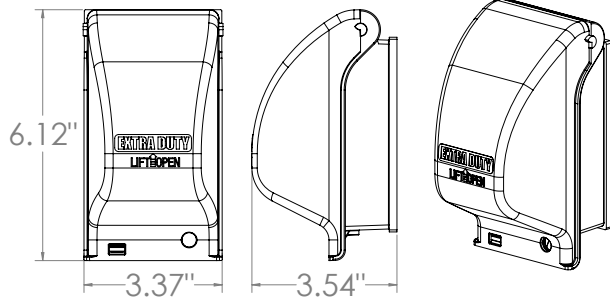


MKG4280S

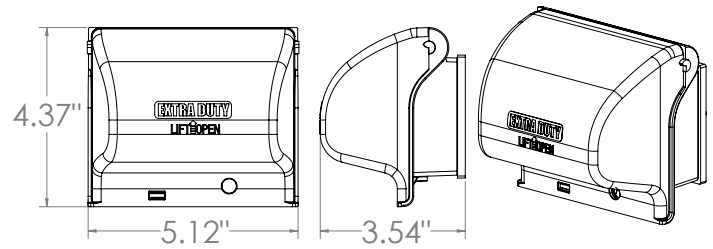


METAL IN-USE COVERS

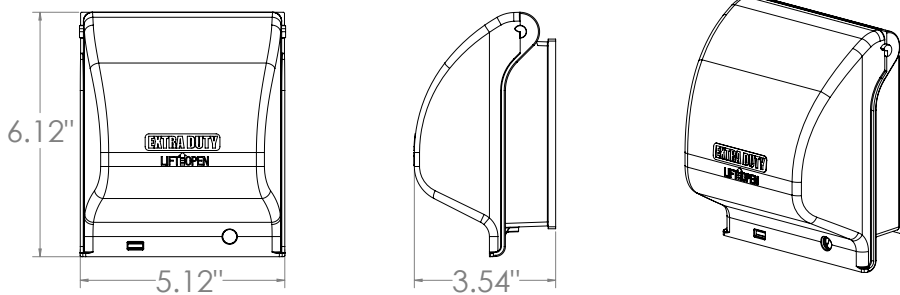
MX3200



MX3300

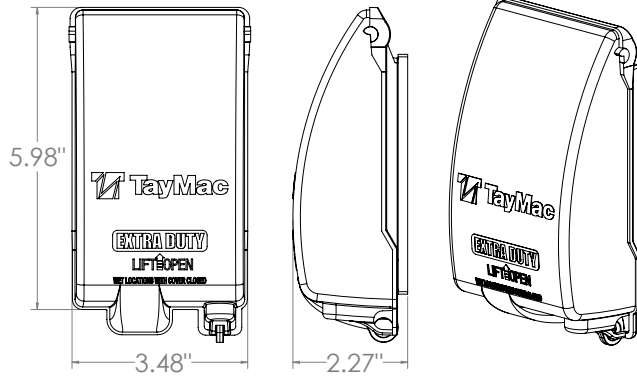


MX6200

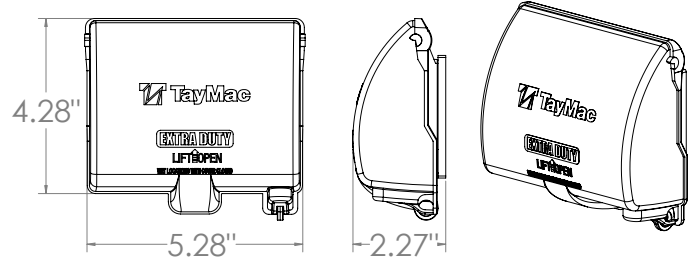


METAL IN-USE COVERS

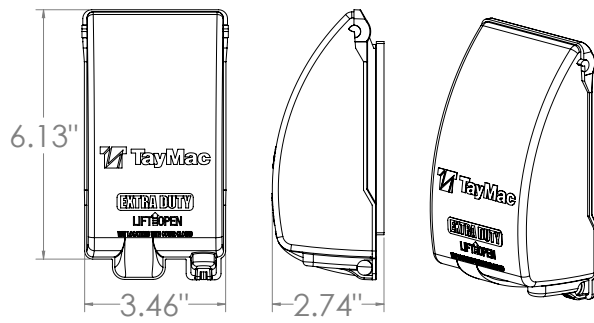
MX4280S



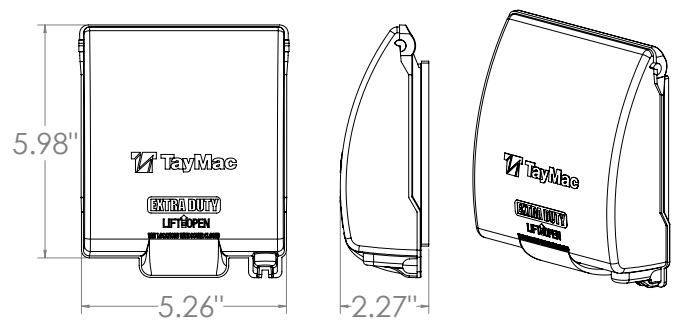
MX4380S



MX52800S

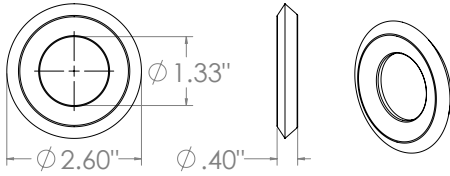


MX7280S

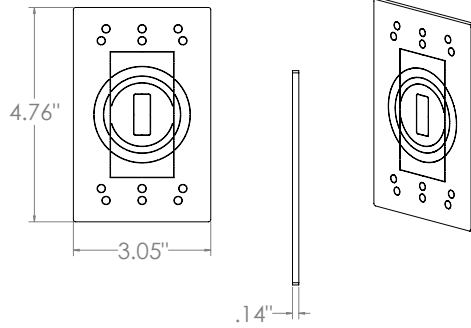


ACCESSORIES

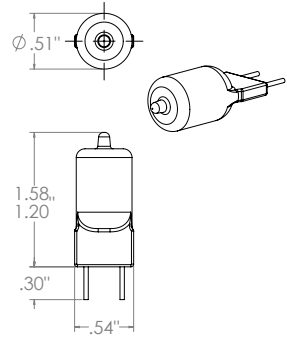
GK240



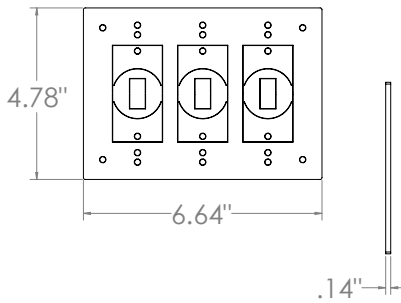
GS100



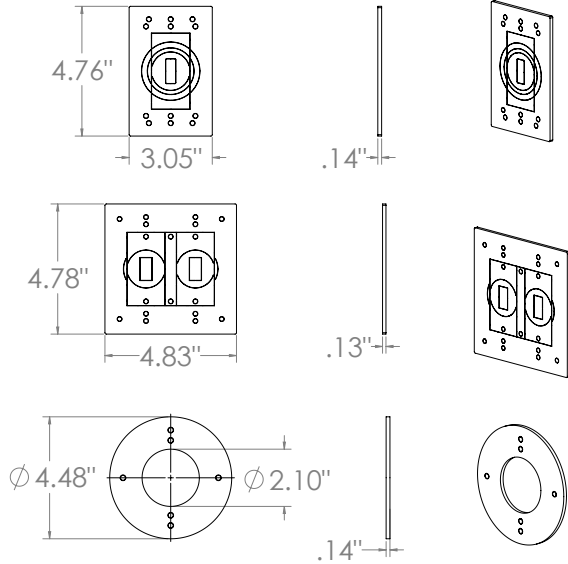
HB75W



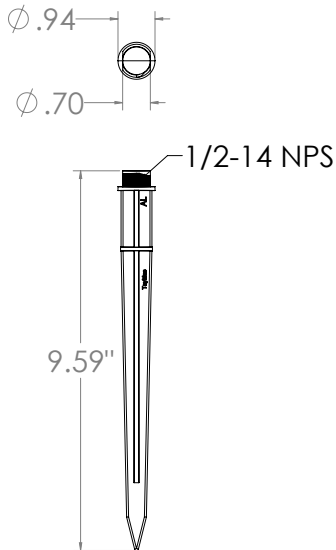
GS400



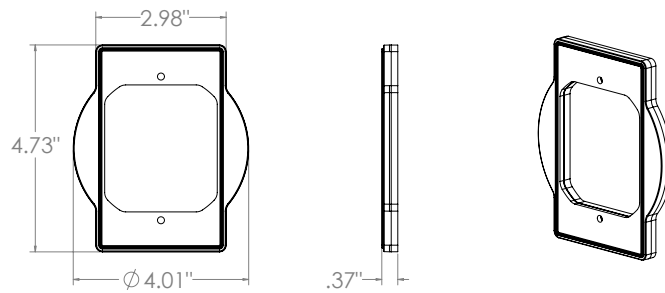
GK300



SG100S



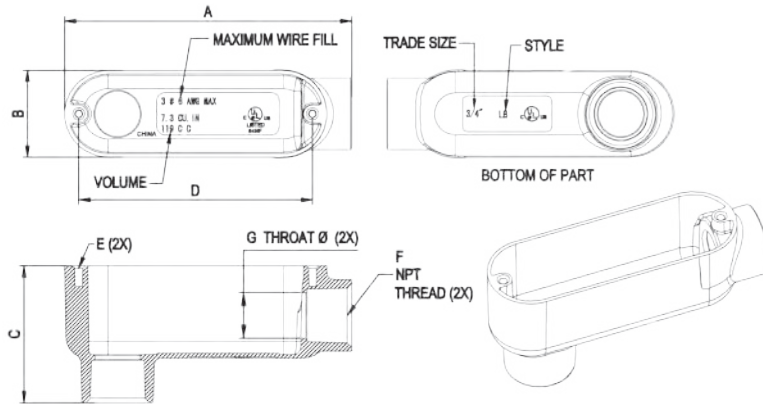
PRBA400G



CONDUIT BODIES

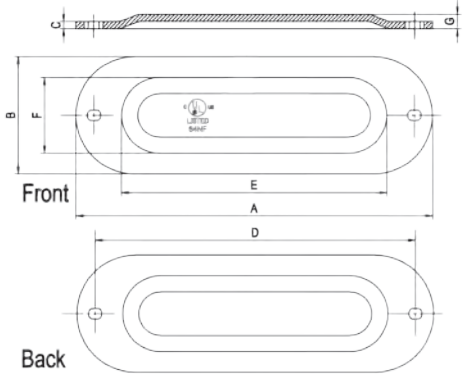
RLB

TRADE SIZE	CATALOG NUMBER	A	B	C	D ± 0.010 [.25]	E TAPPED HOLES	F NPT THREAD	G THROAT DIA +0/-0.020[0.51]	VOLUME	MAXIMUM WIRE FILL
1/2"	RLB050	4.31	1.34	2.09	3.500	#8-32UNC-2B	1/2-14NPT	0.612	4.3 CU.IN	
		109.5	34.0	53.1	88.90			15.54	70 CC	
3/4"	RLB075	5.08	1.56	2.39	4.125	#8-32UNC-2B	3/4-14NPT	0.814	7.3 CU.IN	3 # 6 AWG MAX
		129.0	39.6	60.7	104.78			20.68	119 CC	
1"	RLB100	5.92	1.82	2.78	4.830	#8-32UNC-2B	1-11 1/2NPT	1.039	12.0 CU.IN	3 # 4 AWG MAX
		150.4	46.2	70.6	122.68			26.39	196 CC	
1-1/4"	RLB125	7.82	2.51	3.52	6.500	#12-24UNC-2B	1-1/4-11 1/2NPT	1.370	32.3 CU.IN	3 # 2 AWG MAX
		198.6	63.8	89.4	165.10			34.80	529 CC	
1-1/2"	RLB150	7.82	2.51	3.52	6.500	#12-24UNC-2B	1-1/2-11 1/2NPT	1.600	34.2 CU.IN	3 # 2 AWG MAX
		198.6	63.8	89.4	165.10			40.64	560 CC	
2"	RLB200	10.05	3.19	4.51	8.562	#12-24UNC-2B	2-11 1/2NPT	2.057	71.4 CU.IN	3 # 2/0 MAX
		255.3	81.0	114.6	217.47			52.25	1170 CC	
2-1/2"	RLB250	12.83	4.49	5.31	11.250	#5/16UNC-2B	2-1/2-8NPT	2.459	157.4 CU.IN	3 # 4/0 MAX
		325.9	114.0	134.9	285.75			62.46	2579 CC	
3"	RLB300	12.83	4.49	5.91	11.250	#5/16UNC-2B	3-8NPT	3.058	179.8 CU.IN	3 # 250 MAX
		325.9	114.0	150.1	285.75			77.67	2946 CC	
3-1/2"	RLB350	15.65	5.55	7.09	13.687	#5/16UNC-2B	3-1/2-8NPT	3.538	323.0 CU.IN	3 # 250 MAX
		397.5	141.0	180.1	347.65			89.87	5293 CC	
4"	RLB400	15.65	5.55	7.09	13.687	#5/16UNC-2B	4-8NPT	4.016	323.0 CU.IN	3 # 250 MAX
		397.5	141.0	180.1	347.65			102.01	5293 CC	



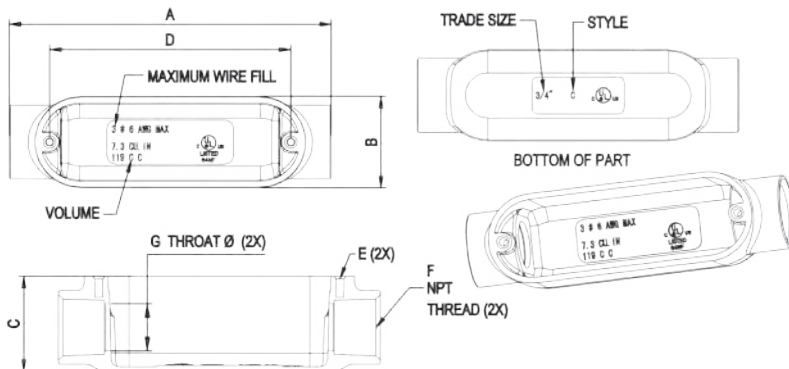
RLB/RLC/RLL/RLR/RLT (cover plate)

TRADE SIZE	A	B	C	D ± 0.02	E	F	G
1/2"	3.900	1.340	0.070	3.500	2.890	0.827	0.181
	99.1	34.0	1.8	88.9	73.4	21.0	4.6
3/4"	4.665	1.535	0.070	4.126	3.465	0.886	0.181
	118.5	39.0	1.8	104.8	88.0	22.5	4.6
1"	5.374	1.732	0.070	4.831	4.291	1.400	0.181
	136.5	44.0	1.8	122.7	109.0	35.6	4.6
1-1/4"	7.283	2.500	0.070	6.500	5.827	1.437	0.181
	185.0	63.5	1.8	165.1	148.0	36.5	4.6
1-1/2"	7.283	2.500	0.070	6.500	5.827	1.437	0.181
	185.0	63.5	1.8	165.1	148.0	36.5	4.6
2"	9.488	3.150	0.070	8.563	7.539	1.732	0.181
	241.0	80.0	1.8	217.5	191.5	44.0	4.6
2-1/2"	12.205	4.528	0.098	11.25	10.236	2.362	0.197
	310.0	115.0	2.5	285.8	260.0	60.0	5.0
3"	12.205	4.528	0.098	11.25	10.236	2.362	0.197
	310.0	115.0	2.5	285.8	260.0	60.0	5.0
3-1/2"	14.961	5.512	0.098	13.69	12.598	2.992	0.197
	380.0	140.0	2.5	347.6	320.0	76.0	5.0
4"	14.961	5.512	0.098	13.685	12.598	2.992	0.197
	380.0	140.0	2.5	347.6	320.0	76.0	5.0



RLC

TRADE SIZE	CATALOG NUMBER	A	B	C	D ± 0.010 [.25]	E TAPPED HOLES	F NPT THREAD	G THROAT DIA +0/-0.020[0.51]	VOLUME	MAXIMUM WIRE FILL
1/2"	RLC050	4.72	1.34	1.36	3.500	#8-32UNC-2B	1/2-14NPT	0.612	4.3 CU.IN	
		119.9	34.0	34.5	88.90			15.54	70 CC	
3/4"	RLC075	5.51	1.56	1.63	4.125	#8-32UNC-2B	3/4-14NPT	0.814	7.3 CU.IN	3 # 6 AWG MAX
		140.0	39.6	41.3	104.78			20.68	119 CC	
1"	RLC100	6.46	1.82	1.89	4.830	#8-32UNC-2B	1-11 1/2NPT	1.039	12.0 CU.IN	3 # 4 AWG MAX
		164.1	46.2	48.0	122.68			26.39	196 CC	
1-1/4"	RLC125	8.35	2.51	2.50	6.500	#12-24UNC-2B	1-1/4-11 1/2NPT	1.370	32.3 CU.IN	3 # 2 AWG MAX
		212.1	63.8	63.5	165.10			34.80	529 CC	
1-1/2"	RLC150	8.35	2.51	2.50	6.500	#12-24UNC-2B	1-1/2-11 1/2NPT	1.600	34.2 CU.IN	3 # 2 AWG MAX
		212.1	63.8	63.5	165.10			40.64	560 CC	
2"	RLC200	10.55	3.19	3.41	8.562	#12-24UNC-2B	2-11 1/2NPT	2.057	71.4 CU.IN	3 # 2/0 MAX
		268.0	81.0	86.6	217.47			52.25	1170 CC	
2-1/2"	RLC250	13.46	4.49	3.98	11.250	#5/16UNC-2B	2-1/2-8NPT	2.459	157.4 CU.IN	3 # 4/0 MAX
		341.9	114.0	101.1	285.75			62.46	2579 CC	
3"	RLC300	13.46	4.49	4.53	11.250	#5/16UNC-2B	3-8NPT	3.058	179.8 CU.IN	3 # 250 MAX
		341.9	114.0	115.1	285.75			77.67	2946 CC	
3-1/2"	RLC350	16.30	5.55	5.59	13.687	#5/16UNC-2B	3-1/2-8NPT	3.538	323.0 CU.IN	3 # 250 MAX
		414.0	141.0	142.0	347.65			89.87	5293 CC	
4"	RLC400	16.30	5.55	5.59	13.687	#5/16UNC-2B	4-8NPT	4.016	323.0 CU.IN	3 # 250 MAX
		414.0	141.0	142.0	347.65			102.01	5293 CC	

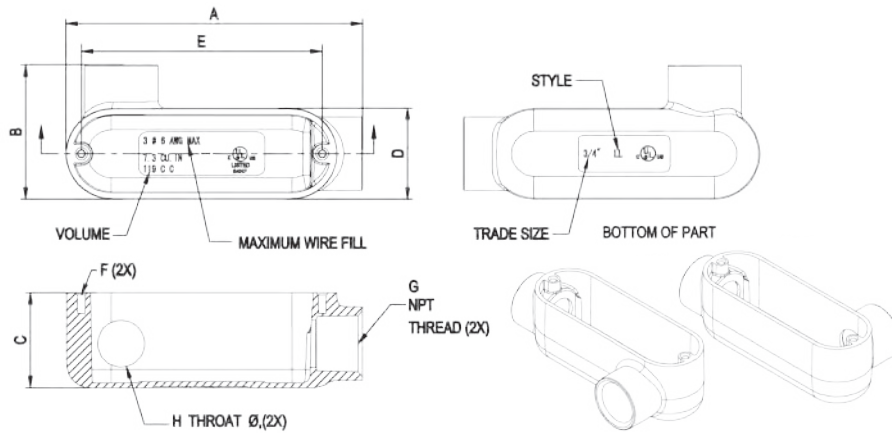




DETAILED DRAWINGS

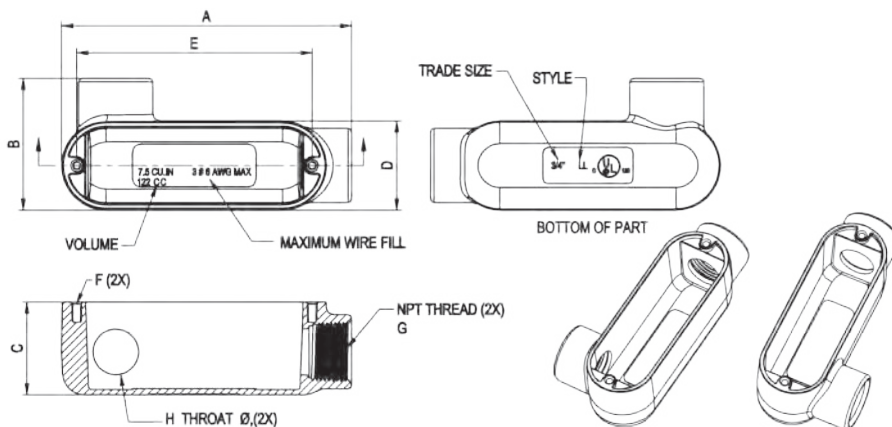
RLL

TRADE SIZE	CATALOG NUMBER	A	B	C	D	E ±0.010 [25]	F TAPPED HOLES	G NPT THREAD	H THROAT DIA +0/-0.020[0.51]	VOLUME	MAXIMUM WIRE FILL
1/2"	RLL050	4.31	2.03	1.36	1.34	3.500	#8-32UNC-2B	1/2-14NPT	0.612	4.3 CU.IN	
		109.5	51.6	34.5	34.0	88.90			15.54	70 CC	
3/4"	RLL075	5.08	2.30	1.63	1.56	4.125	#8-32UNC-2B	3/4-14NPT	0.814	7.3 CU.IN	3 # 6 AWG MAX
		129.0	58.4	41.3	39.6	104.78			20.68	119 CC	
1"	RLL100	5.92	2.68	1.89	1.82	4.830	#8-32UNC-2B	1-11 1/2NPT	1.039	12.0 CU.IN	3 # 4 AWG MAX
		150.4	68.1	48.0	46.2	122.68			26.39	196 CC	
1-1/4"	RLL125	7.82	3.52	2.50	2.51	6.500	#12-24UNC-2B	1-1/4-11 1/2NPT	1.370	32.3 CU.IN	3 # 2 AWG MAX
		198.6	89.4	63.5	63.8	165.10			34.80	529 CC	
1-1/2"	RLL150	7.82	3.52	2.50	2.51	6.500	#12-24UNC-2B	1-1/2-11 1/2NPT	1.600	34.2 CU.IN	3 # 2 AWG MAX
		198.6	89.4	63.5	63.8	165.10			40.64	560 CC	
2"	RLL200	10.05	4.27	3.41	3.19	8.562	#12-24UNC-2B	2-11 1/2NPT	2.057	71.4 CU.IN	3 # 2/0 MAX
		255.3	108.5	86.6	81.0	217.47			52.25	1170 CC	
2-1/2"	RLL250	12.83	5.89	3.98	4.49	11.250	#5/16UNC-2B	2-1/2-8NPT	2.459	157.4 CU.IN	3 # 4/0 MAX
		325.9	149.6	101.1	114.0	285.75			62.46	2579 CC	
3"	RLL300	12.83	5.89	4.53	4.49	11.250	#5/16UNC-2B	3-8NPT	3.058	179.8 CU.IN	3 # 250 MAX
		325.9	149.6	115.1	114.0	285.75			77.67	2946 CC	
3-1/2"	RLL350	15.65	7.66	5.59	5.55	13.687	#5/16UNC-2B	3-1/2-8NPT	3.538	323.0 CU.IN	3 # 250 MAX
		397.5	194.6	142.0	141.0	347.65			89.87	5293 CC	
4"	RLL400	15.65	7.66	5.59	5.55	13.687	#5/16UNC-2B	4-8NPT	4.016	323.0 CU.IN	3 # 250 MAX
		397.5	194.6	142.0	141.0	347.65			102.01	5293 CC	



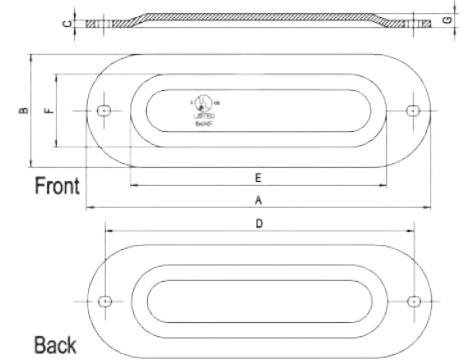
RLR

TRADE SIZE	CATALOG NUMBER	A	B	C	D	E ±0.010 [25]	F TAPPED HOLES	G NPT THREAD	H THROAT DIA +0/-0.020[0.51]	VOLUME	MAXIMUM WIRE FILL
1/2"	RLR050	4.31	2.03	1.36	1.34	3.500	#8-32UNC-2B	1/2-14NPT	0.612	4.3 CU.IN	
		109.5	51.6	34.5	34.0	88.90			15.54	70 CC	
3/4"	RLR075	5.08	2.30	1.63	1.56	4.125	#8-32UNC-2B	3/4-14NPT	0.814	7.3 CU.IN	3 # 6 AWG MAX
		129.0	58.4	41.3	39.6	104.78			20.68	119 CC	
1"	RLR100	5.92	2.68	1.89	1.82	4.830	#8-32UNC-2B	1-11 1/2NPT	1.039	12.0 CU.IN	3 # 4 AWG MAX
		150.4	68.1	48.0	46.2	122.68			26.39	196 CC	
1-1/4"	RLR125	7.82	3.52	2.50	2.51	6.500	#12-24UNC-2B	1-1/4-11 1/2NPT	1.370	32.3 CU.IN	3 # 2 AWG MAX
		198.6	89.4	63.5	63.8	165.10			34.80	529 CC	
1-1/2"	RLR150	7.82	3.52	2.50	2.51	6.500	#12-24UNC-2B	1-1/2-11 1/2NPT	1.600	34.2 CU.IN	3 # 2 AWG MAX
		198.6	89.4	63.5	63.8	165.10			40.64	560 CC	
2"	RLR200	10.05	4.27	3.41	3.19	8.562	#12-24UNC-2B	2-11 1/2NPT	2.057	71.4 CU.IN	3 # 2/0 MAX
		255.3	108.5	86.6	81.0	217.47			52.25	1170 CC	
2-1/2"	RLR250	12.83	5.89	3.98	4.49	11.250	#5/16UNC-2B	2-1/2-8NPT	2.459	157.4 CU.IN	3 # 4/0 MAX
		325.9	149.6	101.1	114.0	285.75			62.46	2579 CC	
3"	RLR300	12.83	5.89	4.53	4.49	11.250	#5/16UNC-2B	3-8NPT	3.058	179.8 CU.IN	3 # 250 MAX
		325.9	149.6	115.1	114.0	285.75			77.67	2946 CC	
3-1/2"	RLR350	15.65	7.66	5.59	5.55	13.687	#5/16UNC-2B	3-1/2-8NPT	3.538	323.0 CU.IN	3 # 250 MAX
		397.5	194.6	142.0	141.0	347.65			89.87	5293 CC	
4"	RLR400	15.65	7.66	5.59	5.55	13.687	#5/16UNC-2B	4-8NPT	4.016	323.0 CU.IN	3 # 250 MAX
		397.5	194.6	142.0	141.0	347.65			102.01	5293 CC	



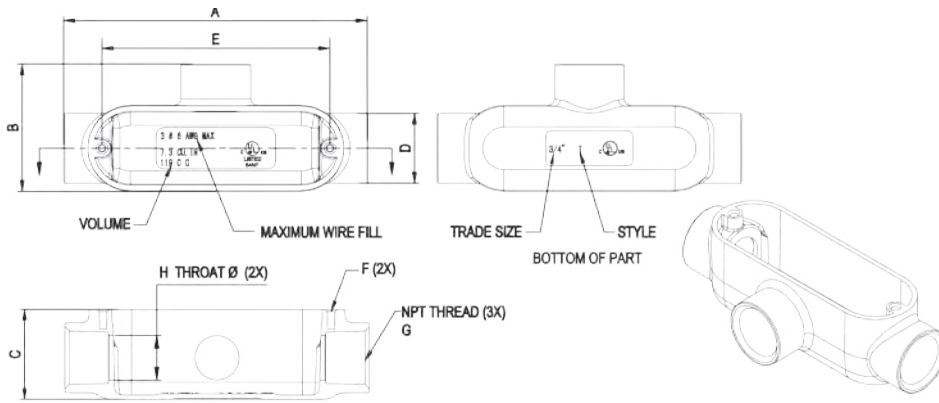
RLB/RLC/RLL/RLR/RLT (cover plate)

TRADE SIZE	A	B	C	D ± 0.02	E	F	G
1/2"	3.900	1.340	0.070	3.500	2.890	0.827	0.181
	99.1	34.0	1.8	88.9	73.4	21.0	4.6
3/4"	4.665	1.535	0.070	4.126	3.465	0.886	0.181
	118.5	39.0	1.8	104.8	88.0	22.5	4.6
1"	5.374	1.732	0.070	4.831	4.291	1.398	0.181
	136.5	44.0	1.8	122.7	109.0	35.5	4.6
1-1/4"	7.283	2.500	0.070	6.500	5.827	1.437	0.181
	185.0	63.5	1.8	165.1	148.0	36.5	4.6
1-1/2"	7.283	2.500	0.070	6.500	5.827	1.437	0.181
	185.0	63.5	1.8	165.1	148.0	36.5	4.6
2"	9.488	3.150	0.070	8.563	7.539	1.732	0.181
	241.0	80.0	1.8	217.5	191.5	44.0	4.6
2-1/2"	12.205	4.528	0.098	11.25	10.236	2.362	0.197
	310.0	115.0	2.5	285.8	260.0	60.0	5.0
3"	12.205	4.528	0.098	11.25	10.236	2.362	0.197
	310.0	115.0	2.5	285.8	260.0	60.0	5.0
3-1/2"	14.961	5.512	0.098	13.69	12.598	2.992	0.197
	380.0	140.0	2.5	347.6	320.0	76.0	5.0
4"	14.961	5.512	0.098	13.685	12.598	2.992	0.197
	380.0	140.0	2.5	347.6	320.0	76.0	5.0



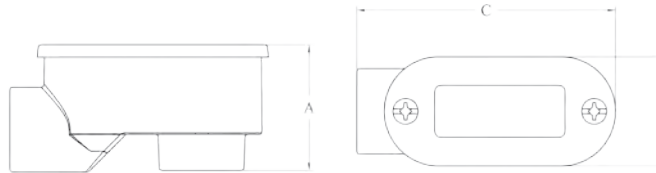
RLT

TRADE SIZE	CATALOG NUMBER	A	B	C	D	E ±0.010 [25]	F TAPPED HOLES	G NPT THREAD	H THROAT DIA +0/-0.020[0.51]	VOLUME	MAXIMUM WIRE FILL
1/2"	RLT050	4.72	2.03	1.36	1.34	3.500	#8-32UNC-2B	1/2-14NPT	0.612	4.3 CU.IN	
		119.9	51.6	34.5	34.0	88.90			15.54	70 CC	
3/4"	RLT075	5.51	2.30	1.63	1.56	4.125	#8-32UNC-2B	3/4-14NPT	0.814	7.3 CU.IN	3 # 6 AWG MAX
		140.0	58.4	41.3	39.6	104.78			20.68	119 CC	
1"	RLT100	6.46	2.68	1.89	1.82	4.830	#8-32UNC-2B	1-11 1/2NPT	1.039	12.0 CU.IN	3 # 4 AWG MAX
		164.1	68.1	48.0	46.2	122.68			26.39	196 CC	
1-1/4"	RLT125	8.35	3.52	2.50	2.51	6.500	#12-24UNC-2B	1-1/4-11 1/2NPT	1.370	32.3 CU.IN	3 # 2 AWG MAX
		212.1	89.4	63.5	63.8	165.10			34.80	529 CC	
1-1/2"	RLT150	8.35	3.52	2.50	2.51	6.500	#12-24UNC-2B	1-1/2-11 1/2NPT	1.600	34.2 CU.IN	3 # 2 AWG MAX
		212.1	89.4	63.5	63.8	165.10			40.64	560 CC	
2"	RLT200	10.55	4.27	3.41	3.19	8.562	#12-24UNC-2B	2-11 1/2NPT	2.057	71.4 CU.IN	3 # 2/0 MAX
		268.0	108.5	86.6	81.0	217.47			52.25	1170 CC	
2-1/2"	RLT250	13.46	5.89	3.98	4.49	11.250	#5/16UNC-2B	2-1/2-8NPT	2.459	157.4 CU.IN	3 # 4/0 MAX
		341.9	149.6	101.1	114.0	285.75			62.46	2579 CC	
3"	RLT300	13.46	5.89	4.53	4.49	11.250	#5/16UNC-2B	3-8NPT	3.058	179.8 CU.IN	3 # 250 MAX
		341.9	149.6	115.1	114.0	285.75			77.67	2946 CC	
3-1/2"	RLT350	16.30	7.66	5.59	5.55	13.687	#5/16UNC-2B	3-1/2-8NPT	3.538	323.0 CU.IN	3 # 250 MAX
		414.0	194.6	142.0	141.0	347.65			89.87	5293 CC	
4"	RLT400	16.30	7.66	5.59	5.55	13.687	#5/16UNC-2B	4-8NPT	4.016	323.0 CU.IN	3 # 250 MAX
		414.0	194.6	142.0	141.0	347.65			102.01	5293 CC	

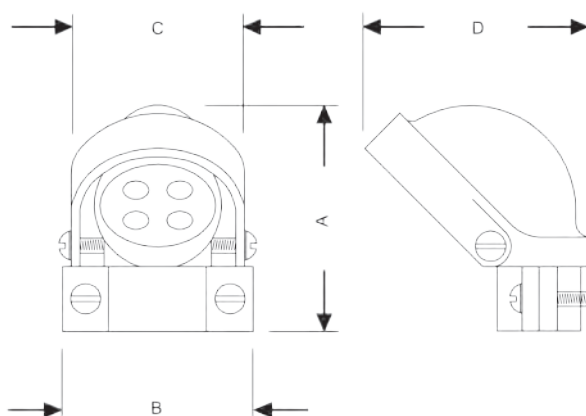


RSLB

CATALOG NUMBER	CONDUIT SIZE	A	B	C
RSLB050	1/2"	1.587	1.366	3.26
RSLB075	3/4"	1.878	1.693	3.663
RSLB100	1"	2.087	1.917	4.272
RSLB125	1-1/4"	2.579	2.39	5.506
RSLB150	1-1/2"	2.697	2.654	6.217
RSLB200	2"	3.075	3.122	6.715



NEC



Part#	Trade Size	A	B	C	D	Hole Diameter
NEC050	1"	2.205	2.217	1.929	2.835	4 Holes 0.287
NEC075	3/4"	2.323	2.500	2.165	3.189	5 Holes 0.382
NEC100	1"	2.677	2.638	2.480	3.701	3 Holes 0.492
						2 Holes 0.453
NEC125	1-1/4"	3.189	3.189	2.795	4.252	3 Holes 0.638
						2 Holes 0.453
NEC150	1-1/2"	3.701	3.524	3.346	5.354	3 Holes 0.803
						2 Holes 0.642
						1 Holes 0.492
NEC200	2"	5.197	4.350	4.488	7.126	3 Holes 1.004
						2 Holes 0.768
						1 Holes 0.571
NEC250	2-1/2"	6.575	6.421	6.181	10.276	3 Holes 1.311
						3 Holes 0.768
						1 Holes 1.004
NEC300	3"	7.205	6.870	6.181	10.276	3 Holes 1.311
						3 Holes 0.870
						1 Holes 1.004
NEC350	3-1/2"	7.205	7.323	7.913	12.44	3 Holes 1.756
						3 Holes 1.122
						1 Holes 1.122
NEC400	4"	7.205	7.815	7.913	12.44	3 Holes 1.756
						3 Holes 1.122
						1 Holes 1.122



## STANDARDS

BELL® UPC Vendor Number 050169.

Where applicable, BELL® products are engineered in accordance with the standards established by Underwriters Laboratories and the Canadian Standards Association. Dimensional data listed in this catalog is intended for general reference with broad tolerance limits.

**2014 NEC®**

When specifying BELL® Weatherproof boxes and covers, consult the requirements of the National Electrical Code®, Article 314.16 (B) and 406.9 (B). Article 314.16 (B) details the NEC® requirements for the maximum number of conductors allowed for a BELL® Weatherproof installation. Article 406.9 (B) provides details on the NEC® requirements for receptacles being used in wet locations.

For your convenience, we have reprinted the pertinent NEC® articles. In all cases, consult your local electrical code and inspector interpretation.

**Wiring Capacity: BELL® Weatherproof Boxes and Extensions****Maximum Number of Conductors or Minimum Size Box (Article 314.16 (B))**

The purpose of Section 314.16 (B) is to determine the maximum conductor count or the minimum box size required for the job. It also can be used to figure how many other conductors may be added without exceeding the Code-prescribed limit. Most applications have determined the number of conductors. The rules of Section 314.16 (B) are used to determine the Code recognized limit, or smallest box that may be installed.

Selection of any HUBBELL® TAYMAC® Weatherproof box or extension for use in any electrical circuit work must take into consideration the maximum number of wires permitted in the box. Safe electrical practice demands that wires not be jammed into boxes because of the possibility of nicks, abrasions, or other damage to the insulating material, creating the potential for ground faults or short circuits.

**314.16 Number of Conductors in Outlet, Device, and Junction Boxes, and Conduit Bodies.** Boxes and conduit bodies shall be of an approved size to provide free space for all enclosed conductors. In no case shall the volume of the box, as calculated in 314.16(A), be less than the fill calculation as calculated in 314.16(B). The minimum volume for conduit bodies shall be as calculated in 314.16(C).

The provisions of this section shall not apply to terminal housings supplied with motors or generators.

Boxes and conduit bodies enclosing conductors 4

AWG or larger shall also comply with the provisions of 314.28.

**(A) Box Volume Calculations.** The volume of a wiring enclosure (box) shall be the total volume of the assembled sections and, where used, the space provided by plaster rings, domed covers, extension rings, and so forth, that are marked with their volume or are made from boxes the dimensions of which are listed in Table 314.16(A). (1) Standard Boxes. The volumes of standard boxes that are not marked with their volume shall be as given in Table 314.16(A).

**(2) Other Boxes.** Boxes 1650 cm<sup>3</sup> (100 in.<sup>3</sup>) or less, other than those described in Table 314.16(A), and nonmetallic boxes shall be durably and legibly marked by the manufacturer with their volume. Boxes described in Table 314.16(A) that have a volume larger than is designated in the table shall be permitted to have their volume marked as required by this section.

**(B) Box Fill Calculations.** The volumes in paragraphs 314.16(B)(1) through (B)(5), as applicable, shall be added together. No allowance shall be required for small fittings such as locknuts and bushings.

**(1) Conductor Fill.** Each conductor that originates outside the box and terminates or is spliced within the box shall be counted once, and each conductor that passes through the box without splice or termination shall be counted once. Each loop or coil of unbroken conductor not less than twice the minimum length required for free conductors in 300.14 shall be counted twice. The conductor fill shall be calculated using Table 314.16(B). A conductor, no part of which leaves the box, shall not be counted.

*Exception: An equipment grounding conductor or conductors or not over four fixture wires smaller than 14 AWG, or both, shall be permitted to be omitted from the calculations where they enter a box from a domed luminaire or similar canopy and terminate within that box.*

**(2) Clamp Fill.** Where one or more internal cable clamps, whether factory or field supplied, are present in the box, a single volume allowance in accordance with Table 314.16(B) shall be made based on the largest conductor present in the box. No allowance shall be required for a cable connector with its clamping mechanism outside the box.

**(3) Support Fittings Fill.** Where one or more luminaire studs or hickey are present in the box, a single volume allowance in accordance with Table 314.16(B) shall be made for each type of fitting based on the largest conductor present in the box.

**(4) Device or Equipment Fill.** For each yoke or strap

containing one or more devices or equipment, a double volume allowance in accordance with Table 314.16(B) shall be made for each yoke or strap based on the largest conductor connected to a device(s) or equipment supported by that yoke or strap. A device or utilization equipment wider than a single 50 mm (2 in.) device box as described in Table 314.16(A) shall have double volume allowances provided for each gang required for mounting.

**(5) Equipment Grounding Conductor Fill.** Where one or more equipment grounding conductors or equipment bonding jumpers enter a box, a single volume allowance in accordance with Table 314.16(B) shall be made based on the largest equipment grounding conductor or equipment bonding jumper present in the box. Where an additional set of equipment grounding conductors, as permitted by 250.146(D), is present in the box, an additional volume allowance shall be made based on the largest equipment grounding conductor in the additional set.

**(C) Conduit Bodies.**

**(1) General.** Conduit bodies enclosing 6 AWG conductors or smaller, other than short-radius conduit bodies as described in 314.16(C)(3), shall have a cross-sectional area not less than twice the cross-sectional area of the largest conduit or tubing to which they can be attached. The maximum number of conductors permitted shall be the maximum number permitted by Table 1 of Chapter 9 for the conduit or tubing to which it is attached.

**(2) With Splices, Taps, or Devices.** Only those conduit bodies that are durably and legibly marked by the manufacturer with their volume shall be permitted to contain splices, taps, or devices. The maximum number of conductors shall be calculated in accordance with 314.16(B). Conduit bodies shall be supported in a rigid and secure manner.

**(3) Short Radius Conduit Bodies.** Conduit bodies such as capped elbows and service-entrance elbows that enclose conductors 6 AWG or smaller, and are only intended to enable the installation of the raceway and the contained conductors, shall not contain splices, taps, or devices and shall be of an approved size to provide free space for all conductors enclosed in the conduit body.

**406.9 Receptacles in Damp or Wet Locations.**

**(A) Damp Locations.** A receptacle installed outdoors in a location protected from the weather or in other damp locations shall have an enclosure for the receptacle that is weatherproof when the receptacle is covered (attachment plug cap not inserted and receptacle covers closed).

An installation suitable for wet locations shall also

be considered suitable for damp locations.

A receptacle shall be considered to be in a location protected from the weather where located under roofed open porches, canopies, marquees, and the like, and will not be subjected to a beating rain or water runoff. All 15- and 20-ampere, 125- and 250-volt nonlocking receptacles shall be a listed weather-resistant type.

Informational Note: The types of receptacles covered by this requirement are identified as 5-15, 5-20, 6-15, and 6-20 in ANSI/NEMA WD 6-2002, National Electrical Manufacturers Association Standard for Dimensions of Attachment Plugs and Receptacles.

**(B) Wet Locations.**

**(1) Receptacles of 15 and 20 Amperes in a Wet Location.** 15- and 20-ampere, 125- and 250-volt receptacles installed in a wet location shall have an enclosure that is weatherproof whether or not the attachment plug cap is inserted. An outlet box hood installed for this purpose shall be listed and shall be identified as “extra-duty.” All 15- and 20- ampere, 125- and 250-volt nonlocking-type receptacles shall be listed weather-resistant type.

Informational Note No. 1: Requirements for extra-duty outlet box hoods are found in ANSI/UL 514D-2000, Cover Plates for Flush-Mounted Wiring Devices.

Informational Note No. 2: The types of receptacles covered by this requirement are identified as 5-15, 5-20, 6-15, and 6-20 in ANSI/NEMA WD 6-2002, National Electrical Manufacturers Association Standard for Dimensions of Attachment Plugs and Receptacles.

*Exception: 15- and 20-ampere, 125- through 250-volt receptacles installed in a wet location and subject to routine high-pressure spray washing shall be permitted to have an enclosure that is weatherproof when the attachment plug is removed.*

**(2) Other Receptacles.** All other receptacles installed in a wet location shall comply with (B)(2)(a) or (B)(2)(b).

(a) A receptacle installed in a wet location, where the product intended to be plugged into it is not attended while in use, shall have an enclosure that is weatherproof with the attachment plug cap inserted or removed.

(b) A receptacle installed in a wet location where the product intended to be plugged into it will be attended while in use (e.g., portable tools) shall have an enclosure that is weatherproof when the attachment plug is removed.

**(C) Bathtub and Shower Space.** Receptacles shall not be installed within or directly over a bathtub or shower stall.

**(D) Protection for Floor Receptacles.** Standpipes of floor receptacles shall allow floor-cleaning equipment to be operated without damage to receptacles.

**(E) Flush Mounting with Faceplate.** The enclosure for a receptacle installed in an outlet box flush-mounted in a finished surface shall be made weatherproof by means of a weatherproof faceplate assembly that provides a watertight connection between the plate and the finished surface.

**GENERAL FEATURES AND BENEFITS**

BELL® Weatherproof products all offer these features and benefits:

- Rugged seamless die cast construction that will not allow entry of moisture
- Reinforced connector outlets to provide a secure mechanical installation
- State-of-the-art powder coat paint for maximum weatherability and scratch resistance
- Bilingual instructions provided with every product
- Installation hardware and ground screws included where applicable
- Shrink-wrap packaging that keeps all components together
- UPC-A barcoding to help lower transaction costs

Refer to the pages that follow for more specific information about BELL® products.

National Electric Code® and NEC® is a registered Trademark of the National Fire Protection Association.

**Calculate The Minimum Size Box**

Section 314-16(B) describes in detail the method of counting wires, as well as clamps, fittings, or devices (i.e., switches, receptacles, combination devices) — by establishing an equivalent conductor-value for each. These values are added together to get a total number of conductors. The minimum size box is the smallest one in cubic inch size that can accommodate that number of conductors.

**Points to Remember:**

1. No matter how many ground wires come into a box, they only count as one conductor within the box.
2. Any wire running unbroken through the box counts as one wire.
3. Each wire coming into a splice device (crimp or twist-on type) is counted as one wire.
4. Each wire coming into the box and connecting to a device counts as one wire of that size.
5. Where devices are mounted in the box, the total conductor count must be increased by two for each mounting strap.

Table 314.16(B) Volume Allowance Required per Conductor		
Size of Conductor	Free Space Within Box for Each Conductor	
(AWG)	cm <sup>3</sup>	in. <sup>3</sup>
18	24.6	1.50
16	28.7	1.75
14	32.8	2.00
12	36.9	2.25
10	41.0	2.50
8	49.2	3.00
6	81.9	5.00

**Example – BELL® Weatherproof**

Supply power to a single switch with #14 conductors. Metal conduit will be used as the wire way. You must provide space for four conductors and one switch, totally a conductor count of 6. Read across the line in Table 314.16(B) for a #14 conductor. Multiply 6 times the free space within a box. For each conductor for a #14 conductor 2.00. This example requires a minimum box of 12.0 cubic inches.

**DIE CAST ALUMINUM SINGLE-GANG BOXES**

**APPLICATIONS**

- For use in branch circuit wiring in wet, damp or dry locations.
- May be used as a weatherproof junction box, or as a housing for receptacles, switches and GFCI's.

**PRODUCT FEATURES**

- Reinforced connector outlets
- State-of-the-art powder coat finish
- Eight box mounting options with detachable lugs provided
- Two closure plugs included
- Ground screw installed
- Multi-lingual instructions in each package
- Internal threads on hubs comply with NEMA requirements. Hubs accept all threaded fittings and threaded conduit.

**COMPLIANCES**

-  – File 195978
-  – C22.2 No. 18
- NEMA 3R Rated



5320-0 TO 5320-9  
5324-0 TO 5324-5



5321-0 TO  
5321-6, 5330-0



5322-0, 5331-0



5323-0, 5332-0



5385-0 TO 5387-0

CATALOG #	CUBIC IN. (CM <sup>3</sup> )	DESCRIPTION COLOR	OUTLETS	PKG. TYPE	STD. PKG.	BARCODE
<b>2" Deep, with Lugs – Three Threaded Outlets – 4-1/2" X 2-3/4"</b>						
5320-0	18.3 (299.9)	Gray	(3) 1/2"	Shrink	20	
5320-1	18.3 (299.9)	White	(3) 1/2"	Shrink	20	
5320-2	18.3 (299.9)	Bronze	(3) 1/2"	Shrink	20	
5320-5	18.3 (299.9)	Gray	(3) 1/2"	Carded	6	
5320-6	18.3 (299.9)	White	(3) 1/2"	Carded	6	
5320-7	18.3 (299.9)	Bronze	(3) 1/2"	Carded	6	
5320-9	18.3 (299.9)	Gray	(3) 1/2"	Bulk	50	–
5324-0	18.3 (299.9)	Gray	(3) 3/4"	Shrink	20	
5324-1	18.3 (299.9)	White	(3) 3/4"	Shrink	20	
5324-5	18.3 (299.9)	Gray	(3) 3/4"	Carded	6	
<b>2" Deep, with Lugs – Four Threaded Outlets – 4-1/2" X 2-3/4"</b>						
5321-0	18.3 (299.9)	Gray	(4) 1/2"	Shrink	20	
5321-1	18.3 (299.9)	White	(4) 1/2"	Shrink	20	
5321-2	18.3 (299.9)	Bronze	(4) 1/2"	Shrink	20	
5321-5	18.3 (299.9)	Gray	(4) 1/2"	Carded	6	
5321-6	18.3 (299.9)	White	(4) 1/2"	Carded	6	
5330-0	18.3 (299.9)	Gray	(4) 3/4"	Shrink	20	
<b>2" Deep, with Lugs – Five Threaded Outlets – 4-1/2" X 2-3/4"</b>						
5322-0	18.3 (299.9)	Gray	(5) 1/2"	Shrink	20	
5331-0	18.3 (299.9)	Gray	(5) 3/4"	Shrink	20	
5323-0	18.3 (299.9)	Gray	(5) 1/2"	Shrink	20	
5332-0	18.3 (299.9)	Gray	(5) 3/4"	Shrink	20	
<b>2-5/8" Deep, with Lugs – Three Threaded Outlets – 4-1/2" X 2-3/4"</b>						
5385-0	22.5 (368.7)	Gray	(3) 1/2"	Shrink	15	
5386-0	22.5 (368.7)	Gray	(3) 3/4"	Shrink	15	
5387-0	22.5 (368.7)	Gray	(3) 1"	Shrink	15	

**DIE CAST ALUMINUM SINGLE-GANG EXTENSIONS AND ADAPTERS**



**5406-0**  
(No ground screw provided)



**5399-0, 5403-0**  
(Includes one closure plug)



**5400-0 to 5400-5**  
**5405-0**  
(Includes three closure plugs)

**APPLICATIONS**

- Used to provide additional capacity needed for NEC box fill requirements.
- Adapters allow installer to add “take-offs” to new boxes/devices.

**PRODUCT FEATURES**

- Installation hardware, gasket, and ground screw provided
- Closure plugs provided for two and six outlet styles
- Internal threads and hubs comply with NEMA requirements. Hubs accept all threaded fittings and threaded conduit.

**COMPLIANCES**

- – File E195978
- – C22.2 No. 18
- NEMA 3R Rated

CATALOG #	CUBIC IN. (CM <sup>3</sup> )	DESCRIPTION COLOR	OUTLETS	PKG. TYPE	STD. PKG.	BARCODE
<b>Single-Gang Extension – 4-1/2" X 2-3/4" X 1" Deep</b>						
5406-0	9.5 (155.7)	Gray	—	Shrink	25	
<b>Single-Gang – Extension Adapters – 5-1/4" X 3-1/2" X 1-1/2" Deep – Two threaded outlets</b>						
5399-0	9.5 (155.7)	Gray	(2) 1/2"	Shrink	20	
5403-0	11.0 (180.3)	Gray	(2) 3/4"	Shrink	20	
<b>Single-Gang – Extension Adapters – 5-1/4" X 3-1/2" X 1-1/2" Deep – Six Threaded outlets</b>						
5400-0	9.5 (155.7)	Gray	(6) 1/2"	Shrink	20	
5400-5	9.5 (155.7)	Gray	(6) 1/2"	Carded	6	
5405-0	11.0 (180.3)	Gray	(6) 3/4"	Shrink	20	



**5412-0, 5413-0**  
(Includes one closure plug)



**5414-0, 5415-0**  
(Includes three closure plugs)

**APPLICATIONS**

- Used to provide additional capacity needed for NEC box fill requirements.
- Allows installer to add “take-offs” to new boxes/devices.

**PRODUCT FEATURES**

- Unique swing-arm design speeds installation by allowing the installer better visibility when lining up and threading fasteners.
- Rugged die cast construction
- Reinforced connector outlets
- State-of-the-art powder coat finish
- Installation hardware, ground screw and gasket provided
- Multi-lingual instructions in each package
- Internal threads and hubs comply with NEMA requirements. Hubs accept all threaded fittings and threaded conduit.

**COMPLIANCES**

- – File E195978
- – C22.2 No. 18
- NEMA 3R Rated

CATALOG #	CUBIC IN. (CM <sup>3</sup> )	DESCRIPTION COLOR	OUTLETS	PKG. TYPE	STD. PKG.	BARCODE
<b>Swing-Arm – Extension Adapters – 5-1/4" X 3-1/2" X 1-1/2" Deep – Two Threaded Outlets</b>						
5412-0	13.8 (226.1)	Gray	(2) 1/2"	Shrink	10	
5413-0	13.8 (226.1)	Gray	(2) 3/4"	Shrink	10	
<b>Swing-Arm – Extension Adapters – 5-1/4" X 3-1/2" X 1-1/2" Deep – Six Threaded Outlets</b>						
5414-0	12.8 (209.8)	Gray	(6) 1/2"	Shrink	10	
5415-0	12.8 (209.8)	Gray	(6) 3/4"	Shrink	10	

**DIE CAST ALUMINUM TWO-GANG BOXES**

**APPLICATIONS**

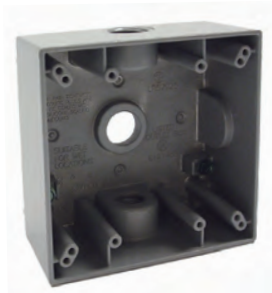
- For use in branch circuit wiring in wet, damp, or dry locations.
- May be used as a weatherproof junction box, or as a housing for receptacles, switches and GFCI's.

**PRODUCT FEATURES**

- Reinforced connector outlets
- State-of-the-art powder coat finish
- Eight box mounting options with detachable lugs provided
- Two closure plugs included
- Ground screw installed
- Multi-lingual instructions in each package
- Internal threads on hubs comply with NEMA requirements. Hubs accept all threaded fittings and threaded conduit.

**COMPLIANCES**

-  – File E195978
-  – C22.2 No. 18
- NEMA 3R Rated



5333-0, 5341-0



5335-0, 5343-0



5337-0 to 5337-5,  
5345-0



5334-0, 5342-0



5340-0, 5348-0



5338-0, 5346-0



5388-0, 5389-0

CATALOG #	CUBIC IN. (CM <sup>3</sup> )	DESCRIPTION		PKG. TYPE	STD. PKG.	BARCODE
		COLOR	OUTLETS			
<b>2" Deep, with Lugs – Three Threaded Outlets – 4-1/2" X 4-1/2"</b>						
5333-0	32.0 (524.4)	Gray	(3) 1/2"	Shrink	12	
5341-0	32.0 (524.4)	Gray	(3) 3/4"	Shrink	12	
<b>2" Deep, with Lugs – Four Threaded Outlets – 4-1/2" X 4-1/2"</b>						
5335-0	31.0 (508.0)	Gray	(4) 1/2"	Shrink	12	
5343-0	31.0 (508.0)	Gray	(4) 3/4"	Shrink	12	
<b>2" Deep, with Lugs – Five Threaded Outlets – 4-1/2" X 2-3/4"</b>						
5337-0	31.0 (508.0)	Gray	(5) 1/2"	Shrink	12	
5337-1	31.0 (508.0)	White	(5) 1/2"	Shrink	12	
5337-5	31.0 (508.0)	Gray	(5) 1/2"	Carded	4	
5345-0	31.0 (508.0)	Gray	(5) 3/4"	Shrink	12	
5334-0	32.0 (524.4)	Gray	(5) 1/2"	Shrink	12	
5342-0	32.0 (524.4)	Gray	(5) 3/4"	Shrink	12	
<b>2" Deep, with Lugs – Seven Threaded Outlets – 4-1/2" X 4-1/2"</b>						
5340-0	30.2 (494.9)	Gray	(7) 1/2"	Shrink	12	
5348-0	30.2 (494.9)	Gray	(7) 3/4"	Shrink	12	
5338-0	31.0 (508.0)	Gray	(7) 1/2"	Shrink	12	
5346-0	31.0 (508.0)	Gray	(7) 3/4"	Shrink	12	
<b>2-5/8" Deep, with Lugs – Five Threaded Outlets – 4-1/2" X 4-1/2"</b>						
5388-0	36.0 (589.9)	Gray	(5) 3/4"	Shrink	9	
5389-0	36.0 (589.9)	Gray	(5) 1"	Shrink	9	



**DIE CAST MULTI-GANG BOXES AND EXTENSIONS**

TWO-GANG EXTENSION



5407-0

CATALOG #	CUBIC IN. (CM <sup>3</sup> )	DESCRIPTION		PKG. TYPE	STD. PKG.	BARCODE
		COLOR	OUTLETS			
<b>Two-Gang Extension – 4-21/32" X 4-21/32" X 1-1/32" Deep</b>						
5407-0	16.0 (262.2)	Gray	—	Shrink	10	

**APPLICATION**

- Used to provide additional capacity needed for NEC box fill requirements.

**PRODUCT FEATURES**

- Rugged seamless construction
- State-of-the-art powder coat finish
- Installation hardware and gasket provided
- Multi-lingual instructions in each package

**COMPLIANCES**

- – File E195978
- – C22.2 No. 18
- NEMA 3R Rated

THREE-GANG BOX



5390-0

CATALOG #	CUBIC IN. (CM <sup>3</sup> )	DESCRIPTION		PKG. TYPE	STD. PKG.	BARCODE
		COLOR	OUTLETS			
<b>Three-Gang Box – 2-5/8" Deep, with Lugs – Seven Threaded Outlets – 4-1/2" X 6-3/8"</b>						
5390-0	55.0 (901.3)	Gray	(7) 3/4"	Boxed	1	

**APPLICATIONS**

- For use in branch circuit wiring in wet, damp or dry locations.
- Can be used as a weatherproof junction box, or as a housing for receptacles, switches and GFCI's.

**PRODUCT FEATURES**

- Seamless die cast aluminum construction
- Reinforced connector outlets
- State-of-the-art powder coat finish
- Eight box mounting options with de-tachable lugs provided
- Four closure plugs included
- Ground screws installed
- Multi-lingual instructions in each package
- Internal threads and hubs comply with NEMA requirements. Hubs accept all threaded fittings and threaded conduit.

**COMPLIANCES**

- – File E195978
- – C22.2 No. 18
- NEMA 3R Rated

DIE CAST ALUMINUM ROUND SPLICE BOXES AND EXTENSION ADAPTERS

4" ROUND BOX

**APPLICATIONS**

- For use in branch circuit wiring in wet, damp or dry locations.
- Designed for use as a weatherproof junction box, and may be used with BELL® round cluster covers and round lampholder combinations.

**PRODUCT FEATURES**

- Rugged die cast construction
- Reinforced connector outlets
- State-of-the-art powder coat finish
- Cast-in mounting lugs provide fast, secure installation
- Includes four closure plugs, installed ground screw and multi-lingual instructions.

**COMPLIANCES**

-  – File E195978
-  – C22.2 No. 18
- NEMA 3R Rated



5361-0 to 5361-7, 5372-0

CATALOG #	CUBIC IN. (CM <sup>3</sup> )	DESCRIPTION		PKG. TYPE	STD. PKG.	BARCODE
		COLOR	OUTLETS			
<b>4" Round Splice Box – Five Threaded Outlets – 1-1/2" Deep</b>						
5361-0	16.0 (262.2)	Gray	(5) 1/2"	Shrink	16	
5361-1	16.0 (262.2)	White	(5) 1/2"	Shrink	16	
5361-2	16.0 (262.2)	Bronze	(5) 1/2"	Shrink	16	
5361-5	16.0 (262.2)	Gray	(5) 1/2"	Carded	6	
5361-6	16.0 (262.2)	White	(5) 1/2"	Carded	6	
5361-7	16.0 (262.2)	Bronze	(5) 1/2"	Carded	6	
5372-0	16.0 (262.2)	Gray	(5) 3/4"	Shrink	16	

ROUND EXTENSION ADAPTERS



**APPLICATIONS**

- For use with 4" round splice boxes
- Extension adapters are used to increase box capacity and allow the installer to add "take-offs" to new boxes/devices.

**PRODUCT FEATURES**

- Rugged die cast construction
- Reinforced connector outlets
- State-of-the-art powder coat finish
- Includes installation hardware, closure plugs, gasket and multi-lingual instructions.

**COMPLIANCES**

-  – File E195978
-  – C22.2 No. 18
- NEMA 3R Rated



5363-0

CATALOG #	CUBIC IN. (CM <sup>3</sup> )	DESCRIPTION		PKG. TYPE	STD. PKG.	BARCODE
		COLOR	OUTLETS			
<b>4" Round Extension Adapter – Four Threaded Outlets – 1-1/2" Deep</b>						
5363-0	16.3 (267.1)	Gray	(4) 1/2"	Shrink	16	



ROUND BOX COVERS



5374-0

**APPLICATION**

- For use with 4" round splice boxes

**PRODUCT FEATURES**

- Rugged metallic construction
- State-of-the-art powder coat finish
- Includes installation hardware, gasket and multi-lingual instructions.

**COMPLIANCES**

-  – File E195978
-  – C22.2 No. 18
- NEMA 3R Rated

CATALOG #	DESCRIPTION COLOR	OUTLETS	PKG. TYPE	STD. PKG.	BARCODE
5374-0	Gray	—	Shrink	30	

4" Round Cover

**RAYNGUARD EXTRA DUTY® WHILE-IN-USE METALLIC COVERS**



**APPLICATION**

- The RaynGuard™ Extra Duty® Metallic While-In-Use covers are designed for use whenever protection is required while an outlet is in use.

**PRODUCT FEATURES**

- Superior commercial quality die-cast aluminum
- Meets or exceeds Extra Duty® rating in UL 514D
- Contractor surveyed and preferred for exact application - no plates to assemble
- NEMA 3R rated / Patent Pending
- Added rain chamber for extra protection from splashing
- Provision on each side for holding cords - No pull-outs
- Padlockable - Accepts standard size padlocks
- Includes gasket and hardware
- Powder coated for corrosion protection
- Unique lid design allows larger plugs and provides more room for bend radius of electrical cords
- Device or box mounting

**COMPLIANCES**

- – File E195978
- NEMA 3R Rated
- Meets NEC 406.9 (B) Requirements

U.S. Patent 8,013,245



CATALOG #	DESCRIPTION	DEPTH	COLOR	PKG. TYPE	STD. PKG.	BARCODE
<b>1-Gang Extra Duty While-In-Use Covers</b>						
5881-0	Vertical GFCI	3"	Gray	Shrink	4	
5802-0	Horizontal GFCI	3"	Gray	Shrink	3	
5852-0	Vertical Duplex	3"	Gray	Shrink	4	
5861-0	Horizontal Duplex	3"	Gray	Shrink	3	
<b>1-Gang Extra Duty Deep While-In-Use Covers</b>						
5830-0	Vertical 1.55" or 2.10" Single Round	4.5"	Gray	Shrink	3	
<b>2-Gang Extra Duty While-In-Use Covers</b>						
5885-0	(2) GFCI	3"	Gray	Shrink	3	
5880-0	(2) Duplex	3"	Gray	Shrink	3	
5876-0	GFCI/Duplex	3"	Gray	Shrink	3	

METAL SINGLE-GANG DEVICE COVERS

MULTI-CONFIGURATION

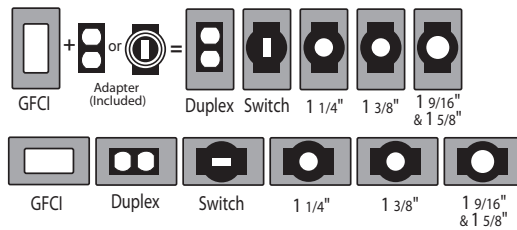


MX1050S, Z, W



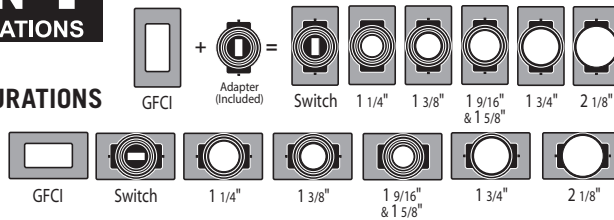
MX1250S, Z, W

**12 IN 1**  
CONFIGURATIONS



**14 IN 1**  
CONFIGURATIONS

CONFIGURATIONS



MX1550S

**APPLICATIONS**

- For use whenever weatherproof protection is required for an outdoor receptacle or switch.

**PRODUCT FEATURES**

- Heavy duty die-cast metal construction
- Patented Quick-Fit™ keyhole mounting system allows cover installation in under a minute
- Includes gasket and mounting hardware
- Base configuration with patented Knock-Out™ technology for custom fitting
- Premium powdercoat finish
- Horizontal or vertical mount
- Lockable tab

**COMPLIANCES**

- UL – File E212332
  - NEMA 3R Rated
  - Meets NEC 406.9 (B) Requirements
- U.S. Patent 8,013,245

CATALOG #	DESCRIPTION	COLOR	PKG. TYPE	STD. PKG.	BARCODE
<b>1-Gang Flip Covers</b>					
MX1050S	Vertical/Horizontal	Gray	Shrink	20	
MX1050Z	Vertical/Horizontal	Bronze	Shrink	20	
MX1050W	Vertical/Horizontal	White	Shrink	20	
MX1250S	Horizontal/Vertical	Gray	Shrink	20	
MX1250Z	Horizontal/Vertical	Bronze	Shrink	20	
MX1250W	Horizontal/Vertical	White	Shrink	20	
MX1550S	Vertical/Horizontal Twist Lock Cover	Gray	Shrink	10	

METAL SINGLE-GANG DEVICE COVERS

DIE CAST ALUMINUM RAYNTITE®

**APPLICATION**

- For use whenever weatherproof protection is required for an outdoor receptacle.

**PRODUCT FEATURES**

- Rugged die cast construction
- State-of-the-art powder coat finish provides maximum weatherability and scratch resistance.
- Self-closing lids assure weatherproof protection when the receptacle is not in use
- Vertical mount covers are padlockable
- May be mounted to box or device
- Includes installation hardware, gasket, and multi-lingual instruction

**COMPLIANCES**

-  – File E195978
-  – C22.2 No. 18
- NEMA 3R Rated



5027-0



5028-0 to 5028-6



5029-0, 5030-0



5031-0



5026-0



5001-0



5002-0

CATALOG #	DESCRIPTION	COLOR	PKG. TYPE	STD. PKG.	BARCODE
<b>Vertical Mount – Padlockable</b>					
5026-0	Single, 1.593" diameter	Gray	Shrink	24	
5027-0	Duplex	Gray	Shrink	24	
5028-0	GFCI	Gray	Shrink	24	
5028-5	GFCI	Gray	Carded	6	
5028-6	GFCI	White	Carded	6	
5029-0	20A, 1.710" diameter	Gray	Shrink	12	
5030-0	30-50A, 2.150" diameter	Gray	Shrink	12	
5031-0	Single, 1.406" diameter	Gray	Shrink	12	
<b>Horizontal Mount</b>					
5001-0	Duplex	Gray	Shrink	24	
5002-0	GFCI	Gray	Shrink	24	

VERTICAL FLIP COVERS



5146-0 to  
5146-5



5147-0



5103-0 to  
5103-7



5104-0



5155-0 to  
5155-6



5095-0



5091-0

**APPLICATION**

- For use whenever weatherproof protection is required for an outdoor receptacle.

**PRODUCT FEATURES**

- Rugged metallic construction
- State-of-the-art powder coat finish provides maximum weatherability and scratch resistance
- Self-closing lids assure weatherproof protection when the receptacle is not in use.
- Includes installation hardware, gasket and multi-lingual instructions

**COMPLIANCES**

-  – File E195978
- NEMA 3R Rated

CATALOG #	DESCRIPTION	COLOR	PKG. TYPE	STD. PKG.	BARCODE
<b>Device Mount</b>					
5146-0	Duplex	Gray	Shrink	24	
5146-1	Duplex	White	Shrink	24	
5146-5	Duplex	Gray	Carded	6	
5147-0	Duplex	Gray	Shrink	24	
5103-0	GFCI	Gray	Shrink	24	
5103-1	GFCI	White	Shrink	24	
5103-2	GFCI	Bronze	Shrink	24	
5103-5	GFCI	Gray	Carded	6	
5103-6	GFCI	White	Carded	6	
5103-7	GFCI	Bronze	Carded	6	
5104-0	GFCI	Gray	Shrink	24	
5155-0	Single, 1.406" diameter	Gray	Shrink	24	
5155-1	Single, 1.406" diameter	White	Shrink	24	
5155-5	Single, 1.406" diameter	Gray	Carded	6	
5155-6	Single, 1.406" diameter	White	Carded	6	
<b>Box Mount</b>					
5095-0	Duplex	Gray	Shrink	24	
5091-0	Single, 1.406" diameter	Gray	Shrink	24	

METAL SINGLE-GANG DEVICE COVERS

HORIZONTAL FLIP COVERS

APPLICATION

- For use whenever weatherproof protection is required for an outdoor receptacle.

PRODUCT FEATURES

- Rugged metallic construction
- State-of-the-art powder coat finish provides maximum weatherability and scratch resistance.
- Self-closing lids assure weatherproof protection when the receptacle is not in use.
- Includes installation hardware, gasket and multi-lingual instructions

COMPLIANCES

-  – File E195978
-  – Certified C22.2 No. 18
-  – NEMA 3R Rated



5180-0 to 5180-7



5181-0



5101-0 to 5101-7



5102-0



5152-0



5153-0



5712-5



5094-0

CATALOG #	DESCRIPTION	COLOR	PKG. TYPE	STD. PKG.	BARCODE
<b>Device Mount</b>					
5180-0	Duplex	Gray	Shrink	24	
5180-1	Duplex	White	Shrink	24	
5180-2	Duplex	Bronze	Shrink	24	
5180-5	Duplex	Gray	Carded	6	
5180-6	Duplex	White	Carded	6	
5180-7	Duplex	Bronze	Carded	6	
5181-0	Duplex	Gray	Shrink	24	
5101-0*	GFCI	Gray	Shrink	24	
5101-1*	GFCI	White	Shrink	24	
5101-2*	GFCI	Bronze	Shrink	24	
5101-5*	GFCI	Gray	Carded	6	
5101-6*	GFCI	White	Carded	6	
5101-7*	GFCI	Bronze	Carded	6	
5102-0	GFCI	Gray	Shrink	24	
5152-0	Single, 1.406" diameter	Gray	Shrink	24	
5153-0	Motor plug base, 1.600" diameter, 125V, 15A wiring device included	Gray	Shrink	12	
5712-5*	125V, 15A Duplex receptacle included	Gray	Carded	6	
<b>Box Mount</b>					
5094-0	Duplex	Shrink	24	Gray	

\* C/UL Listed



# PROOF

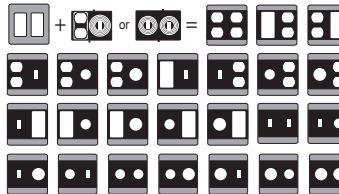
## METAL TWO-GANG DEVICE COVERS

### MULTI-CONFIGURATION



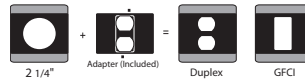
MX2050S, Z, WH

**25 IN 1**  
CONFIGURATIONS



MX2150S

**3 IN 1**  
CONFIGURATIONS



#### APPLICATIONS

- For use whenever weatherproof protection is required for an outdoor receptacle or switch.

#### PRODUCT FEATURES

- Heavy duty die-cast metal construction
- Patented Quick-Fit™ keyhole mounting system allows cover installation in under a minute.
- Includes gasket and mounting hardware
- Base configuration with patented Knock-Out™ technology for custom fitting
- Premium powdercoat finish
- Horizontal or vertical mount
- Lockable tab

#### COMPLIANCES

- – File E212332
  - NEMA 3R Rated
- U.S. Patents: 8,314,334; D 569,811

CATALOG #	DESCRIPTION	COLOR	PKG. TYPE	STD. PKG.	BARCODE
<b>2-Gang Flip Covers</b>					
MX2050S	2-Device 25-in-1	Gray	Shrink	8	
MX2050Z	2-Device 25-in-1	Bronze	Shrink	4	
MX2050WH	2-Device 25-in-1	White	Shrink	4	
MX2150S	1-Device 3-in-1	Gray	Shrink	6	

METAL TWO-GANG DEVICE COVERS

DIE CAST ALUMINUM RAYNTITE®



**APPLICATION**

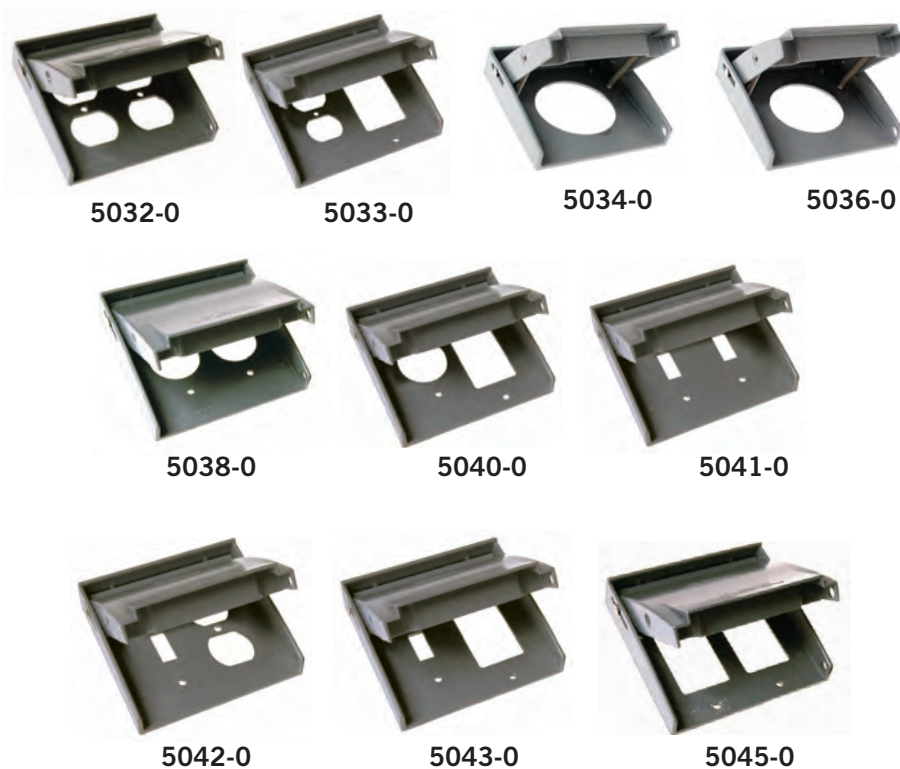
- For use whenever weatherproof protection is required for an outdoor receptacle.

**PRODUCT FEATURES**

- Rugged die cast construction
- State-of-the-art powder coat finish provides maximum weatherability and scratch resistance.
- Self-closing lids assure weatherproof protection when the receptacle is not in use.
- Covers are padlockable, 1/4" dia. hole
- May be mounted to box or device
- Includes installation hardware, gasket and multi-lingual instructions

**COMPLIANCES**

-  – File E195978
-  – C22.2 No. 18
- NEMA 3R Rated



CATALOG #	DESCRIPTION	COLOR	PKG. TYPE	STD. PKG.	BARCODE
<b>Vertical Mount – Padlockable</b>					
5032-0	(2) Duplex	Gray	Shrink	6	
5033-0	(1) Duplex & (1) GFCI	Gray	Shrink	6	
5034-0	(1) 30-50A Receptacle 2.625" diameter	Gray	Shrink	6	
5036-0	(1) 30-50A Receptacle 2.156" diameter	Gray	Shrink	6	
5038-0	(2) Receptacles, 1.406" diameter	Gray	Shrink	6	
5040-0	(1) Single Receptacle, 1.406" diameter & (1) GFCI	Gray	Shrink	6	
5041-0	(2) Toggle	Gray	Shrink	6	
5042-0	(1) Toggle & (1) Duplex	Gray	Shrink	6	
5043-0	(1) Toggle & (1) GFCI	Gray	Shrink	6	
5045-0	(2) GFCI	Gray	Shrink	6	

# PROOF

## METAL TWO-GANG DEVICE COVERS



5148-0 TO 5148-5



5157-0



5132-0



5133-0



5160-0



5138-0



5145-0



5092-0



5096-0



5098-0

### APPLICATION

- For use whenever weatherproof protection is required for an outdoor receptacle.

### PRODUCT FEATURES

- Rugged metallic construction
- State-of-the-art powder coat finish provides maximum weatherability and scratch resistance.
- Self-closing lids assure weatherproof protection when the receptacle is not in use.
- Includes installation hardware, gasket and multi-lingual instructions

### COMPLIANCES

- – File E195978
- – File E195978 (#5132 - #5145)
- – C22.2 (#5132 - #5145)
- NEMA 3R Rated

CATALOG #	DESCRIPTION	COLOR	PKG. TYPE	STD. PKG.	BARCODE
<b>Device Mount</b>					
5132-0	(2) Duplex	Gray	Shrink	10	
5138-0	(2) Round, 1.406" Dia.	Gray	Shrink	10	
5148-0	(2) Duplex	Gray	Shrink	18	
5148-5	(2) Duplex	Gray	Carded	4	
5157-0	(2) Single, 1.406" dia.	Gray	Shrink	18	
5160-0	(1) Duplex & (1) Single, 1.406" dia.	Gray	Shrink	12	
<b>Box Mount</b>					
5096-0	(2) Duplex	Gray	Shrink	12	
5092-0	(2) Single, 1.406" dia.	Gray	Shrink	12	
5098-0	(1) Duplex & (1) Single, 1.406" dia.	Gray	Shrink	12	
5133-0	(1) Duplex, (1) GFCI	Gray	Shrink	10	
5145-0	(2) GFCI	Gray	Shrink	10	

METAL THREE-GANG DEVICE COVERS

MULTI-CONFIGURATION COVERS


APPLICATIONS

- For use whenever weatherproof protection is required for an outdoor receptacle or switch.

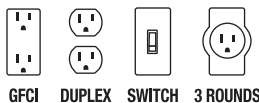
PRODUCT FEATURES

- Heavy duty die-cast metal construction
- Patented Quick-Fit™ keyhole mounting system allows cover installation in under a minute.
- Includes gasket and mounting hardware
- Base configuration with patented Knock-Out™ technology for custom fitting.
- Premium powdercoat finish
- Horizontal or vertical mount
- Lockable tab

COMPLIANCES

-  – File E212332
- 2014 NEC® compliant
- NEMA 3R rated

**125 IN 1**  
CONFIGURATIONS



MX3050S

CATALOG #	DESCRIPTION	COLOR	PKG. TYPE	STD. PKG.	BARCODE
<b>Multi-Configuration 3-Gang Flip Covers</b>					
MX3050S	3-Device 125-in-1	Gray	Shrink	5	

BOX MOUNT FLIP COVERS

APPLICATIONS

- For use whenever weatherproof protection is required for an outdoor receptacle.
- Blank covers for use whenever weatherproof protection is required for a multi-gang box

PRODUCT FEATURES

- Rugged metallic construction
- State-of-the-art powder coat finish provides maximum weatherability and scratch resistance
- Self-closing lids assure weatherproof protection when the receptacle is not in use
- Includes installation hardware, gasket, and multi-lingual instructions

COMPLIANCES

-  – File E195978
- NEMA 3R Rated



5097-0



5093-0

CATALOG #	DESCRIPTION	COLOR	PKG. TYPE	STD. PKG.	BARCODE
<b>3-Gang Flip Covers</b>					
5097-0	(3) Duplex	Gray	Boxed	1	
5093-0	(3) Single, 1.406" dia.	Gray	Boxed	1	



FLIP COVER KITS



5839-5 TO 5839-7



5874-5 TO 5874-6



MK1250S, WH

APPLICATION

- For use in wet, damp, or dry locations

PRODUCT FEATURES

- Each kit is a convenient, complete weatherproof installation – no need to purchase **separate components**
- Easy to follow multi-lingual instructions included

COMPLIANCES

- – File E313240
- – File E346152 (5874 Series)

CATALOG #	DESCRIPTION	COLOR	PKG. TYPE	STD. PKG.	BARCODE
<b>Complete Flip Cover Kits</b>					
5839-5	Duplex	Gray	Box	4	
5839-5WRTR	WRTR Duplex	Gray	Box	4	
5839-6	Duplex	White	Box	4	
5839-6WRTR	WRTR Duplex	White	Box	4	
5839-7	Duplex	Bronze	Box	4	
5839-7WRTR	WRTR Duplex	Bronze	Box	4	
5874-5	GFCI	Gray	Box	4	
5874-6	GFCI	White	Box	4	
MK1250S	Duplex	Gray	Clamshell	4	
MK1250WH	Duplex	White	Clamshell	4	

**METAL BLANK COVERS**

**APPLICATION**

- For use whenever weatherproof protection is required for a weatherproof box.

**PRODUCT FEATURES**

- Rugged metallic construction
- State-of-the-art powder coat finish provides maximum weatherability and scratch resistance

**COMPLIANCES**

-  – File E195978
- NEMA 3R Rated



5173-0 to 5173-7

5174-0

5175-0 TO 5175-5

5177-0

CATALOG #	DESCRIPTION	COLOR	PKG. TYPE	STD. PKG.	BARCODE
<b>One-Gang Blank Covers - Device Mount</b>					
5173-0	Blank Cover	Gray	Shrink	50	
5173-1	Blank Cover	White	Shrink	50	
5173-2	Blank Cover	Bronze	Shrink	50	
5173-5	Blank Cover	Gray	Carded	12	
5173-6	Blank Cover	White	Carded	12	
5173-7	Blank Cover	Bronze	Carded	12	
<b>One-Gang Blank Covers - Box Mount</b>					
5174-0	Blank Cover	Gray	Shrink	50	
<b>Two-Gang Blank Covers - Device Mount</b>					
5175-0	Blank Cover	Gray	Shrink	25	
5175-1	Blank Cover	White	Shrink	25	
5175-2	Blank Cover	Bronze	Shrink	25	
5175-5	Blank Cover	Gray	Carded	6	
<b>Three-Gang Blank Covers - Box Mount</b>					
5177-0	Blank Cover	Gray	Boxed	10	

# PROOF

## METAL TOGGLE SWITCH COVERS



5121-0 to 5121-5  
5141-0 to 5141-5  
5128-0, 5137-0



5124-0



5125-0



5166-0 to 5166-5



5167-0



5126-0

5201-0

### APPLICATION

- For use whenever weatherproof protection is required for an "on-off" type switch

### PRODUCT FEATURES

- Rugged metallic construction
- State-of-the-art powder coat finish provides maximum weatherability and scratch resistance.
- Includes installation hardware and multi-lingual instructions
- Most units supplied with a switch(es) – no need to purchase separate components
- Switch/cover units are supplied with the switch unassembled to the cover

### COMPLIANCES

- – File E195978
- – Certified
- NEMA 3R Rated

CATALOG #	DESCRIPTION	COLOR	PKG. TYPE	STD. PKG.	BARCODE
<b>Single-Gang Switch Covers – Vertical – Device Mounted</b>					
5121-0	SP 125V, 10A	Gray	Shrink	24	
5121-1	SP 125V, 10A	White	Shrink	24	
5121-2	SP 125V, 10A	Bronze	Shrink	24	
5121-5	SP 125V, 10A	Gray	Carded	6	
5141-0	3-Way 125V, 6A or 250V, 3A	Gray	Shrink	8	
5141-5	3-Way 125V, 6A or 250V, 3A	Gray	Carded	6	
5128-0	SP 120-277VAC, 20A	Gray	Shrink	20	
5137-0	DP 120-277VAC, 20A	Gray	Shrink	20	
<b>Two-Gang Switch Covers – Device Mounted</b>					
5124-0	(2) SP 125V, 10A	Gray	Shrink	8	
5125-0	Cover only	Gray	Shrink	8	
5166-0	(1) SP 125V, 10A & (1) Duplex receptacle	Gray	Shrink	8	
5166-5	(1) SP 125V, 10A & (1) Duplex receptacle	Gray	Carded	4	
5167-0	2 Gang, Switch/GFCI Cover box mount	Gray	Shrink	8	
<b>Three-Gang Switch Cover – Device Mount</b>					
5126-0	(3) SP 125V, 10A	Gray	Boxed	1	
<b>Toggle Switch</b>					
5201-0	SP 125V, 10A Toggle switch	–	Polybag	10	

**DIE CAST LAMPHOLDER/CLUSTER COVERS**

**APPLICATIONS**

- For use with BELL® single-gang rectangular or round weather-proof boxes.
- Cluster covers provide an easy means of mounting BELL® lampholders and other accessories.

**PRODUCT FEATURES**

- Rugged die cast construction
- State-of-the-art powder coat finish provides maximum weatherability and scratch-resistance.
- Includes installation hardware, gasket and multi-lingual instructions
- Three-hole covers are supplied with two closure plugs.

**COMPLIANCES**

-  – Standard 514A
-  – Certified - C22.2 #18



5186-0 to  
5186-7



5189-0 to  
5189-7



5193-0 to  
5193-7



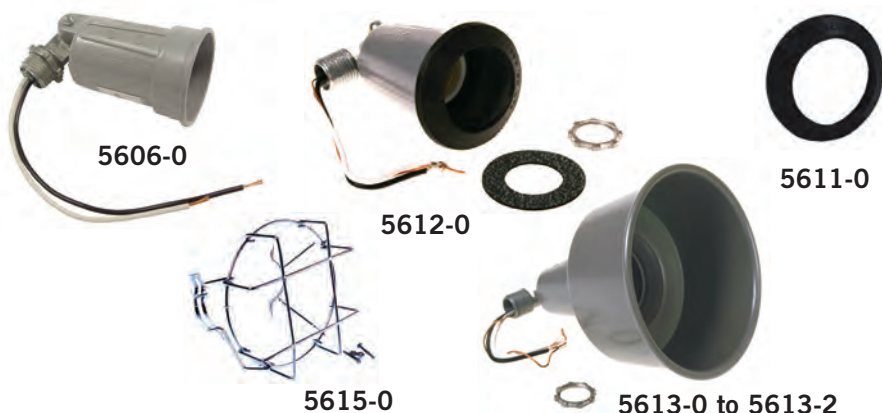
5197-0 to  
5197-7

CATALOG #	DESCRIPTION	COLOR	PKG. TYPE	STD. PKG.	BARCODE
<b>Rectangular Cluster Covers</b>					
5186-0	1-1/2" Outlet	Gray	Shrink	20	
5186-1	1-1/2" Outlet	White	Shrink	20	
5186-2	1-1/2" Outlet	Bronze	Shrink	20	
5186-5	1-1/2" Outlet	Gray	Carded	6	
5186-6	1-1/2" Outlet	White	Carded	6	
5186-7	1-1/2" Outlet	Bronze	Carded	6	
5189-0	3-1/2" Outlets	Gray	Shrink	20	
5189-1	3-1/2" Outlets	White	Shrink	20	
5189-2	3-1/2" Outlets	Bronze	Shrink	20	
5189-5	3-1/2" Outlets	Gray	Carded	6	
5189-6	3-1/2" Outlets	White	Carded	6	
5189-7	3-1/2" Outlets	Bronze	Carded	6	
<b>4" Round Cluster Covers</b>					
5193-0	1-1/2" Outlet	Gray	Shrink	20	
5193-1	1-1/2" Outlet	White	Shrink	20	
5193-2	1-1/2" Outlet	Bronze	Shrink	20	
5193-5	1-1/2" Outlet	Gray	Carded	6	
5193-6	1-1/2" Outlet	White	Carded	6	
5193-7	1-1/2" Outlet	Bronze	Carded	6	
5197-0	3-1/2" Outlets	Gray	Shrink	20	
5197-1	3-1/2" Outlets	White	Shrink	20	
5197-2	3-1/2" Outlets	Bronze	Shrink	20	
5197-5	3-1/2" Outlets	Gray	Carded	6	
5197-6	3-1/2" Outlets	White	Carded	6	
5197-7	3-1/2" Outlets	Bronze	Carded	6	



# PROOF

## DIE CAST LAMPHOLDERS



### APPLICATIONS

- For outdoor or indoor lighting use
- May be used with BELL® cluster covers and boxes.

### PRODUCT FEATURES

- Rugged metallic construction
- State-of-the-art powder coat finish provides maximum weatherability and scratch-resistance.
- Locking swivel knuckle assures positive lamp positioning and provides pin-point directional aiming.
- Extra long wire leads for easy hook-up
- Each lampholder supplied with a porcelain socket, inside gasket, 1/2" locknut and multi-lingual instructions.

### COMPLIANCES

- – Standard 1598
- – Certified C22.2 No. 18

CATALOG #	DESCRIPTION	COLOR	PKG. TYPE	STD. PKG.	BARCODE
<b>Lampholders and Accessories for 75-150 Watt Par 38 Lamps</b>					
5606-0	Lampholder	Gray	Shrink	30	
5606-1	Lampholder	White	Shrink	30	
5606-2	Lampholder	Bronze	Shrink	30	
5606-5	Lampholder	Gray	Carded	6	
5606-6	Lampholder	White	Carded	6	
5606-7	Lampholder	Bronze	Carded	6	
5612-0	Lampholder w/gasket	Gray	Shrink	30	
5611-0	Outer gasket only, replacement gasket for 5612-0	–	Polybag	15	
5615-0	Wire guard only	–	Shrink	5	
<b>Architectural Lampholders for 75-150 Watt Par 38 Lamps</b>					
5613-0	Lampholder	Gray	Shrink	4	
5613-1	Lampholder	White	Shrink	4	
5613-2	Lampholder	Bronze	Shrink	4	

## SWIVEL JOINT LAMPHOLDERS



### APPLICATIONS

- For general outdoor lighting use in wet, damp or dry locations.

### PRODUCT FEATURES

- Superior commercial quality die-cast metal construction
- Premium powdercoat finish
- LTS100 include porcelain sockets and external weatherproof gaskets are CFL compatible.
- LHS uses halogen bulb which compared to incandescent bulbs, last up to 3 times longer and produce almost 50% more light for the same amount of energy.
- Patented no-tool easy-mount feature
- Patented swivel joint for easy directional lighting.

### COMPLIANCES

- – File E310337
- 2014 NEC® compliant
- NEMA 3R Rated
- U.S. Patent 7,695,170

CATALOG #	DESCRIPTION	COLOR	PKG. TYPE	STD. PKG.	BARCODE
<b>Halogen Swivel Lampholder</b>					
LHS100S	75W Halogen Bulb Included (GY 8.6 TYPE 4)	Gray	Shrink	6	
LHS100W	75W Halogen Bulb Included (GY 8.6 TYPE 4)	White	Shrink	6	
LHS100Z	75W Halogen Bulb Included (GY 8.6 TYPE 4)	Bronze	Shrink	6	
<b>Traditional or CFL Swivel Lampholder</b>					
LTS100S	Uses Par 38 Bulb (150W Maximum, Not Included)	Gray	Shrink	10	
LTS100WH	Uses Par 38 Bulb (150W Maximum, Not Included)	White	Shrink	10	
LTS100Z	Uses Par 38 Bulb (150W Maximum, Not Included)	Bronze	Shrink	10	

METAL BULLET LAMPHOLDER AND PORTABLE LAMP HOLDERS

**APPLICATION**

- For general outdoor lighting use
- May be used with BELL® cluster covers and boxes.

**PRODUCT FEATURES**

- Rugged die cast
- Locking swivel knuckle
- Assure positive lamp positioning and provides pinpoint directional aiming
- Includes installation hardware and multilingual instructions

**COMPLIANCES**

- C  US



5820-8

CATALOG #	DESCRIPTION	COLOR	PKG. TYPE	STD. PKG.	BARCODE	
5820-8	Bullet Lampholders - for 75-150 Watt Par 38 and R-40 Lamps	Green	Lampholder	Boxed	2	

PORTABLE LAMP HOLDERS


**APPLICATIONS**

- For general outdoor lighting use in wet, damp or dry locations.

**PRODUCT FEATURES**

- Rugged die-cast construction
- State-of-the-art powder coat finish provides maximum weatherability and scratch-resistance.
- Locking swivel knuckle assures positive lamp positioning and provides pin-point directional aiming.
- SPLED2Z – Long Lasting Energy Efficient 6.5 Watts/350 Lumens

**COMPLIANCES**

-  – File E310318 (SL101B)
- 2014 NEC® compliant
- NEMA 3R rated



SL101B



SPLED2Z



5792-0

CATALOG #	DESCRIPTION	COLOR	PKG. TYPE	STD. PKG.	BARCODE
<b>Portable Spike Lights</b>					
SPLED2Z	LED Bulb Included (350 Lumens)	Bronze	Clamshell	4	
SL101B	Uses Par 38 Bulb (150W Maximum, Not Included)	Bronze	Clamshell	10	
5792-0	Spike, 6 ft. cord & plug	Gray	Polybag	12	

**DIE CAST LAMPHOLDER COMBINATIONS**



5620-0



5621-0 TO 5621-6



5624-0 TO 5624-6



5625-0 TO 5625-7



**APPLICATION**

- For use with BELL® single-gang rectangular or round weatherproof boxes.

**PRODUCT FEATURES**

- Rugged metallic construction
- State-of-the-art powder coat finish provides maximum weatherability and scratch-resistance.
- Each combination kit is a complete weatherproof installation – no need to purchase separate components.
- Includes installation hardware, gasket and multi-lingual instructions

**COMPLIANCES**

-  – File E225082
-  – Certified C22.2 No. 18

CATALOG #	DESCRIPTION	COLOR	PKG. TYPE	STD. PKG.	BARCODE
<b>Rectangular Cover – Combinations for 75-150 Watt Par 38 Lamps</b>					
5620-0	(1) Lampholder	Gray	Shrink	8	
5621-0	(2) Lampholders	Gray	Shrink	8	
5621-5	(2) Lampholders	Gray	Carded	4	
5621-6	(2) Lampholders	White	Carded	4	
<b>4" Round Cover – Combinations for 75-150 Watt Par 38 Lamps</b>					
5624-0	(1) Lampholder	Gray	Shrink	8	
5624-1	(1) Lampholder	White	Shrink	8	
5624-2	(1) Lampholder	Bronze	Shrink	8	
5624-5	(1) Lampholder	Gray	Carded	4	
5624-6	(1) Lampholder	White	Carded	4	
5625-0	(2) Lampholders	Gray	Shrink	8	
5625-1	(2) Lampholders	White	Shrink	8	
5625-2	(2) Lampholders	Bronze	Shrink	8	
5625-5	(2) Lampholders	Gray	Carded	4	
5625-6	(2) Lampholders	White	Carded	4	
5625-7	(2) Lampholders	Bronze	Carded	4	

LIGHT KITS

APPLICATION

- For general use in wet, damp or dry locations.

PRODUCT FEATURES

- Each kit is a complete weatherproof installation – no need to purchase separate components.
- Each kit includes easy-to-follow multi-lingual instructions.
- All kit components are described in the preceding pages.

COMPLIANCES

- 



5883-5 to 5883-6



5818-5 to 5818-6



5829-5 to 5829-6



5876-5 to 5876-6

CATALOG #	DESCRIPTION	COLOR	PKG. TYPE	STD. PKG.	BARCODE
<b>Rectangular Light Kits for 75-150 Watt Par 38 Lamps</b>					
5883-5	Box, cover, photocell & (2) lampholders	Gray	Boxed	4	
5883-6	Box, cover, photocell & (2) lampholders	White	Boxed	4	
5818-5	Box, cover & (2) lampholders	Gray	Boxed	4	
5818-6	Box, cover & (2) lampholders	White	Boxed	4	
<b>4" Round Light Kits for 75-150 Watt Par 38 Lamps</b>					
5829-5	Box, cover & (2) lampholders	Gray	Boxed	4	
5829-6	Box, cover & (2) lampholders	White	Boxed	4	
5841-5	Box, cover, photocell & (2) lampholders	Gray	Boxed	4	
5841-6	Box, cover, photocell & (2) lampholders	White	Boxed	4	
5876-5	Box, cover & (2) architectural lampholders	Gray	Boxed	4	
5876-6	Box, cover & (2) architectural lampholders	White	Boxed	4	
5876-7	Box, cover & (2) architectural lampholders	Bronze	Boxed	4	

# PROOF

## METALLIC GARDEN LIGHTS



5884-8



5893-8



5694-0



5695-0

### APPLICATION

- For accent lighting along walkways, driveways, terraces, porches and garden areas.

### PRODUCT FEATURES

- Rugged die cast construction
- State-of-the-art powder coat finish provides maximum weatherability and scratch-resistance.
- Includes screw-in clear glass globe, wire connectors, gasket, and multi-lingual instructions
- Three-tier lights accept 40W maximum lamps
- Four-tier lights accept 60W maximum lamps

### COMPLIANCES

- 

CATALOG #	DESCRIPTION	COLOR	PKG. TYPE	STD. PKG.	BARCODE
<b>Incandescent Type Threaded 1/2" Npt - 18" Leads</b>					
5884-8	3-Tier	Green	Box	2	
5893-8	4-Tier	Green	Box	2	
<b>Replacement Globes for Garden</b>					
5694-0	For 3-tier	Clear	Carton	4	
5695-0	For 4-tier	Clear	Carton	4	

PHOTOCELL

APPLICATION

- Used for darkness activated automatic control of night lighting from dusk to dawn. Switch may be used to control porch lights, garden lights, post lanterns, barn lights, loading dock lights, outdoor signs and the like.

PRODUCT FEATURES

- Durable weatherproof construction
- Built-in time delay prevents operation triggered by auto headlamps or other temporary light flashes.



5638-5



PE100

CATALOG #	DESCRIPTION	COLOR	PKG. TYPE	STD. PKG.	BARCODE
<b>Photoelectric Eye Switch</b>					
5638-5	Swivel Switch, locknut 2000W Tungsten 1800VA Ballast 120V 50-60HZ	Gray	Carded	6	
PE100	Outdoor Photoelectric Switch Rated 1000 Watts, Fits 1/2" Hole	Black	Poly Bag	20	

APPLICATION

- For use with BELL® weatherproof boxes, extension adapters, cluster covers and round splice boxes to seal off unused outlets.

PRODUCT FEATURE

- Gray closure plugs are zinc die cast
- White and bronze closure plugs are nonmetallic

COMPLIANCES

-  – File E195973

METAL CLOSURE PLUGS



5269-0 to 5269-10, 5270-0 to 5270-9, 5271-0

CATALOG #	DESCRIPTION	COLOR	PKG. TYPE	STD. PKG.	BARCODE
<b>Closure Plugs</b>					
5269-0	1/2" NPT	Gray	75 Polybags of 4	75 bags*	
5269-1	1/2" NPT	White	75 Polybags of 4	75 bags*	
5269-2	1/2" NPT	Bronze	75 Polybags of 4	75 bags*	
5269-5	1/2" NPT	Gray	12 Cards of 3	12 cards**	
5269-6	1/2" NPT	White	12 Cards of 3	12 cards**	
5269-7	1/2" NPT	Bronze	12 Cards of 3	12 cards**	
5269-9	1/2" NPT	Gray	Bulk	1000	–
5269-10	1/2" NPT	Bronze	Bulk	1000	–
5270-0	3/4" NPT	Gray	75 Polybags of 4	75 bags*	
5270-1	3/4" NPT	White	75 Polybags of 4	75 bags*	
5270-5	3/4" NPT	Gray	12 Cards of 3	12 cards**	
5270-9	3/4" NPT	Gray	Bulk	1000	–
5271-0	1" NPT	Gray	75 Polybags of 4	75 bags*	

\*Order in standard package bag quantities only – not per piece  
 \*\*Order in standard package card quantities only – not per piece

# PROOF

## BOX MOUNTING LUGS



5302-0

CATALOG #	DESCRIPTION	COLOR	PKG. TYPE	STD. PKG.	BARCODE
5302-0	Box Mounting Lugs & Screws	—	100 Polybags of 2	100	

## ROUND CLOSURE PLATES



5652-1



5653-1



5654-1

### APPLICATION

- Use in dry locations for closure of unused ceiling outlets.

### PRODUCT FEATURES

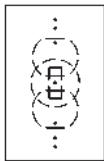
- Rugged metallic construction
- State-of-the-art powder coat paint finish provides a scratch-resistant surface.

### COMPLIANCES

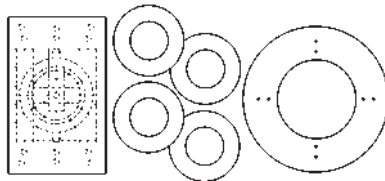
- – File E195978

CATALOG #	DESCRIPTION	COLOR	PKG. TYPE	STD. PKG.	BARCODE
<b>5" Round Closure Plates – Steel</b>					
5652-1	Screw & universal mount strap	Off White	Shrink	10	
5653-1	(2) 8 - 32 screws, direct mount to fixture outlet box	Off White	Shrink	10	
5654-1	Fixture stud & universal mount strap	Off White	Shrink	10	

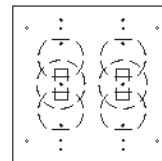
## REPLACEMENT GASKETS



5019-0



5017-0



5020-0

### APPLICATION

- Replacement gaskets for BELL® weatherproof covers and lampholders

### PRODUCT FEATURES

- Each gasket has cut outs for a toggle switch, duplex receptacle and 1.406" dia. round receptacle.
- Remove the cut outs for the duplex and round receptacles for a GFCI receptacle opening.

CATALOG #	DESCRIPTION	COLOR	PKG. TYPE	STD. PKG.	BARCODE
<b>Rectangular Box/Cover Gaskets</b>					
5019-0	1-Gang	Black	20 Cello bags of 2	20	
5020-0	2-Gang	Black	20 Cello bags of 2	20	
5017-0	1 Gang cover gasket, 4 Lampholder gaskets	Black	20 Cello bags	20	

NON-METALLIC BOXES

OUTLET BOXES

APPLICATIONS

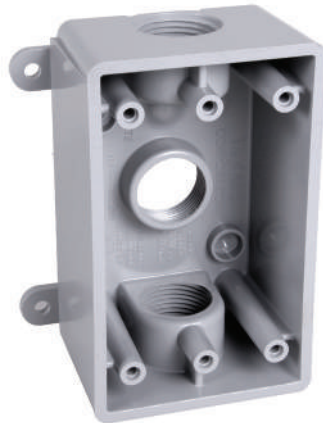
- For general use whenever weatherproof protection is required.

PRODUCT FEATURES

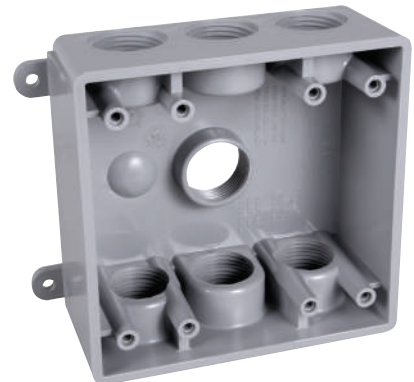
- Durable high impact PVC construction
- Can be used for 1/2" and 3/4" conduit
- Includes 3/4" closure plugs and reducer bushings

COMPLIANCES

- Marine  LISTED
- 2014 NEC® compliant
- NEMA 3R rated



PSB37550GY  
PSB37550WH



PDB77550GY  
PDB77550WH



PRB57550GY  
PRB57550WH

CATALOG #	DESCRIPTION	CU. IN. (CM <sup>3</sup> )	COLOR	PKG. TYPE	STD. PKG.	BARCODE
<b>1-Gang Outlet Boxes</b>						
PSB37550GY	Three 1/2" or 3/4" Holes 2.0" Depth	16.5 (270.4)	Gray	Shrink	8	
PSB37550WH	Three 1/2" or 3/4" Holes 2.0" Depth	16.5 (270.4)	White	Shrink	5	
<b>2-Gang Outlet Boxes</b>						
PDB77550GY	Seven 1/2" or 3/4" Holes 2.0" Depth	26.5 (270.4)	Gray	Shrink	6	
PDB77550WH	Seven 1/2" or 3/4" Holes 2.0" Depth	26.5 (434.3)	White	Shrink	6	
<b>Round Outlet Box</b>						
PRB57550GY	Five 1/2" / 3/4" Holes 1.125" Depth	13.5 (221.2)	Gray	Shrink	8	
PRB57550WH	Five 1/2" / 3/4" Holes 1.125" Depth	13.5 (221.2)	White	Shrink	8	



# PROOF

## NON-METALLIC COVERS

### BLANK COVERS



**PBC100GY  
PBC100WH**



**PBC200GY  
PBC200WH**



**PBC300GY  
PBC300WH**

#### APPLICATIONS

- For general use whenever weatherproof protection is required.

#### PRODUCT FEATURES

- Durable high impact polycarbonate construction
- Includes attached gasket and mounting hardware

#### COMPLIANCES

- LISTED
- 2014 NEC® compliant
- NEMA 3R rated

### RECEPTACLE COVERS

*Patented Horseshoe Adapter Ensures a Snug Fit for Small and Large Head Switches*



**PTC100GY  
PTC100WH**

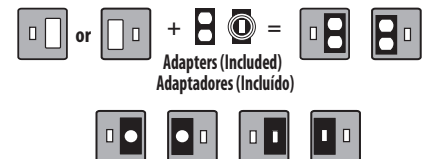


**PTC200GY**



**PTC521GY  
PTC521WH**

**8 IN 1  
CONFIGURATIONS**



CATALOG #	DESCRIPTION	COLOR	PKG. TYPE	STD. PKG.	BARCODE
<b>Blank Covers</b>					
PBC100GY	Blank	Gray	Shrink	12	
PBC100WH	Blank	White	Shrink	12	
PBC200GY	Blank 2-Gang	Gray	Shrink	10	
PBC200WH	Blank 2-Gang	White	Shrink	10	
PBC300GY	Blank Round	Gray	Shrink	10	
PBC300WH	Blank Round	White	Shrink	10	
<b>1-Gang Device Covers</b>					
PTC100GY	Toggle	Gray	Shrink	8	
PTC100WH	Toggle	White	Shrink	8	
<b>2-Gang Device Covers</b>					
PTC200GY	Toggle/Toggle	Gray	Shrink	4	
PTC521GY	Toggle/GFCI	Gray	Shrink	4	
PTC521WH	Toggle/GFCI	White	Shrink	4	

LAMP HOLDERS

APPLICATIONS

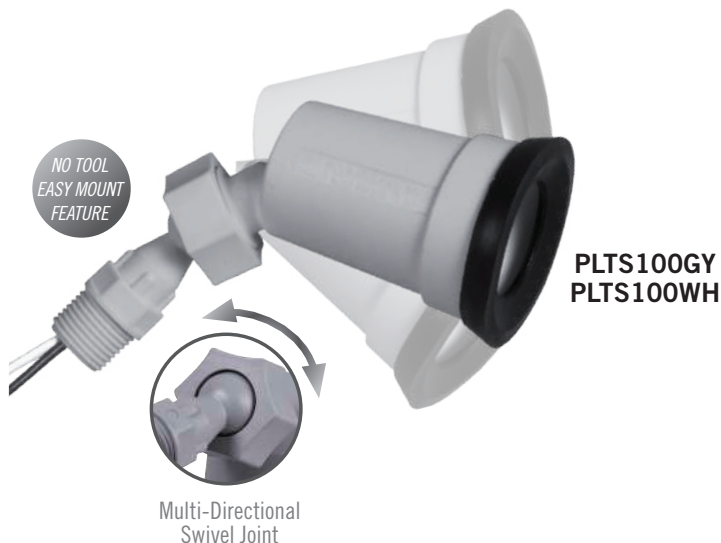
- For general outdoor lighting use in wet, damp or dry locations.

PRODUCT FEATURES

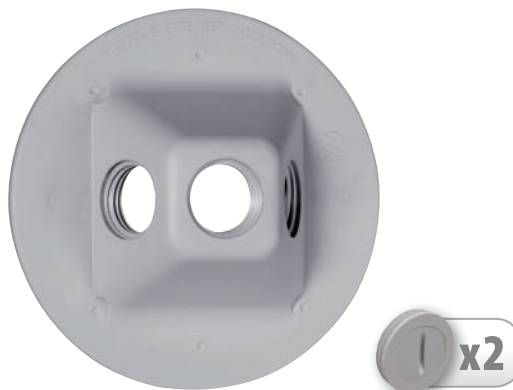
- Durable high impact PBT construction
- Includes attached gasket and mounting hardware

COMPLIANCES

-  LISTED
- 2014 NEC® compliant
- NEMA 3R rated

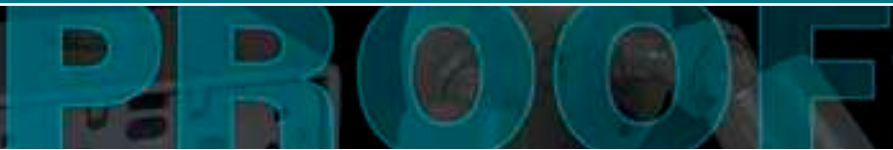


LAMP HOLDER COVERS



PLV330GY, PLV330WH

CATALOG #	DESCRIPTION	COLOR	PKG. TYPE	STD. PKG.	BARCODE
<b>Lampholders</b>					
PLTS100GY	Swivel Lampholder	Gray	Shrink	12	
PLTS100WH	Swivel Lampholder	White	Shrink	12	
<b>Lampholder Covers</b>					
PLV330GY	Three 1/2" Holes	Gray	Shrink	8	
PLV330WH	Three 1/2" Holes	White	Shrink	8	



NON-METALLIC CLOSURE PLUGS



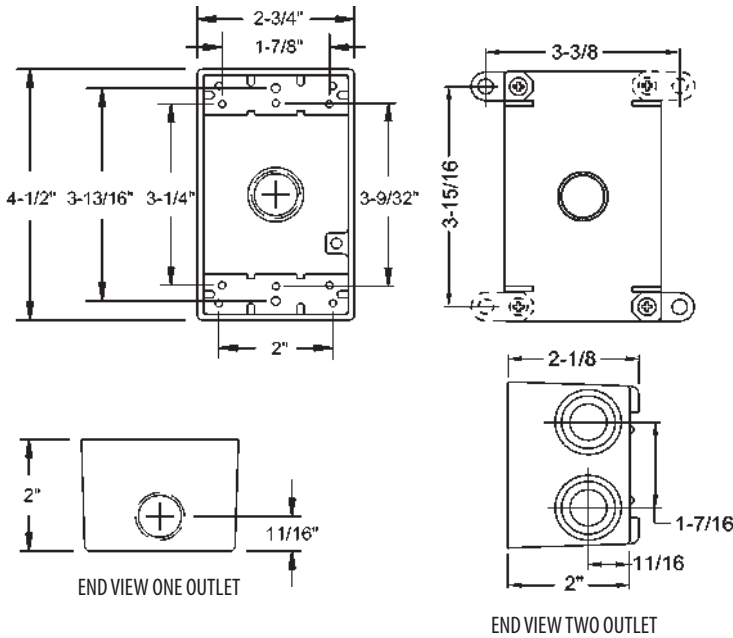
PCP47550GY  
PCP47550WH

CATALOG #	DESCRIPTION	COLOR	PKG. TYPE	STD. PKG.	BARCODE
<b>Closure Plug Assortment (Pack of 4)</b>					
PCP47550GY	Two 1/2", Two 3/4"	Gray	Poly Bag	30	
PCP47550WH	Two 1/2", Two 3/4"	White	Poly Bag	30	

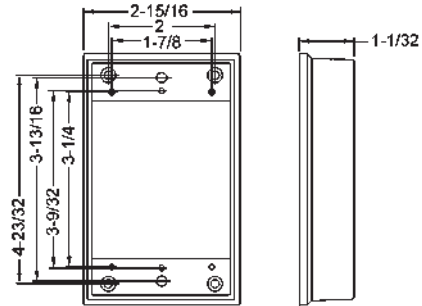
DETAILED DRAWINGS

DIE CAST ALUMINUM BOXES AND EXTENSION RINGS

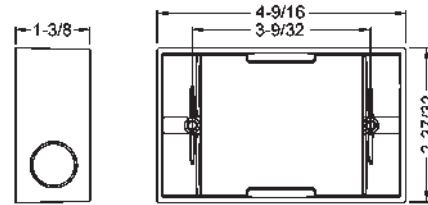
SINGLE-GANG BOXES (General Dimensions)



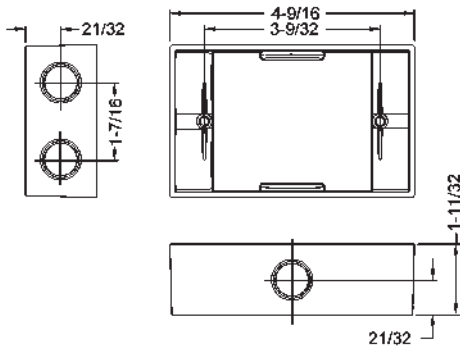
EXTENSIONS: 5406-0



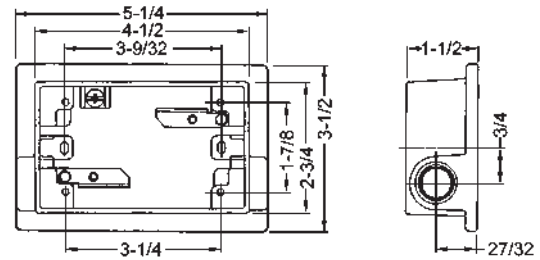
EXTENSIONS: 5399-0, 5403-0



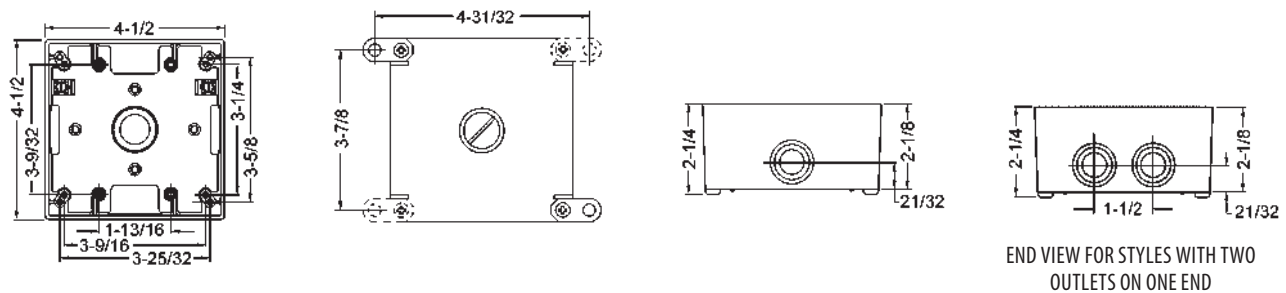
EXTENSIONS: 5400-0 SERIES



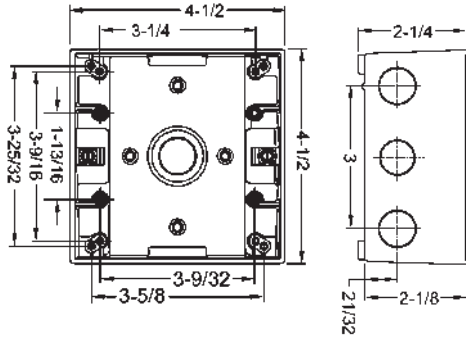
SWING ARM EXTENSION ADAPTERS: 5412-0 TO 5415-0



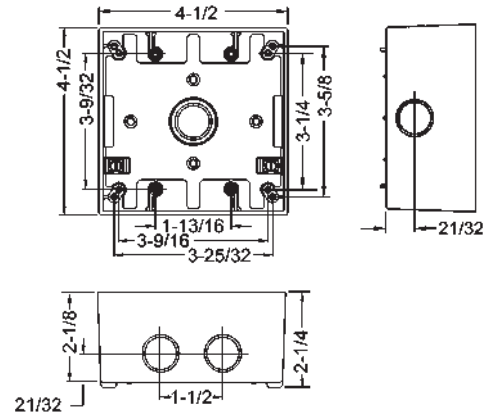
TWO-GANG BOXES (General Dimensions)



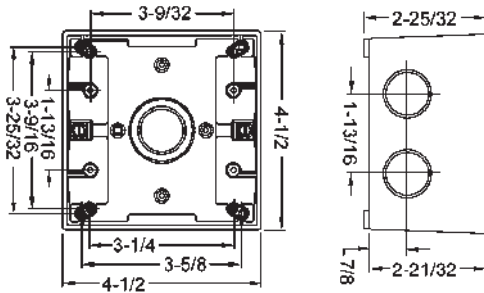
**TWO-GANG BOXES WITH 7 OUTLETS**  
 CAT. NOS. 5340-0, 5348-0



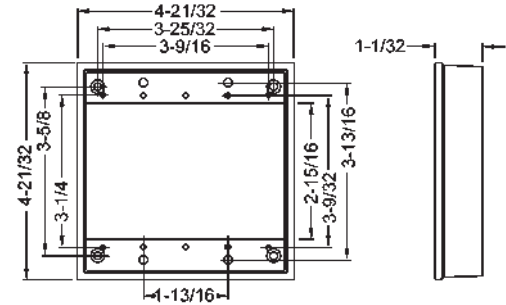
**CAT. NOS. 5338-0, 5346-0**



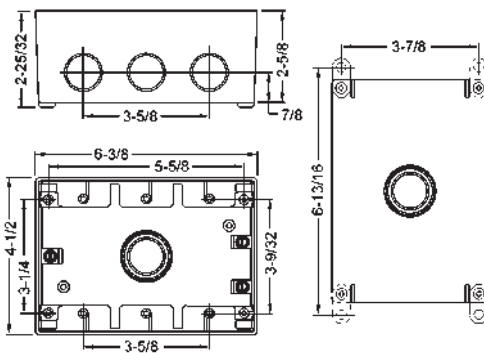
**TWO-GANG BOXES WITH 5 OUTLETS**  
 CAT. NOS. 5388-0, 5389-0



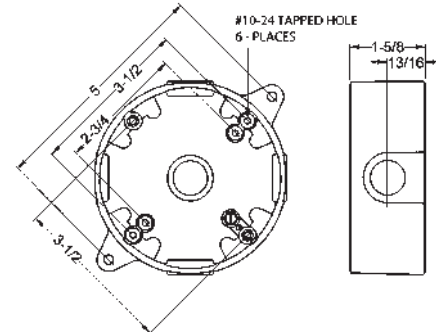
**TWO-GANG EXTENSION**



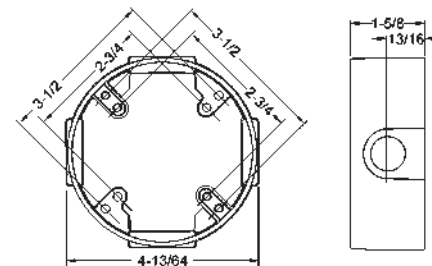
**THREE-GANG BOX**



**4" ROUND SPLICE BOXES**

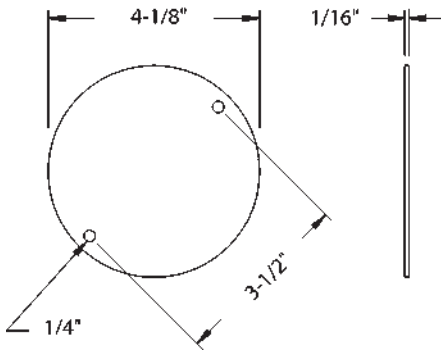


**4" ROUND EXTENSION ADAPTERS**



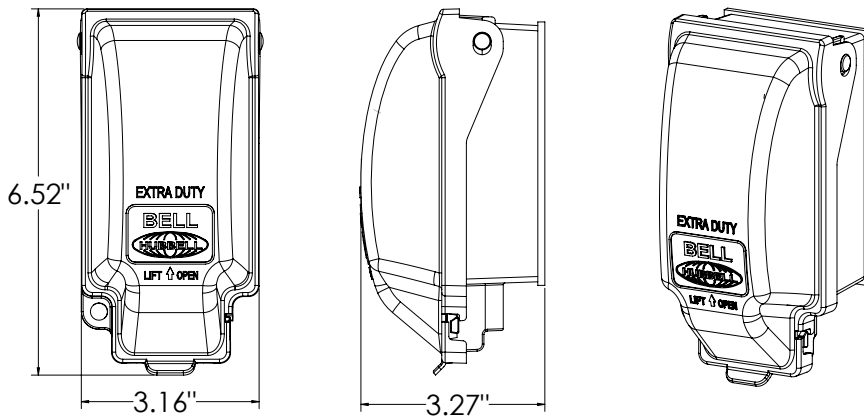
METALLIC ROUND BOX COVER

4" ROUND COVER

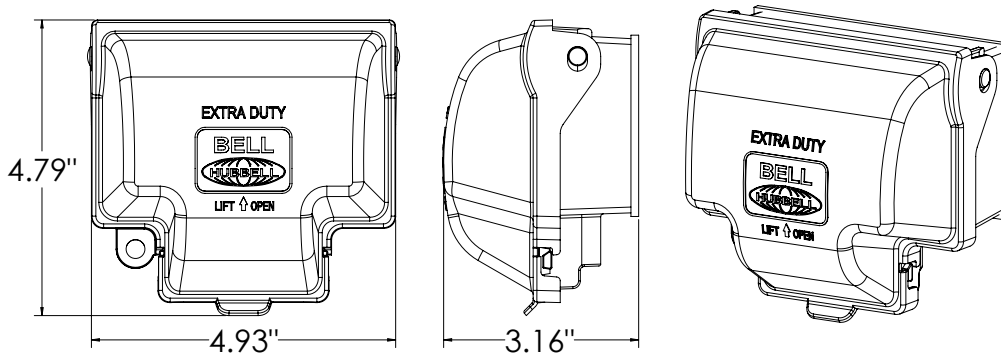


RAYNGUARD WHILE-IN-USE METALLIC COVERS

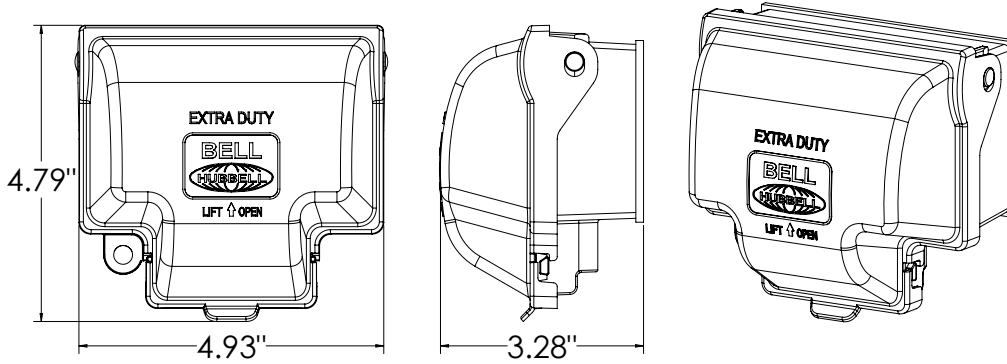
5881-0, 5852-0



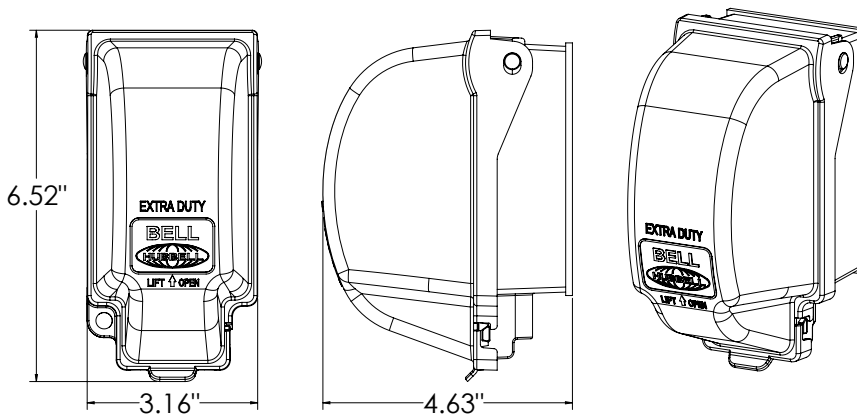
5802-0



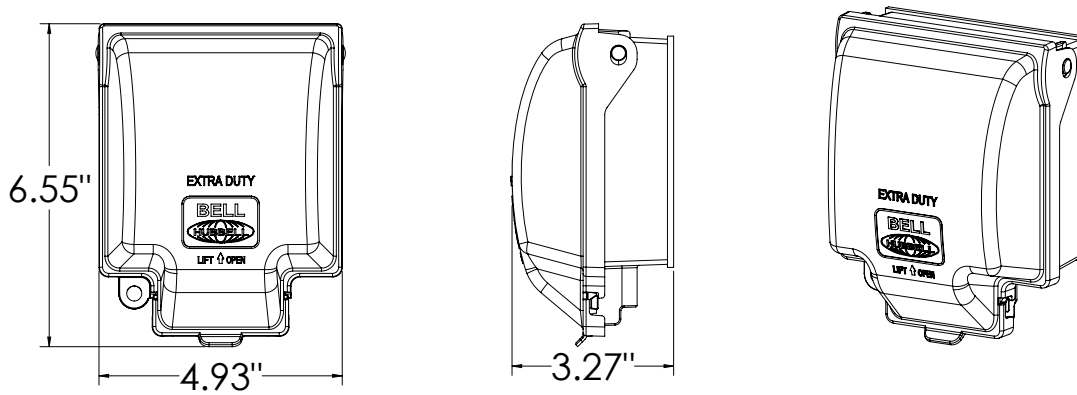
5861-0



5830-0

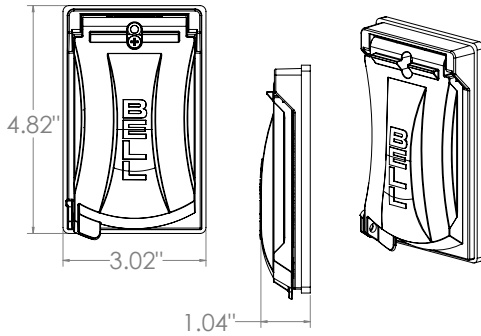


5885-0, 5880-0, 5876-0

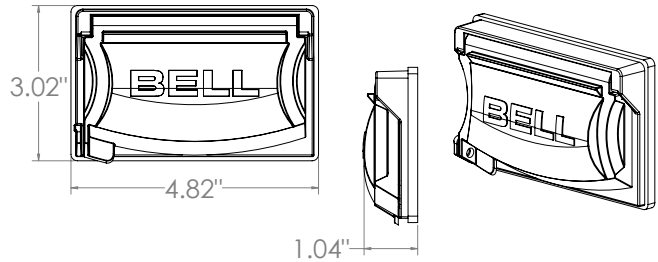


METALLIC SINGLE-GANG DEVICE COVERS

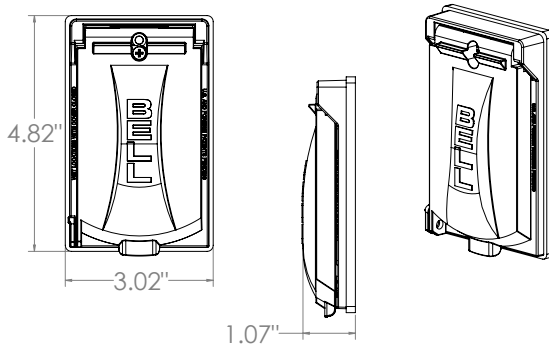
MX1050



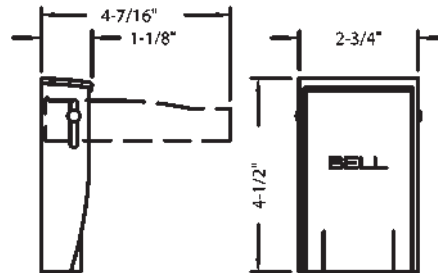
MX1250



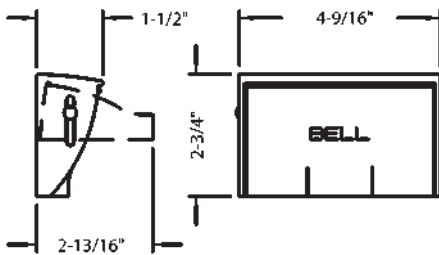
MX1550



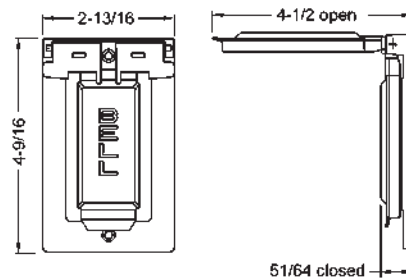
RAYTITE® SINGLE-GANG DEVICE COVERS – VERTICAL



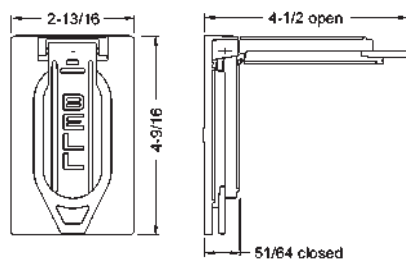
RAYTITE® SINGLE-GANG DEVICE COVERS – HORIZONTAL



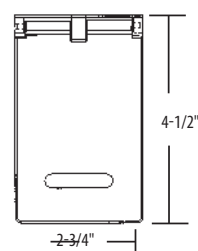
GFCI STYLE COVERS



DUPLEX STYLE COVER

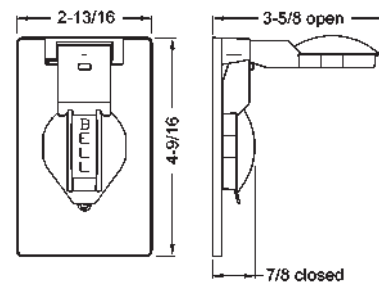


CAT. NO. 5104-0, 5147-0



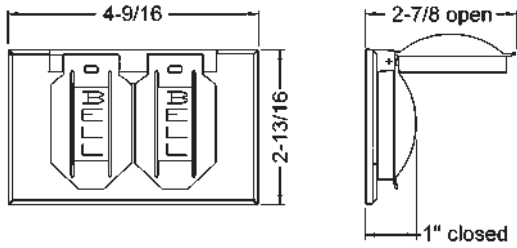
SINGLE RECEPTACLE STYLE COVERS

Note: device-mount and box-mount cover dimensions are the same

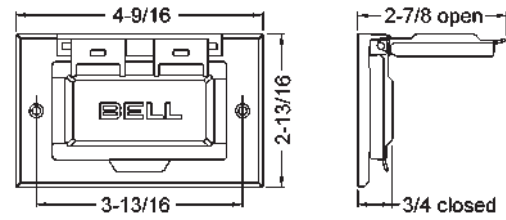




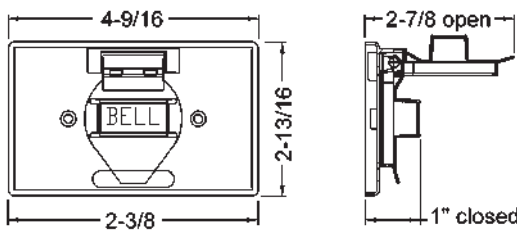
CAT. NOS. 5180-0 SERIES, 5712-5, 5094-0



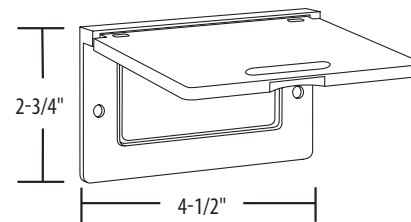
CAT. NO. 5101-0 series



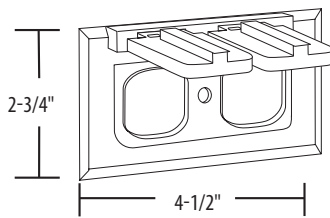
CAT. NO. 5152-0



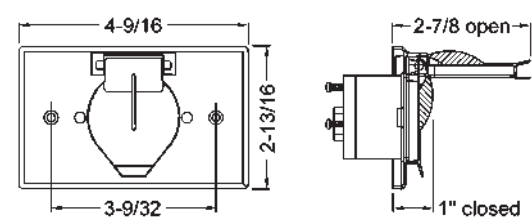
CAT. NO. 5102-0



CAT. NO. 5181-0

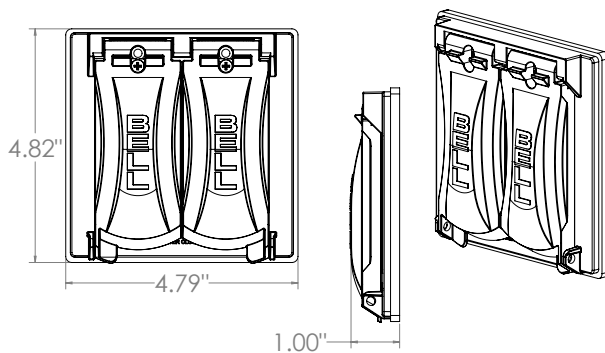


CAT. NO. 5153-0

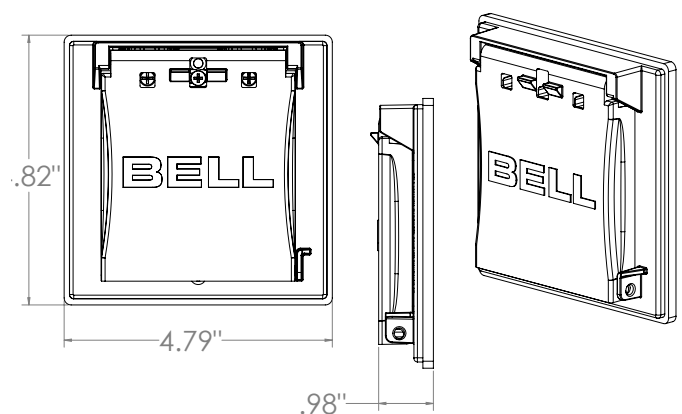


METALLIC TWO-GANG DEVICE COVERS

MX2050

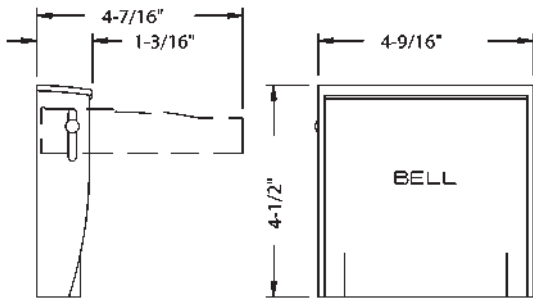


MX2150

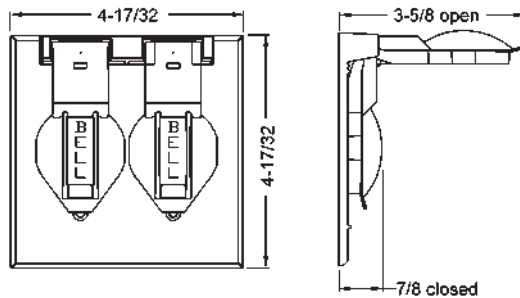


METALLIC TWO-GANG DEVICE COVERS

RAYNTITE®



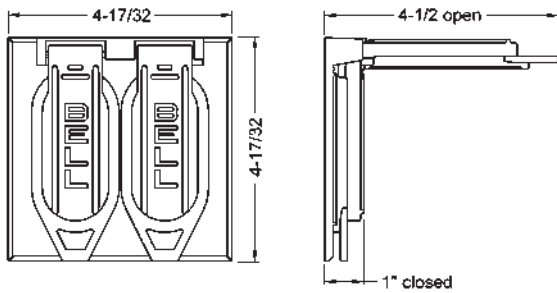
5157-0, 5092-0



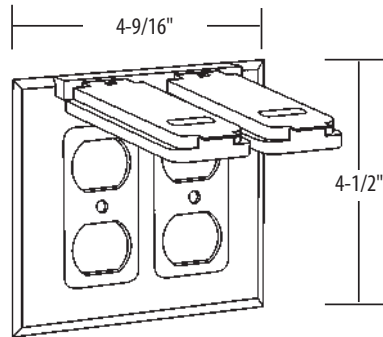
Note: Dimensions are the same for device mount and box mount styles shown. 5157-0 SERIES, 5092-0

TWO-GANG DEVICE COVERS

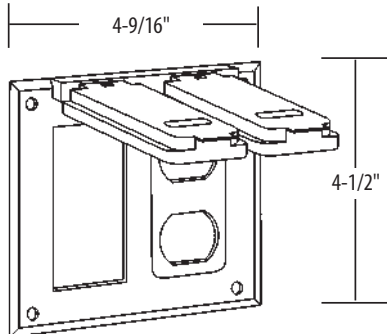
5148-0 SERIES, 5096-0, 5160-0, 5098-0



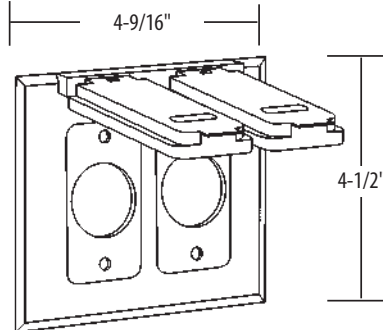
5132-0



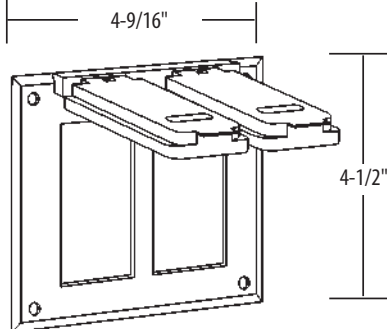
5133-0



5138-0

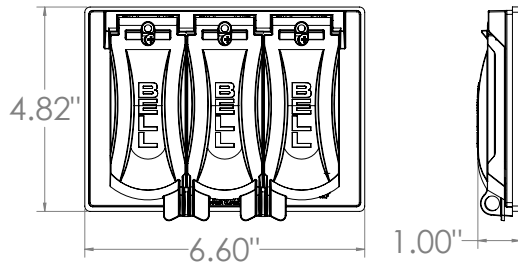


5145-0

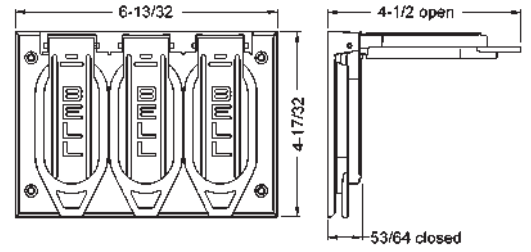


THREE-GANG DEVICE COVERS

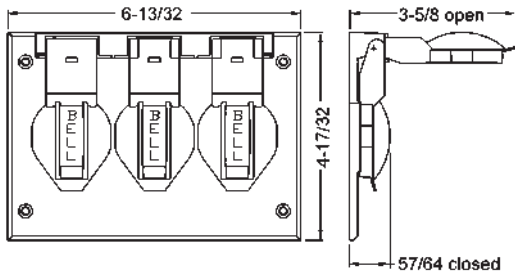
**MX3050**



**5097-0**

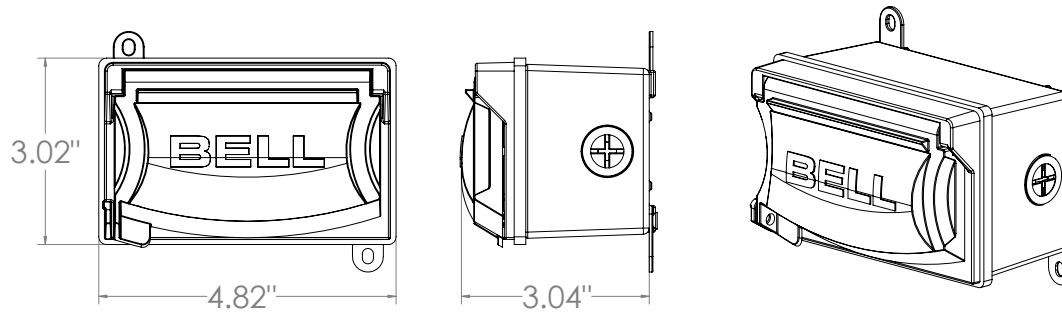


**5093-0**



METALLIC COMPLETE COVER KITS

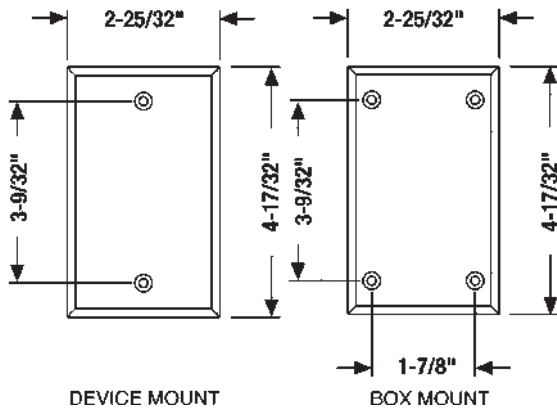
**MK1250**



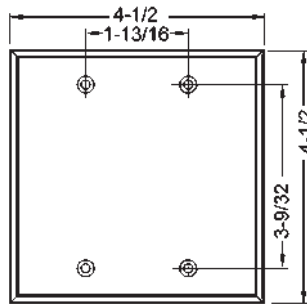
DETAILED DRAWINGS

METALLIC BLANK COVERS

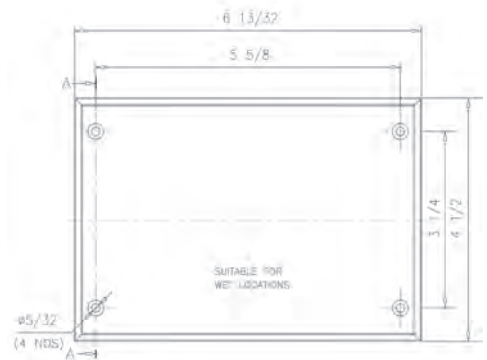
SINGLE-GANG BLANK COVERS



TWO-GANG

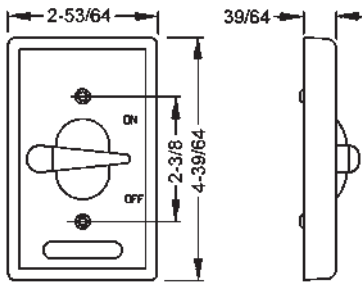


THREE-GANG

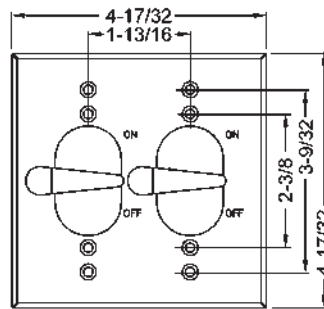


METALLIC TOGGLE SWITCH COVERS

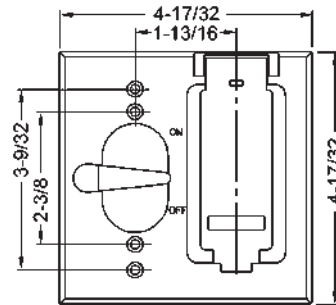
SINGLE-GANG  
5121 SERIES  
5141 SERIES  
CAT. NOS. 5128-0, 5137-0



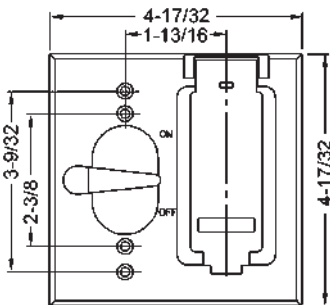
TWO-GANG  
CAT. NO. 5124-0, 5125 SERIES



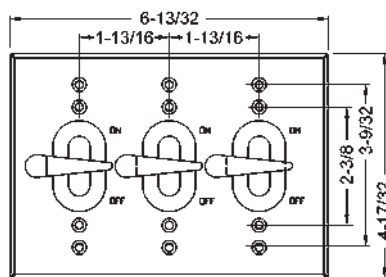
TWO-GANG 5167 SERIES



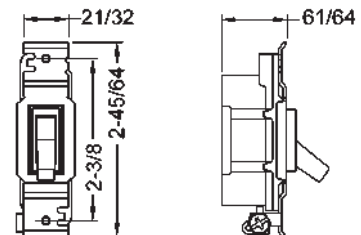
TWO-GANG 5166 SERIES

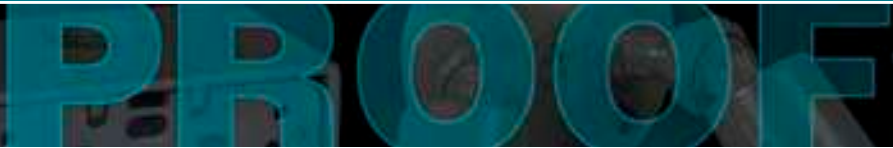


THREE-GANG  
CATALOG NO. 5126-0



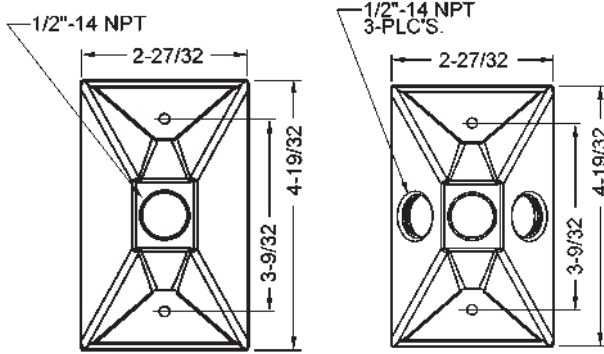
TOGGLE SWITCH  
CATALOG NOS. 5201-0



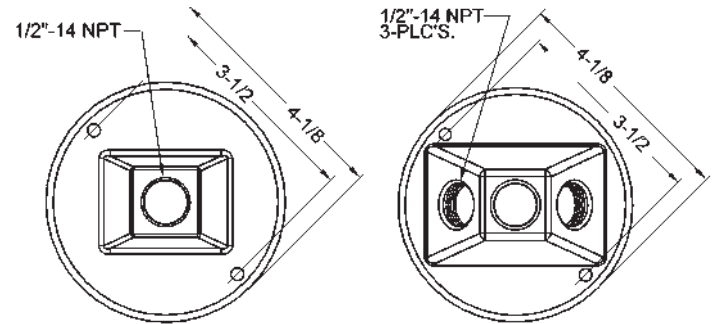


METALLIC LAMPHOLDER COVERS

RECTANGULAR CLUSTER COVERS  
5186 SERIES, 5189 SERIES

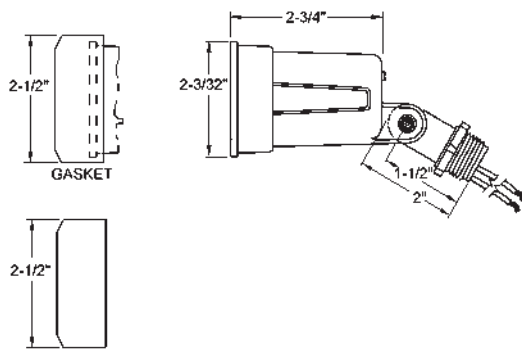


ROUND CLUSTER COVERS  
5193 SERIES, 5197 SERIES

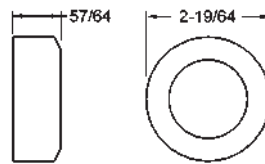


METALLIC LAMPHOLDERS

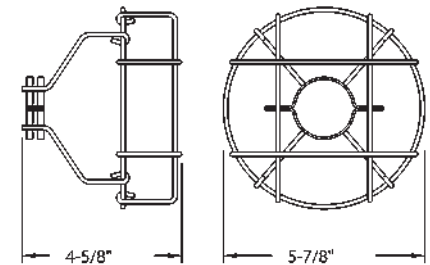
LAMPHOLDERS  
5606 SERIES, 5612-0



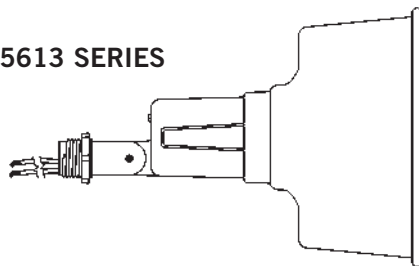
CATALOG NO. 5611-0



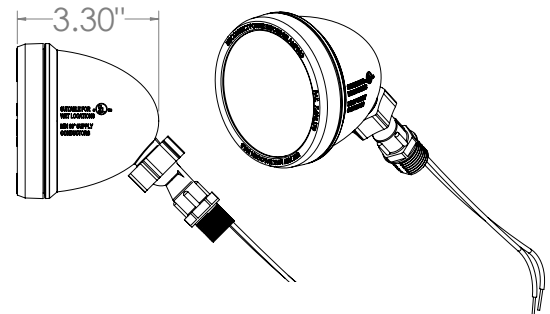
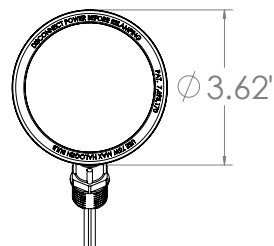
CATALOG NO. 5615-0



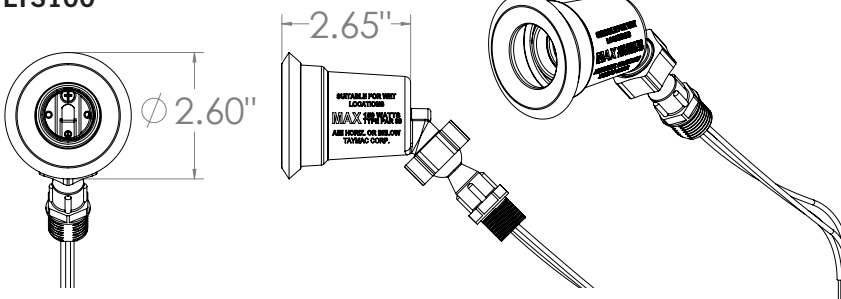
5613 SERIES



LHS100

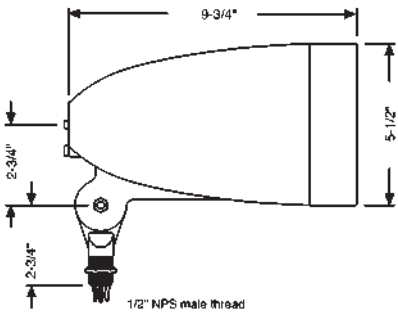


LTS100

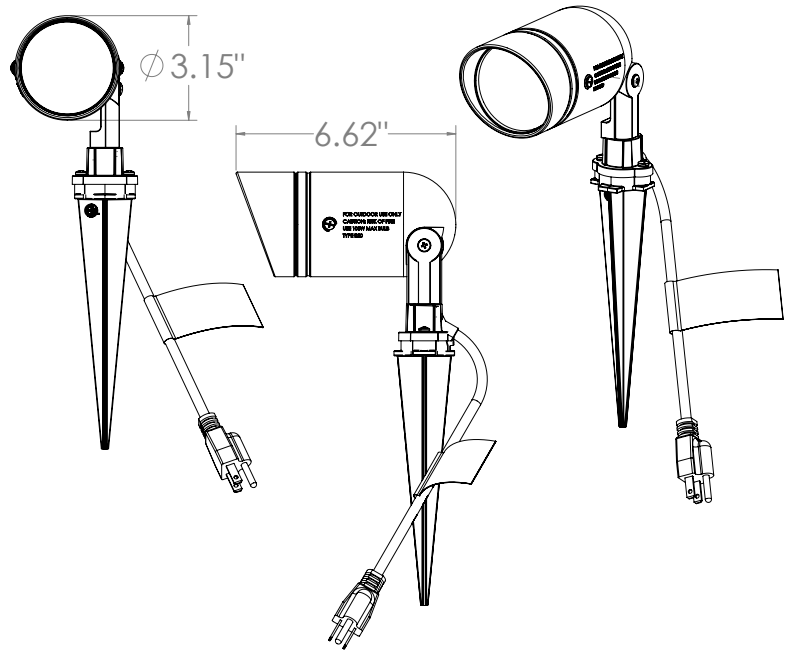


METALLIC BULLET LIGHT AND PORTABLE LAMPHOLDERS

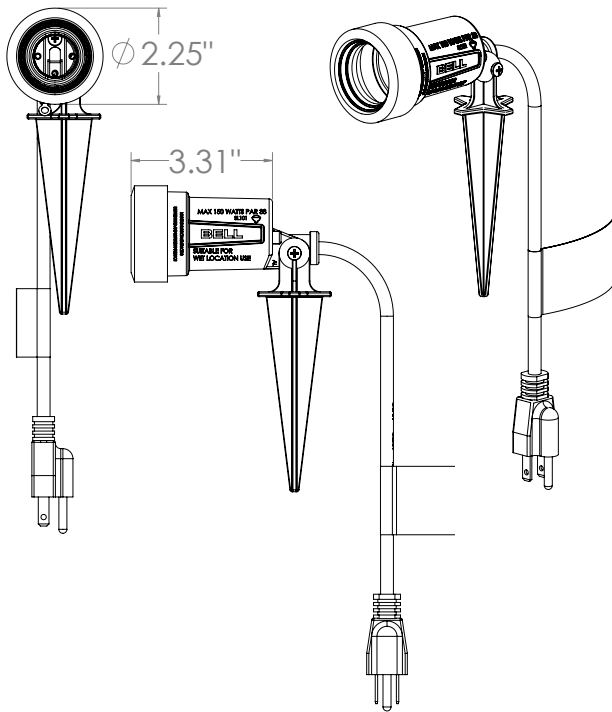
BULLET LAMPHOLDER ASSEMBLY 5820-8



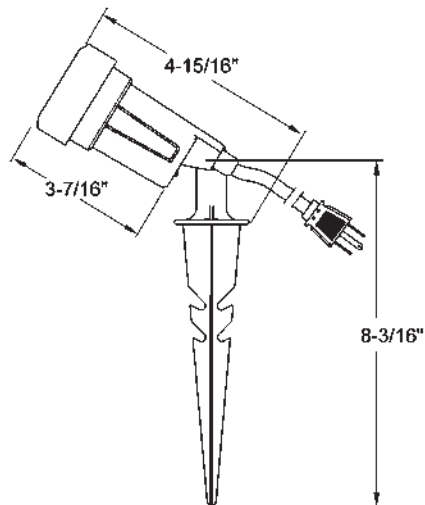
SPLED2Z



SL101B



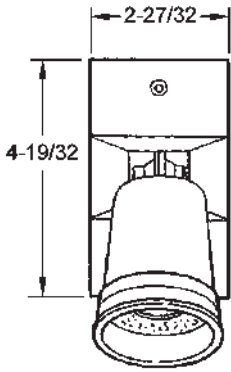
PORTABLE LAMPHOLDER ASSEMBLY 5792-0



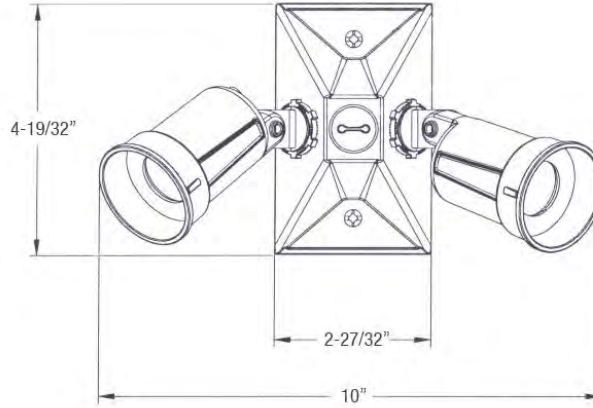
# PROOF

## METALLIC LAMPHOLDER COMBINATIONS AND GARDEN LIGHT

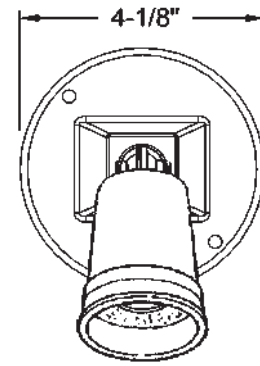
5620 SERIES



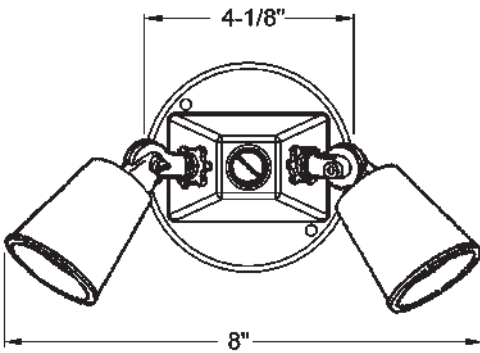
5621 SERIES



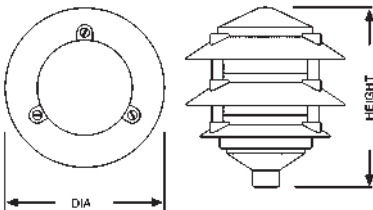
5624 SERIES



5625 SERIES

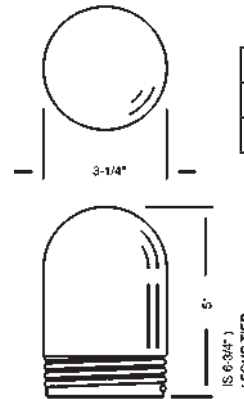


5884-8, 5893-8



CATALOG #	DIA.	HEIGHT
5884-8	6"	7"
5893-8	6"	8-3/4"

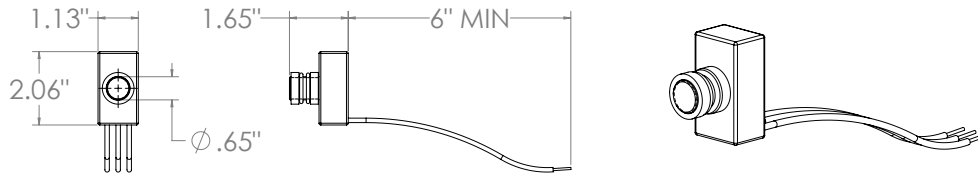
REPLACEMENT GLOBE: 5694-0, 5695-0



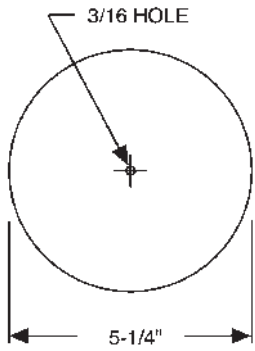
CATALOG #	DIA.	HEIGHT
5694-0	3-1/4"	5"
5695-0	3-1/4"	6-3/4"

ACCESSORIES

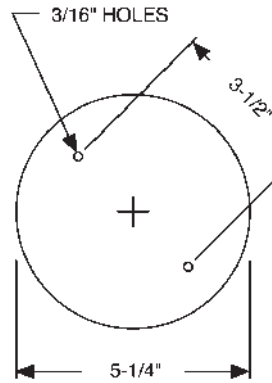
PE100



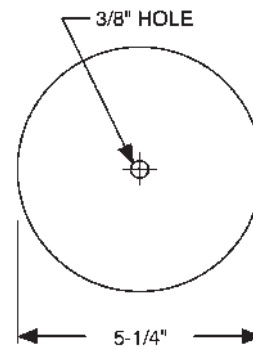
ROUND CLOSURE PLATES  
CATALOG NO. 5652-1



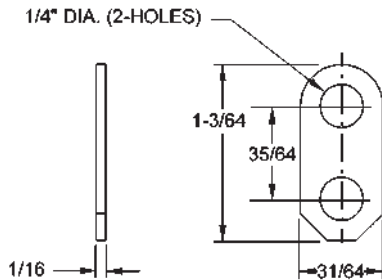
CATALOG NO. 5653-1



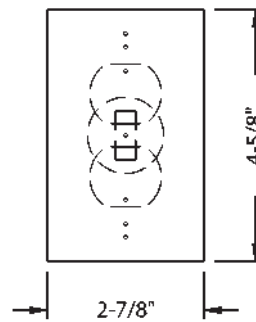
CATALOG NO. 5654-1



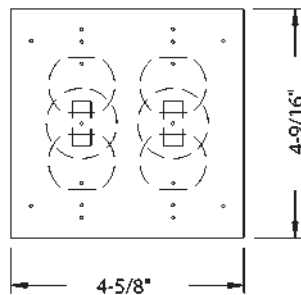
BOX MOUNTING LUG  
CATALOG NO. 5302-0



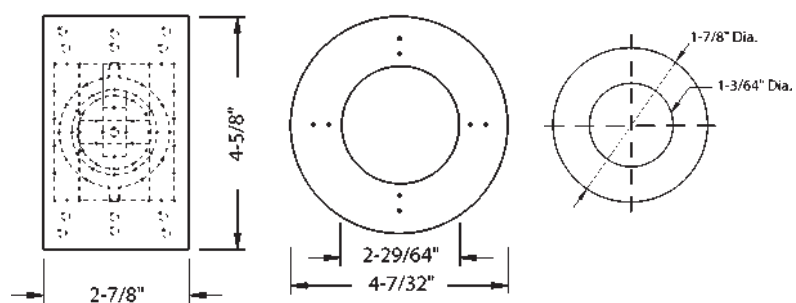
GASKET: CATALOG NO. 5019-0



GASKET: CATALOG NO. 5020-0



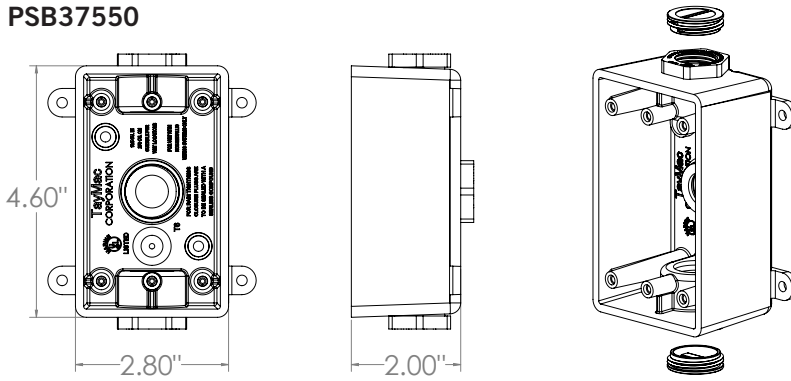
GASKETS: CATALOG NO. 5017-0



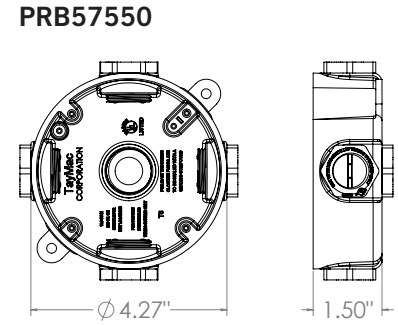


NON-METALLIC BOXES

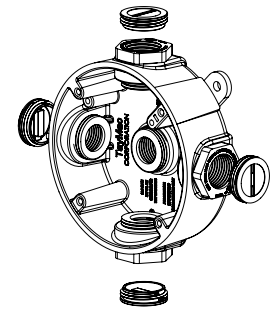
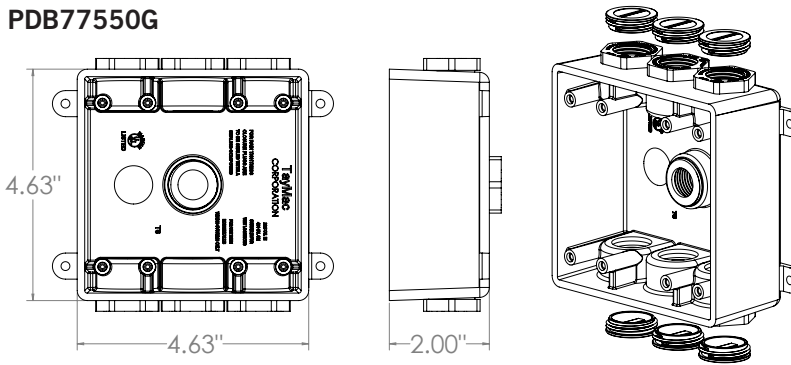
PSB37550



PRB57550

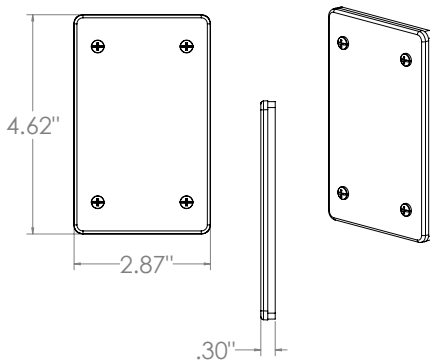


PDB77550G

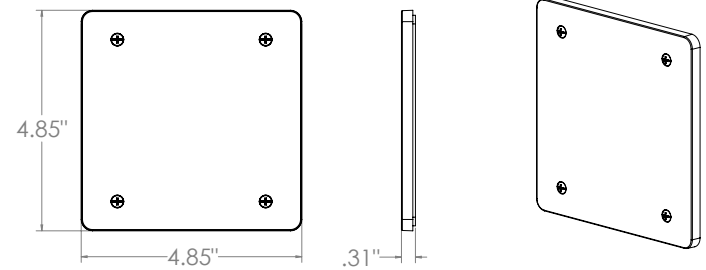


NON-METALLIC COVERS

PBC100

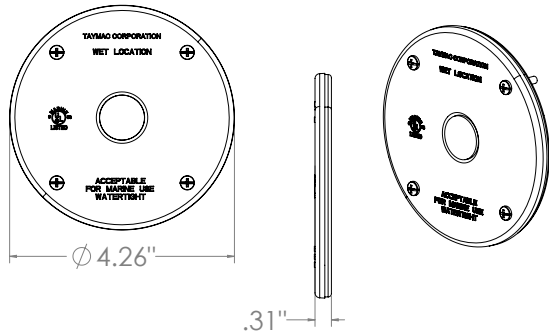


PBC200

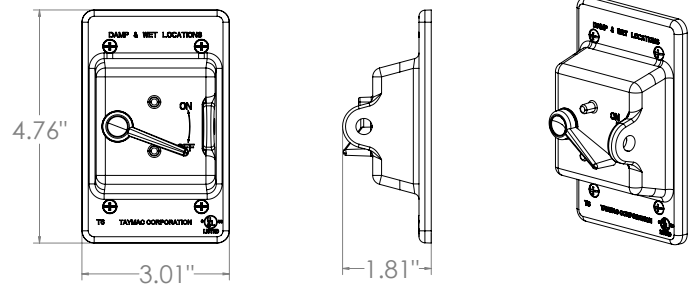


NON-METALLIC COVERS

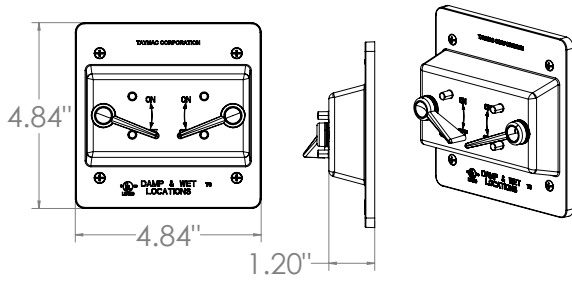
PBC300



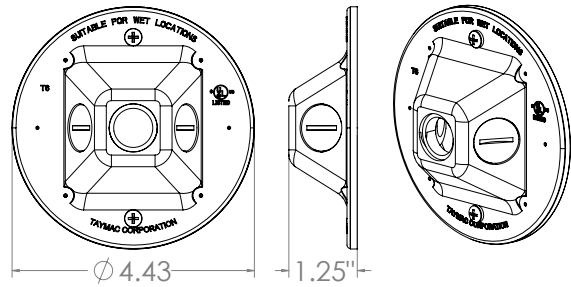
PTC100



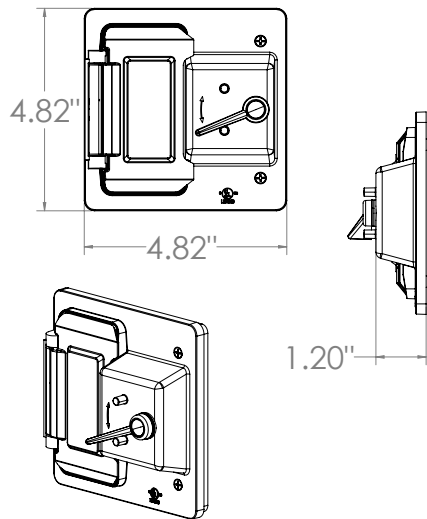
PTC200

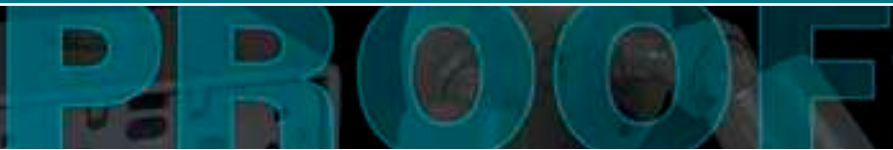


PLV330



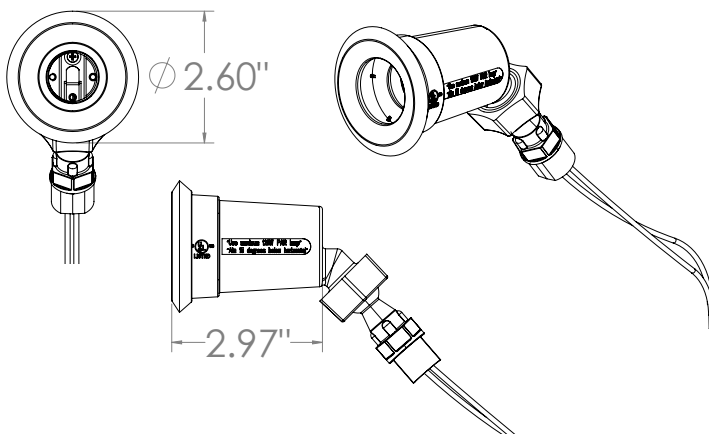
PTC521





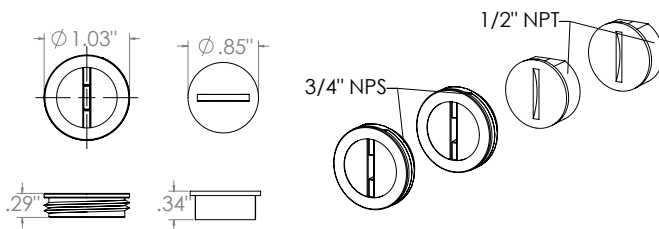
NON-METALLIC LIGHTING

PLTS100



NON-METALLIC ACCESSORIES

PCP47550



**HUBBELL® TAYMAC® WALLPLATES AND HVAC**



**METAL WALLPLATE REFERENCE**

**APPLICATIONS**

- For use in home, commercial and industrial settings for enhanced durability and appearance.

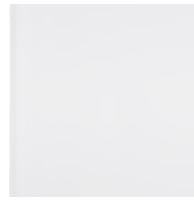
**PRODUCT FEATURES**

- Metal wallplates have a beauty, weight and feel that plastic can't replicate.
- Easily primed and painted to match or complement walls
- Solid sound compared to thin, hollow resonance of economy plastic plates
- Durable – won't crack, peel or discolor over time
- Won't bow, crack or distort during installation
- Premium North American Powder Coat
- Includes screw(s) in matching finish

**COMPLIANCES**

-  LISTED

**TEXTURES**



**W**  
Smooth White



**TW**  
Textured White



**SS**  
430 Stainless Steel



**I**  
Smooth Ivory

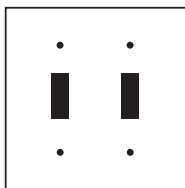


**TI**  
Textured Ivory

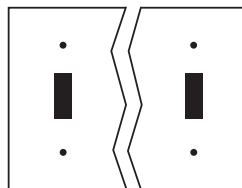
**CONFIGURATIONS**



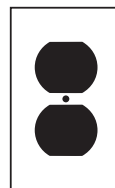
**T**  
Toggle



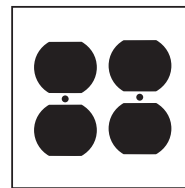
**TT**  
2-Toggle



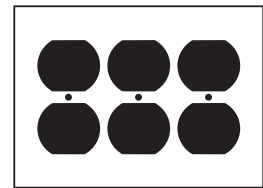
**TTT, TTTT, 5T, 6T**  
3-, 4-, 5-, 6-Toggle



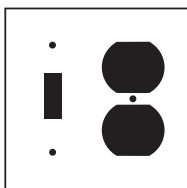
**D**  
Duplex



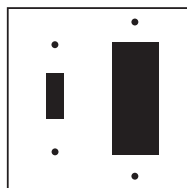
**DD**  
2-Duplex



**DDD**  
3-Duplex



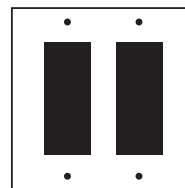
**TD**  
Toggle Duplex



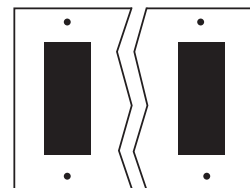
**TR**  
Toggle  
Decorator/Rocker



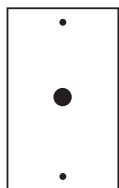
**R**  
Decorator/Rocker



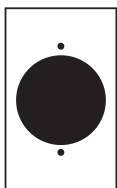
**RR**  
2-Decorator/Rocker



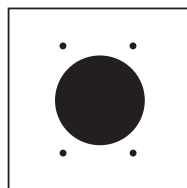
**RRR, RRRR, 5R, 6R**  
3-, 4-, 5-, 6-Decorator/Rocker



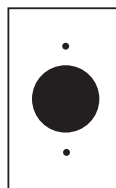
**C**  
Cable



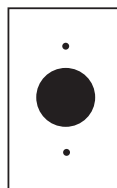
**1-2**  
Single Receptacle  
2.15"



**2-2**  
2-Gang Single Receptacle  
2.15"



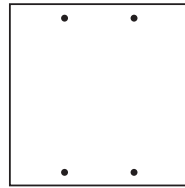
**SR1**  
Single Receptacle  
1.6"



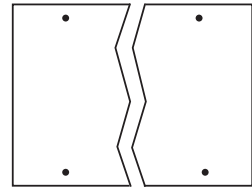
**SR2**  
Single Receptacle  
1.4"



**B**  
Blank



**BB**  
2-Blank



**BBB, BBBB**  
3-, 4-Blank

STANDARD METAL WALLPLATES – WHITE SMOOTH



WW-T WW-TT WW-TTT WW-TTTT WW-TD WW-TR WW-DR



WW-R WW-RR WW-RRR WW-RRRR WW-D WW-DD WW-DDD



WW-B WW-BB WW-BBB WW-BBBB WW-C WW-SR2 WW-SR1 WW1-2 WW2-2

CATALOG #	DESCRIPTION	COLOR	PKG. TYPE	STD. PKG.	BARCODE
<b>Standard Metal Wallplate: White Smooth</b>					
WW-T	Toggle	White Smooth	Polybag	25	
WW-TT	2-Toggle	White Smooth	Polybag	10	
WW-TTT	3-Toggle	White Smooth	Polybag	10	
WW-TTTT	4-Toggle	White Smooth	Polybag	10	
WW-R	Decorator/Rocker	White Smooth	Polybag	25	
WW-RR	2-Decorator/Rocker	White Smooth	Polybag	10	
WW-RRR	3-Decorator/Rocker	White Smooth	Polybag	10	
WW-RRRR	4-Decorator/Rocker	White Smooth	Polybag	10	
WW-D	Duplex	White Smooth	Polybag	25	
WW-DD	2-Duplex	White Smooth	Polybag	10	
WW-DDD	3-Duplex	White Smooth	Polybag	10	
WW-B	Blank	White Smooth	Polybag	25	
WW-BB	2-Blank	White Smooth	Polybag	10	
WW-BBB	3-Blank	White Smooth	Polybag	10	
WW-BBBB	4-Blank	White Smooth	Polybag	10	
WW-SR1	Single Receptacle 1.6"	White Smooth	Polybag	25	
WW-SR2	Single Receptacle 1.4"	White Smooth	Polybag	25	
WW1-2	Single Receptacle 2.15"	White Smooth	Polybag	25	
WW2-2	2-Gang Receptacle 2.15"	White Smooth	Polybag	10	
WW-C	Communication 0.40"	White Smooth	Polybag	25	
WW-TR	Toggle Decorator/Rocker	White Smooth	Polybag	10	
WW-DR	Duplex Decorator/Rocker	White Smooth	Polybag	10	
WW-TD	Toggle Duplex	White Smooth	Polybag	10	

STANDARD METAL WALLPLATES – WHITE TEXTURED



CATALOG #	DESCRIPTION	COLOR	PKG. TYPE	STD. PKG.	BARCODE
<b>Standard Metal Wallplate: White Textured</b>					
WTW-T	Toggle	White Textured	Polybag	25	
WTW-TT	2-Toggle	White Textured	Polybag	10	
WTW-TTT	3-Toggle	White Textured	Polybag	10	
WTW-R	Decorator/Rocker	White Textured	Polybag	25	
WTW-RR	2-Decorator/Rocker	White Textured	Polybag	10	
WTW-RRR	3-Decorator/Rocker	White Textured	Polybag	10	
WTW-D	Duplex	White Textured	Polybag	25	
WTW-DD	2-Duplex	White Textured	Polybag	10	
WTW-B	Blank	White Textured	Polybag	25	
WTW-BB	2-Blank	White Textured	Polybag	10	
WTW-TR	Toggle Decorator/Rocker	White Textured	Polybag	10	
WTW-TD	Toggle Duplex	White Textured	Polybag	10	
LPB3325	5" Round (Fits 3.25" Box)	White Textured	Polybag	20	
LPB3400	5" Round (Fits 4" Box)	White Textured	Polybag	20	

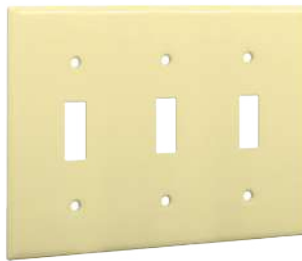
STANDARD METAL WALLPLATES – IVORY SMOOTH



WI-T



WI-TT



WI-TTT



WI-D



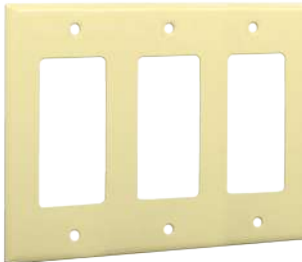
WI-DD



WI-R



WI-RR



WI-RRR



WI-B



WI-BB



WI-TD



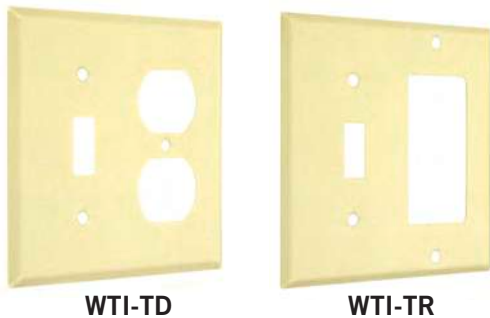
WI-TR

CATALOG #	DESCRIPTION	COLOR	PKG. TYPE	STD. PKG.	BARCODE
<b>Metal Wallplate: Ivory Smooth</b>					
WI-T	Toggle	Ivory Smooth	Polybag	25	
WI-TT	2-Toggle	Ivory Smooth	Polybag	10	
WI-TTT	3-Toggle	Ivory Smooth	Polybag	10	
WI-R	Decorator/Rocker	Ivory Smooth	Polybag	25	
WI-RR	2-Decorator/Rocker	Ivory Smooth	Polybag	10	
WI-RRR	3-Decorator/Rocker	Ivory Smooth	Polybag	10	
WI-D	Duplex	Ivory Smooth	Polybag	25	
WI-DD	2-Duplex	Ivory Smooth	Polybag	10	
WI-B	Blank	Ivory Smooth	Polybag	25	
WI-BB	2-Blank	Ivory Smooth	Polybag	10	
WI-TD	Toggle Duplex	Ivory Smooth	Polybag	10	
WI-TR	Toggle Decorator/Rocker	Ivory Smooth	Polybag	10	



STANDARD METAL WALLPLATES – IVORY TEXTURED / RED SMOOTH

IVORY TEXTURED



RED SMOOTH



CATALOG #	DESCRIPTION	COLOR	PKG. TYPE	STD. PKG.	BARCODE
<b>Metal Wallplate: Ivory Textured</b>					
WTI-T	Toggle	Ivory Textured	Polybag	25	
WTI-TT	2-Toggle	Ivory Textured	Polybag	10	
WTI-TTT	3-Toggle Rocker	Ivory Textured	Polybag	10	
WTI-R	Decorator/Rocker	Ivory Textured	Polybag	25	
WTI-RR	2-Decorator/Rocker	Ivory Textured	Polybag	10	
WTI-RRR	3-Decorator/Rocker	Ivory Textured	Polybag	10	
WTI-D	Duplex	Ivory Textured	Polybag	25	
WTI-DD	2-Duplex	Ivory Textured	Polybag	10	
WTI-B	Blank	Ivory Textured	Polybag	25	
WTI-BB	2-Blank	Ivory Textured	Polybag	10	
WTI-TR	Toggle Decorator/Rocker	Ivory Textured	Polybag	10	
WTI-TD	Toggle Duplex	Ivory Textured	Polybag	10	
<b>Standard Metal Wallplate: Red Smooth</b>					
WE-T	Emergency Toggle	Red	Polybag	25	
WO-T	Oil Toggle	Red	Polybag	25	
WG-T	Gas Toggle	Red	Polybag	25	

STANDARD METAL WALLPLATES – STAINLESS STEEL



WSS-R



WSS-RR



WSS-RRR



WSS-RRRR



WSS-TR



WSS-TD



WSS-T



WSS-TT



WSS-TTT



WSS-TTTT



WSS-D



WSS-DD



WSS1-2



WSS2-2



WSS-SR1



WSS-SR2



WSS-C

CATALOG #	DESCRIPTION	COLOR	PKG. TYPE	STD. PKG.	BARCODE
<b>Stainless Steel* Wallplate</b>					
WSS-T	Toggle	Stainless Steel	Polybag	10	
WSS-TT	2-Toggle	Stainless Steel	Polybag	10	
WSS-TTT	3-Toggle	Stainless Steel	Polybag	10	
WSS-TTTT	4-Toggle	Stainless Steel	Polybag	10	
WSS-R	Decorator/Rocker	Stainless Steel	Polybag	10	
WSS-RR	2-Decorator/Rocker	Stainless Steel	Polybag	10	
WSS-RRR	3-Decorator/Rocker	Stainless Steel	Polybag	10	
WSS-RRRR	4-Decorator/Rocker	Stainless Steel	Polybag	10	
WSS-D	Duplex	Stainless Steel	Polybag	10	
WSS-DD	2-Duplex	Stainless Steel	Polybag	10	
WSS1-2	Receptacle 2.15" Hole	Stainless Steel	Polybag	10	
WSS2-2	2-Gang Receptacle 2.15" Hole	Stainless Steel	Polybag	10	
WSS-SR1	Receptacle 1.6" Hole	Stainless Steel	Polybag	10	
WSS-SR2	Receptacle 1.4" Hole	Stainless Steel	Polybag	10	
WSS-C	Communication	Stainless Steel	Polybag	10	
WSS-B	Blank	Stainless Steel	Polybag	10	
WSS-BB	2-Blank	Stainless Steel	Polybag	10	
WSS-TD	Toggle Duplex	Stainless Steel	Polybag	10	
WSS-TR	Toggle Decorator/Rocker	Stainless Steel	Polybag	10	



WSS-B



WSS-BB

\* 430 Stainless Steel

MAXI/PRINCESS METAL WALLPLATES – WHITE SMOOTH

PRINCESS



MAXI



MAXI / PRINCESS



CATALOG #	DESCRIPTION	COLOR	PKG. TYPE	STD. PKG.	BARCODE
<b>Princess Metal Wallplate: White Smooth</b>					
WRW-T	Toggle	White Smooth	Polybag	25	
WRW-R	Decorator/Rocker	White Smooth	Polybag	25	
WRW-D	Duplex	White Smooth	Polybag	25	
WRW-B	Blank	White Smooth	Polybag	25	
WRW-SR2	Receptacle 1.40" Hole	White Smooth	Polybag	25	
<b>Maxi Metal Wallplate: White Smooth</b>					
WMW-T	Toggle	White Smooth	Polybag	25	
WMW-R	Decorator/Rocker	White Smooth	Polybag	25	
WMW-D	Duplex	White Smooth	Polybag	25	
WMW-B	Blank	White Smooth	Polybag	25	
<b>Maxi/Princess Metal Wallplate: White Smooth</b>					
WRW-TT	2-Toggle	White Smooth	Polybag	10	
WRW-TTT	3-Toggle	White Smooth	Polybag	10	
WRW-TTTT	4-Toggle	White Smooth	Polybag	10	
WRW-5T	5-Toggle	White Smooth	Polybag	10	
WRW-6T	6-Toggle	White Smooth	Polybag	10	
WRW-RR	2-Decorator/Rocker	White Smooth	Polybag	10	
WRW-RRR	3-Decorator/Rocker	White Smooth	Polybag	10	
WRW-RRRR	4-Decorator/Rocker	White Smooth	Polybag	10	
WRW-5R	5-Decorator/Rocker	White Smooth	Polybag	10	
WRW-6R	6-Decorator/Rocker	White Smooth	Polybag	10	

MAXI/PRINCESS METAL WALLPLATES – WHITE SMOOTH

MAXI / PRINCESS



WRW-DD



WRW-DDD



WRW-BB



WRW-BBB



WRW-BBBB



WRW2-2



WRW-DB



WRW-DR



WRW-TD



WRW-TR



WRW-TB



WRW-TTR



WRW-TTD



WRW-TTDD

CATALOG #	DESCRIPTION	COLOR	PKG. TYPE	STD. PKG.	BARCODE
<b>Maxi/Princess Metal Wallplate: White Smooth</b>					
WRW-DD	2-Duplex	White Smooth	Polybag	10	
WRW-DDD	3-Duplex	White Smooth	Polybag	10	
WRW-BB	2-Blank	White Smooth	Polybag	10	
WRW-BBB	3-Blank	White Smooth	Polybag	10	
WRW-BBBB	4-Blank	White Smooth	Polybag	10	
WRW2-2	2-Gang Single Outlet 2.15"	White Smooth	Polybag	10	
WRW-DB	2-Gang Duplex Blank	White Smooth	Polybag	10	
WRW-DR	Duplex Decorator/Rocker	White Smooth	Polybag	10	
WRW-TD	Toggle Duplex	White Smooth	Polybag	10	
WRW-TR	Toggle Decorator/Rocker	White Smooth	Polybag	10	
WRW-TB	Toggle Blank	White Smooth	Polybag	10	
WRW-TTD	2-Toggle Duplex	White Smooth	Polybag	10	
WRW-TTDD	3-Toggle Duplex	White Smooth	Polybag	10	
WRW-TTR	2-Toggle Rocker	White Smooth	Polybag	10	

MAXI/PRINCESS METAL WALLPLATES – WHITE TEXTURED

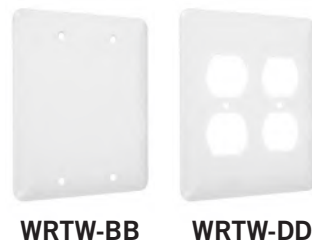
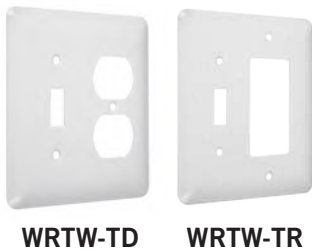
PRINCESS



MAXI



MAXI / PRINCESS



CATALOG #	DESCRIPTION	COLOR	PKG. TYPE	STD. PKG.	BARCODE
<b>Princess Metal Wallplate: White Textured</b>					
WRTW-T	Toggle	White Textured	Polybag	25	
WRTW-R	Decorator/Rocker	White Textured	Polybag	25	
WRTW-D	Duplex	White Textured	Polybag	25	
WRTW-B	Blank	White Textured	Polybag	25	
<b>Maxi Metal Wallplate: White Textured</b>					
WMTW-T	Toggle	White Textured	Polybag	25	
WMTW-R	Decorator/Rocker	White Textured	Polybag	25	
WMTW-D	Duplex	White Textured	Polybag	25	
WMTW-B	Blank	White Textured	Polybag	25	
<b>Maxi/Princess Metal Wallplate: White Textured</b>					
WRTW-TT	2-Toggle	White Textured	Polybag	20	
WRTW-TTT	3-Toggle	White Textured	Polybag	10	
WRTW-TTTT	4-Toggle	White Textured	Polybag	10	
WRTW-5T	5-Toggle	White Textured	Polybag	10	
WRTW-6T	6-Toggle	White Textured	Polybag	10	
WRTW-RR	2-Decorator/Rocker	White Textured	Polybag	20	
WRTW-RRR	3-Decorator/Rocker	White Textured	Polybag	10	
WRTW-RRRR	4-Decorator/Rocker	White Textured	Polybag	10	
WRTW-5R	5-Decorator/Rocker	White Textured	Polybag	10	
WRTW-6R	6-Decorator/Rocker	White Textured	Polybag	10	
WRTW-DD	2-Duplex	White Textured	Polybag	20	
WRTW-BB	2-Blank	White Textured	Polybag	10	
WRTW-TD	Toggle Duplex	White Textured	Polybag	20	
WRTW-TR	Toggle Decorator/Rocker	White Textured	Polybag	20	

MAXI/PRINCESS METAL WALLPLATES – IVORY SMOOTH

PRINCESS



WRI-B WRI-T WRI-R WRI-D

MAXI



WMI-B WMI-D WMI-R WMI-T

MAXI / PRINCESS



WRI-RR WRI-RRR WRI-TT WRI-TTT



WRI2-2 WRI-BB WRI-TR WRI-TD WRI-DD

CATALOG #	DESCRIPTION	COLOR	PKG. TYPE	STD. PKG.	BARCODE
<b>Princess Metal Wallplate: Ivory Smooth</b>					
WRI-T	Toggle	Ivory Smooth	Polybag	25	
WRI-B	Blank	Ivory Smooth	Polybag	25	
WRI-R	Decorator/Rocker	Ivory Smooth	Polybag	25	
WRI-D	Duplex	Ivory Smooth	Polybag	25	
<b>Maxi Metal Wallplate: Ivory Smooth</b>					
WMI-T	Toggle	Ivory Smooth	Polybag	25	
WMI-R	Decorator/Rocker	Ivory Smooth	Polybag	25	
WMI-D	Duplex	Ivory Smooth	Polybag	25	
WMI-B	Blank	Ivory Smooth	Polybag	25	
<b>Maxi/Princess Metal Wallplate: Ivory Smooth</b>					
WRI-TT	2-Toggle	Ivory Smooth	Polybag	10	
WRI-TTT	3-Toggle	Ivory Smooth	Polybag	10	
WRI-RR	2-Decorator/Rocker	Ivory Smooth	Polybag	10	
WRI-RRR	3-Decorator/Rocker	Ivory Smooth	Polybag	10	
WRI-DD	2-Duplex	Ivory Smooth	Polybag	10	
WRI-BB	2-Blank	Ivory Smooth	Polybag	10	
WRI2-2	2-Gang Single Outlet 2.15"	Ivory Smooth	Polybag	10	
WRI-TD	Toggle Duplex	Ivory Smooth	Polybag	10	
WRI-TR	Toggle Decorator/Rocker	Ivory Smooth	Polybag	10	

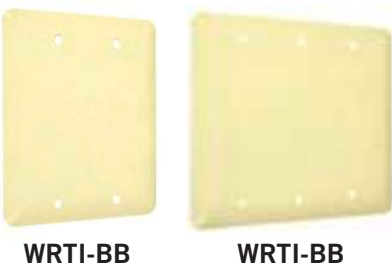
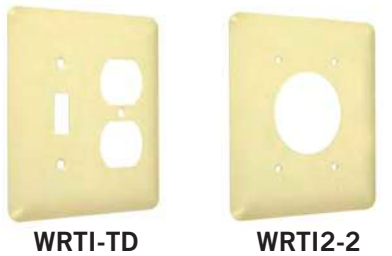
MAXI/PRINCESS METAL WALLPLATES – IVORY TEXTURED

PRINCESS

MAXI



MAXI / PRINCESS



CATALOG #	DESCRIPTION	COLOR	PKG. TYPE	STD. PKG.	BARCODE
<b>Princess Metal Wallplate: Ivory Textured</b>					
WRTI-T	Toggle	Ivory Textured	Polybag	25	
WRTI-B	Blank	Ivory Textured	Polybag	25	
WRTI-R	Decorator/Rocker	Ivory Textured	Polybag	25	
WRTI-D	Duplex	Ivory Textured	Polybag	25	
<b>Maxi Metal Wallplate: Ivory Textured</b>					
WMTI-T	Toggle	Ivory Textured	Polybag	25	
WMTI-R	Decorator/Rocker	Ivory Textured	Polybag	25	
WMTI-D	Duplex	Ivory Textured	Polybag	25	
WMTI-B	Blank	Ivory Textured	Polybag	25	
WMTI-SR2	Receptacle 1.40" Hole	Ivory Textured	Polybag	25	
<b>Maxi Metal Wallplate: Ivory Textured</b>					
WRTI-TT	2-Toggle	Ivory Textured	Polybag	10	
WRTI-TTT	3-Toggle	Ivory Textured	Polybag	10	
WRTI-TTTT	4-Toggle	Ivory Textured	Polybag	10	
WRTI-5T	5-Toggle	Ivory Textured	Polybag	5	
WRTI-RR	2-Decorator/Rocker	Ivory Textured	Polybag	10	
WRTI-RRR	3-Decorator/Rocker	Ivory Textured	Polybag	10	
WRTI-RRRR	4-Decorator/Rocker	Ivory Textured	Polybag	10	
WRTI-DD	2-Duplex	Ivory Textured	Polybag	10	
WRTI-BB	2-Blank	Ivory Textured	Polybag	10	
WRTI-BBB	3-Blank	Ivory Textured	Polybag	10	
WRTI2-2	2-Gang Single Outlet 2.15"	Ivory Textured	Polybag	10	
WRTI-TD	Toggle Duplex	Ivory Textured	Polybag	10	
WRTI-TR	Toggle Decorator/Rocker	Ivory Textured	Polybag	10	
WRTI-DR	Duplex Decorator/Rocker	Ivory Textured	Polybag	10	

WHITE SMOOTH



WJW-D WJW-R WJW-T WJW-TT

WHITE TEXTURED



WJTW-D WJTW-R WJTW-T WJTW-TT

IVORY SMOOTH



WJI-D WJI-R WJI-T WJI-TT

IVORY TEXTURED



WJTI-D WJTI-R WJTI-T WJTI-TT

CATALOG #	DESCRIPTION	COLOR	PKG. TYPE	STD. PKG.	BARCODE
<b>Jumbo Metal Wallplate: White Smooth</b>					
WJW-T	Toggle	White Smooth	Polybag	20	
WJW-TT	2-Toggle	White Smooth	Polybag	10	
WJW-R	Decorator/Rocker	White Smooth	Polybag	20	
WJW-D	Duplex	White Smooth	Polybag	20	
<b>Jumbo Metal Wallplate: White Textured</b>					
WJTW-T	Toggle	Textured White	Polybag	20	
WJTW-TT	2-Toggle	Textured White	Polybag	10	
WJTW-R	Decorator/Rocker	Textured White	Polybag	20	
WJTW-D	Duplex	Textured White	Polybag	20	
<b>Jumbo Metal Wallplate: Ivory Smooth</b>					
WJI-T	Toggle	Ivory Smooth	Polybag	20	
WJI-TT	2-Toggle	Ivory Smooth	Polybag	10	
WJI-R	Decorator/Rocker	Ivory Smooth	Polybag	20	
WJI-D	Duplex	Ivory Smooth	Polybag	20	
<b>Jumbo Metal Wallplate: Ivory Textured</b>					
WJTI-T	Toggle	Textured Ivory	Polybag	20	
WJTI-TT	2-Toggle	Textured Ivory	Polybag	10	
WJTI-R	Decorator/Rocker	Textured Ivory	Polybag	20	
WJTI-D	Duplex	Textured Ivory	Polybag	20	



PLASTIC WALLPLATES – MASQUE®

MASQUE® 2000 SERIES

**APPLICATIONS**

- Designed for home and commercial use for enhanced ascetics and durability.

**PRODUCT FEATURES**

- Achieve fantastic colors. Masque wall plates are easily painted or wallpapered to match or compliment walls.
- Unbreakable premium plastic wallplates
- Hide outdated, discolored outlets
- Won't crack or distort during installation
- Made in U.S.A.
- Includes screw(s) in matching finish



**COMPLIANCES**

-  Intertek
- U.S. Patent 12,683,857



2000W



4000W



5070W



2400W



4400WH



4440W

CATALOG #	DESCRIPTION	COLOR	PKG. TYPE	STD. PKG.	BARCODE
<b>Masque® 2000 Series</b>					
2000W	Grounded Duplex	White Textured	Polybag	50	
4000W	Toggle	White Textured	Polybag	50	
5070W	Toggle Cover-Up	White Textured	Polybag	25	
2400W	Duplex Toggle	White Textured	Polybag	10	
4400WH	2-Toggle	White Textured	Polybag	10	
4440W	3-Toggle	White Textured	Polybag	10	

MASQUE® 5000 SERIES



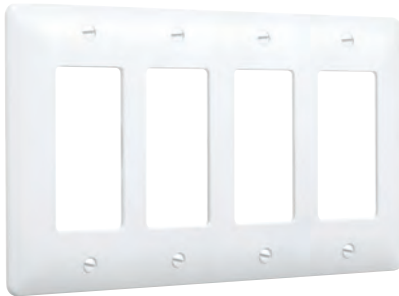
5000W



5500W



5550W



5555W

**APPLICATIONS**

- Designed for home and commercial use for enhanced aesthetics and durability.

**PRODUCT FEATURES**

- Achieve fantastic colors. Masque wall plates are easily painted or wallpapered to match or compliment walls.
- Unbreakable premium plastic wallplates
- Hide outdated, discolored outlets
- Customize with adapters
- Won't crack or distort during installation
- Made in U.S.A.
- Includes applicable screw(s) in matching finish

**COMPLIANCES**

- LISTED\*

MASQUE® ADAPTERS



AD50W



AD60W



AD10W



AD20W



AD40W



AD70W



AD42W



AD90W



AD93W

CATALOG #	DESCRIPTION	COLOR	PKG. TYPE	STD. PKG.	BARCODE
<b>Masque® 5000 Series</b>					
5000W	Decorator Device	White Textured	Polybag	50	
5500W	2-Decorator/Rocker	White Textured	Polybag	10	
5550W	3-Decorator/Rocker	White Textured	Polybag	10	
5555W	4-Decorator/Rocker	White Textured	Polybag	10	
<b>Masque® Adapter Plates</b>					
AD50W	Rocker Switch Cover-Up	White Textured	Polybag	10	
AD60W	Decorator Outlet Cover-Up	White Textured	Polybag	10	
AD10W	Blank	White Textured	Polybag	10	
AD20W	Duplex	White Textured	Polybag	10	
AD40W	Toggle	White Textured	Polybag	10	
AD70W	Toggle Switch Cover-Up	White Textured	Polybag	25	
AD42W	Rotary Dimmer	White Textured	Polybag	10	
AD90W	Telephone Jack (jack included)	White Textured	Polybag	10	
AD93W	Cable TV	White Textured	Polybag	10	

\*Duplex Adapters (AD20W, AD60W) not UL listed

PLASTIC WALLPLATES – DECORATOR COVER®

DECORATOR COVER®

**APPLICATIONS**

- Decorator Covers® improve the appearance of a room in seconds, creating a designer decorator look by covering old outlets instead of replacing them. There is no need to re-wire, saving time and money.

**PRODUCT FEATURES**

- Completely covers old outdated outlets and switches
- No re-wire required
- Saves time and money
- Contemporary look - smooth finish
- Polycarbonate material resists wear and tear
- Won't crack or distort during installation
- Made in U.S.A.
- Includes screw(s) in matching finish

U.S. Patents: 6,977,342; 7,119,278; 6,511,343



2500W



2500I



2570W

CATALOG #	DESCRIPTION	COLOR	PKG. TYPE	STD. PKG.	BARCODE
<b>Decorator Cover® Wallplates</b>					
2500W	Grounded Duplex	White	Polybag	50	
2500I	Grounded Duplex	Ivory	Polybag	50	
2570W	Toggle Switch Cover-Up	White	Polybag	25	

ALLURE™ DESIGNER WALLPLATES



**APPLICATIONS**

- Allure™ wallplates cover outdated, mismatched receptacles; transforming them to a clean-line, sleek, contemporary look with no visible screws.

**PRODUCT FEATURES**

- Use one plate with different inserts to fit any combination of outlet and switch.
- Upgrade the look of a home in seconds with the innovative style of Allure™ designer wallplates.
- Quick and easy to install in under a minute with no electrical work
- Saves time and money by covering existing devices instead of replacing
- Polycarbonate material resists wear and tear

Wall Plate Frame



A1000W

Choose the proper insert



Install for upscale finished look



A2000W



A3000W



A4000W

CATALOG #	DESCRIPTION	COLOR	PKG. TYPE	STD. PKG.	BARCODE
<b>Allure™ Wallplate Frames</b>					
A1000W	1-Device	White	Card	6	
A2000W	2-Device	White	Card	3	
A3000W	3-Device	White	Card	3	
A4000W	4-Device	White	Card	3	

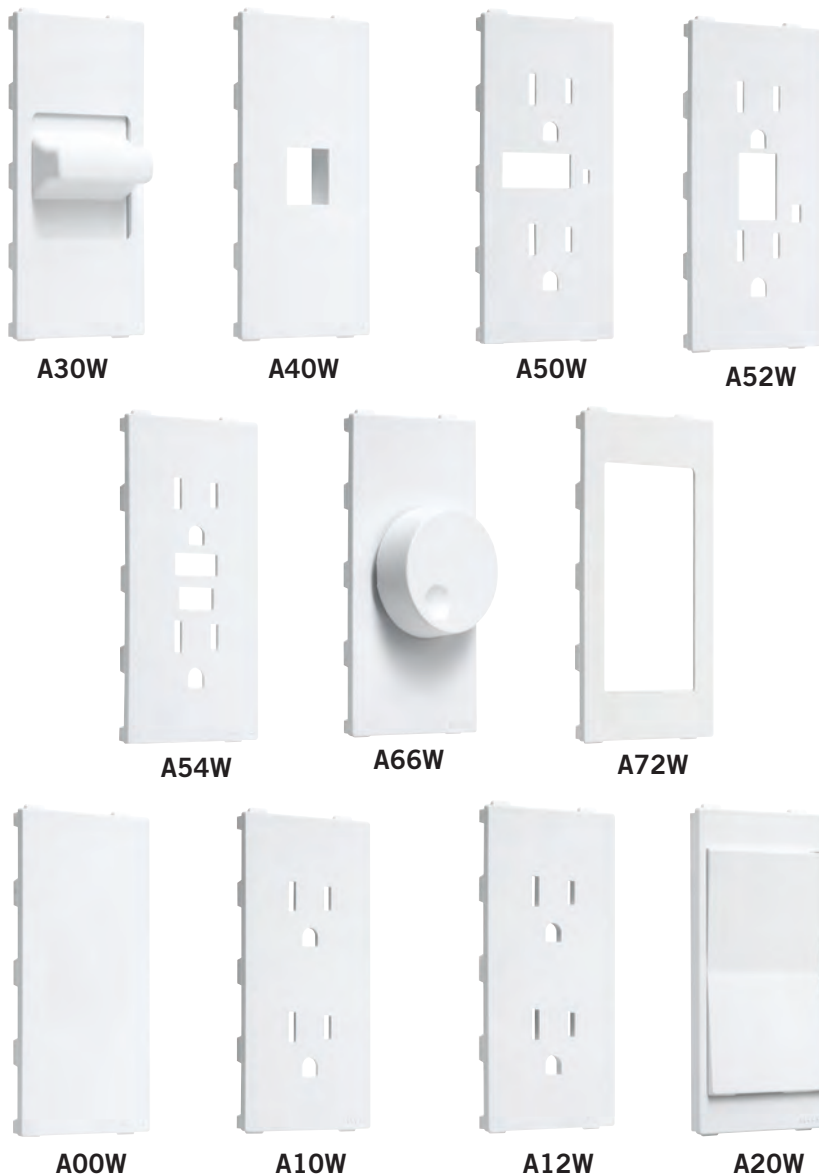
PLASTIC WALLPLATES – ALLURE™

**APPLICATIONS**

- Allure™ wallplates cover outdated, mismatched receptacles; transforming them to a clean-line, sleek, contemporary look with no visible screws.

**PRODUCT FEATURES**

- Use one plate with different inserts to fit any combination of outlet and switch.
- Upgrade the look of a home in seconds with the innovative style of Allure™ designer wallplates.
- Quick and easy to install in under a minute with no electrical work
- Saves time and money by covering existing devices instead of replacing
- Polycarbonate material resists wear and tear



CATALOG #	DESCRIPTION	COLOR	PKG. TYPE	STD. PKG.	BARCODE
<b>Allure™ Inserts</b>					
A30W	Toggle Switch	White	Card	6	
A40W	Multi-Port	White	Card	3	
A50W	GFCI*	White	Card	3	
A52W	GFCI*	White	Card	3	
A54W	GFCI*	White	Card	3	
A66W	Rotary Dimmer	White	Card	3	
A72W	Universal Insert	White	Card	3	
A00W	Blank	White	Card	3	
A10W	Decorator Outlet	White	Card	3	
A12W	Duplex Outlet	White	Card	6	
A20W	Rocker Switch	White	Card	3	

LOW PROFILE THERMOSTAT COVERS



**ZTC100**

Compare to Honeywell TG510A 1001

**Fits thermostat models:**

- Honeywell: T87/Q539
- Robertshaw: TX400
- ITT General: T199
- And others of similar size



**ZTC200**

Compare to Honeywell TG510A 1000

**Fits most small and medium thermostat brands including:**

Honeywell, ITT General, White Rodgers, Enerstat, American Stabilis, Columbus Electric and Seco



**ZTC300**

Compare to Honeywell CG512A 1009

**Fits most medium and large thermostat brands including:**

Honeywell, ITT General, White Rodgers, Enerstat, American Stabilis and Columbus Electric

**APPLICATIONS**

- Protects thermostat from tampering and unwanted changes to AC or heating settings.

**PRODUCT FEATURES**

- Patented rotating removable hinge makes adjusting the thermostat more convenient by eliminating the need to completely remove the cover.
- Lid can be removed for ease of thermostat installation.
- Patented hinge includes high strength locking features to ensure that the lid cannot be removed when closed.
- Includes tumbler lock with two keys
- Heavy duty polycarbonate
- Includes mounting screws and anchors
- Mounts horizontally or vertically
- Low profile
- Can be mounted in any one of four directions



CATALOG #	DESCRIPTION	INSIDE WIDTH	OUTSIDE WIDTH	PKG. TYPE	STD. PKG.	BARCODE
<b>Clear Plastic Thermostat Guard – Low Profile</b>						
ZTC100	Small	4 7/16" W x 4 7/16" H x 2 1/4" D	5 7/8" W x 5 7/8" H x 2 1/2" D	Box	12	
ZTC200	Medium	6 1/16" W x 5 1/16" H x 2 5/8" D	7 1/2" W x 6 1/2" H x 2 15/16" D	Box	12	
ZTC300	Large	8 3/8" W x 5 7/8" H x 3" D	9 3/4" W x 7 1/4" H x 3 3/8" D	Box	6	

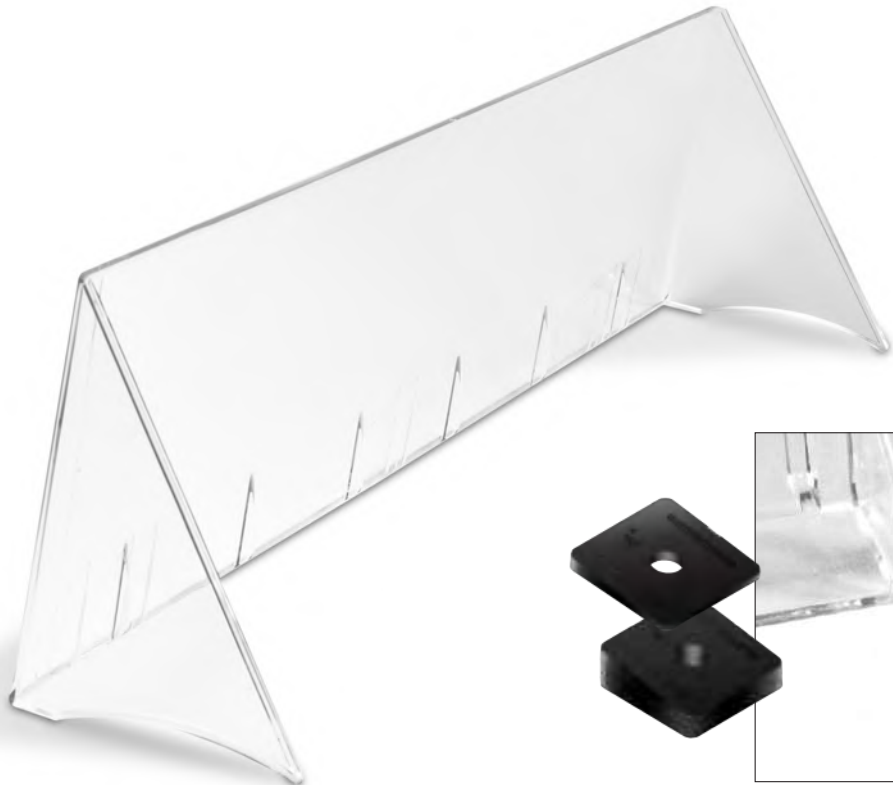
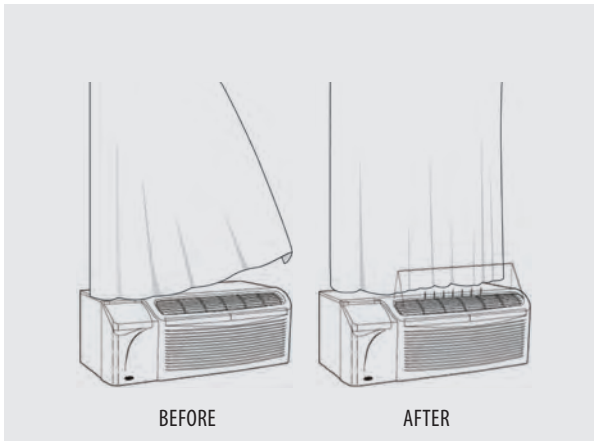
# AIR DEFLECTORS

**APPLICATIONS**

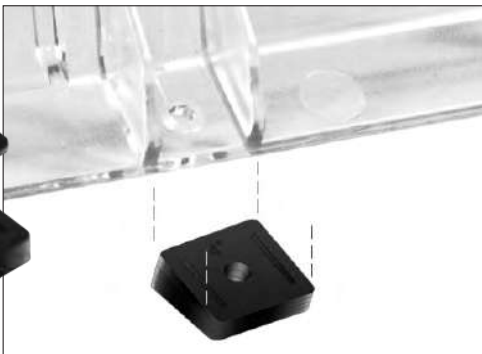
- Saves energy and adds comfort by redirecting the flow of air through-out home or office.

**PRODUCT FEATURES**

- Heavy duty polystyrene
- Easy to install
- Includes mounting hardware
- (15) adapter wedges included for precision installation



Adjustable Wedges Included

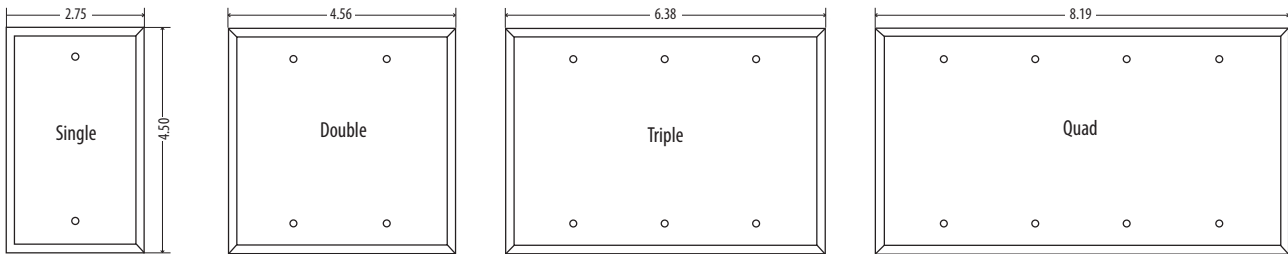


DA28, DF30, DG28, DG30

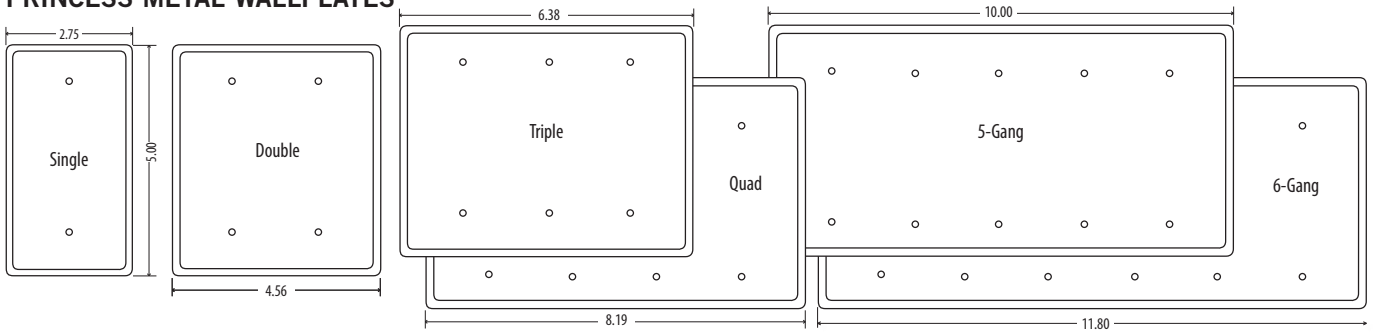
CATALOG #	SIZE (INSIDE)	COMPATIBILITY	PKG. TYPE	STD. PKG.	BARCODE
<b>PTAC Air Deflector</b>					
DA28	28.5"	Fits Amana® A, B and C series units	Polybag	4	
DF30	30"	Fits most Friedrich® models and other similar size units	Polybag	4	
DG28	29.5"	Fits GE® Zonline® models 2100, 2600, 3100 and 5100	Polybag	4	
DG30	30.25"	Fits GE® Zonline® models 2200, 2500, 2800, 3200, 3500, 3800, 5200 and 5500	Polybag	4	

METAL WALLPLATES

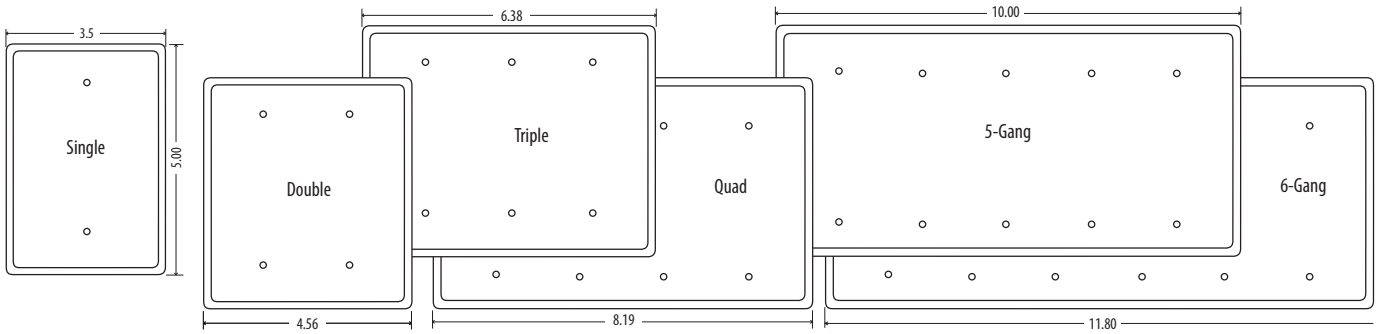
STANDARD METAL WALLPLATES



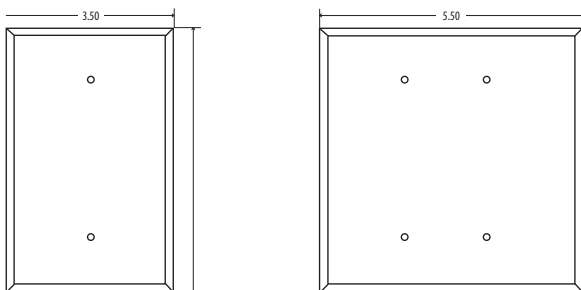
PRINCESS METAL WALLPLATES



MAXI METAL WALLPLATES



JUMBO METAL WALLPLATES

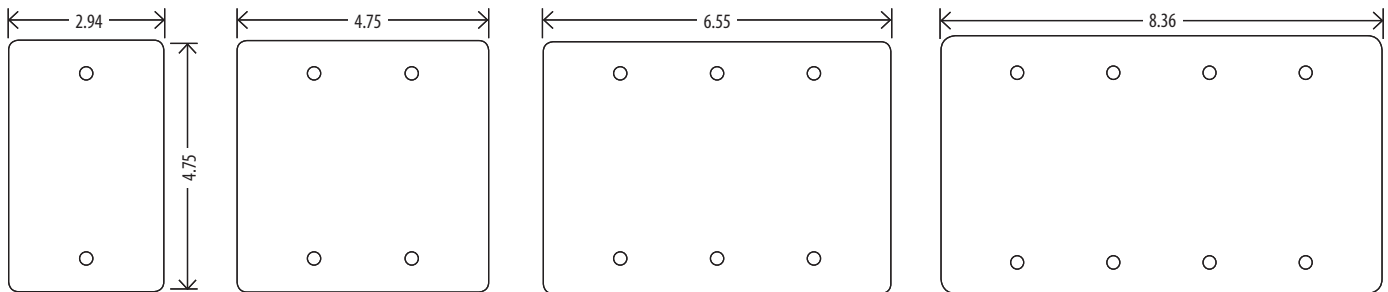




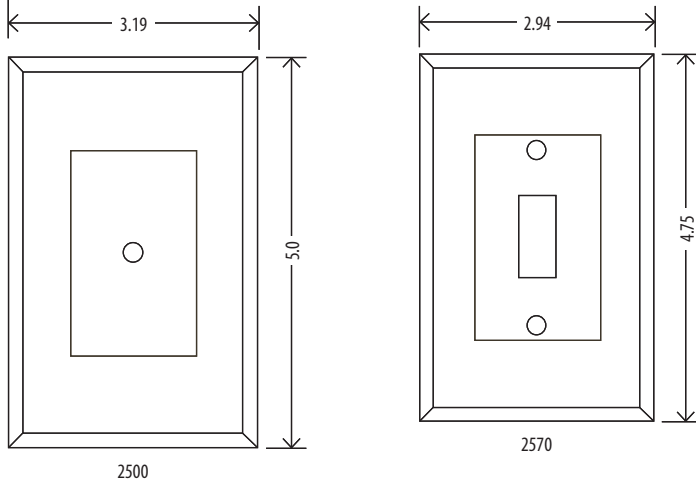
DETAILED DRAWINGS

PLASTIC WALLPLATES

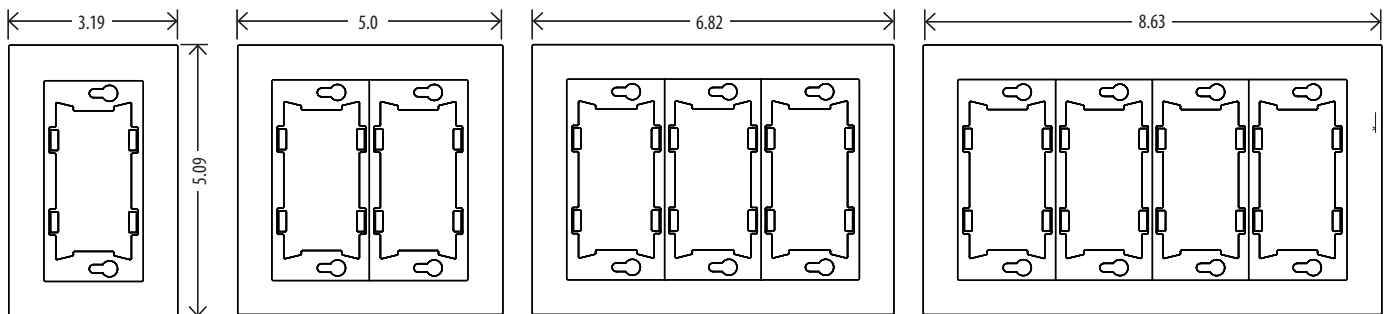
MASQUE® WALLPLATES



DECORATOR COVER® WALLPLATES

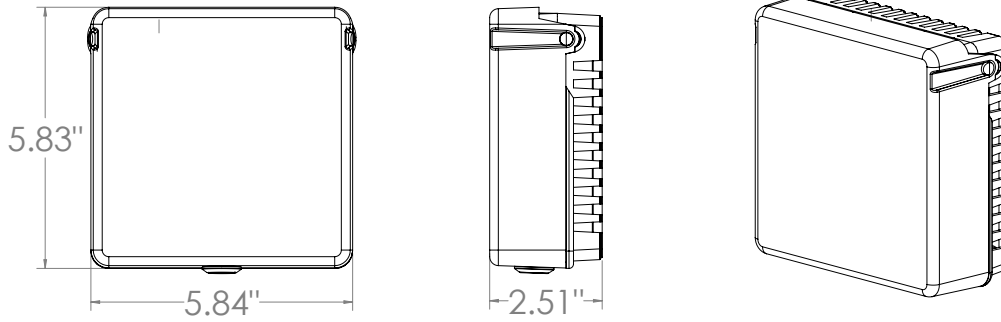


ALLURE™ WALLPLATES

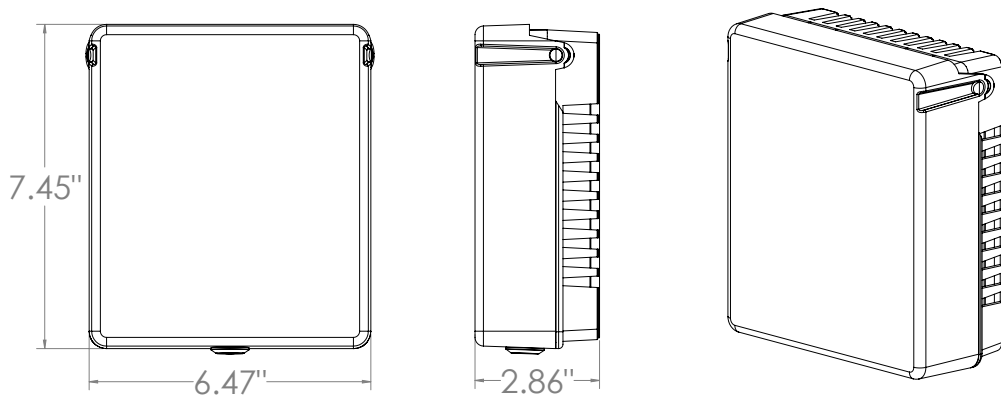


THERMOSTAT COVERS

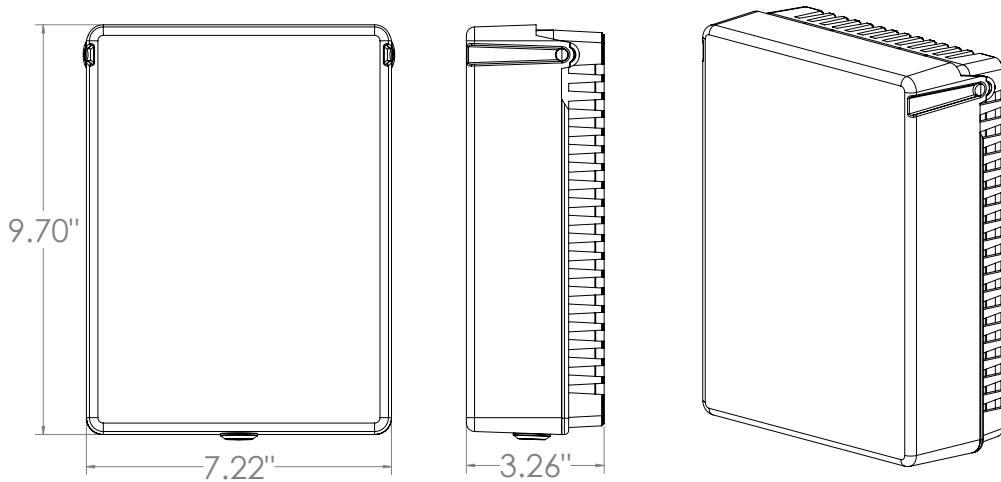
ZTC100



ZTC200

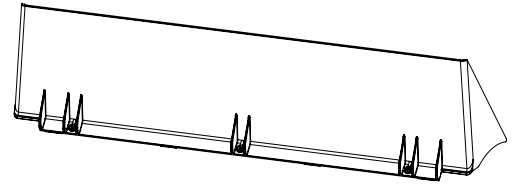
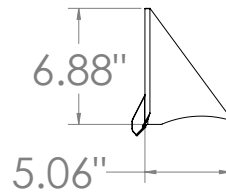
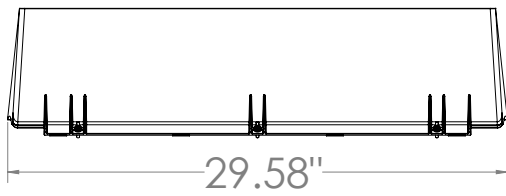


ZTC300

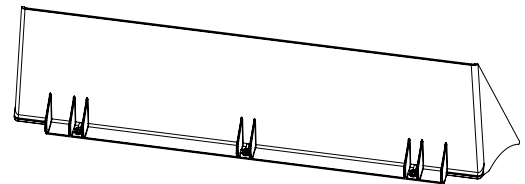
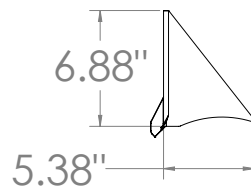
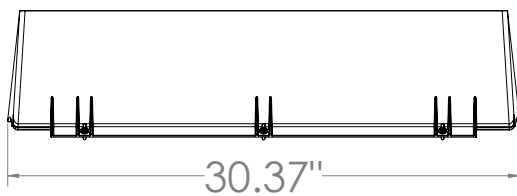


AIR DEFLECTORS

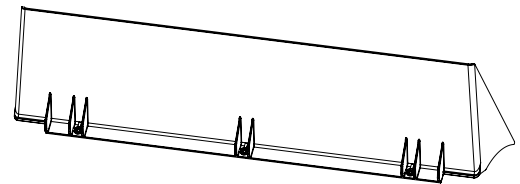
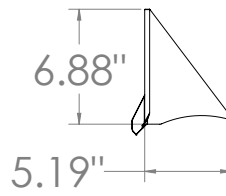
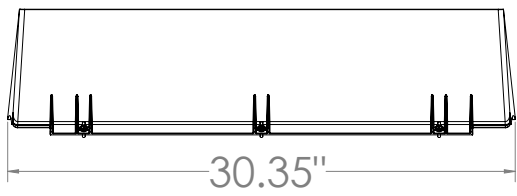
DA28



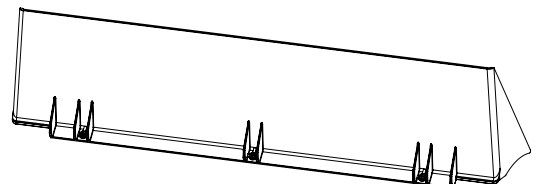
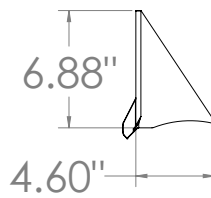
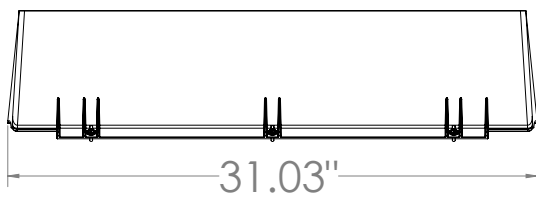
DF30



DG28



DG30





## GLOSSARY: A – E

**A**

**ADD-A-DEPTH RING** – a means of extending the walls of a device box to the wall surface, providing a barrier between a wiring device and the surrounding wall material.

**AIR PLENUM** – a compartment or chamber to which one or more air ducts are connected and which forms part of the air distribution system.

**AMP (A)** – a measurement of the amount of electrical current in a circuit at any moment.

**ARMOR** – a metallic covering around the cable for mechanical protection. Typically interlocked steel or aluminum.

**ARMORED CABLE CLAMP** – a means of securing armored cable to a box, providing an electrical ground. The clamp will accommodate two cables.

**B**

**BX** – see flexible armored cable.

**BAR HANGER** – a means that is used to position a lighting fixture or fan between ceiling joists or studs. The bar hanger may be adjustable, and permits the electrical outlet box to be positioned along its length.

**BEAM CLAMP** – a fastening means, usually made of malleable iron or steel, commonly used with hangers and a threaded rod to fasten a raceway to an I-beam.

**BELL BOX** – a Hubbell Inc. trade name for the BELL® brand of weatherproof boxes.

**BLOCK-LOC™** – a Hubbell Inc. trade name for masonry box positioning brackets.

**BONDING** – the permanent joining of metallic parts to form an electrically conductive path that will assure electrical continuity and the capacity to conduct safely any current likely to be imposed.

**BOX EXTENSION** – see extension ring.

**BOX-LOC®** – RACO trade name for our snap-on metal stud bracket.

**BOX MOUNT** – a term commonly used to denote where the screws of a cover attach.

**BUSHING** – a fitting provided to protect wires from abrasion and intended for use where conductors enter or leave the raceway system.

**C**

**CSA** – see Canadian Standards Association.

**CABLE** – two or more insulated conductors wrapped in metal or plastic sheathing.

**CABLE BOX** – a box provided with clamps to accommodate either metallic or nonmetallic sheathed cable.

**CABLE CLAMP** – generic name for a clamp that mechanically secures the cable to the electrical outlet box.

**CANADIAN STANDARDS ASSOCIATION (CSA)** – an independent testing agency that certifies products to its established standards of safety and performance.

**CARPET FLANGE** – a ring that is used with a floor box to provide a decorative finish.

**CHASE® NIPPLE** – a registered trademark for a threaded nipple.

**CIRCUIT** – the path of electrical flow from a power source through an outlet and back to ground.

**CLAMP BACK** – a raceway fastening accessory typically used with a conduit strap to position a raceway away from a wall.

**CLASS I LOCATIONS** – are those locations in which flammable gases or vapors are or may be present in the air in quantities sufficient to produce explosive or ignitable mixtures.

**CLASS II LOCATIONS** – are those locations that are hazardous because of the present combustible dust.

**CLASS III LOCATIONS** – are those locations that are hazardous because of the presence of easily ignitable fibers or flyings, but in which the fibers or flyings are not likely to be in suspension in the air in quantities sufficient to produce ignitable mixtures.

**CLEAT HANGER** – see bar hanger.

**CODE GUARD®** – RACO trademark for weatherproof cover and Hubbell WRTR device.

**COMBINATION COUPLING** – a coupling device used to join two dissimilar raceways (ie., rigid and flex).

**CONCENTRIC KNOCKOUT** – a combination knockout where all the knockouts have the same center (eg., masonry boxes).

**CONCRETE BOX** – a box intended for use in concrete and masonry block. It is not intended for installation in a floor.

**CONCRETE RING** – see concrete box.

**CONCRETE-TIGHT FITTING** – a fitting that, when assembled to conduit or tubing of the proper size, excludes concrete aggregate.

**CONDUCTOR FILL** – refers to the number of current carrying and grounding conductors permitted by the National Electrical Code (NEC) to be used in conduit and tubing.

**CONDUCTORS** – electrical term describing wires capable of carrying an electrical current or wire being used as a ground, usually sheathed with an insulating material.

**CONDUIT** – (raceway) a pipe or tube designed to enclose and protect conductors or cables from moisture and physical damage.

**CONDUIT BODY** – a portion of a conduit or tubing system that provides access through a removable cover(s) to the interior of the system at a junction of two or more sections of the system or at a terminal point of the system.

**CONDUIT CLAMP** – a fastening clamp used to mount raceways.

**CONDUIT HANGER** – a fastening means used to support conduit.

**CONDULET** – a term used to refer to malleable or aluminum conduit bodies.

**CONNECTOR** – a fitting intended to terminate a cable or raceway into a box, panel, etc.

**CORD GRIP (CG)** – a connector used to terminate flexible cords and cables into an enclosure.

**COUPLING** – a fitting intended to connect two lengths of raceway.

**D**

**DAMP LOCATION** – partially protected locations such as under canopies or roofed open porches, and interior locations subject to moderate degrees of moisture, such as basements, barns, and cold-storage warehouses.

**DEVICE EARS** – ears or tabs with holes spaced to accommodate wiring devices. Device ears are found on plaster rings, switch boxes and handy boxes.

**DEVICE MOUNT** – a term commonly used to denote where the screws of a device cover attach.

**DUPLEX RECEPTACLE** – Electrical outlet device having two plug receptacles.

**DURALOY®** – is a trademark identifying a tri-coat protective finish used on iron electrical conduit fittings for standard and hazardous locations.

**E**

**8B** – a 4" octagon box that is 1-1/2" deep.

**8B DEEP** – a 4" octagon box that is 2-1/8" deep.

**ELBOW** – a curved section of raceway intended to change the direction of the run.

**ELECTRICAL METALLIC TUBING (EMT OR THINWALL)** – conduit called thinwall as a contrast to the "heavywall" of rigid or IMC.

**ELECTRICAL NONMETALLIC TUBING (ENT)** – a plastic corrugated raceway of circular cross section that is resistant to moisture and chemical atmospheres, and that is flame retardant.

# GLOSSARY OF ELECTRICAL INDUSTRY TERMS

## GLOSSARY: E – K

**ELECTROPLATING** – a term used to describe the process of electrically depositing a layer of corrosion resistant material (ie., zinc) onto steel or iron parts.

**EMT** – see electrical metallic tubing.

**END RUN** – that portion of the branch circuit that extends to the last fixture or device.

**ERICKSON® COUPLING** – a registered trade name for a three-piece coupling used for rigid/IMC conduit.

**ETL** – certification mark for Intertek Testing Services. ITS tests to the standards of UL, CSA and other international standards.

**EXPOSED WORK** – boxes and branch circuits that are mounted external or exposed on walls, beams, columns, etc.

**EXTENSION RING** – used to extend the box when it is recessed back in a wall. Also provides more cubic inch capacity for the box if needed. **EXTRA DUTY** – a name applied to weatherproof while-in-use covers that have passed UL testing and are listed as “Extra-Duty”.

### F

**FAN BOX** – a box that is UL listed for the support of a ceiling (paddle) fan.

**FINISHED WALLS** – studs, furring strips, joists, that are covered with wood paneling, drywall, plaster, Masonite or ceramic are considered finished.

**FIXTURE** – a lighting assembly that is permanently attached to a building’s wiring system, usually to a ceiling box.

**FIXTURE EARS** – ears or tabs with holes in them spaced 2- 3/4" or 3- 1/2" apart to accommodate lighting fixtures.

**FLEX** – see flexible metal conduit.

**FLEXIBLE ARMORED CABLE (BX)** – commonly called BX, a manufacturer’s trade name. It may be described as prewired flexible metallic conduit since it includes two or more current carrying conductors and can be supplied with a grounding conductor.

**FLEXIBLE METAL CONDUIT (GREENFIELD OR FLEX)** – frequently called “Greenfield,” which is the trade name of one manufacturer of this flexible steel or aluminum raceway. It is used around machinery where vibration or movement exists or where complex routing of the raceway dictates a flexible conduit.

**FLOOR BOX** – a box provided with means for flush mounting in a floor. The floor box may be used to provide power, telephone or data connections in office or store areas.

**FORM 7** – a style of conduit body that requires a clip cover.

**FORM 8** – an “expanded volume” style of conduit body that requires a two screw cover.

**FORM 35** – a style of conduit body that requires a two screw cover.

**FURRING STRIPS** – small wood strips attached to an existing wall to provide a means to attach paneling or drywall.

### G

**GFCI** – see Ground Fault Circuit Interrupter.

**GANGABLE** – box with a side that can be removed to allow the attachment of another box for installation of multiple devices.

**GAUGE** – a term used to describe the physical size of a wire.

**GORILLA-RING®** – a RACO® concrete ring UL approved for fixture and ceiling fan support.

**GOTCHA®** – a registered HUBBELL® INC trademark for a split hinge design ring used in Hubbell strain relief cord connectors.

**GREENFIELD** – see flexible metal conduit.

**GRID-BRACE™** – A Hubbell Inc. trade name for a ceiling support assembly designed for ceiling fan or fixture support for suspended ceilings.

**GRIP-LOK®** – RACO® registered trademark for old work clips used to secure switch boxes with plaster ears in hollow walls.

**GROUND** – a conducting connection between an electrical circuit or equipment and the earth, or to some conducting body that serves in place of the earth. Neutral wires carry the current to ground in all circuits. An additional grounding wire, or the sheathing of metal clad cable or conduit, protects against shock from a malfunctioning tool or other device.

**GROUND FAULT CIRCUIT INTERRUPTER (GFCI)** – a safety device that senses shock hazard and automatically stops electrical flow in a circuit.

**GROUND FITTING** – a fitting used to attach a grounding conductor to a ground pipe or rod.

**GROUND LUG** – means used to connect a ground wire to a fitting, clamp, or enclosure. Generally made of copper, aluminum, brass or bronze.

**GROUND SCREW** – a UL listed screw used to secure a grounding conductor to an enclosure.

**GROUND WIRE** – the conductor used to connect the electrical equipment to ground (or earth) at the service entrance point, minimizing the potential for electrical shock. Usually clad in green insulation or unclad.

### H

**HANDY BOX** – box designed for enclosing devices; usually surface mounted.

**HANDY ELL** – a 90 degree elbow used either to connect two runs of conduit, or to connect a run of conduit to an enclosure.

**HAZARDOUS LOCATIONS** – are those locations where fire or explosion hazards may exist due to flammable gases or vapors, flammable liquids, combustible dust, or ignitable fibers or flyings.

**HEAVYWALL** – see rigid metal conduit.

**HICKEY** – (1) a threaded extension for support of a lighting fixture. (2) conduit bending tool.

**HIDDEN WORK** – residential and commercial construction where the electrical work is hidden by the finished wall; only the wiring device, switch, wall plate or light fixture is visible.

**HOT WIRE** – the higher voltage conductor carrying electrical current (usually black) in a 120V single phase system.

### I

**I.D.** – inside diameter.

**IMC** – see intermediate metal conduit.

**INSULATED THROAT CONNECTORS** – insulated throat connectors have a thermoplastic liner pressed or glued into the throat. This liner helps to prevent damage to the insulation when the conductors are pulled.

**INSULATION** – sheathing or jacket of nonconducting material used to cover wires.

**INTERMEDIATE METAL CONDUIT (IMC)** – a lighter weight, more economical version of rigid metal conduit. It has the same outside diameter (O.D.) with a thinner wall.

### J

**JAKE FITTING** – a commonly used term for a screw-in type connector or coupling for flexible metal conduit.

**JEFFY BOX** – old work switch box.

**JOIST** – horizontal beams that extend from wall to wall and support the floor or ceiling – typically 2" x 10", 2" x 8" or 2" x 6".

**JUNCTION BOX** – an enclosure used for splitting circuits into different branches. In a junction box, wires connect only to each other, never to a switch, receptacle, or fixture.

### K

**KELLEMS® GRIP** – a Hubbell Inc. trade name for a wire mesh grip.

**KILOWATT (KW)** – one thousand watts, kilowatt measures power.

## GLOSSARY OF ELECTRICAL INDUSTRY TERMS

## GLOSSARY: K – R

**KILOWATT-HOUR** – the standard measure of electrical consumption or energy.

**KO (KNOCKOUT)** – a circular tab on the side or bottom of a box pushed back in place with a small piece of steel remaining uncut to hold the tab in place until it is removed for installation of conduit or a connector.

**KORNS® CLAMP** – A registered trademark for a right angle, parallel, or edge type conduit clamp, used to fasten conduit to I-beams.

**KWIK-BRACE®** – a RACO® new work adjustable brace that is UL approved for fixture and ceiling fan support.

**KWIK-HANG®** – a RACO® swivel fixture cover or box support hanger.

**L**

**LAMPHOLDER** – a current carrying device used to support, illuminate and protect lamps.

**LIQUIDTIGHT FLEXIBLE METAL CONDUIT** – flexible metal conduit with a plastic outer jacket that protects the electrical system against sunlight, liquids, vapors or solids.

**LIQUIDTIGHT FLEXIBLE NONMETALLIC CONDUIT (NMLT)** – liquidtight flexible nonmetal conduit is a raceway of circular cross section having a smooth inner surface with integral reinforcement within the conduit wall.

**LOAD BEARING** – walls that are an integral part of the structure that supports the joists.

**LOCKNUT** – an internally threaded barbed nut for use on conduit or fittings to prevent turning and to provide a secure joint.

**LOW VOLTAGE PARTITION** – a barrier added inside an electrical box to separate communication and power circuits. Also required where voltage levels between adjacent switches exceed 300.

**LUG** – see ground lug.

**M**

**MC CABLE** – metal clad cable. A UL classification indicating an assembly of insulated conductors with a metal cladding applied over the core and with grounding conductor(s) if the cladding is interlocked armor.

**MADISON HOLD ITS®** – Registered trademark for #977 griplok old work brackets.

**MASONRY BOX** – box installed in block walls as the blocks are being laid. The mason cuts the block to fit around the box.

**MOUNTING EARS** – ears on a box which are used to mount a box cover, device or fixture.

**MOUSE HOUSE** – a metallic or nonmetallic pedestal that can provide power or voice/data to a floor location.

**MUD RING** – all rings are called mud rings regardless of the finish wall material used. There are two styles of rings, one for mounting a switch or receptacle, and one for mounting lighting fixtures.

**MYERS® HUB** – A registered trade name used to refer to a threaded hub for rigid/IMC conduit; provides a threaded hub in a KO.

**N**

**NEC** – see National Electrical Code.

**NEMA** – National Electrical Manufacturer's Association.

**NM** – see nonmetallic sheathed cable.

**NAIL-UP STRAPS** – a fastening device used to mount raceways to wooden studs, siding, etc.

**NATIONAL ELECTRICAL CODE (NEC)** – a set of rules governing safe wiring methods drafted by the National Fire Protection Association. Local codes sometimes differ from and take precedence over NEC requirements.

**NEUTRAL WIRE** – a grounded conductor that completes a circuit by providing a return path to the source. Neutral wires are always identified by white or gray insulation.

**NEW WORK** – electrical work that is completed before the drywall or plaster is installed.

**1900** – a 4" square box that is 1-1/2" deep.

**1900 DEEP** – a 4" square box that is 2-1/8" deep.

**NIPPLE** – an externally threaded fitting intended primarily to serve as a short raceway between close-spaced enclosures.

**NONMETALLIC SHEATHED CABLE (ROMEX®)** – nonmetallic sheathed cable, popularly called by a manufacturer's trade name of Romex, is two or more insulated conductors, usually copper, protected by an outer jacket or sheath of nonmetallic material.

**NMLT** – see liquidtight flexible nonmetallic conduit.

**O**

**O.D.** – outside diameter (of conduit, etc.).

**OCTAGON BOX** – a metal box used on a wiring system, usually at an outlet. It provides means for connection to a wiring system and is intended primarily to enclose splices and wiring devices or to support a fixture or other equipment intended for similar installation.

**OFFSET CONNECTORS** – connects the conduit on the wall surface to a KO in the box where the KO and wall surface are on different planes.

**OLD WORK** – electrical work that takes place after the drywall or plaster is in place.

**OUTLET** – anything that allows access to the wiring system (eg., box, conduit body, etc).

**P**

**PAN** – see pancake box.

**PANCAKE BOX** – this round box is also referred to as a pan. The pancake box typically is the same depth as the finish wall material in which it is mounted.

**PARTITION WALLS** – walls that are nonload bearing—typically interior walls of an office building that can be removed.

**PLASTER EARS** – ears on switch boxes that prevent the box from falling back into the wall.

**PLASTER RING** – see mud ring.

**PLENUM** – a compartment or chamber to which one or more air ducts are connected to form part of the air distribution system.

**PLUG** – a threaded means used to close unused threaded openings.

**PREGALVANIZED** – the application of hot zinc to the exterior surfaces of steel.

**PRIOUT** – a circle or pear shaped tab cut into the steel with a tie (a little piece of steel uncut) holding it in place; the priout has a slot in it where a screwdriver tip is inserted to pry out the tab, providing an opening for cable.

**Q**

**QUICK-FIT™** – Keyhole mounting system.

**R**

**RACE WAY** – enclosed channel designed expressly for holding wire or cables. Conduit is a raceway; so is a duct.

**RAFTER** – parallel beams that support a roof running from the top of the joist to the peak of the roof.

**RAINTIGHT** – constructed so as to pass the UL rain test.

**RaynGuard™** – RACO® trademark for extra duty weatherproof proof metallic while in use cover.

**RAYNTITE®** – RACO® trademark for weatherproof device cover approved for use in wet locations.

**RAISED COVER** – used for a job that is surface mounted. There are a variety of raised covers that may be used depending on the type of device being installed.

**REDI-LOC®** – a registered RACO® trademark for MCI, AC and HCF cable connectors.

**RED SEAL COVER** – see raised cover.

**REDUCING BUSHING** – a threaded steel or malleable iron bushing used to make transitions from one trade size of rigid/IMC to another.

GLOSSARY: R – Z

**REDUCING WASHER** – a stamped steel washer which, when used in pairs, reduces the size of an opening in an enclosure.

**RETRO-BRACE®** – a RACO® old work adjustable brace for fixture or ceiling fan support.

**RETRO-RING®** – a RACO® old work, steel mounting bracket for 4" square boxes.

**RIGID** – see rigid metal conduit.

**RIGID METAL CONDUIT (RIGID OR HEAVYWALL)** – rigid metal conduit is a raceway that provides a high degree of mechanical protection indoors or out, in dry or wet locations, exposed or concealed, in all kinds of atmospheric conditions, locations, and in hazardous locations such as explosion proof, vapor tight and dust tight.

**RIGID NONMETALLIC CONDUIT** – three types of rigid nonmetallic conduit are listed by UL: (1) rigid nonmetallic plastic Schedule 40 and 80 PVC; (2) rigid nonmetallic underground plastic; and (3) rigid nonmetallic underground other than plastic, fiber type.

**ROBERTSON HEAD SCREW** – a type of screw with a square key that is popular in Canada. A special tool (called a Robbie) is required to drive the screw.

**ROMEX®** – see nonmetallic sheathed cable.

**S**

**SEALTITE®** – A registered trademark used to refer to liquidtight metallic conduit and fittings.

**SERVICE DROP** – service entrance conductors from the utility pole to the service entrance conductors of a building that has overhead service. The utility company usually supplies and connects the service drop.

**SERVICE ENTRANCE** – the point at which electrical service enters a building

**SERVICE ENTRANCE CABLE (SE)** – service entrance cable can be compared to nonmetallic sheathed cable (Romex®) in large conductor sizes, with a weatherproof nonmetallic outer covering. It is often encased by rigid, IMC or EMT conduit for additional protection.

**SERVICE-ENTRANCE HEAD** – an enclosed fitting intended for use at service entrances where open wiring is connected to a service-entrance cable or raceway system.

**SET BACK** – the distance a box is set forward on a stud to accommodate the thickness of the finished wall and leave the face of the box flush with the front surface of the wall.

**SET SCREW CONNECTOR** – a fitting which terminates a run of conduit into an enclosure using set screws to secure the conduit.

**SET-UP BOX** – trade term for an octagon box, factory installed on a bar hanger.

**SHEATH** – material, usually an extruded plastic material applied outermost to a wire or cable. Often called a jacket.

**SHIELDED CABLE** – a cable in which the insulated conductor(s) are enclosed in a conductive mesh envelope. The mesh is intended to protect the enclosed conductor(s) from external electrical interference.

**SPLICE** – the joining of two or more conductors.

**SPLICE BOX** – see junction box.

**SPLIT COUPLING** – a term used to refer to a coupling used for rigid/IMC conduit. Used where the conduits to be coupled cannot be rotated.

**STRAIN RELIEF** – a term used to describe the sealing and gripping action of a cord connector.

**STRAPS** – used to support conduit as required by Code. Beam and conduit clamps perform this function in industrial locations.

**STUD** – 2" x 4" or 2" x 6" wood or steel used to construct walls.

**STUD WALL** – wood or steel 2" x 4" spaced 16" or 24" on center — drywall or paneling typically is attached to the studs to finish the wall.

**SWITCH BOX** – boxes with device ears for direct mounting of switches as opposed to boxes requiring mud rings for switch mounting.

**SWIVEL LOK®** – a registered HUBBELL INC trademark for multi-position liquidtight connectors for type B liquidtight flexible nonmetallic conduit and extra flexible liquidtight nonmetallic tubing.

**T**

**THINWALL** – see electrical metallic tubing.

**TIGER BOX®** – RACO registered name for a patented switch box for old work applications.

**TILE COVER** – a series of covers designed for use with tile. These covers are for mounting switches or receptacles. Rings are available in different depths depending on the finished wall thickness.

**TKO®** – RACO trademark for combination 1/2" and 3/4" knockout. The two knockouts are off-center to enable a 1/2" locknut to engage the box for proper grounding of the electrical system.

**TOGGLE SWITCH** – a switch intended for use in general distribution and branch circuits.

**TOMBSTONE** – see mouse house.

**TRADE SIZE** – conduit is referred to by trade size according to its inside diameter.

**TYPE UF** – see underground feeder cable.

**U**

**UL** – see Underwriters Laboratories.

**UNDERGROUND FEEDER CABLE** – underground feeder cable (Type UF) is a group of conductors manufactured in the form of a cable assembly similar to Type NM (Romex®) but with the physical and electrical characteristics that allow for direct burial in the earth.

**UNDERWRITERS LABORATORIES (UL)** – An independent testing agency that tests and lists electrical equipment to its established standards of safety and performance.

**UTILITY BOX** – see handy box.

**V**

**VOLT (V)** – a unit of electromotive force.

**W**

**WATT (W)** – a measure of the power an electrical device consumes; [volts x amps = watts].

**WEATHERHEAD** – a term used to refer to a service entrance head.

**WEATHERPROOF** – an enclosure constructed for outdoor use.

**WEATHERPROOF-WHILE-IN-USE** – term commonly used to describe covers that are designed to be rain tight with cords installed.

**WET LOCATIONS** – installations underground or in concrete slabs or masonry in direct contact with earth, and locations subject to saturation with water or other liquids, such as vehicle washing areas, and locations exposed to weather and unprotected.

**WRTR** – an electrical device that is weather resistant and tamper resistant.

## INDEX (Product Category): A – L

**A**

Air Deflectors, E20  
 Add-A-Depth Ring, A64  
 Allure™, E17-E18  
 Armored cable connectors, B78-B81  
 Adjust-A-Brace, A61

**B**

Bar Hangers, A62  
 Beam Clamps, B84  
 Bell Weatherproof, D4-D49  
 Bonding Locknuts, B37  
 BOX-LOC® Bracketed Boxes, A11, A14, A17-A19, A26  
 BOX-LOC® Clip, A62  
 Box Mounting Lugs, D29  
 Box Support, A61-A62  
 Bushings:  
   Anti-short, B67, B70, B90  
   Insulating, B40  
   Insulated, B41  
   Grounding, B42  
   Reducing, B34-B35  
   Uninsulated, B39  
 Bullet Lampholder, D24

**C**

Cable Boxes, Nonmetallic, A75-A83  
 Cable Protector, A63, B77, B87  
 Carpet Flanges, A93-A94, A100  
 Ceiling Boxes, Plastic, A81  
 Ceiling Closure Plates, A43, D29  
 Ceiling Fan Boxes, A34-A35  
 Ceiling Pans, A36  
 Clamp Backs, B21, B46  
 Closure Plugs, D28, D33  
 CodeGuard, C8-C9  
 Combination Couplings:  
   EMT to Flex, B20, B66, B67  
   EMT to Rigid/IMC, B18, B19, B31  
   Flex to Rigid/IMC, B32, B66  
 Connectors and Couplings for:  
   Armored Cable, B68-B70  
   EMT (thinwall) Conduit, B3-B23  
   Flexible Metal Conduit, B61-B67  
   Liquidtight Conduit, B47-B60  
   Metal Clad, B71-B74  
   Nonmetallic Sheathed Cable, B75-B77

Portable Cords & Cable, B57-B60  
 Rigid/IMC Conduit, B24-B46  
 Service Entrance, B78-B82  
 Underground Feeder Cable, B79, B81

Concrete Rings, A57  
 Conduit Clamps, B85  
 Conduit Bodies, C13  
 Cord Grip Connectors, B57-B60

## Cover, Indoor:

4" Square Steel, A20-A24  
 4-11/16" Square Steel, A27-A29  
 Concrete Boxes, A57  
 Floor Boxes, A90-A102, A88  
 Floor Box Pedestal, A102  
 Gang Boxes, A54

Handy Boxes, A44-A46

Octagon Boxes, A37-A41

## Covers, Outdoor:

Blank, D9, D20, D31  
 Cluster, D22, D32  
 Switch & Outlet, D21, D31

**D**

Decorator Cover, E16  
 Double Bite Saddle Connectors, B74  
 Duplex Connectors, B66, B70, B71, B73

**E**

Elbows:  
   EMT, B13  
   Rigid/MC, B29  
 EMT Fittings, B3-B23  
 Entrance Heads/Caps, B78  
 Exposed Work Covers  
   4" Square, A23-A24  
   4-11/16" Square, A29  
 Extension Rings, Indoor:  
   4" Square, A12  
   4-11/16" Square, A25  
   Handy, A44  
   Octagon, A37-A38

Extensions, Outdoor, D5, D7-D8  
 Extra Duty Covers, C4-C5, C8, C10-C11, D10

**F**

Fan Support Products, A34-A35  
 Far Side Box Support, A62  
 Flat Covers, C6  
 Flexible Metal Conduit Fittings, B61-B67  
 Floodlight Kits, D26

## Floor Boxes:

Quick Selection Guide, A90-A91  
 Concrete, A92, A97-A99  
 Wood Floor, A95-A96

**G**

Gang Boxes, A54  
 Garden Lights, D27  
 Gaskets:  
   Weatherproof Covers, C12, D29  
 GRID-BRACE™, A36  
 GRIP-LOK™, A63  
 Ground Clamps, B83  
 Ground Bushings, B42  
 Ground Clips, Pigtails, Screws, A66  
 Grounding Liquidtight Connectors, B55-B57

**H**

Halogen Lampholders, D23  
 Handy Boxes, A44-A45  
 Handy Box Covers & Extensions, A44-A45  
 Handy EIs, B13, B29  
 Hangers, Conduit, B84  
 Hubs, Rigid Conduit, B33  
 HVAC Covers, E19-E20

**I**

IMC/Rigid Fittings, B24-B46  
 Indenter Fittings, B9-B10

**K**

Knockout Seals, B86  
 Kits / Combos:  
   Flip Cover, C9, D19  
   Light, D25-D26  
   While-In-Use, C8

**L**

Lampholders, Outdoor, D23-D24, D32  
 LED, D24  
 Lighting:  
   Garden Lights, D27  
 Liquidtight Connectors, B47-B60  
 Locknuts, B36-B38  
 Low Profile Covers, C7, C11  
 Low Voltage Partition, A22, A28, A31, A55, A58  
**M**  
 Masonry Boxes, A58  
 Masque, E14-E15





INDEX (Product Category): M – Z

Metal Clad Cable Connectors, B71-B74

Metal Wallplates, E2-E13

Multi-Configuration Covers, D11, D18

**N**

Nipples:

Uninsulated, B90

Offset, B90

Non-Metallic Floor Box, A92

Non-Metallic Floor Box Covers, A93-A94

Non-Metallic Sheathed Cable Fittings, B75-B77

Non-Metallic Wallplates, E14-E18

Non-Metallic Weatherproof Boxes, D30

Non-Metallic Weatherproof Covers, C4-C8, D31-D32

Non-Metallic Weatherproof Lighting, D32

**O**

Octagon Boxes, Steel, A37-A41

Octagon & Round Covers, A42-A43

Offset Fittings, B12, B16, B90

Old Work:

Metallic Boxes, A47, A49-A50

Plastic Boxes, A78

Retro-Ring, A31

Support, A61-A63

Outdoor:

Boxes, D4, D6, D7-D8, D30

Covers, C4-C11, D9-D22

Lighting, D23-D27, D32

**P**

Pans, A36

Partitions:

Steel, A22, A28, A31, A33, A55, A58

Photocell, D28

Plenum Boxes & Covers, A15

Portable Lampholders, D24

Protector Plates, A63, B77, B87

**R**

RaynGuard WIU Covers, D10

Rayntite, Outdoor Covers, D12, D16

REDI-LOC® Connectors, B71

Reducing:

Bushings, B34-B35

Washers, B88

Retro-Rings, A31

Round Box Adapter, C12

**S**

Sealing Locknuts, B38

Sealing Washers, Metallic, B89

Service Entrance Fittings, B78-B82, C14

Service Pedestals, A102

Specialty Type Switches, F2-F7

Spike Light, D24

Splice Boxes, D8, D30

Square Boxes:

4" Plastic, A76, A78-A79, A83

4" Steel, A9-A19

4-11/16" Steel, A25-A26

Straps, Mounting:

EMT, B22-B23

Nail-up, B67

Rigid/IMC, B43-B45

Service Entrance, B82

Strain-relief Connectors, B57-B60

Switch Boxes:

Plastic, A75, A77-A79, A82

Steel, A46-A52

Switches, Specialty, F2-F7

SWIVEL-LOC Connectors, B55, B56

**T**

TayMac Weatherproof, C4-C24

Thinwall (EMT) Fittings, B3-B23

Thermostat Covers, E19

Three-piece Couplings, B30

Thru-wall Boxes, A9

Tile Covers, A20-A21

Tile Cover Protector Plate, A59

**U**

Underground Feeder Connectors, B79, B81

**V**

Vapor Barrier Boxes, A83

Voltage Partitions:

Steel Boxes, A22, A28, A31, A33, A55, A58

**W**

Watertight SEU Connectors, B78-B82

Weatherproof Boxes & Covers, C4-C11, D4-D49

While-In-Use Covers, C4-C5, C7, C10-C11, D10,



INDEX (Catalog Number)

110 .....A37	193 .....A11	247 .....A25	296 .....A34	561 .....A48
111 .....A37	196 .....A11	248 .....A18	296-1 .....A34	562 .....A48
112 .....A37	199 .....A11	248HWP .....A18	299 .....A34	564 .....A51
119 .....A37	201 .....A12	249 .....A18	324 .....A38	565 .....A48
125 .....A38	202 .....A12	250 .....A25	325 .....A40	567 .....A51
126 .....A38	203 .....A12	251 .....A14	326 .....A41	570RAC .....A49
127 .....A38	204 .....A9	254 .....A26	355 .....A51	574 .....A49
127TS .....A38	205RAC .....A31	255 .....A16, A32	3PRAC .....A60	590 .....A48
128 .....A38	206RAC .....A31	256 .....A16, A32	400 .....A47	591 .....A48
130 .....A38	207 .....A12	257 .....A26	404 .....A52	592 .....A48
131RAC .....A38	208 .....A11	257F .....A26	404SP .....A52	596 .....A50
145 .....A41	211 .....A19	257H .....A26	405 .....A52	600 .....A49
146 .....A41	213 .....A17	257HS .....A26	410 .....A50	601 .....A51
150 .....A41	213HWP .....A17	257HWP .....A26	418 .....A52	601G .....A51
153 .....A40	218 .....A17	257M .....A26	420 .....A47	603 .....A51
155 .....A40	223 .....A19	257SM .....A26	440 .....A49	604 .....A49
157 .....A40	224 .....A17	258 .....A26	445 .....A50	605 .....A51
158 .....A38	225 .....A19	258SM .....A26	471 .....A50	611 .....A44
160 .....A41	226 .....A15	259 .....A26	473 .....A50	640 .....A45
161 .....A38	227 .....A11	260 .....A32	487 .....A50	650 .....A44
161SP .....A38	228 .....A19	262 .....A25	4PRAC .....A60	650CSA .....A44
164 .....A41	229 .....A17	263 .....A32	500 .....A47	653 .....A44
165 .....A39	231 .....A13	265 .....A26	501 .....A47	655 .....A44
166 .....A39	232 .....A13	266 .....A26	502 .....A47	660 .....A44
167 .....A39	232F .....A14	270RAC .....A57	503 .....A47	660SM .....A44
167TS .....A39	232H .....A14	271 .....A57	504 .....A47	661 .....A44
175 .....A41	232HS .....A14	272 .....A57	505 .....A47	661SP .....A44
176 .....A41	232HWP .....A14	273 .....A57	506 .....A47	662 .....A44
177 .....A41	232M .....A14	274 .....A57	508 .....A47	662SP .....A44
181 .....A10	232-OW .....A13	275 .....A57	509 .....A47	663 .....A44
185 .....A9	232RAC .....A13	276 .....A57	512 .....A50	663SM .....A44
187 .....A12	232SM .....A13	277 .....A57	517 .....A50	665 .....A44
189 .....A10	233 .....A13	278 .....A57	518 .....A49	666 .....A44
189F .....A11	235 .....A14	279 .....A57	519 .....A50	670RAC .....A45
189H .....A11	236 .....A14	280 .....A57	522 .....A49	671 .....A45
189HS .....A11	237 .....A14	284 .....A34, A57	523 .....A49	674 .....A45
189HWP .....A11	238 .....A14	287 .....A36	524 .....A49	675 .....A59
189M .....A11	239 .....A15	291-1 .....A34	526 .....A49	676 .....A59
189SM .....A10	240 .....A19	292 .....A36	528 .....A50	678 .....A45
189RAC .....A10	241 .....A18	293 .....A36	529 .....A50	680 .....A46
190 .....A9	242 .....A19	294 .....A34	531 .....A50	681 .....A46
191 .....A9	243 .....A18	294-1 .....A34	540 .....A50	681SP .....A46
192 .....A9	245 .....A25	295 .....A34	545 .....A50	683 .....A46
192SM .....A9	246 .....A25	295-1 .....A34	560 .....A48	683SP .....A46



INDEX (Catalog Number)

685 .....A46	762 .....A15	816C .....A23	863 .....A45	926 .....A35
685SP .....A46	767 .....A22	817C .....A23	864 .....A45	926-1 .....A35
686 .....A53	768 .....A20	818 .....A28	865 .....A45	931 .....A36
687 .....A53	769 .....A21	819 .....A28	867 .....A45	936 .....A35
688 .....A59	771 .....A20	820 .....A28	870RAC .....A29	937 .....A35
689 .....A59	772 .....A20	821 .....A55	871 .....A46	941 .....A54
690 .....A58	773 .....A20	822 .....A55	872 .....A46	942 .....A54
691 .....A58	774 .....A20	823 .....A55	873 .....A46	943 .....A54
692 .....A58	775 .....A20	824 .....A55	876 .....A29	944 .....A54
693 .....A58	777 .....A21	825 .....A55	878 .....A29	945 .....A54
694 .....A58	778 .....A21	826 .....A55	880 .....A45	949 .....A55
695 .....A58	779 .....A21	827 .....A55	881RAC .....A29	951 .....A54
696 .....A58	780 .....A21	828 .....A55	885 .....A28	952 .....A54
697 .....A58	781 .....A21	829 .....A28	887 .....A29	953 .....A54
698 .....A58	782 .....A20	830C .....A23	888 .....A29	954 .....A54
699 .....A58	785 .....A20	831C .....A23	890 .....A57	955 .....A54
700F .....A65	786 .....A20	832 .....A27	892 .....A57	956 .....A54
701F .....A65	787 .....A20	833 .....A27	893 .....A57	957 .....A54
701FD .....A65	791 .....A21	834 .....A55	894KH .....A42	958 .....A54
701FG .....A65	792 .....A33	835 .....A28	895 .....A42	959 .....A29
701R .....A65	793 .....A33	836 .....A55	896 .....A22	960 .....A58
701RD .....A65	794 .....A33	837 .....A27	897KH .....A22	961 .....A64
702F .....A65	795 .....A21	838 .....A27	898 .....A27	962 .....A64
702FD .....A65	796 .....A21	839 .....A27	899 .....A27	963 .....A64
702R .....A65	800C .....A23	840 .....A28	902C .....A23	964 .....A64
702RD .....A65	801C .....A23	841 .....A28	906C .....A23	965 .....A58
703 .....A42	803C .....A23	842 .....A27	907C .....A23	966 .....A64
706RAC .....A22, A28, A31	804C .....A23	843 .....A27	911-1 .....A16, A30	969 .....A64
707RAC .....A22, A28, A31	805C .....A23	844 .....A56	911-11 .....A27, A31	970RAC .....A64
708 .....A22, A28	806C .....A23	845 .....A56	911-12 .....A26, A30	971 .....A53, A58
709 .....A22, A28	807C .....A23	846 .....A56	911-15 .....A30	972 .....A29
722 .....A43	808 .....A24	847 .....A56	911-16 .....A28, A31	973 .....A66
724 .....A43	808C .....A23	848 .....A56	911-17 .....A28, A31	974 .....A55
727 .....A42	808U .....A24	849 .....A56	911-2 .....A16, A30	975 .....A66
729 .....A43	809 .....A24	850 .....A56	911-3 .....A13, A30	976 .....A64
731 .....A43	809C .....A23	851 .....A56	911-4 .....A14, A30	977 .....A64
732 .....A42	809U .....A24	855 .....A28, A31, A33	911-6 .....A12, A30	978 .....A61, A79
737 .....A42	810C .....A23	856 .....A29	911-8 .....A20, A31	979 .....A29
752 .....A20	811C .....A23	857 .....A29	911-9 .....A10, A30	980 .....A61, A79
753 .....A20	812C .....A23	858 .....A29	915 .....A24	981 .....A33
756 .....A22	813C .....A23	859 .....A28, A31, A33	915C .....A23	982 .....A66
757 .....A22	814 .....A24	860 .....A45	918 .....A57	983 .....A66
758 .....A22	814C .....A23	861 .....A45	920 .....A63	984 .....A66
759 .....A22	815C .....A23	862 .....A45	922 .....A63	990 .....A65



INDEX (Catalog Number)

991 .....A65	1132 ..... B41	1204 ..... B38	1302 ..... B45	1376 ..... B88
992 .....A66	1133 ..... B41	1205 ..... B38	1303 ..... B45	1377 ..... B88
993 .....A66	1134 ..... B41	1206 ..... B38	1304 ..... B45	1378 ..... B88
994 .....A66	1135 ..... B41	1207 ..... B38	1305 ..... B45	1379 ..... B88
996 .....A66	1136 ..... B41	1208 ..... B38	1306 ..... B45	1380 ..... B88
997 .....A66	1138 ..... B41	1209 ..... B38	1308 ..... B45	1381 ..... B88
998 .....A66	1141 ..... B34	1210 ..... B38	1310 ..... B23, B45	1382 ..... B88
1001 ..... B36	1142 ..... B34	1211 ..... B38	1312 ..... B23, B45	1383 ..... B88
1002 ..... B36	1143 ..... B34	1212 ..... B42	1314 ..... B23, B45	1384 ..... B88
1003 ..... B36	1144 ..... B34	1213 ..... B42	1316 ..... B23, B45	1385 ..... B88
1004 ..... B36	1145 ..... B34	1214 ..... B42	1332 ..... B43	1386 ..... B88
1005 ..... B36	1146 ..... B34	1215 ..... B42	1333 ..... B43	1387 ..... B88
1006 ..... B36	1147 ..... B34	1216 ..... B42	1334 ..... B43	1389 ..... B88
1008 ..... B36	1148 ..... B34	1218 ..... B42	1335 ..... B43	1390 ..... B88
1010 ..... B36	1149 ..... B34	1219 ..... B36	1336 ..... B43	1391 ..... B88
1012 ..... B36	1150 ..... B34	1220 ..... B36	1337 ..... B22, B43	1392 ..... B88
1014 ..... B36	1151 ..... B34	1222 ..... B42	1338 ..... B43	1393 ..... B88
1016 ..... B36	1152 ..... B34	1223 ..... B42	1339 ..... B22, B43	1394 ..... B88
1020 ..... B36	1153 ..... B34	1224 ..... B42	1340 ..... B22, B43	1402 ..... B39
1024 ..... B36	1154 ..... B34	1225 ..... B42	1341 ..... B22, B43	1403 ..... B39
1037 ..... B86	1155 ..... B34	1226 ..... B42	1342 ..... B21, B46	1404 ..... B39
1039 ..... B86	1156 ..... B34	1228 ..... B42	1343 ..... B21, B46	1405 ..... B39
1040 ..... B86	1160 ..... B35	1230 ..... B42	1344 ..... B21, B46	1406 ..... B39
1041 ..... B86	1161 ..... B35	1232RAC..... B42	1345 ..... B21, B46	1408 ..... B39
1042 ..... B86	1162 ..... B35	1234 ..... B42	1346 ..... B21, B46	1410 ..... B39
1043 ..... B86	1168 ..... B35	1236 ..... B42	1347 ..... B21, B46	1412 ..... B39
1044 ..... B86	1169 ..... B35	1242 ..... B37	1348 ..... B21, B46	1414 ..... B39
1045 ..... B86	1175 ..... B35	1243 ..... B37	1349 ..... B21, B46	1416 ..... B39
1046 ..... B86	1176 ..... B35	1244 ..... B37	1350 ..... B21, B46	1420 ..... B39
1048 ..... B86	1177 ..... B35	1245 ..... B37	1351 ..... B21, B46	1424 ..... B39
1102RAC..... B40	1185 ..... B35	1246 ..... B37	1352 ..... B18, B31	1432 ..... B19, B31
1103 ..... B40	1186 ..... B35	1248 ..... B37	1353 ..... B18, B31	1433 ..... B19, B31
1104 ..... B40	1192 ..... B36	1250 ..... B37	1354 ..... B18, B31	1434 ..... B19, B31
1105 ..... B40	1193 ..... B36	1252 ..... B37	1365 ..... B88	1440B35.... B67, B70, B90
1106 ..... B40	1194 ..... B36	1254 ..... B37	1366 ..... B88	1441B35... B67, B70, B90
1108 ..... B40	1195 ..... B36	1256 ..... B37	1367 ..... B88	1442B20.... B67, B70, B90
1110 ..... B40	1196 ..... B36	1262DC..... B42	1368 ..... B88	1443B16.... B67, B70, B90
1112 ..... B40	1197 ..... B36	1263DC..... B42	1369 ..... B88	1447B35... B67, B70, B90
1114 ..... B40	1198 ..... B36	1264DC..... B42	1370 ..... B88	1452 ..... B90
1116 ..... B40	1199 ..... B36	1290 ..... B42	1371 ..... B88	1453 ..... B90
1126 ..... B41	1200 ..... B36	1292RAC..... B42	1372 ..... B88	1454 ..... B90
1127 ..... B41	1201 ..... B36	1294 ..... B42	1373 ..... B88	1455 ..... B90
1128 ..... B41	1202 ..... B38	1296 ..... B42	1374 ..... B88	1456 ..... B90
1129 ..... B41	1203 ..... B38	1301 ..... B45	1375 ..... B88	1458 ..... B90



INDEX (Catalog Number)

1482 .....B20, B67	1804 ..... B26	2003-FBAR .....A83	2060 ..... B84	2128 ..... B3
1483 .....B20, B67	1805 ..... B26	2003US ..... B3	2061 ..... B84	2128US ..... B3
1484 .....B20, B67	1806 ..... B26	2004 ..... B3	2072 ..... B17	2140 ..... B3, B24
1502 ..... B30	1807 ..... B26	2004-8..... B3	2073 ..... B17	2140US ..... B3 B24
1503 ..... B30	1808 ..... B26	2004US ..... B3	2081 ..... B70, B75	2142 ..... B3, B24
1504 ..... B30	1809 ..... B26	2005 ..... B3	2082 ..... B22	2142US ..... B3, B24
1505 ..... B30	1810 ..... B26	2005US ..... B3	2083 ..... B22	2144 ..... B3, B24
1506 ..... B30	1811 ..... B26	2006 ..... B3	2084 ..... B22	2144US ..... B3, B24
1508 ..... B30	1812 ..... B26	2006US ..... B3	2085 ..... B22	2146 ..... B3, B24
1510 ..... B30	1813 ..... B26	2008 ..... B	2086 ..... B22	2146US ..... B3, B24
1512 ..... B30	1814 ..... B26	2008US ..... B3	2088 ..... B22	2150 ..... B4, B25
1514 ..... B30	1815 ..... B26	2011-FBAR .....A83	2092 ..... B22	2150US ..... B4, B25
1516 ..... B30	1816 ..... B26	2022 ..... B4	2093 ..... B22	2152 ..... B4, B25
1520 ..... B30	1822 ..... B27	2022-8..... B4	2094 ..... B22	2152US ..... B4, B25
1524 ..... B30	1823 ..... B27	2022US ..... B4	2095 ..... B22	2154 ..... B4, B25
1552 .....B32, B66	1824 ..... B27	2023 ..... B4	2096 ..... B22	2154US ..... B4, B25
1553 .....B32, B66	1825 ..... B27	2023-8..... B4	2098 ..... B22	2156 ..... B4, B25
1554 .....B32, B66	1826 ..... B27	2023US ..... B4	2101 ..... B61	2156US ..... B4, B25
1662 ..... B90	1828 ..... B27	2024 ..... B4	2102 ..... B61	2160 ..... B3, B24
1663 ..... B90	1830 ..... B27	2024-8..... B4	2102-8..... B61	2160US ..... B3, B24
1664 ..... B90	1832 ..... B27	2024US ..... B4	2103 ..... B61	2162RAC..... B3, B24
1665 ..... B90	1834 ..... B27	2025 ..... B4	2103-8..... B61	2162US ..... B3, B24
1666 ..... B90	1836 ..... B27	2025US ..... B4	2104 ..... B61	2164 ..... B3, B24
1668 ..... B90	1941 ..... B20, B66	2026 ..... B4	2104-8..... B61	2164US ..... B3, B24
1670 ..... B90	1942 ..... B20, B66	2026US ..... B4	2105 ..... B61	2166 ..... B3, B24
1672 ..... B90	1942-8..... B20, B66	2027-FBAR .....A83	2106 ..... B61	2166US ..... B3, B24
1674 ..... B90	1943 ..... B20, B66	2028 ..... B4	2108 ..... B61	2191 ..... B64, B68
1676 ..... B90	1943-8..... B20, B66	2028US ..... B4	2110 ..... B61	2192 ..... B64, B68
1702 ..... B33	1952 ..... B16	2041 ..... B84	2112 ..... B61	2193 ..... B64, B68
1703 ..... B33	1953 ..... B16	2041TH ..... B84	2114 ..... B61	2194 ..... B64, B68
1704 ..... B33	1961 ..... B10	2052 ..... B84	2116 ..... B61	2195RAC..... B64
1705 ..... B33	1962 ..... B10	2052TH ..... B84	2122 ..... B3	2196RAC..... B64
1706 ..... B33	1982 ..... B10	2053 ..... B84	2122-8..... B3	2198 ..... B64
1708 ..... B33	1983 ..... B10	2053TH ..... B84	2122US ..... B3	2201 ..... B63, B69
1710 ..... B33	1992 ..... B9	2054 ..... B84	2123 ..... B3	2202 ..... B63, B69
1712 ..... B33	1993 ..... B9	2054TH ..... B84	2123-8..... B3	2202-8..... B63, B69
1714 ..... B33	2000W..... E14	2055 ..... B84	2123US ..... B3	2203 ..... B63, B69
1716 ..... B33	2001RAC..... A77	2055TH ..... B84	2124 ..... B3	2203-8..... B63, B69
1722 ..... B28	2002 ..... B3	2056 ..... B84	2124-8..... B3	2204 ..... B63
1723 ..... B28	2002-8..... B3	2056TH ..... B84	2124US ..... B3	2204-8..... B63
1762 ..... B12	2002-FBAR .....A83	2057 ..... B84	2125 ..... B3	2205 ..... B63
1763 ..... B12	2002US ..... B3	2058 ..... B84	2125US ..... B3	2206 ..... B63
1802 ..... B26	2003 ..... B3	2058TH ..... B84	2126 ..... B3	2208 ..... B63
1803 ..... B26	2003-8..... B3	2059 ..... B84	2126US ..... B3	2210 ..... B63



INDEX (Catalog Number)

2212 ..... B63	2353RC..... B85	2504 ..... B83	2654 ..... B29	2801 ..... B72
2214 ..... B63	2354RC..... B85	2505 ..... B83	2655 ..... B29	2802 ..... B15
2216 ..... B63	2355RC..... B85	2507 ..... B83	2661 ... B66, B68, B73, B77	2803 ..... B15
2221 ..... B64	2356RC..... B85	2508 ..... B83	2662 ..... B29	2804 ..... B15
2222 ..... B64	2358RC..... B85	2510 ..... B84	2663 ..... B29	2805 ..... B15
2232 ..... B44	2360RC..... B85	2511 ..... B65, B68	2664RAC..... B29	2806 ..... B15
2233 ..... B44	2362RC..... B85	2512 ..... B83	2670 ..... B12	2808 ..... B15
2234 ..... B44	2364RC..... B85	2513 ..... B83	2672 ..... B12	2822 ..... B14
2235 ..... B44	2366RC..... B85	2522 ..... B83	2674 ..... B12	2823 ..... B14
2236 ..... B44	2400W..... E14	2523 ..... B83	2676 ..... B12	2824 ..... B14
2238 ..... B44	2402 ..... B78	2524 ..... B84	2691 ..... B64, B69	2825 ..... B14
2239 ..... B22, B44	2403 ..... B78	2536 ..... B84	2692 ..... B64, B69	2826 ..... B14
2240 ..... B22, B44	2404 ..... B78	2538 ..... B84	2693 ..... B64, B69	2828 ..... B14
2241 ..... B22, B44	2405 ..... B78	2570W..... E16	2694 ..... B64	2832 ..... B15
2242 ..... B22, B44	2406 ..... B78	2602 ..... B11	2695 ..... B64	2833 ..... B15
2245-2..... B44	2408 ..... B78	2603 ..... B11	2696 ..... B64	2834 ..... B15
2246-2..... B44	2410 ..... B78	2604 ..... B11	2698 ..... B64	2835 ..... B15
2252 ..... B23, B67	2412 ..... B78	2605 ..... B11	2700 ..... B71	2836 ..... B15
2253 ..... B23, B67	2414 ..... B78	2606 ..... B11	2700-8..... B71	2838 ..... B15
2254 ..... B23	2416 ..... B78	2608 ..... B11	2700AJ ..... B71	2840 ..... B15
2272 ..... B65	2430 ..... B78	2611 ..... B66, B69, B73	2700AJ-8 ..... B71	2842 ..... B15
2273 ..... B65	2440 ..... B78	2622 ..... B12	2701 ..... B71	2844 ..... B15
2281 ..... B65	2441 ..... B82	2623 ..... B12	2701-8..... B71	2846 ..... B15
2282 ..... B65	2442 ..... B82	2624 ..... B12	2702 ..... B18	2853 ..... B81
2283 ..... B65	2443 ..... B82	2625 ..... B12	2703 ..... B18	2854 ..... B81
2302EC ..... B85	2444 ..... B82	2626 ..... B12	2709 ..... B87	2855 ..... B81
2303EC ..... B85	2452 ..... B53, B89	2628 ..... B12	2709-9..... B87	2856 ..... B81
2304EC ..... B85	2452-8..... B53, B89	2632 ..... B65	2710 ..... B87	2858 ..... B81
2305EC ..... B85	2453 ..... B53, B89	2634 ..... B11	2711 ..... B77	2863 ..... B77, B81
2306EC ..... B85	2453-8..... B53, B89	2635 ..... B11	2712 ..... B87	2864 ..... B77, B81
2308EC ..... B85	2454 ..... B53, B89	2636 ..... B11	2712-9..... B87	2870 ..... B14
2310EC ..... B85	2454-8..... B53, B89	2637 ..... B11	2712-9R ..... B87	2872 ..... B14
2312EC ..... B85	2455 ..... B53, B89	2638 ..... B11	2712R ..... B87	2874 ..... B14
2322PC ..... B85	2456 ..... B53, B89	2639 ..... B11	2713 ..... B87	2876 ..... B14
2323PC ..... B85	2458 ..... B53, B89	2640 ..... B11	2713R ..... B87	2890 ..... B15
2324PC ..... B85	2462 ..... B79	2642 ..... B11	2715 ..... B71	2892 ..... B15
2325PC ..... B85	2468 ..... B80	2644 ..... B11	2720 ..... B71	2894 ..... B15
2326PC ..... B85	2475 ..... B80	2646 ..... B11	2720AJ ..... B71	2896 ..... B15
2328PC ..... B85	2485 ..... B80	2648 ..... B11	2752 ..... B13	2902 ..... B5
2330PC ..... B85	2486 ..... B80	2649 ..... B11	2753 ..... B13	2902-8..... B5
2332PC ..... B85	2498 ..... B80	2650 ..... B11	2754 ..... B13	2902RT ..... B7
2334PC ..... B85	2500 ..... B84	2651 ..... B11	2762 ..... B13	2902US ..... B5
2336PC ..... B85	2500I ..... E16	2652 ..... B29	2763 ..... B13	2903 ..... B5
2352RC ..... B85	2500W..... E16	2653 ..... B29	2800 ..... B72	2903-8..... B5



INDEX (Catalog Number)

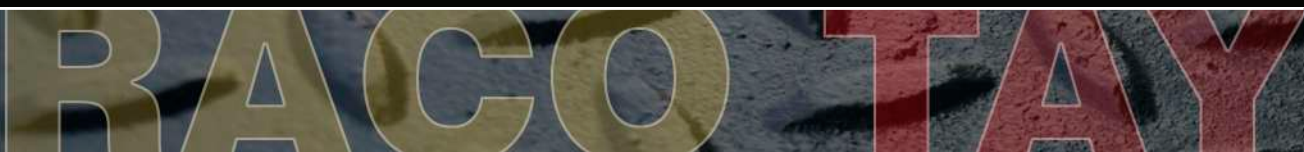
2903RT ..... B7	2924 ..... B6	2964RT ..... B7	3304DB..... B62, B74	3422-8..... B48
2903US ..... B5	2924-8..... B6	2964US ..... B5	3305 ..... B61	3422DC..... B49
2904 ..... B5	2924RT ..... B8	2966 ..... B5	3305DB..... B62, B74	3423 ..... B48
2904-8..... B5	2924US..... B6	2966RT ..... B7	3306 ..... B61	3423-8..... B48
2904RT ..... B7	2925 ..... B6	2966US..... B5	3306DB..... B62, B74	3423DC..... B49
2904US ..... B5	2925RT ..... B8	3002 ..... B24	3308 ..... B61	3424 ..... B48
2905 ..... B5	2925US..... B6	3003 ..... B24	3308DB..... B62, B74	3424-8..... B48
2905RT ..... B7	2926 ..... B6	3004 ..... B24	3310 ..... B61	3424DC..... B49
2905US ..... B5	2926RT ..... B8	3005 ..... B24	3310DB..... B62, B74	3425 ..... B48
2906 ..... B5	2926US..... B6	3006 ..... B24	3312 ..... B61	3425DC..... B49
2906RT ..... B7	2928 ..... B6	3008 ..... B24	3312DB..... B62, B74	3426 ..... B48
2906US ..... B5	2928RT ..... B8	3022 ..... B25	3314 ..... B61	3426DC..... B49
2908 ..... B5	2928US..... B6	3023 ..... B25	3314DB..... B62, B74	3428 ..... B48
2908RT ..... B7	2940 ..... B5	3024 ..... B25	3316 ..... B47, B61	3428DC..... B49
2908US ..... B5	2940RT ..... B7	3025 ..... B25	3316DB..... B62, B74	3430 ..... B48
2912 ..... B5	2940US..... B5	3026 ..... B25	3401 ..... B47	3432 ..... B48
2912-8..... B5	2942 ..... B5	3028 ..... B25	3401-8..... B47	3436 ..... B48
2912RT ..... B7	2942RT ..... B7	3201 ..... B63, B69	3401DC ..... B49	3441 ..... B47
2912US ..... B5	2942US..... B5	3201DB..... B62, B74	3402 ..... B47	3442 ..... B47
2913 ..... B5	2944 ..... B5	3202 ..... B63, B69	3402-8..... B47	3443 ..... B47
2913-8..... B5	2944RT ..... B7	3202-8..... B63, B69	3402DC..... B49	3444 ..... B47
2913RT ..... B7	2944US..... B5	3202DB..... B62, B74	3403 ..... B47	3445 ..... B47
2913US ..... B5	2946 ..... B5	3203 ..... B63, B69	3403-8..... B47	3446 ..... B47
2914 ..... B5	2946RT ..... B7	3203-8..... B63, B69	3403DC..... B49	3448 ..... B47
2914-8..... B5	2946US..... B5	3203DB..... B62, B74	3404 ..... B47	3511-3..... B50
2914RT ..... B7	2950 ..... B6	3204 ..... B63	3404-8..... B47	3511DC..... B49
2914US ..... B5	2950RT ..... B8	3204DB..... B62, B74	3404DC..... B49	3511RAC..... B47
2915 ..... B5	2950US..... B6	3205 ..... B63	3405 ..... B47	3512-3..... B50
2915RT ..... B7	2952 ..... B6	3206 ..... B63	3405DC..... B49	3512-8..... B47
2915US ..... B5	2952RT ..... B8	3208 ..... B63	3406 ..... B47	3512DC..... B49
2916 ..... B5	2952US..... B6	3210 ..... B63	3406DC..... B49	3512RAC..... B47
2916RT ..... B7	2954 ..... B6	3212 ..... B63	3408 ..... B47	3513-3..... B50
2916US ..... B5	2954RT ..... B8	3214 ..... B63	3408DC..... B49	3513-8..... B47
2918 ..... B5	2954US..... B6	3216 ..... B63	3410 ..... B47	3513DC..... B49
2918RT ..... B7	2956 ..... B6	3301 ..... B61	3410DC..... B49	3513RAC..... B47
2918US ..... B5	2956RT ..... B8	3301DB..... B62, B74	3412 ..... B47	3514-3..... B50
2922 ..... B6	2956US..... B6	3302 ..... B61	3412DC..... B49	3514-8..... B47
2922-8..... B6	2960 ..... B5	3302-8..... B61	3414 ..... B47	3514DC..... B49
2922RT ..... B8	2960RT ..... B7	3302DB..... B62, B74	3416 ..... B47	3514RAC..... B47
2922US ..... B6	2960US..... B5	3303 ..... B61	3416DC..... B49	3515-3..... B50
2923 ..... B6	2962 ..... B5	3303-8..... B61	3421 ..... B48	3515DC..... B49
2923-8..... B6	2962RT ..... B7	3303DB..... B62, B74	3421-8..... B48	3515RAC..... B47
2923RT ..... B8	2962US..... B5	3304 ..... B61	3421DC..... B49	3516 ..... B47
2923US ..... B6	2964 ..... B5	3304-8..... B61	3422 ..... B48	3516-3..... B50



INDEX (Catalog Number)

3516DC..... B49	3552-3..... B52	3792-2..... B58	4726 ..... B54	4899-9..... B79
3518 ..... B47	3552DC..... B49	3792-3..... B58	4728 ..... B54	5000W..... E15
3518-3..... B50	3554DC..... B49	3792-4..... B58	4731 ..... B55	5001-0..... D12
3518DC..... B49	3556 ..... B48	3792-5..... B58	4732 ..... B55	5002-0..... D12
3520 ..... B47	3556-3..... B52	3792-6..... B58	4732-8..... B55	5017-0..... D29
3520-3..... B50	3556DC..... B49	3793-1..... B58	4733 ..... B55	5019-0..... D29
3520DC..... B49	3561 ..... B47	3793-2..... B58	4733-8..... B55	5020-0..... D29
3522 ..... B47	3561-3..... B51	3793-3..... B58	4734 ..... B55	5026-0..... D12
3522-3..... B50	3562 ..... B47	3793-4..... B58	4734-8..... B55	5027-0..... D12
3522DC..... B49	3562-3..... B51	3793-5..... B58	4741 ..... B56	5028-0..... D12
3524 ..... B47	3563 ..... B47	3793-6..... B58	4742 ..... B56	5028-5..... D12
3524-3..... B50	3563-3..... B51	3802RAC..... B26	4743 ..... B56	5028-6..... D12
3524DC..... B49	3564 ..... B47	3803RAC..... B26	4744 ..... B56	5029-0..... D12
3526 ..... B47	3564-3..... B51	3804RAC..... B26	4745 ..... B56	5030-0..... D12
3526-3..... B50	3565 ..... B47	3805RAC..... B26	4746 ..... B56	5031-0..... D12
3526DC..... B47	3565-3..... B51	3806RAC..... B26	4748 ..... B56	5032-0..... D16
3541-3..... B52	3566 ..... B47	3808RAC..... B26	4751 ..... B56	5033-0..... D16
3541DC..... B49	3566-3..... B51	4000W..... E14	4752 ..... B56	5034-0..... D16
3541RAC..... B48	3568 ..... B47	4400W..... E14	4753 ..... B56	5036-0..... D16
3542 ..... B48	3568-3..... B51	4440W..... E14	4754 ..... B56	5038-0..... D16
3542-3..... B52	3702-1..... B57	4699-5..... B59	4799-1..... B79	5040-0..... D16
3542-8..... B48	3702-2..... B57	4700-5..... B59	4799-3..... B79	5041-0..... D16
3542DC..... B49	3702-3..... B57	4700-6..... B59	4801-0..... B60	5042-0..... D16
3543 ..... B48	3702-4..... B57	4702-1..... B59	4801-1..... B60	5043-0..... D16
3543-3..... B52	3702-5..... B57	4702-3..... B59	4801-2..... B60	5045-0..... D16
3543-8..... B48	3702-6..... B57	4702-4..... B59	4801-3..... B60	5070W..... E14
3543DC..... B49	3703-1..... B57	4702-5..... B59	4801-4..... B60	5091-0..... D13
3544 ..... B48	3703-2..... B57	4702-6..... B59	4801-5..... B60	5092-0..... D17
3544-3..... B52	3703-3..... B57	4703-1..... B59	4802-4..... B60	5093-0..... D18
3544-8..... B48	3703-4..... B57	4703-2..... B59	4802-5..... B60	5094-0..... D14
3544DC..... B49	3703-5..... B57	4703-3..... B59	4802-8..... B60	5095-0..... D13
3545 ..... B48	3703-6..... B57	4703-4..... B59	4802-9..... B60	5096-0..... D17
3545-3..... B52	3704-1..... B57	4704-3..... B59	4803-2..... B60	5097-0..... D18
3545DC..... B49	3704-2..... B57	4704-5..... B59	4803-3..... B60	5098-0..... D17
3546 ..... B48	3704-3..... B57	4704-6..... B59	4803-4..... B60	5101-0..... D14
3546-3..... B52	3705-1..... B57	4714 ..... B76	4803-5..... B60	5101-1..... D14
3546DC..... B49	3705-2..... B57	4721 ..... B54	4803-8..... B60	5101-2..... D14
3548 ..... B48	3705-3..... B57	4722 ..... B54	4803-9..... B60	5101-5..... D14
3548-3..... B52	3706-1..... B57	4722-8..... B54	4804-0..... B60	5101-6..... D14
3548DC..... B49	3706-2..... B57	4723 ..... B54	4804-1..... B60	5101-7..... D14
3550 ..... B48	3782-2..... B57	4723-8..... B54	4804-2..... B60	5102-0..... D14
3550-3..... B52	3782-5..... B57	4724 ..... B54	4804-3..... B60	5103-0..... D13
3550DC..... B49	3782-6..... B57	4724-8..... B54	4804-4..... B60	5103-1..... D13
3552 ..... B48	3792-1..... B58	4725 ..... B54	4804-5..... B60	5103-2..... D13





INDEX (Catalog Number)

5103-5..... D13	5175-1..... D20	5269-10..... D28	5361-5..... D8	5621-6..... D25
5103-6..... D13	5175-2..... D20	5270-0..... D28	5361-6..... D8	5624-0..... D25
5103-7..... D13	5175-5..... D20	5270-1..... D28	5361-7..... D8	5624-1..... D25
5104-0..... D13	5177-0..... D20	5270-5..... D28	5363-0..... D8	5624-2..... D25
5121-0..... D21	5180-0..... D14	5270-9..... D28	5372-0..... D8	5624-5..... D25
5121-1..... D21	5180-1..... D14	5271-0..... D28	5374-0..... D9	5624-6..... D25
5121-2..... D21	5180-2..... D14	5302-0..... D29	5385 0..... D4	5625-0..... D25
5121-5..... D21	5180-5..... D14	5320-0..... D4	5386-0..... D4	5625-1..... D25
5124-0..... D21	5180-6..... D14	5320-1..... D4	5387-0..... D4	5625-2..... D25
5125-0..... D21	5180-7..... D14	5320-2..... D4	5388-0..... D6	5625-5..... D25
5126-0..... D21	5181-0..... D14	5320-5..... D4	5389-0..... D6	5625-6..... D25
5128-0..... D21	5186-0..... D22	5320-6..... D4	5390-0..... D7	5625-7..... D25
5132-0..... D17	5186-1..... D22	5320-7..... D4	5399-0..... D5	5638-5..... D28
5133-0..... D17	5186-2..... D22	5320-9..... D4	5400-0..... D5	5652-1..... A43, D29
5137-0..... D21	5186-5..... D22	5321-0..... D4	5400-5..... D5	5653-1..... A43, D29
5138-0..... D17	5186-6..... D22	5321-1..... D4	5403-0..... D5	5654-1..... A43, D29
5141-0..... D21	5186-7..... D22	5321-2..... D4	5405-0..... D5	5694-0..... D27
5141-5..... D21	5189-0..... D22	5321-5..... D4	5406-0..... D5	5695-0..... D27
5145-0..... D17	5189-1..... D22	5321-6..... D4	5407-0..... D7	5712-5..... D14
5146-0..... D13	5189-2..... D22	5322-0..... D4	5412-0..... D5	5792-0..... D24
5146-1..... D13	5189-5..... D22	5323 0..... D4	5413-0..... D5	5802-0..... D10
5146-5..... D13	5189-6..... D22	5324-0..... D4	5414-0..... D5	5818-5..... D26
5147-0..... D13	5189-7..... D22	5324-1..... D4	5415-0..... D5	5818-6..... D26
5148-0..... D17	5193-0..... D22	5324-5..... D4	5500W..... E15	5820-8..... D24
5148-5..... D17	5193-1..... D22	5330-0..... D4	RAC5500KIT..... A91, A94	5829-5..... D26
5152-0..... D14	5193-2..... D22	5331-0..... D4	5511..... A92	5829-6..... D26
5153-0..... D14	5193-5..... D22	5332-0..... D4	5550W..... E15	5830-0..... D10
5155-0..... D13	5193-6..... D22	5333-0..... D6	5555W..... E15	5839-5..... D19
5155-1..... D13	5193-7..... D22	5334-0..... D6	5574..... A92	5839-5WRTR..... D19
5155-5..... D13	5197-0..... D22	5335-0..... D6	5606-0..... D23	5839-6..... D19
5155-6..... D13	5197-1..... D22	5337-0..... D6	5606-1..... D23	5839-6WRTR..... D19
5157-0..... D17	5197-2..... D22	5337-1..... D6	5606-2..... D23	5839-7..... D19
5160-0..... D17	5197-5..... D22	5337-5..... D6	5606-5..... D23	5839-7WRTR..... D19
5166-0..... D21	5197-6..... D22	5338-0..... D6	5606-6..... D23	5841-5..... D26
5166-5..... D21	5197-7..... D22	5340-0..... D6	5606-7..... D23	5841-6..... D26
5167-0..... D21	5201-0..... D21	5341-0..... D6	5611-0..... D23	5852-0..... D10
5173-0..... D20	5236..... A96	5342-0..... D6	5612-0..... D23	5861-0..... D10
5173-1..... D20	5269-0..... D28	5343-0..... D6	5613-0..... D23	5874-5..... D19
5173-2..... D20	5269-1..... D28	5345-0..... D6	5613-1..... D23	5874-6..... D19
5173-5..... D20	5269-2..... D28	5346-0..... D6	5613-2..... D23	5876-0..... D10
5173-6..... D20	5269-5..... D28	5348-0..... D6	5615-0..... D23	5876-5..... D26
5173-7..... D20	5269-6..... D28	5361-0..... D8	5620-0..... D25	5876-6..... D26
5174-0..... D20	5269-7..... D28	5361-1..... D8	5621-0..... D25	5876-7..... D26
5175-0..... D20	5269-9..... D28	5361-2..... D8	5621-5..... D25	5880-0..... D10



INDEX (Catalog Number)

5881-0..... D10	6269 .....A99	6414 .....F5	7825 .....A81	8524 .....A49
5883-5..... D26	6275 .....A99	6415 .....F5	7826RAC.....A81	8590 .....A48
5883-6..... D26	6280 .....A91, A94	6416 .....F5	7835RAC.....A76	8601 .....A51
5884-8..... D27	6284 .....A94	6417 .....F5	7846RAC.....A76	8650 .....A44
5885-0..... D10	6285 .....A94	6418 .....F5	7848RAC.....A76	8660 .....A44
5893-8..... D27	6287 .....A94	6419 .....F5	7873RAC.....A75	8663 .....A44
6150 .....F7	6288 .....A100	6420 .....F5	7874RAC.....A76	8670 .....A45
6205 .....A94, A101	6289 .....A100	6424 .....F3	7887RAC.....A78	8695 .....A58
6206 .....A94, A101	6291 .....A100	6425 .....F3	7907 .....A81	8703-5.....A42
6208 .....A101	6292 .....A100	6426 .....F4	7919RAC.....A80	8722-5.....A43
6209 .....A101	6293 .....A100	6427 .....F4	7922RAC.....A78	8724-5.....A43
6223 .....A95	6294 .....A100	6428 .....F4	8125 .....A38	8731-5.....A43
6224 .....A95	6295 .....A100	6431 .....F4	8189 .....A10	8752 .....A20
6225 .....A101	6296 .....A100	6436 .....F2	8190 .....A9	8752-5.....A20
6226 .....A101	6297 .....A100	6437 .....F2	8191 .....A9	8753 .....A20
6228 .....A101	6298 .....A94	6441 .....F6	8192 .....A9	8753-5.....A20
6230 .....A94	6299 .....A93	6445 .....F3	8193 .....A11	8756 .....A22
6233 .....A93	6300 .....A102	6446 .....F3	8196 .....A11	8767 .....A22
6234 .....A92	6301 .....A102	6447 .....F3	8197 .....A11	8768 .....A20
6235 .....A94	6310 .....A102	6448RAC.....F3	8201 .....A12	8769 .....A21
6236 .....A96	6311 .....A102	6500BR.....A96	8203 .....A12	8771 .....A20
RP6236BP.....A96	6312 .....A102	RP6500BR.....A96	8206RAC.....A31	8772 .....A20
6237 .....A101	6313 .....A102	6500NI.....A96	8208 .....A11	8773 .....A20
6238 .....A101	6314 .....A102	RP6500NI.....A96	8211 .....A19	8775 .....A20
6239BK.....A96	6315 .....A102	6RF151SR.....A96	8213 .....A17	8777-0.....A21
6239BP.....A96	6351 .....F6	7119RAC.....A80	8218 .....A17	8778 .....A21
6239NI.....A96	6352 .....F3	7120 .....A81	8231 .....A13	8779 .....A21
6239SS.....A96	6353 .....F3	7120-1.....A81	8232 .....A13	8781 .....A21
6244 .....A92	6354 .....F2	7120VB.....A81, A83	8232HWP.....A14	8833-5.....A27
6245 .....A93	6355 .....F2	7122RAC.....A78	8233 .....A13	8837 .....A27
6249 .....A94	6356 .....F3	7220RAC.....A79	8235 .....A14	8973-1.....A66
6250 .....A100	6357 .....F3	7232RAC.....A79	8240 .....A19	8975-1.....A66
6254 .....A93	6358 .....F4	7302RAC.....A75	8241 .....A18	8977 .....A63
6255 .....A97	6395 .....F7	7307 .....A81	8257 .....A26	8977-5.....A63
6256 .....A98	6401 .....F2, F7	7308RAC.....A77	8257SP.....A26	8983-1.....A66
6257 .....A97	6402 .....F2, F7	7318RAC.....A77	8265 .....A26	8996-1.....A66
6258 .....A98	6403 .....F2, F7	7320 .....A82	8265SP.....A26	8998-1.....A66
6259 .....A93	6404 .....F2, F7	7321 .....A82	8292 .....A36	9001 .....A61
6260 .....A93	6405 .....F2, F7	7488RAC.....A78	8293 .....A36	9002 .....A61
6261 .....A97	6409RAC.....F6	7645RAC.....A76	8325 .....A40	9004R.....A61
6262 .....A98	6410RAC.....F5	7717RAC.....A77	8326 .....A41	9006R.....A61
6263 .....A97	6411 .....F5	7820RAC.....A75	8355 .....A51	9008 .....A62
6264 .....A98	6412 .....F6	7823RAC.....A80	8500 .....A47	9009 .....A62
6268 .....A93	6413 .....F5	7824RAC.....A80	8504 .....A47	9010 .....A62



INDEX (Catalog Number)

9013R .....A61	LHS100Z ..... D23	MM410C ..... C4	NEC350..... C14	RLC150..... C13
9015R .....A61	LPB3325 ..... E4	MM410CA ..... C4	NEC400..... C14	RLC200..... C13
9016 .....A61	LPB3400 ..... E4	MM410CW..... C4	PBC100GY ..... D31	RLC250..... C13
9017 .....A62	LTS100S ..... D23	MM410G ..... C4	PBC100WH..... D31	RLC300..... C13
9018 .....A61	LTS100WH..... D23	MM410W..... C4	PBC200GY ..... D31	RLC350..... C13
A00W.....E18	LTS100Z ..... D23	MM420C ..... C4	PBC200WH..... D31	RLC400..... C13
A1000W .....E17	MD1050S ..... C9	MM420G ..... C4	PBC300GY ..... D31	RLL050..... C13
A10W.....E18	MD1250S ..... C9	MM510C ..... C4	PBC300WH..... D31	RLL075..... C13
A12W.....E18	MD410C ..... C8	MM510G ..... C4	PCP47550GY..... D33	RLL100..... C13
A2000W .....E17	MD450G ..... C8	MM710C ..... C4	PCP47550WH..... D33	RLL125..... C13
A20W.....E18	MD510C ..... C8	MM710G ..... C4	PDB77550GY ..... D30	RLL150..... C13
A3000W .....E17	MD5802-1..... C9	MM720C ..... C4	PDB77550WH ..... D30	RLL200..... C13
A30W.....E18	MD5881-1..... C9	MM720G ..... C4	PE100 ..... D28	RLL250..... C13
A4000W .....E17	MG1050S ..... C9	MM7440C ..... C5	PLTS100GY..... D32	RLL300..... C13
A40W.....E18	MG1250S ..... C9	MM7440G ..... C5	PLTS100WH..... D32	RLL350..... C13
A50W.....E18	MG410C ..... C8	MX1050S ..... D11	PLV330GY ..... D32	RLL400..... C13
A52W.....E18	MG420C ..... C8	MX1050W ..... D11	PLV330WH..... D32	RLR050..... C13
A54W.....E18	MG450G ..... C8	MX1050Z ..... D11	PRB57550GY ..... D30	RLR075..... C13
A66W.....E18	MG510C ..... C8	MX1250S ..... D11	PRB57550WH ..... D30	RLR100..... C13
A72W.....E18	MG5802-1..... C9	MX1250W ..... D11	PRBA400G ..... C12	RLR125..... C13
AD10W .....E15	MG5881-1..... C9	MX1250Z ..... D11	PSB37550GY..... D30	RLR150..... C13
AD20W .....E15	MK1250S ..... D19	MX1550S ..... D11	PSB37550WH..... D30	RLR200..... C13
AD40W .....E15	MK1250WH ..... D19	MX2050S ..... D15	PTC100GY ..... D31	RLR250..... C13
AD42W .....E15	MKG410C..... C8	MX2050WH ..... D15	PTC100WH ..... D31	RLR300..... C13
AD50W .....E15	MKG420C..... C8	MX2050Z ..... D15	PTC200GY ..... D31	RLR350..... C13
AD60W .....E15	MKG4280S ..... C9	MX2150S ..... D15	PTC521GY ..... D31	RLR400..... C13
AD70W .....E15	ML450G ..... C7	MX3050S ..... D18	PTC521WH ..... D31	RLT050..... C13
AD90W .....E15	ML450W ..... C7	MX3200 ..... C10	RAC5500KIT..... A91, A94	RLT075..... C13
AD93W .....E15	ML450Z..... C7	MX3300 ..... C10	RACIBB ..... B83	RLT100..... C13
CS1RAC .....A62	ML500G ..... C7	MX4280S ..... C11	RACIBB-5..... B83	RLT125..... C13
CS2RAC .....A62	ML500W ..... C7	MX4280WH ..... C11	RLB050..... C13	RLT150..... C13
DA28 .....E20	ML500Z..... C7	MX4280Z ..... C11	RLB075..... C13	RLT200..... C13
DF30 .....E20	ML2450G ..... C7	MX4380S ..... C11	RLB100..... C13	RLT250..... C13
DG28.....E20	ML2500G ..... C7	MX5280S ..... C11	RLB125..... C13	RLT300..... C13
DG30.....E20	MM110C ..... C6	MX6200 ..... C10	RLB150..... C13	RLT350..... C13
DHRAC .....A63	MM110G ..... C6	MX7280S ..... C11	RLB200..... C13	RLT400..... C13
GK240 ..... C12	MM110W..... C6	NEC050..... C14	RLB250..... C13	RSLB050..... C13
GK300 ..... C12	MM1410C ..... C6	NEC075..... C14	RLB300..... C13	RSLB075..... C13
GS100 ..... C12	MM1410G ..... C6	NEC100..... C14	RLB350..... C13	RSLB100..... C13
GS400 ..... C12	MM1410W..... C6	NEC125..... C14	RLB400..... C13	RSLB125..... C13
HB75W..... C12	MM2410C ..... C5	NEC150..... C14	RLC050..... C13	RSLB150..... C13
KS1RAC.....A62	MM2410G ..... C5	NEC200..... C14	RLC075..... C13	RSLB200..... C13
LHS100S..... D23	MM2420C ..... C5	NEC250..... C14	RLC100..... C13	SBRNRRAC.....A61
LHS100W ..... D23	MM2420G ..... C5	NEC300..... C14	RLC125..... C13	SP1RAC.....A61

# TAYMAC BELL

**INDEX**

SP2RAC.....A61	WMTW-D .....E10	WRTW-BB.....E10	WSS-C.....E7	WW-BBBB .....E3
SG100S.....C12	WMTW-R .....E10	WRTW-D .....E10	WSS-D.....E7	WW-C .....E3
SL101B .....D24	WMTW-T .....E10	WRTW-DD.....E10	WSS-DD .....E7	WW-D .....E3
SPLED2Z .....D24	WMW-B .....E8	WRTW-R .....E10	WSS-R.....E7	WW-DD.....E3
WE-T .....E6	WMW-D .....E8	WRTW-RR.....E10	WSS-RR .....E7	WW-DDD .....E3
WG-T .....E6	WMW-R .....E8	WRTW-RRR .....E10	WSS-RRR .....E7	WW-DR.....E3
WI-B .....E5	WMW-T .....E8	WRTW-RRRR .....E10	WSS-RRRR .....E7	WW-R .....E3
WI-BB.....E5	WO-T .....E6	WRTW-T.....E10	WSS-SR1 .....E7	WW-RR.....E3
WI-D .....E5	WRI-B.....E11	WRTW-TD .....E10	WSS-SR2 .....E7	WW-RRR .....E3
WI-DD.....E5	WRI-BB .....E11	WRTW-TR .....E10	WSS-T .....E7	WW-RRRR .....E3
WI-R .....E5	WRI-D.....E11	WRTW-TT.....E10	WSS-TD .....E7	WW-SR1 .....E3
WI-RR.....E5	WRI-DD .....E11	WRTW-TTT .....E10	WSS-TR .....E7	WW-SR2 .....E3
WI-RRR .....E5	WRI-R.....E11	WRTW-TTTT .....E10	WSS-TT.....E7	WW-T.....E3
WI-T .....E5	WRI-RR .....E11	WRW-5R.....E8	WSS-TTT.....E7	WW-TD .....E3
WI-TD .....E5	WRI-RRR .....E11	WRW-5T .....E8	WSS-TTTT .....E7	WW-TR .....E3
WI-TR .....E5	WRI-T .....E11	WRW-6R.....E8	WSS1-2.....E7	WW-TT .....E3
WI-TT.....E5	WRI-TD.....E11	WRW-6T .....E8	WSS2-2.....E7	WW-TTT .....E3
WI-TTT .....E5	WRI-TR.....E11	WRW-B.....E8	WTI-B .....E6	WW-TTTT .....E3
WJI-D.....E13	WRI-TT .....E11	WRW-BB .....E9	WTI-BB .....E6	WW1-2 .....E3
WJI-R.....E13	WRI-TTT.....E11	WRW-BBB .....E9	WTI-D .....E6	WW2-2 .....E3
WJI-T .....E13	WRI2-2.....E11	WRW-BBBB .....E9	WTI-DD.....E6	ZTC100 .....E19
WJI-TT .....E13	WRTI-5T .....E12	WRW-D.....E8	WTI-R .....E6	ZTC200 .....E19
WJTI-D.....E13	WRTI-B.....E12	WRW-DB .....E9	WTI-RR.....E6	ZTC300 .....E19
WJTI-R.....E13	WRTI-BB.....E12	WRW-DD .....E9	WTI-RRR .....E6	
WJTI-T .....E13	WRTI-BBB .....E12	WRW-DDD .....E9	WTI-T.....E6	
WJTI-TT.....E13	WRTI-D.....E12	WRW-DR .....E9	WTI-TD .....E6	
WJTW-D .....E13	WRTI-DD.....E12	WRW-R.....E8	WTI-TR .....E6	
WJTW-R.....E13	WRTI-DR.....E12	WRW-RR .....E8	WTI-TT.....E6	
WJTW-T.....E13	WRTI-R.....E12	WRW-RRR .....E8	WTI-TTT .....E6	
WJTW-TT.....E13	WRTI-RR.....E12	WRW-RRRR .....E8	WTW-B .....E4	
WJW-D.....E13	WRTI-RRR .....E12	WRW-SR2.....E8	WTW-BB .....E4	
WJW-R.....E13	WRTI-RRRR .....E12	WRW-T .....E8	WTW-D .....E4	
WJW-T .....E13	WRTI-T .....E12	WRW-TB .....E9	WTW-DD .....E4	
WJW-TT.....E13	WRTI-TD .....E12	WRW-TD .....E9	WTW-R .....E4	
WMI-B .....E11	WRTI-TR .....E12	WRW-TR .....E9	WTW-RR .....E4	
WMI-D .....E11	WRTI-TT.....E12	WRW-TT .....E8	WTW-RRR.....E4	
WMI-R .....E11	WRTI-TTT .....E12	WRW-TTD .....E9	WTW-T.....E4	
WMI-T.....E11	WRTI-TTTT .....E12	WRW-TTR .....E9	WTW-TD .....E4	
WMTI-B .....E12	WRTI2-2.....E12	WRW-TTT.....E8	WTW-TR .....E4	
WMTI-D .....E12	WRTW-5R.....E10	WRW-TTTD .....E9	WTW-TT .....E4	
WMTI-R .....E12	WRTW-5T.....E10	WRW-TTTT .....E8	WTW-TTT .....E4	
WMTI-SR2 .....E12	WRTW-6R.....E10	WRW2-2.....E9	WW-B .....E3	
WMTI-T.....E12	WRTW-6T.....E10	WSS-B.....E7	WW-BB.....E3	
WMTW-B .....E10	WRTW-B .....E10	WSS-BB .....E7	WW-BBB .....E3	

Check out the collection of home electrical we offer.