

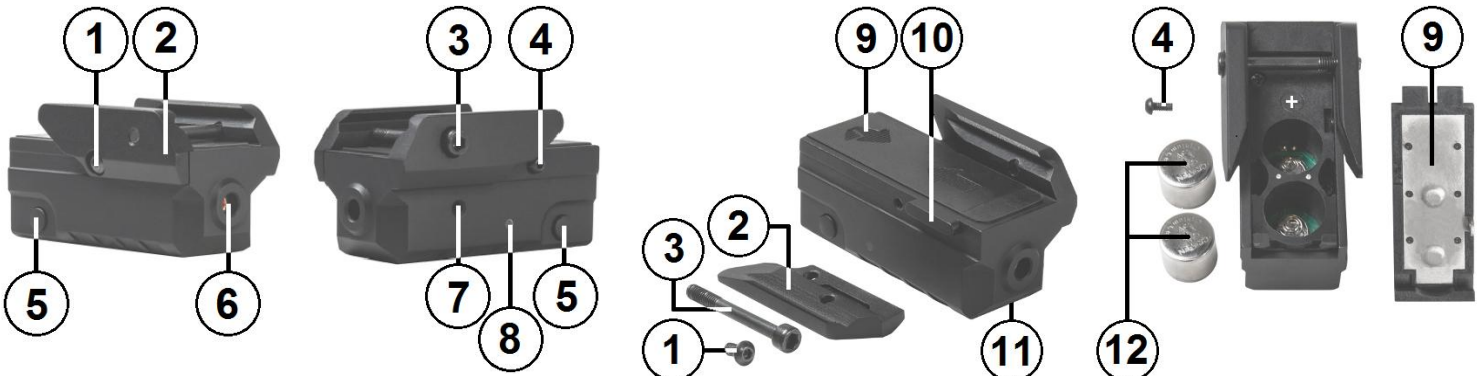
VAPRLSMCG INSTRUCTIONS

PISTOL COMPACT GREEN LASER

- ❖ **PLEASE FOLLOW ALL OF THE DIRECTIONS IN THIS MANUAL CAREFULLY.**
- ❖ **CAUTION: ALWAYS PRACTICE SAFE FIREARMS HANDLING!**
- ❖ **BE SURE THAT THE FIREARM IS UNLOADED AND SAFE BEFORE PERFORMING ANY OF THE FOLLOWING PROCEDURES!**
- ❖ **BE SURE THAT THE FIREARM IS POINTED IN A SAFE DIRECTION AT ALL TIMES!**
- ❖ **CAUTION: AVOID SHINING THE LASER INTO YOUR EYES OR INTO ANYONE ELSE'S EYES!**

FEATURES:

- Sleek compact low profile green laser design.
- Designed to be securely mounted onto most Weaver/ Picatinny style rails.
- Multifunction Ambidextrous On/Off Buttons with Strobe feature.
- Green Laser is fully adjustable for Windage and Elevation.



- 1) Side Rail Clamp Small Screw (1.5mm)
- 2) Side Rail Clamp
- 3) Allen Head Mount Bolt (2.5mm)
- 4) Battery Door Screw (1.5mm)
- 5) ON/ OFF / STROBE Multifunction Buttons
- 6) Laser Aperture
- 7) Windage Adjustment Set Screw (1.5mm)
- 8) Low Battery LED Warning Light (Red)
- 9) Battery Door
- 10) Side Rail Clamp Tab
- 11) Elevation Adjustment Set Screw (1.5mm) @ Bottom
- 12) CR 1/3N type Batteries (Two Each Required)

INSTALLATION:

To mount the Green Laser onto a Weaver/ Picatinny style rails, first unscrew and remove the larger main Allen Head Mount Bolt from the Left side of the Laser Body using the supplied Allen wrench (2.5mm). On the Right side is a smaller Allen Head Screw in the rear bottom corner of the Side Rail Clamp, using the supplied Allen wrench (1.5mm) to remove the smaller screw. Set aside the Side Rail Clamp and Allen Head Bolt and Screw in a safe place.

Place and position the Laser Body onto the firearm rail so that a recoil slot aligns up with Allen Head Mount Bolt. Insert the Allen Head Bolt through the Laser Body & firearm rail recoil slot and attach the Side Rail Clamp to the opposite side of the Laser Body. Using the 2.5mm Allen wrench to tighten the Allen Head Bolt into the Side Rail Clamp. Make sure that the Side Rail Clamp slot is interfacing with the Side Rail Clamp Tab on the right side of the laser body.

Tighten the Allen Head Bolt until it is snug. Be careful to not over-tighten the Mount Bolt or it may cause damage to the laser. Install the smaller Allen Head Screw (1.5mm) to the Side Rail Clamp. Your laser is now securely mounted and ready for use.

REMOVAL:

Use the supplied Allen Wrench to loosen (counter-clockwise) and remove the Allen Head Mount Bolt from the Left side of the Green Laser. Then remove the smaller Allen Head Screw from the Side Rail Clamp from the Right side of the Green Laser. Separate the Side Rail Clamp from the Laser Body. When you have removed the Bolt, Screw, and Side Rail Clamp the Green Laser can be removed from the **firearm's** rail.

ON/OFF/ STROBE MULTI-FUNCTION BUTTON:

The laser is equipped with Ambidextrous On/Off Buttons on the Left and Right sides of the Laser Body. First, make sure the firearm and the Green Laser is pointed in a safe direction. To turn the Green Laser ON, press either of the side Buttons to turn the laser ON, press either of the Buttons a second time to turn the Laser OFF. The Buttons will cycle the Green Laser On and Off with each press of the Buttons.

If you hold either of the Buttons down for more than a second when the Laser is turned On, the Laser will Strobe. Press and hold the Button a second time to turn the Strobe feature Off. You can cycle the Strobe Feature On and Off by pressing and holding the Button down when the Laser is On.

WINDAGE AND ELEVATION ADJUSTMENT:

❖ BE SURE THAT THE FIREARM IS UNLOADED AND SAFE BEFORE PERFORMING ANY OF THE FOLLOWING PROCEDURES!

To adjust the Windage of the laser, insert the provided Allen wrench into the Windage Set Screw located on the Left side of the laser body.

- Turn the Windage Set Screw Clockwise to adjust the laser to the Left.
- Turn the Windage Set Screw Counter-Clockwise to adjust the laser to the Right.

To adjust the Elevation of the laser, insert the provided Allen wrench into the Elevation Set Screw located on the Bottom of the laser body.

- Turn the Elevation Set Screw Clockwise to adjust the laser Down.
- Turn the Elevation Set Screw Counter-Clockwise to adjust the laser Up.

TIP: THE QUICKEST METHOD TO ZERO YOUR LASER IS TO FIRST ADJUST THE LASER TO YOUR IRON SIGHTS. THEN MAKE THE NECESSARY FINE ADJUSTMENTS AT THE SHOOTING RANGE.

BATTERY REPLACEMENT:

To replace the batteries in your laser, first make sure the laser is turned to the OFF position. The Battery Compartment is **located on top of the laser body, so if it's mounted on a firearm, you'll have to dismount the laser from the firearm.**

On the left side of the Laser Body near the top is a small Allen screw, this secures the Battery Door to the Laser Body. Remove the small Allen screw by turning it counter-clockwise. With the Battery Door screw removed, you can slide the Battery Door rearwards then pull up to remove it from the Laser Body. Please only use brand new CR 1/3N batteries with the laser. DO NOT use a different type of battery, as this may cause damage to the unit. DO NOT mix old batteries with new batteries.

Place the new batteries into the laser, making sure that both of the battery's Positive Sides (+) are facing out. Once the batteries are in place, place the Battery Door front tabs into the front slot and then slide the Battery Door forward and down until the cap is flush with the back of the Laser Body. Reinstall the Battery Door Screw onto the left side of the Laser Body. Next, test the function of the laser. If the laser does not turn ON, check to make sure that both of the batteries are installed correctly.

SPECIFICATIONS:

GREEN LASER:

- Wavelength: 532 nm
- Maximum Output Power: <5mW
- Operating Voltage: 3V DC
- Line Width: <0.1 nm
- Beam Divergence: <1mrad
- Beam diameter: <1 mm
- Operation Current: <300mA
- Operating temperature: 59 – 95 degrees Fahrenheit
- Material: Aluminum Body
- Material: Plastic Battery Door
- Finish: Black Anodized
- Battery type: CR 1/3N (3V Lithium Battery)
- Requires two each Batteries
- Length: 2.0"
- Width: 1.1"
- Overall Height: 1.1"
- Weight: 1.6 oz. (without batteries)
- Weight: 1.8 oz. (with batteries)