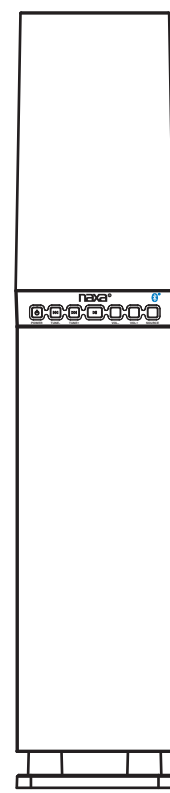




WATER DANCING MINI TOWER SPEAKER WITH BLUETOOTH
MODEL:NHS-2009



Instruction Manual

Please read this instruction manual carefully before using and keep it for future reference

1



FCC STATEMENT

This equipment has been tested and found to comply with the limits for a Class B digital device, pursuant to Part 15 of the FCC Rules. These limits are designed to provide reasonable protection against harmful interference in a residential installation. This equipment generates, uses and can radiate radio frequency energy and, if not installed and used in accordance with the instructions, may cause harmful interference to radio communications. However, there is no guarantee that interference will not occur in a particular installation. If this equipment does cause harmful interference to radio or television reception, which can be determined by turning the equipment off and on, the user is encouraged to try to correct the interference by one or more of the following measures:

- Reorient or relocate the receiving antenna.
- Increase the separation between the equipment and receiver.
- Connect the equipment into an outlet on a circuit different from that to which the receiver is connected.
- Consult the dealer or an experienced radio/TV technician for help.

This device complies with part 15 of the FCC Rules. Operation is subject to the following two conditions:

- (1) This device may not cause harmful interference, and (2) this device must accept any interference received, including interference that may cause undesired operation.

The antenna(s) used for this transmitter must be installed to provide a separation distance of at least 7.9m (20cm) from all persons and must not be co-located or operating in conjunction with any other antenna or transmitter.

Caution:
Changes or modifications not expressly approved by the party responsible for compliance could void the user's authority to operate the equipment.

Important Safety Instructions

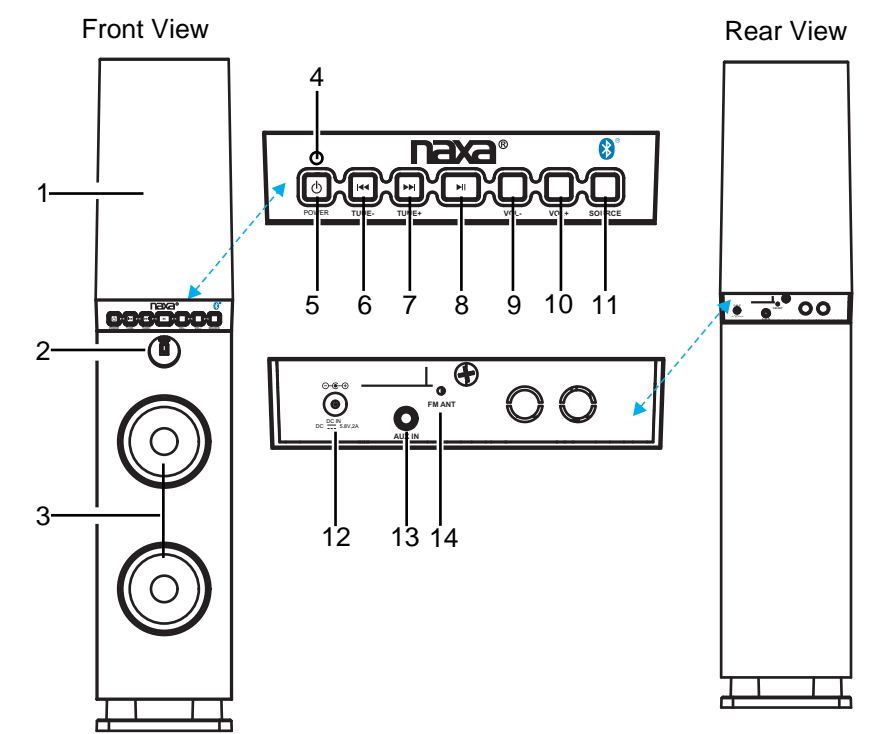
- Read these instructions.
- Keep these instructions.
- Heed all warnings.
- Follow all instructions.
- Do not use this apparatus near water. This apparatus shall not be exposed to dripping or splashing, and no objects filled with liquids, such as vases, shall be placed on the apparatus.
- Clean only with a dry cloth.
- Do not block any ventilation openings. Install in accordance with the manufacturer's instructions. The apparatus should not be situated on a bed, sofa, rug or similar surface that may block the ventilation openings. The apparatus must not be placed in a built-in installation, such as a closed bookcase or cabinet that may impede the flow of air through the ventilation openings. Ventilation should not be impeded by covering the openings with items such as newspapers, tablecloths, curtains, etc.
- Do not install near any heat sources such as radiators, heat registers, stoves, or other apparatus (including amplifiers) that produce heat. Extended exposure to temperatures higher than 170 degrees Fahrenheit, for example inside a closed vehicle during the summer, may result in damage to your product.
- No open flame sources, such as lighted candles, should be placed on the apparatus.
- Do not defeat the safety purpose of the polarized or grounding-type plug. A polarized plug has two blades with one wider than the other. A grounding type plug has two blades and a third grounding prong. The wide blade or the third prong is provided for your safety. If the provided plug does not fit into your outlet, consult an electrician for the replacement of the obsolete outlet.
- Protect the power cord from being walked on or pinched – particularly at plugs, convenience receptacles, and the point where they exit from the apparatus.
- Do not install in an area which impedes the access to the power plug. Disconnecting the power plug is the only way to completely remove power to the product and must be readily accessible at all times.
- Power source – Use only power supplies of the type specified in the operating instructions or as marked on the appliance. If a separate power supply is included with this apparatus, do not substitute with any other power supply – use only manufacturer-provided power supplies.
- Unplug this apparatus during lightning storms or when unused for long periods of time.
- If the unit will be unused for long periods of time, the batteries should be removed.

2

- Do not place this product on an unstable surface. The product may fall, causing serious injury to a child or adult and serious damage to the product. Use only with a stand, bracket, or table recommended by the manufacturer, or sold with the product. Any mounting of the product should follow the manufacturer's instructions, and should use a mounting accessory recommended by the manufacturer.
- Move the appliance with care to avoid damage or injury.
- Refer all servicing to qualified service personnel. Servicing is required when the apparatus has been damaged in any way: the power-supply cord or plug is damaged, liquid has been spilled or objects have fallen into the apparatus, the apparatus has been exposed to rain or moisture, does not operate normally, or has been dropped.
- For products which incorporate batteries, please refer to local regulations for proper battery disposal.

3

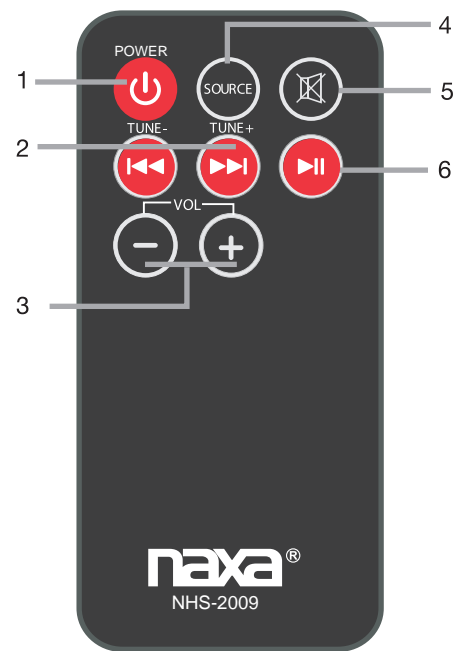
PRODUCT OVERVIEW



- Water Dancing Cover
- Remote Sensor
- Speakers
- Indicator
- ⏻ (Power) Button
- ⏮/TUNE - Button
- ⏭/TUNE + Button
- ⏩ (Play/Pause) Button
- VOL - (Volume Down)
- VOL + (Volume Up)
- SOURCE Button
- DC IN Jack
- AUX IN Jack
- FM ANT(Antenna)

4

REMOTE CONTROL AND GENERAL OPERATION



- ⏻ / POWER Button
- ⏮ / TUNE - Button
⏭ / TUNE + Button
- VOL - (Volume Down)
VOL + (Volume Up)
- SOURCE Button
- ⏩ Mute Button
- ⏩ (Play/Pause) Button

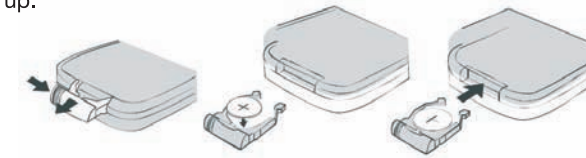
5

BATTERY INSTALLATION (REMOTE CONTROL)

Before First Use: Remove and discard the insulation tab as shown.

Battery Replacement

- Push and slide out the battery door (as shown in the figure below) on the rear of the remote control.
- Replace the battery with a new CR2025 button cell with the polarity "+" facing up.



BATTERY PRECAUTIONS

Follow these precautions when using a battery in this device:

- Use only the size and type of battery specified.
- Be sure to follow the correct polarity when installing the battery as indicated in the battery compartment, a reserved battery may cause damage to the device.
- Do not mix different types of batteries together (e.g. Alkaline and Carbon-zinc) or old batteries with fresh ones.
- If the batteries in the device are consumed or the device is not to be used for a long period of time, remove the batteries to prevent damage or injury from possible leakage.
- Do not try to recharge the battery not intended to be recharged; it can overheat and rupture. (Follow battery manufacturer's instructions.)
- The batteries shall not be exposed to excessive heat such as sunshine, fire or the like.
- Clean the battery contacts and also those of the device prior to battery installation.
- The Remote Control supplied with a coin/button cell battery. If the coin button cell battery is swallowed, it can cause severe internal burns in just 2 hours and can lead to death. Keep new and used battery away from children. If the battery compartment does not close securely, stop using the product and keep it away from children. If you think batteries might have been swallowed or placed inside any part of the body, seek immediate medical attention.

CAUTION

Danger of explosion if the battery is incorrectly replaced.
Replace only with the same or equivalent type.

EFFECTIVE DISTANCE OF REMOTE TRANSMITTER

NOTES:

- when there is an obstacle between the unit and the transmitter may not operate.
- when direct sunlight, an incandescent lamp, fluorescent lamp or any other strong light shines on the REMOTE SENSOR of the unit, the remote operation may be unstable.

6

GETTING STARTED

FM Radio Antenna

Before using your unit for FM reception, unwrap and fully extend the antenna wire. You may need to adjust the position of the antenna wire for maximum signal strength.

Connecting Power

Before connecting the power, check that the mains voltage on the rating plate of the back panel is the same as the voltage in your area.

- Insert the plug into the wall socket.

Turn the System On

- Press the Power Button (⏻), the LED light will light in the water cover and water will dance.

Turn the System Off

- Press the Power Button (⏻), the LED light will turn off in the water cover water will stop dancing.

7

LISTEN TO FM RADIO

Selecting FM Mode

- Press the SOURCE Button repeatedly until the indicator turns GREEN.

Station Search

- Press and hold ⏭ / TUNE + or ⏮ / TUNE - button to search up or down the band. The radio will stop automatically when the next station is reached.

Manual Step Tuning

- Press ⏭ / TUNE + or ⏮ / TUNE - button to step up or down the band.
- Fine adjust the tuning so that the station plays clearly.
- If you hear a lot of background noise when playing the station, the signal may be weak. You may be able to improve the signal strength by adjusting the position of the FM antenna or moving the radio to a different position.

During playback:

Water dancing up and down will be controlled by the volume level.

8

PLAYING AUDIO VIA BLUETOOTH SOURCE

Your Tower Speaker also includes Bluetooth connectivity. You can connect Bluetooth equipped mobile phones, tablets and laptop computers to play through your audio system.

Selecting Bluetooth Mode

- Press the SOURCE button until the indicator turns BLUE.
- The system will start searching for the device last connected, if the device is found the system will reconnect the device automatically.
- Please note, only one Bluetooth device can be connected to the unit at one time.

Activate Bluetooth on your device (smartphone, tablet, computer, etc.).

- In the Bluetooth menu of your device, there should be an option to search for Bluetooth devices. Select this option.
- Your device will now scan for other Bluetooth devices and should find the unit, identified as " NAXA NHS-2009 ".
- Choose to pair with " NAXA NHS-2009 ".
- If asked for a password, please enter " 0000 ".
- Your Bluetooth device will now be connected. Once a connection has been established, the indicator will stay lit.
- After pairing for the first time, the audio system will appear on the connection menu of your Bluetooth device.
- If you want to connect another Bluetooth device to the unit, deactivate the current connection. Follow the steps above to connect the new device.

During playing:

- Press ⏩ button to change between Play and Pause mode at any time.
- Press ⏮ or ⏭ button to select the next or previous track.
- These functions may not be available for all Bluetooth sources.
- Press ⏻ button on the remote control to turn off sound, press again to resume.
- Water dancing up and down will be controlled by the volume level.

9

PLAYING AUDIO VIA AUX-IN SOURCE

Connecting to AUX IN

- Connect one end of the supplied 3.5mm stereo mini jack cable to the line or headphone jack of the source (smartphone, tablet, etc.).
- Connect the other end of the cable to the AUX IN jack on the back panel of the Bluetooth Tower Speaker.

Playing an AUX Source:

- Press the SOURCE button repeatedly until the indicator turns ORANGE.
- Set the source to play.
- Press VOL-/+ to adjust volume.
- Press ⏻ button on remote control to turn off sound, press again to resume.
- Water dancing up and down will be controlled by the volume level.

10

TROUBLESHOOTING GUIDE

If you are having problems with your unit, please review the guide below before requesting service.

SYMPTOM	POSSIBLE CAUSE	POSSIBLE SOLUTION
No power	Power plug is not plugged into a wall outlet	Plug into the wall outlet properly
	The unit is in standby mode	Press the ⏻ button to turn on the unit from standby mode
No sound	Volume is set to minimum	Increase volume level by pressing the VOL+ button
	The connected device is not in playing mode	Play the music from the connected device
	Sound output of the connected device is set too low	Increase the volume level of the connected device
Sound distortion	Input source is incorrect	Press the SOURCE button repeatedly until indicator turns to correct color
	Volume level is too high	Reduce the volume level by pressing the VOL- button
Weak radio reception	Volume level of the connected device is set too high	Reduce the volume level of the connected device
		Extend the FM antenna wire on the rear of the unit and relocate it to get better reception
Remote not functioning	Out of range	Point the remote control to the remote sensor on the unit within 20 feet (6m), +/- 30 degrees
	The batteries in the remote control are dead	Replace with new batteries

11

SPECIFICATIONS

Power Source.....5.8V --- 2A ---
Power Consumption.....11.6W
Bluetooth Working Range.....up to 33ft(10m)
FM Coverage.....87.5-108.0MHz

Accessories

- Instruction Manual
- AUX IN Cable
- Remote Control with Battery
- AC Adapter

12