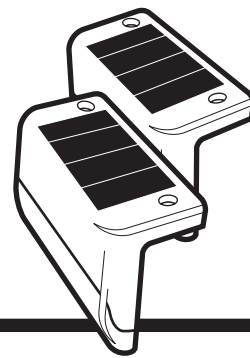


solar-powered LED DECK LIGHT

Light Up Your Stairs, Deck Railing or Deck Edging



ASSEMBLY AND INSTRUCTION GUIDE

Model #: 47332

IMPORTANT: Read all instructions carefully before use.

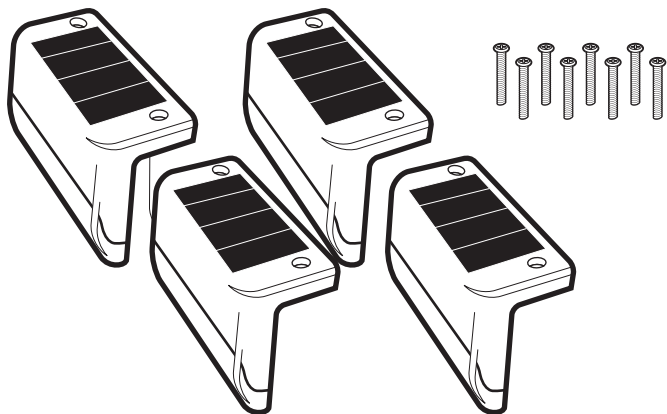
ABOUT THE SOLAR POWERED LED DECK LIGHT

Your MAXSA Solar Powered Deck Lights converts sunlight into electricity during the day, enabling the 2 LED lights to turn on automatically at night. Now you can light the edges and corners of your deck and help prevent falls or tripping. Or use them to light up your steps. They are solar powered. The included rechargeable battery gets powered up each day by the sun and lights up your deck or steps at night.

Your Solar Powered Deck Light can light for up to 5 hours when the battery is fully charged. The sealed rechargeable AAA Ni-MH battery included with this product should last for many years before it needs to be replaced.

INCLUDED PARTS

Carefully remove and identify all the parts from their protective packaging and lay them out in front of you.



Your Solar-Powered LED Deck Light comes complete with four light units and 8 screws.

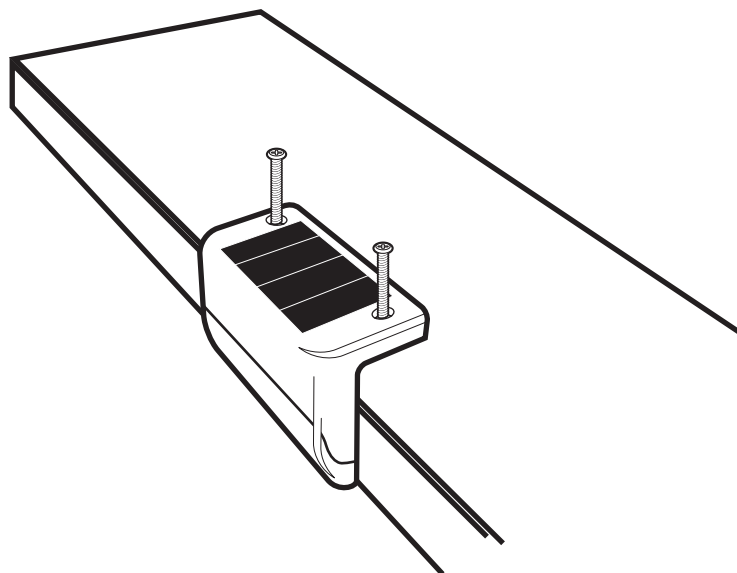
CHOOSING A LOCATION

Your Solar Powered Deck Light comes complete with a built-in solar panel. For optimum sun exposure and longer light output, place the Solar Deck Light where it will receive 6-8 hours of direct sunlight per day. Placing the product in a shaded location will not allow the batteries to charge fully, reducing the number of hours the light will operate per evening.

The Solar Powered Deck Light is equipped with a light-sensitive trigger to automatically turn the light on at dusk. For best performance, ensure that the Deck Light is not placed near night time light sources such as porch lighting and street lighting.

HOW TO INSTALL

Pull out the white tab that is coming out of the clear plastic. Mount to a deck rail, edge or step. Take the two supplied screws and install the Solar Deck Light onto a wooden step, edge or deck railing. There is no ON/OFF switch, so it will power on automatically when it starts to get dark. Your light is ready to go!



OPERATING YOUR SOLAR DECK LIGHTS

Since there is no ON/OFF switch, the Solar Deck Light will come on at night and turn off during the day. The photosensor that senses when to turn the light on is located in the solar panel. The panel should not be covered by anything and not in shadow to ensure the unit does not turn on during the daytime. If the deck light does not light up long enough try and position it somewhere it gets more sun.

MAINTENANCE

The LED lights in your Solar Deck Light will last up to 30,000 hours and should never need replacement.

To keep your Solar Deck Lights looking new, keep the solar panel free of dust and deposits by wiping occasionally with a dry cloth or with warm soapy water if necessary. A dirty solar panel will not allow the batteries to fully charge and this will shorten the life of the batteries and may cause the light to malfunction.

CHANGING THE BATTERY

The included AAA Ni-MH should last for at least 3 years. If you do need to change the battery, unscrew the two screws that are underneath the solar panel and that holding the clear plastic cover to the deck light. Once the clear plastic cover is removed you can access and change the AAA battery.

TROUBLESHOOTING

PROBLEM	SOLUTION
Light will not switch on.	<p>Ensure that the batteries have been fully charged in direct sunlight for a full sunny day. Artificial light will not charge the battery. It must charge in sunlight.</p> <p>Check to see that the solar panel receives 6-8 hours of sunlight per day, enabling the batteries to fully charge.</p> <p>Check to see that the Deck light is not near night time light sources such as street lights or porch lights</p>
Light turns on during the daytime	The photosensor may be covered or in shadow. Be sure nothing covers the Solar Deck Light so the photosensor can determine the proper time to turn the light on.
Light is not as bright as normal	Battery charge may be low. Check to make sure the solar panel is not covered and that the light is not turning on during daylight hours. Give it a full sunny day to recharge.

