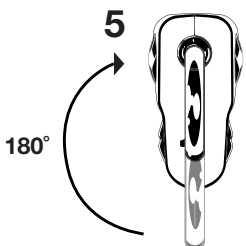
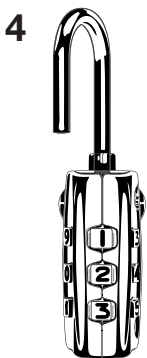
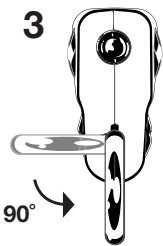
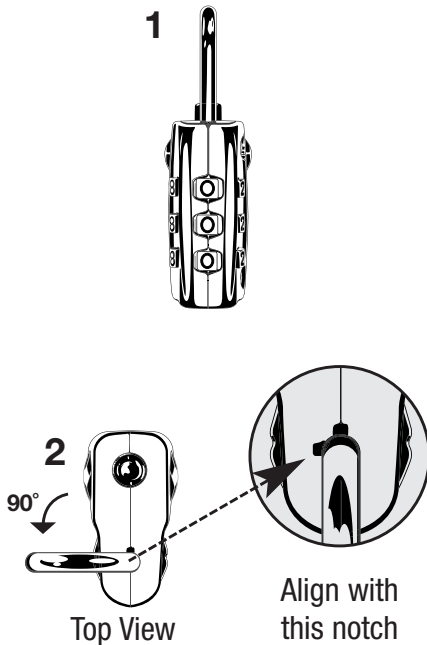




RESETTABLE COMBINATION LOCK

Transportation Security Administration (TSA) baggage screeners are trained to recognize the Travel Sentry™ logo on TSA – accepted locks. They have access to a secured set of codes and tools which allow them to open, inspect and relock baggage which is locked with a TSA – accepted lock.

Your new lock is preset at the factory to unlock at 0-0-0. Make sure you are able to open and close the lock prior to setting your own combination. Carefully follow each step to ensure proper setting procedures.



1. Adjust dials so the preset factory combination of 0-0-0 appears clearly in the “windows”.
2. Pull shackle straight up and rotate it 90° counter clockwise so the notch on the shackle aligns with the notch in the lock body.
3. Firmly press shackle down into the body of the lock and rotate it counter clockwise an additional 90°. The shackle should be pushed securely inside the body of the lock so it will not come out.
4. Set the 3 dials to any combination you choose. Make sure each number appears clearly in the window. Record your combination – once the lock is set, there is no way to open it without the combination.
5. Rotate the shackle 180° clockwise. The lock is now ready to be used with your new combination. To change the combination again, repeat steps 1-5.