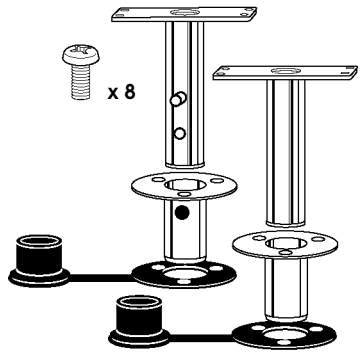


**Use with Dual Mount "DM" Tables or Gourmet Series Grills  
Heavy Duty**

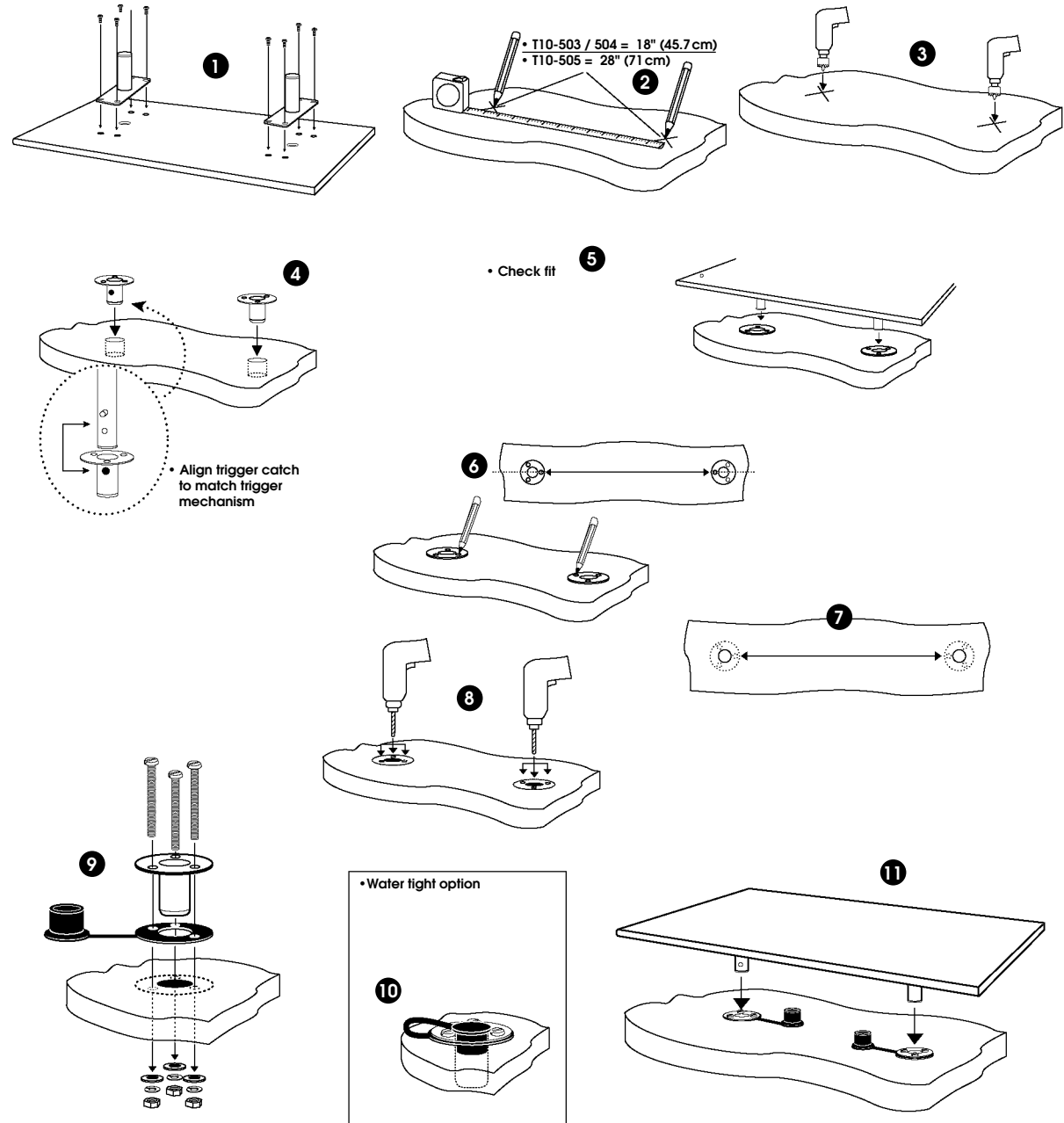


**Tools required**

**Fasteners required**

$\approx 1\frac{1}{8}" (28.5\text{mm})$

Two attractive mirror polished 18-8 stainless steel flush deck socket sets, features a push button lock pin and includes a flange gasket with integral flip-up water seal cap. These sockets mount flush for an uncluttered deck. Some fasteners required for installation.



**NOTE: Instructions and fasteners for mounting to Gourmet Series Grills are included with the grill.**