



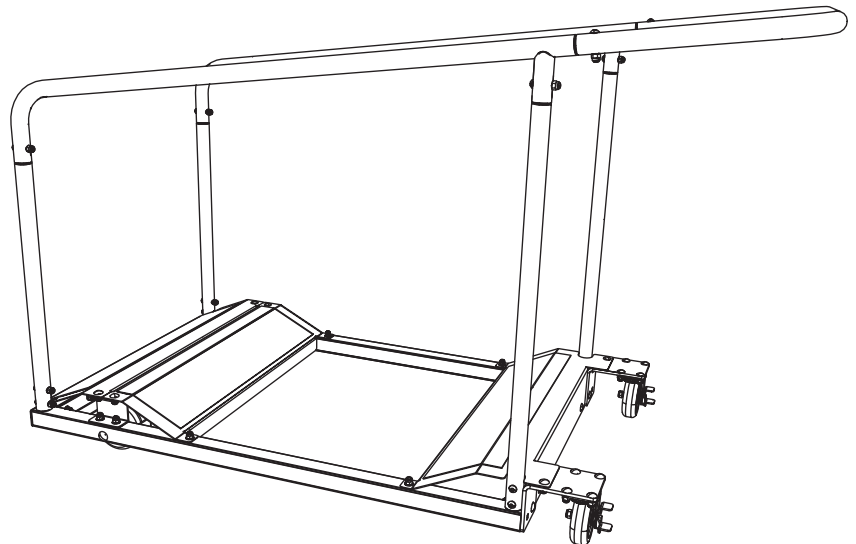
# ASSEMBLY INSTRUCTIONS



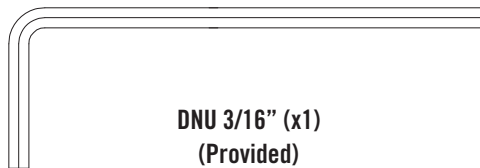
## TABLE CART

Lifetime tables carts are designed to be strong and durable. We strive to make assembly as easy as possible without compromising quality. If you get stuck, we have tools to help:

- **Level Ground**  
Assemble the Table on level ground
- **Recruit Friends and Family**  
Assembly should take 2 people about 1-2 hours to complete.



### TOOLS REQUIRED



### TABLE OF CONTENTS

- Icon Legend
- Warnings & Notices
- Parts Identifier
- Lower Frame Assembly
- Upper Frame Assembly
- Base Assembly
- Cleaning & Care
- Registration



## ICON LEGEND



- Indicates special heed should be taken when reading.



- Indicates the parts to be used for a section.



- Indicates no parts required for a specific section.



- Indicates the hardware to be used for a section.



- Indicates no hardware required for a specific page.



- Indicates the tools to be used for a section.



- Indicates to use/not to use an electric drill for a specific step.



## WARNINGS & NOTICES

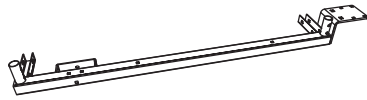
### English:

- **Failure to follow these warnings may result in serious injury or property damage and will void warranty.**
- To ensure safety, do not attempt to assemble this product without following the instructions carefully.
- Assemble the product on level ground.
- Two capable adults are required for assembly.
- All who participate in the assembly process should wear safety glasses throughout the assembly.
- Proper and complete assembly are essential to reduce the risk of accident or injury.
- Check all hardware for tightness before and during the usage season.
- **Most injuries are caused by misuse and/or not following instructions. Use caution when using this product.**



# PARTS IDENTIFIER

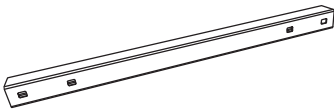
## LARGE PARTS



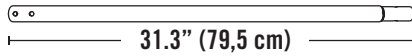
**EBB** (x1)



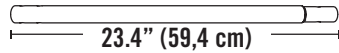
**EBF** (x1)



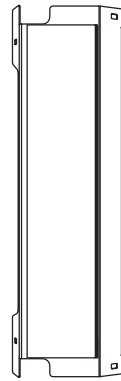
**EAZ** (x2)



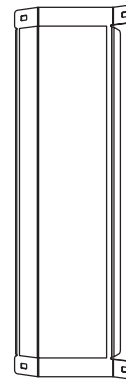
**EBE** (x2)



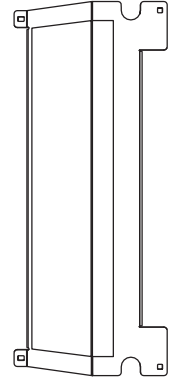
**EAY** (x2)



**EAX** (x1)



**EBC** (x1)



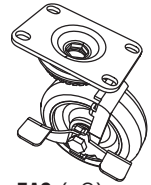
**EBD** (x1)



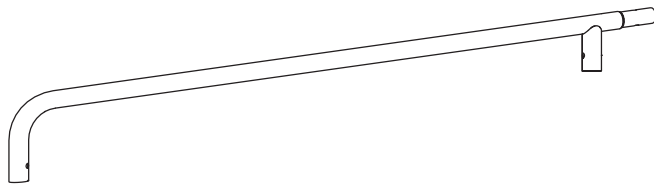
**EBA** (x1)



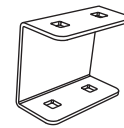
**AMU** (x2)



**EAS** (x2)



**EBG** (x2)



**EBJ** (x2)

---

## BLISTER PACKS



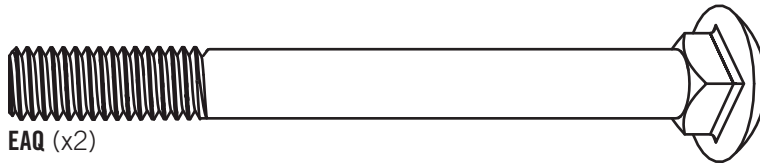
# 1

## LOWER FRAME ASSEMBLY



### HARDWARE REQUIRED

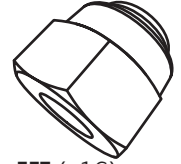
Blister Pack



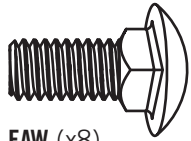
EAQ (x2)



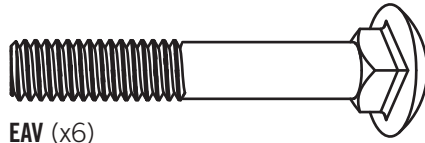
EES (x2)



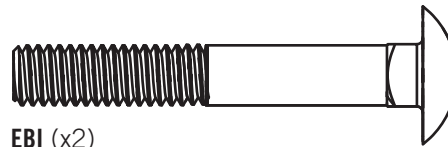
EET (x16)



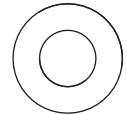
EAW (x8)



EAV (x6)



EBI (x2)

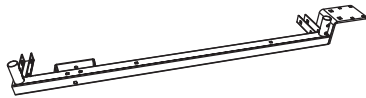


DBA (x8)



### PARTS REQUIRED

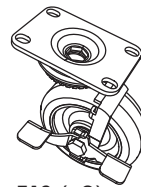
Large Parts



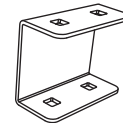
EBB (x1)



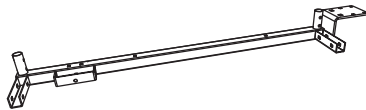
AMU (x2)



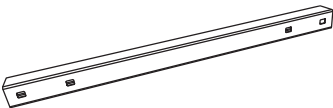
EAS (x2)



EBI (x2)



EBF (x1)



EAZ (x2)



### TOOLS REQUIRED



1/2" (x1)  
13mm (x1)



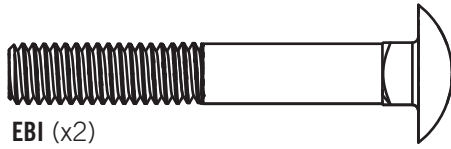
9/16" (x1)  
14 mm (x1)

## SECTION 1 (CONTINUED)

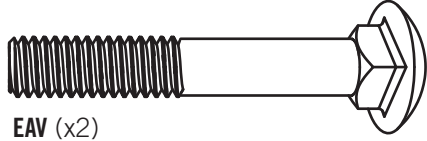
TOOLS AND HARDWARE REQUIRED



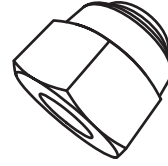
1/2" (x1)  
13 mm (x1)



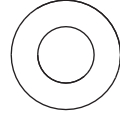
EBI (x2)



EAV (x2)



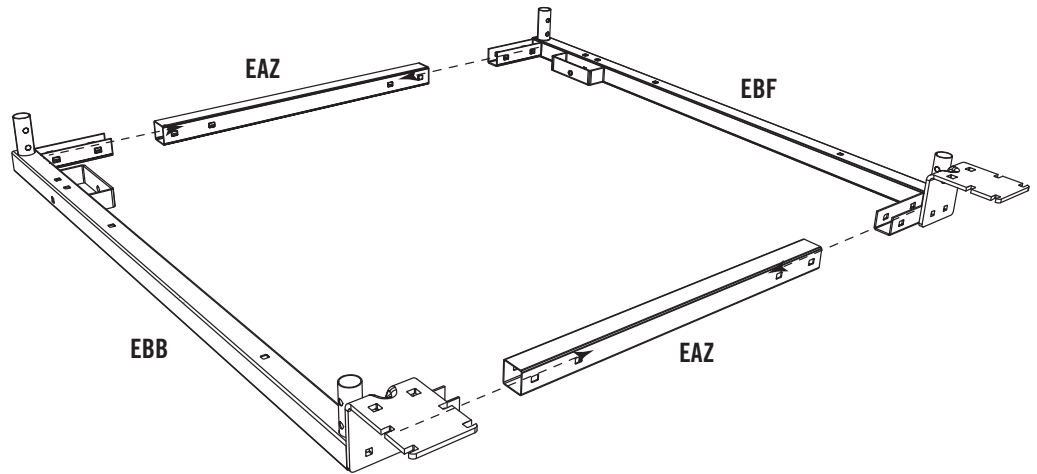
EET (x4)



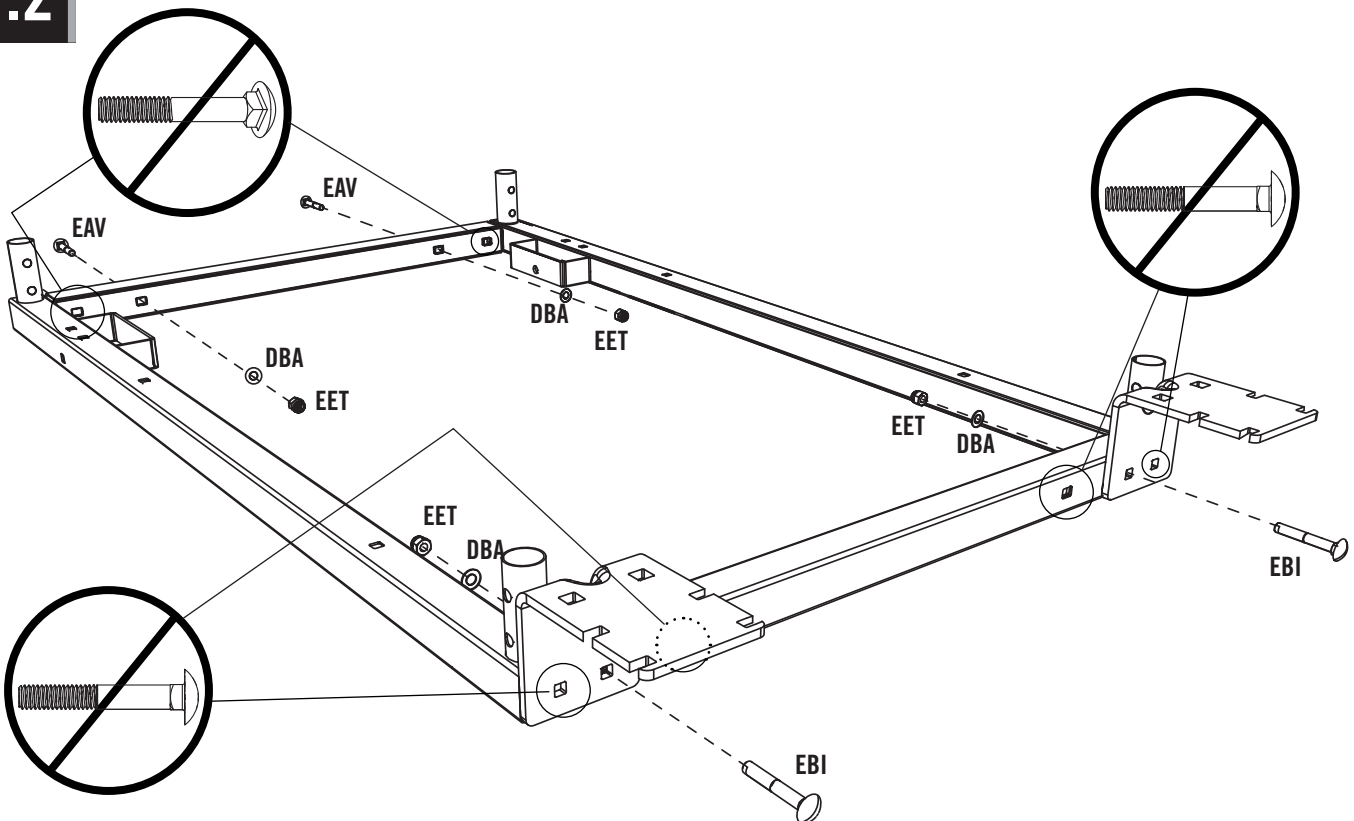
DBA (x4)

# 1.1

- Insert the ends of the two **Side Frames (EBB & EBF)** into the front and rear **Braces (EAZ)**. Align the holes.



# 1.2

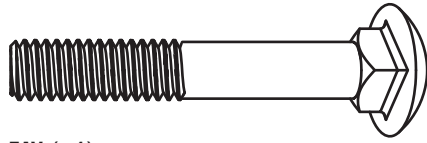


## SECTION 1 (CONTINUED)

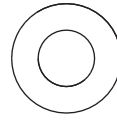
TOOLS AND HARDWARE REQUIRED



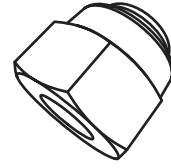
1/2" (x1)  
13 mm (x1)



EAV (x4)



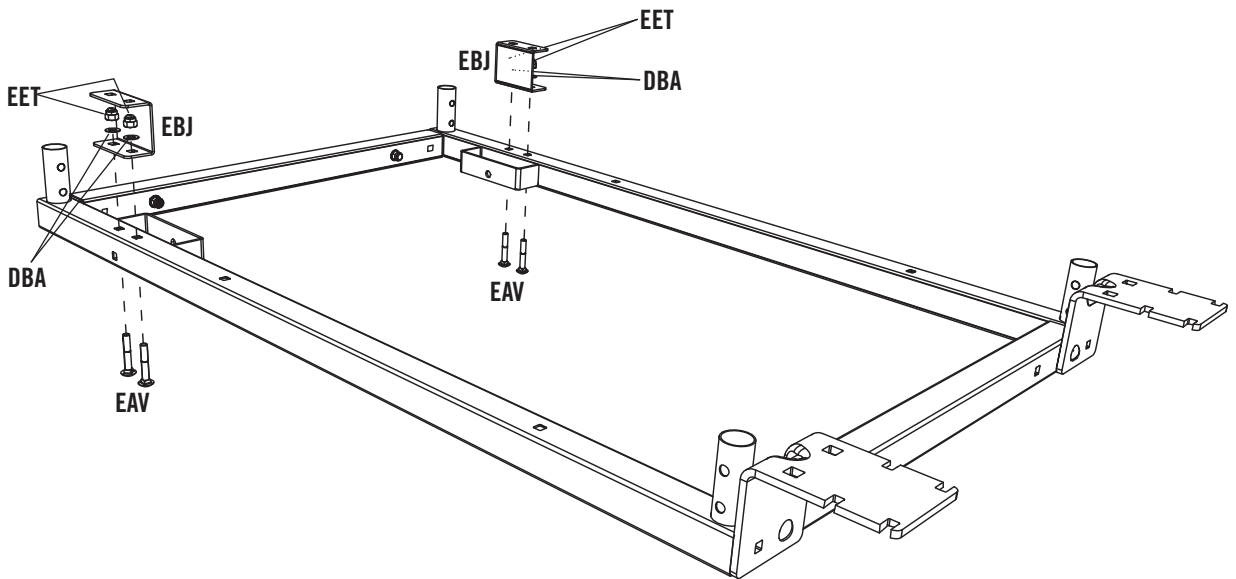
DBA (x4)



EET (x4)

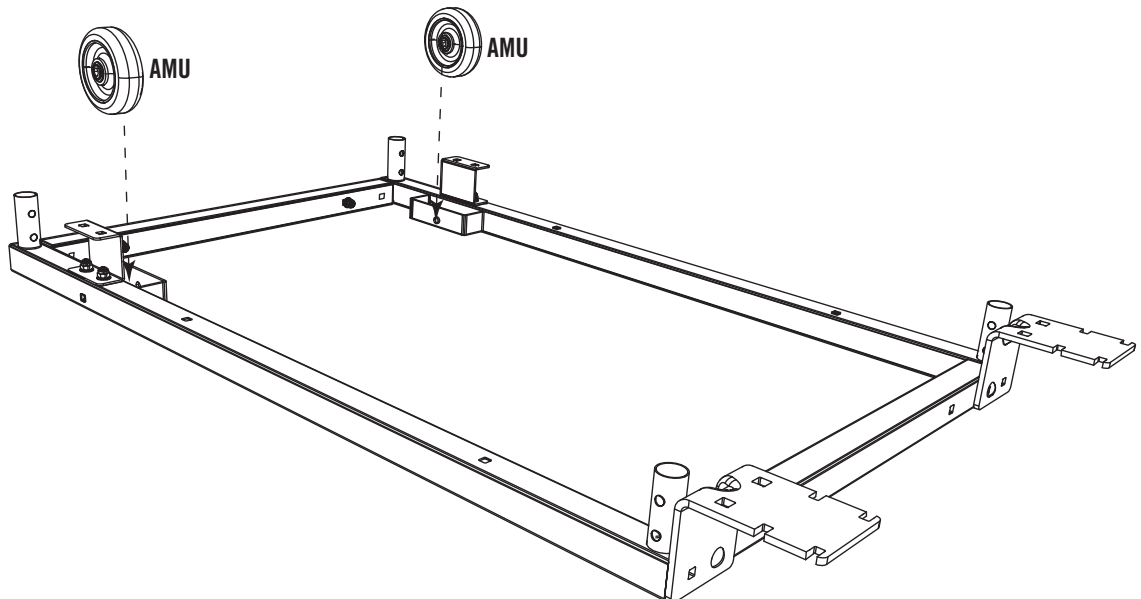
### 1.3

- Secure the **Wheel Brackets (EBJ)** to the Side Frames. **Do not overtighten.**



### 1.4

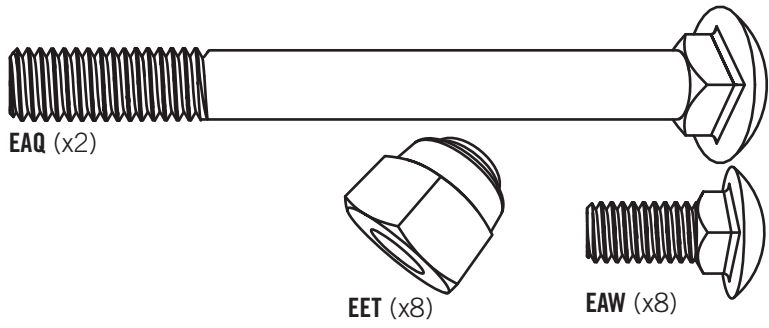
- Slide the **Front Wheels (AMU)** down inside the Side Frames.



## SECTION 1 (CONTINUED)

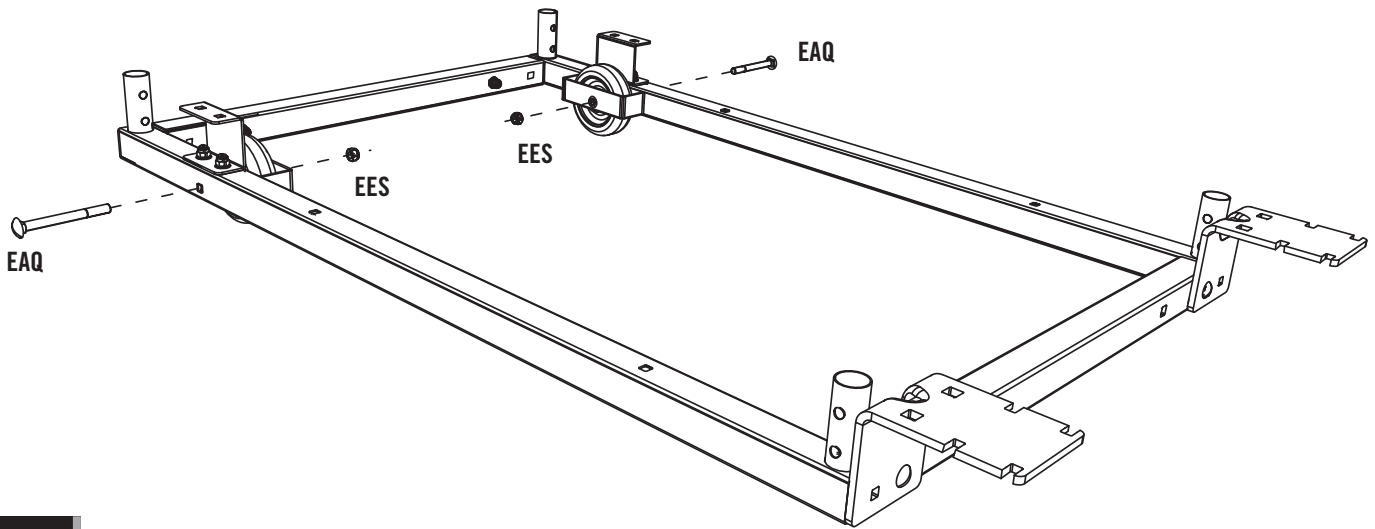
TOOLS AND HARDWARE REQUIRED

- 1/2" (x1)
- 13 mm (x1)
- 9/16" (x1)
- 14 mm (x1)



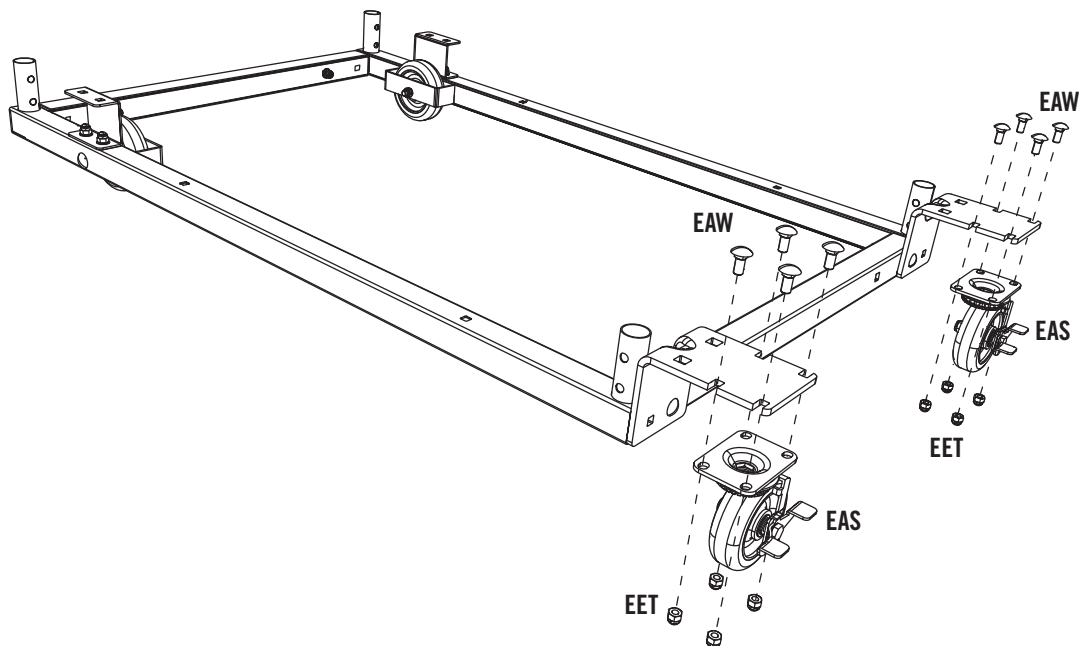
# 1.5

- Secure the Front Wheels to the Side Frames. **Do not overtighten.**



# 1.6

- Secure the Rear Wheels (EAS) to the brackets on the back of the Side Frames. **Do not overtighten.**





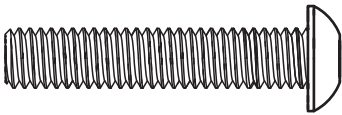
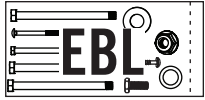
# 22

## UPPER FRAME ASSEMBLY

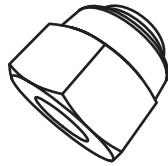


### HARDWARE REQUIRED

Blister Pack



EAU (x14)



EET (x14)

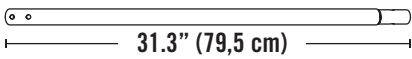


DNU

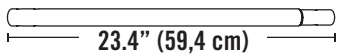


### PARTS REQUIRED

Large Parts



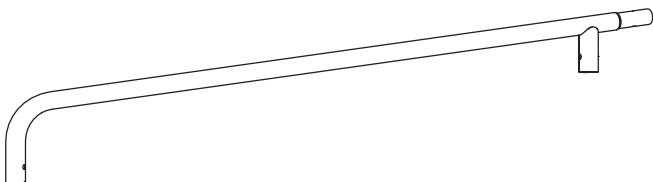
EBE (x2)



EAY (x2)



EBA (x1)



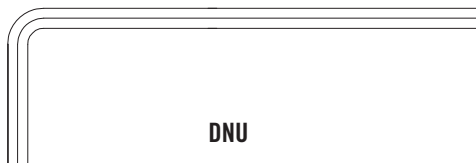
EBG (x2)



### TOOLS REQUIRED



1/2" (x1)  
13 mm (x1)



DNU

## SECTION 2 (CONTINUED)

TOOLS AND HARDWARE REQUIRED

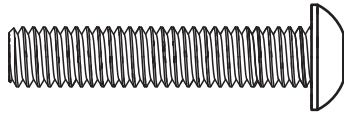


1/2" (x1)

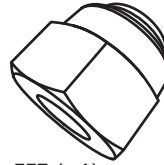
13 mm (x1)



DNU



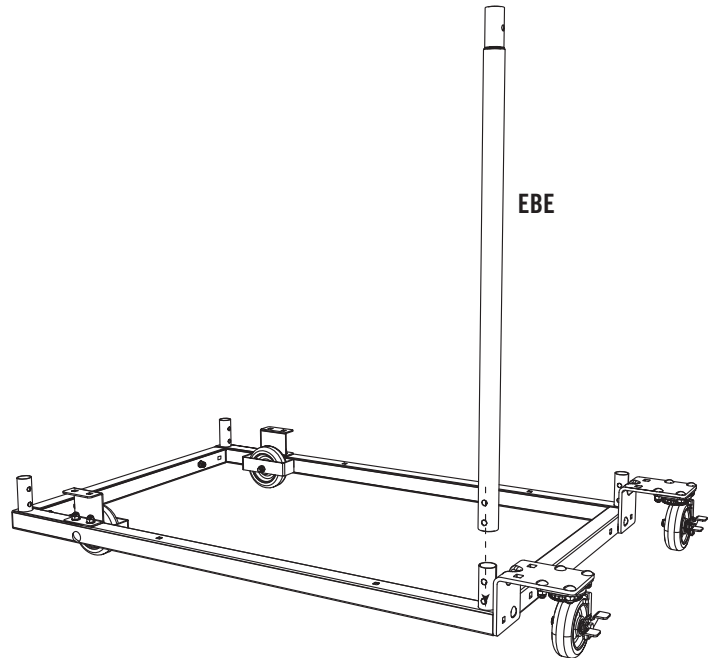
EAU (x4)



EET (x4)

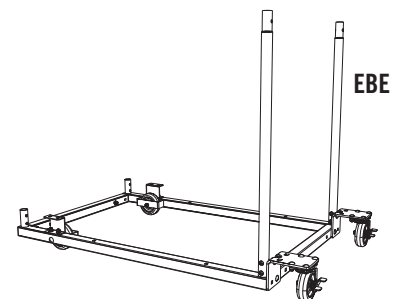
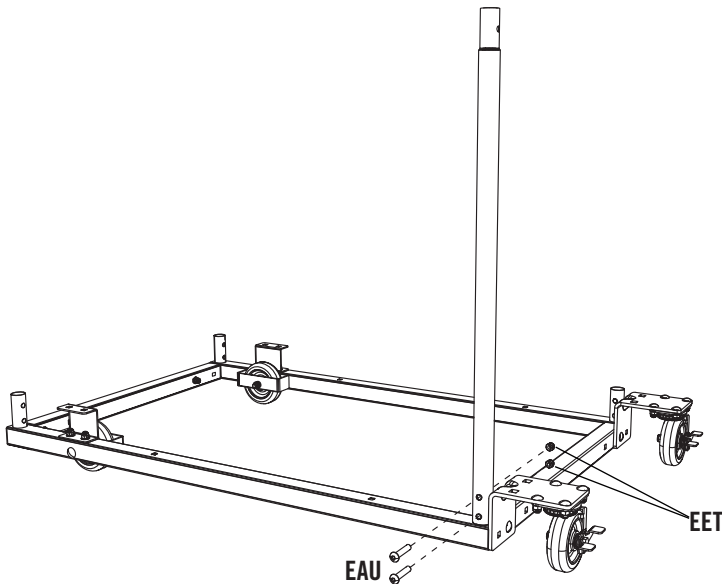
# 2.1

- Slide a **Rear Vertical Support Tube (EBE)** over the Side Frame and align the holes.




# 2.2

- Secure the Tube to the Side Frame. **Do not overtighten.** Repeat these steps for the second Rear Vertical Support Tube.

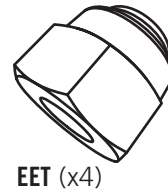
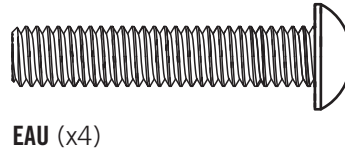


## SECTION 2 (CONTINUED)

TOOLS AND HARDWARE REQUIRED

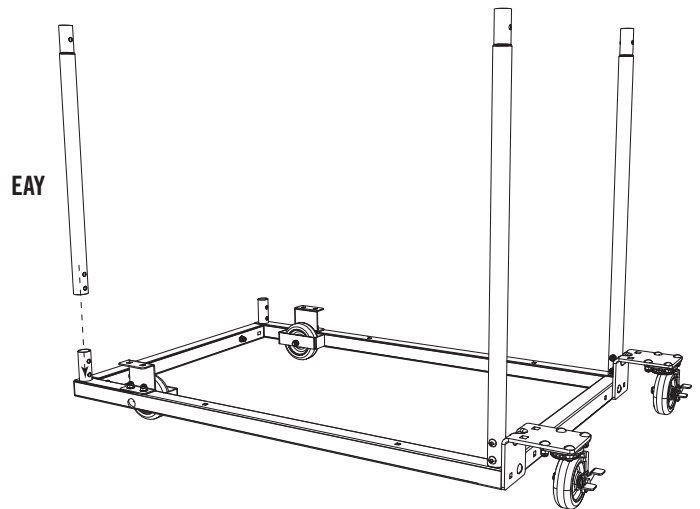
  
1/2" (x1)  
13 mm (x1)

  
DNU



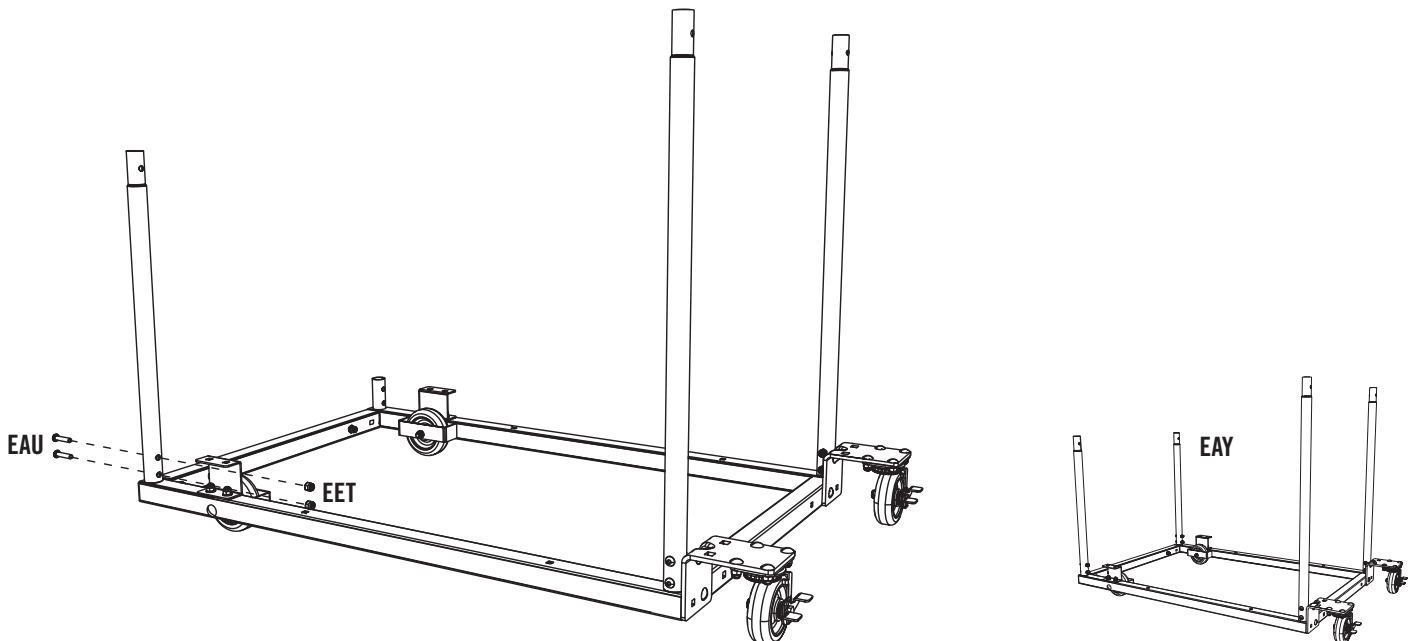
### 2.3

- Slide a **Front Vertical Support Tube (EAY)** over the Side Frame and align the holes.



### 2.4

- Secure the Tube to the Side Frame. **Do not overtighten.** Repeat these steps for the second Front Vertical Support Tube.

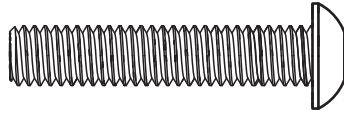


## SECTION 2 (CONTINUED)

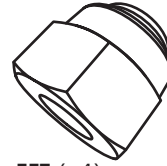
TOOLS AND HARDWARE REQUIRED

1/2" (x1)  
13 mm (x1)

DNU



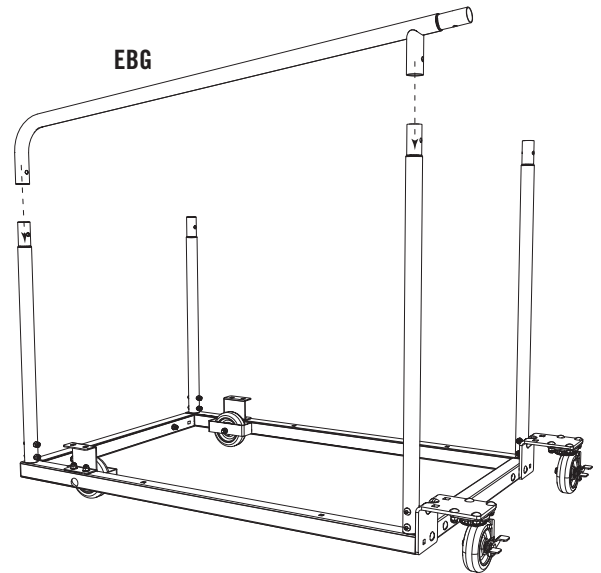
EAU (x4)



EET (x4)

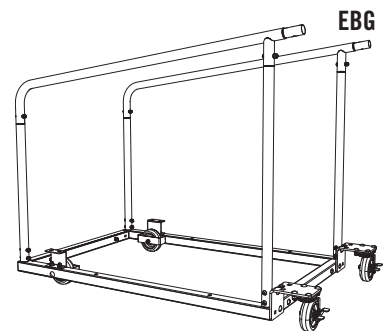
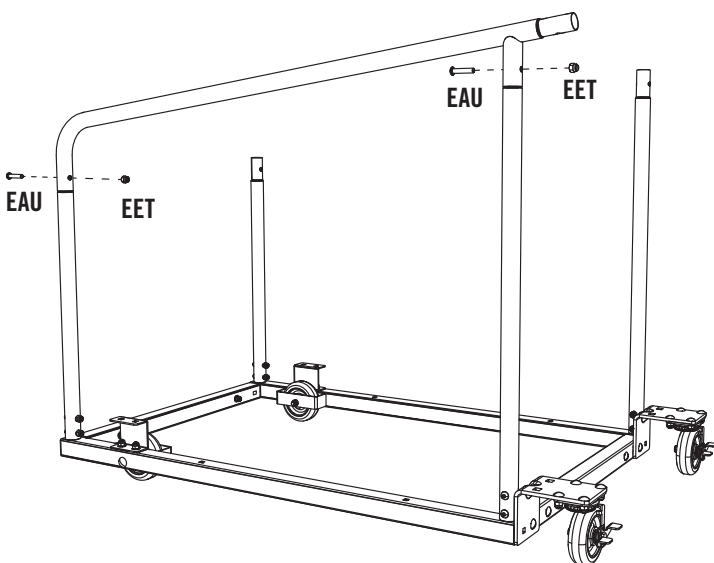
# 2.5

- Slide a **Horizontal Support Tube (EBG)** over the Vertical Tubes and align the holes.



# 2.6

- Secure the Horizontal Tube to the Vertical Tubes. **Do not overtighten.** Repeat these steps for the second Horizontal Support Tube.

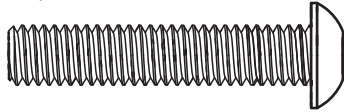


## SECTION 2 (CONTINUED)

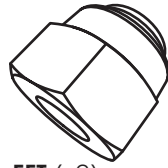
TOOLS AND HARDWARE REQUIRED

1/2" (x1)  
13 mm (x1)

DNU



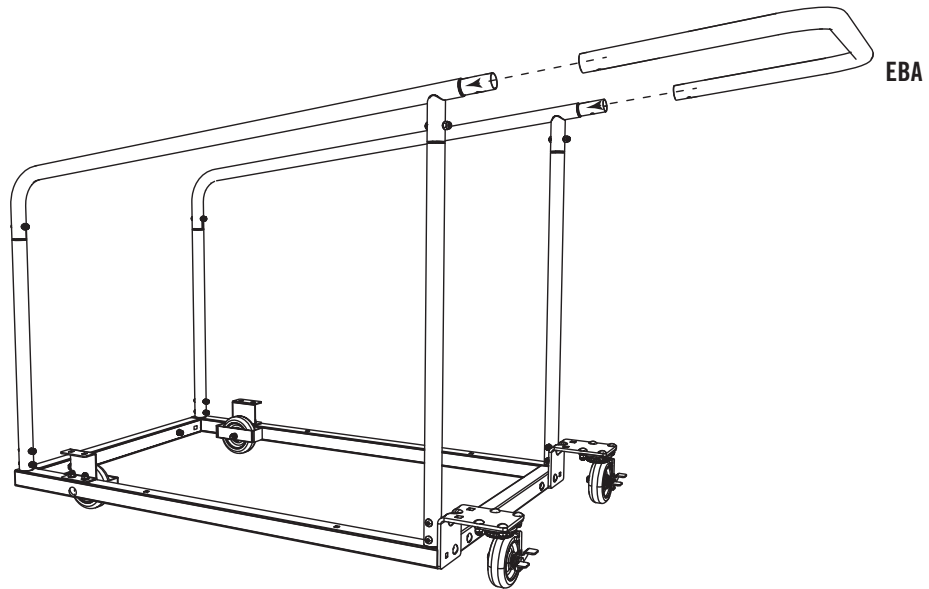
EAU (x2)



EET (x2)

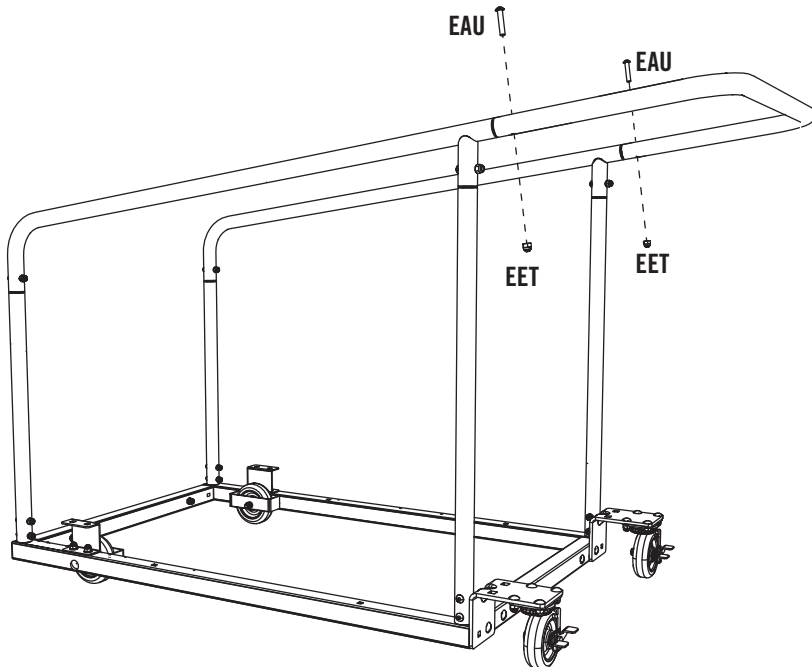
# 2.7

- Slide the **Handle (EBA)** over the Horizontal Tubes and align the holes.



# 2.8

- Secure the Handle to the Tubes. **Do not overtighten.**



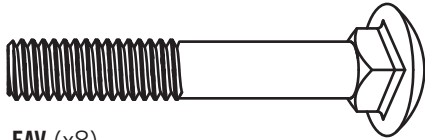
# 33

## BASE ASSEMBLY

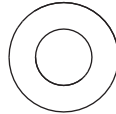


### HARDWARE REQUIRED

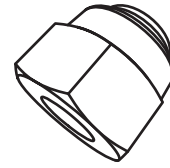
*Blister Pack / Blister / Plaquette*



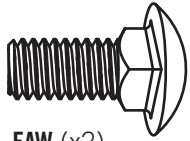
**EAV** (x8)



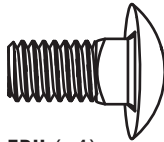
**DBA** (x14)



**EET** (x14)



**EAW** (x2)

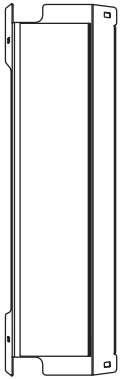


**EBH** (x4)

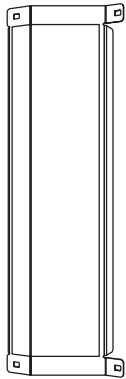


### PARTS REQUIRED

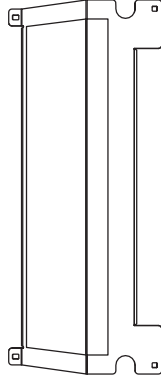
*Large Parts / Piezas grandes / Grandes Pièces*



**EAX** (x1)



**EBC** (x1)



**EBD** (x1)




### TOOLS REQUIRED

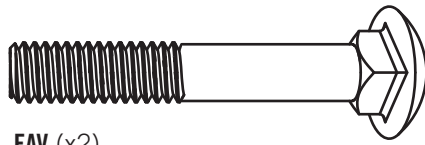


**1/2" (x1)**  
**13 mm (x1)**

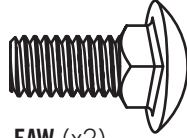
## SECTION 3 (CONTINUED)

TOOLS AND HARDWARE REQUIRED

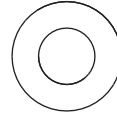
  
1/2" (x1)  
13 mm (x1)



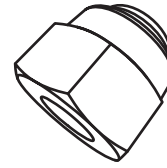
EAV (x2)



EAW (x2)



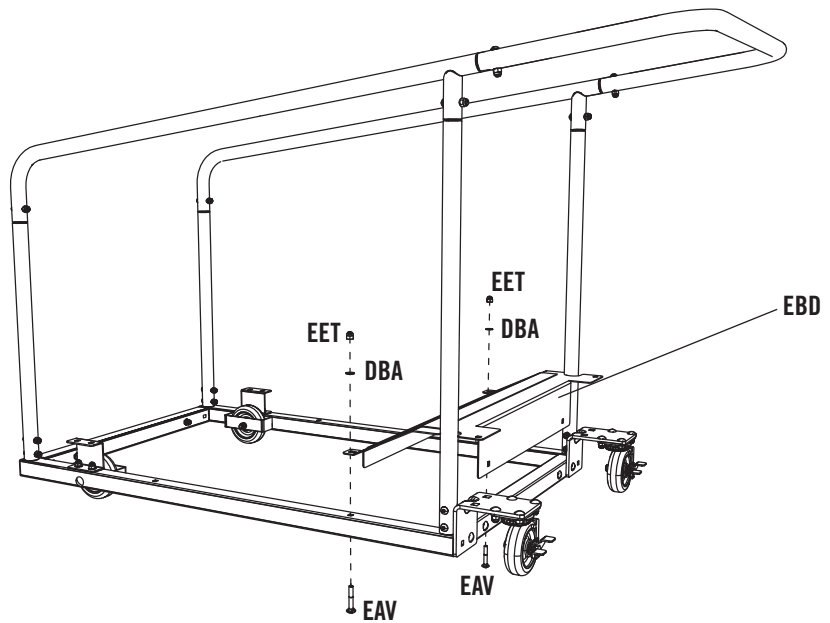
DBA (x4)



EET (x4)

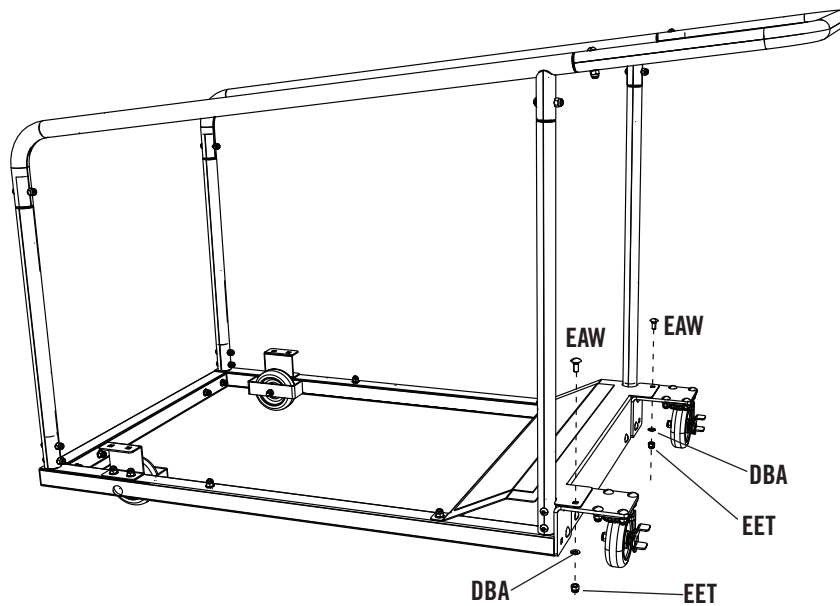
### 3.1

- Secure the **Rear Panel (EBD)** to the Side Frames. **Tighten only by hand at this time.**




### 3.2

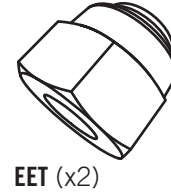
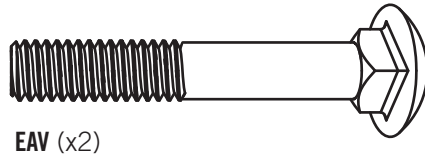
- Secure the **Rear Panel (EBD)** to the Side Frame brackets. **Tighten only by hand at this time.**



## SECTION 3 (CONTINUED)

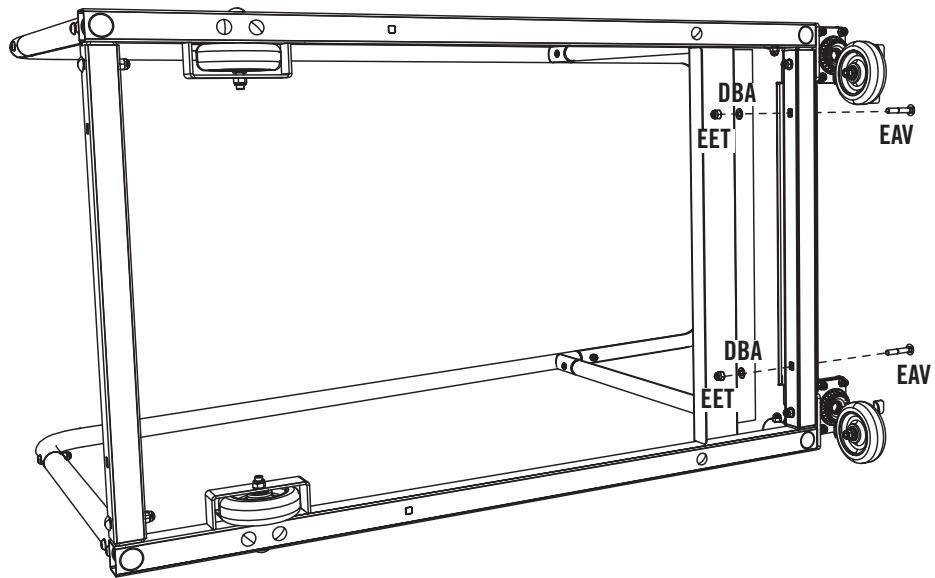
TOOLS AND HARDWARE REQUIRED

  
1/2" (x1)  
13 mm (x1)



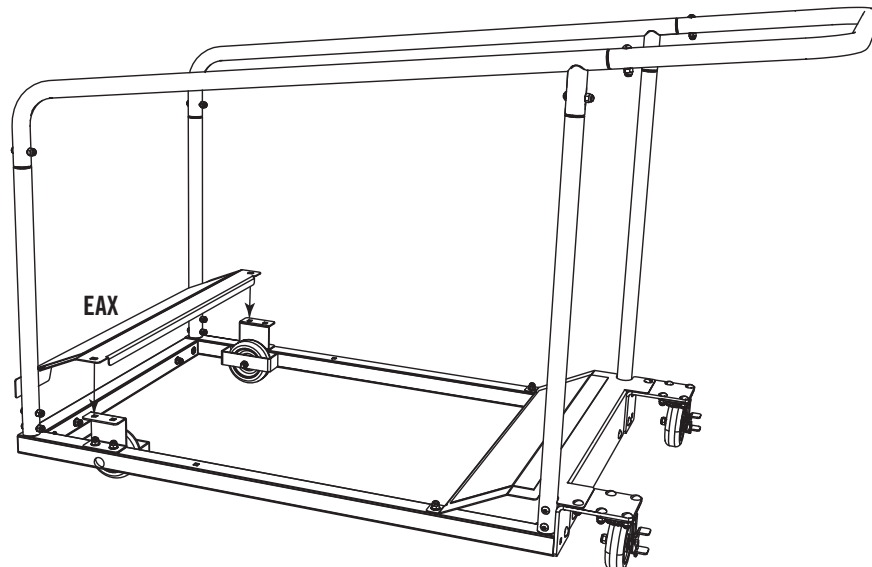
### 3.3

- Flip the Cart on its side and secure the Rear Panel to the rear Brace. **Tighten only by hand at this time.**



### 3.4


- Set the Front Panel (EAX) over the Frame. **Tighten only by hand at this time.**

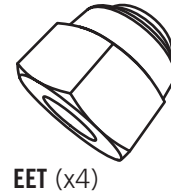
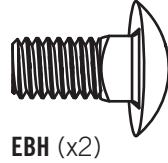
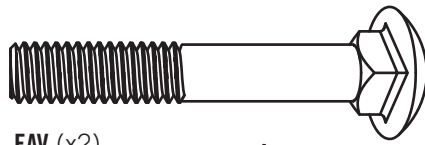




## SECTION 3 (CONTINUED)

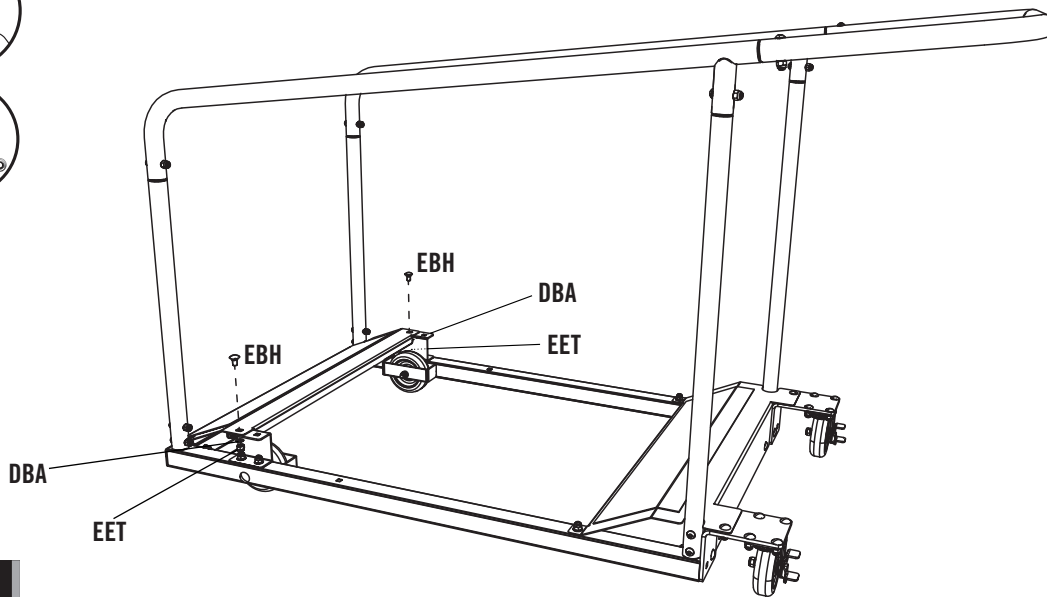
TOOLS AND HARDWARE REQUIRED

  
1/2" (x1)  
13 mm (x1)



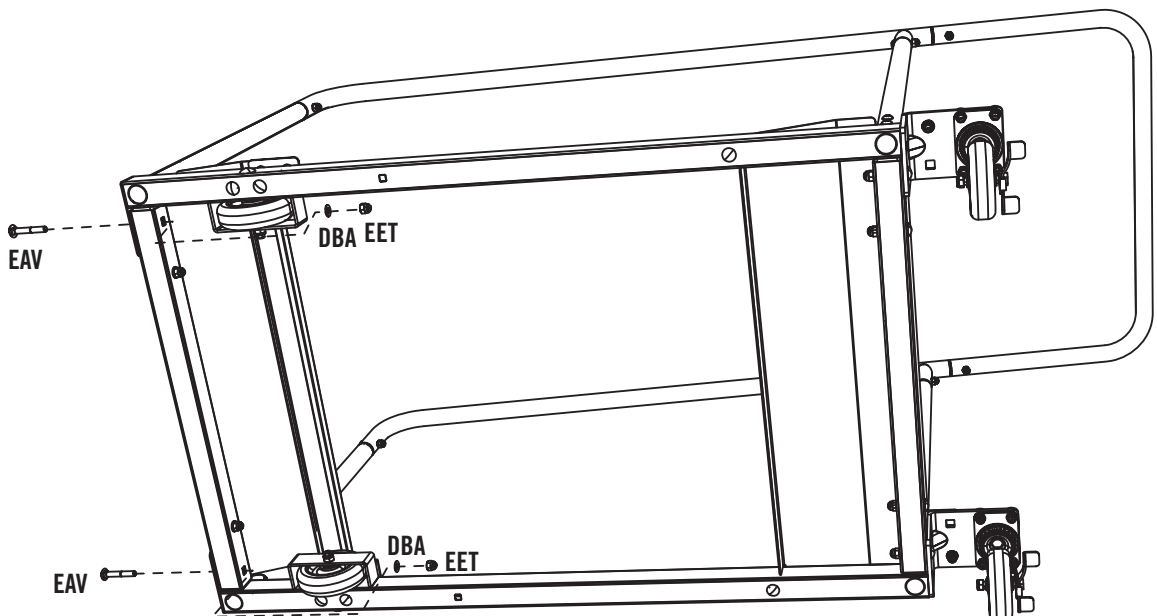
### 3.5

- Secure the Front Panel to the Brackets. **Tighten only by hand at this time.**




### 3.6

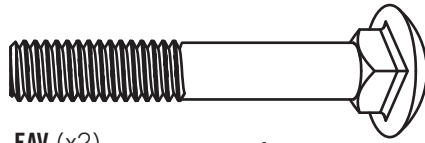
- Secure the Front Panel to front Brace. **Tighten only by hand at this time.**



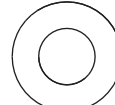
## SECTION 3 (CONTINUED)

TOOLS AND HARDWARE REQUIRED

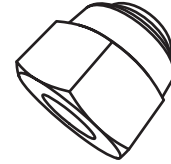
  
1/2" (x1)  
13mm (x1)



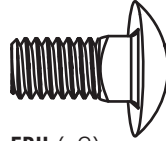
EAV (x2)



DBA (x4)



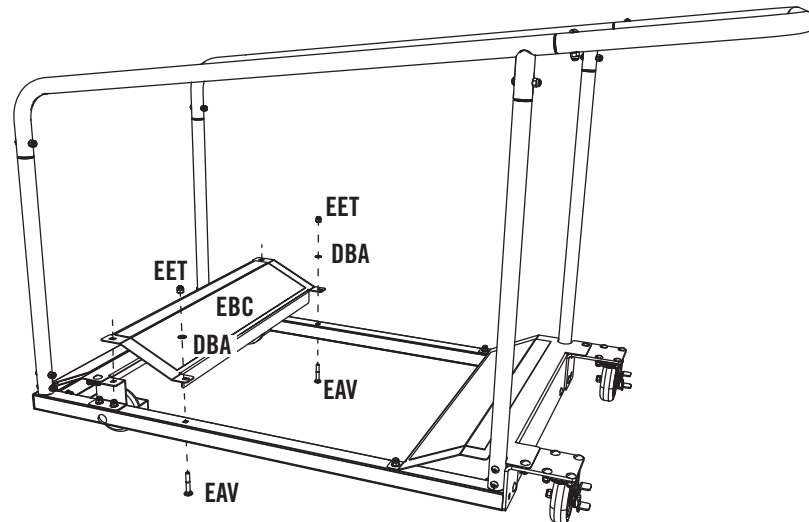
EET (x4)



EBH (x2)

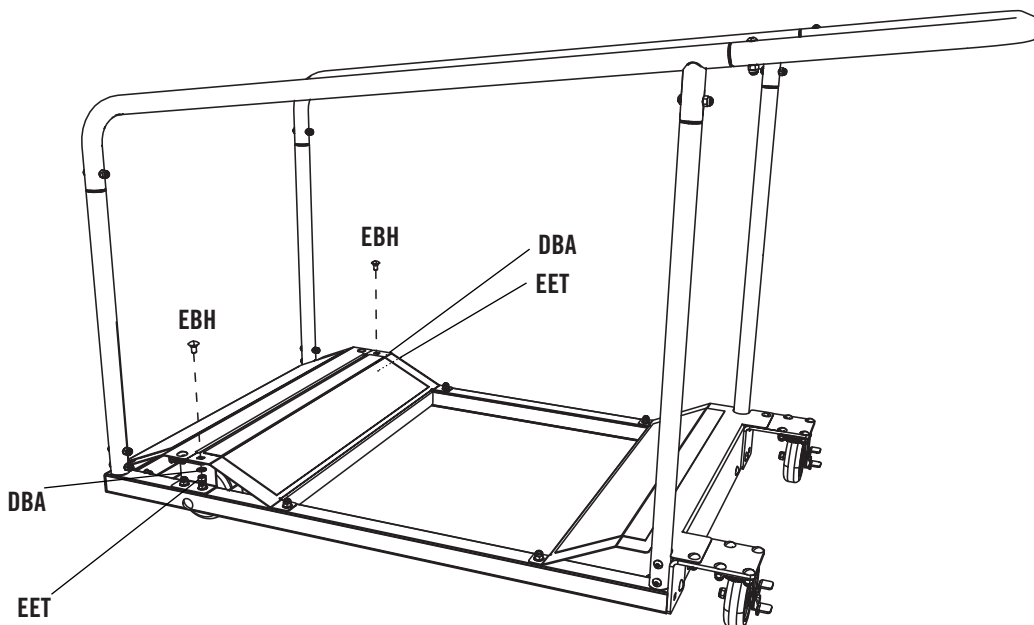
### 3.7

- Secure the Second Front Panel to the Side Frames. **Tighten only by hand at this time.**



### 3.8

- Secure the Front Panel to front Bracket. **Tighten all hardware.**





## CLEANING & CARE

**Congratulations on your Lifetime® product purchase. By following the instructions below, your new Lifetime product should provide you with years of service and enjoyment.** Abrasive cleaning materials may scratch the plastic and are not recommended. Repair scratches or rust spots on the metal by sanding the affected area lightly; using a rust preventative spray primer; and finally, spraying with a high-gloss spray enamel paint.