



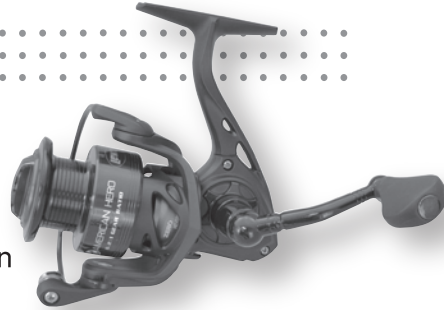
# AMERICAN HERO® SPEED SPIN®

AH100, AH200, AH300, AH400

Speed Spin reels are designed to be Lighter, *Faster* and **Stronger**

*Driven by innovation – Fueled with Passion*

**Feel the Difference!**



HS  
6.2:1  
HIGH SPEED

5 Bearing System

## Reel Specifications

Model	Weight (oz.)	Gear Ratio	Line Capacity (yd./lb.)	RPT*
AH100	8.7	6.2:1	120/6	30"
AH200	8.9	6.2:1	120/8	31"
AH300	9.9	6.2:1	145/10	32"
AH400	10.4	6.2:1	185/12	35"

\*Recovery per turn.

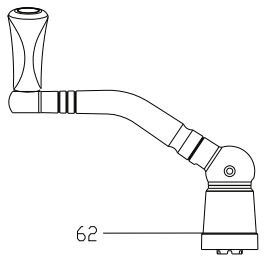
### FEATURES:

- Rugged, lightweight graphite body and rotor
- 5-bearing system with Zero-Reverse Bearing one-way clutch bearing
- Double anodized aluminum spool • Thin compact gear box
- Precision cut solid brass pinion gear • Speed Lube™ for exceptional smoothness and uninterrupted performance in all weather conditions • Oversized multiple disc drag system for smooth performance
- Adjustable for right or left hand retrieve

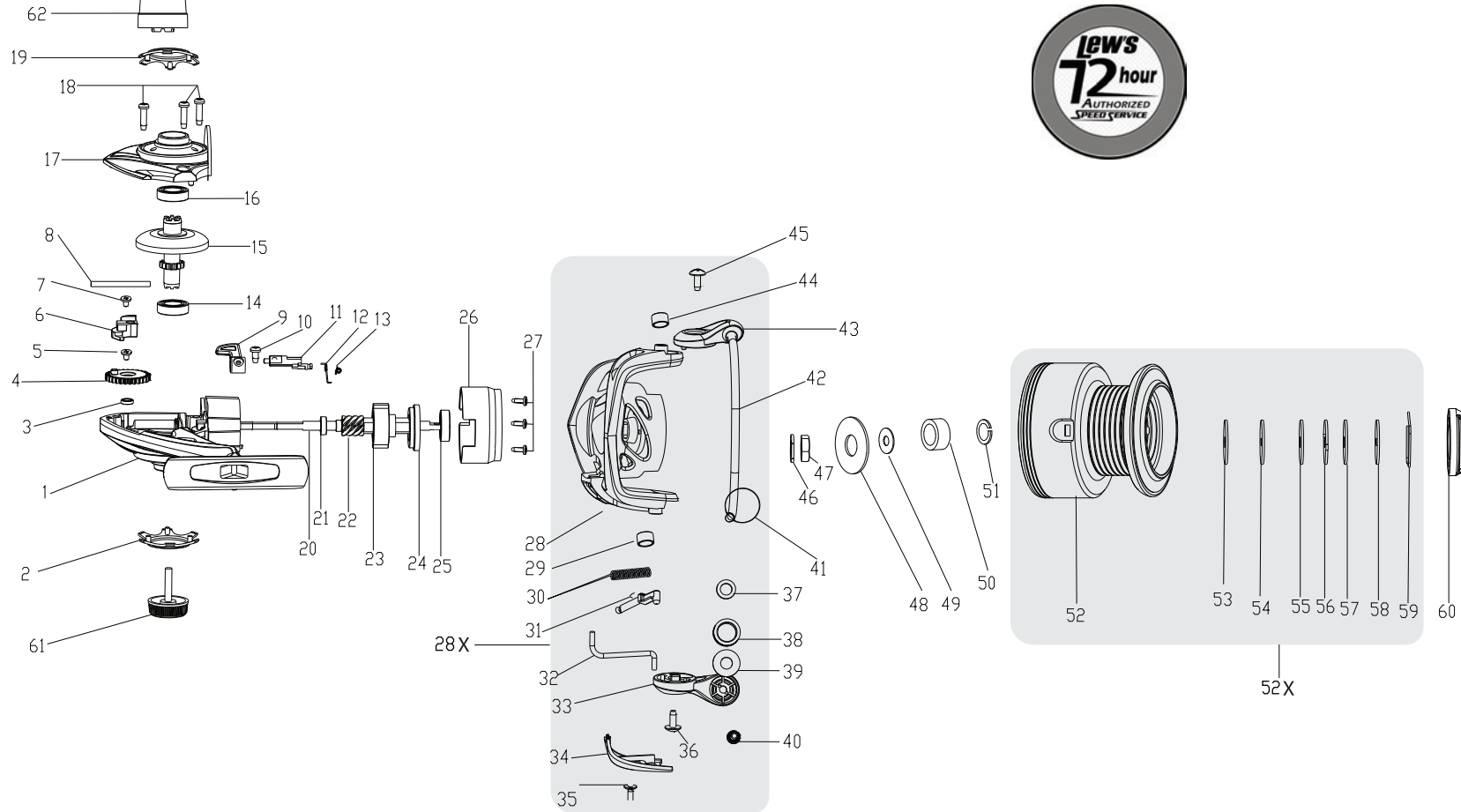
### Maintenance and Care

While applying lubricant to your American Hero® Speed Spin® reel, avoid using multi-purpose oil. Use lightweight silicone based oils or greases made for fishing reels. Apply oil to all bearings and the the main shaft. Apply grease to the bushings, pinion gears and main gears.

After usage your reel should be inspected for dirt or sand and cleaned if excessive buildup is present. If your reel has come in contact with saltwater it is important to flush all parts with water, dry and re-lubricate your reel. Through diligent cleaning and maintenance your Lew's® reel will provide you with years of reliability and sound performance.



# AMERICAN HERO® SPEED SPIN® AH100, AH200, AH300, AH400



KEY NO.	PART NAMES	KEY NO.	PART NAMES	KEY NO.	PART NAMES	KEY NO.	PART NAMES	KEY NO.	PART NAMES	KEY NO.	PART NAMES
1	BODY	12	SPRING	22	PINION GEAR	31	BAIL ARM SUPPORT PIN	42	BAIL ASSEMBLY	52	SPOOL
2	BODY TRIM RING	13	SPRING	23	BAIL ARM COVER	32	KICK LEVER	43	BAIL HOLDER	52X	SPOOL ASSEMBLY
3	BUSHING	14	BALL BEARING	24	BUSHING	33	BAIL ARM	44	BUSHING	53	LINE WASHER
4	OSCILLATION GEAR	15	SCREW	25	BUSHING	34	SCREW	45	SCREW	54	DRAG WASHER
5	SCREW	16	BALL BEARING	26	BALL BEARING	35	BAIL ARM COVER	46	WASHER	55	LINE WASHER
6	SLIDE	17	DRIVE GEAR	27	ONE-WAY CLUTCH PLATE	36	SCREW	47	SCREW	56	DRAG WASHER
7	SCREW	18	SCREW	28	SCREW	37	BUSHING	48	CLICK GEAR	57	LINE WASHER
8	SLIDE GUIDE PIN	19	BODY SIDEPLATE	29	ROTOR	38	BUSHING	49	WASHER	58	DRAG WASHER
9	ANTI-REVERSE LEVER	20	SCREW	30	ROTOR SLIDER	28X	ROTOR ASSEMBLY	39	LINE ROLLER	59	RING
10	SCREW	21	MAIN SHAFT	31	SCREW	32	SPRING	40	WASHER	60	DRAG KNOB
11	ANTI-REVERSE	22	BUSHING	33	SCREW	34	SCREW	41	BUSHING	62	HANDLE ASS'Y W/1-BEARING

If you're looking for quality fishing gear & accessories, visit our website.