

Auto Breech Lock Pro *quick* start guide

Refer to safety guidelines and detailed steps in the instruction manual



- 1** Press fits directly on LEE Steel Base Block included with Reloading Stand # 90688 or Bench Plate # 90251.

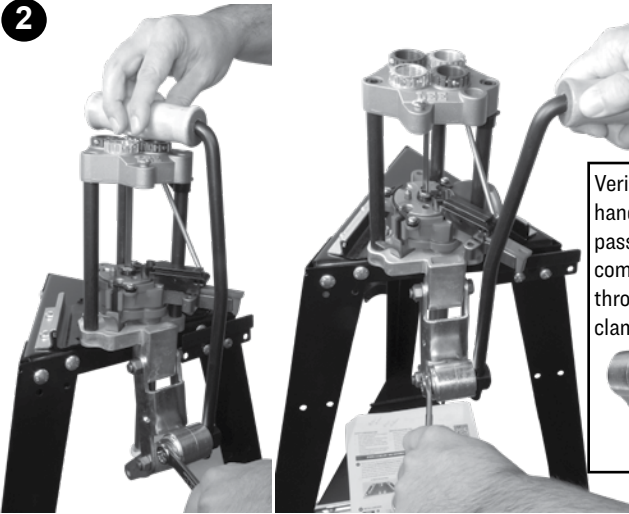
- OR -

Hold this card against work bench edge, fold at dotted line, drill three 17/64" (7mm) holes in your work bench using this card as a drill template.

work bench edge

FOLD

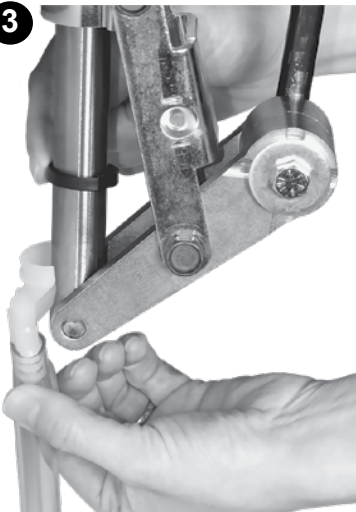
2



Verify the handle passes completely through lever clamp.

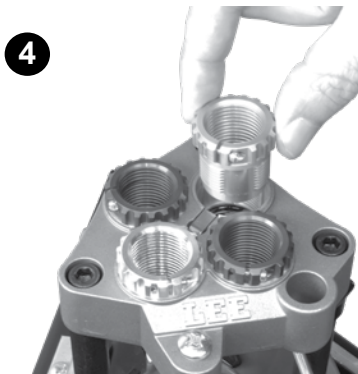
Re-position handle, tighten securely with 1/2" wrench.

3

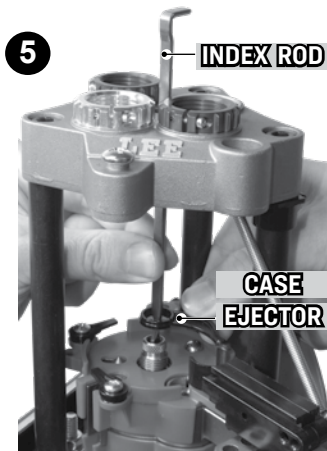


Install spent primer tube.

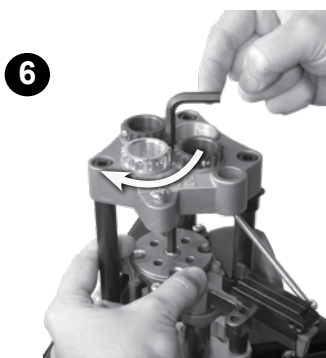
LEE
LEE PRECISION, INC.



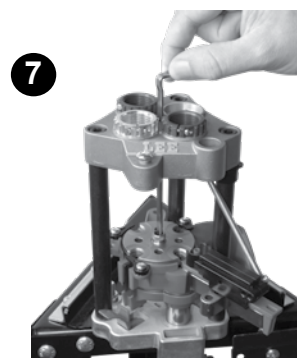
Loosen and remove spline drive breech lock bushing to access index rod.



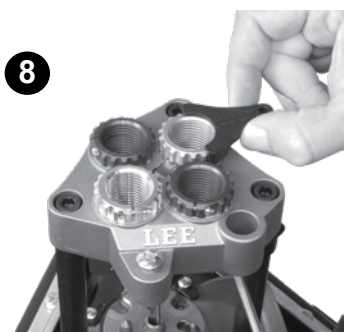
Remove index rod and case ejector.



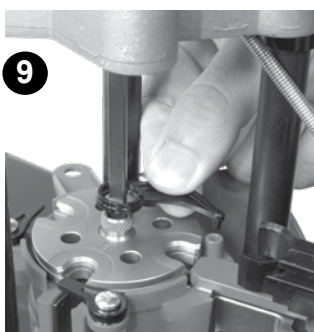
Raise carrier to the mid-stroke position, install shell plate, lightly tighten clockwise with 1/4" hex head wrench



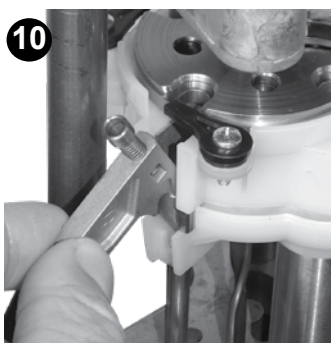
With the carrier near the bottom of the stroke (**handle up**), install index rod.



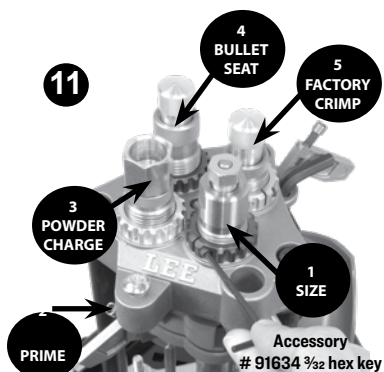
Install spline drive breech lock bushing. Snug with die wrench.



Install case ejector.



Install large or small primer arm.



Remove die lock rings. Install dies according to instructions.

IMPORTANT Lee die set users, screw the # 1 sizing die in until it touches the shell plate. Lower the ram, and screw die in 1/3 turn more.