



LaserMax

Lights & Laser Sights

Catalog



Lasers – the leading edge in deterrence

Nothing sends bad guys the message that they need to stop what they are doing immediately like the red or green dot from a LaserMax laser. Should a threat not heed this warning, you have the target focused accuracy available only from a laser sight at your finger tips.

LaserMax – unmatched quality

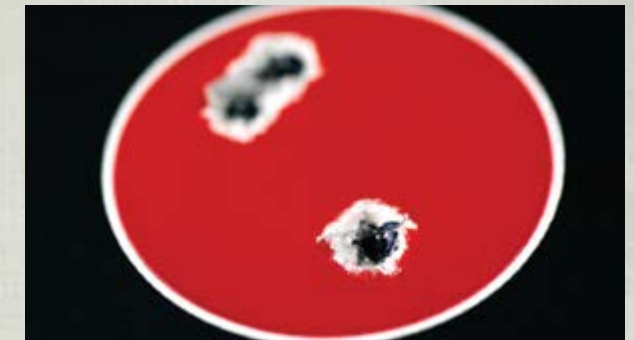
When your life depends on the reliability of your equipment, selection should be based on quality over price and style. When you choose a LaserMax laser or light, you choose a brand that stands behind every product that goes out its doors. That is why all LaserMax laser sighting and illumination systems are covered by an industry leading warranty period. Other companies may claim to stand behind their products but, after all, actions speak louder than words.

Your Advantage



Transcends Language Barriers.

LaserMax lasers speak a universal language, an aggressor knows you do not intend on being a victim the moment they see the LaserMax dot.



Train Faster, Be Safer.

Nothing increases shooting proficiency like a LaserMax laser sight. The instant feedback and ability to remain focused on target afforded by a laser allows the shooter to hone their fundamentals, a valuable tool for both live and dry fire.



Compensates for Diminishing Eyesight.

With age comes a decrease in the ability to focus on close objects, such as a front sight. LaserMax lasers allow for 100% target focused shooting, eliminating this problem.



Accuracy from Tough Positions.

If you are in the prone position or behind cover like a solid wall, tree, engine block of a car or ballistic shield, our lasers enable accurate shots, even when shooting stance is compromised.

LaserMax

A Progression of Lights & Laser Sights

2

2018

Powerful partnership created in Western New York

Crosman Corporation, a leading designer, manufacturer and marketer of airguns, archery products, optics, and related accessories, acquired the Commercial business of LaserMax, Inc., a leading designer and manufacturer of gun mounted laser aiming devices, now known as LaserMax Products.

The combined creativity and strength of the Marketing and Engineering departments along with the reach of Crosman in the marketplace and scale of manufacturing promises to make LaserMax a more formidable force in Laser Sights.

Since being founded in 1989, LaserMax has grown to become a global leader in hardened and miniaturized laser systems, offering a comprehensive line of premium laser sights for home defense, personal protection and training use. The company provides laser sighting solutions and tactical lights to the firearm OEM and retail channels. LaserMax engineers have pioneered numerous developments and patents related to Laser Aiming Device technology resulting in a remarkable intellectual property portfolio.

Since its founding in 1923, Crosman Corporation has been driven by the steadfast pursuit of quality and innovation. Crosman's history is rooted in the airgun industry, where today Crosman remains the market leader in airguns, airgun ammunition, and consumables. Crosman has a diversified product lineup in the outdoor sporting goods industry that includes firearm optics and archery products under the Centerpoint brand. Crosman is a subsidiary of Compass Diversified Holdings Inc (NYSE: CODI).

3

OPTICS

CenterFire Lights & Lasers with GripSense™ Activation

Activates Automatically When You Grip Your Gun



GripSense Activation is the only laser activation technology on the market that does not require you to push a button to turn it on. The GripSense interface senses when the user grips the gun and automatically activates the light/laser, removing any margin for error when facing an immediate threat. Users also have the choice to switch to push-button activation if preferred.

This is an essential sighting tool for training, concealed carry, home defense, and backup use, the CenterFire Light & Lasers project a bright aiming point downrange with a 100 Lumen light to illuminate your target. This is the perfect complement to select Glock, Ruger and S&W small and easily concealed pistols. Rounded and blended to ensure a smooth draw, the CenterFire Light & Laser mounts to the frame without permanent alteration and offers ambidextrous switching to accommodate both right and left-handed shooters. Most operators report immediate improvement to hit ratios after installing a CenterFire Light & Laser Sight.



7 PROGRAMMABLE MODES

YOUR GUN, YOUR CHOICE

- GripSense Activation Enabled
- GripSense Activation disabled
- Light and Laser
- Light and Pulsing Laser
- Steady Laser
- Pulsing Laser
- Light

CenterFire Light & Laser With GripSense Activation

Trigger Mounted Light & Laser For Glock, Ruger, Smith & Wesson

- DUAL activation capable with either GripSense or controlled push button
- GripSense Technology does not alter your grip
- Illuminate your target with a 100 Lumen mint green light
- External Battery access hatch with tool-less entry
- Easily programmable for steady or high-vis pulsed beam
- 10 minute automatic time-out prevents inadvertent battery drain
- GripSense Technology works with most gloves
- Water Resistant Design

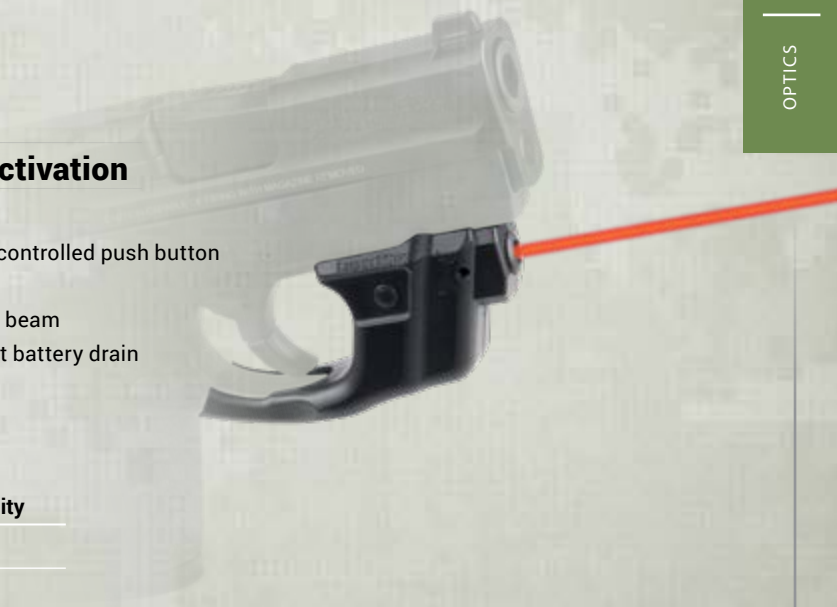


Model	Color	Firearm Compatibility
CF-LC9-C-R	•	Ruger LC9/380/9s
CF-LC9-C-G	•	Ruger LC9/380/9s
CF-SHIELD-C-R	•	S&W Shield 9/40mm
CF-SHIELD-C-G	•	S&W Shield 9/40mm
CF-SHIELD45-C-R	•	S&W Shield .45
CF-SHIELD45-C-G	•	S&W Shield .45
CF-G4243-C-R	•	Glock 42, 43
CF-G4243-C-G	•	Glock 42, 43

New CenterFire Laser With GripSense Activation

Trigger Mounted Laser For Ruger, Smith & Wesson

- DUAL activation capable with either GripSense or controlled push button
- GripSense Technology does not alter your grip
- Easily programmable for steady or high-vis pulsed beam
- 10 minute automatic time-out prevents inadvertent battery drain
- GripSense Technology works with most gloves
- Water resistant design



Model	Color	Firearm Compatibility
GS-LC9S-R	•	Ruger LC9/380/9s
GS-LC9S-G	•	Ruger LC9/380/9s
GS-LCP2-R	•	Ruger LCP II
GS-LCP2-G	•	Ruger LCP II
GS-SHIELD-R	•	S&W Shield 9/40mm
GS-SHIELD-G	•	S&W Shield 9/40mm





Spartan Light & Laser

- Rail Mounted Light & Lasers**
- Illuminate your target with a 120 lumen mint green light
 - Lasers come in vivid red or daytime green
 - Exclusive LaserMax Rail Vise™ Technology will adjust to fit any full size or compact frame
 - The simplicity and value of AAA battery power makes replacement a snap
 - Automatic time-out after 10 minutes prevents inadvertent battery drain

MODEL

- SPS-C-R Light & Red Laser
- SPS-C-G Light & Green Laser



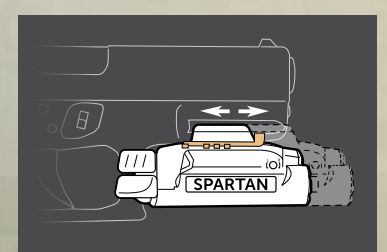
LaserMax Spartan Adjustable Fit Lights & Lasers

6
2018



Better shooting in any light

Don't rely on ambient lighting to identify the threat and accurately engage. Combining optimized illumination with the most accurate laser sighting, Spartan Adjustable Fit Light & Laser gunsights bring a definitive targeting advantage to any full size or compact pistol with 1.75 inch of rail space. LaserMax's exclusive Rail Vise Technology ensures a perfect fit every time.



RAIL VISE™ TECHNOLOGY
Featuring the latest LaserMax mounting technology, Spartan™ enables precision aiming when the lights go out. Whether for range practice, concealed carry or personal defense, Spartan™ dramatically improves shooting confidence, accuracy and speed.

7
OPTICS

Spartan Laser

- Rail Mounted Lasers**
- Rail Vise™ mounting technology accommodates varied hand sizes
 - Oversized paddle switch offers simple ambidextrous activation
 - Integral Picatinny rail permits attachment of tactical light
 - Maintains precision accuracy over extensive live-fire
 - Automatic time-out after 10 minutes prevents inadvertent battery drain

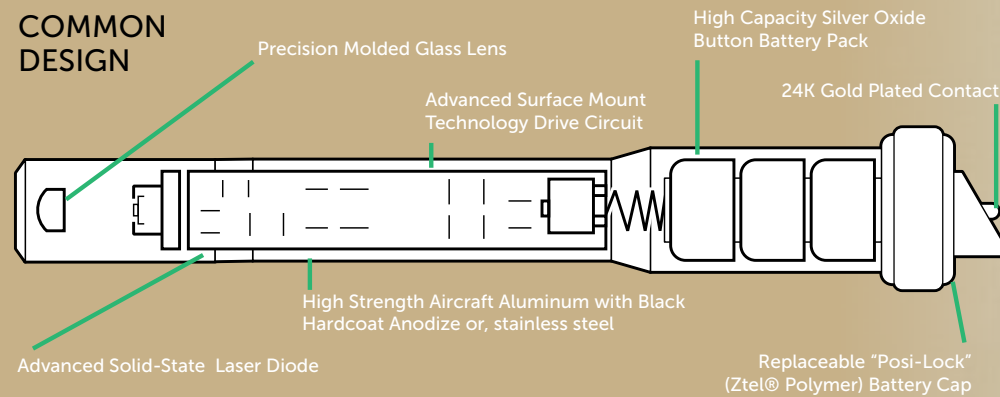
MODEL

- SPS-R Red Laser
- SPS-G Green Laser



The Most Technologically Advanced Laser System

Guide Rod Lasers are seamlessly integrated into your pistol by replacing the recoil spring guide assembly. After over 25 years, these sights remain the sighting choice of top professionals around the world, and for good reason. No other laser system even approaches the survivability of Guide Rod Lasers for use in extreme environments.



To ensure maximum product performance and reliability, the LaserMax® Guide Rod Laser™ is manufactured using only the most premium raw materials.

The Guide Rod Laser has been subjected to more strenuous testing than any other laser sighting system on the market. Frozen in ice, roasted in flames, crushed with heavy machinery, submerged to depths of 66-feet, shot to 20,000 rounds and dropped from five-story heights, the Guide Rod Laser meets and exceeds both NIJ and MIL-SPEC standards for issue firearms. No laser sight in the world gets subjected to more rigorous testing.



Guide Rod Laser

- For Glock, Sig Sauer, Springfield Armory, Beretta/Taurus
- Pulses for superior visibility and faster identification
 - Internal design does not restrict grip and allows you to use existing holsters
 - Distinct ON/OFF switch reinforces safe firearm handling
 - Proximity to the bore provides maximum POA/POI accuracy
 - Guaranteed alignment ensures center of mass shots

GLOCK

FULL SIZE

Model	Color	Firearm Compatibility
LMS-1141P	•	Glock 17, 22, 31, 37 Gen 1-3
LMS-1141G	•	Glock 17, 22, 31, 37 Gen 1-3
LMS-G4-17	•	Glock 17, 34 Gen 4
LMS-G4-17G	•	Glock 17, 34 Gen 4
LMS-1141LP	•	Glock 17L, 24, 34, 35 Gen 1-3
LMS-1151P	•	Glock 20, 21, 20SF, 21SF
LMS-1151G	•	Glock 20, 21, 20SF, 21SF
LMS-G4-22	•	Glock 22, 35 Gen 4
LMS-G4-22G	•	Glock 22, 35 Gen 4
LMS-G4-1151	•	Glock 20, 21, 41 Gen 4
LMS-G4-1151G	•	Glock 20, 21, 41 Gen 4

COMPACT & SUBCOMPACT

Model	Color	Firearm Compatibility
LMS-1131P	•	Glock 19, 23, 32, 38 Gen 1-3
LMS-1131G	•	Glock 19, 23, 32, 38 Gen 1-3
LMS-1161	•	Glock 26, 27, 33 Gen 1-3
LMS-1161-G4	•	Glock 26, 27 Gen 4
LMS-1181	•	Glock 36 Gen 1-3
LMS-G4-19	•	Glock 19 Gen 4
LMS-G4-19G	•	Glock 19 Gen 4
LMS-G4-23	•	Glock 23 Gen 4
LMS-G42	•	Glock 42
LMS-G43	•	Glock 43





LaserMax

Guide Rod Laser

BERETTA | TAURUS

Model	Color	Firearm Compatibility
LMS-1441	•	Beretta 92, 96 "Full Size", Taurus 92, 99, 100, 101
LMS-1441G	•	Beretta 92, 96 "Full Size", Taurus 92, 99, 100, 101

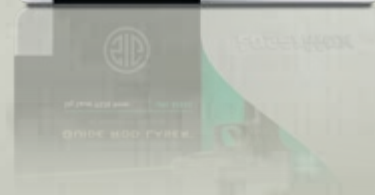


10

2018

SIG SAUER

Model	Color	Firearm Compatibility
LMS-2201	•	Sig Sauer P220, .45 ACP "Full Size"
LMS-2251	•	Sig Sauer P225
LMS-2261	•	Sig Sauer P226 9mm
LMS-2261G	•	Sig Sauer P226 9mm
LMS-2263	•	Sig Sauer P226 .357 Sig, .40 S&W
LMS-2291	•	Sig Sauer P228, P229
LMS-2291G	•	Sig Sauer P228, P229



SPRINGFIELD ARMORY

Model	Color	Firearm Compatibility
LMS-3XD	•	Springfield XD® 3"–Sub-Compact 9mm, .40 S&W Springfield XD® MOD.2™ – 3" Sub-Compact 9mm
LMS-XDMS	•	Springfield XD(M), 4.5-inch 9mm, .40 S&W



11

OPTICS

Uni Rail Mounted Lasers



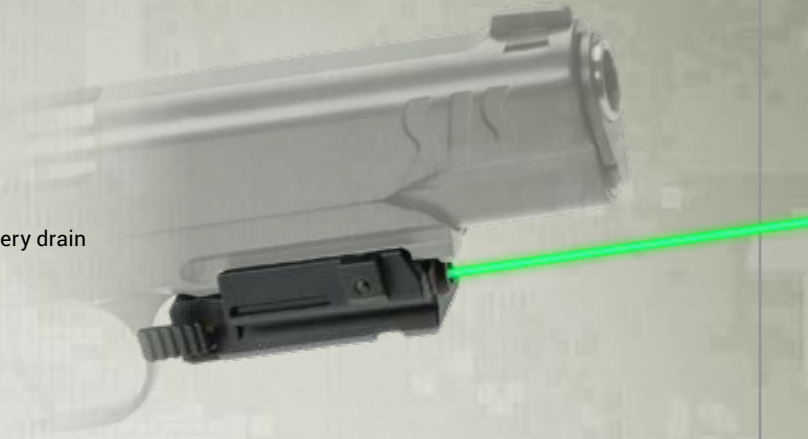
Uni

Rail Mounted Lasers

- Requires only 1.75-inches of rail space
- Quick attach/detach system permits installation in the field
- Easily programmable for steady or high-vis pulsed beam
- Automatic time-out after 10 minutes prevents inadvertent battery drain
- Fully adjustable for windage and elevation

MODEL

- LMS-UNI-ES Red Laser
- LMS-UNI-G Green Laser
- LMS-UNI-IR Infrared Laser

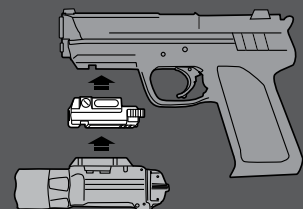


UNI™

Infinitely Adaptable

As small as a matchbox and no heavier than a single .45 ACP round, UNI series lasers add error-free precision without weighing you down. Attach one to pistols, carbines, tactical shotguns, MSRs, paintball guns, archery equipment and more. Windage and elevation settings are easily adjusted to accommodate any platform at any distance.

UNI Rifle Kits include a Momentary Activation Switch (MAS) for comfortable pressure activation from almost any position, even with gloved hands. Available in Red, Green and Infrared.



Integrated Accessory Rail

OUR LOWEST PROFILE LASER AT .5 INCH

- Power Source: 2 - 357 or 1/3N batteries
- Activation: Ambidextrous Paddle Switch
- Alignment: +/- 1.5" POA at 10 yards
- Weight: 0.8 ounces with battery
- Material: Thermoplastic housing
- Operating range: -21° to 65° Celsius

Uni Rifle Value Packs

Rail Mounted Laser For Rifles

- Requires only 1.75-inches of rail space
- Quick attach/detach system permits installation in the field
- Easily programmable for steady or high-vis pulsed beam
- Automatic time-out after 10 minutes prevents inadvertent battery drain
- Fully adjustable for windage and elevation
- Momentary Activation Switch (MAS) for comfortable pressure activation from almost any position, even with gloved hands
- Manta™ Switch & Rail Covers to ensure the tightest fit

MODEL

- LMS-UNI-ES-RVP Red Laser
- LMS-UNI-GVP Green Laser
- LMS-UNI-IR-RVP Infrared Laser



Uni Accessories

Momentary Activation Switch

- Model LMS-UNI-MAS-6 6 inch cord
- Model LMS-UNI-MAS-10 10 inch cord

Cover for Switch & Cord

- Model LMS-MANTA



Micro II Rail Mounted Lasers

MICRO II

Small & Tough

With a fiberglass reinforced nylon (FRN) housing, convenient Quick-Change Battery Hatch™ and advanced programming, the newest generation of the popular Micro™ laser system is now better than ever. Less than an inch in length and weighing only half an ounce, Micro II™ is remarkably small yet delivers the strength and durability necessary to withstand the shock of repetitive recoil while holding zero, round after round. Easily installed on any Picatinny or Weaver rail, the contoured profile of the Micro II won't snag when holstered or carried in a bag, pocket or on a belt. Micro II's bright aiming point gets you on target fast and with the smallest footprint of any LaserMax model it fits more pistols than any other rail mounted laser offered today.

Boasting over 5 hours of battery life, the Micro II features an automatic battery preservation mode that turns the laser off after 10 minutes, safeguarding against unintentional battery drain. An ambidextrous switch enables both left and right-handed shooters to activate the laser with ease. Adjustable windage and elevation allows for precise targeting and the laser is user-programmable for a constant or high-visibility pulsed laser mode.



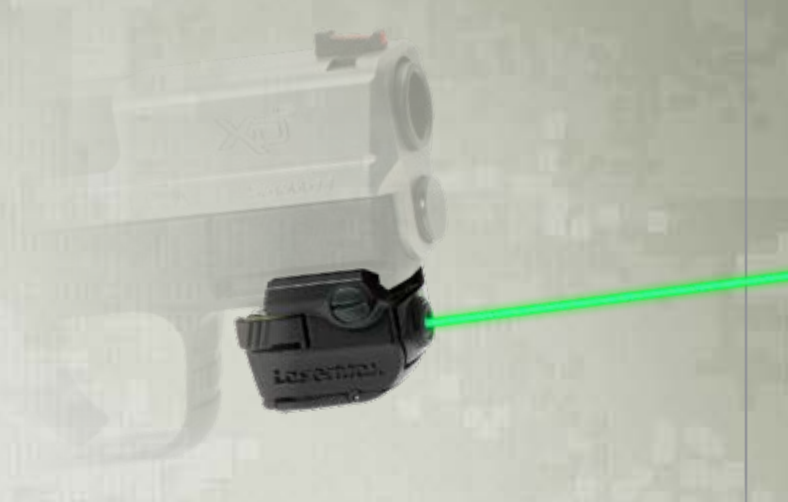
Micro II

Rail Mounted Lasers

- Fits more firearm models than any other laser
- Ideally suited for compact and subcompact pistols
- Distinct ambidextrous TAP ON/TAP OFF switch reinforces safe firearm handling
- Convenient Quick-Change Battery Hatch™ permits safe on-the-gun battery changes
- Automatic time-out after 10 minutes prevents inadvertent battery drain
- Fully adjustable for windage and elevation

MODEL

- MICRO-2-R Red Laser
- MICRO-2-G Green Laser



Micro

Rail Mounted Laser

- Fits more firearm models than any other laser
- Ideally suited for compact and subcompact pistols
- Distinct ambidextrous TAP ON/TAP OFF switch reinforces safe firearm handling
- Automatic time-out after 10 minutes prevents inadvertent battery drain
- Fully adjustable for windage and elevation

MODEL

- MICRO-IR Infrared Laser

Ruger SR22 Rail Mounted Laser

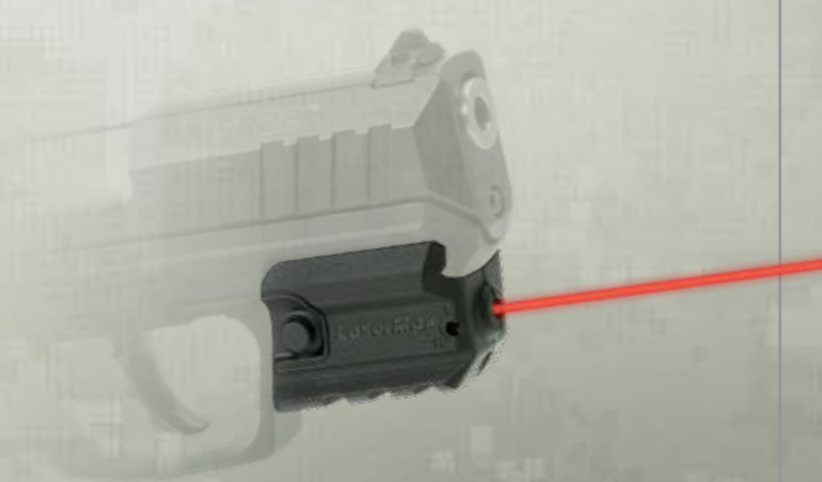
Ruger SR22

Rail Mounted Laser

- Ambidextrous activation
- Integral Picatinny rail permits attachment of tactical light
- Maintains precision accuracy over extensive live-fire
- Automatic time-out after 10 minutes prevents inadvertent battery drain

MODEL

- LMS-RMSR Red Laser





LaserMax

CenterFire Lasers

16

2018

CENTERFIRE®

Perfecting the pocket pistol

Designed specifically for use on small handguns that lack an accessory rail, CenterFire Lasers emit a bright aiming point from right under the bore to ensure maximum accuracy. Pistol selection is based on form as well as function, each CenterFire sports a minimalist design that complements the firearm's aesthetics. Rounded and blended to ensure a smooth draw, CenterFire lasers mount to the pistol frame without permanent alteration and offer ambidextrous switching to accommodate both right and left-handed shooters. Most operators report immediate improvement to hit ratios after installing a CenterFire laser sight.



Modern defensive pistols continue to shrink in size. This is great news for shooters with small hands and those looking to conceal on smaller frames. BUT, the smaller the gun, the shorter the sight radius and the more challenging it is to shoot accurately. Enter the CenterFire laser sight.

CenterFire Laser

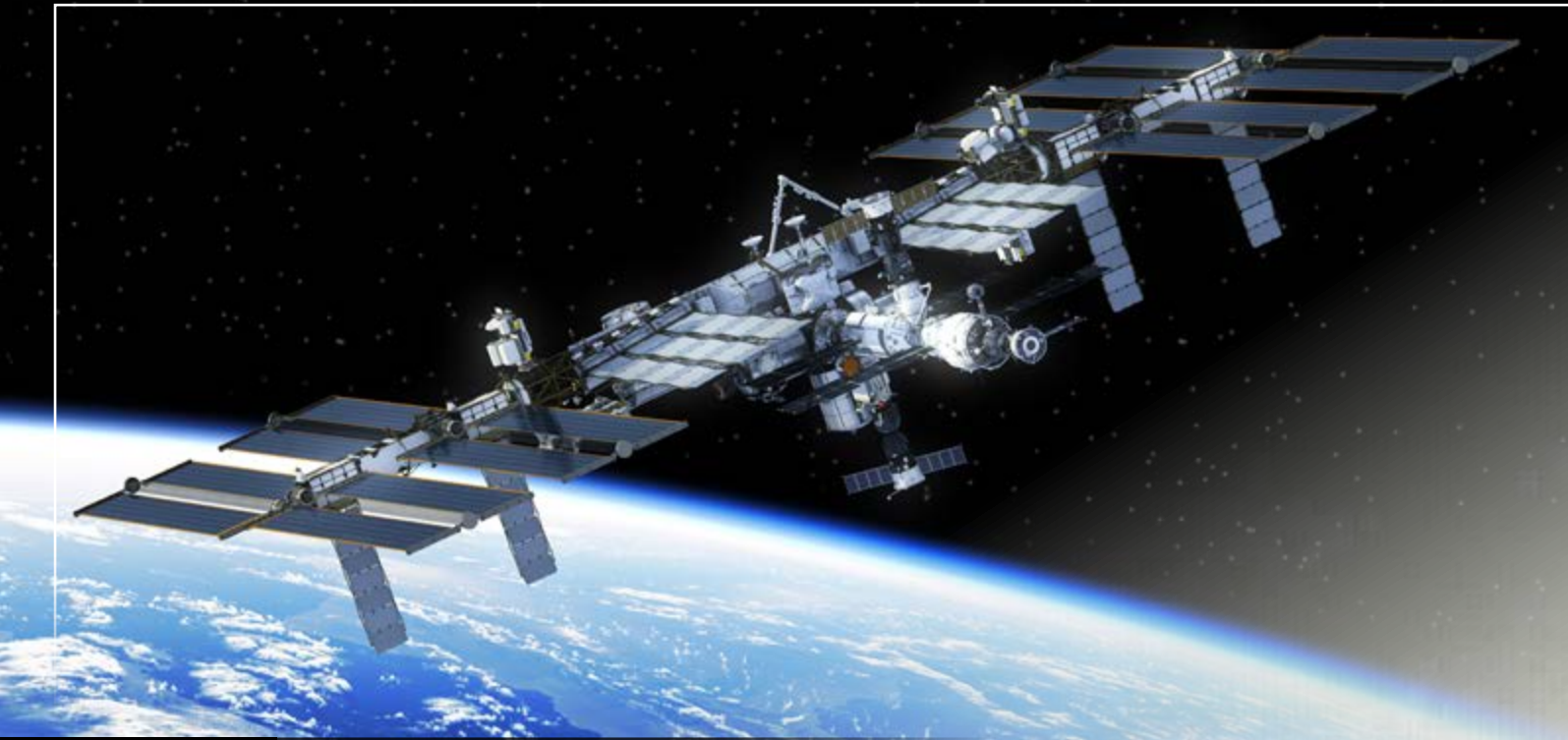
Trigger Mounted Laser For Beretta, Kahr, Ruger, Smith & Wesson

- In line with barrel for greatest accuracy
- Ideal for every day carry
- 10 minute automatic time-out prevents inadvertent battery drain
- Ambidextrous TAP ON/TAP OFF switch reinforces safe firearm handling
- Fully adjustable for windage and elevation
- Water resistant design

Model	Color	Firearm Compatibility
CF-NANO	•	Beretta Nano
CF-SHIELD	•	S&W Shield 9mm, .40
CF-SHIELD-45	•	S&W Shield .45
CF-KAHR-PM9	•	P9/40, PM9/40, CM9/40, CW9/40, CT9/40
CF-LC9	•	Ruger LC9/380/9s
CF-LCP	•	Ruger LCP
CF-LCR	•	Ruger LCR/LCRx

17

OPTICS



LaserMax

Industrial and Scientific

18

2018

LaserMax Precision Laser Modules Solutions for Industrial, Scientific and Research applications

LaserMax is a world-class manufacturer of precision miniature diode laser (MDL) systems that are and have been trusted by the designers of advanced scientific, medical, and metrology equipment for use in demanding aerospace, industrial, scientific, medical, research and security applications. Whether used to align optical elements in telescopes, to support imaging in medical diagnostics, to measure polluting particulate matter in water, to create templates for custom auto parts or in orbital applications, LaserMax MDL systems have a proven history of starting on-spec. and staying on-spec. year after year in the harshest environments on earth - and beyond.

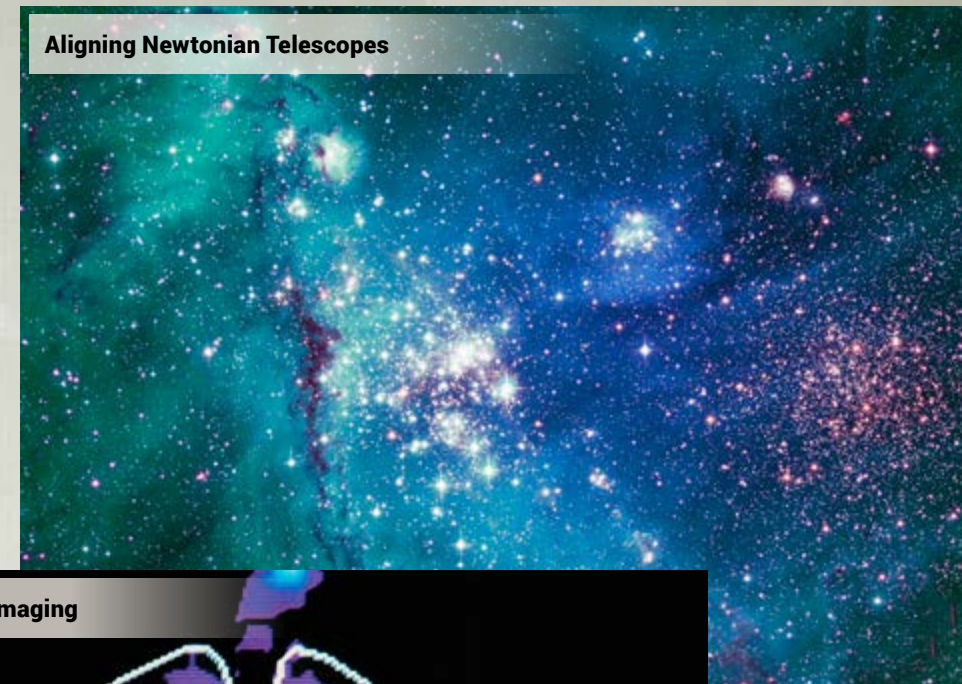
LaserMax MDL products are designed and assembled in-house and are supported by our in-house customer service and engineering teams. We can offer MDL products that not only meet our exacting specifications but that also meet your exact ones. Why work around a "standard" laser when you can have one that gives you exactly what you want, where you want, and how you want it?

As a supplier, LaserMax is constantly being evaluated by our customers. We receive the best ratings for on-time deliveries and for product quality and value. In letters, customers tell us that our diode laser modules are the most reliable they have seen in the industry and that the consistency and reliability LaserMax MDL systems have helped their businesses to grow.

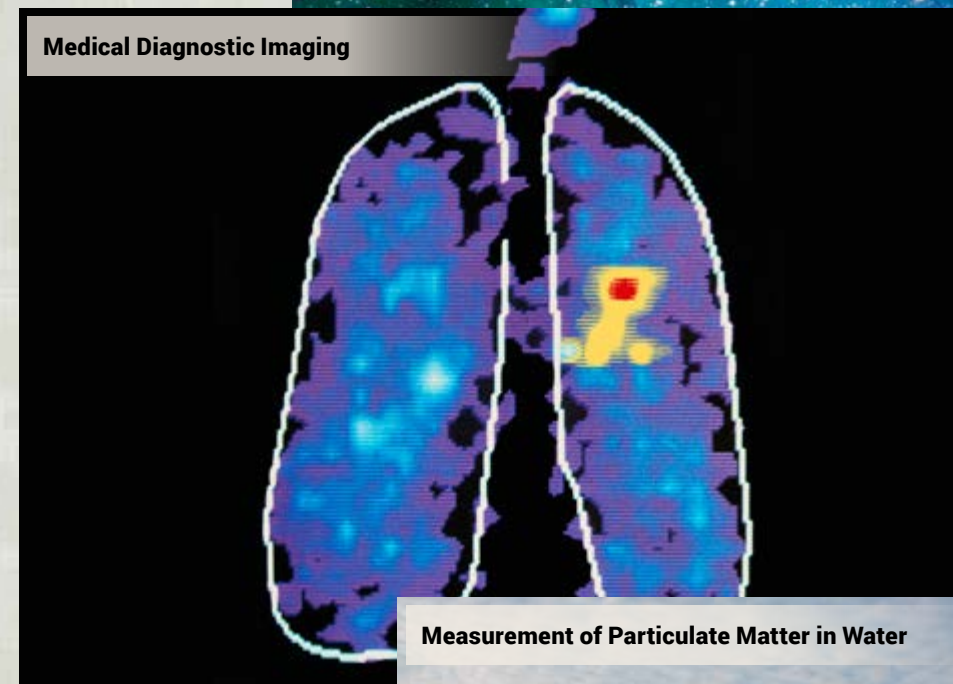
LaserMax is committed to bringing this standard to the next generation of mission critical applications and products.

LaserMax MDL systems – let's grow together.

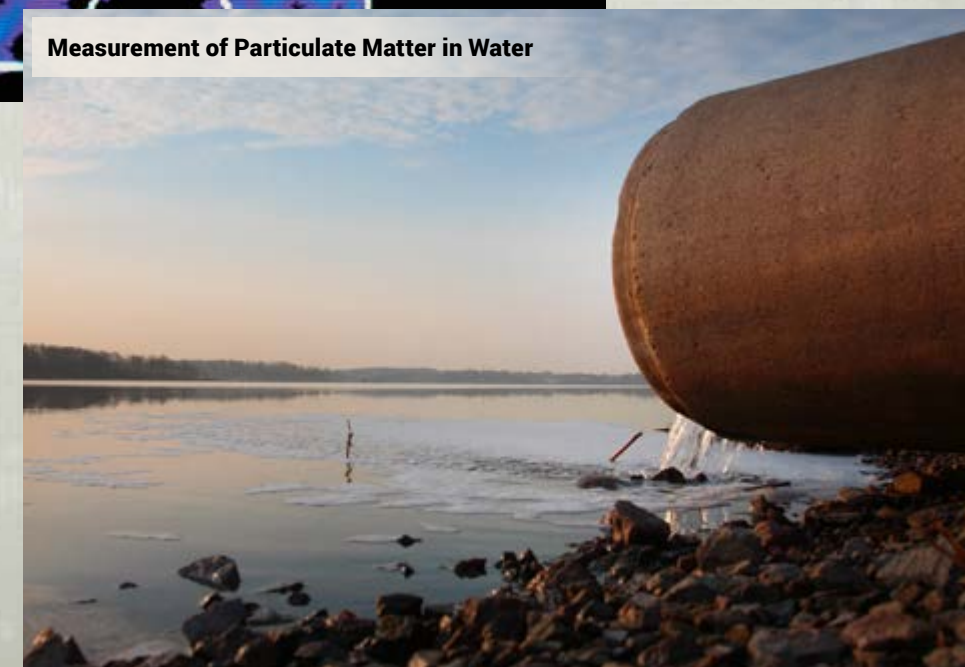
Aligning Newtonian Telescopes



Medical Diagnostic Imaging



Measurement of Particulate Matter in Water



19

OPTICS