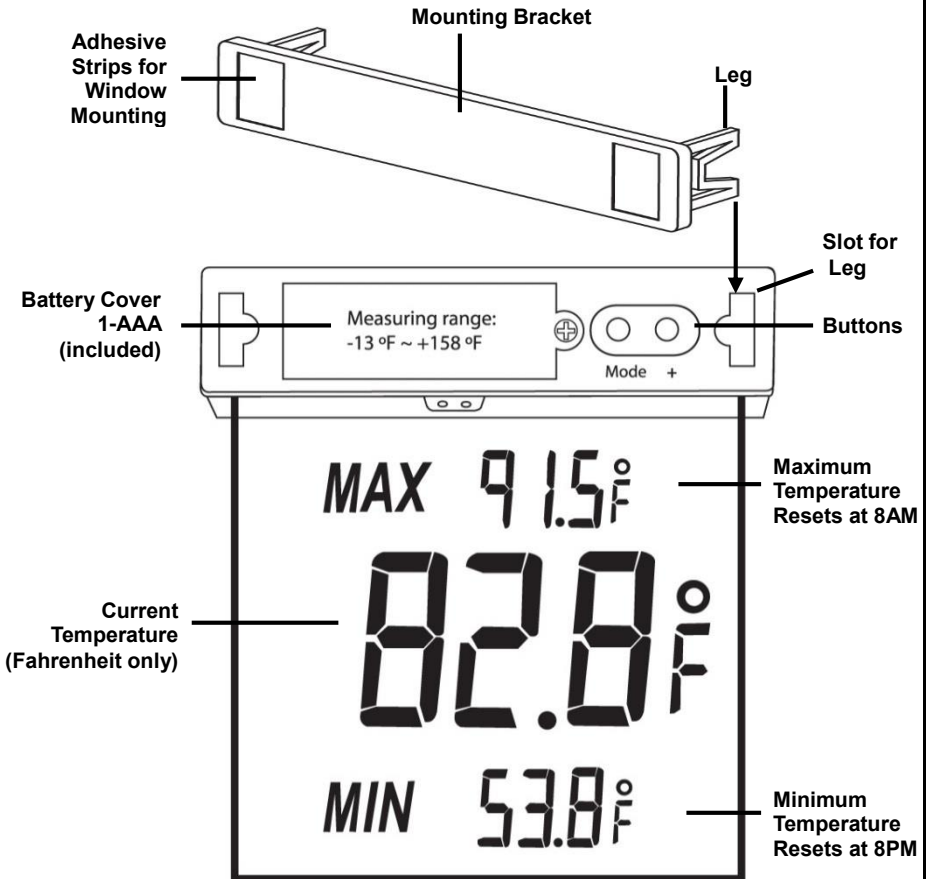


OUTDOOR WINDOW THERMOMETER

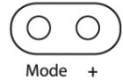


Get Started

- Step 1:** Grasp both ends of the mounting bracket and remove from the window thermometer
- Step 2:** Use a screwdriver open the battery compartment.
- Step 3:** Remove the plastic tab from between the AAA battery and the positive terminal. The display will become active.
- Step 4:** Replace the battery compartment door.
- Step 5:** Remove the protective film from the display of the thermometer.
- Step 6:** Set time (required so MIN/MAX temperature resets correctly).

Restart: If the display does not become active, remove the battery and check that the entire plastic tab was removed. Reinsert the battery.

Set Time (hours, minutes)



1. Press the **MODE** button to enter the setting mode.
2. The Hours digits will flash in the center of the display.
3. Press and release the **+** button to advance the Hour.
Note: From midnight to noon, "A.M." will be displayed on the left of the display. From noon to midnight "P.M." will be displayed on the left side of the display.
4. Press and release the **MODE** button to confirm the hour and advance to the minutes setting.
5. The Minutes digits will flash at the bottom of the display.
6. Press and release the **+** button to advance the Minute.
7. Hold down the **+** button to advance the minutes faster.
8. Press and release the **MODE** button to confirm the minutes and exit the time setting mode.

Installation

To obtain the most accurate temperature reading, be sure to mount the thermometer out of direct sunlight. Mounting the unit in direct sunlight will cause artificially high temperature readings.

1. Select an outdoor window location for mounting, which is easy to view.
2. Clean the glass surface completely before mounting.
3. **Note:** Clean the surface of dust and dirt and let the area **dry** completely, prior to mounting the thermometer. Failure to do so may result in bad adhesion between the window and mounting bracket.
4. Practice placing the mounting bracket level on the window before removing plastic from adhesive strips. It is difficult to remove the mounting bracket once attached to the window.
5. Remove the plastic from the adhesive strips.
6. Press the mounting bracket adhesive strips against the glass.
7. Once the mounting bracket is attached to the window, firmly press the window thermometer onto the mounting bracket. The "legs" of the bracket will fit into the slots of the thermometer.

Note: To improve UV and rain protection and the clearness of the display, when it is dark, use the enclosed plastic plate. The plate slides easily on the back of the thermometer.

Remove thermometer from mounting bracket

The display is delicate. Do not bend when removing the thermometer from the mounting bracket.

- Grasp the ends of the thermometer and pull back firmly. The thermometer will come free and the mounting bracket will stay attached to the window.

Remove mounting bracket from window

The mounting bracket is attached to a clean window with a strong adhesive tape.

- To remove the mounting plate, gently slide a flat blade under one end of the mounting plate.

- **Slowly** and firmly pull one end of the mounting bracket from the window.
Repeat on the other side.

Note: The adhesive will not release unless you pull slowly. You may need to replace the adhesive tape once the mounting bracket has been removed.

MAX/MIN Readings

- The upper display shows the maximum temperature.
 - The middle display shows the current temperature.
 - The lower display shows the minimum temperature.
 - The **minimum** temperature automatically resets at **8:00 P.M.**
 - The **maximum** temperature automatically resets at **8:00 A.M.**
- Note:** If the time is not set, the minimum and maximum temperatures will not be reset at the correct local time.

Accuracy

Due to heat emission and the protected location of your window, it is possible for the temperature displayed to be higher than the outdoor temperature would read at another nearby unsheltered location.

Low Battery Indication

- If the LCD appears faint or is not working properly, try a fresh battery before contacting customer support.
- We recommend that you replace the batteries in all units regularly to ensure optimum accuracy of this unit.

Specifications

Measuring range:	-13 °F to +158 °F (Fahrenheit only)
Accuracy:	32 °F to 122 °F ± 1.8 °F, otherwise ± 2.7 °F
Resolution:	0.1 °F (0.1°F)
Battery:	1 "AAA" LR3 alkaline battery (included)
Receiver:	4" x 3.75" x 0.75"

Care and Maintenance

- **Do not mix old and new batteries**
- **Do not mix Alkaline, Standard, Lithium or Rechargeable Batteries**
- Always purchase the correct size and grade of battery most suitable for the intended use.
- Replace all batteries of a set at the same time.
- Clean the battery contacts and also those of the device prior to battery installation.
- Ensure the batteries are installed correctly with regard to polarity (+and -).
- Remove batteries from equipment with is not to be used for an extended period of time.
- Remove used batteries promptly.
- Do not expose to extreme temperature, vibration or shock.
- Clean with a soft damp cloth. Do not use solvents.
- The product is not a toy. Keep it out of reach of children.
- The product is not to be used for medical purpose or for public information. It is intended for home use only.

- The specifications of this product may change without prior notice.
- Improper use or unauthorized opening of housing voids warranty.

FCC Statement

This equipment has been tested and found to comply with the limits for a Class B digital device, pursuant to part 15 of the FCC Rules. These limits are designed to provide reasonable protection against harmful interference in a residential installation. This equipment generates, uses and can radiate radio frequency energy and, if not installed and used in accordance with the instructions, may cause harmful interference to radio communications. However, there is no guarantee that interference will not occur in a particular installation. If this equipment does cause harmful interference to radio or television reception, which can be determined by turning the equipment off and on, the user is encouraged to try to correct the interference by one or more of the following measures:

- Reorient or relocate the receiving antenna.
- Increase the separation between the equipment and receiver.
- Connect the equipment into an outlet on a circuit different from that to which the receiver is connected.
- Consult the dealer or an experienced radio/TV technician for help.

This device must not be co-located or operating in conjunction with any other antenna or transmitter. **Operation is subject to the following two conditions:**

- (1) this device may not cause harmful interference, and**
(2) this device must accept any interference received, including interference that may cause undesired operation.

Caution!

The manufacturer is not responsible for any radio or TV interference caused by unauthorized modifications to this equipment. Such modifications could void the user authority to operate the equipment.

All rights reserved. This manual may not be reproduced in any form, even in part, or duplicated or processed using electronic, mechanical or chemical process without the written permission of the publisher.

This booklet may contain errors or misprints. The information it contains is regularly checked and corrections are included in subsequent editions. We disclaim any responsibility for any technical error or printing error, or their consequences.

All trademarks and patents are recognized.