

Read me
FIRST

KENYON[®]

Make any day a weekend

Installation Instructions

Table of Contents

Section	Page
Product Specifications	3
Care Instructions	4
Assembly Instructions	
Items Required	4
Package Contents	4
Instructions	5

**PLEASE READ THESE INSTRUCTIONS
IN THEIR ENTIRETY BEFORE USE.
SAVE THESE INSTRUCTIONS**

IMPORTANT SAFEGUARDS

Read your All Seasons™ Electric Grill Manual.

To move cart around:

1. Unplug grill and allow to cool.
2. Remove any utensils or cooking equipment from cart shelf.
3. Grasp underneath your grill cart between the legs from the side without wheels.

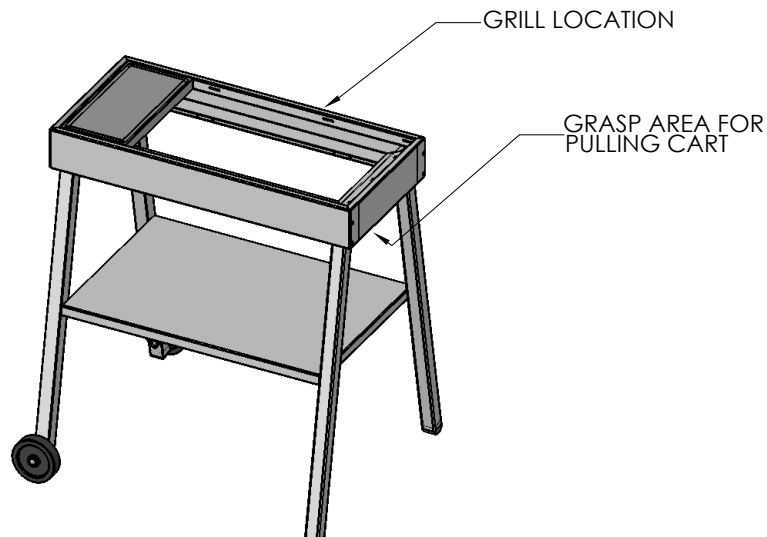


FIGURE 1 - KENYON ALL SEASONS™ GRILL CART

PRODUCT SPECIFICATION

All Seasons™ Grill Cart

Model A70026 & A70027

Overall dimensions: 28 1/2" x 25" x 31 3/16"

723.9mm x 635mm x 792.2mm

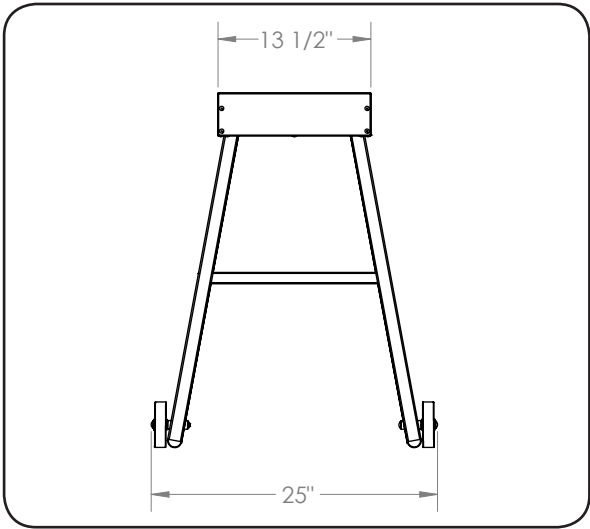
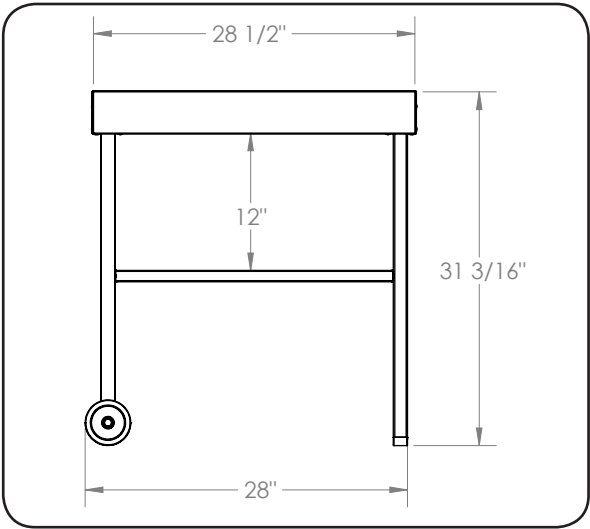


FIGURE 2 - GRILL CART DIMENSIONS

CARE INSTRUCTIONS

Your Kenyon grill cart came with a sample bottle of stainless steel cleaner. Use this cleaner once a month to keep your grill cart looking like new. Rub the stainless steel cleaner with the grain, never across or diagonally.



ASSEMBLY INSTRUCTIONS

Items Required

- Multi-surface cleaner
- Soft towel or paper towels

Package Contents

- (1) KENYON All-Seasons Side Wheel Grill Cart Assembly Instructions
- (1) Grill Cart Top Assembly
- (1) Leg, Front w/ End Cap Pre-installed
- (1) Leg, Rear w/ End Cap Pre-installed
- (2) Leg, Glide
- (1) Lower Shelf
- (1) Cutting Board

Hardware Bag

- (2) Axle w/Cap Pre-installed
- (2) Black Washer
- (2) Axle Cap
- (4) Wheel Bushing, Angle End
- (4) 3/16" X 1.5" Length Quick-Release Pins w/ Ring
- (5) #10-32 X 1/2" length Button Head Screw, Stainless Steel
- (1) 1/8" Hex Allen Wrench
- (2) Leg Glide

Wheel Bag

- (2) Black Wheel
- (1) Thread-lock Compound
- (1) Bottle Stainless Steel Cleaner/Polish

If any components are missing or damaged, call KENYON immediately.

Instructions

Step 1 - Unpack and Inspect Grill Cart Components

- Unpack cart components carefully, laying the parts out on a clean work surface. Check for damage or missing items. Refer to the package content list.
- Strip all of the protective vinyl from the sheet metal components. Leave any visible paint marks intact.
- Use a towel or other soft fabric to place components onto during unpacking and assembly to prevent scratching.

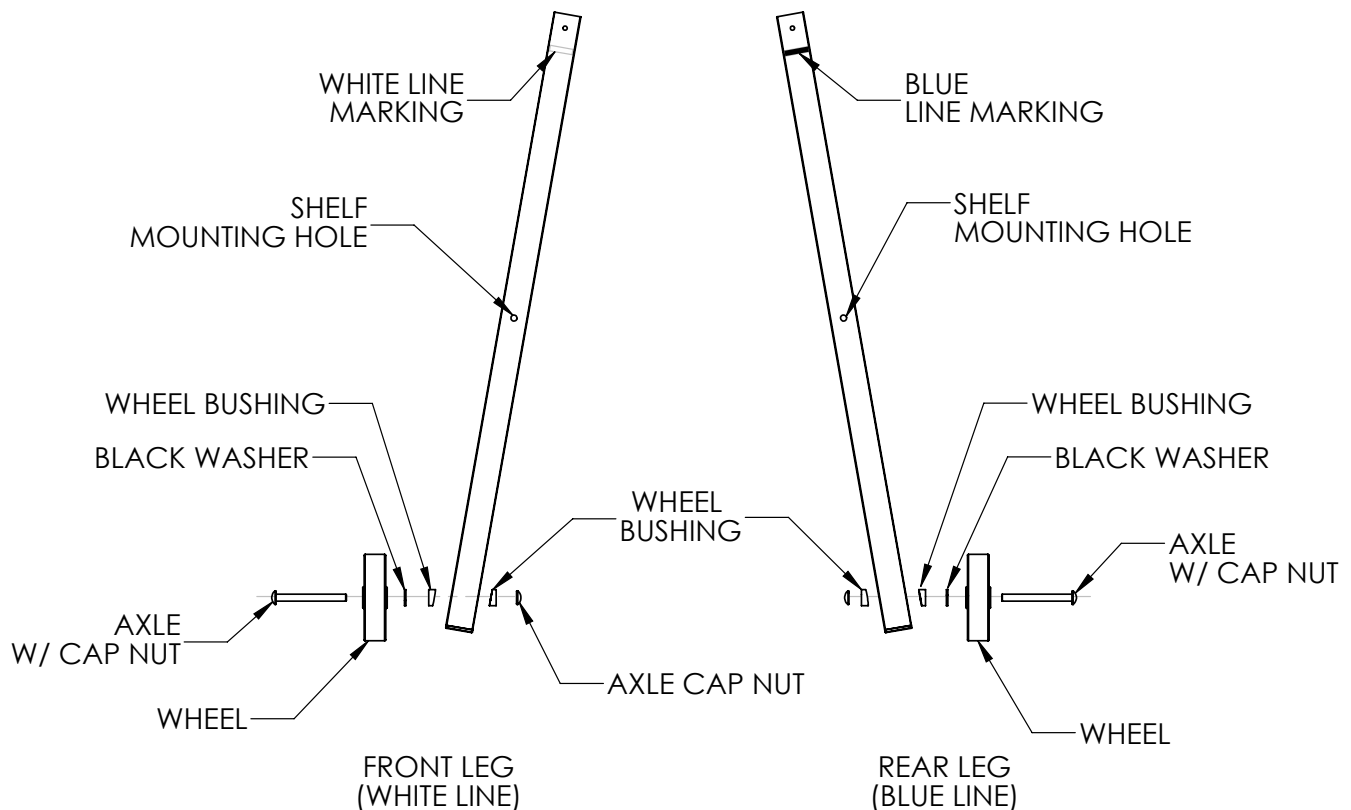


FIGURE 3 - WHEEL ASSEMBLY

Step 2 – Leg / Wheel Assembly

- Locate the front leg with the affixed white dot, and the rear leg with the blue dot, and remove the cardboard packing. Both legs should have a black plastic cap installed on one end, and blue or white paint lines on the opposite ends.
- Locate the hardware kit and remove the axle components. The axles will have a cap pre-installed to one end.
- Position front and rear legs on a flat surface as shown in figure 3, with the white paint line facing up and to the left, and the blue paint line facing up and to the right. The legs will be angled so that the ends with the large drilled axle holes on the side are angled outwards, forming a pyramid shape.
- Remove the wheels from the bag. Slide (1) axle through the hole in each wheel, and place both on the work surface with axle ends facing up.

- e. Place (1) black washer over each axle.
- f. Place (1) angle end bushing onto each axle over the washer, with the angle end surface facing up.
- g. Slide (1) wheel/axle assembly onto one of the legs, aligning the axle end to the outer hole at the bottom of the leg. Press the axle completely through the leg, moving the leg slightly to align the axle to the inner hole as it passes through. Position the angle of the bushing flush with the side of the leg.
- h. While holding the wheel assembly to the leg, rotate the leg so that the wheel is facing down. Rest the wheel on a heavy towel or other cushion surface to avoid damage to the axle cap.
- i. Slide (1) angle end bushing over the axle with the angled surface facing down, resting flush with the leg surface.
- j. Place (1) axle cap onto the axle end and press firmly down onto the axle, positioning the cap flat to the wheel. Place aside.
- k. Repeat steps g – j for the other leg.
- l. Locate the remaining two legs with affixed green dots and remove the cardboard packing.
- m. Remove the leg glides from the hardware kit.
- n. Install one leg glide to the end of each green marked leg, at the opposite end of the green line. The flats of the glide should be on the same sides of the leg as the shelf holes located in the center of the legs.

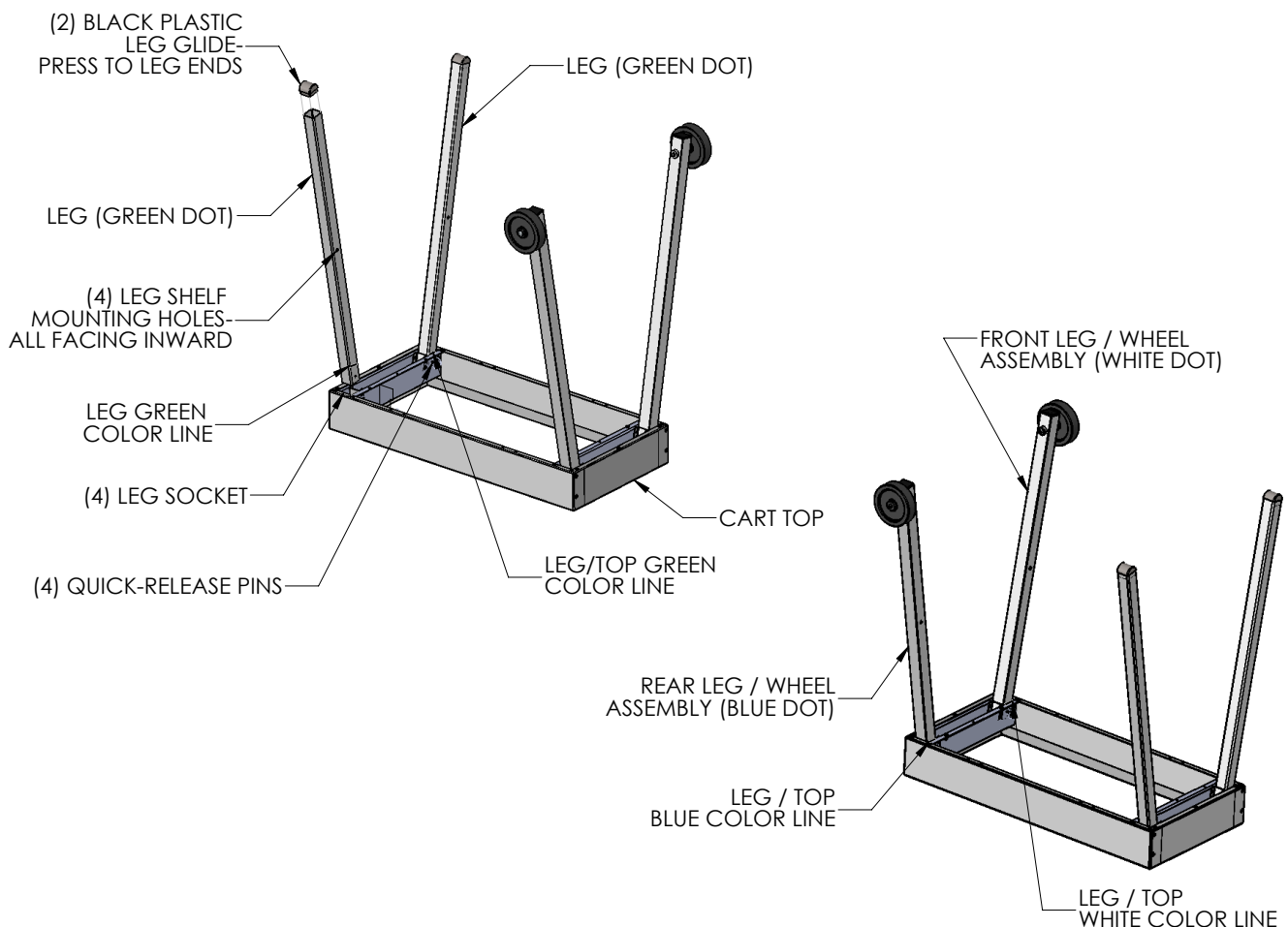


FIGURE 4 - LEG/TOP ASSEMBLY

Step 3 – Leg to Top Assembly

- a. Place the grill cart top on the work surface with the leg sockets facing up. The color paint marks will be visible along the sockets. Refer to figure 4.
- b. Remove the (4) quick release pins from the hardware kit.
- c. Slide each leg into the socket with the corresponding color mark, mating the lines of the legs to the lines of the cart top as shown in figure 4. The fit may be snug, you may need to wiggle the leg around to get it to seat fully.
- d. Slide (1) quick release pin into each hole in the side of each leg socket. Use caution while assembling to avoid slipping of the hand onto adjacent sheet metal edges. You may need to move the legs a bit to align the holes of the leg to those of the leg channel. The pins are installed fully when the ring on the pin is flush against the leg socket channel.

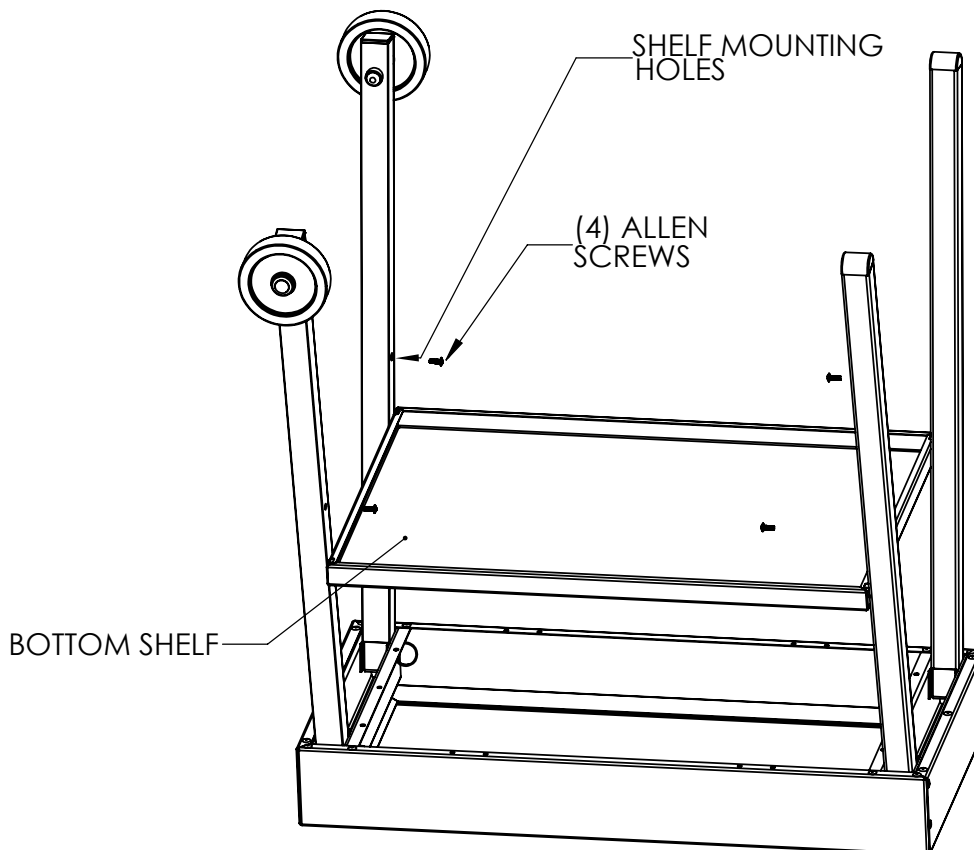


FIGURE 5 - LOWER SHELF ASSEMBLY

Step 4- Lower Shelf Assembly

- a. Locate the Lower Shelf. Remove the (4) allen screws and allen wrench from the hardware kit.
- b. Locate the thread-lock compound from the wheel bag.
- c. Apply a drop or two of thread-lock compound to the threads of each of the (4) mounting screws, and screw them into the threaded holes located within the inner surface of each leg, approximately half-way up. Refer to figure 5. Turn the screws in until they are 1/8" from the leg surface, using the allen wrench as a gage between the screw head and the leg. Keep the (1) extra screw as a spare.

- d. Flip the cart over so it is standing upright.
- e. Note that the lower shelf has slots on the sides for the screws to slide into. Slide the lower shelf in from the cart front on an angle, above the screws. Carefully seat the shelf onto the screws. You may need to push or pull gently on one or more legs to get the shelf to seat fully into place.
- f. Using the ball end of the allen wrench, tighten the screws initially snug against the shelf for all four screws. Then use the opposite end of the wrench to completely tighten the screws. Use caution while tightening to avoid slipping of the hand onto adjacent sheet metal edges.

Step 5- Clean and Polish your new Grill Cart

- a. Using a multi-purpose spray cleaner and towels, remove adhesive traces and dust from the grill cart surfaces.
- b. Locate the Stainless Steel Cleaner Polish supplied. Polish the stainless steel surfaces, applying the polish with a towel a small amount at a time. Rub in the direction of the grain marks only. Continue rubbing all traces of the polish off, leaving a brilliant shine.
- c. Locate the cutting board and wash with warm soap and water. Allow to dry.

Step 6- Grill and Cutting Board Installation

- a. Place your KENYON All Seasons grill into the cart top toward the side without the wheels, routing the GFCI electrical cord through the cart top opening and out toward the rear of the cart. Refer to figure 1. Maintain the grill location to the side of the cart without wheels so that the cart will be stable during movement.
- b. Place the cutting board into the cart top cavity, alongside the grill.
- c. ENJOY!

Note- Store this manual, extra screw and the allen wrench within the large bag, in a safe place for easy reference for future disassembly and reassembly.