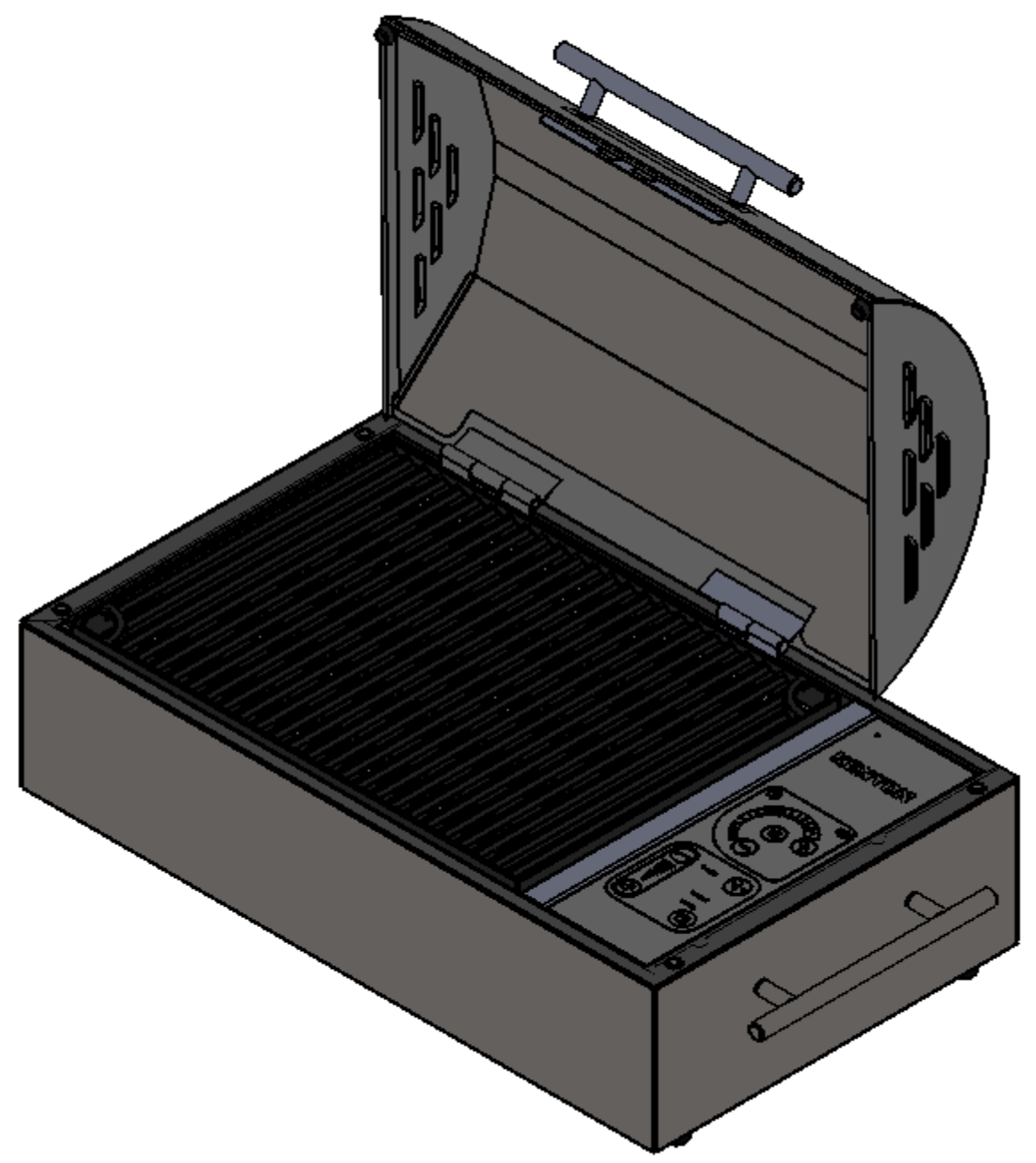
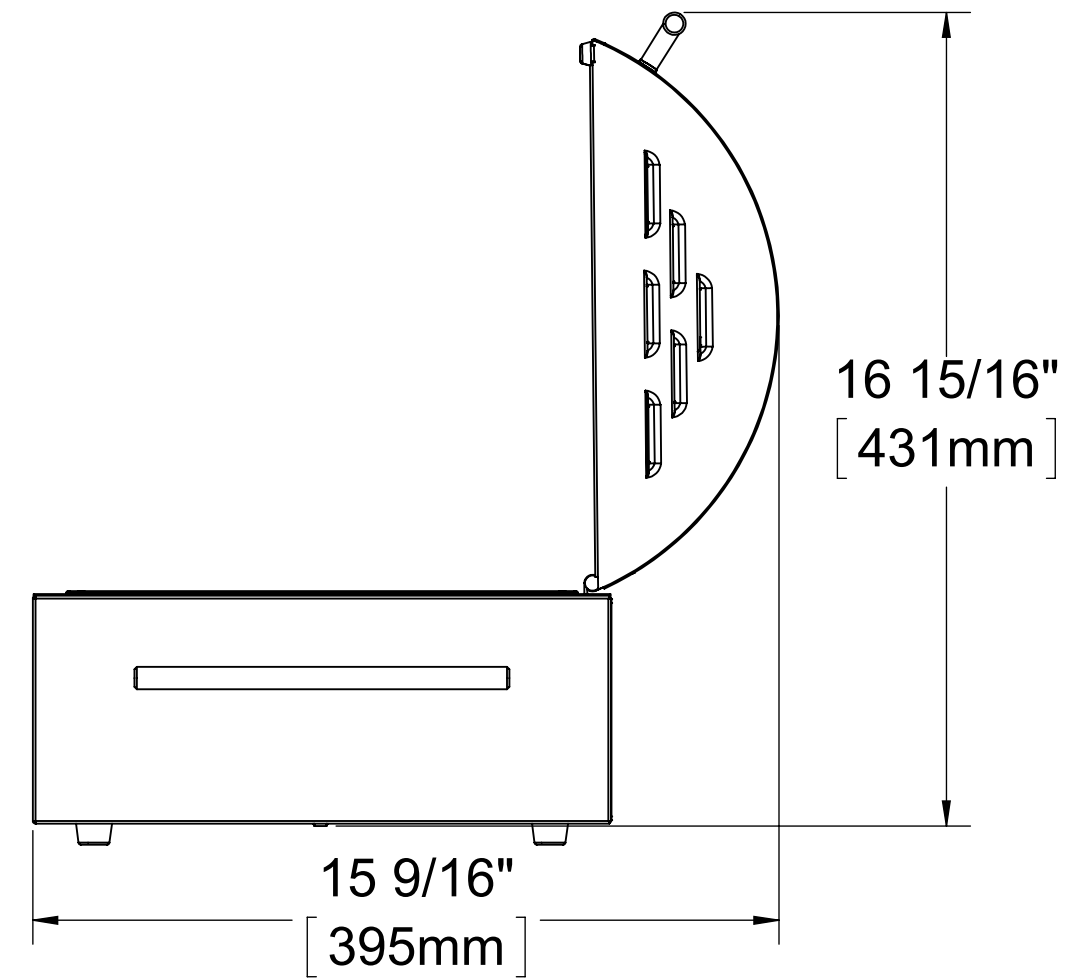
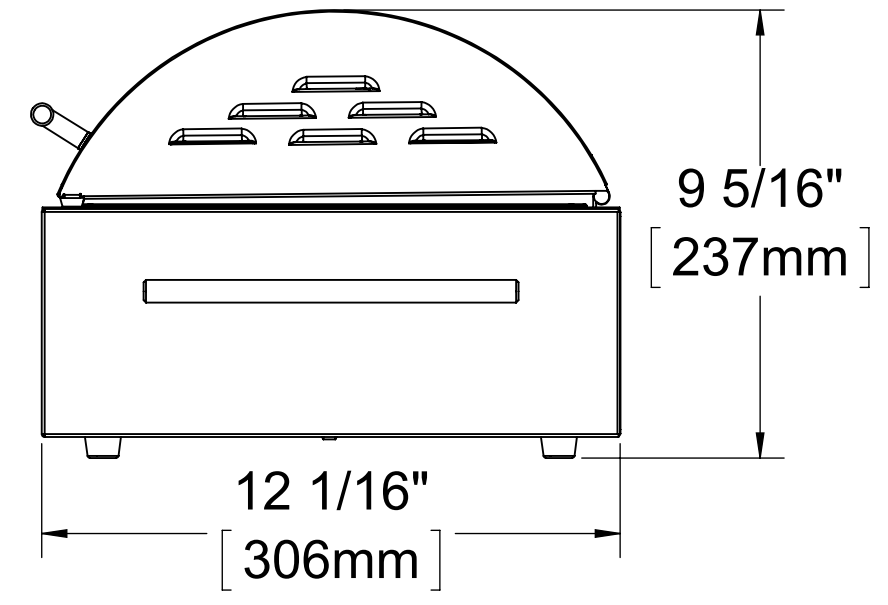
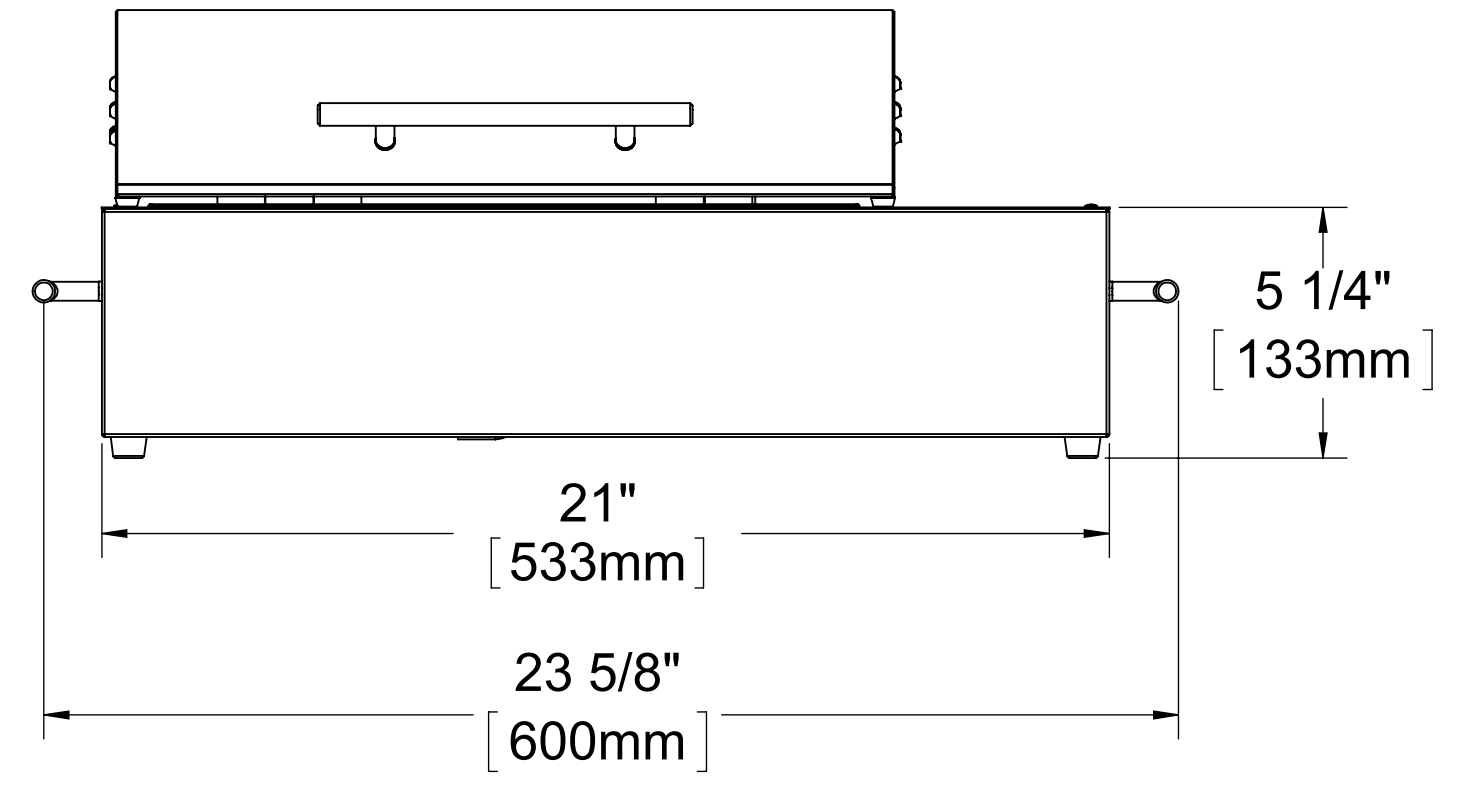
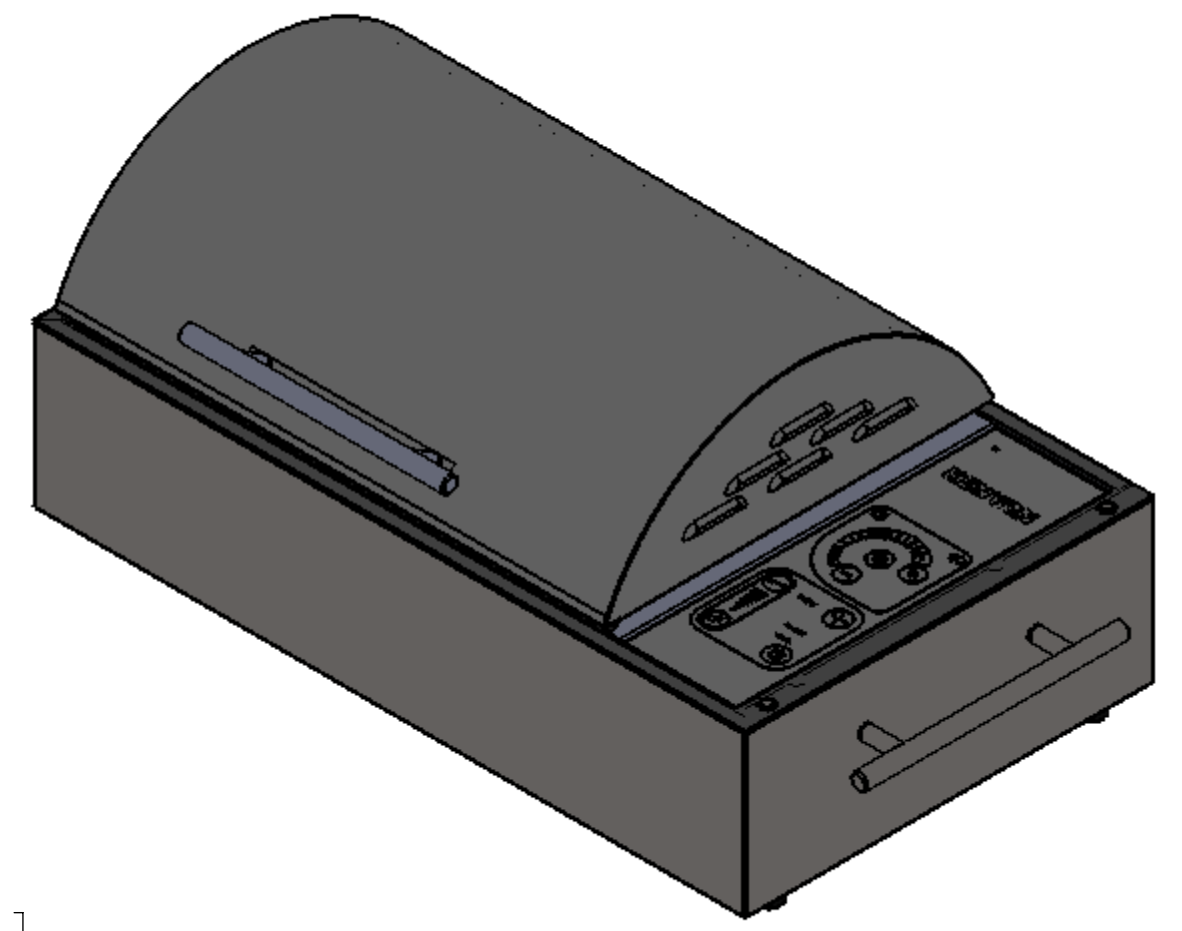


8 7 6 5 4 3 2 1

F
E
D
C
B
A

F
E
D
C
B
A



PROPRIETARY AND CONFIDENTIAL
THE INFORMATION CONTAINED IN THIS DRAWING IS THE SOLE PROPERTY OF KENYON INTERNATIONAL. ANY REPRODUCTION IN PART OR AS A WHOLE WITHOUT THE WRITTEN PERMISSION OF KENYON INTERNATIONAL IS PROHIBITED.

UNLESS OTHERWISE SPECIFIED: DIMENSIONS ARE IN INCHES TOLERANCES: ANGULAR: MACH ± 0.50° BEND ± 1.00° TWO PLACE DECIMAL ± .010" THREE PLACE DECIMAL ± .005" INTERPRET GEOMETRIC TOLERANCING PER ANS/ASME Y14.5M-2009		DRAWN	NAME	DATE	KENYON INTERNATIONAL 8 HERITAGE PARK - PO BOX 925 CLINTON, CT 06413	
	CHECKED	GSP	10/26/17	TITLE:		
	ENG APPR.			SINGLE ZONE INTELLIGEN FLORIDIAN LID		
	MFG APPR.					
	Q.A.			SIZE	DWG. NO.	REV
	COMMENTS:			C	B70582	
NEXT ASSY	USED ON	FINISH		SCALE: 1:1	WEIGHT:	SHEET 1 OF 1
APPLICATION		DO NOT SCALE DRAWING				

8 7 6 5 4 3 2 1