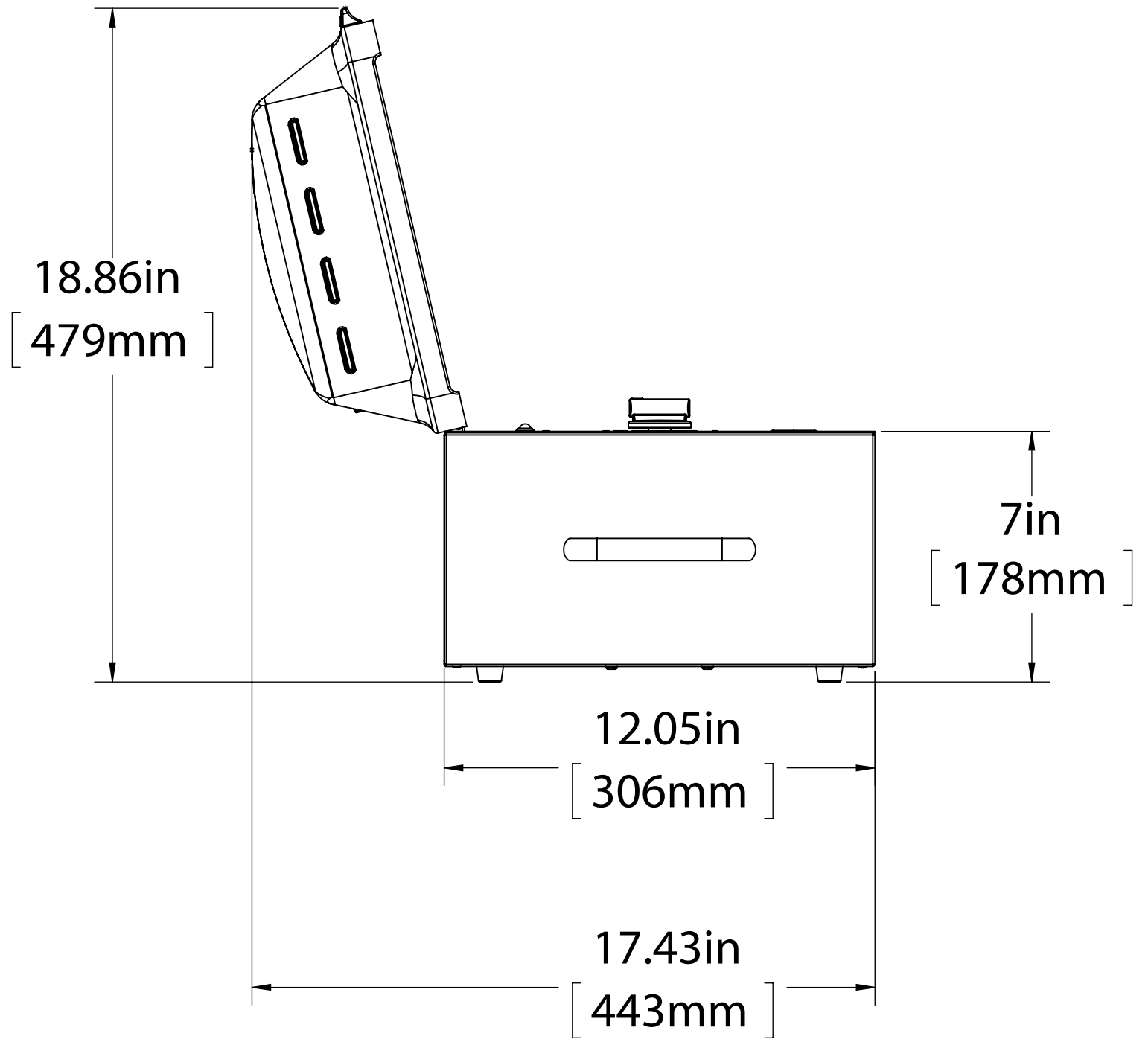
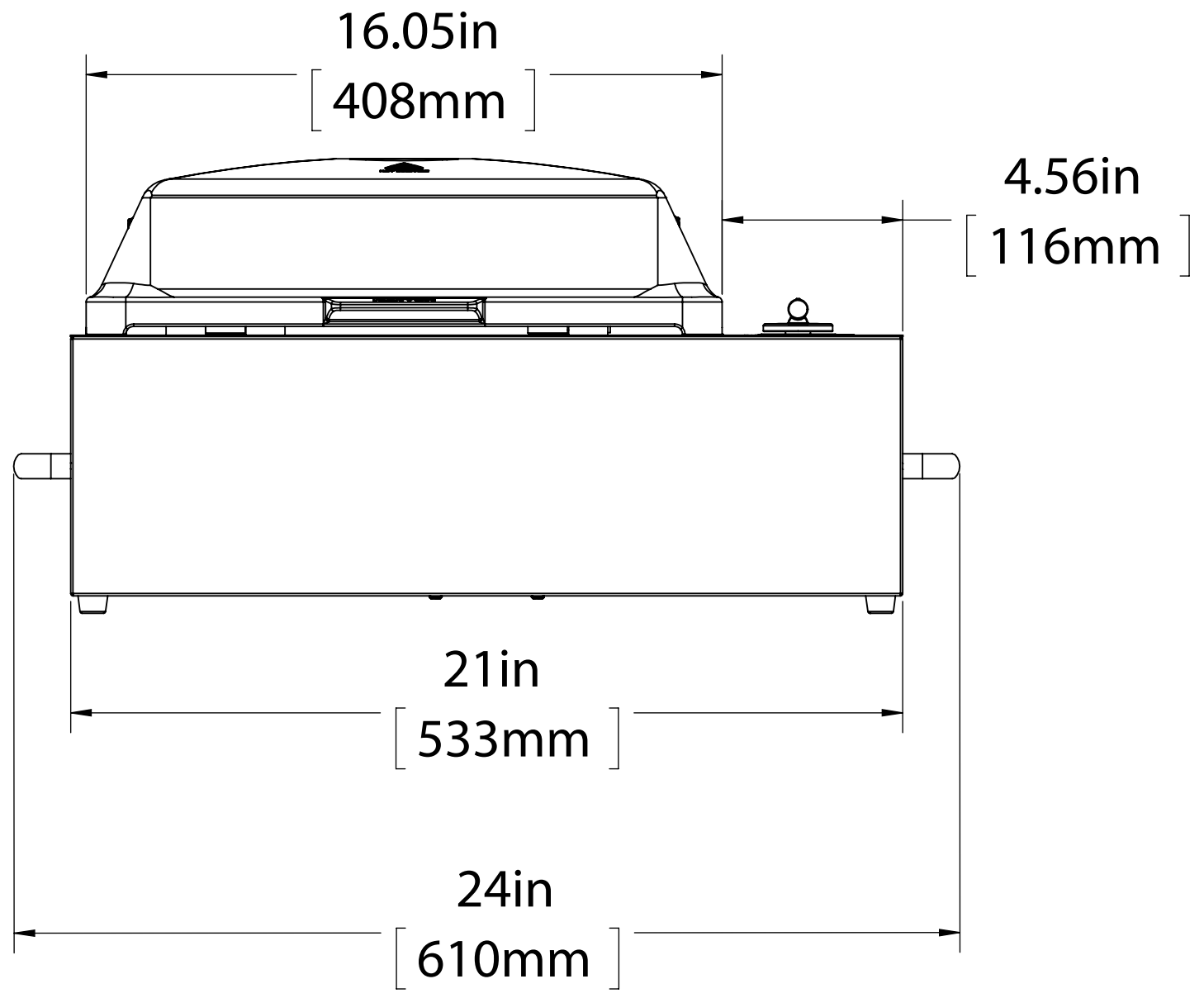
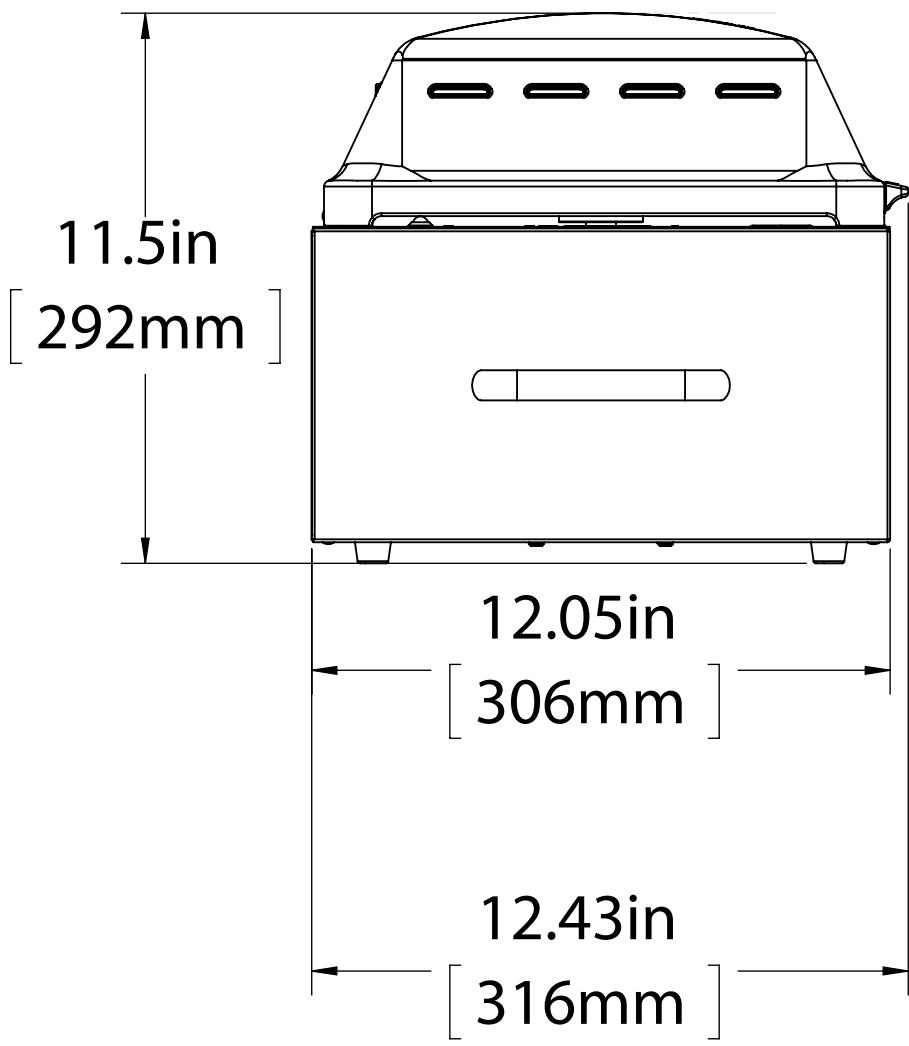


8 7 6 5 4 3 2 1

F  
E  
D  
C  
B  
A



8 7 6 5 4 3 2 1

<small>PROPRIETARY AND CONFIDENTIAL THE INFORMATION CONTAINED IN THIS DRAWING IS THE SOLE PROPERTY OF KENYON INTERNATIONAL. ANY REPRODUCTION IN PART OR AS A WHOLE WITHOUT THE WRITTEN PERMISSION OF KENYON INTERNATIONAL IS PROHIBITED.</small>		<small>KENYON INTERNATIONAL 8 HERITAGE PARK - PO BOX 925 CLINTON, CT 06413</small>	
<small>SIZE</small> <b>C</b>	<small>DWG. NO.</small> <b>B70076PM</b>	<small>REV</small>	
<small>SCALE: 1:8</small>	<small>WEIGHT:</small>		<small>SHEET 1 OF 1</small>