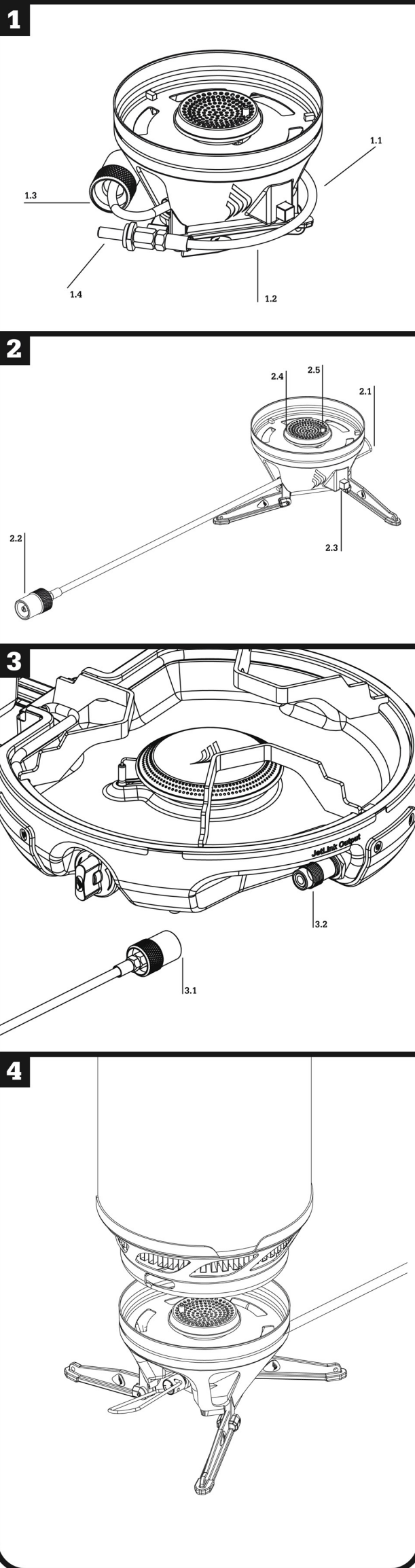




Model: LUNA(x)

Instructions for use



(EN) ENGLISH

Important: Read these warnings and instructions for use carefully to familiarize yourself with the appliance before connecting it to its gas container. Keep these instructions for future reference. **USE OUTDOORS ONLY**

FOR YOUR SAFETY

FOR YOUR SAFETY

If you smell gas:

1. Do not attempt to light appliance.
2. Extinguish any open flame.
3. Disconnect from fuel supply.

FOR YOUR SAFETY

Do not store or use gasoline or any other liquids with flammable vapors in the vicinity of this or any other appliance.

CARBON MONOXIDE HAZARD

⚠ DANGER



CARBON MONOXIDE HAZARD

This appliance can produce carbon monoxide, which has no odor. Using it in an enclosed space can kill you. Never use this appliance in an enclosed space such as a camper, tent, car, or home.

If there is a leak on your appliance (smell of gas), move it to a well-ventilated, flame-free location where the leak may be detected and stopped. Check for leaks on your appliance outside. Do not use a flame to detect leaks; use soapy water. **ONLY USE IN WELL VENTILATED AREA. Accessible parts may become very hot.** Keep young children away. Stove must be operated on a horizontal surface, at least 1m/3.3ft away from any combustible materials. Do not move, lift, or tilt stove with lit burner(s).

SPECIFICATIONS

Gas category: Propane under vapor pressure. Use only with compatible Jetboil and Eureka! Propane stoves (sold separately) and compatible Jetboil cookware. It may be hazardous to attempt to fit other types of gas containers or cooking vessels.
Jet Size: 0.30mm **Gas Consumption (per burner):** 6.1 MJ/hr (AU) || 120 g/hr [1.7 kW] (EU) || 6,000 BTU/hr (CA)

ASSEMBLY

Refer to the following diagrams shown on Page 1 when assembling and operating LUNA:

1. Folded for storage
2. LUNA Ready for use
3. JetLink™ Connection
4. Cup attachment

Unwrap fuel hose from around LUNA burner (1.1) Deploy stabilizer legs (3x) to fully open position (1.2). Unfold valve control bail (2.1) and check that valve is closed (turn clockwise). Ensure JetLink™ Connection gasket (2.2) is in place and in good condition before connecting JetLink™ port on compatible Jetboil or Eureka! Stoves. Do not use this appliance if it has damaged or worn seals, or is leaking, damaged, or operating improperly. Insert LUNA fuel hose connector (3.1) into JetLink™ port (3.2) and tighten locking collar (3.1). Be sure LUNA and attached stove are on level, secure, cool surface.

OPERATION WARNINGS

Do not leave stove unattended while in use. Keep stove area clear and free from combustible materials, gasoline, and other flammable vapors and liquids. Do not obstruct the flow of combustion and ventilation air to the stove. Keep stove area clear and free from combustible materials, gasoline, and other flammable vapors and liquids. Check the seals before connecting a new gas container to the appliance. **The gas container/canister shall be changed in a well ventilated location, preferably outside, away from any sources of ignition, such as naked flames, pilots, electric fires, and away from other people.** If there is a leak on your appliance (smell of gas), take it outside immediately into a well ventilated, flame free location where the leak may be detected and stopped. If you wish to check for leaks on your appliance, do it outside. Do not try to detect leaks using a flame, use soapy water. Put some soapy water on the gas connection points between gas canister and the appliance, if bubble found, there is gas leakage. **DO NOT** fry or cook foods with low moisture content when using Jetboil 5L Flux Pot (1.3). If heating liquids near maximum capacity, use only low flame settings and exercise caution to prevent boil-over. Ensure a 1" minimum gap between Windscreen and any cookware used when Windscreen is attached. Use only windscreen provided with stove. Other windscreens can overheat the fuel cylinder. If you overheat the cylinder, it can explode.

OPERATING INSTRUCTIONS

Ignite burners before placing pot or cup on burner. Keep burner at arm's length, away from face, during ignition. Flame can erupt and flare during ignition. Never expose stove to flammable vapors or liquids while lighting the burner. **It can cause an explosion or fire.** The stove must not be exposed to flammable vapors or liquids during lighting.

Lighting the Burners: Test igniter (2.3) before opening valve. If a spark is not observed between Electrode (2.4) and Burner (2.5), refer to maintenance section. To light, open control valve (2.1) counterclockwise until fully opened and gas flow can be heard, then press igniter button (2.3) until flame is observed. Do not move, lift, or tilt burner while lit. Fuel can spray and cause flare-ups.

Cooking: Rotate control valve (2.1) clockwise to decrease flame setting. If using Jetboil FluxWare vessels (4), add liquid or liquid food to the pot before placing on burner - **DO NOT HEAT EMPTY COOKING POT.** Place cup on LUNA burner base (4), bottom of the pot will center on the grate to maximize heating performance. Pot support must be used when cooking with any flat bottom pot or pan.

STORAGE AFTER USE

Turn off control valves (2.1) (tighten clockwise) to extinguish flame to each burner. Detach cooking cup from burner base (4). **EXPOSED METAL PARTS MAY BE HOT. ALWAYS CHECK THAT THE BURNERS ARE EXTINGUISHED BEFORE DISCONNECTING THE FUEL CYLINDER.** Remove LUNA fuel line from JetLink™ Port (2). Allow stove to cool. Flip valve control bail (2.1) into closed position. Fold stabilizer legs into closed position (1.2). Slide fuel connection collar (1.3) toward LUNA-end of fuel line and wrap fuel line (1.2) around LUNA. For most compact storage, collar should be positioned as shown and JetLink™ connection (1.4) may be tucked inside plastic shroud. When folded properly, LUNA may be stowed within any compatible Jetboil vessel.

TROUBLESHOOTING AND MAINTENANCE

Do not modify this appliance. Modification of the product and/or using the product not in accordance with the instructions and recommended use may be hazardous and will void the warranty. This appliance must only be serviced by an authorized person. If an issue cannot be corrected using these instructions, see Limited Warranty below. Contact your local dealer, distributor, or Jetboil for parts and/or service. If stove is operating poorly, check mix tube to ensure that air holes are not blocked, and that the jet is not dirty or contaminated. Ensure that Fuel Input and JetLink™ Output ports are kept clean and debris-free at all times. If the stove flash back to the burner tube or lift, turn off stove, call supplier.

O-ring: If the O-ring (2.2) is damaged or cracked, contact your dealer or Jetboil for service.
Flame does not extinguish: Valve is damaged. Tighten valve as much as possible, blow out flame, and immediately detach fuel cartridge. Return to dealer.

Igniter fails to spark: If igniter will not spark, check positioning of electrode in relation to burner (2.5). Approximately 1/8" (3mm) length of igniter wire should protrude from the igniter ceramic (2.4). Wire should point toward center of burner with a 1/8" (3mm) gap between the end of the wire and the top surface of the burner. If not positioned as described, re-position the electrode accordingly. If igniter still fails to spark, use matches or a lighter. See your dealer or contact Jetboil for service. If stove is wet, igniter may fail to spark.