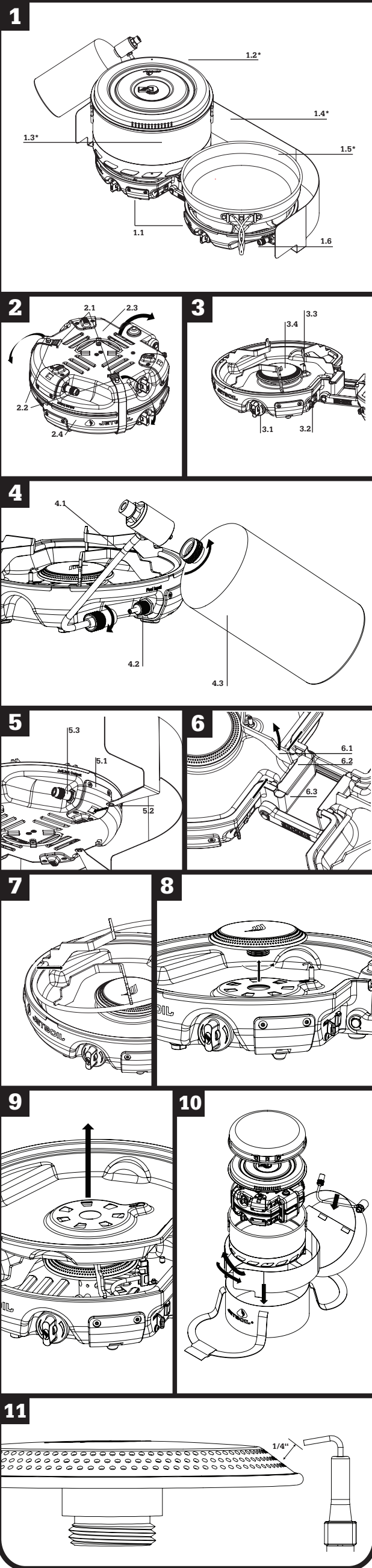




Model: GEN(X)

Instructions for use



(EN) ENGLISH

Important: Read these warnings and instructions for use carefully to familiarize yourself with the appliance before connecting it to its gas container. Keep these instructions for future reference. **USE OUTDOORS ONLY**

FOR YOUR SAFETY

FOR YOUR SAFETY

If you smell gas:

1. Do not attempt to light appliance.
2. Extinguish any open flame.
3. Disconnect from fuel supply.

FOR YOUR SAFETY

Do not store or use gasoline or any other liquids with flammable vapors in the vicinity of this or any other appliance.

CARBON MONOXIDE HAZARD

⚠ DANGER



CARBON MONOXIDE HAZARD

This appliance can produce carbon monoxide, which has no odor. Using it in an enclosed space can kill you. Never use this appliance in an enclosed space such as a camper, tent, car, or home.

If there is a leak on your appliance (smell of gas), move it to a well-ventilated, flame-free location where the leak may be detected and stopped. Check for leaks on your appliance outside. Do not use a flame to detect leaks, use soapy water. **ONLY USE IN WELL VENTILATED AREA. Accessible parts may become very hot.** Keep young children away. Stove must be operated on a horizontal surface, at least 1m/3.3ft. away from any combustible materials. Do not move, lift, or tilt stove with lit burner(s).

SPECIFICATIONS

Gas category: Propane under vapor pressure. This appliance should only be used with 16.4 oz disposable propane cylinders (sold separately). The LP-gas cylinder(s) used with this stove must be constructed and marked in accordance with the specifications for LP-gas cylinders of the U.S. Department of Transportation or Transport Canada, CAN/CSA B339. Refillable Bulk LP-Gas Tanks with a maximum capacity of 20 pounds may also be used with an optional bulk tank adapter hose (use Eureka! model 2572182 to connect to bulk tank). **Jet Size:** 0.39mm **Gas Consumption (per burner):** 10.4 MJ/hr (AU) || 210 g/hr (2.9 kW) (EU) || 10,000 BTU/hr (CA)

ASSEMBLY

Refer to the following diagrams shown on Page 1 when assembling and operating Genesis:

- | | |
|---------------------------------|----------------------------------|
| 1. Fully Assembled Stove System | 7. Grate Tab Removal |
| 2. Latched Stove System | 8. Burner Removal |
| 3. Burner Detail | 9. Drip Tray Removal |
| 4. Fuel Cylinder Attachment | 10. Packing Order |
| 5. Windscreen Attachment | 11. Proper Electrode Positioning |
| 6. Grate End Removal | |

Remove packed contents from bag (10). *Note that Strainer Lid (1.2), 5L Flux Pot (1.3) and 10" Fry Pan (1.5) are included only with the Genesis Stove System or sold separately as accessories. Place latched Stove (2) on a flat, level surface, and then gently pull rubber latches (2.1) free from plastic catches (2.2). Rotate the Top Stove (2.3) to open stove. Latches may be rotated under the Bottom Stove (2.4) if desired. Ensure that both control valves (3.1) are closed firmly (rotate clockwise). Check the seals (O-ring (4.1)) between the appliance and the gas container (cartridge). Do not use the appliance if it has damaged or worn seals. Do not use an appliance which is leaking, damaged, or which does not operate properly. Securely screw Fuel Regulator (4.1) to the Fuel Input port (4.2) located on the back of the Left Stove. Securely screw Propane Cylinder (4.3) into Fuel Regulator, in the orientation shown in (4). Never operate stove with Propane Cylinder in an inverted position. To attach Windscreen (1.4), press Windscreen arms into slots in four Bumpers (5.1) located on the back and sides of stove until the dimple (5.2) snaps into place inside each Bumper. Prior to initial use, remove plastic backing on both sides of Windscreen.

OPERATION WARNINGS

Do not leave stove unattended while in use. Keep stove area clear and free from combustible materials, gasoline, and other flammable vapors and liquids. Do not obstruct the flow of combustion and ventilation air to the stove. Check the seals before connecting a new gas container to the appliance. **The gas container/canister shall be changed in a well ventilated location, preferably outside, away from any sources of ignition, such as naked flames, pilots, electric fires, and away from other people.** If there is a leak on your appliance (smell of gas), take it outside immediately into a well ventilated, flame free location where the leak may be detected and stopped. If you wish to check for leaks on your appliance, do it outside. Do not try to detect leaks using a flame, use soapy water. Put some soapy water on the gas connection points between gas canister and the appliance. If bubble found, there is gas leakage. **DO NOT** fry or cook foods with low moisture content when using Jetboil 5L Flux Pot (1.3). If heating liquids near maximum capacity, use only low flame settings and exercise caution to prevent boil-over. Ensure a 1" minimum gap between Windscreen and any cookware used when Windscreen is attached. Use only windscreen provided with stove. Other windscreens can overheat the fuel cylinder. If you overheat the cylinder, it can explode.

OPERATING INSTRUCTIONS

Ignite burners before placing cookware on grates. Keep burner at arm's length, away from face, during ignition. Flame can erupt and flare during ignition. Never expose stove to flammable vapors or liquids while lighting the burner. **It can cause an explosion or fire.** The stove must not be exposed to flammable vapors or liquids during lighting.

Lighting the Burners: Test igniter (3.2) before opening valve. If a spark is not observed between Electrode (3.3) and Burner (3.4), refer to maintenance section. To light, open control valve (3.1) counterclockwise until fully opened and gas flow can be heard, then flip igniter lever (3.2) until flame is observed. Do not move, lift, or tilt burner while lit. Fuel can spray and cause flare-ups.

Cooking: Rotate control valve (3.1) clockwise to decrease flame setting. If using Jetboil 5L Flux Pot (1.3), add liquid or liquid food to the pot before placing on burner - **DO NOT HEAT EMPTY COOKING POT.** Set 5L Flux Pot on center of either cooking grate, bottom of the pot will center on the grate to maximize heating performance.

Expanding your cooking system: This stove comes equipped with a Patent-Pending JetLink™ fuel output port (1.6, 5.3), which provides regulated fuel to additional JetLink™-compatible stoves and accessories offered by Eureka! or Jetboil. The port is located on the side of the Right Stove. Refer to instructions accompanying JetLink™ accessories for their use. Do not attempt to use stoves or accessories that are not certified as JetLink™-compatible by Eureka! or Jetboil.

Cleaning Stove: Allow stove to cool before cleaning. Pinch tabs of Cooking Grate (6.1) together to release from Drip Tray (6.2) and Chassis (6.3). Lift up this end of Grate, and pull Tab (7) from under Drip Tray and Chassis. Set Grate aside. Un-screw Burner (8) by rotating counter-clockwise, taking caution not to bend the Electrode (3.3). Drip Tray (9) is now free to remove from Chassis.

Cleaning Grate / Drip Tray / 5L Flux Pot / 10" Fry Pan: Do not use a dishwasher or abrasive compounds to clean. Only wash by hand with soapy water.

STORAGE AFTER USE

Turn off control valves (3.1) (tighten clockwise) to extinguish flame to each burner. **EXPOSED METAL PARTS MAY BE HOT. ALWAYS CHECK THAT THE BURNERS ARE EXTINGUISHED BEFORE DISCONNECTING THE FUEL CYLINDER.** Disconnect Fuel Cylinder and then Fuel Regulator. Allow stove to cool, and store all components in Carry bag as shown (10). **Always disconnect fuel cylinder from Regulator after use.** Fuel cylinders can explode. Store fuel cylinders outdoors in a dry, well-ventilated area, away from heat, and out of reach of children.

TROUBLESHOOTING AND MAINTENANCE

Do not modify this appliance. Modification of the product and/or using the product not in accordance with the instructions and recommended use may be hazardous and will void the warranty. This appliance must only be serviced by an authorized person. If an issue cannot be corrected using these instructions, see Limited Warranty below. Contact your local dealer, distributor, or Jetboil for parts and/or service. If stove is operating poorly, check mix tube to ensure that air holes are not blocked, and that the jet is not dirty or contaminated. Ensure that Fuel Input and JetLink™ Output ports are kept clean and debris-free at all times. If the stove flash back to the burner tube or lift, turn off stove, call supplier.

Flame does not extinguish: Valve is damaged. Tighten valve as much as possible, blow out flame, and immediately detach fuel cartridge. Return to dealer.

Igniter fails to spark: If igniter will not spark, check positioning of electrode in relation to burner (11). If not positioned as shown in instructions, re-position the electrode accordingly. If igniter still fails to spark, use matches or a lighter. See your dealer or contact Jetboil for service. If stove is wet, igniter may fail to spark.