



# FIRST WATCH

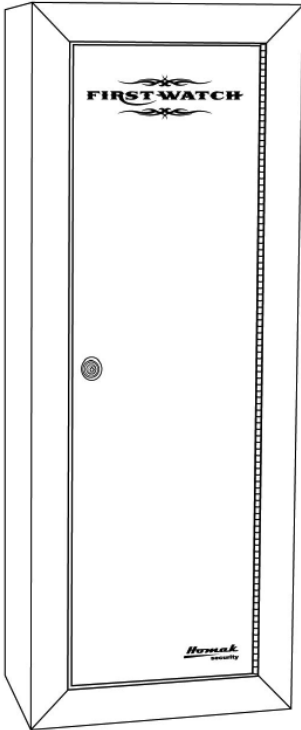


**Homak**  
security

---

OWNER'S MANUAL  
& OPERATING INSTRUCTIONS

---





8 GUN STEEL SECURITY CABINET

MODEL  
HS30120080 - BLACK  
HS30220080 - HUNTER GREEN

 **CAUTION:**  
Read all Instructions and safety tips before using this product.

This is not a toy. This is not intended for use by children.



THANK YOU FOR PURCHASING FIRST WATCH  
BY HOMAK SECURITY.  
WE APPRECIATE YOUR BUSINESS.



8 GUN STEEL SECURITY CABINET

MODEL

HS30120080 - BLACK

HS30220080 - HUNTER GREEN

---

Congratulations on your new purchase!

Inside your gun cabinet, you will find the following items:

- Foam components
- Plastic barrel rest kit
- Instruction manual
- (2) Keys
- 4 Screws
- 4 Washers

---

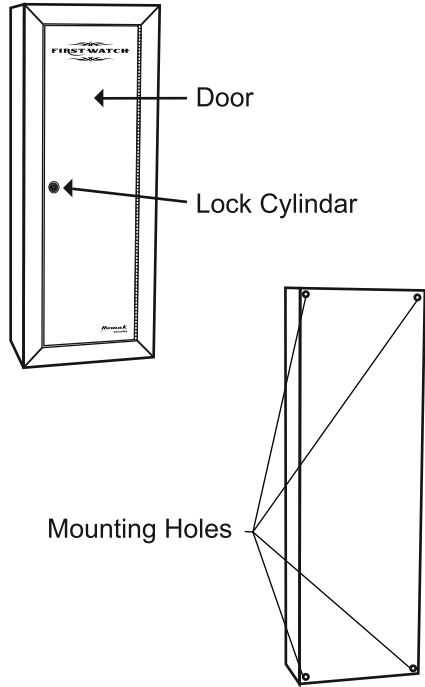
Locate this instruction manual and keep in a safe place after reading thoroughly. The factory key code can be found printed on the back page of this manual.

## MECHANICAL ASSEMBLY

### 1. Install the cabinet

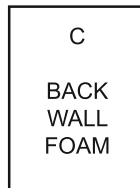
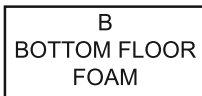
Locate the four washers and screws. Place the cabinet in a suitable location aligning the holes on the back of the cabinet with two studs in the wall that are 16" apart. Pre-drill the holes into the studs before permanently installing cabinet.

**NOTE:** This cabinet is not designed to be used without securing it to a wall or other surface. It may tip over.



### 2. Foam Components

The foam parts are shown below. Each part has been designed to fit into the cabinet in a particular place. Carefully, remove the paper backing revealing the adhesive backing and place according to the illustrations on the following page. Once the backing has been removed and the foam is attached to the wall it can not be removed without damage.



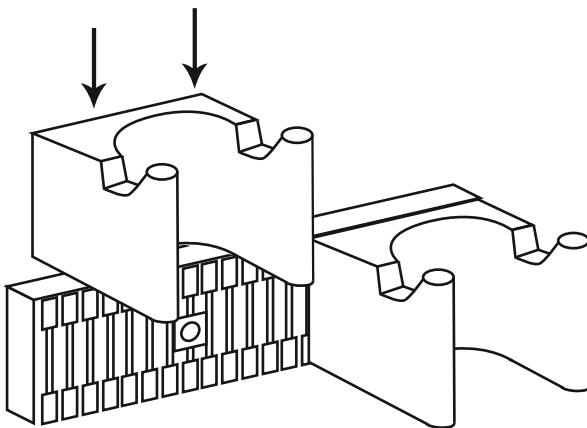
## FOAM INSTALLATION

1. Decide the height that you will place the barrel rest. From this measurement, cut the back wall foam into two pieces at the height that you will place the barrel rest. Any extra that is left may be placed above the barrel rest on the back wall.
2. Apply the foam liner (C) to the back of the cabinet by removing about 15" of paper at the bottom (C), exposing the adhesive. Press the foam liner into place- starting  $\frac{1}{2}$ " from the bottom of the cabinet. Continue to work upward, removing the paper and smoothing the foam into place as you go.
3. Remove the paper from barrel rest mounting bar (J) and place directly above (C) that was applied in step 2.
4. Place bottom foam pad (B) into bottom of unit. Any extra foam can be installed on the top of the shelf for extra protection.

---

## BARREL REST INSTALLATION

After the barrel rest mounting bar has been attached during the foam installation instructions, you may slide the barrel rests onto the mount bar in any position. They can be moved at any time.





### **SAFETY PRECAUTIONS:**

1. Never leave a loaded firearm in this safe. Some types of weapons may discharge easily, and even though this safe is all metal construction, a bullet may penetrate the steel wall.
2. Check and remove firearms contained in this safe before returning it to Homak or a Retail store. If the safe will not open, a certified locksmith may be able to open this product safely.
3. Always leave safe locked while on display in stores.
4. Not intended for use by children. Do not play on, in or around.
5. This is a heavy unit, lifting may require a fork lift. Trying to lift this product without the use of heavy lifting equipment may result in serious injury or death.



**This is not a toy. This is not intended for use by children.**

