



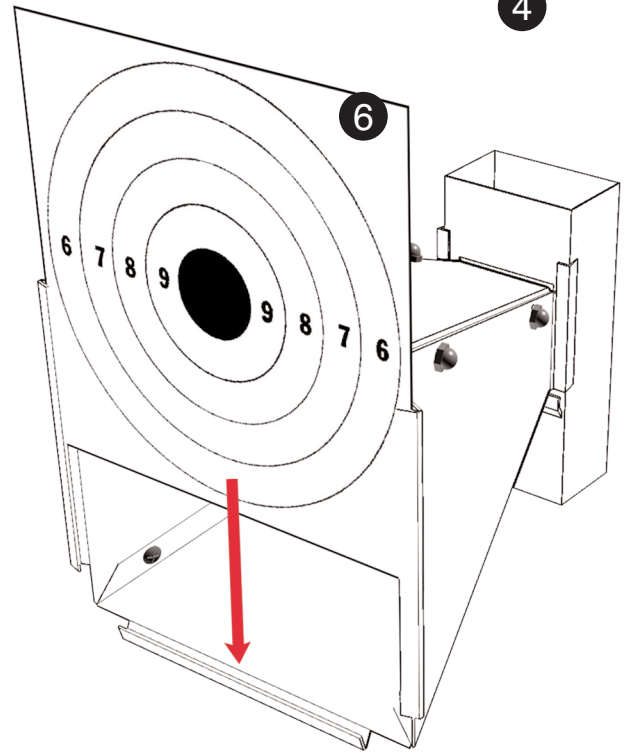
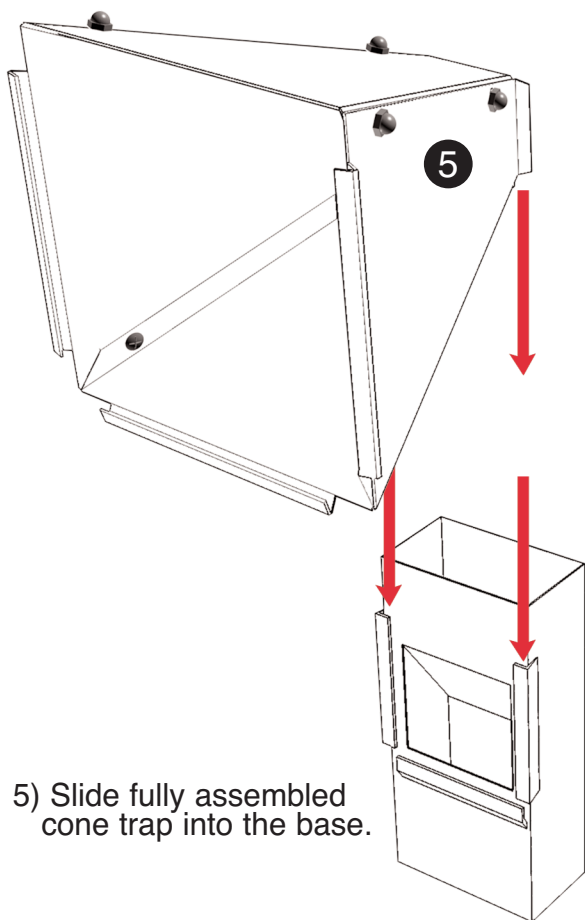
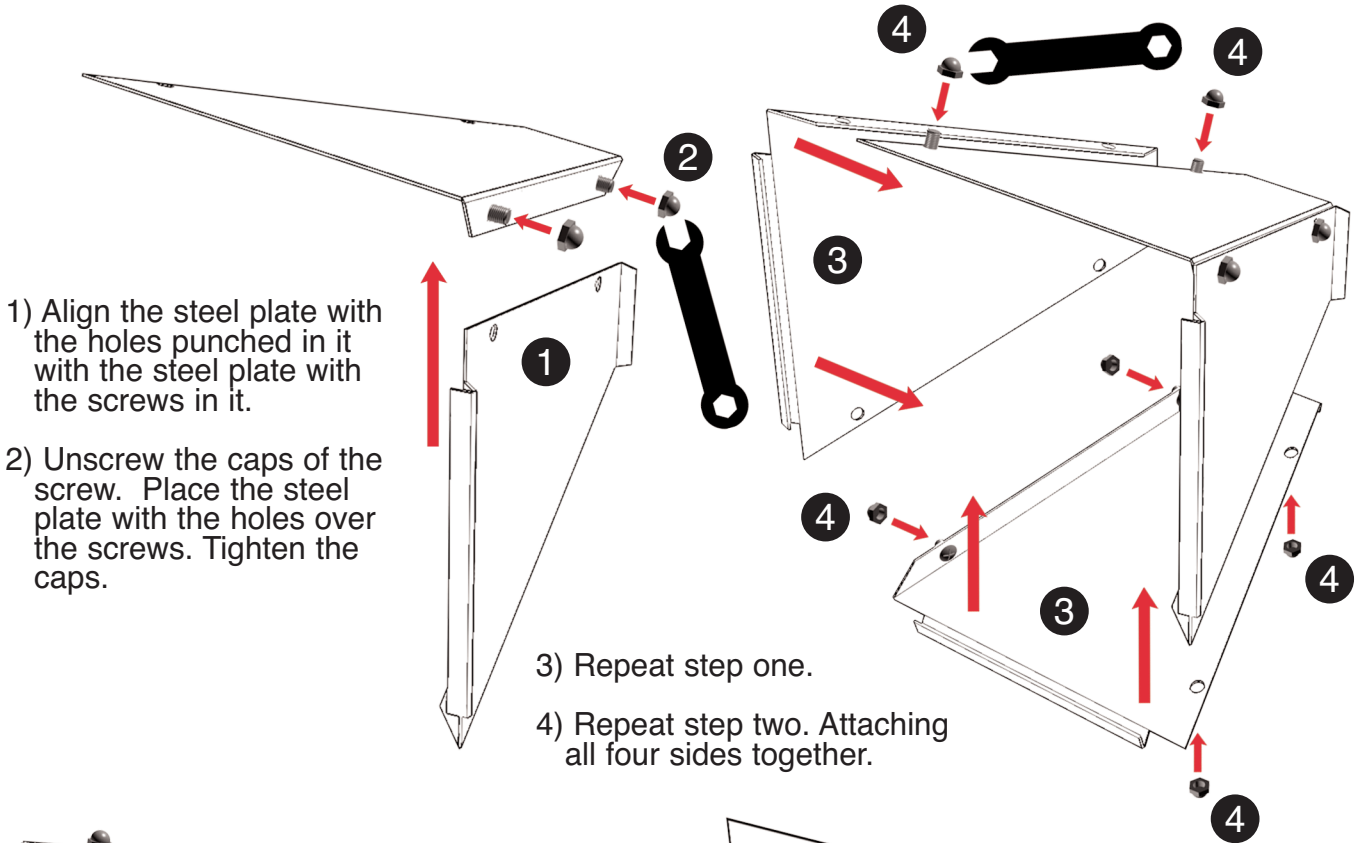
Adult precision airguns

# BACKYARD PELLET TRAP

## ASSEMBLY INSTRUCTIONS

- 1) Align the steel plate with the holes punched in it with the steel plate with the screws in it.
- 2) Unscrew the caps of the screw. Place the steel plate with the holes over the screws. Tighten the caps.

- 3) Repeat step one.
- 4) Repeat step two. Attaching all four sides together.



- 5) Slide fully assembled cone trap into the base.

- 6) Insert paper target into slots at the front of the cone trap. You are now ready to shoot.

- WARNING:** THIS PELLET TRAP IS DESIGNED FOR USE WITH LEAD AIRGUN PELLETS ONLY. DO NOT USE BBS. BBS WILL REBOUND AND RICOCHET AND CAN CAUSE PERMANENT INJURY, PARTICULARLY TO THE EYE.
- WARNING:** BE SURE THE AREA AROUND THE TARGET IS CLEAR AND SAFE IN CASE THE SHOOTER SHOULD MISS THE TARGET.
- WARNING:** ALWAYS WEAR PROTECTIVE SHOOTING GLASSES.
- CAUTION:** DO NOT USE WITH TARGET CLOSER THAN FIFTEEN (15) FEET TO THE SHOOTER BECAUSE PELLETS COULD FRAGMENT AND HIT THE SHOOTER.