

Futaba

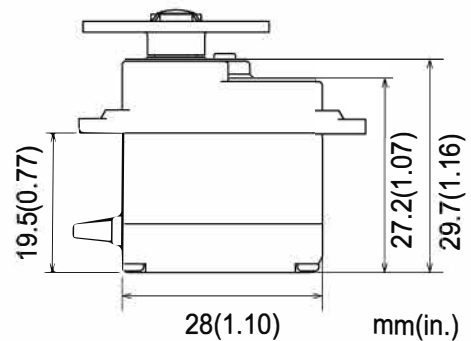
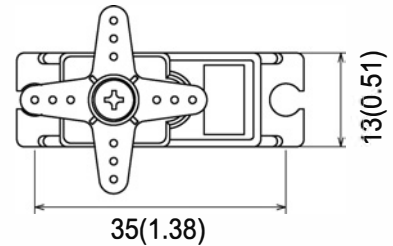
S3115

Micro Servo for Small Powered Models

*Specifications are subject to change without prior notice.

[RATINGS]

- Operating speed : 0.15 sec/60° at 4.8V
- Output torque : 2.8 kg·cm at 4.8V
(38.9 oz.·in. at 4.8V)
- Dimensions : 28 × 13 × 29.7 mm
(1.10 × 0.51 × 1.16 in.)
- Weight : 17.0 g (0.60 oz.)



USAGE PRECAUTIONS

The S3115 servo is a micro servo for small powered models. Pay special attention to the following points.

- Do not use S3115 servos with gas-high power engine models, large gliders or other models that require high torque.
- Using the supply voltage higher than 4.8V or applying high load to the servo will shorten the life.
- Always use the servo horn specially designed for this servo.
- Excessive force or shock to the servo horn may damage the ultra mini precision gears inside the servo.
- Never connect a battery in reverse. Otherwise, it may cause fire on the servo.
- To use multiple servos simultaneously, be sure to select the battery with a sufficient BEC capacity.