

⚠ WARNING

❗ **Turn on the power in transmitter → receiver order. In addition, always check the operation of all the servos before flight.**

⊘ **Do not insert or remove the servo connector while the receiver power is ON.**

Since the S.BUS servo switches the operation mode automatically according to the type of signal (S.BUS signal/PWM signal) from the receiver, if the connector is inserted or removed while the power is ON, an S.BUS connected servo will be erroneously recognized and may stop.

⊘ **Do not leave the servo in the locked state.** Leaving the servo in the locked state (state in which enough force is applied that the servo cannot move) may cause smoke, fire, and damage.

⊘ **Never connect the battery in reverse.** Reverse connection may cause smoke, fire, and damage.

⊘ **Do not expose the servo to dust and water.** The servo does not have a waterproof construction. If it gets wet, the servo may not operate or the power supply may short circuit.

❗ **For the servo which has a middle case of an aluminum heat sink construction: Install the servo so that it does not touch the servo case and metal parts of the fuselage.** It will generate a large amount of noise if touched. It will become impossible to receive and is extremely dangerous.

❗ **When installing the servo, check PUSHROD LINKAGE to make sure there is no binding** in order to prevent excessive power consumption and decrease the life of the motor and battery.

⚠ CAUTION

⊘ **Do not touch the servo case immediately after servo operation.** You may be burned because the motor and circuits inside the servo become hot.

⊘ **Do not turn the servo horn with unreasonable force.** The servo may be damaged.

⊘ **Do not disassemble or modify the servo.** The servo has a precision construction. Futaba Corp. will not be responsible for any disassembly or modification other than those specified by us.

⊘ **Do not drop the servo or expose it to strong shocks or vibrations.** It will damage with a shock.

❗ **Use the servo as an actuator in hobby applications.** Futaba will not be responsible if the servo is used in applications other than the above.

Futaba will not be responsible for damage, etc. caused by the use of parts other than Genuine Futaba parts.

• Current consumption

This servo is designed to be used with models which require especially high torque and high speed. For this reason, a large current flows during servo operation. Therefore, decide the safe number of uses by paying careful attention to the remaining battery capacity.

• Power supply

This servo is a high voltage (HV) specification. Use a power supply of ratings 6.0V-7.4V. Li-Fe battery (6.6V) is recommended. The specified performance cannot be displayed with a power supply of ratings 4.8V. Use a battery or a voltage regulator with an ample margin as the power supply. The specified performance cannot be displayed with a dry cell battery.

Even if using a receiver with the BATTERY FAIL SAFE function, it may not operate correctly. Therefore always check the battery voltage and charge the battery quickly.

When using 5 or more servos for large scale models, use a separate power supply. An S.BUS Hub with Cable (2-way/remote battery pack use) sold separately can be utilized for using a separate power supply in the S.BUS system.

• System use

For full performance, 2.4GHz system is recommended.

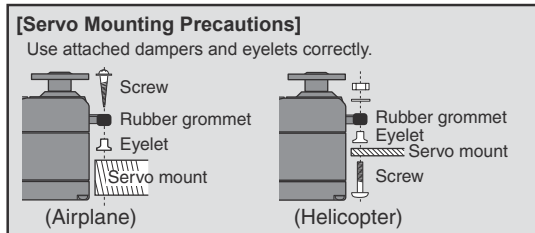
• Programming function

This servo can be connected to a PC by using the CIU-2 USB Adapter sold separately and its various operating characteristics can be changed as a programmable servo by means of dedicated software scheduled to be made public in the future. However, channel setting and other operating characteristics settings cannot be made with the existing S.BUS PCLink software. (As of March 2012)

In use of 18MZ transmitter, it is connecting an S.BUS servo and a power supply to the S.BUS setting connector of the transmitter back side, and it can set up on the screen of 18MZ. This servo does not have stop mode function. Therefore becomes as [hold] when the input signal of a servo stops. Depending on a setup, a servo carries out vibration. If a servo continues carrying out vibration, it will break, please restore a setup.

• Soft start

In order to protect the linkage, only the first operation when the power is turned on moves the servo to the specified position slowly. When a new control signal enters while the soft start is operating, it become normal operation at once.



About the S.BUS system

What is S.BUS?

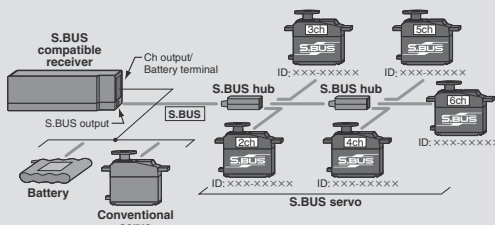
Different from conventional radio control systems the S.BUS system uses data communication to transmit control signals from a receiver to a servo, gyro, or other S.BUS compatible device.

This data includes commands such as "move the channel 3 servo to 15 degrees, move the channel 5 servo to 30 degrees" to multiple devices. The S.BUS devices execute only those commands for their own set channel. For this reason, it can be used by connecting multiple servos to the same signal line.

Many S.BUS servos is in the connected state, one servo of them can be set it up.

The ID code of each servo is used for it. ID code is indicated on the seal of the case. After carrying in a model, it is convenient, if you use attached ID seal and CH seal when ID cannot be seen.

[Connection by S.BUS system]



* Can also be used together with conventional servos.

* **Items required:** S.BUS receiver, S.BUS servo, S.BUS hub, SBC-1 channel changer or CIU-2 USB serial interface (It is possible also at 18MZ).

[Procedure for use with the S.BUS system]

1. Set the channel at the S.BUS servos.

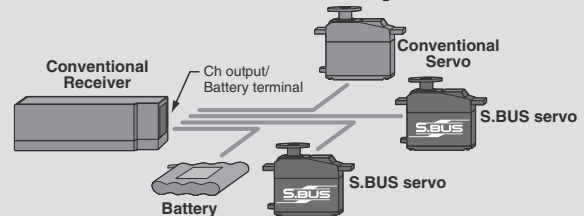
Set the channel at the S.BUS servos by using an S.BUS compatible receiver, an SBC-1 channel changer or CIU-2 USB serial interface (It is possible also at 18MZ).

* Refer to the S.BUS compatible receiver, the channel changer or setting program instruction manual for the S.BUS servo channel setting method.

2. Connect the servos to an S.BUS compatible receiver.

Connect the servos from the S.BUS port of the S.BUS compatible receiver via S.BUS hubs.

[Connection to conventional receiver]



* Operation is the same as that of a conventional servo.

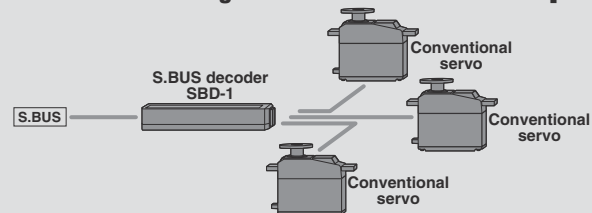
* **Items required:** Receiver, S.BUS servo, CIU-2 (if changing the servo settings)

[Operation by conventional radio control]

An S.BUS servo connected to a conventional receiver operates as a conventional servo. The channel becomes the receiver connection point.

*The contents set by programmable function are effective.

[Method of connecting conventional servo to S.BUS]



* **Items required:** S.BUS receiver, SBD-1 S.BUS decoder, servo, SBC-1 channel changer or CIU-2 USB serial interface

[Connecting conventional servos to the S.BUS]

Conventional servos can be connected to the S.BUS by using an SBD-1. The servo channel is set at the SBD-1.

* Refer to the SBD-1 instruction manual for the SBD-1 channel setting method.

Futaba

High Voltage System



HV S3072HV

S3072HV

Digital
Standard

● **SPEED**

0.17 sec/60° at 6.6V

0.15 sec/60° at 7.4V

● **TORQUE**

5.8 kgf · cm at 6.6V
(80.6 ozf · in at 6.6V)

6.5 kgf · cm at 7.4V
(90.3 ozf · in at 7.4V)

● **SIZE**

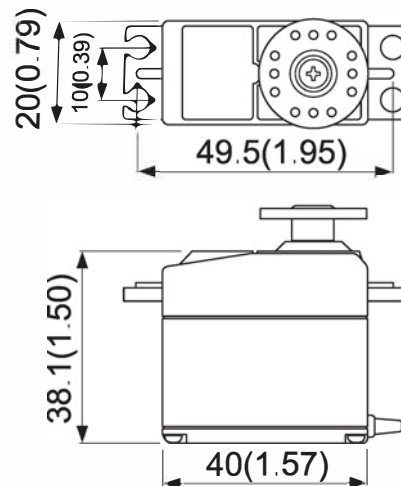
40 × 20 × 38.1 mm
(1.57 × 0.79 × 1.50 in)

● **WEIGHT**

42g (1.48oz)

● **POWER SUPPLY**

DC 6.0V~7.4V



Unit : mm(in)

No dry battery use