

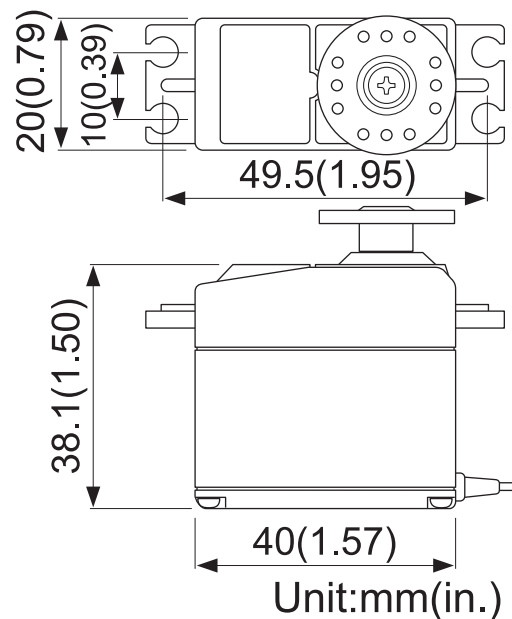
Futaba®

S3010

S3010 High Torque Servo

- **SPEED**
0.16 sec/60° at 6.0V
- **TORQUE**
6.5 kgf·cm at 6.0V
(90.3 ozf·in at 6.0V)
- **SIZE**
40 × 20 × 38.1 mm
(1.57 × 0.79 × 1.50 in)
- **WEIGHT**
41 g (1.45 oz)

No dry battery use



Do not leave servo stalled.

Stall may cause printed circuit board to burn.

FUTABA CORPORATION

This product contains a chemical known to the State of California to cause cancer and birth defects (or other reproductive harm.)